

**INSTALLATION INSTRUCTIONS  
USER GUIDE**

**Built-in integrated cooker hood**

HP90IHCB3 model

**GB IE**

***Fisher & Paykel***



# CONTENTS

---

Introduction	3
Safety and warnings	4
Installation instructions	7
About your cooker hood – Energy efficiency	15
Operating instructions	16
Cleaning and maintenance	17
Parts and accessories	18
Manufacturer's Warranty	19
Customer Care	20

---

## **IMPORTANT!**

### **SAVE THESE INSTRUCTIONS**

The models shown in this user guide may not be available in all markets and are subject to change at any time. For current details about model and specification availability in your country, please go to our website [www.fisherpaykel.com](http://www.fisherpaykel.com) or contact your local Fisher & Paykel dealer.

## **Registration**

Register your product with us so we can provide you with the best service possible.

To register your product visit our website: [www.fisherpaykel.com](http://www.fisherpaykel.com)



# INTRODUCTION

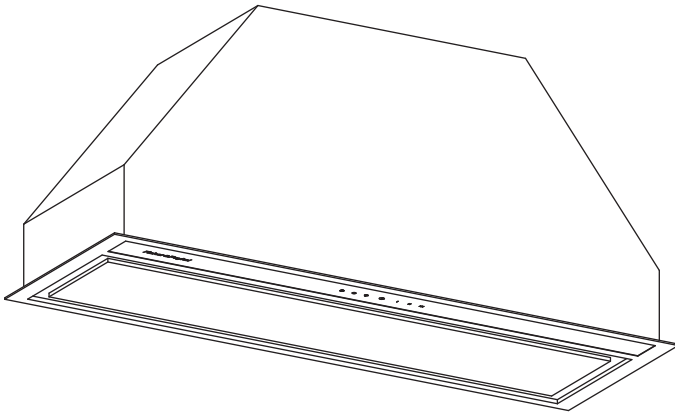
---

Thank you for purchasing a Fisher & Paykel product.

Thousands of hours go into the design, engineering, testing and perfecting of each Fisher & Paykel appliance. The care and attention given to creating these beautiful products doesn't stop once it has found its home with you.

This use and care manual will answer most of your questions about the set-up, use and on-going maintenance of your Fisher & Paykel product; however if you require further information about your product and its use please consult our website for solutions and further contact information to discuss with a service representative.

To ensure you receive all relevant product updates and the best service possible, please register your Fisher & Paykel products through our website.



**⚠ WARNING!**



**Weight Hazard**

The cooker hood is heavy. Please ensure adequate care is taken when installing the cooker hood to prevent personal injury. The cooker hood must be installed onto a solid wall, stud, beam or truss. Weight of the product is 10.5 kg.

**⚠ WARNING!**



**Electric Shock Hazard**

Always disconnect the appliance from the mains power supply before carrying out any maintenance or repairs. Alterations to the domestic wiring system must only be made by a qualified electrician. Failure to follow this advice may result in electrical shock or death.

## IMPORTANT SAFETY INSTRUCTIONS

### WARNING!

When using this appliance always exercise basic safety precautions including the following:

- Please read the entire set of instructions before installing the cooker hood.
- This appliance can be used by children aged from 8 years or above and persons with reduced physical, sensory or mental capabilities or lack of experience or knowledge if they have been given supervision or instruction concerning use of the appliance in a safe

way and understand the hazards involved. Children shall not play with the appliance. Cleaning and user maintenance shall not be made by children without supervision.

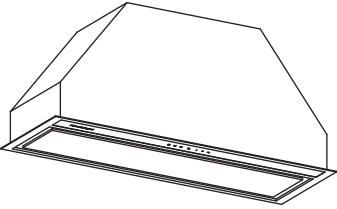
- **The installation of Fisher & Paykel cooker hoods must comply with the information in this guide. Failure to install the cooker hood in accordance with these installation instructions may result in electrical hazards, injury, and damage to your appliance and loss of warranty. Failure by the installer to install the screws or fixing devices in accordance with these installation instructions may result in electrical hazards. Please install the appliance as detailed in these instructions.**
- **There shall be adequate ventilation of the room when the cooker hood is used at the same time as appliances burning gas or other fuels.**
- **You must read the details concerning the method and frequency of cleaning.**
- **There is a fire risk if cleaning is not carried out in accordance with the instructions.**
- **Do not flambé under the cooker hood.**
- **Exhaust air must not be discharged into an existing flue that is used for exhausting fumes from appliances burning gas or other fuels.**
- **The minimum distance between the supporting surface for cooking vessels on the hob and the lowest part of the cooker hood shall be 600 mm, or 650 mm if installed over a gas hob.**
- **Attention should be given to ensure that any applicable regulations concerning the discharge of exhaust air is fulfilled.**

- **If the supply cord of this equipment is damaged it must only be replaced by the manufacturer, its service agent or similarly qualified person in order to avoid a hazard.**
- **Always switch the power off prior to installation, servicing or cleaning the cooker hood.**
- **Never use the cooker hood without the filters in place.**
- **Stainless steel or powdercoat is very easily damaged during installation if abraded or knocked by tools. It is recommended to protect the top of the cooker hood with cardboard or plastic bag during the installation to minimise the risk of damage occurring.**
- **To reduce the risk of damage occurring to hob, it is recommended that the surface of the hob is protected with cardboard or a similar object during installation of the cooker hood.**
- **A power outlet should be within 750 mm of the motor assembly and can be either on the wall, behind the chimney or in the ceiling.**
- **To comply with electrical safety regulations, this cooker hood must be plugged into a socket near the appliance. The socket must be accessible, or have an accessible isolating switch, to enable the end user to isolate the cooker hood from the power for the purpose of internal cleaning or maintenance.**
- **Ducting accessories are not supplied. All ducting must comply with local requirements and building codes.**
- **CAUTION: accessible parts may become hot when used with cooking appliances.**



# INSTALLATION INSTRUCTIONS

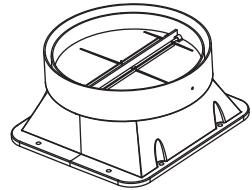
## Contents of packaging



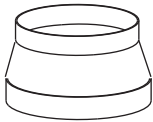
Cooker hood  
(1)



Installation instructions  
User guide manual  
(1)



150 mm ducting adapter  
with non return flap  
(1)



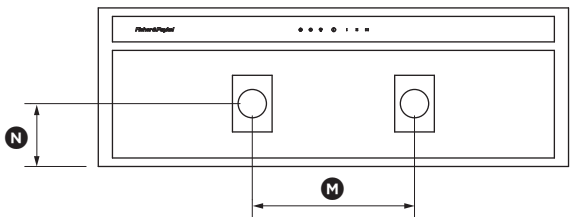
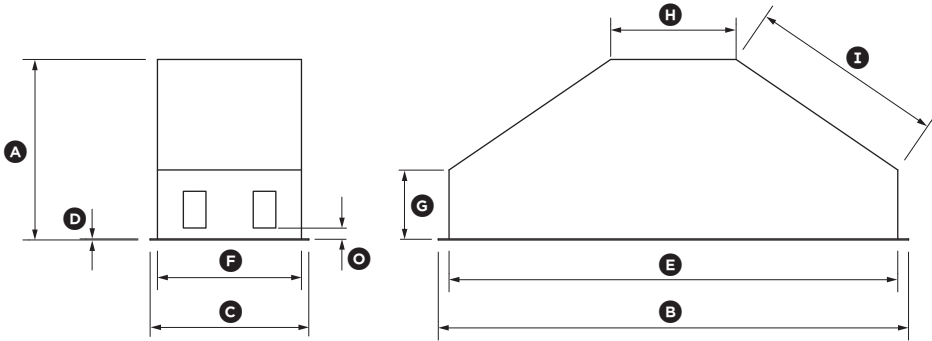
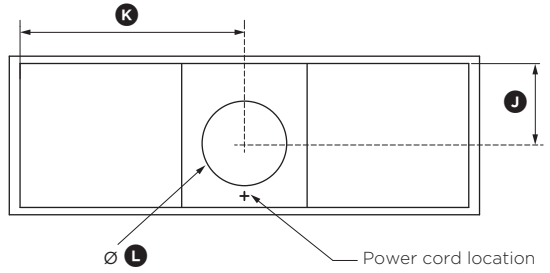
125 mm ducting  
adapter (1)



9 x 13 mm screw  
(2)

# INSTALLATION INSTRUCTIONS

## Product and cabinetry cutout dimensions



# INSTALLATION INSTRUCTIONS

**HP90IHCB3**

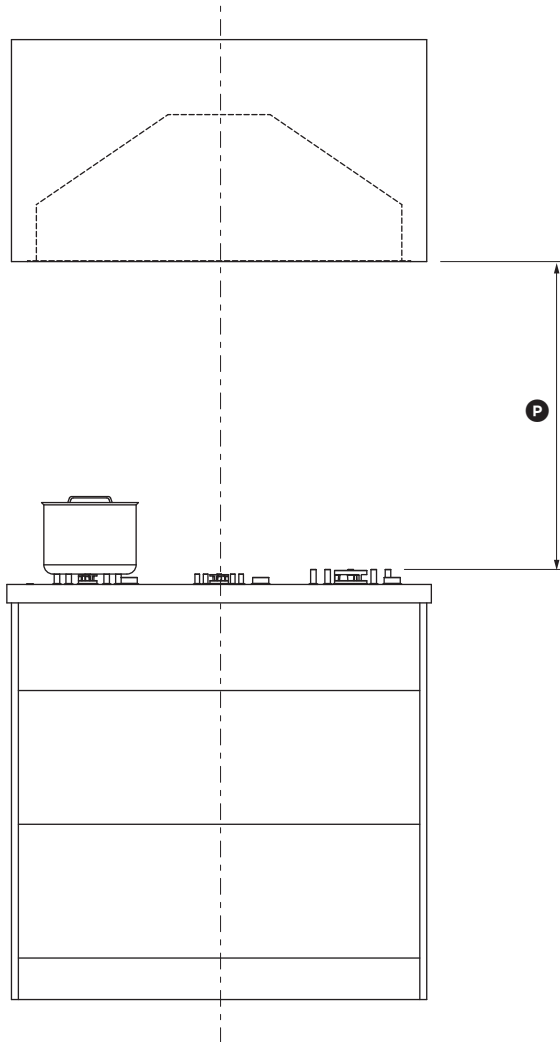
<b>PRODUCT DIMENSIONS</b>	
	<b>mm</b>
(A) Overall height of product	315
(B) Overall width of product	830
(C) Overall depth of product	280
(D) Thickness of flange	2
(E) Width of chassis	790
(F) Depth of chassis	255
(G) Height of side of chassis	120
(H) Width of top surface of chassis	220
(I) Length of angled surface of chassis	335
(J) Distance from centre of ducting outlet to back of chassis	145
(K) Distance from centre of ducting outlet to side of chassis	395
(L) Diameter of ducting outlet	150
(M) Distance between centre of lights	285
(N) Distance from centre of light to back of product	115
Length of power cord	750
<b>CABINETRY CUTOUT DIMENSIONS</b>	
Overall width of cutout	800
Overall depth of cutout	260
(O) Base of brackets/clips to bottom of chassis	min. 15 - max. 40

## **IMPORTANT!**

**Actual product dimensions may vary by  $\pm 2$  mm.**

# INSTALLATION INSTRUCTIONS

## Height of cooker hood



---

### MINIMUM CLEARANCES

---

---

**mm**

---

- Ⓟ Height top of hob to base of product  
Electric hob  
Gas hob
- 

min. 600 – max. 750  
min. 650 – max. 750

---

# INSTALLATION INSTRUCTIONS

## **Venting options**

Attention should be given to ensure that any applicable regulations concerning the discharge of exhaust air are fulfilled.

The cooker hood can be installed to operate with the exhaust air ducted externally from the kitchen, or installed to operate with the exhaust air recirculating within the kitchen.

### **Ducted**

For ducted installation it is recommended that 150 mm diameter, rigid or semi-rigid ducting is used. This will require a 160 mm (min) round hole in the ceiling or wall. Care should be taken to position the hole correctly.

For optimal efficiency, use rigid or semi-rigid ducting for reduced noise and increased airflow. Flexible ducting should only be used as a last resort (ie in difficult installations) and if used, ensure that it is pulled tight.

### **Recirculating**

This cooker hood can be installed to operate in recirculation mode, where ducting outside is not a practical option. Ensure that the top ducting outlet is not obstructed. Even a partial obstruction will restrict the efficiency of the cooker hood. To enable the product to operate with the air recirculating, please purchase carbon filters (refer to 'Parts and Accessories'). The carbon filters are required to remove odours.

# INSTALLATION INSTRUCTIONS

## Installation

### **WARNING!**

This product is heavy and requires two persons for installation.

### **WARNING!**

Failure to install the screws or fixing device in accordance with these instructions may result in electrical hazards.

The manufacturer is not liable for any damage caused by not following these instructions.

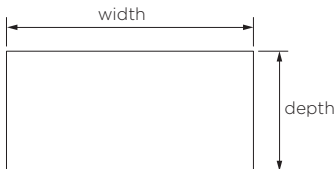
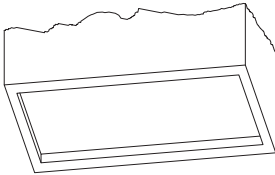
#### ① Prepare for installation.

Before installing your cooker hood:

- Please read the instructions carefully.
- Unpack the cooker hood and check that all functions are working.
- Ensure that the voltage (V) and the frequency (Hz) indicated on the serial plate match the voltage and frequency at the installation site.
- The stainless steel and glass surfaces of the cooker hood are very easily damaged during installation if grazed or knocked by tools. Please take care to protect the surfaces during installation.
- Protect the hob surface below with cardboard, or the like, to prevent damage occurring whilst the cooker hood is being installed above.

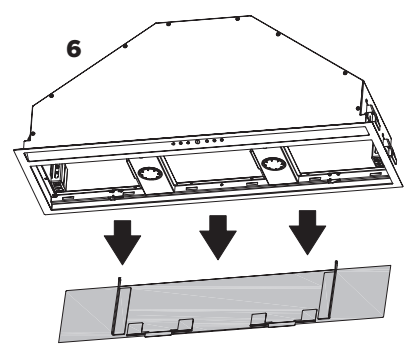
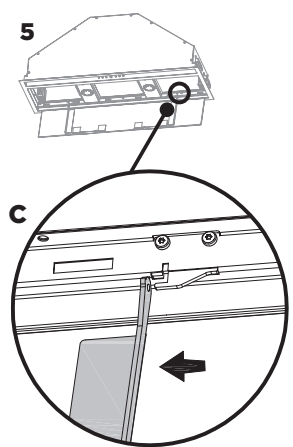
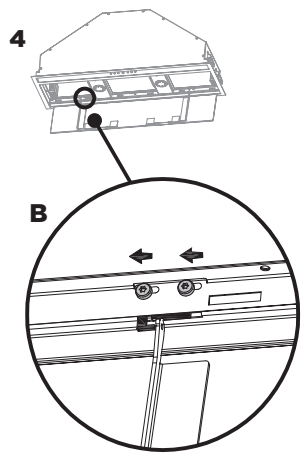
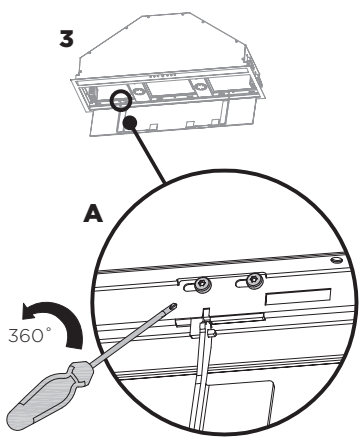
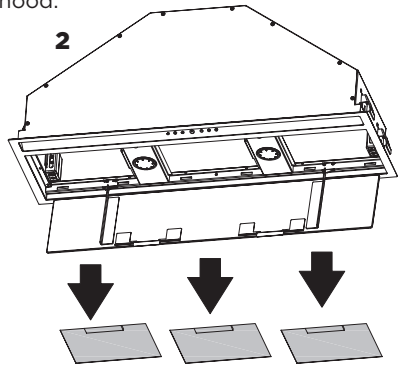
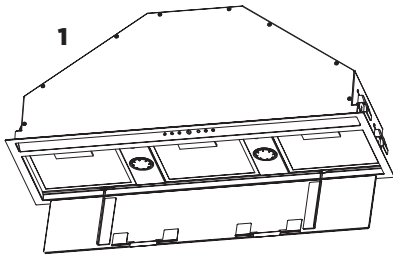
#### ② Fit the 150 mm ducting adapter with non return flap to the cooker hood using the screws supplied.

#### ③ Provide an opening on the underside of the cupboard (see product and cabinetry cutout dimensions).



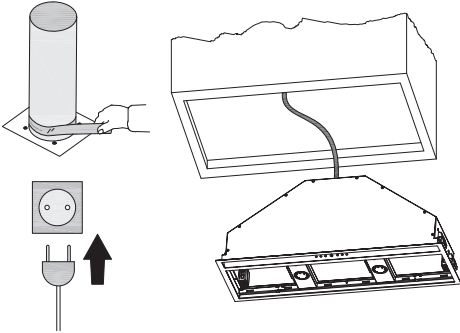
# INSTALLATION INSTRUCTIONS

- ④ Remove the filters and face plate of the cooker hood.

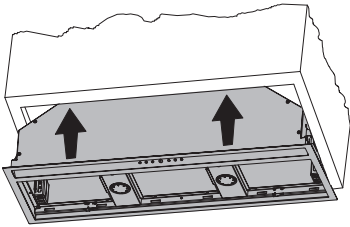


# INSTALLATION INSTRUCTIONS

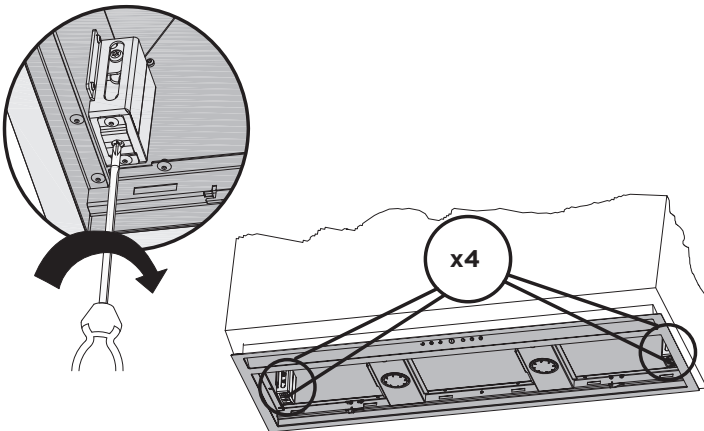
- ⑤ Connect duct and plug cooker hood in.



- ⑥ Lift the cooker hood and fit through the opening of the cupboard till the spring loaded brackets/clips hold the product in place.



- ⑦ Secure cooker hood while tightening the 4 brackets/clips.





## ABOUT YOUR COOKER HOOD - ENERGY EFFICIENCY

### Product Fiche EN61591

<b>MODEL</b>	<b>HP90IHCB3</b>
Annual Energy Consumption (kWh/annum)	32.2
Time Increase Factor	1
Energy Efficiency Index	52.8
Energy Efficiency Class	A
Fluid Dynamic Efficiency	28.5
Fluid Dynamic Efficiency Class	A
Lighting Efficiency	16.1
Lighting Efficiency Class	C
Grease Filtering Efficiency	91.2
Grease Filtering Efficiency Class	B
Airflow at Min. Speed (m <sup>3</sup> /hr)	200
Airflow at Max. Speed (m <sup>3</sup> /hr)	525
Airflow at Boost Speed (m <sup>3</sup> /hr)	710
Airborne noise at minimum (dB)	40
Airborne noise at maximum (dB)	64
Airborne noise at Boost (dB)	67
Airflow At Best Efficiency Point (m <sup>3</sup> /hr)	348.4
Electrical Power Input At Best Efficiency Point (W)	76.1
Lighting Nominal Power (W)	7
Lighting Average Illumination (lux)	113
Power consumption in Off mode (W)	0.41
Power consumption in Standby mode (W)	0.41

# OPERATING INSTRUCTIONS

## Touch control panel



### CONTROL PANEL FEATURES

	<b>Power on/off</b>	Turn the cooker hood on or off. The fan automatically turns on to operate at level 1.
	<b>Fan speed 1 - 4</b>	Adjust the fan speed levels from 1 - 4 with 1 being the lowest level and 4 being the highest. The fan speed level icon illuminates red when selected.
<b>BOOST</b>	<b>Boost</b>	Turn the fan onto boost speed. The icon flashes red when it is on. The cooker hood will operate on boost speed for 5 minutes and will then revert to speed 4.
	<b>Timer</b>	Turn the timer on. The fan operates for 5 minutes at the current speed and each descending speed before turning off. The timer icon flashes red when the filters need cleaning. To reset the timer press the button and it will stop flashing and begin counting again.
	<b>Lights on/off</b>	Turn the lights on or off. The lights turn on to the last level selected.
<b>-</b>	<b>Reduce lighting level</b>	Press once to adjust the light to the lowest level. The icon illuminates red when on the lowest level. Press and hold to progressively dim the light level.
<b>+</b>	<b>Increase lighting level</b>	Press once to adjust the light to the highest level. The icon illuminates red when on the highest level. Press and hold to progressively increase the light level.

# CLEANING AND MAINTENANCE

## IMPORTANT!

**Never use abrasive or oil based cleaners**

### General maintenance

Before performing any cleaning or maintenance on your cooker hood, ensure that the power supply is switched off to the hood.

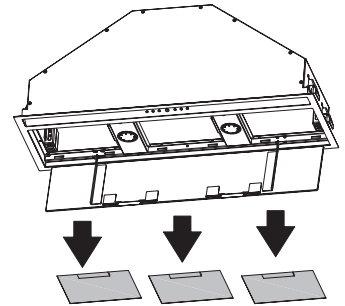
The cooker hood should be cleaned regularly using a mild, liquid detergent to avoid a build up of grease occurring. Grease deposits are corrosive which can cause damage to your cooker hood.

Note: in areas of high humidity or coastal environments, cleaning should be carried out more frequently.

### Aluminium filters

- Depending on use, and at least once a month, the aluminium grease filters should be removed and cleaned with hot soapy water or in a dishwasher.
- If washed in a dishwasher, the filters should be placed in an upright position to prevent food from falling on them.
- After rinsing and drying, replace the filters.

Note: some discolouration of the frames may occur.



### Removing the aluminium filters:

- ① Open the glass panel.
- ② Pull the relative filter catch, tilting it downwards until it disengages from the supports.
- ③ Reverse these instructions when refitting the filters.

### Carbon filters – for use in recirculation mode

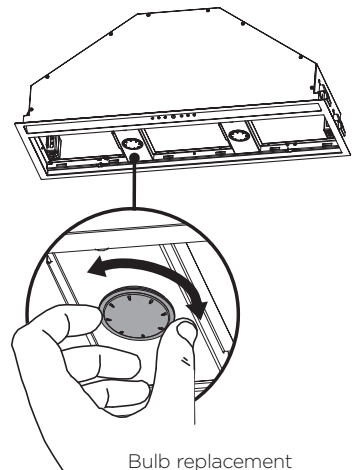
Active carbon filters are disposable items designed to remove grease and odours from cooking vapours before the air is channelled back into the kitchen. The active carbon filters must be replaced periodically to work properly, at least once every three months, depending on the frequency with which the cooker hood is used.

Note: fully saturated carbon filters can become a barrier to air movement therefore limiting cooker hood performance. In the event of fire, grease laden filters could be flammable and therefore regular replacement is recommended.

### Light bulb replacement

Please note replacement bulbs are not covered by warranty.

- ① Open the glass panel.
- ② Remove the aluminium filters.
- ③ Unscrew the light bulb.
- ④ Insert the replacement bulb into the lamp socket.
- ⑤ Replace the aluminium filters.
- ⑥ Replace the glass panel.



## PARTS AND ACCESSORIES

<b>ITEM</b>	<b>REFERENCE NUMBER</b>
LED bulb x2	792556
Aluminium filter	792429
Recirculation carbon filter	50031
Ducting 150 mm kit (eaves)	50033
Ducting 150 mm kit (wall)	50034

# MANUFACTURER'S WARRANTY

---

You automatically receive a 2 year Manufacturer's Warranty with the purchase of this Built-in integrated cooker hood covering parts and labour for servicing within the United Kingdom and Ireland.

## **Fisher & Paykel undertakes to:**

Repair or, at its option, replace without cost to the owner either for material or labour any part of the product, the serial number of which appears on the product, which is found to be defective within TWO YEARS of the date of purchase.

Note: this Manufacturer's Warranty is an extra benefit and does not affect your legal rights.

## **This Manufacturer's Warranty DOES NOT cover**

- (A) Service calls which are not related to any defect in the product. The cost of a service call will be charged if the problem is not found to be a product fault. For example:
  - ① Correcting the installation of the product.
  - ② Instructing you how to use the product.
  - ③ Replacing house fuses or correcting house wiring or plumbing.
  - ④ Correcting fault(s) caused by the user.
  - ⑤ Noise or vibration that is considered normal, eg drain/fan sounds, refrigeration noises or user warning beeps.
  - ⑥ Correcting damage caused by pests, eg rats, cockroaches, etc.
  - ⑦ Replacement light bulbs.
- (B) Defects caused by factors other than:
  - ① Normal domestic use; or
  - ② Use in accordance with the product's user guide.
- (C) Defects to the product caused by accident, neglect, misuse or 'act of God'.
- (D) The cost of repairs carried out by non-authorized repairers or the cost of correcting such unauthorised repairs.
- (E) Normal recommended maintenance as set out in the product's user guide.
- (F) Repairs when the appliance has been dismantled, repaired or serviced by other than a Fisher & Paykel Authorised Repairer or the selling dealer.
- (G) Pick-up and delivery.
- (H) Transportation or travelling costs involved in the repair when the product is installed outside the Fisher & Paykel Authorised Repairer's normal service area.

This product has been designed for use in a normal domestic (residential) environment. This product is not designed for commercial use (whatsoever). Any commercial use by a customer will affect this product's Manufacturer's Warranty.

Service under this Manufacturer's Warranty must be provided by a Fisher & Paykel Authorised Repairer (refer to the 'Customer Care' section at the back of this book). Such service shall be provided during normal business hours. This Manufacturer's Warranty certificate should be shown when making any claim.

**Please keep this user guide in a safe place.**

## CUSTOMER CARE

---

### **Before you call for service or assistance...**

Check the things you can do yourself. Refer to your user guide and check that:

- ① Your product is correctly installed.
- ② You are familiar with its normal operation.

If after checking these points you still need assistance or parts, please refer to your nearest Authorised Service Centre, Customer Care, or contact us through our local website listed on the back cover.

### **In United Kingdom if you need assistance...\***

Call the Fisher & Paykel Customer Care Centre and talk to one of our Customer Care Consultants.

**Phone:** 08000 886 605

**Fax:** 08000 886 606

**Website:** [www.fisherpaykel.com](http://www.fisherpaykel.com)

**Postal address:** Fisher & Paykel Appliances Ltd, Maidstone Road, Kingston, Milton Keynes, Buckinghamshire, MK10 OBD

### **In Ireland if you need assistance...\***

**Phone:** 1800 625 174 or 01-8077960

**Fax:** 1800 635 012

**Website:** [www.fisherpaykel.com](http://www.fisherpaykel.com)

**Postal address:** Fisher & Paykel Appliances, Unit D2, North Dublin Corporate Park, Swords, Co. Dublin

\*If you call, write or contact our website please provide: your name and address, model number, serial number, date of purchase and a complete description of the problem. This information is needed in order to better respond to your request for assistance.

**Product details can be found on the inside of the chassis. The filter needs to be removed to be able to see them.**

### **Registration**

Register your product with us so we can provide you with the best service possible. To register your product visit our website: **[www.fisherpaykel.com](http://www.fisherpaykel.com)**

## CUSTOMER CARE

---

Complete and keep for safe reference:

Model \_\_\_\_\_

Serial No. \_\_\_\_\_

Purchase Date \_\_\_\_\_

Purchaser \_\_\_\_\_

Dealer \_\_\_\_\_

Suburb \_\_\_\_\_

Town \_\_\_\_\_

Country \_\_\_\_\_

[www.fisherpaykel.com](http://www.fisherpaykel.com)

Copyright © Fisher & Paykel 2015. All rights reserved.  
The product specifications in this booklet apply to the specific products and models described at the date of issue. Under our policy of continuous product improvement, these specifications may change at any time. You should therefore check with your dealer to ensure this booklet correctly describes the product currently available.

**GB IE**

104040 A 04.15