

20.1 cu ft Series 7 French Door Refrigerator Freezer, Ice

Series 7 | Contemporary

Stainless Steel | French hinge

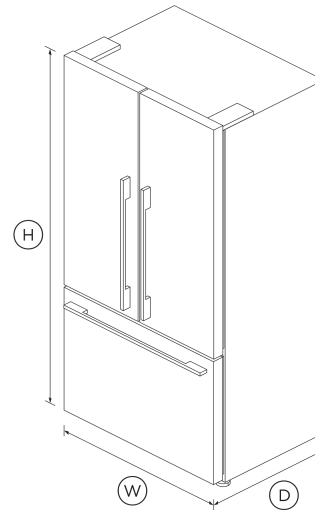


Designed for those who need plenty of flexible space. Counter-depth design, with a stylish stainless steel finish for a seamless look.

- ActiveSmart™ Foodcare technology helps keep food fresher for longer
- Counter-depth design with flat door, for streamlined look
- Brushed metal handles

DIMENSIONS

Height	70 15/32 "
Width	35 7/16 "
Depth	27 3/8 "



FEATURES & BENEFITS

Activesmart™ Foodcare

This refrigerator freezer adapts to daily use by cooling and defrosting only when needed. ActiveSmart™ Foodcare technology uses energy efficiently without compromising on food care.

Flexible Storage

Adjustable shelves and door storage give you plenty of room to stack and pack all your groceries. Storage bins give you full access inside when they're pulled open and can be easily removed to clean.

Humidity Control

Your fruit and veges need different environments to stay fresh. Humidity control in each storage bin allows you to maintain a microclimate that helps keep food fresher for longer.

Design Quality

Our fridges are designed and built using quality materials. We use real stainless steel on our fridges and solid glass for shelving.

Internal Ice Maker

Fresh ice is always available for you in a dedicated freezer bin. Simply turn it off to free up freezer space or during busy times, you can boost ice production by up to 30%.

Easy Cleaning

Spill-safe secure glass shelves easily capture any drips or leaks and prevent them from falling on items below.

Easy to use

The SmartTouch control panel has been designed to be intuitive for ease to use, and is conveniently placed near the front of the fridge.

SPECIFICATIONS

Capacity

Total gross capacity	20.1 cu ft
Volume freezer	5.5 cu ft
Volume refrigerator	14.6 cu ft

Consumption

Energy rating	Energy star
Energy usage	532kWh/year

In-use energy carbon emissions estimate **195.0kgCO2e/year**

- Frost Free Freezer
- Humidity control system
- Inverter controlled compressor
- Sabbath mode

- ↓ [Water Filter Replacement Instructions - Parts 862285 and 862288 - EN](#)
- ↓ [Installation Guide Refrigerator Freezer EN](#)
- ↓ [Water Filter Replacement Instructions - Parts 847200 and 847201 - FR](#)
- ↓ [Water Filter Replacement Instructions - Parts 862285 and 862288 - FR](#)
- ↓ [User Guide Refrigerator Freezer EN](#)
- ↓ [User Guide Refrigerator Freezer FR](#)

Features

- Adjustable door shelves **6**
- Adjustable glass shelves **3**
- Covered door shelves **2**
- Deli storage bins **2**
- Door alarm **•**
- Fruit and vegetable bins **2**
- LED lighting **•**
- Smart appliance **•**
- SmartTouch control panel **•**
- Soft close doors **•**
- Stackable bottle holders **4**

Product Dimensions

- Depth **27 3/8 "**
- Height **70 15/32 "**
- Width **35 7/16 "**

Warranty

- Parts and labor **2 years**
- Sealed system parts & labor **additional 3 years**

SKU **26306**

The product dimensions and specifications in this page apply to the specific product and model. Under our policy of continuous improvement, these dimensions and specifications may change at any time. You should therefore check with Fisher & Paykel's Customer Care Centre to ensure this page correctly describes the model currently available. © Fisher & Paykel Appliances Ltd 2020

Other product downloads available at fisherpaykel.com

- ↓ [Energy Label](#)
- ↓ [Service & Warranty](#)
- ↓ [Water Filter Replacement Instructions - Parts 847200 and 847201 - EN](#)

Where applicable:

All appliances use energy, and energy usage typically generates carbon emissions. **Fisher & Paykel Appliances' In-use Energy Carbon Emissions Estimate** indicates carbon emissions from a product's in-use energy. This is calculated either annually or per cycle, using the product's market-specific energy label energy consumption data multiplied by the carbon emissions factor for energy in your country or region.

Our In-use Energy Carbon Emissions Estimate is designed to assist customers in making informed purchasing decisions when comparing different Fisher & Paykel products. For example, a heat pump dryer typically has a lower In-use Energy Carbon Emissions Estimate than a vented dryer.



A PEACE OF MIND SALE
24 Hours 7 Days a Week Customer Support
T 1.888.936.7872 W www.fisherpaykel.com

Performance

- ActiveSmart™ Foodcare **•**
- Adaptive defrost **•**