

FISHER & PAYKEL

**FRONT LOADING CONDENSER
CLOTHES DRYER**

DE4024P model

**SÉCHEUSE À CONDENSATION
À CHARGEMENT FRONTAL**

Modèle DE4024P

**INSTALLATION GUIDE / USER GUIDE
GUIDE D'INSTALLATION / GUIDE D'UTILISATION**

US CA

English

Page 1 - 38

Français

Page 41 - 78

Introduction	3
Safety and warnings	4
Installation instructions	6
Getting started	18
Drying cycles	20
Drying cycle options	21
Sorting and loading	24
Caring for your dryer	26
Before you call for service	28
Fault codes	29
Troubleshooting	30
Limited warranty	35

IMPORTANT!

SAVE THESE INSTRUCTIONS

The models shown in this User guide may not be available in all markets and are subject to change at any time. For current details about model and specification availability in your country, please go to our website www.fisherpaykel.com or contact your local Fisher & Paykel dealer.

Registration

Register your product with us so we can provide you with the best service possible.

To register your product visit our website: www.fisherpaykel.com

Welcome to your new condenser dryer

Thank you for purchasing a Fisher & Paykel clothes dryer. Your new dryer gives you the convenience of tumble drying and your clothes the advantage of not being subjected to the harsh overdrying effects of the sun. Your clothes will feel softer, retain their shape better and require less ironing.

At Fisher & Paykel we aim to provide innovative products that are simple to use, ergonomic, energy efficient and kind to the environment. Thousands of tons of laundry and 75 years of laundry experience have been programmed into your dryer to help give you the best possible performance.

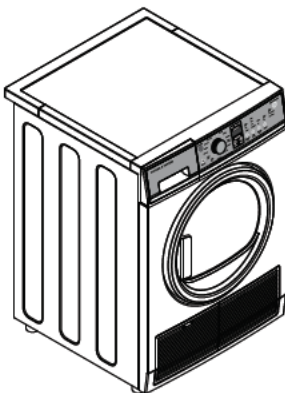
Your dryer has the benefit of not needing to be vented outside, instead it condenses the moisture from the clothes and collects this in a water tank, or can pump it directly into a drain.

This dryer has been specifically designed to complement our front loading Fisher & Paykel WashSmart™ and FabricSmart™ washers. We are proud of this dryer and trust it will serve you well for many years.

Your condensing dryer has numerous cycles and options so you can perform every drying task (including flat drying) with ease, allowing you to spend less time in the laundry. With the ability to automatically sense when your clothes are dry, your dryer is more efficient, making it kinder on your wallet and the environment.

Please take the time to read these instructions carefully before you begin using your dryer. Following the advice in this User guide will ensure you get the performance you expect from your dryer and that you get the best possible results. Keep these instructions for future reference and pass them on with your dryer, if it changes hands.

We hope you enjoy your new dryer. We have certainly enjoyed designing it for you.



Condenser clothes dryer

SAFETY AND WARNINGS

Read all instructions before using the appliance.

WARNING!



Electric Shock Hazard

Follow the safety precautions outlined in this User guide
Failure to do so can result in death or electric shock.

IMPORTANT SAFETY INSTRUCTIONS

WARNING!

To reduce the risk of fire, explosion, electric shock, or injury to persons when using your appliance, follow basic precautions, including the following:

- Read all instructions before using the appliance.
- This dryer, when installed, must be electrically grounded in accordance with local codes, or in the absence of local codes, with the National Electrical Code, ANSI/NFPA 70, or the Canadian Electrical Code, CSA C22.1.
- DO NOT dry articles that have been previously cleaned in, washed in, soaked in, or spotted with gasoline, dry-cleaning solvents, or other flammable or explosive substances, as they give off vapors that could ignite or explode.
- DO NOT place items exposed to cooking oils in your dryer. Items contaminated with cooking oils may contribute to a chemical reaction that could cause a load to catch fire. To reduce the risk of fire due to contaminated loads, the final part of the tumble dryer cycle occurs without heat (cool down period). Avoid stopping a tumble dryer before the end of the drying cycle unless all items are quickly removed and spread out so that the heat is dissipated.
- DO NOT allow children to play on or in this appliance. Close supervision of children is necessary when this appliance is used near children.
- Before the appliance is removed from service or discarded, remove the door to the drying compartment.
- DO NOT reach into the appliance if the drum is moving.
- DO NOT install or store this appliance where it will be exposed to the weather.
- DO NOT tamper with controls.
- DO NOT repair or replace any part of this appliance or attempt any servicing unless specifically recommended in the user-maintenance instructions or in published user-repair instructions that you understand and have the skills to carry out.
- DO NOT use fabric softeners or products to eliminate static unless recommended by the manufacturer of the fabric softener or product.
- DO NOT dry articles containing foam rubber or similarly textured rubber-like materials.
- Clean lint screen before or after each load.
- DO NOT operate the dryer without the lint filter and condenser in place.
- DO NOT store combustible materials, gasoline or other flammable liquids near the dryer. Keep area around the air intake vent on the front of the dryer and adjacent surrounding areas free from the accumulation of lint, dust and dirt.
- The interior of the appliance should be cleaned periodically by qualified service personnel.

- Unplug the appliance or turn off the circuit breaker before servicing. Pressing the 'POWER' or ►|| button DOES NOT disconnect power.
- DO NOT operate this appliance if it is damaged, malfunctioning, partially disassembled, or has missing or broken parts, including a damaged cord or plug.
- DO NOT spray any type of aerosol into, on or near dryer at any time. DO NOT use any type of spray cleaner when cleaning dryer interior. Hazardous fumes or electrical shock could occur.
- See 'Electrical connection information for electric dryers' located in the Installation Instructions for grounding instructions.

WARNING!

This product contains a chemical known to the State of California to cause cancer, birth defects or other reproductive harm.

For more information on these regulations and a list of chemicals, visit:

<https://oehha.ca.gov/proposition-65/general-info/proposition-65-plain-language>.

INSTALLATION INSTRUCTIONS

Before you begin

Read these instructions completely and carefully.

IMPORTANT!

Save these instructions for local electrical inspector's use.

IMPORTANT!

Observe all governing codes and ordinances.

- Install the clothes dryer according to the manufacturer's instructions and local codes.
- **Note to Installer** - Be sure to leave these instructions with the Consumer.
- **Note to Consumer** - Keep these instructions for future reference.
- Clothes dryer installation **must** be performed by a properly trained installer.
- Before the old dryer is removed from service or discarded, remove the dryer door.
- Service information and the wiring diagram are located in the control console.
- Do not allow children on or in the appliance. Close supervision of children is necessary when the appliance is used near children.
- Proper installation is the responsibility of the installer.
- Product failure due to improper installation is not covered under the limited warranty.
- Install the dryer where the temperature is above 50°F (10°C) for satisfactory operation of the dryer control system.

WARNING!



Fire Hazard

- Clothes dryer installation must be performed by a properly trained installer.
- Install the clothes dryer according to these instructions and local codes.
- **DO NOT** install or store this appliance in any location where it could be exposed to water or weather.
- To reduce the risk of severe injury or death, follow all installation instructions.
- Save these instructions. (Installers: Be sure to leave these instructions with the customer.)

If you are planning to stack the washer and dryer, order a Stacking Kit separately for this dryer.

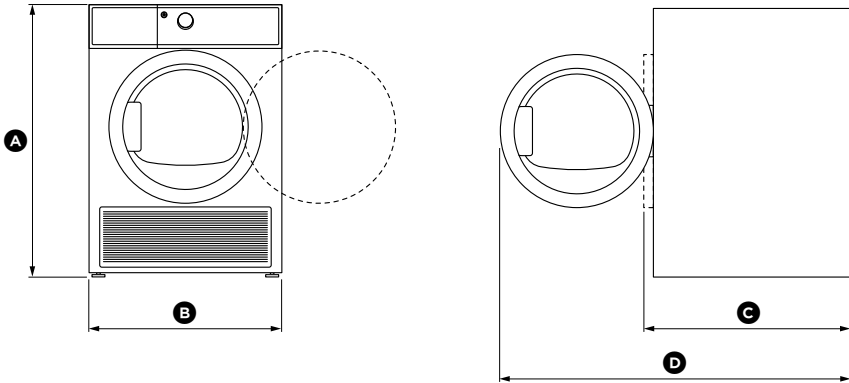
Unpacking your dryer

Tilt the dryer sideways and remove the foam shipping pads by pulling at the sides and breaking them away from the dryer legs. Be sure to remove all of the foam pieces from around the legs.

Remove and retain the bag containing the literature.



Product dimensions



DE4024P

PRODUCT DIMENSIONS		inches (mm)
(A)	Overall height of product*	33 1/4" (845)
(B)	Overall width of product	23 7/16" (595)
(C)	Overall depth of product (including dial and door when closed)	25 1/4" (640)
(D)	Depth to door open	42" (1067)
MAXIMUM CAPACITY†		kg
		8.0

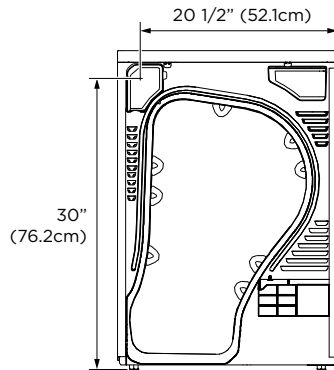
* Note:
 With leveling legs retracted: 33 1/4" (84.5cm).
 With leveling legs fully extended: 33 5/8" (85.4cm).
 Stacked: 66 1/2" (168.9cm).

† Capacity refers to the maximum **dry** weight of items the machine can dry at any one time.
 Note: some cycles have a lower maximum capacity (see the 'Drying cycles' section).

Electrical connection dimensions

Power cords

Fisher & Paykel Appliances strongly recommends the use of factory specified parts. Select the power cord to fit your installation requirements.



Back view

INSTALLATION INSTRUCTIONS

Requirements for alcove or closet installation

WARNING!



Explosion Hazard

- **Keep flammable materials and vapors, such as gasoline, away from dryer.**
- **Place dryer at least 18" (46cm) above the floor for a garage installation.**
- **Failure to do so can result in death, explosion, or fire.**

- Minimum clearance between dryer cabinet and adjacent walls or other surfaces is:
3/4" (20mm) sides, front, and top
1" (25.4mm) rear
- Consideration must be given to provide adequate clearance for installation and service.
- Closet doors must be louvered or otherwise ventilated and have at least 60 square inches (387cm²) of open area. If the closet contains both a washer and a dryer, doors must contain a minimum of 120 square inches (774cm²) of open area.

Minimum clearance other than alcove or closet installation

- Minimum clearance to combustible surfaces and for air opening are:
3/4" (20mm) sides and top
1" (25.4mm) rear
- Consideration must be given to provide adequate clearance for installation and service.

Mobile or manufactured home installation

- Installation MUST conform to the MANUFACTURED HOME CONSTRUCTION AND SAFETY STANDARD, TITLE 24, PART 3280 or STANDARD FOR MOBILE HOMES CAN/CSA-Z240 MH, or, when such standards are not applicable, with AMERICAN NATIONAL STANDARD FOR MOBILE HOME, ANSI/NFPA NO. 501B.
- Provide an opening with a free area of at least 25 square inches (161cm²) for introduction of outside air into the dryer room.
- See the sections for electrical connection information.

Bathroom or bedroom installation

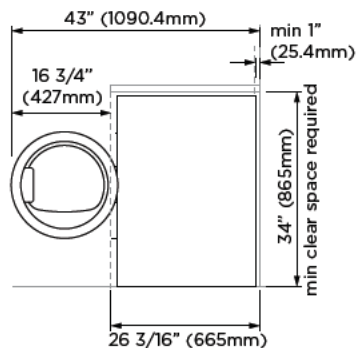
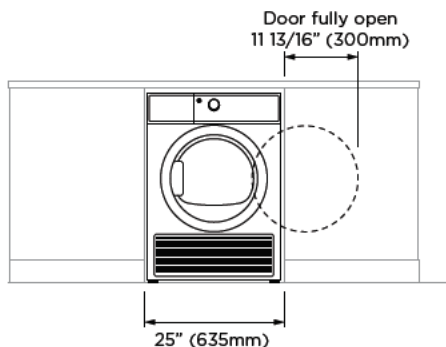
The installation must conform with local codes or, in the absence of local codes, with the NATIONAL ELECTRICAL CODE, ANSI/NFPA NO. 70 (for electric dryers).

Undercounter installation

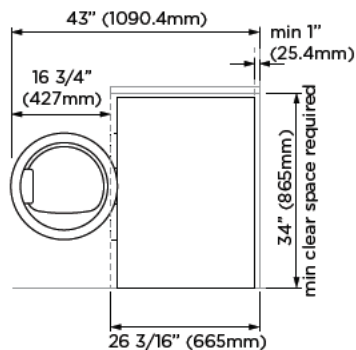
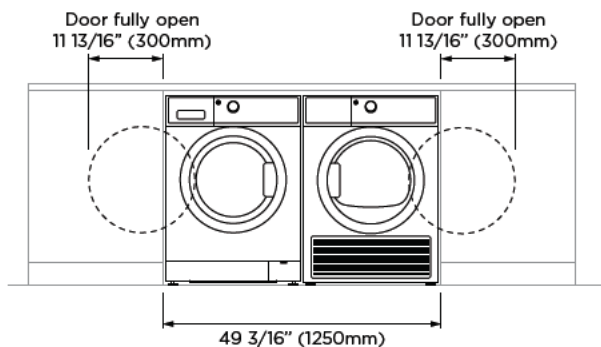
If an undercounter installation is desired:

- No special dryer installation kit is required.
- If the dryer is installed alone, a minimum of 60 square inches (387cm²) of open area is required. If a washer and dryer are installed together, a minimum of 120 square inches (774cm²) of open area is required.

Dryer installed alone



Washer and dryer installed together



INSTALLATION INSTRUCTIONS

Connecting an electric dryer

Tools you will need:



Slip-joint pliers



Level



Phillips
screwdriver



Flat-blade
screwdriver

Materials you will need:



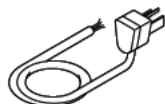
Safety glasses



Gloves

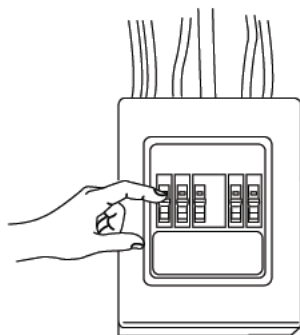


3/4" Strain relief
(UL recognized)



Dryer power cord kit (not provided with dryer)

UL rated 120/240V, 30A with 3 or 4 prongs. Identify the plug type as per the house receptacle before purchasing line cord. Stacking installations may require a power cord up to 6 feet (1.8m) in length.



Before making the electrical connection, turn off the circuit breaker(s) or remove the dryer's circuit fuse(s) at the electrical box. Be sure the dryer cord is unplugged from the wall.

IMPORTANT!

Never leave the access cover off the terminal block.

Electrical connection information for electric dryers

For electrical connections using a power cord:

⚠ WARNING!**Fire Hazard**

- Use a new UL-listed 240V 30 amp dryer power supply cord with closed ring terminals or spade terminals with upturned ends.
- Use a UL-listed strain relief.
- Disconnect power before making electrical connections.
- Connect neutral wire (white or center wire) to center terminal.
- Ground wire (green or bare wire) must be connected to green ground connector.
- Connect remaining two supply wires to remaining two terminals.
- Securely tighten all electrical connections.
- Replace the terminal block cover.
- Failure to do so can result in death, fire or electrical shock.

Grounding instructions

For a grounded, cord-connected dryer:

This dryer must be grounded. In the event of a malfunction or breakdown, grounding will reduce the risk of electric shock by providing a path of least resistance for electric current. This dryer uses a cord having an equipment-grounding conductor and a grounding plug. The plug must be plugged into an appropriate outlet that is properly installed and grounded in accordance with all local codes and ordinances.

WARNING!

Improper connection of the equipment-grounding conductor can result in a risk of electric shock. Check with a qualified electrician, or service representative or personnel, if you are in doubt as to whether the appliance is properly grounded. DO NOT modify the plug on the power supply cord. If it will not fit the outlet, have a proper outlet installed by a qualified electrician.

SAVE THESE INSTRUCTIONS

INSTALLATION INSTRUCTIONS

Electrical connection information for electric dryers

For direct wire connections:

WARNING!



Fire Hazard

- Use 10 gauge copper wire.
- Use a UL-listed strain relief.
- Disconnect power before making electrical connections.
- Connect neutral wire (white or center wire) to center terminal.
- Ground wire (green or bare wire) must be connected to green ground connector.
- Connect remaining two supply wires to remaining two terminals.
- Securely tighten all electrical connections.
- Replace the terminal block cover.
- Failure to do so can result in death, fire or electrical shock.

Grounding instructions

For a permanently connected dryer:

This dryer must be connected to a grounded metal, permanent wiring system, or an equipment-grounding conductor must be run with the circuit conductors and connected to the equipment-grounding terminal on the appliance.

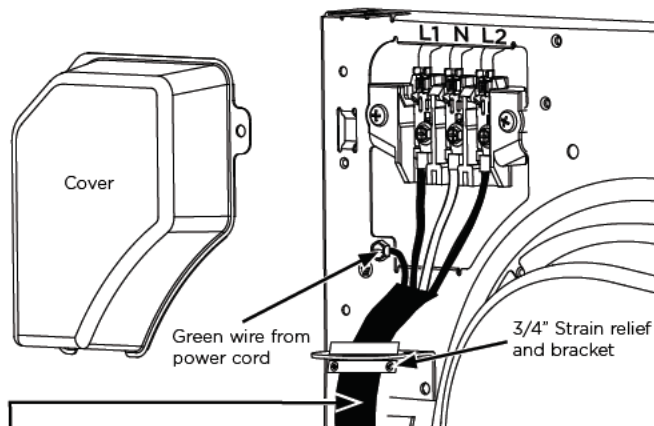
WARNING!

Improper connection of the equipment-grounding conductor can result in a risk of electric shock. Check with a qualified electrician, or service representative or personnel, if you are in doubt as to whether the appliance is properly grounded.

SAVE THESE INSTRUCTIONS

Connecting dryer using 4-wire connection (must be used for mobile home installation)

Note: since January 1, 1996, the National Electrical Code requires that new constructions use a 4-wire connection to an electric dryer. A 4-wire cord must also be used where local codes do not permit grounding through the neutral. 3-wire connection is NOT for use on new construction.



4 #10 AWG minimum copper conductors or 120/240V 30A power supply cord kit marked for use with dryers and provided with closed loop or spade terminals with upturned ends (not supplied)

- ① Turn off the circuit breaker(s) (30 amp) or remove the dryer's circuit fuse at the electrical box.
- ② Be sure the dryer cord is unplugged from the wall receptacle.
- ③ Remove the power cord cover located at the upper back.
- ④ Remove green ground screw and retain for use in Step ⑦. Remove center screw (marked N) in terminal block. Remove and discard ground strap.
- ⑤ Install 3/4 in. UL-recognized strain relief to power cord entry hole. Bring power cord through strain relief and bracket.
- ⑥ Connect power cord as follows:
 - A. Connect the 2 hot lines to the outer screws of the terminal block (marked L1 and L2).
 - B. Connect the neutral (white) line to the center of the terminal block (marked N).
- ⑦ Attach ground wire of power cord with the green ground screw (hole above strain relief bracket). Tighten all terminal block screws (3) securely.
- ⑧ Properly secure power cord to strain relief and bracket.
- ⑨ Reinstall the cover.

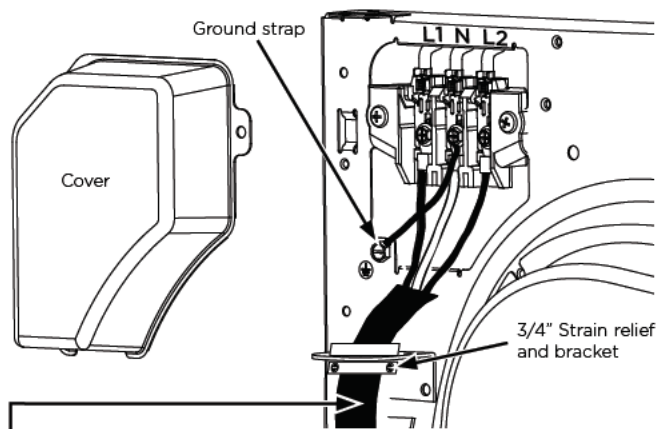
IMPORTANT!

Never leave the cover off of the terminal block.

INSTALLATION INSTRUCTIONS

Connecting dryer using 3-wire connection

If required, by local code, install external ground (not provided) to grounded metal, cold water pipe, or other established ground determined by a qualified electrician.



3 #10 AWG minimum copper conductors or 120/240V 30A power supply cord kit marked for use with dryers and provided with closed loop or spade terminals with upturned ends (not supplied)

3-wire connection

- Not for use in Canada.
 - DO NOT use for Mobile Home Installations.
 - NOT for use on new construction.
 - NOT for use on recreational vehicles.
 - NOT for use in areas where local codes prohibit grounding through the neutral conduction.
- ① Turn off the circuit breaker(s) (30 amp) or remove the dryer's circuit fuse at the electrical box.
 - ② Be sure the dryer cord is unplugged from the wall receptacle.
 - ③ Remove the power cord cover located at the upper back.
 - ④ Install 3/4 in. UL-recognized strain relief to power cord entry hole. Bring power cord through strain relief and bracket.
 - ⑤ Connect power cord as follows:
 - A. Connect the 2 hot lines to the outer screws of the terminal block (marked L1 and L2).
 - B. Connect the neutral (white) line to the center of the terminal block (marked N).
 - ⑥ Be sure ground strap is connected to green ground screw on cabinet rear. Tighten all terminal block screws (3) securely.
 - ⑦ Properly secure power cord to strain relief and bracket.
 - ⑧ Reinstall the cover.

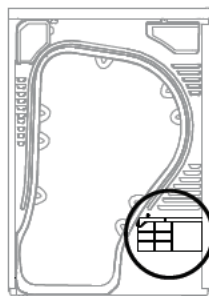
IMPORTANT!

Never leave the cover off of the terminal block.

Connecting the drain hose

Draining water without using the water tank

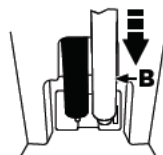
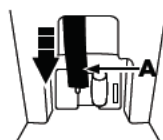
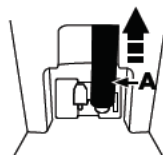
You can use the dryer without using the water tank by following the procedures below.



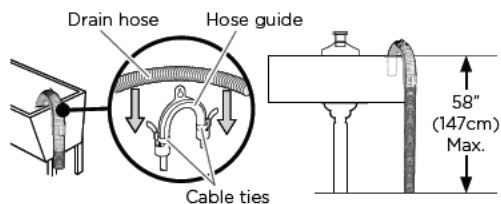
Back view

To connect the drain hose:

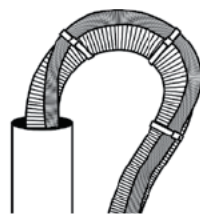
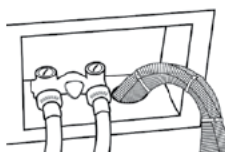
- ① Disconnect the drain hose **A**.
- ② Connect the drain hose **A** to the other hole.
- ③ Connect accessory hose **B** (long drain hose) adjacent to hose **A**.
 - When connecting hose **B**, take care that the height of the hose does not exceed 58" (147cm).
 - After connecting the drain hose, you can now directly drain the condensed water to a standpipe or washstand.



- ④ Over the edge of a wash basin: The drain hose must be placed lower than 58" (147cm). To keep the drain hose spout bent, use the plastic hose guide as supplied with the washer. Secure the guide to the wall with a hook or to the tap with a piece of string to prevent the drain hose from moving.
- ⑤ Assemble the drain hose and the hose guide and fix them with the cable-tie.



Do not push the drain hose in the standpipe any further than 4" (10cm). Pushing the drain hose further in the standpipe can cause leaking.

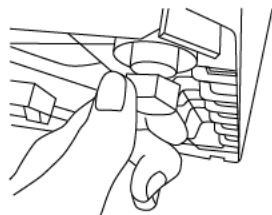


INSTALLATION INSTRUCTIONS

Final setup

① Level the dryer

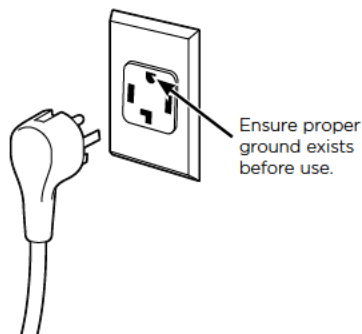
Stand the dryer upright near the final location and adjust the four leveling legs at the corners to ensure that the dryer is level from side to side and front to rear.



Levelling the feet

② Plug dryer in

Note: stacking installations may require a power cord up to 6 feet (1.8m) in length.



③ Dryer startup

Press the 'POWER' button.

Note: if the dryer has been exposed to temperatures below freezing for an extended period of time, allow it to warm up before pressing 'POWER'. Otherwise, the display will not come on.



The dryer is now ready for use.

Completing the installation

Installation test cycle

IMPORTANT!

Ensure the installation test cycle is completed before you dry any items in your dryer. This is to check that your dryer is installed correctly and that it is functioning properly prior to use.

- ① Turn your dryer on by pressing the 'POWER' button.
- ② Select the 'Time Dry' (30 mins) cycle. Ensure the drum is empty and the door is closed (you will hear it click shut).
- ③ Touch the ▶|| button. The drum will start rotating.
 - Observe the machine for any problems.
 - The dryer will beep and display any faults on the screen if there are any problems. Refer to pages 28 and 29.
- ④ At the completion of the cycle open the door and check that there is warmth inside the dryer. This indicates the dryer is operating normally.

IMPORTANT!

If there are any problems, you must address these before proceeding with normal use. The dryer will automatically turn off at the end of the cycle if there are no problems.

Before you start, it is a good idea to go through the following checklist:

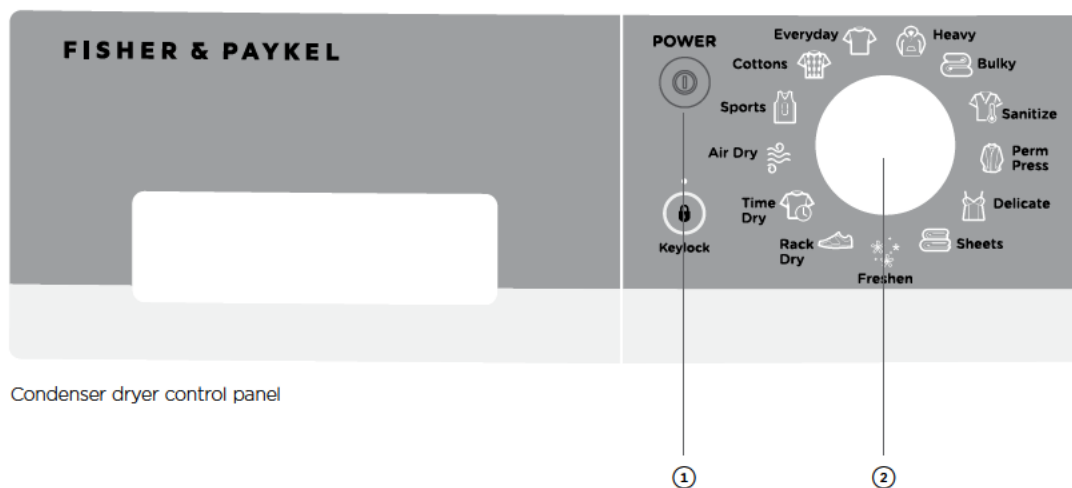
- ① Has the packaging been removed?
- ② Is the machine correctly levelled, and the cabinet corners clear of the floor and walls?
- ③ Are the water tank, condenser and lint filter correctly in place?
- ④ Has the power cord been connected to an appropriate power supply and the power turned on?
- ⑤ Have you performed the installation test cycle?
- ⑥ If external draining is preferred, is the drain hose attached to the correct outlet and hooked into a standpipe or tub?

GETTING STARTED

WARNING!

To reduce the risk of fire, electric shock, or injury to persons, read the **IMPORTANT SAFETY INSTRUCTIONS** before operating this appliance.

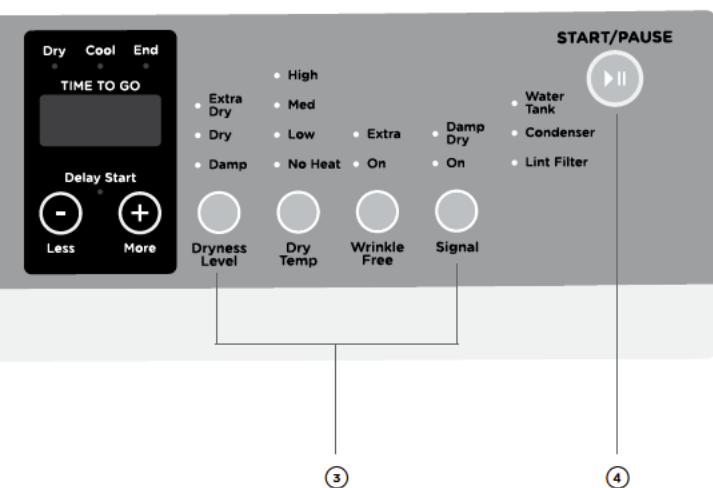
- Check the lint filter is clean and the water tank is empty before every load. Ensure both are replaced correctly before using your dryer.
 - Sort and load items into the dryer drum, ensuring no items are in the way of the door. Close the door (you will hear it click shut).
- ① Press 'POWER' to activate your dryer.
 - ② Your dryer will default to the 'Everyday' cycle. Select your desired drying cycle by turning the SmartTouch™ Control Dial.
 - ③ Select your preferred drying options, using the SmartTouch™ buttons on the right hand side of the panel (if you wish to select options different from the default options for the cycle).
 - ④ Touch the ▶|| button to start the cycle.



- If you make an invalid selection the dryer will beep to alert you.
- When the cycle finishes, your dryer will beep and then turn off automatically. If the 'Wrinkle Free' option has been selected the machine will rotate the drum periodically blowing cool air into the drum to help minimize wrinkling and creasing of your load.
- If you wish to stop your dryer at any point during a cycle simply touch ►|| to pause the cycle, then open the door.
- If you wish to cancel a cycle or select a different option once a drying cycle has started, touch the ►|| button then select the new cycle or option. Touch ►|| to restart the dryer with the new cycle and/or settings.

IMPORTANT!

- If you wish to stop the dryer before the cycle has finished you **MUST** remove the clothes **IMMEDIATELY** and spread them out to cool. **DO NOT** leave the clothes in the dryer or bunched up in a clothes basket. Take extreme care as the drum and the load items may be extremely hot.
- Failure to follow the advice in this guide may result in damage to your garments and your expectations of drying performance may not be met.



DRYING CYCLES



Your dryer has a number of drying cycles to suit your laundry needs. Selecting the most appropriate cycle for each particular load will help ensure you get the best result.

CYCLE	DESIGNED FOR	DESCRIPTION	MAX. LOAD SIZE (KG)
Cottons	Cottons and most linens.	A high heat cycle for cottons and linens.	8
Everyday	Mixed loads consisting of cottons and polyester blends. Casual wear.	A cycle for rapid drying of everyday clothing.	8
Heavy	Heavy durable garments, eg work sweatshirts/jerseys and jeans.	A longer, high heat cycle for heavy fabrics and denim.	8
Bulky	Large coats, bed spreads, mattress covers, sleeping bags, blankets, comforters, jackets, small rugs, and similar large and bulky items.	A medium heat cycle for the special care of bulky items.	4
Sanitize	Bed linen, tea towels, socks.	A high heat cycle for reducing certain types of bacteria by 99.6%, including: Staphylococcus aureus and Pseudomonas aeruginosa. The antibacterial process occurs when high heat is used during a portion of this drying cycle.	8
Permanent Press	Business shirts and clothing that creases easily.	A short, medium heat cycle with the 'Wrinkle Free' option selected for easily creasable items.	4
Delicate	Lingerie and special-care fabrics.	A shorter, cooler cycle for carefully drying delicate and heat sensitive fabrics.	4
Sheets	Sheets, pillowcases and duvet/duona covers.	High heat cycle with reversing, to improve the movement of large items such as sheets and duvet/duona covers and help reduce tangling.	4
Freshen	Items that have been in storage or have not been worn/used for some time.	A short cycle with a burst of heat followed by cool air to help de-wrinkle and refresh items.	1 - 3 items
Rack Dry	Drying delicate items without tumbling.	Use drying rack accessory. Place items flat on the drying rack such as wool sweaters and delicate fabrics. Dry with low heat.	1 - 2 items
Time Dry	Drying items for a selected period of time.	A cycle with user selectable 30 - 150 minute drying times.	8
Air Dry	Drying items for a specific time period, without heat.	40 minute cycle with no heat.	8
Sports	Sports items, eg running gear.	A low heat cycle designed for the special care of sports items.	4

All drying cycles default to the recommended options for that cycle based on the average expected load size to be dried using that cycle. You can vary the options (eg 'Dryness Level', 'Dry Temp') to create your desired cycle. Note: some options are not available on some cycles for clothes care reasons, or because the option is not appropriate for the cycle.

To change a drying option or options you have selected after a cycle has started, touch ►|| and select your new setting, then touch ►|| again to resume the cycle with the new setting or settings.

Note: some options may not be available for selection under certain conditions and after particular stages of the drying cycle have passed.

Dryness Level

Your dryer takes the guess work out of choosing drying times by sensing the dryness of the load. When your dryer senses that the clothes have dried to the dryness level you have selected, the dryer will automatically finish the cycle.

The dryer has five dryness levels from 'Damp' through to 'Extra Dry'. Choose the dryness level to suit your load depending on how dry you wish for your clothes to be. If you find the load is not dry enough, select the next dryness level up. The higher the level, the longer the drying time and the drier your clothes will become.

Note: two lights are used to show some dryness levels. For example, to achieve the Damp Dry setting both the 'Dry' and the 'Damp' lights will be illuminated.



Dryness levels

Airing/Cool down (Cool)

When the dryer has sensed that the load is dry it will automatically go into a cool down period. This will be a minimum of 5 minutes and could be longer depending on the conditions in the laundry room.



Cool down mode

Dry Temp

There are four drying temperatures you can choose from:

- **High:** For regular to heavy cottons.
- **Medium:** For synthetics, some blends and items labeled Permanent Press.
- **Low:** For delicates, synthetics and items labeled Tumble Dry Low.
- **No Heat:** This option may only be used with 'Air Dry' and 'Time Dry', in which items are tumbled without heat.

Touch the 'Dry Temp' button until the light next to your desired drying temperature is illuminated.



Dry temp

DRYING CYCLE OPTIONS

Wrinkle Free

If you wish to minimize wrinkling, select one of the 'Wrinkle Free' options. At the end of the cycle, the drum will rotate periodically and cool air will be circulated through the load to minimize wrinkling and creasing. This is particularly useful if you cannot remove the items immediately after the cycle ends. There are two wrinkle free options:

'On' provides 'Wrinkle Free' operation for 2 hours.
'Extra' provides 'Wrinkle Free' operation for 24 hours.

If you wish to stop the dryer at any stage during the 'Wrinkle Free' stage of the cycle, simply touch ►||. You can then open the dryer door and remove your items. Press 'POWER' to stop the cycle and turn the dryer off.



Wrinkle free option

Signal

The 'Signal' option automatically defaults to 'On' for all cycles. This means a series of beeps will sound at the end of a cycle, to alert you that the dryer has finished. You can turn the 'Signal' off by touching the 'Signal' button twice (no lights will then be illuminated).

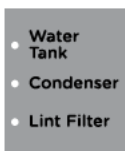
When you select a dryness level above damp/dry and wish your dryer to alert you to remove items once your load reaches the damp/dry stage, touch the 'Signal' button once to select 'Damp Dry'. Ensure 'On' is also selected. When your load reaches the damp/dry stage, the dryer will beep to alert you to remove your items, then continue drying until the remaining load reaches the dryness level you selected.



Signal options

Indicators

There are a number of indicators to alert you when you need to attend to your dryer, either to clean the lint filter, empty the water tank or to clean the condenser (refer to the 'Caring for your dryer' section).



Indicators

Keylock

This option enables you to deactivate the buttons on the display panel, except for the 'POWER' and 🔒 buttons. This option helps prevent accidental button presses.

- To turn Keylock mode ON or OFF, at any time when the dryer is powered on:
 - Touch and hold the 🔒 button for 2 seconds.

Note: when activated, the light above the 🔒 button is illuminated.

If Keylock mode is activated and the machine is powered off:

- To turn your dryer on, press the 'POWER' button, then touch and hold the 🔒 button for 2 seconds to turn Keylock off. Select your drying cycle, any options and then touch ►|| to start the cycle.



Keylock mode

Delay Start

The 'Delay Start' option enables you to delay the start of the drying cycle from between 5 minutes and 12 hours. Times you can select are 5 min, 15 min, 30 min, 1 hour, then hourly up to 12 hours. This can be useful to time your drying to finish when you arrive home from work, or to start when power rates are lower.

To programme a 'Delay Start', simply touch the 'More' **+** button to increase the delay time and 'Less' **=** button to decrease the time or to turn 'Delay Start' off. Touch **▶▶** to confirm your selection and start the countdown. Once the 'Delay Start' has been started, the time will count down on the digital display in one minute increments, the 'Delay Start' light will flash and the **▶▶** light will stop flashing and turn on solid.

Note: if you hold the 'More' **+** button down, the time displayed on the screen will increase after every half a second (more convenient than touching the button repetitively). To remove a 'Delay Start' time once it is counting down, simply touch **▶▶**, then touch the 'Less' **=** button to decrease the time to zero. Touch **▶▶** to start the cycle immediately.

IMPORTANT!

We suggest that you avoid using 'Delay Start' for damp, non-colorfast items as this may cause dye run to occur.

Customizing dryer cycles

After using your dryer a few times you may discover there are some drying options you prefer for some cycles.

You can programme your dryer to remember the drying options you prefer for each drying cycle. For instance, you may want to set the 'Perm Press' cycle to a lower drying temperature or set the 'Everyday' cycle so it automatically has the 'Wrinkle Free' option selected.

To customize a cycle:

- 1 Press 'POWER' to turn the machine on.
- 2 Turn the dial to select the cycle you wish to customize.
- 3 Touch and hold any of the drying options buttons for 3 seconds. The lights will flash on and off to indicate that the machine is in cycle adjustment mode.
- 4 Select the drying options you prefer by touching the relevant option button.
- 5 Touch **🔒** to save the selected settings. The dryer will then beep to indicate your customized cycle has been saved.

Factory reset

You can reset your dryer to the default settings it left the factory with:

- 1 Turn the dial to select the 'Freshen' cycle.
- 2 Touch and hold the 'Delay Start', 'More' **+**, the 'Delay Start', 'Less' **=** and 'Signal' buttons together for three seconds.
- 3 Your dryer will now be reset to the default settings.

SORTING AND LOADING

Always follow fabric manufacturer's care label when laundering.

Fabric care labels

Below are fabric care label "symbols" that affect the clothing you will be laundering.

DRY LABELS

Tumble dry



Dry



Normal



Permanent
Press/wrinkle
resistant



Gentle/
delicate



Do not
tumble dry



Do not dry
(used with
do not wash)

Heat setting



High



Medium



Low



No heat/air

Special instructions



Line dry/
hang to dry



Drip dry



Dry flat



In the shade

Sorting and loading hints

! WARNING!**Fire Hazard**

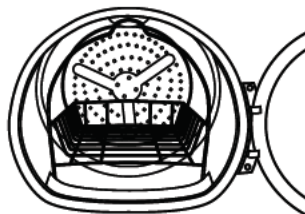
- Keep flammable materials and vapors, such as gasoline, away from dryer.
- DO NOT dry anything that has ever had anything flammable on it (even after washing).
- No washer can completely remove oil.
- DO NOT dry anything that has ever had any type of oil on it (including cooking oils).
- Items containing foam, rubber, or plastic must be dried on a clothesline.
- Failure to do so can result in death, explosion, or fire.

- As a general rule, if clothes are sorted properly for the washer, they are sorted properly for the dryer. Try also to sort items according to size. For example, do not dry a sheet with socks or other small items.
- Do not add fabric softener sheets once the load has become warm, they may cause fabric softener stains.
- **Do not overload.** This wastes energy and causes wrinkling.

Drying rack

A handy drying rack may be used for drying delicate items such as washable sweaters. Place items flat on the drying rack. Dry with low heat.

A drying rack is installed in your dryer when it leaves the factory. To remove it, tilt the top of the rack towards you to detach the legs from the slots in the lint filter, and gently remove from the drum. Do the reverse to reinstall it.

**Note:**

- The drying rack is designed for use with the 'Rack Dry' cycle. Use with sensor cycles may result in damp items or extended cycle times.
- Do not use this drying rack when there are other clothes in the dryer that are not placed on the rack.

Cleaning your dryer

Cleaning the control panel and outer surfaces of the dryer

Use a soft damp cloth to wipe all surfaces, then wipe dry. Avoid using chemical or scouring cleaners, as these will damage the paint and plastic surfaces of your dryer.

Cleaning the inside of your dryer

It is important that you occasionally clean the inside of your dryer. If the drum has any residual dirt or lint stuck to it, remove this and wipe it clean with a damp cloth. Do not leave any metal objects in the drum, as these may cause rust.

Cleaning the lint filter

- Lint is generally formed during wearing and washing. Fibres (ie lint) released from the clothes during the drying cycle are collected in the lint filter.
- It is important to clean the lint filter after every load, as the lint produced in the drying process can become a fire hazard if it is allowed to accumulate in or around your dryer.
- The lint filter is located in the door opening (at the bottom).
- There is a warning light that will flash at the beginning of every cycle to remind you to clean the filter. The warning light will also flash on and off during the cycle if the filter becomes blocked. The filter should be cleaned as soon as the 'Lint Filter' light starts flashing. Lint becomes a fire hazard if left to build up, and will reduce the efficiency of your dryer.

To clean the filter:

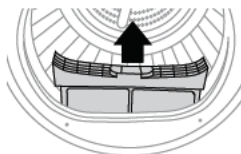
- ① Open the dryer door.
- ② Remove the lint filter by pulling it up and out of the filter slot. Open it out and wipe the surface clean with your hand.
- ③ Close the lint filter and place it back in the opening. Ensure the filter is fitted correctly back in place before operating the dryer.

Have a qualified technician vacuum the lint from the dryer once a year.

Drum lamp

Note: the drum light is not consumer replaceable. If this light should ever stop working, call for service.

When the door is opened, the drum light automatically turns on and remains on for two minutes. When the door is closed, the drum light will remain on for 30 seconds.



Lint filter

Emptying the water collection tank

During the drying cycle steam condenses into water and is collected in the water tank, located at the top left of the dryer. It is important to empty the water tank after every load.

There is an indicator light that will illuminate when the water tank needs emptying. A user warning will also be displayed on the screen (refer to the 'Before you call for service' section). If the water tank becomes full during operation, the dryer will go into 'Cool' mode for several minutes, then pause and beep to alert you. Empty the tank and touch ►|| to resume the cycle.

Note: you do not need to empty the water tank if you have set up the drain hose to drain the water automatically (refer to 'Installation instructions' page 15).

To empty the water tank:

- ① Remove the water tank by holding onto the handle and pulling outwards gently to remove it. Hold tank with both hands and ensure that you keep the tank level when it is being removed to prevent the water collected from spilling.
- ② Pour the water down the sink or into a bucket, and then put the tank back in place.

IMPORTANT!

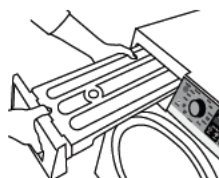
- Do not use the water collected in the water tank for drinking or food processing.
- Never run the dryer without the water tank in place.
- If the water tank becomes full, the tumble dryer will pause drying and will sound an alarm. You must empty the water tank before the dryer can continue drying. Empty the tank, replace it back in the housing then touch ►|| to resume the cycle.

Cleaning the condenser

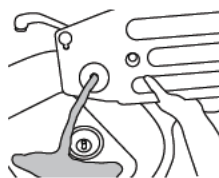
If the 'Condenser' indicator light starts to flash this indicates that the condenser needs to be cleaned. The condenser should be cleaned once a month. The light illuminates when you first turn the machine on, then turns off once the ►|| button has been touched.

To clean the condenser:

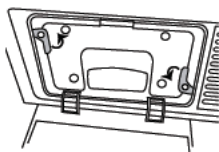
- ① Open the condenser cover.
- ② Turn the two condenser lock levers 90 degrees then pull out the condenser.
- ③ Clean the condenser with pressurized water and wait until the water drains.
- ④ Replace the condenser.
- ⑤ Turn the two condenser lock levers to lock the condenser back in place again. Make sure that these locks are engaged securely.
- ⑥ Close the condenser cover.



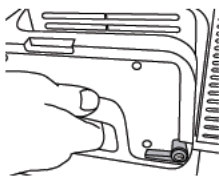
Removing the water collection tank



Tipping out the water condensing tank



Turning the condenser locking levers





Pulling out the condenser

BEFORE YOU CALL FOR SERVICE

User warnings

Your dryer is capable of diagnosing a number of its own problems. It will sound a continuous series of beeps and display a code when it has a problem that you can correct yourself. All control panel lights will turn off and a code will be displayed to inform you what the problem is. To stop the beeps sounding, press any button on the control panel. Do not try to continue your drying cycle once you stop the noise, you must address the problem the dryer is alerting you to.

Check this chart before you call for service.

PROBLEM	DISPLAYED AS	WHAT TO DO
Keylock is activated.	<i>KEY LOC</i>	Touch and hold the  button for 2 seconds to deactivate the Keylock.
The lint filter is blocked and needs to be emptied.	<i>L InE cLn</i>	Empty the lint filter and then replace it. Check the lint filter is not damaged. Check there is nothing else stuck in the lint filter holder which may be blocking the air flow. Check the lint filter is in place correctly in your dryer.
The water tank is full and needs to be emptied.	<i>H2O FULL</i>	Check if the water tank is full. Empty the water tank. If using the drain hose, check whether the water tank or drain hose is blocked. Check the drain hose is still attached at the back of the machine, and is not kinked or squashed.
The condenser needs to be cleaned.	<i>cLn cand</i>	Clean the condenser (refer to the 'Caring for your dryer' section). Ensure the condenser unit has been placed or replaced correctly into your dryer.
The door is not closed.	<i>door OPEN</i>	Close the door fully and touch  . Try opening and closing the door again. Reposition the load, make sure the load is correctly in the drum and that protruding items are not stopping the door from closing.

Once you have addressed the issue the user warning was alerting you to, try using your dryer as per usual.

If the symptom persists, call your properly trained installer.

When a continuous series of beeps is sounded, all the lights turn off on the control panel and a number appears on the display, a fault has occurred. The dryer will automatically enter this mode if a fault occurs. The fault code will be displayed as *E r r* followed by a number on the digital display. To stop the beeps, touch any button then perform the following steps:


- ① Turn your machine off at the power point.
- ② Wait one minute and turn it back on.
- ③ Check your machine is installed correctly (refer to the 'Installation instructions' section).
- ④ Remove your dryer load and retry.
- ⑤ Perform a 'Time Dry' cycle, eg 'Time Dry' (30 mins).
- ⑥ If the fault re-occurs repeat steps ① and ②.
- ⑦ If the machine still will not work you will be required to call a properly trained installer to arrange service (refer to the 'Limited warranty' section). Record the fault code number displayed and the serial number of your dryer (located on the inside of the door below the glass) before calling. The fault code will indicate to the service technician what the problem could potentially be.

If a fault code is being displayed, you can still turn your dryer off by pressing 'POWER'.

TROUBLESHOOTING

The following is a list of problems you may encounter when using this appliance and some suggestions that may help to correct the problem. If you still have problems, please contact a properly trained installer.

PROBLEM	POSSIBLE CAUSES	WHAT TO DO
Dryer shakes or makes noise.	Some shaking/noise is normal. Dryer may be sitting unevenly.	Move dryer to an even floor space, or adjust leveling legs as necessary until even.
Clothes take too long to dry.	Improper sorting. Large loads of heavy fabrics (like beach towels). Non-venting dryer. Controls improperly set. Lint filter is full. Blown fuses or tripped circuit breaker. Overloading/combining loads. Underloading.	Separate heavy items from lightweight items (generally, a well-sorted washer load is a well-sorted dryer load). Large, heavy fabrics contain more moisture and take longer to dry. Separate large, heavy fabrics into smaller loads to speed up drying time. Condensing dryers usually take longer to dry than a vented dryer. Match control settings to the load you are drying. Clean the lint filter before every load. Replace fuses or reset circuit breakers. Since most dryers use 2 fuses/breakers, make sure both are operating. Do not put more than one washer load in the dryer at a time. If you are drying only one or two items, add a few items to ensure proper tumbling.

PROBLEM	POSSIBLE CAUSES	WHAT TO DO
The 'Dry' dryness level was chosen but load is still damp.	Load consists of a mixture of heavy and light fabrics.	When combining heavy and light fabrics in a load, choose a higher dryness level.
	Lint filter, condenser, and/or air intake vent located on the front of the dryer is blocked.	Inspect and clean lint filter, condenser, and/or air intake vent located on the front of the dryer.
	Dryness sensors are dirty.	Clean the sensors with a moist cloth. These are the metal ribs located in the drum behind the lint filter.
Control buttons not responding.	Controls accidentally put in service mode.	Press ► .
	Controls accidentally put in 'Keylock' mode.	Hold the  button for 3 seconds to unlock the dryer.
	Controls performed an incorrect operation.	Check the building's fuse/circuit breaker box and replace fuse or reset breaker. Note: electric dryers use two fuses or breakers.
Dryer doesn't start.	Control panel is "asleep".	This is normal. Press 'POWER' to activate the control panel.
	Dryer is unplugged.	Make sure the dryer plug is pushed completely into the outlet.
	Fuse is blown/circuit breaker is tripped.	Check the building's fuse/circuit breaker box and replace fuse or reset breaker. Note: electric dryers use two fuses or breakers.
	Dryer was accidentally paused when starting 'Delay Start'.	If the light on the ► button is flashing, the dryer is paused. Press ► to restart the countdown.
	Water tank is full.	If the 'Water Tank' light is on, you must empty the water tank before the dryer will start. Refer to the 'Caring for your dryer' section for instructions on emptying the water tank.

TROUBLESHOOTING

PROBLEM	POSSIBLE CAUSES	WHAT TO DO
No numbers displayed during cycle, only lights.	Dryer is continuously monitoring the amount of moisture in the clothes.	This is normal. When the dryer senses a low level of moisture in the load, the dryer will display the dry time remaining.
'TIME TO GO' jumped to a lower number.	The estimated time may change when a smaller load than usual is being dried.	This is normal.
Cannot make a selection and the dryer beeps twice.	The dryness level, temperature, or option that you are trying to select is incompatible with the chosen dry cycle.	This is normal.
Dryer is running but 00 is displayed in 'TIME TO GO'.	The 'Wrinkle Free', 'Extra' option was chosen.	This is normal. During extended tumbling, the time remaining is not displayed.
<i>L i n t c l n</i> Clean lint filter (message).	'POWER' button was activated.	Press ▶ to begin a dry cycle and the message will disappear.
Dryer doesn't heat.	Fuse is blown/circuit breaker is tripped; the dryer may tumble but not heat.	Check the building's fuse/circuit breaker box and replace both fuses or reset both breakers. Your dryer may tumble if only one fuse is blown or one breaker tripped.
Inconsistent drying times.	Type of load and drying conditions.	The load size, types of fabric, wetness of clothes and the condition of the lint filter, condenser, and/or air intake vent located on the front of the dryer will affect drying times.
	Excess debris has collected in the condenser preventing proper airflow.	Refer to the 'Caring for your dryer' section.
Glow at the rear of the drum.	Heaters behind the drum.	This is normal. Under certain drying conditions and room ambient lighting, the glow of the heaters may be visible at the rear of the drum.

PROBLEM	POSSIBLE CAUSES	WHAT TO DO
Clothes are still wet and dryer shut off after a short time.	The door was opened mid-cycle. The load was then removed from the dryer and a new load put in without selecting a new cycle.	A dry cycle must be reselected each time a new load is put in.
	Small load.	When drying 3 items or less, choose 'Time Dry'.
	Load was already dry except for collars and waistbands	Choose 'Time Dry' to dry damp collars and waistbands. In the future, when drying a load with collars and waistbands, choose a higher dryness level.
	Dryer is not level.	Move dryer to an even floor space or adjust leveling legs as necessary until even.
Clothes are wrinkled.	Overdrying.	Select a shorter drying time. Remove items while they still hold a slight amount of moisture. Select a lower dryness setting.
	Letting items sit in dryer after cycle ends.	Remove items when cycle ends and fold or hang immediately, or use the 'Wrinkle Free', 'Extra' option.
	Overloading.	Separate large loads into smaller ones.
Clothes shrink.	Some fabrics will naturally shrink when washed. Others can be safely washed, but will shrink in the dryer.	To avoid shrinkage, follow garment care labels exactly.
		Some items may be pressed back into shape after drying. If you are concerned about shrinkage in a particular item, do not machine wash or tumble dry it.

TROUBLESHOOTING

PROBLEM	POSSIBLE CAUSES	WHAT TO DO
Greasy spots on clothes.	Improper use of fabric softener.	Follow directions on fabric softener package.
	Drying dirty items with clean ones.	Use your dryer to dry only clean items. Dirty items can stain clean items and the dryer.
	Clothes were not completely clean.	Sometimes stains which cannot be seen when the clothes are wet appear after drying. Use proper washing procedures before drying.
Lint on clothes.	Lint filter is full.	Clean lint screen before each load.
	Improper sorting.	Sort lint producers (like chenille) from lint collectors (like corduroy).
	Static electricity can attract lint.	See suggestions in this section under 'Static occurs'.
	Overloading.	Separate large loads into smaller ones.
	Paper, tissue, etc, left in pockets.	Empty all pockets before laundering clothes.
Static occurs.	No fabric softener was used.	Try a recommended fabric softener.
	Overdrying.	Try a recommended fabric softener. Adjust setting to a lower dryness level.
	Synthetics, permanent press and blends can cause static.	Try a recommended fabric softener.
Collars and waistbands still wet at end of cycle.	The dryness monitor senses that the body of the clothes is dry.	Choose 'Time Dry' to dry damp collars and waistbands. In the future, when drying a load with collars and waistbands, choose a higher dryness level.
Slight variation in metallic color.	This is normal.	Due to the metallic properties of paint used for this unique product, slight variations of color may occur due to viewing angles and lighting conditions.
Dryer continues to tumble.	'Wrinkle Free', 'Extra' was selected.	Ensure 'Wrinkle Free', 'Extra' option is not selected.

When you purchase any new at retail Fisher & Paykel product for personal or consumer use you automatically receive a two year limited warranty covering parts and labor for servicing within the United States & Canada. If there is no authorized Fisher & Paykel service center in your area you may be responsible for any trip charges or transportation costs.

If the product has been purchased as open box, factory refurbished or previously returned from an authorized reseller you automatically, but only, receive a one year limited warranty for non-cosmetic parts.

Products located in Canada for which a consumer seeks warranty repairs in Canada must have been purchased in Canada due to regulatory compliance requirements. Products located in Canada that were purchased in the United States must be returned or taken to the United States for warranty repairs at the consumer's cost.

If the product is installed in a motor vehicle, boat or similar mobile facility, you must bring the vehicle, boat or mobile facility containing the product to the service shop at your expense or pay the service technician's travel to the location of the product.

Fisher & Paykel undertakes to:

Repair without cost to the owner, either for material or labor, any part of the product which is found to be defective by Fisher & Paykel, provided the original serial number appears unmarked on the product.

In Alaska, you must pay to ship the product to the service shop or for the service technician's travel to your home. If the product is installed in a motor vehicle, boat or similar mobile facility, you must bring it to the service shop at your expense or pay for the service technician's travel to the location of the product. If we are unable to repair a defective part of the product after a reasonable number of attempts, at our option we may replace the part or the product, or we may provide you a full refund of the purchase price of the product (not including installation or other charges). This warranty extends to the original purchaser and the first subsequent owner of the product for products purchased for ordinary single-family home use. All service under this limited warranty shall be provided by Fisher & Paykel or its Authorized Service Agent during normal business hours.

How long does this limited warranty last?

Our liability under this limited warranty expires TWO YEARS from the date of purchase of the product by the original purchaser for products purchased new at retail. For products purchased open box, factory refurbished or previously returned from an authorized reseller the limited warranty expires ONE YEAR from the date of purchase.

Our liability under any implied warranties, including the implied warranty of merchantability (an unwritten warranty that the product is fit for ordinary use) also expires TWO YEARS (or such longer period as required by applicable law) from the date of purchase of the product by the first consumer and first subsequent owner. Some states do not allow limitations on how long an implied warranty lasts, so this limit on implied warranties may not apply to you

LIMITED WARRANTY

This limited warranty does not cover:

- (A) Service calls that are not related to any defect in the product. The cost of a service call will be charged if the problem is not found to be a defect of the product. For example:
 - ① Correcting faulty installation of the product.
 - ② Instructing you how to use the product.
 - ③ Replacing house fuses, resetting circuit breakers, correcting house wiring or plumbing, or replacing light bulbs.
 - ④ Correcting fault(s) caused by the user.
 - ⑤ Changing the set-up of the product.
 - ⑥ Unauthorized modifications of the product.
 - ⑦ Noise or vibration that is considered normal, for example, drain/fan sounds or user warning beeps.
 - ⑧ Correcting damage caused by pests, for example, rats, cockroaches, etc
- (B) Defects caused by factors other than:
 - ① Normal domestic use; or
 - ② Use in accordance with the product's User guide.
- (C) Defects to the product caused by accident, neglect, misuse, fire, flood or 'act of God'.
- (D) The cost of repairs carried out by non-authorized repairers or the cost of correcting such unauthorized repairs.
- (E) Travel fees and associated charges incurred when the product is installed in a location with limited or restricted access (eg airplane flights, ferry charges, isolated geographic areas).
- (F) Normal recommended maintenance as set out in the product's User guide.

If you have an installation problem contact your dealer or installer. You are responsible for providing adequate electrical, exhausting and other connection facilities.

We may not be responsible for consequential or incidental damages (the cost of repairing or replacing other property damaged if the product is defective or any of your expenses caused if the product is defective). Some States do not allow the exclusion or limitation of incidental or consequential damages, so the above limitation or exclusion may not apply to you.

How to get service

Please read your User guide. If you then have any questions about operating the product, need the name of your local Fisher & Paykel Authorized Service Agent, or believe the product is defective and wish service under this limited warranty, please contact your dealer or call us at:

USA and Canada

TOLL FREE **1.888.9.FNP.USA (1.888.936.7872)**

or use the link at: **www.fisherpaykel.com/locator/servicer/**

You may be required to provide reasonable proof of the date of purchase of the product before the product will be serviced under this limited warranty.

Commercial use

If you are using the product in a commercial setting (any use other than a single family dwelling), we agree to repair or replace, without cost to you for parts only, any defective parts, the serial number of which appears on the product. Our liability for these repairs expires ONE YEAR from the date of original purchase.

At our option we may replace the part or the product, or we may provide you a full refund of the purchase price of the product (not including installation or other charges). All service under this limited warranty shall be provided by Fisher & Paykel or its Authorized Service Agent during normal business hours.

No other warranties

This limited warranty is the complete and exclusive agreement between you and Fisher & Paykel regarding any defect in the product. None of our employees (or our Authorized Service Agents) are authorized to make any addition or modification to this limited warranty.

Warrantor: Fisher & Paykel Appliances, Inc.

If you need further help concerning this limited warranty, please call us at above number, or write to:

Fisher & Paykel Appliances, Inc.
695 Town Center Drive, Suite 180
Costa Mesa
CA 92626

This limited warranty gives you specific legal rights, and you may also have other rights which vary from state to state.

LIMITED WARRANTY

Complete and keep for safe reference:

Model _____

Serial No. _____

Purchase Date _____

Purchaser _____

Dealer _____

City _____

State _____

Zip _____

Country _____

Introduction	43
Consignes de sécurité et mises en garde	44
Instructions d'installation	46
Démarrage	58
Cycles de séchage	60
Options de cycle de séchage	61
Triage et chargement	64
Entretien de votre sècheuse	66
Avant d'effectuer un appel de service	68
Codes de défaillance	69
Dépannage	70
Garantie limitée	75

IMPORTANT!

CONSERVEZ CES INSTRUCTIONS

Les modèles illustrés dans ce Guide d'utilisation peuvent ne pas être disponibles dans tous les pays et sont sujets à modifications sans préavis. Pour les plus récentes informations sur la disponibilité des modèles et des caractéristiques dans votre pays, veuillez visiter notre site Web www.fisherpaykel.com ou contacter votre détaillant Fisher & Paykel local.

Enregistrement

Enregistrez votre produit afin que nous puissions vous offrir un service de la meilleure qualité possible.

Pour enregistrer votre produit, visitez notre site Web : www.fisherpaykel.com

Bienvenue dans le monde de votre nouvelle sècheuse à condensation

Nous vous remercions d'avoir acheté cette sècheuse Fisher & Paykel. Votre nouvelle sècheuse vous procure la commodité du séchage par culbutage et l'avantage de ne pas exposer vos vêtements aux effets néfastes du séchage excessif au soleil. Vos vêtements seront plus doux, conserveront leur forme plus longtemps et nécessiteront moins de repassage.

Chez Fisher & Paykel, notre but est de vous offrir des produits novateurs qui sont simples d'utilisation, ergonomiques, éconergétiques et écologiques. Des milliers de brassées et 75 années d'expertise dans les appareils de buanderie nous ont permis de concevoir cette sècheuse de façon à vous offrir un rendement optimal.

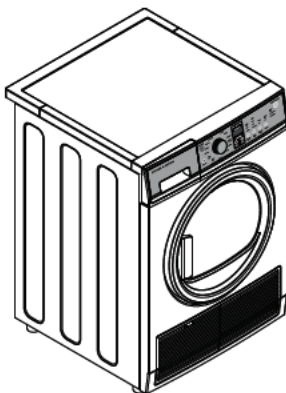
Votre sècheuse offre l'avantage de ne pas nécessiter d'évacuation vers l'extérieur; elle condense plutôt l'humidité des vêtements pour ensuite la recueillir dans un réservoir d'eau, ou encore l'acheminer directement à un drain.

Cette sècheuse est spécialement conçue pour compléter nos laveuses à chargement frontal Fisher & Paykel WashSmart™ et FabricSmart™. Nous sommes très fiers de cette sècheuse et avons confiance qu'elle vous sera très utile pendant de nombreuses années.

Votre sècheuse à condensation propose divers cycles et options vous permettant d'effectuer toutes les tâches de séchage (y compris le séchage à plat) avec la plus grande facilité, en consacrant moins de temps à la lessive. Comme elle peut détecter automatiquement le moment où vos vêtements sont secs, votre sècheuse est plus efficace et vous permet d'économiser de l'argent tout en étant respectueux de l'environnement.

Veuillez prendre le temps de lire ces instructions attentivement avant de commencer à utiliser votre sècheuse. Le fait de suivre les conseils présentés dans ce Guide d'utilisation vous permettra de bénéficier du niveau de performance souhaité et d'obtenir les meilleurs résultats possible lors du séchage. Conservez ces instructions pour référence ultérieure et remettez-les avec votre sècheuse à tout nouveau propriétaire.

Nous espérons que vous apprécierez votre nouvelle sècheuse. C'est avec beaucoup de plaisir que nous l'avons conçue pour vous.



Sècheuse à condensation

Lisez toutes les instructions avant d'utiliser l'appareil.

⚠ MISE EN GARDE!



Risque de choc électrique
Suivez les consignes de sécurité indiquées dans ce Guide d'utilisation.
Le fait de ne pas respecter cette consigne peut causer la mort ou un choc électrique.

CONSIGNES DE SÉCURITÉ IMPORTANTES

MISE EN GARDE!

Pour réduire les risques d'incendie, d'explosion, de choc électrique ou de blessures lors de l'utilisation de votre appareil, veuillez suivre les consignes de base, notamment :

- Lisez toutes les instructions avant d'utiliser l'appareil.
- Une fois installée, cette sècheuse doit être mise à la terre en conformité avec les codes locaux, ou en l'absence de tels codes, avec la norme ANSI/NFPA 70 du National Electrical Code ou la norme CSA C22.1 du Code canadien de l'électricité.
- NE séchez PAS d'articles qui ont été précédemment nettoyés, lavés, trempés dans, ou encore tachés par de l'essence, des solvants de nettoyage à sec ou toute autre substance inflammable ou explosive, car elles produisent des vapeurs risquant de s'enflammer ou d'exploser.
- NE placez PAS d'articles exposés à des huiles de cuisson dans votre sècheuse. Les articles contaminés par des huiles de cuisson peuvent contribuer à une réaction chimique risquant d'enflammer une brassée. Pour réduire les risques d'incendie résultant de brassées contaminées, l'étape finale du cycle de séchage par culbutage s'effectue sans chaleur (période de refroidissement). Évitez d'arrêter une sècheuse à culbutage avant la fin du cycle de séchage, à moins que tous les articles soient rapidement retirés et étendus afin que la chaleur se dissipe.
- NE permettez PAS aux enfants de jouer sur ou dans cet appareil. Il est important de bien surveiller les enfants lorsque cet appareil est utilisé à proximité d'enfants.
- Avant de mettre l'appareil hors service ou au rebut, retirez la porte du compartiment de séchage.
- N'introduisez PAS les mains dans l'appareil pendant que le tambour tourne.
- N'installez ou n'entreposez PAS cet appareil à un endroit où il serait exposé à des intempéries.
- NE modifiez PAS les commandes de réglage.
- NE réparez ou remplacez PAS les pièces de cet appareil et ne tentez d'effectuer aucun entretien, à moins que ce ne soit spécifiquement recommandé dans les instructions d'entretien pour l'utilisateur ou le guide de réparation de l'utilisateur, si vous comprenez bien les instructions et possédez les connaissances requises.
- N'utilisez PAS d'assouplisseurs ni de produits similaires pour éliminer l'électricité statique, à moins que ce ne soit recommandé par le fabricant.
- NE séchez PAS d'articles contenant du caoutchouc mousse ou d'autres matériaux à texture similaire.
- Nettoyez le grillage à charpie avant ou après chaque brassée.
- NE faites PAS fonctionner la sècheuse sans le filtre à charpie et le condensateur en place.

- **NE rangez PAS** de matériaux combustibles, de l'essence ou d'autres liquides inflammables à proximité de la sécheuse. Gardez la zone autour de l'ouverture d'admission d'air à l'avant de la sécheuse et les zones environnantes exemptes de charpie, poussière et saletés.
- L'intérieur de l'appareil doit être nettoyé périodiquement par un technicien qualifié.
- Débranchez l'appareil ou coupez le courant au disjoncteur avant de procéder à l'entretien. Le fait d'appuyer sur la touche 'POWER' (alimentation) ou ► **NE** déconnecte **PAS** l'alimentation.
- **NE faites PAS** fonctionner cet appareil s'il est endommagé, s'il ne fonctionne pas correctement, s'il est partiellement démonté, si des pièces sont brisées ou détachées ou si la fiche ou le cordon d'alimentation est endommagé.
- **NE vaporisez PAS** de produit en aérosol d'un type quelconque sur la sécheuse ou à proximité de celle-ci, en aucun moment. N'utilisez **PAS** de nettoyant en vaporisateur d'un type quelconque lors du nettoyage de l'intérieur de la sécheuse. Des émanations dangereuses ou un choc électrique pourraient se produire.
- Consultez 'Informations relatives au raccordement électrique pour les sécheuses électriques' dans les Instructions d'installation pour obtenir les instructions de mise à la terre.

MISE EN GARDE!

Ce produit contient un produit chimique reconnu par l'État de la Californie comme étant cancérigène, source d'anomalies congénitales ou nuisible à la reproduction. Pour obtenir plus d'informations sur ces réglementations et une liste des produits chimiques, visitez : <https://oehha.ca.gov/proposition-65/general-info/proposition-65-plain-language>.

INSTRUCTIONS D'INSTALLATION

Avant de commencer

Lisez toutes ces instructions attentivement.

IMPORTANT!

Conservez ces instructions pour permettre à l'inspecteur de conformité électrique local de les consulter.

IMPORTANT!

Respectez tous les codes et règlements en vigueur.

- Installez la sécheuse en respectant les instructions du fabricant et les codes locaux.
- **Remarque à l'intention de l'installateur** – Assurez-vous de remettre ces instructions au client.
- **Remarque à l'intention du client** – Conservez ces instructions pour référence ultérieure.
- L'installation de la sécheuse **doit** être effectuée par un installateur ayant une formation adéquate.
- Avant de mettre l'ancienne sécheuse hors service ou au rebut, retirez la porte de la sécheuse.
- Les renseignements de service et le schéma de câblage sont situés dans la console de commande.
- Ne permettez pas aux enfants de monter sur ou dans l'appareil. Il est important de bien surveiller les enfants lorsque l'appareil est utilisé à proximité d'enfants.
- L'installateur a la responsabilité d'installer cette sécheuse correctement.
- Les problèmes de fonctionnement résultant d'une installation incorrecte ne sont pas couverts par la garantie limitée.
- Installez la sécheuse à un endroit où la température est supérieure à 50 °F (10 °C) pour assurer le fonctionnement satisfaisant du système de commande de la sécheuse.

⚠ MISE EN GARDE!



Risque d'incendie

- L'installation de la sécheuse doit être effectuée par un installateur ayant une formation adéquate.
- Installez la sécheuse en respectant ces instructions et les codes locaux.
- N'installez et n'entrez PAS cet appareil dans un endroit où il pourrait être exposé à l'eau ou aux intempéries.
- Pour réduire les risques de blessures graves ou mortelles, suivez toutes les instructions d'installation.
- Conservez ces instructions. (Installateurs : Assurez-vous de remettre ces instructions au client.)

Si vous prévoyez de superposer la laveuse et la sécheuse, commandez séparément un ensemble de superposition pour cette sécheuse.

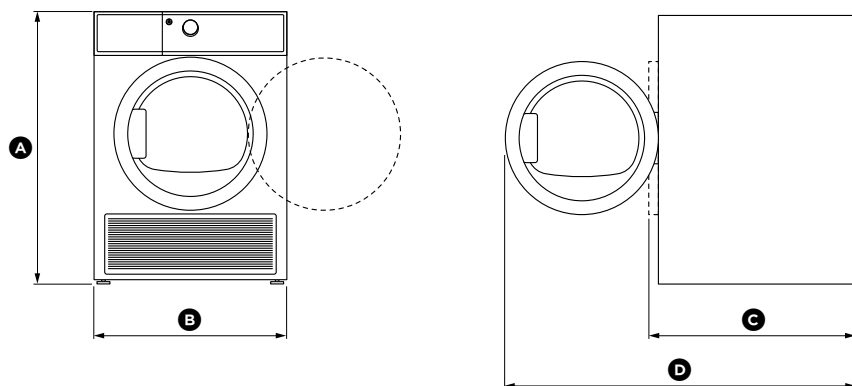
Déballage de votre sécheuse

Inclinez la sécheuse sur le côté et retirez les pièces de livraison en mousse en tirant sur les côtés, pour ensuite les enlever des pattes de la sécheuse. Assurez-vous de retirer toutes les pièces en mousse autour des pattes.

Retirez et conservez le sac contenant la documentation.



Dimensions du produit



DE4024P

DIMENSIONS DU PRODUIT		pouces (mm)
Ⓐ	Hauteur hors tout du produit*	33 1/4 po (845)
Ⓑ	Largeur hors tout du produit	23 7/16 po (595)
Ⓒ	Profondeur hors tout du produit (incluant le bouton et la porte lorsque fermée)	25 1/4 po (640)
Ⓓ	Profondeur jusqu'à la porte ouverte	42 po (1 067)
CAPACITÉ MAXIMALE†		kg
		8,0

* Remarque :

Avec les pattes de nivellement rétractées : 33 1/4 po (84,5 cm).

Avec les pattes de nivellement entièrement déployées : 33 5/8 po (85,4 cm).

Superposée : 66 1/2 po (168,9 cm).

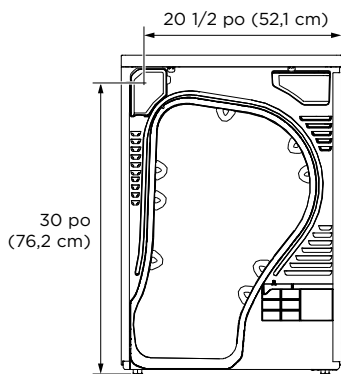
† La capacité désigne le poids **à sec** maximal des articles que l'appareil peut sécher à la fois.

Remarque : certains cycles ont une capacité maximale inférieure (consultez la section 'Cycles de séchage').

Dimensions pour le raccordement électrique

Cordons d'alimentation

Fisher & Paykel Appliances recommande vivement l'utilisation de pièces spécifiées en usine. Sélectionnez le cordon d'alimentation en fonction des exigences pour votre installation.



Vue de derrière

INSTRUCTIONS D'INSTALLATION

Exigences pour l'installation dans une alcôve ou un placard

MISE EN GARDE!



Risque d'explosion

- **Gardez les substances et vapeurs inflammables, telles que l'essence, à distance de la sècheuse.**
- **Pour une installation dans un garage, placez la sècheuse à un minimum de 18 po (46 cm) au-dessus du sol.**
- **Le fait de ne pas respecter ces consignes peut entraîner la mort, une explosion ou un incendie.**

- Le dégagement minimal entre la sècheuse et les murs adjacents ou autres surfaces est :
3/4 po (20 mm) - côtés, devant et dessus
1 po (25,4 mm) - derrière
- Vous devez prévoir un dégagement suffisant pour assurer l'installation et l'entretien adéquats de l'appareil.
- Les portes de placard doivent être des portes-persiennes ou des portes ventilées avec un espace libre d'au moins 60 pouces carrés (387 cm²). Si le placard contient une laveuse et une sècheuse, les portes doivent contenir un minimum de 120 pouces carrés (774 cm²) d'espace libre.

Dégagement minimal pour les installations autres que dans une alcôve ou un placard

- Voici le dégagement minimal requis entre l'appareil et les surfaces combustibles, ainsi que pour l'ouverture d'aération :
3/4 po (20 mm) - côtés et dessus
1 po (25,4 mm) - derrière
- Vous devez prévoir un dégagement suffisant pour assurer l'installation et l'entretien adéquats de l'appareil.

Installation dans une maison mobile ou préfabriquée

- L'installation DOIT être effectuée conformément à la norme MANUFACTURED HOME CONSTRUCTION AND SAFETY STANDARD, TITRE 24, PARTIE 3280 ou STANDARD FOR MOBILE HOMES CAN/CSA-Z240 MH ou, lorsque de telles normes sont inapplicables, à la norme AMERICAN NATIONAL STANDARD FOR MOBILE HOME, ANSI/NFPA 501B.
- Prévoyez une ouverture avec un espace libre d'un minimum de 25 pouces carrés (161 cm²) pour laisser pénétrer l'air extérieur dans la pièce de la sècheuse.
- Consultez les sections des informations relatives au raccordement électrique.

Installation dans une salle de bains ou une chambre à coucher

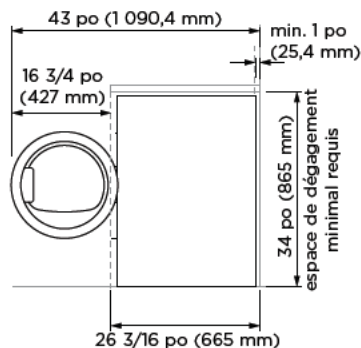
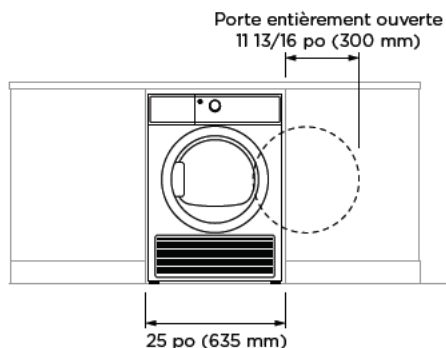
L'installation doit être effectuée en conformité avec les codes locaux, ou en l'absence de tels codes, avec la norme ANSI/NFPA 70 du NATIONAL ELECTRICAL CODE (pour les sècheuses électriques).

Installation sous le comptoir

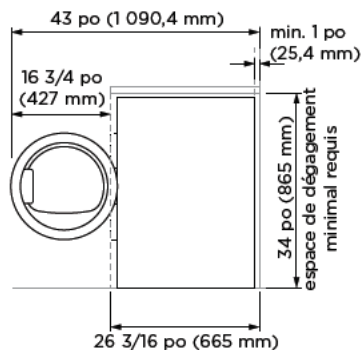
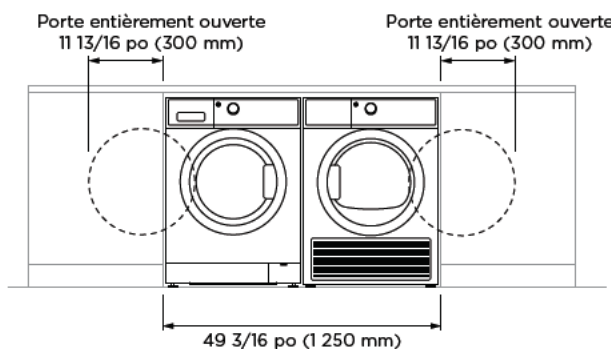
Si une installation sous le comptoir est souhaitée :

- Aucun ensemble spécial d'installation de sècheuse n'est requis.
- Si la sècheuse est installée seule, un minimum de 60 pouces carrés (387 cm²) d'espace libre est requis. Si une laveuse et une sècheuse sont installées ensemble, un minimum de 120 pouces carrés (774 cm²) d'espace libre est requis.

Sècheuse installée seule



Laveuse et sècheuse installées ensemble



INSTRUCTIONS D'INSTALLATION

Raccordement d'une sècheuse électrique

Outils requis :



Pincès à raccord
couissant



Niveau



Tournevis à
tête étoilée



Tournevis à
tête plate

Matériaux requis :



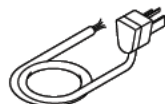
Lunettes de
sécurité



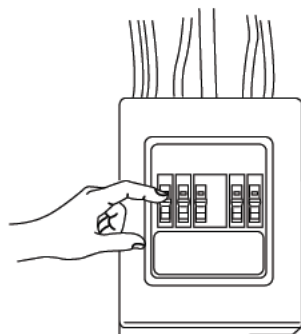
Gants



Serre-câble de 3/4 po
(approuvé UL)



Ensemble de cordon d'alimentation de sècheuse (non fourni avec la sècheuse)
Homologué UL 120/240 V, 30 A avec 3 ou 4 broches. Avant de vous procurer
le cordon, identifiez le type de fiche correspondant à la prise électrique dans
votre maison. Les installations superposées peuvent nécessiter un cordon
d'alimentation mesurant jusqu'à 6 pieds (1,8 m) de longueur.



Avant d'effectuer le raccordement électrique, coupez le
courant au(x) disjoncteur(s) ou retirez le(s) fusible(s) de
la sècheuse dans le coffret électrique. Assurez-vous de
débrancher le cordon d'alimentation de la sècheuse de la
prise de courant.

IMPORTANT!

Ne laissez jamais le bloc de jonction sans couvercle d'accès.

Informations relatives au raccordement électrique pour les sècheuses électriques

Pour les raccordements électriques à l'aide d'un cordon d'alimentation :

MISE EN GARDE!



Risque d'incendie

- Utilisez un nouveau cordon d'alimentation électrique pour sècheuse homologué UL de 240 V 30 ampères avec bornes à anneau fermé ou embrochables avec extrémités tournées vers le haut.
- Utilisez un serre-câble homologué UL.
- Déconnectez l'alimentation avant d'effectuer les raccordements électriques.
- Connectez le fil neutre (fil blanc ou central) à la borne centrale.
- Le fil de mise à la terre (vert ou dénudé) doit être connecté au connecteur vert de mise à la terre.
- Connectez les deux fils d'alimentation restants aux deux autres bornes.
- Serrez fermement tous les raccordements électriques.
- Réinstallez le couvercle du bloc de jonction.
- Le fait de ne pas respecter ces instructions peut causer la mort, un incendie ou un choc électrique.

Instructions de mise à la terre

Pour une sècheuse mise à la terre, raccordée par cordon :

Cette sècheuse doit être mise à la terre. En cas de bris ou de problème de fonctionnement, la mise à la terre réduit les risques d'électrocution en offrant un trajet de moindre résistance au courant électrique. Cette sècheuse utilise un cordon d'alimentation muni d'un conducteur et d'une fiche avec mise à la terre. Cette fiche doit être branchée dans une prise correctement installée et mise à la terre en respectant tous les codes et règlements locaux.

MISE EN GARDE!

Le raccordement inadéquat du conducteur de mise à la terre de cet appareil peut entraîner un risque de choc électrique. Contactez un électricien ou un technicien ou représentant de service qualifié si vous n'êtes pas certain que l'appareil est correctement mis à la terre. NE modifiez PAS la fiche du cordon d'alimentation électrique. Si vous ne parvenez pas à l'insérer dans la prise murale, faites installer une prise adéquate par un électricien qualifié.

CONSERVEZ CES INSTRUCTIONS

Informations relatives au raccordement électrique pour les sècheuses électriques

Pour le raccordement direct des fils :

MISE EN GARDE!



Risque d'incendie

- Utilisez du fil de cuivre de calibre 10.
- Utilisez un serre-câble homologué UL.
- Déconnectez l'alimentation avant d'effectuer les raccordements électriques.
- Connectez le fil neutre (fil blanc ou central) à la borne centrale.
- Le fil de mise à la terre (vert ou dénudé) doit être connecté au connecteur vert de mise à la terre.
- Connectez les deux fils d'alimentation restants aux deux autres bornes.
- Serrez fermement tous les raccordements électriques.
- Réinstallez le couvercle du bloc de jonction.
- Le fait de ne pas respecter ces instructions peut causer la mort, un incendie ou un choc électrique.

Instructions de mise à la terre

Pour une sècheuse raccordée de façon permanente :

Cette sècheuse doit être reliée à un système de câblage métallique permanent mis à la terre, ou un conducteur de mise à la terre d'équipement doit accompagner les conducteurs de circuit et être raccordé à la borne de mise à la terre d'équipement sur l'appareil.

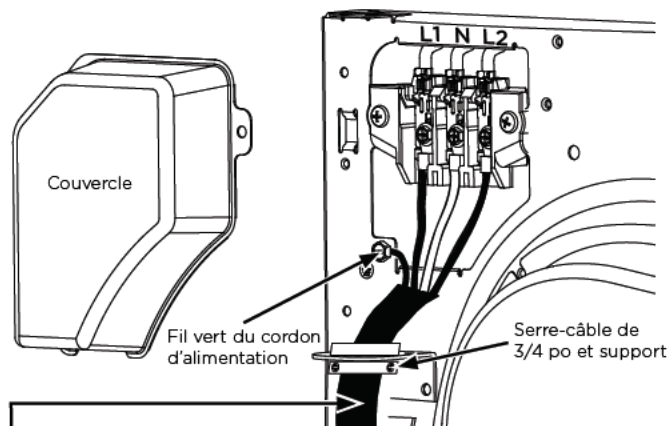
MISE EN GARDE!

Le raccordement inadéquat du conducteur de mise à la terre de cet appareil peut entraîner un risque de choc électrique. Contactez un électricien ou un technicien ou représentant de service qualifié si vous n'êtes pas certain que l'appareil est correctement mis à la terre.

CONSERVEZ CES INSTRUCTIONS

Branchement de la sécheuse à l'aide d'un raccordement à 4 fils (doit être utilisé pour l'installation dans une maison mobile)

Remarque : depuis le 1^{er} janvier 1996, le National Electrical Code exige que les nouvelles constructions utilisent un raccordement à 4 fils pour le branchement d'une sécheuse électrique. Un cordon à 4 fils doit également être utilisé dans les endroits où les codes locaux ne permettent pas la mise à la terre de l'appareil à l'aide du conducteur neutre. Un raccordement à 3 fils ne doit PAS être utilisé dans les nouvelles constructions.



4 conducteurs en cuivre de calibre 10 AWG minimum ou ensemble de cordon d'alimentation de 120/240 V, 30 A marqué pour l'utilisation avec des sécheuses et fourni avec des bornes à boucle fermée ou embrochables avec extrémités tournées vers le haut (non fournies)

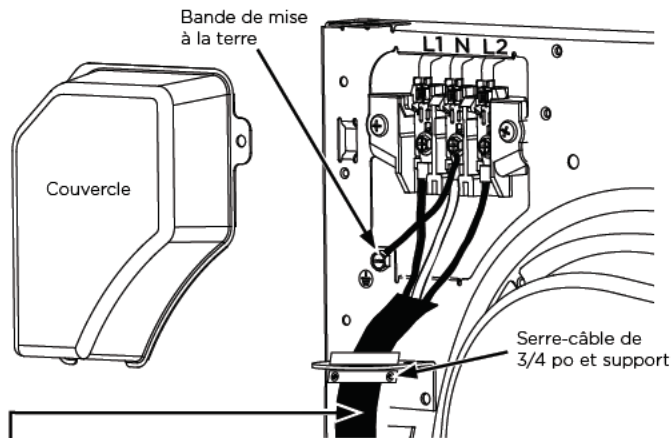
- ① Coupez le courant au(x) disjoncteur(s) (30 ampères) ou retirez le fusible de la sécheuse dans le coffret électrique.
- ② Assurez-vous de débrancher le cordon d'alimentation de la sécheuse de la prise de courant.
- ③ Retirez le couvercle de cordon d'alimentation situé dans le haut, à l'arrière.
- ④ Retirez la vis verte de mise à la terre et conservez-la pour l'utiliser à l'Étape ⑦. Retirez la vis centrale (marquée N) dans le bloc de jonction. Retirez la bande de mise à la terre et mettez-la au rebut.
- ⑤ Installez un serre-câble de 3/4 po approuvé UL à l'ouverture d'admission du cordon d'alimentation. Faites passer le cordon d'alimentation dans le serre-câble et le support.
- ⑥ Connectez le cordon d'alimentation comme suit :
 - A. Connectez les 2 conducteurs sous charge aux vis externes (marquées L1 et L2) du bloc de jonction.
 - B. Connectez le conducteur neutre (blanc) à la vis centrale (marquée N) du bloc de jonction.
- ⑦ Fixez le fil de mise à la terre du cordon d'alimentation avec la vis verte de mise à la terre (ouverture au-dessus du support de serre-câble). Serrez solidement toutes les vis (3) du bloc de jonction.
- ⑧ Fixez correctement le cordon d'alimentation au serre-câble et au support.
- ⑨ Réinstallez le couvercle.

IMPORTANT!

Ne laissez jamais le bloc de jonction sans couvercle.

Branchement de la sécheuse à l'aide d'un raccordement à 3 fils

Si les codes locaux l'exigent, installez une mise à la terre externe (non fournie) à l'aide d'une conduite d'eau froide métallique mise à la terre ou à tout autre point convenable de mise à la terre, déterminé par un électricien qualifié.



3 conducteurs en cuivre de calibre 10 AWG minimum ou ensemble de cordon d'alimentation de 120/240 V, 30 A marqué pour l'utilisation avec des sécheuses et fourni avec des bornes à boucle fermée ou embrochables avec extrémités tournées vers le haut (non fournies)

Raccordement à 3 fils

- À ne pas utiliser au Canada.
 - NE PAS utiliser pour les installations dans une maison mobile.
 - NE PAS utiliser dans les nouvelles constructions.
 - NE PAS utiliser dans les véhicules récréatifs.
 - NE PAS utiliser dans les endroits où les codes locaux interdisent l'utilisation d'une mise à la terre à l'aide du conducteur neutre.
- ① Coupez le courant au(x) disjoncteur(s) (30 ampères) ou retirez le fusible de la sécheuse dans le coffret électrique.
 - ② Assurez-vous de débrancher le cordon d'alimentation de la sécheuse de la prise de courant.
 - ③ Retirez le couvercle de cordon d'alimentation situé dans le haut, à l'arrière.
 - ④ Installez un serre-câble de 3/4 po approuvé UL à l'ouverture d'admission du cordon d'alimentation. Faites passer le cordon d'alimentation dans le serre-câble et le support.
 - ⑤ Connectez le cordon d'alimentation comme suit :
 - A. Connectez les 2 conducteurs sous charge aux vis externes (marquées L1 et L2) du bloc de jonction.
 - B. Connectez le conducteur neutre (blanc) à la vis centrale (marquée N) du bloc de jonction.
 - ⑥ Assurez-vous que la bande de mise à la terre soit connectée à la vis verte de mise à la terre située à l'arrière de l'appareil. Serrez solidement toutes les vis (3) du bloc de jonction.
 - ⑦ Fixez correctement le cordon d'alimentation au serre-câble et au support.
 - ⑧ Réinstallez le couvercle.

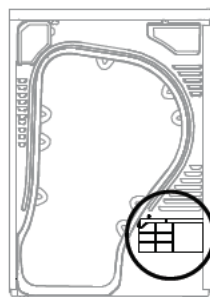
IMPORTANT!

Ne laissez jamais le bloc de jonction sans couvercle.

Raccordement du tuyau d'évacuation

Évacuation de l'eau sans utiliser le réservoir d'eau

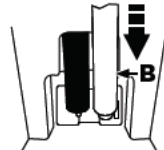
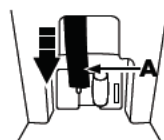
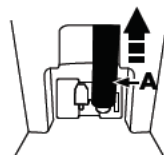
Vous pouvez utiliser la sècheuse sans le réservoir d'eau en suivant les procédures ci-dessous.



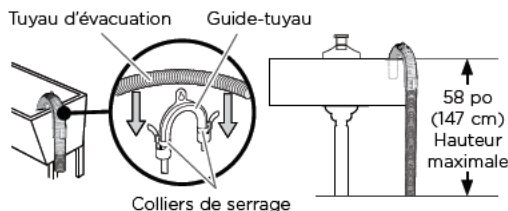
Vue de derrière

Pour raccorder le tuyau d'évacuation :

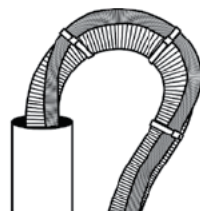
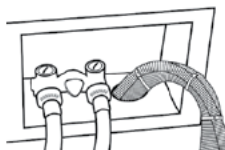
- ① Déconnectez le tuyau d'évacuation **A**.
- ② Raccordez le tuyau d'évacuation **A** à l'autre ouverture.
- ③ Raccordez le tuyau accessoire **B** (tuyau d'évacuation long) à côté du tuyau **A**.
 - Lors du raccordement du tuyau **B**, veillez à ce que la hauteur du tuyau ne dépasse pas 58 po (147 cm).
 - Après le raccordement du tuyau d'évacuation, vous pouvez évacuer directement l'eau condensée vers une conduite verticale ou un lavabo.



- ④ Sur le rebord d'un lavabo : Le tuyau d'évacuation doit être placé à une hauteur inférieure à 58 po (147 cm). Pour garder l'extrémité du tuyau d'évacuation courbée, utilisez le guide-tuyau en plastique fourni avec la laveuse. Fixez le guide au mur avec un crochet ou au robinet avec une ficelle pour empêcher le tuyau d'évacuation de se déplacer.
- ⑤ Assemblez le tuyau d'évacuation et le guide-tuyau, puis fixez-les avec le collier de serrage.



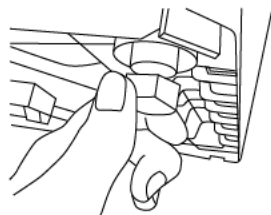
Ne poussez pas le tuyau d'évacuation de plus de 4 po (10 cm) dans la conduite verticale. En le poussant davantage dans la conduite verticale, vous risquez de causer une fuite.



Configuration finale

① Mettez la sécheuse de niveau

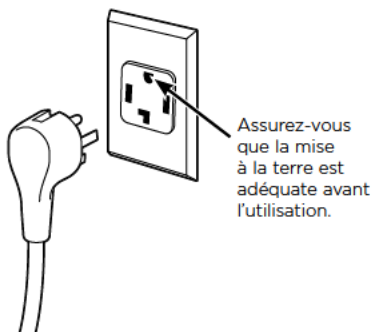
Placez la sécheuse à la verticale près de l'emplacement final et ajustez les quatre pattes de nivellement dans les coins afin que la sécheuse soit de niveau de droite à gauche et d'avant en arrière.



Mise de niveau des pattes

② Branchez la sécheuse

Remarque : les installations superposées peuvent nécessiter un cordon d'alimentation mesurant jusqu'à 6 pieds (1,8 m) de longueur.



③ Démarrez la sécheuse

Appuyez sur la touche 'POWER'.

Remarque : si la sécheuse a été exposée à des températures sous le point de congélation pendant de longues durées, laissez-la réchauffer avant d'appuyer sur 'POWER'. Sinon, l'afficheur ne s'activera pas.



La sécheuse est maintenant prête à l'utilisation.

Pour terminer l'installation

Cycle de test d'installation

IMPORTANT!

Assurez-vous que le cycle de test d'installation soit terminé avant de sécher des articles dans votre sècheuse. Cela permet de vérifier que la sècheuse est installée correctement et qu'elle fonctionne adéquatement avant l'utilisation.

- ① Mettez votre sècheuse en marche en appuyant sur la touche 'POWER'.
- ② Sélectionnez le cycle 'Time Dry' (séchage minuté) (30 minutes). Assurez-vous que le tambour est vide et la porte fermée (vous l'entendrez émettre un clic).
- ③ Appuyez sur la touche ►|| Le tambour commencera à tourner.
 - Vérifiez si l'appareil présente un problème quelconque.
 - La sècheuse émettra un bip sonore et affichera la défaillance sur l'écran en cas de problème. Consultez les pages 68 et 69.
- ④ À la fin du cycle, ouvrez la porte et vérifiez si l'intérieur de la sècheuse est chaud. Cela indique que la sècheuse fonctionne normalement.

IMPORTANT!

En cas de problème, vous devez résoudre celui-ci avant de poursuivre avec l'utilisation normale. La sècheuse s'éteint automatiquement à la fin du cycle s'il n'y a aucun problème.

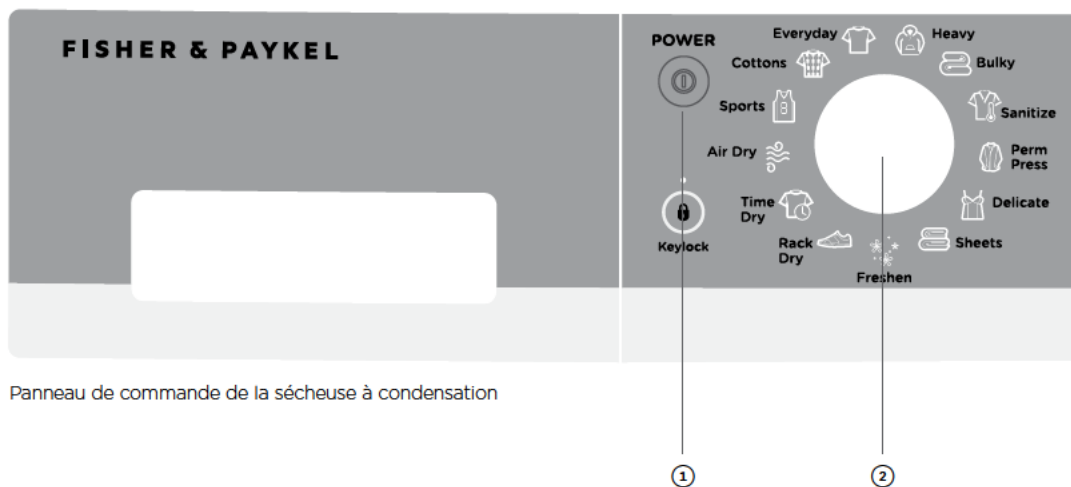
Avant de démarrer, il est préférable de passer en revue la liste de vérification suivante :

- ① L'emballage a-t-il été retiré?
- ② L'appareil est-il correctement mis de niveau et les coins sont-ils dégagés du sol et des murs?
- ③ Le réservoir d'eau, le condensateur et le filtre à charpie sont-ils correctement installés?
- ④ Le cordon d'alimentation est-il connecté à une alimentation électrique adéquate et l'alimentation est-elle activée?
- ⑤ Avez-vous effectué le cycle de test d'installation?
- ⑥ Si une évacuation externe est préférée, le tuyau d'évacuation est-il fixé à la bonne sortie et accroché dans une conduite verticale ou une cuve à lessive?

MISE EN GARDE!

Pour réduire les risques d'incendie, de choc électrique ou de blessures, lisez les CONSIGNES DE SÉCURITÉ IMPORTANTES avant d'utiliser cet appareil.

- Vérifiez que le filtre à charpie est propre et le réservoir d'eau est vide avant chaque utilisation. Assurez-vous qu'ils soient tous deux réinstallés correctement avant l'utilisation de votre sècheuse.
 - Triez et chargez les articles dans le tambour de la sècheuse, en veillant à ce qu'aucun article ne soit coincé dans la porte. Fermez la porte (vous l'entendrez émettre un clic).
- ① Appuyez sur 'POWER' pour activer votre sècheuse.
 - ② Votre sècheuse sélectionnera par défaut le cycle 'Everyday' (quotidien). Sélectionnez le cycle de séchage souhaité en tournant le bouton de commande SmartTouch™.
 - ③ Sélectionnez les options de séchage de votre choix en utilisant les touches SmartTouch™ dans la partie droite du panneau (si vous souhaitez sélectionner des options différentes des options programmées par défaut pour le cycle).
 - ④ Appuyez sur la touche ►|| pour démarrer le cycle.

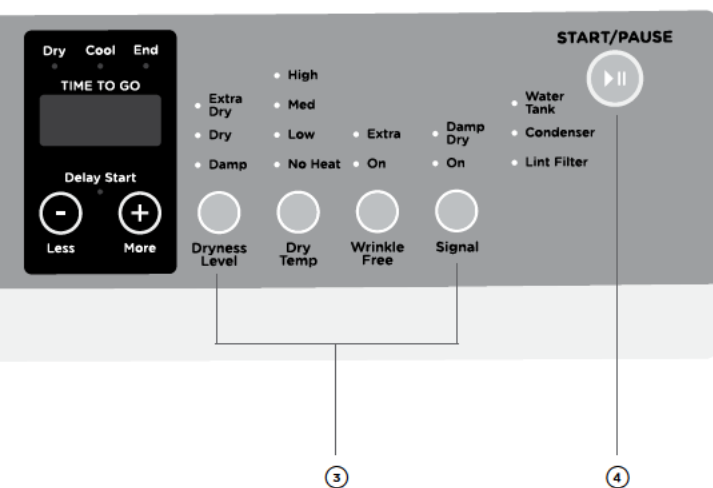


Panneau de commande de la sècheuse à condensation

- Lorsque vous effectuez une sélection invalide, la sècheuse émet un bip sonore pour vous avertir.
- Une fois le cycle terminé, votre sècheuse émet un bip sonore, puis elle s'éteint automatiquement. Lorsque l'option 'Wrinkle Free' (sans froissement) est sélectionnée, le tambour tourne périodiquement et la sècheuse souffle de l'air frais dans celui-ci afin de prévenir le froissement et les faux plis de vos vêtements.
- Si vous souhaitez arrêter votre sècheuse à tout moment pendant un cycle, appuyez simplement sur ►|| pour interrompre le cycle, puis ouvrez la porte.
- Si vous souhaitez annuler un cycle ou sélectionner une option différente après le démarrage d'un cycle de séchage, appuyez sur la touche ►|| et sélectionnez le nouveau cycle ou la nouvelle option. Appuyez sur ►|| pour redémarrer la sècheuse avec le nouveau cycle et/ou les nouveaux réglages.

IMPORTANT!

- **Si vous souhaitez arrêter la sècheuse avant la fin du cycle, vous DEVEZ retirer les vêtements IMMÉDIATEMENT et les étendre pour qu'ils refroidissent. NE laissez PAS les vêtements à l'intérieur de la sècheuse ou entassés dans un panier à linge. Soyez très prudent, car le tambour et les articles de la brassée peuvent être extrêmement chauds.**
- **Le fait de ne pas respecter les consignes de ce guide peut causer des dommages à vos vêtements et compromettre le rendement de la sècheuse.**



CYCLES DE SÉCHAGE



Votre sècheuse propose divers cycles de séchage pour répondre à tous vos besoins. Le fait de sélectionner le cycle le mieux adapté à chacune de vos brassées vous aidera à obtenir les meilleurs résultats.

CYCLE	CONÇU POUR	DESCRIPTION	TAILLE DE BRASSÉE MAX. (KG)
Cottons (cotons)	Articles en coton et la plupart des linges.	Cycle à chaleur élevée pour les articles en coton et les linges.	8
Everyday (quotidien)	Brassées mixtes constituées de cotons et polyesters mélangés. Vêtements décontractés.	Cycle pour séchage rapide des vêtements de tous les jours.	8
Heavy (intensif)	Vêtements épais et résistants, comme les chandails en coton molletonné/ chandails de travail et jeans.	Cycle prolongé à chaleur élevée pour les tissus épais et denims.	8
Bulky (volumineux)	Grands manteaux, couvre-lits, couvre-matelas, sacs de couchage, couvertures, couettes, vestes, petits tapis et articles de grande taille et volumineux semblables.	Cycle à chaleur moyenne pour le soin particulier des articles volumineux.	4
Sanitize (désinfection)	Literie, linges à vaisselle, chaussettes.	Cycle à chaleur élevée permettant de réduire de 99,6 % certains types de bactéries, y compris : Staphylocoque doré et Pseudomonas aeruginosa. Le processus antibactérien s'effectue lorsque la chaleur élevée est utilisée pendant une partie de ce cycle de séchage.	8
Permanent Press (sans repassage)	Tenues d'affaires et vêtements qui froissent facilement.	Cycle court à chaleur moyenne avec option 'Wrinkle Free' sélectionnée pour les articles facilement froissables.	4
Delicate (délicat)	Lingerie et tissus nécessitant un soin spécial.	Cycle plus court et froid pour sécher soigneusement les tissus délicats et sensibles à la chaleur.	4
Sheets (draps)	Draps, taies d'oreiller et housses de couette.	Cycle à chaleur élevée avec inversion pour faciliter le mouvement des articles de grande taille tels que les draps et les housses de couette, tout en évitant l'emmêlement.	4
Freshen (rafrâichir)	Articles rangés ou non portés/ utilisés pendant un certain temps.	Cycle court avec une augmentation de chaleur suivie d'air frais pour aider à défroisser et rafraîchir les articles.	1 - 3 articles
Rack Dry (séchage sur grille)	Séchage d'articles délicats sans culbutage.	Utilisez l'accessoire de grille de séchage. Placez les articles tels que les chandails de laine et tissus délicats à plat sur la grille de séchage. Séchez à faible chaleur.	1 - 2 articles
Time Dry (séchage minuté)	Séchage des articles pendant une durée sélectionnée.	Cycle avec durée de séchage de 30 - 150 minutes sélectionnable par l'utilisateur.	8
Air Dry (séchage à l'air)	Séchage des articles pendant une durée spécifique, sans chaleur.	Cycle de 40 minutes sans chaleur.	8
Sports	Articles de sport, comme les tenues de course.	Cycle à chaleur faible conçu pour le soin particulier des articles de sport.	4

Tous les cycles de séchage sont programmés par défaut avec les options recommandées pour le cycle en fonction de la taille de brassée moyenne prévue pour le séchage à l'aide de ce cycle. Vous pouvez sélectionner les options (par ex. : 'Dryness Level', 'Dry Temp') pour créer votre cycle souhaité. Remarque : certaines options ne sont pas disponibles pour certains cycles parce qu'elles risquent d'endommager les vêtements ou ne sont pas appropriées pour le cycle en question.

Pour changer une option de séchage ou des options sélectionnées après le démarrage d'un cycle, appuyez sur ►II et sélectionnez le nouveau réglage, puis appuyez de nouveau sur ►II pour reprendre le cycle avec le(s) nouveau(x) réglage(s).

Remarque : certaines options pourraient ne pas être disponibles dans certaines conditions et après certaines étapes du cycle de séchage.

Niveau de séchage

Votre sècheuse vous évite de choisir des temps de séchage inappropriés en détectant le niveau de séchage de la brassée. Lorsque votre sècheuse détecte que les vêtements ont atteint le niveau de séchage sélectionné, elle arrête automatiquement le cycle.

La sècheuse propose cinq niveaux de séchage, de 'Damp' (humide) à 'Extra Dry' (extra sec). Choisissez le niveau de séchage pour votre brassée en fonction du type de vêtements. Si vous trouvez que les vêtements ne sont pas suffisamment secs, sélectionnez le niveau de séchage suivant. Plus le niveau est élevé, plus le temps de séchage augmente et plus les vêtements seront secs.



Niveaux de séchage

Remarque : deux témoins servent à indiquer certains niveaux de séchage. Par exemple, pour obtenir le réglage Damp Dry (séchage humide), les témoins 'Dry' (sec) et 'Damp' (humide) doivent tous deux s'allumer.

Aérer/refroidir (refroidissement)

Lorsque la sècheuse détecte que la brassée est sèche, elle passe automatiquement à la période de refroidissement. La durée minimum est de 5 minutes; elle peut être plus longue selon les conditions d'utilisation dans la salle de lavage.



Mode de refroidissement

Température de séchage

Vous pouvez sélectionner quatre températures de séchage :

- **High (élevée)** : Pour les cotons réguliers ou épais.
- **Medium (moyenne)** : Pour les tissus synthétiques, certains mélanges et articles étiquetés « Infroissable ».
- **Low (faible)** : Pour les tissus délicats, les tissus synthétiques et les articles étiquetés « Séchage par culbutage à basse température ».
- **No Heat (aucune chaleur)** : Cette option peut seulement être utilisée avec les cycles 'Air Dry' et 'Time Dry', qui agitent les articles par culbutage sans chaleur.



Température de séchage

Appuyez sur la touche 'Dry Temp' (température de séchage) jusqu'à ce que le témoin de la température de séchage souhaitée s'allume.

Sans froissement

Si vous souhaitez éviter de froisser les vêtements, sélectionnez l'une des options 'Wrinkle Free'. À la fin du cycle, le tambour tournera périodiquement et de l'air frais circulera dans la brassée pour prévenir le froissement et les faux plis. Cette option est particulièrement utile si vous ne pouvez pas retirer les articles immédiatement à la fin du cycle. Vous disposez de deux options de séchage sans froissement :

'On' (activée) permet d'utiliser 'Wrinkle Free' pendant 2 heures.
'Extra' permet d'utiliser 'Wrinkle Free' pendant 24 heures.

Si vous souhaitez arrêter la sécheuse à un moment quelconque pendant l'étape 'Wrinkle Free' du cycle, appuyez simplement sur ►||. Vous pouvez alors ouvrir la porte de la sécheuse et retirer vos articles. Appuyez sur 'POWER' pour arrêter le cycle et éteindre la sécheuse.



Option Wrinkle Free

Signal

L'option 'Signal' est réglée automatiquement à 'On' pour tous les cycles. Cela signifie qu'une série de bips sonores sera émise à la fin d'un cycle pour vous avertir que le séchage est terminé. Vous pouvez désactiver l'option 'Signal' en appuyant deux fois sur la touche 'Signal' (aucun témoin ne sera alors allumé).

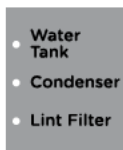
Si vous sélectionnez un niveau de séchage supérieur à humide/sec et vous souhaitez que la sécheuse vous avertisse de retirer les articles au moment où la brassée atteint la phase humide/sec, appuyez une fois sur la touche 'Signal' pour sélectionner 'Damp Dry'. Assurez-vous également de sélectionner 'On'. Lorsque votre brassée atteint la phase humide/sec, la sécheuse émet des bips sonores pour vous avertir de retirer les articles, puis elle poursuit le séchage jusqu'à ce que la brassée restante atteigne le niveau de séchage sélectionné.



Options Signal

Témoins

Divers témoins vous avertissent lorsqu'il est nécessaire de nettoyer le filtre à charpie, vider le réservoir d'eau ou nettoyer le condensateur (reportez-vous à la section 'Entretien de votre sécheuse').



Témoins

Verrou des touches

Cette option vous permet de désactiver les touches du panneau d'affichage, à l'exception des touches 'POWER' et 🔒. Cette option aide à prévenir l'utilisation accidentelle des touches.

Pour activer ou désactiver le mode Keylock (verrou des touches) à un moment quelconque pendant que la sécheuse est en marche :

- Appuyez de manière prolongée sur la touche 🔒 pendant 2 secondes.



Mode Keylock

Remarque : lorsque le mode est activé, le témoin s'allume au-dessus de la touche 🔒.

Si le mode Keylock est activé pendant que l'appareil est éteint :

- Pour mettre votre sécheuse en marche, appuyez sur la touche 'POWER', puis appuyez de manière prolongée sur la touche 🔒 pendant 2 secondes pour désactiver le mode Keylock. Sélectionnez votre cycle de séchage et les options de votre choix, puis appuyez sur ►|| pour démarrer le cycle.

Démarrage différé

L'option 'Delay Start' (démarrage différé) vous permet de retarder le démarrage du cycle de séchage en sélectionnant une durée comprise entre 5 minutes et 12 heures. Vous pouvez sélectionner des durées de 5 minutes, 15 minutes, 30 minutes et 1 heure, puis des durées par intervalle d'une heure jusqu'à 12 heures. Cette option peut s'avérer utile lorsque vous souhaitez que le séchage soit terminé à votre retour du travail ou que la sécheuse démarre lorsque les tarifs d'électricité sont moins élevés.

Pour programmer un démarrage différé avec l'option 'Delay Start', appuyez simplement sur la touche 'Plus' **+** pour augmenter le délai et sur la touche 'Moins' **-** pour le réduire ou désactiver l'option 'Delay Start'. Appuyez sur **▶||** pour confirmer votre sélection et démarrer le compte à rebours. Une fois l'option 'Delay Start' démarrée, le temps s'écoule sur le panneau d'affichage numérique par incréments d'une minute, le témoin 'Delay Start' clignote et le témoin **▶||** cesse de clignoter et s'allume en continu.

Remarque : si vous appuyez de manière prolongée sur la touche 'Plus' **+**, la durée affichée à l'écran augmente à chaque demi-seconde (ce qui est plus pratique que d'appuyer sur la touche à répétition). Pour annuler un compte à rebours 'Delay Start', appuyez simplement sur la touche **▶||**, puis appuyez sur la touche 'Moins' **-** pour réduire la durée à zéro. Appuyez sur **▶||** pour démarrer le cycle immédiatement.

IMPORTANT!

Nous vous conseillons d'éviter d'utiliser l'option 'Delay Start' pour les articles humides dont les couleurs ne sont pas inaltérables, car cela pourrait causer des transferts de couleur.

Personnalisation des cycles de la sécheuse

Après quelques utilisations de votre sécheuse, vous pourriez découvrir que vous préférez certaines options de séchage pour certains cycles.

Vous pouvez programmer votre sécheuse de façon à mémoriser vos options de séchage préférées pour chaque cycle de séchage. Par exemple, vous pouvez régler le cycle 'Perm Press' à une température de séchage inférieure ou régler le cycle 'Everyday' afin que l'option 'Wrinkle Free' soit automatiquement sélectionnée.

Pour personnaliser un cycle :

- ① Appuyez sur 'POWER' pour mettre l'appareil en marche.
- ② Tournez le bouton pour sélectionner le cycle que vous souhaitez personnaliser.
- ③ Appuyez de manière prolongée sur l'une des touches d'options de séchage pendant 3 secondes. Les témoins clignoteront pour indiquer que l'appareil est en mode d'ajustement de cycle.
- ④ Sélectionnez les options de séchage de votre choix en appuyant sur la touche d'option correspondante.
- ⑤ Appuyez sur **Ⓛ** pour enregistrer les réglages sélectionnés. La sécheuse émet alors un bip sonore pour indiquer que votre cycle personnalisé a été enregistré.

Réinitialisation aux valeurs d'usine

Vous pouvez réinitialiser votre sécheuse aux réglages par défaut définis en usine :

- ① Tournez le bouton pour sélectionner le cycle 'Freshen'.
- ② Appuyez de manière prolongée sur les touches 'Delay Start', 'Plus' **+**, 'Delay Start', 'Moins' **-** et 'Signal' simultanément pendant trois secondes.
- ③ Votre sécheuse est alors réinitialisée aux réglages par défaut.

TRIAGE ET CHARGEMENT

Suivez toujours les instructions sur l'étiquette d'entretien du fabricant lorsque vous faites la lessive.

Étiquettes d'entretien des tissus

Voici des « symboles » d'étiquettes d'entretien des tissus qui affectent la manière dont vous devez effectuer la lessive.

ÉTIQUETTES DE SÉCHAGE

Séchage par culbutage



Sec



Normal



Sans repassage/
infroissable



Fragile/
délicat



Ne pas sécher par
culbutage



Ne pas sécher
(utilisé avec
Ne pas laver)

Réglage de chaleur



Élevée



Moyenne



Basse



Aucune
chaleur/air

Instructions spéciales



Sécher sur
corde/
suspendre
pour sécher



Sécher par
égouttement



Sécher à
plat



À l'ombre

Conseils de triage et chargement

⚠ MISE EN GARDE!



Risque d'incendie

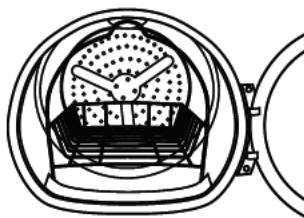
- Gardez les substances et vapeurs inflammables, telles que l'essence, à distance de la sècheuse.
- **NE séchez PAS d'articles ayant déjà été recouverts d'une quelconque substance inflammable (même après le lavage).**
- **Aucune laveuse ne peut nettoyer complètement l'huile.**
- **NE séchez PAS d'articles ayant déjà été recouverts d'un type quelconque d'huile (y compris les huiles de cuisson).**
- Les articles contenant de la mousse, du caoutchouc ou du plastique doivent être séchés sur une corde à linge.
- **Le fait de ne pas respecter ces consignes peut entraîner la mort, une explosion ou un incendie.**

- En règle générale, si les vêtements sont triés correctement pour la laveuse, ils le sont également pour la sècheuse. Essayez également de trier les articles en fonction de leur taille. Par exemple, ne séchez pas un drap avec des chaussettes ou d'autres petits articles.
- N'ajoutez pas de feuilles d'assouplisseur lorsque la brassée devient chaude, car elles pourraient laisser des taches d'assouplisseur.
- **Ne surchargez pas l'appareil.** Cela entraîne une perte d'énergie et cause le froissement.

Grille de séchage

Une grille de séchage pratique peut être utilisée pour sécher des articles délicats comme des chandails lavables. Placez les articles à plat sur la grille de séchage. Séchez à faible chaleur.

Une grille de séchage est installée en usine dans votre sècheuse. Pour la retirer, inclinez le dessus de la grille vers vous pour détacher les pattes des fentes dans le filtre à charpie, puis retirez-la doucement du tambour. Suivez la procédure dans l'ordre inverse pour la réinstaller.



Remarque :

- La grille de séchage est conçue pour l'utilisation avec le cycle 'Rack Dry'. L'utilisation avec les cycles à capteur peut se traduire par des articles humides ou des durées de cycle prolongées.
- N'utilisez pas cette grille de séchage lorsque d'autres vêtements ne sont pas placés sur la grille dans la sècheuse.

Nettoyage de votre sècheuse

Nettoyage du panneau de commande et des surfaces externes de la sècheuse

Utilisez un chiffon doux et humide pour nettoyer toutes les surfaces, puis essuyez pour sécher. Évitez d'utiliser des nettoyeurs chimiques ou abrasifs, car ces derniers pourraient endommager le fini et les surfaces en plastique de votre sècheuse.

Nettoyage de l'intérieur de votre sècheuse

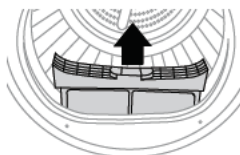
Il est important de nettoyer occasionnellement l'intérieur de votre sècheuse. Si le tambour présente des saletés résiduelles ou de la charpie coincée, enlevez-les et nettoyez le tambour à l'aide d'un chiffon humide. Ne laissez aucun objet métallique dans le tambour, car cela pourrait causer de la rouille.

Nettoyage du filtre à charpie

- La charpie se forme généralement lorsque vous portez et lavez les vêtements. Les fibres (charpie) dispersées par les vêtements lors du cycle de séchage sont recueillies dans le filtre à charpie.
- Il est important de nettoyer le filtre à charpie après chaque brassée, car la charpie produite lors du séchage peut constituer un risque d'incendie si elle s'accumule à l'intérieur ou à proximité de votre sècheuse.
- Le filtre à charpie est situé dans l'ouverture de la porte (dans le bas).
- Un témoin d'avertissement clignote au début de chaque cycle pour vous rappeler de nettoyer le filtre. Le témoin d'avertissement clignote également pendant le cycle si le filtre devient obstrué. Le filtre doit être nettoyé dès que le témoin 'Lint Filter' (filtre à charpie) commence à clignoter. En plus de constituer un risque d'incendie si vous la laissez s'accumuler, la charpie réduit l'efficacité de votre sècheuse.

Pour nettoyer le filtre :

- ① Ouvrez la porte de la sècheuse.
- ② Retirez le filtre à charpie en le tirant vers le haut, hors de la fente du filtre. Ouvrez le filtre et nettoyez la surface en l'essuyant avec votre main.
- ③ Fermez le filtre à charpie et replacez-le dans l'ouverture. Assurez-vous de réinstaller le filtre correctement avant d'utiliser la sècheuse.



Filtre à charpie

Demandez à un technicien qualifié d'aspirer la charpie de la sècheuse une fois par année.

Lumière du tambour

Remarque : l'ampoule du tambour n'est pas une pièce remplaçable par le consommateur. Si cette ampoule devait cesser de fonctionner, effectuez un appel de service.

Lorsque la porte est ouverte, l'ampoule du tambour s'allume automatiquement et demeure allumée pendant deux minutes. Lorsque la porte est fermée, l'ampoule du tambour demeure allumée pendant 30 secondes.

Vidage du réservoir de récupération d'eau

Pendant le cycle de séchage, la vapeur se condense en eau recueillie dans le réservoir d'eau, situé dans la partie supérieure gauche de la sècheuse. Il est important de vider le réservoir d'eau après chaque brassée.

Un témoin s'allume lorsque le réservoir d'eau doit être vidé. Un avertissement à l'intention de l'utilisateur s'affiche également à l'écran (reportez-vous à la section 'Avant d'effectuer un appel de service'). Si le réservoir d'eau devient plein pendant le fonctionnement, la sècheuse passe en mode 'Cool' (refroidissement) pendant plusieurs minutes, puis elle s'interrompt et émet un bip sonore pour vous avertir. Videz le réservoir et appuyez sur ►|| pour reprendre le cycle.

Remarque : vous n'avez pas besoin de vider le réservoir d'eau si vous avez installé le tuyau d'évacuation pour évacuer l'eau automatiquement (reportez-vous à la section 'Instructions d'installation' à la page 55).

Pour vider le réservoir d'eau :

- ① Retirez le réservoir d'eau en tenant la poignée et en tirant doucement vers l'extérieur pour le retirer. Tenez le réservoir avec les deux mains et assurez-vous de garder le réservoir de niveau pendant le retrait pour éviter de déverser l'eau recueillie.
- ② Versez l'eau dans un évier ou un seau, puis remettez le réservoir en place.

IMPORTANT!

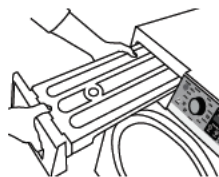
- **N'utilisez pas l'eau recueillie dans le réservoir d'eau pour la consommer ou préparer des aliments.**
- **Ne faites jamais fonctionner la sècheuse sans le réservoir d'eau installé.**
- **Si le réservoir d'eau devient plein, la sècheuse à culbutage interrompt le séchage et émet une alarme. Vous devez vider le réservoir d'eau avant de continuer d'utiliser la sècheuse pour le séchage. Videz le réservoir, remplacez-le dans le compartiment, puis appuyez sur ►|| pour reprendre le cycle.**

Nettoyage du condenseur

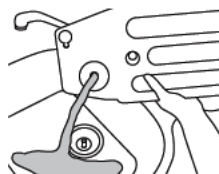
Si le témoin 'Condenser' (condensateur) commence à clignoter, le condenseur doit être nettoyé. Le condenseur doit être nettoyé une fois par mois. Le témoin s'allume lorsque vous mettez initialement l'appareil en marche, puis il s'éteint lorsque vous appuyez sur la touche ►||

Pour nettoyer le condenseur :

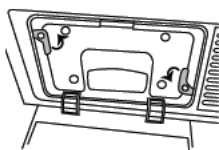
- ① Ouvrez le couvercle du condenseur.
- ② Tournez les deux leviers de verrouillage du condenseur de 90 degrés, puis tirez le condenseur vers l'extérieur.
- ③ Nettoyez le condenseur avec de l'eau sous pression et attendez que l'eau s'égoutte.
- ④ Remettez le condenseur en place.
- ⑤ Tournez les deux leviers de verrouillage du condenseur pour verrouiller de nouveau le condenseur en place. Assurez-vous de bien enclencher ces leviers.
- ⑥ Fermez le couvercle du condenseur.



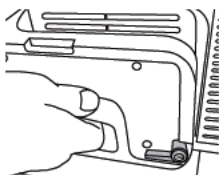
Retrait du réservoir de récupération d'eau



Inclinaison du réservoir de condensation d'eau



Pivotement des leviers de verrouillage du condenseur





Retrait du condenseur

AVANT D'EFFECTUER UN APPEL DE SERVICE

Avertissements à l'intention de l'utilisateur

Votre sècheuse est en mesure de diagnostiquer un certain nombre de problèmes. Elle émet une série de bips sonores et affiche un code lorsqu'elle détecte un problème que vous pouvez résoudre vous-même. Tous les témoins du panneau de commande s'éteindront et un code s'affichera pour vous aider à identifier le problème. Pour arrêter les bips sonores, appuyez sur n'importe quelle touche du panneau de commande. N'essayez pas de poursuivre votre cycle de séchage lorsque vous arrêtez les bips sonores, car vous devez résoudre le problème indiqué par la sècheuse.

Consultez ce tableau avant d'effectuer un appel de service.

PROBLÈME	CODE AFFICHÉ	SOLUTION
Le mode Keylock est activé.	<i>KEY LOC</i>	Appuyez de manière prolongée sur la touche  pendant 2 secondes pour désactiver le mode Keylock.
Le filtre à charpie est obstrué et doit être vidé.	<i>L InE cLn</i>	Videz le filtre à charpie, puis réinstallez-le. Vérifiez que le filtre à charpie n'est pas endommagé. Vérifiez qu'aucun objet n'est coincé dans le support de filtre à charpie et n'obstrue le débit d'air. Vérifiez que le filtre à charpie est installé correctement dans votre sècheuse.
Le réservoir d'eau est plein et doit être vidé.	<i>H2O FULL</i>	Vérifiez si le réservoir d'eau est plein. Videz le réservoir d'eau. Si vous utilisez le tuyau d'évacuation, vérifiez si le réservoir d'eau ou le tuyau d'évacuation est obstrué. Vérifiez que le tuyau d'évacuation est toujours fixé à l'arrière de l'appareil et qu'il n'est pas entortillé ni écrasé.
Le condensateur doit être nettoyé.	<i>cLn cond</i>	Nettoyez le condensateur (reportez-vous à la section 'Entretien de votre sècheuse'). Assurez-vous que le condensateur a été installé ou réinstallé correctement dans votre sècheuse.
La porte n'est pas fermée.	<i>door OPEN</i>	Fermez la porte complètement et appuyez sur  Essayez d'ouvrir et de fermer la porte de nouveau. Repositionnez la brassée, assurez-vous qu'elle soit placée correctement dans le tambour et qu'aucun article n'empêche la porte de fermer.

Après avoir corrigé le problème indiqué par le code d'avertissement, essayez d'utiliser votre sècheuse comme à l'habitude.

Si le problème persiste, communiquez avec un installateur ayant une formation adéquate.

La sécheuse vous indique qu'une défaillance est survenue lorsqu'une série de bips sonores est émise, que tous les témoins s'éteignent sur le panneau de commande et qu'un numéro apparaît sur l'afficheur. La sécheuse accède automatiquement à ce mode en cas de défaillance. Le code de défaillance est affiché à l'aide de $E r r$, suivi d'un numéro sur l'afficheur numérique. Pour arrêter les bips sonores, appuyez sur n'importe quelle touche, puis procédez ainsi :


- ① Coupez l'alimentation de l'appareil au point d'alimentation.
- ② Attendez une minute et remettez-le en marche.
- ③ Vérifiez que votre appareil est installé correctement (reportez-vous à la section 'Instructions d'installation').
- ④ Retirez votre brassée et faites un nouvel essai.
- ⑤ Effectuez un cycle 'Time Dry', par exemple 'Time Dry' (30 minutes).
- ⑥ Si le code de défaillance s'affiche de nouveau, répétez les étapes ① et ②.
- ⑦ Si l'appareil ne fonctionne toujours pas, communiquez avec un installateur ayant une formation adéquate pour prévoir une réparation (reportez-vous à la section 'Garantie limitée'). Notez le numéro du code de défaillance affiché et le numéro de série de votre sécheuse (situé à l'intérieur de la porte, en dessous de la vitre) avant d'appeler. Le code de défaillance permet d'indiquer la cause potentielle du problème au technicien de service.

Lorsqu'un code de défaillance s'affiche, il est toujours possible d'éteindre votre sécheuse en appuyant sur 'POWER'.

DÉPANNAGE

Voici une liste de problèmes que vous pourriez rencontrer lors de l'utilisation de cet appareil, ainsi que certaines suggestions qui pourraient vous aider à les résoudre. Si vous avez toujours des problèmes, veuillez communiquer avec un installateur ayant une formation adéquate.

PROBLÈME	CAUSES POSSIBLES	SOLUTIONS
La sècheuse vibre ou fait du bruit.	Une certaine quantité de vibration/bruit est normale.	Déplacez la sècheuse à un endroit de niveau sur le plancher ou ajustez les pattes de nivellement comme nécessaire pour mettre l'appareil de niveau.
	La sècheuse pourrait être installée de façon inégale.	
Les vêtements prennent trop de temps à sécher.	Triage inadéquat.	Séparez les articles volumineux des articles plus légers (généralement, une brassée triée adéquatement pour le lavage l'est également pour le séchage).
	Grandes brassées de tissus épais (comme des serviettes de plage).	Les tissus épais de grande taille contiennent plus d'humidité et prennent plus de temps à sécher. Séparez les tissus épais de grande taille en petites brassées pour accélérer le temps de séchage.
	Sècheuse sans conduit d'évacuation.	Les sècheuses à condensation prennent normalement plus de temps à effectuer le séchage qu'une sècheuse avec conduit d'évacuation.
	Commandes réglées incorrectement.	Réglez les commandes en fonction de la brassée à sécher.
	Le filtre à charpie est plein.	Nettoyez le filtre à charpie avant chaque brassée.
	Fusibles grillés ou disjoncteur déclenché.	Remplacez les fusibles ou réenclenchez les disjoncteurs. Comme la plupart des sècheuses utilisent 2 fusibles/disjoncteurs, assurez-vous que les deux sont en état de fonctionnement.
	Chargement excessif/ combinaison de brassées.	Ne placez pas dans la sècheuse plus d'une brassée de laveuse à la fois.
	Charge insuffisante.	Si vous séchez seulement un ou deux articles, ajoutez quelques articles pour assurer un culbutage adéquat.

PROBLÈME	CAUSES POSSIBLES	SOLUTIONS
Le niveau de séchage 'Dry' a été sélectionné, mais la brassée est toujours humide.	La brassée est constituée d'un mélange de tissus épais et légers.	Lorsque vous combinez des tissus épais et légers dans une brassée, sélectionnez un niveau de séchage supérieur.
	Le filtre à charpie, le condensateur et/ou l'ouverture d'admission d'air située à l'avant de la sècheuse sont obstrués.	Inspectez et nettoyez le filtre à charpie, le condensateur et/ou l'ouverture d'admission d'air située à l'avant de la sècheuse.
	Les capteurs de séchage sont sales.	Nettoyez les capteurs à l'aide d'un chiffon humide. Il s'agit des cannelures métalliques situées dans le tambour, derrière le filtre à charpie.
Les touches de commande sont inopérantes.	Les commandes ont été placées accidentellement en mode d'entretien.	Appuyez sur ►►.
	Les commandes ont été placées accidentellement en mode 'Keylock'.	Appuyez sur la touche  pendant 3 secondes pour déverrouiller la sècheuse.
	Les commandes ont effectué une opération incorrecte.	Vérifiez le boîtier de disjoncteurs/fusibles de l'édifice et remplacez le fusible ou réenclenchez le disjoncteur. Remarque : les sècheuses électriques utilisent deux fusibles ou disjoncteurs.
La sècheuse ne démarre pas.	Le panneau de commande est en mode de veille.	Cela est normal. Appuyez sur 'POWER' pour activer le panneau de commande.
	La sècheuse est débranchée.	Assurez-vous que la fiche de la sècheuse est insérée complètement dans la prise.
	Le fusible est grillé/le disjoncteur est déclenché.	Vérifiez le boîtier de disjoncteurs/fusibles de l'édifice et remplacez le fusible ou réenclenchez le disjoncteur. Remarque : les sècheuses électriques utilisent deux fusibles ou disjoncteurs.
	La sècheuse a accidentellement été mise en pause lors du démarrage de la fonction 'Delay Start'.	Si le témoin de la touche ►► clignote, la sècheuse est mise en pause. Appuyez sur ►► pour redémarrer le compte à rebours.
	Le réservoir d'eau est plein.	Si le témoin 'Water Tank' (réservoir d'eau) s'allume, vous devez vider le réservoir d'eau avant que la sècheuse démarre. Reportez-vous à la section 'Entretien de votre sècheuse' pour les instructions de vidage du réservoir d'eau.

DÉPANNAGE

PROBLÈME	CAUSES POSSIBLES	SOLUTIONS
Aucun numéro ne s'affiche pendant le cycle, seulement des témoins.	La sècheuse surveille continuellement la quantité d'humidité dans les vêtements.	Cela est normal. Lorsque la sècheuse détecte un niveau d'humidité faible dans la brassée, elle affiche la durée de séchage restante.
'TIME TO GO' (durée restante) passe à un nombre inférieur.	La durée estimée peut changer lors du séchage d'une charge plus petite qu'à la normale.	Cela est normal.
Impossible d'effectuer une sélection et la sècheuse émet deux bips sonores.	Le niveau de séchage, la température ou l'option que vous tentez de sélectionner est incompatible avec le cycle de séchage choisi.	Cela est normal.
La sècheuse fonctionne, mais EE s'affiche dans 'TIME TO GO'.	L'option 'Wrinkle Free', 'Extra' a été sélectionnée.	Cela est normal. Pendant le culbutage prolongé, la durée restante ne s'affiche pas.
Lint CLN Nettoyez le filtre à charpie (message).	La touche 'POWER' a été activée.	Appuyez sur ▶ pour commencer un cycle de séchage et le message disparaîtra.
La sècheuse ne produit pas de chaleur.	Le fusible est grillé/le disjoncteur est déclenché; la sècheuse pourrait effectuer le culbutage, mais sans produire de chaleur.	Vérifiez le boîtier de disjoncteurs/fusibles de l'édifice et remplacez les deux fusibles ou réenclenchez les deux disjoncteurs. Votre sècheuse pourrait effectuer le culbutage si un seul fusible est grillé ou un seul disjoncteur est déclenché.
Durées de séchage irrégulières.	Type de brassée et conditions de séchage.	La taille de la brassée, les types de tissus, l'humidité des vêtements et l'état du filtre à charpie, du condensateur et/ou de l'ouverture d'admission d'air située à l'avant de la sècheuse affectent les durées de séchage.
	Un excès de débris s'est accumulé dans le condensateur, ce qui empêche un débit d'air convenable.	Reportez-vous à la section 'Entretien de votre sècheuse'.
Luminosité à l'arrière du tambour.	Radiateurs derrière le tambour.	Cela est normal. Dans certaines conditions de séchage et avec certains éclairages ambiants, la luminosité des radiateurs peut être visible à l'arrière du tambour.

PROBLÈME	CAUSES POSSIBLES	SOLUTIONS
<p>Les vêtements sont toujours humides et la sècheuse s'éteint après une courte durée.</p>	<p>La porte a été ouverte au milieu du cycle. La brassée a été retirée de la sècheuse et une nouvelle brassée a été insérée sans qu'un nouveau cycle soit sélectionné.</p>	<p>Un cycle de séchage doit être resélectionné chaque fois qu'une nouvelle brassée est insérée.</p>
	<p>Petite brassée.</p>	<p>Lors du séchage de 3 articles ou moins, choisissez 'Time Dry'.</p>
	<p>La brassée était déjà sèche, à l'exception des collets et ceintures montées.</p>	<p>Choisissez 'Time Dry' pour sécher les collets et ceintures montées humides. À l'avenir, lors du séchage de collets et ceintures montées, choisissez un niveau de séchage plus élevé.</p>
<p>Les vêtements sont froissés.</p>	<p>Séchage excessif.</p>	<p>Sélectionnez une durée de séchage plus courte.</p> <p>Retirez les articles pendant qu'ils contiennent toujours une petite quantité d'humidité. Sélectionnez un réglage de séchage moins élevé.</p>
	<p>Articles laissés dans la sècheuse à la fin du cycle.</p>	<p>Retirez les articles lorsque le cycle se termine et pliez ou suspendez-les immédiatement, ou encore utilisez l'option 'Wrinkle Free', 'Extra'.</p>
	<p>Chargement excessif.</p>	<p>Séparez les grandes brassées en plusieurs plus petites.</p>
<p>Les vêtements rétrécissent.</p>	<p>Certains tissus rétrécissent naturellement lorsqu'ils sont lavés. D'autres peuvent être lavés sans problème, mais rétréciront dans la sècheuse.</p>	<p>Pour éviter le rétrécissement, suivez exactement les instructions sur les étiquettes d'entretien.</p> <p>Certains articles peuvent reprendre leur forme après le séchage.</p> <p>Si vous avez des inquiétudes au sujet du rétrécissement d'un article spécifique, ne le lavez pas à la machine ou ne le séchez pas par culbutage.</p>

DÉPANNAGE

PROBLÈME	CAUSES POSSIBLES	SOLUTIONS
Taches grassieuses sur les vêtements.	Utilisation inappropriée d'assouplisseur.	Suivez les instructions sur l'emballage de l'assouplisseur.
	Séchage d'articles sales avec des articles propres.	Utilisez votre sècheuse uniquement pour sécher des articles propres. Les articles sales peuvent tacher les articles propres et la sècheuse.
Présence de charpie sur les vêtements.	Les vêtements n'étaient pas entièrement propres.	Des taches qui ne sont pas visibles lorsque les vêtements sont humides apparaissent parfois après le séchage. Suivez les procédures de lavage appropriées avant le séchage.
	Le filtre à charpie est plein.	Nettoyez le grillage à charpie avant chaque brassée.
	Triage inadéquat.	Séparez les articles produisant la charpie (comme en chenille) des articles qui accumulent la charpie (comme en velours côtelé).
	L'électricité statique peut attirer la charpie.	Consultez les suggestions dans cette section, sous 'Présence de statique'.
	Chargement excessif.	Séparez les grandes brassées en plusieurs plus petites.
Présence de statique.	Papier, mouchoir, etc., laissé dans les poches.	Videz toutes les poches avant de laver les vêtements.
	Aucun assouplisseur n'a été utilisé.	Essayez un assouplisseur recommandé.
	Séchage excessif.	Essayez un assouplisseur recommandé. Ajustez le réglage à un niveau de séchage inférieur.
Les collets et ceintures montées sont toujours humides à la fin du cycle.	Les tissus synthétiques, infroissables et mélangés peuvent causer de la statique.	Essayez un assouplisseur recommandé.
	Le capteur de séchage détermine que le corps des vêtements est sec.	Choisissez 'Time Dry' pour sécher les collets et ceintures montées humides. À l'avenir, lors du séchage de collets et ceintures montées, choisissez un niveau de séchage plus élevé.
Légère variation de couleur métallique.	Cela est normal.	En raison des propriétés métalliques de la peinture utilisée pour ce produit unique, de légères variations de couleur peuvent survenir selon les angles de visionnement et les conditions d'éclairage.
La sècheuse continue le culbutage.	L'option 'Wrinkle Free', 'Extra' a été sélectionnée.	Assurez-vous que l'option 'Wrinkle Free', 'Extra' n'est pas sélectionnée.

Lorsque vous achetez au détail un nouveau produit Fisher & Paykel destiné à un usage personnel ou celui d'un consommateur, vous bénéficiez automatiquement d'une garantie limitée de deux ans s'appliquant aux pièces et à la main-d'œuvre pour le service aux États-Unis et au Canada. S'il n'y a aucun centre de service Fisher & Paykel autorisé dans votre région, vous pourriez avoir à assumer des frais de déplacement ou frais de transport.

Si le produit acheté est un appareil dans une boîte ouverte, remis à neuf en usine ou précédemment retourné d'un détaillant autorisé, vous bénéficiez automatiquement, mais uniquement, d'une garantie limitée d'un an pour les pièces non cosmétiques.

Les produits au Canada pour lesquels un consommateur demande une réparation sous garantie au Canada doivent avoir été achetés au Canada, en raison des exigences de conformité aux réglementations. Les produits au Canada qui ont été achetés aux États-Unis doivent être retournés ou apportés aux États-Unis pour les réparations sous garantie, aux frais du consommateur.

Si le produit est installé dans un véhicule à moteur, un bateau ou une installation mobile similaire, vous devez apporter à vos frais le véhicule, le bateau ou l'installation mobile contenant le produit à l'atelier de réparation ou payer le déplacement du technicien d'entretien à l'endroit où se trouve le produit.

Fisher & Paykel s'engage à :

Réparer sans frais encouru par le propriétaire pour le matériel ou la main-d'œuvre, toute pièce reconnue défectueuse par Fisher & Paykel, à condition que le numéro de série original soit intact sur le produit.

Les clients de l'Alaska doivent payer les frais nécessaires pour la livraison du produit à l'atelier de réparation ou le déplacement d'un technicien à leur domicile. Si le produit est installé dans un véhicule à moteur, un bateau ou une installation mobile similaire, vous devez l'apporter à l'atelier de réparation à vos frais ou payer le déplacement d'un technicien à l'endroit où se trouve le produit. Si nous ne parvenons pas à réparer une pièce défectueuse du produit après un nombre de tentatives raisonnables, nous pourrions à notre discrétion remplacer la pièce ou le produit, ou vous offrir un remboursement complet du prix d'achat du produit (excluant les frais d'installation ou autres coûts). Cette garantie est valable pour l'acheteur initial et le premier propriétaire subséquent du produit s'il est acheté pour une utilisation normale dans un domicile familial simple. Toutes les réparations couvertes par cette garantie limitée doivent être effectuées par Fisher & Paykel ou un agent de service autorisé pendant les heures d'ouverture normales.

Quelle est la durée de cette garantie limitée?

Notre responsabilité en vertu de cette garantie limitée expire DEUX ANS à partir de la date d'achat du produit par l'acheteur initial pour les produits achetés neufs chez un détaillant. Pour les produits achetés dans une boîte ouverte, remis à neuf en usine ou précédemment retournés d'un détaillant autorisé, la garantie limitée expire UN AN à partir de la date d'achat.

Notre responsabilité en vertu de toute garantie implicite, incluant la garantie implicite de qualité marchande (la garantie non écrite que le produit est adéquat pour une utilisation normale) est également limitée à DEUX ANS (ou une période plus longue, si cela est exigé par la loi en vigueur) à partir de la date d'achat du produit par le premier acheteur et le premier propriétaire subséquent. Certaines juridictions ne permettent pas les limitations de durée de la garantie implicite. Par conséquent, cette limitation de garantie implicite pourrait ne pas s'appliquer à vous.

GARANTIE LIMITÉE

Cette garantie limitée ne couvre pas :

- (A) Les demandes de réparation pour tout problème non lié à une défectuosité du produit. Le coût de la demande de réparation sera facturé s'il se trouve que le problème n'est pas dû à une défectuosité du produit. Par exemple :
 - ① Correction d'une installation inappropriée du produit.
 - ② Explication du fonctionnement du produit.
 - ③ Remplacement des fusibles du domicile, réarmement des disjoncteurs, réparation du câblage électrique ou de la plomberie du domicile et remplacement des ampoules.
 - ④ Réparation des défectuosités causées par l'utilisateur.
 - ⑤ Modification de la configuration du produit.
 - ⑥ Modifications non autorisées du produit.
 - ⑦ Bruits ou vibrations considérés normaux, par exemple, des sons d'évacuation/de ventilation ou bips d'avertissement.
 - ⑧ Réparation des dommages causés par des animaux nuisibles, par exemple, des rats, cafards, etc.
- (B) Défectuosités du produit causées par des facteurs autres que :
 - ① Utilisation domestique normale; ou
 - ② Utilisation en conformité avec le Guide d'utilisation du produit.
- (C) Défectuosités du produit causées par un accident, la négligence, une utilisation inappropriée, un incendie, une inondation ou une catastrophe naturelle.
- (D) Les frais des réparations effectuées par des réparateurs non autorisés ou les frais associés à la correction de telles réparations non autorisées.
- (E) Les frais de déplacement et frais associés encourus lorsque le produit est installé dans un endroit où l'accès est limité ou restreint (par exemple, frais d'avion et de traversier, régions géographiques isolées).
- (F) L'entretien normal recommandé dans le Guide d'utilisation du produit.

En cas de problème d'installation, communiquez avec votre détaillant ou installateur. Il est de votre responsabilité d'assurer des installations électriques, d'évacuation et de raccordement appropriées.

Nous pourrions ne pas être responsables des dommages indirects ou accessoires (coût de réparation ou de remplacement d'autres biens endommagés si le produit est défectueux ou tout autre coût encouru si le produit est défectueux). Certaines juridictions ne permettent pas l'exclusion ou la limitation de la responsabilité pour les dommages indirects ou accessoires; par conséquent, l'exclusion ou la limitation ci-dessus pourrait ne pas s'appliquer à vous.

Comment obtenir du service

Veillez lire votre Guide d'utilisation. Si vous avez des questions concernant l'utilisation du produit, souhaitez trouver le nom d'un agent de service autorisé Fisher & Paykel local ou pensez que le produit est défectueux et désirez le faire réparer dans le cadre de cette garantie limitée, veuillez communiquer avec votre détaillant ou nous appeler au numéro suivant :

États-Unis et Canada

SANS FRAIS **1.888.9.FNP.USA (1.888.936.7872)**

ou utilisez le lien sur cette page : www.fisherpaykel.com/locator/servicer/

Il pourrait vous être demandé de fournir une preuve valable de la date d'achat du produit avant que la réparation soit effectuée dans le cadre de cette garantie limitée.

Utilisation commerciale

Si vous utilisez le produit dans un contexte commercial (toute utilisation autre que dans un domicile familial simple), nous acceptons de réparer ou remplacer, sans frais pour les pièces uniquement, toute pièce défectueuse du produit dont le numéro de série figure sur celui-ci. Notre responsabilité pour ces réparations expire UN AN à partir de la date de l'achat initial.

Nous pouvons à notre discrétion remplacer la pièce ou le produit, ou vous offrir un remboursement complet du prix d'achat du produit (excluant les frais d'installation ou autres coûts). Toutes les réparations couvertes par cette garantie limitée doivent être effectuées par Fisher & Paykel ou un agent de service autorisé pendant les heures d'ouverture normales.

Aucune autre garantie

Cette garantie limitée constitue la totalité de l'accord exclusif existant entre l'acheteur et Fisher & Paykel relativement à toute défectuosité de ce produit. Aucun de nos employés (ou agents de service autorisés) n'est autorisé à effectuer des ajouts ou apporter des modifications à cette garantie limitée.

Garant : Fisher & Paykel Appliances, Inc.

Si vous avez besoin d'aide au sujet de cette garantie limitée, veuillez nous appeler au numéro ci-dessus ou nous écrire à l'adresse suivante :

Fisher & Paykel Appliances, Inc.
695 Town Center Drive, Suite 180
Costa Mesa
CA 92626

Cette garantie limitée vous donne des droits juridiques spécifiques auxquels peuvent s'ajouter d'autres droits qui varient d'une juridiction à l'autre.

GARANTIE LIMITÉE

Remplir et conserver pour référence ultérieure :

Modèle _____

N° de série _____

Date d'achat _____

Acheteur _____

Détaillant _____

Ville _____

État/Province _____

Code postal _____

Pays _____

FISHERPAYKEL.COM

© Fisher & Paykel Appliances 2018. All rights reserved.

The product specifications in this booklet apply to the specific products and models described at the date of issue. Under our policy of continuous product improvement, these specifications may change at any time. You should therefore check with your Dealer to ensure this booklet correctly describes the product currently available.

© Fisher & Paykel Appliances 2018. Tous droits réservés.

Les caractéristiques de produit présentées dans ce livret s'appliquent aux modèles et produits spécifiques qui y sont décrits à la date de publication. Dans le cadre de notre politique d'amélioration en permanence de nos produits, ces caractéristiques peuvent être modifiées à tout moment. Nous vous recommandons de vérifier auprès de votre détaillant que ce livret décrit le produit actuellement disponible.

US CA

428074B 03.18