

# Freestanding Cooker, Dual Fuel, 90cm, 5 Burners, Self-cleaning

Series 9 | Classic

Red



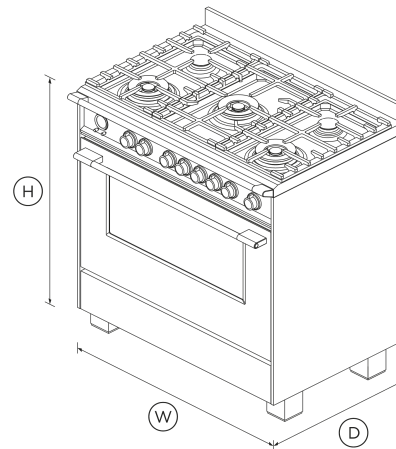
Get the best of both worlds with dual fuel. A gas cooktop with wok burner is paired with a nine-function convection oven.

- Five burner cooktop with dual wok burner and rotisserie
- Convection oven with 140L capacity and nine oven functions plus rotisserie including Pastry Bake with Pizza mode
- Non-tip full-extension shelves for safe removal of hot dishes

- Pyrolytic self-clean that breaks down food residue for an easy clean

## DIMENSIONS

Height	898 - 946 mm
Width	897 mm
Depth	600 mm



## FEATURES & BENEFITS

### Multi-Shelf Cooking

Our AeroTech™ system circulates air evenly throughout the entire oven so dishes on the top shelf turn out just as perfectly as food cooking on the bottom shelf.

### Quality And Durability

Every detail has been carefully crafted. The solid, perfectly balanced soft-close door, durable cooktop trivets and glowing halo dials all add up to an exceptional, premium range.

### Easy To Clean

Cleaning up spills is effortless. Your cooktop simply needs a quick wipe to keep it looking good as new. The pyrolytic self-clean oven cycle breaks down food residue at a very high temperature, leaving a light ash that's easily removed with a damp cloth.

### Burner Power & Control

Instant and immediate control from the highest to the gentlest heat. The finely tuned cooktop controls let you sear, stir fry or simmer a delicate sauce to perfection.

### Large Capacity Oven

The generous 140L total capacity oven gives you plenty of space to cook multiple dishes at once.

### Even heat

Accurate, electronically-controlled oven heat ensures a great result every time.

## SPECIFICATIONS

### Accessories (included)

Flat wire shelf	1
Full extension sliding shelves	2 sets (part 578744)
Full extension telescopic shelves	2 sets (part 578744)
Grill rack	true
Roasting dish	1
Rotisserie set	1 set
Small pot support	1 (part 533981 cast)

Step down wire shelf	•	Removable shelf runners	•	Warming drawer	•
<b>Accessories (sold separately)</b>		<b>Controls</b>		<b>Oven functions</b>	
Kick strip, red (optional)	<b>KICKOR90R1</b>	Audio feedback	•	Bake	•
<b>Burner ratings</b>		Automatic cooking/minute timer	•	Fan bake	•
Dual wok burner inner/outer (LPG)	<b>14.9MJ/h</b>	Automatic pre-set temperatures	•	Fan forced	•
Dual wok burner inner/outer (natural gas)	<b>16.2MJ/h</b>	Celsius/Fahrenheit temperature	•	fanGrill	•
Maximum burner power	<b>16.2</b>	Electronic clock	•	Grill	•
Semi-rapid burner (LPG)	<b>5.8MJ/h</b>	High resolution display	•	Number of functions	<b>9</b>
Semi-rapid burner (natural gas)	<b>6.5MJ/h</b>	Laser etched graphics	•	Pastry Bake with Pizza mode	•
Total cooktop power	<b>58.0</b>	Precise electronic temperature control	•	Rapid proof	•
Triple ring wok burner (LPG) x2	<b>14.4MJ/h</b>	Sabbath mode	•	Roast	•
Triple ring wok burner (natural gas) x2	<b>14.4MJ/h</b>	Turned stainless steel clock buttons	•	Rotisserie	•
		Turned stainless steel clock crown (dial)	•	True convection	•
<b>Capacity</b>		<b>Installation Dimensions</b>		<b>Oven performance</b>	
Shelf positions (main oven)	<b>6</b>	Installation cutout dimensions (Depth)	<b>600 mm</b>	CoolTouch door	<b>Quadruple glazed</b>
Total capacity	<b>140 L</b>	Installation cutout dimensions (Width)	<b>900 mm</b>	Warming drawer power	<b>202 W</b>
Usable capacity (main oven)	<b>120 L</b>				
<b>Cleaning</b>		<b>Oven features</b>		<b>Power requirements</b>	
Acid resistant graphite enamel	•	AeroTech™ technology	•	Amperage	<b>23 A</b>
Drop down grill element	•	Automatic rapid pre-heat	•	Supply frequency	<b>50 Hz</b>
Pyrolytic proof shelf runners	•	Bright chromed, cast zinc dials with illuminated halos	•	Supply voltage	<b>220 - 240 V</b>
Pyrolytic self-clean	•	Electronic oven control	•		
Removable oven door	•	Internal light	<b>4 x 25W halogen (2 side &amp; 2 top)</b>	<b>Product details</b>	
Removable oven door inner glass	•	Soft open/close door	•	Self Cleaning Sf	<b>Yes</b>
		Twin cavity fans	•		

**Product dimensions**

Depth	<b>600 mm</b>
Height	<b>898 - 946 mm</b>
Width	<b>897 mm</b>

**Rangetop features**

Brass burner spreader (power burner)	•
Embossed brass burner cap (power burner)	•
Hob rail	•
Hob rear trim	<b>60 mm</b>
LPG / Natural Gas compatible	•
Sealed range top	•

**Rangetop Performance**

Number of burners	<b>5</b>
-------------------	----------

**Safety**

Advanced cooling system	•
Anti-tilt bracket	•
Balanced oven door	•
Catalytic venting system	•
CoolTouch door	•
Flame failure system	•
Full extension telescopic sliding shelves	•
Non-tip shelves	•
Spill containment	<b>26 L</b>

**Warranty**

Parts and labour	<b>2 years</b>
------------------	----------------

SKU	81691
-----	-------

The product dimensions and specifications in this page apply to the specific product and model. Under our policy of continuous improvement, these dimensions and specifications may change at any time. You should therefore check with Fisher & Paykel's Customer Care Centre to ensure this page correctly describes the model currently available. © Fisher & Paykel Appliances Ltd 2020

**Other product downloads available at [fisherpaykel.com](https://fisherpaykel.com)**

- [↓ Service & Warranty](#)
- [↓ Installation Guide](#)
- [↓ Installation Guide - Kick Strip](#)
- [↓ Revit Freestanding Cooker](#)
- [↓ Rhino Freestanding Cooker](#)
- [↓ Sketchup Freestanding Cooker](#)
- [↓ User Guide](#)

**Where applicable:**

All appliances use energy, and energy usage typically generates carbon emissions. **Fisher & Paykel Appliances' In-use Energy Carbon Emissions Estimate** indicates carbon emissions from a product's in-use energy. This is calculated either annually or per cycle, using the product's market-specific energy label energy consumption data multiplied by the carbon emissions factor for energy in your country or region.

Our In-use Energy Carbon Emissions Estimate is designed to assist customers in making informed purchasing decisions when comparing different Fisher & Paykel products. For example, a heat pump dryer typically has a lower In-use Energy Carbon Emissions Estimate than a vented dryer.



**A PEACE OF MIND SALE**  
24 Hours 7 Days a Week Customer Support

T 1300 650 590 W [www.fisherpaykel.com](https://www.fisherpaykel.com)