

# 36" Series 9 Classic 5 Burner Duel Fuel Pyrolytic Range

Series 9 | Classic

Red



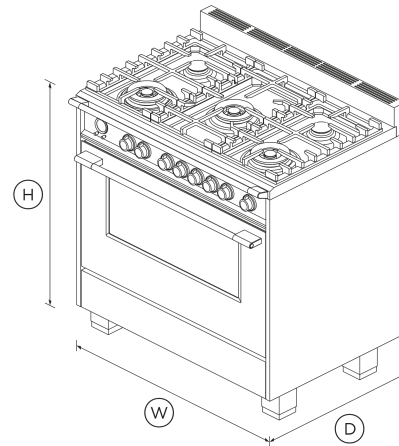
Get the best of both worlds with dual fuel. A gas cooktop is paired with a large, nine function convection oven.

- Five burner gas cooktop, including one dual ring and two triple ring wok burners
- Convection oven with 4.9 cu.ft total capacity and nine functions including Aero Pastry™ with pizza mode, and Rapid Proof for baking bread
- Non-tip full-extension shelves for safe removal of hot dishes

- High-temperature self-cleaning function breaks down food residue for an easy clean

## DIMENSIONS

Height	35 3/4 - 37 1/4 "
Width	35 7/8 "
Depth	25 1/4 "



## FEATURES & BENEFITS

### Multi-Shelf Cooking

Our AeroTech™ system circulates air evenly throughout the entire oven so dishes on the top shelf turn out just as perfect as food cooking on the bottom shelf.

### Quality and durability

Every detail has been carefully crafted. The solid, perfectly balanced soft-close door, durable cooktop trivets and glowing halo dials all add up to an exceptional, premium range.

### Easy to clean

Cleaning up spills is effortless. Your cooktop simply needs a quick wipe to keep it looking good as new. The self-clean function breaks down food residue at a very high temperature, leaving a light ash that's easily removed with a damp cloth.

### Burner power & control

Instant and immediate control from the highest to the gentlest heat. The finely tuned cooktop controls let you sear, stir fry or simmer a delicate sauce to perfection.

### Large Capacity Oven

The generous 4.9 cu.ft total capacity oven gives you plenty of space to cook multiple dishes at once, with enough room to fit a 32 lb turkey.

### Precise control

Accurate electronically-controlled oven heat gives you better results in the kitchen.

## SPECIFICATIONS

### Accessories (included)

2-pc grill system (Broil pan and Grill rack)	•
Broil pan	•
Full extension telescopic shelves	<b>2 sets (part 578744)</b>
Grill rack	<b>true</b>
Small pot support	<b>1 (part 533981)</b>

### Accessories (sold separately)

Kick strip, black (optional)	<b>KICKOR36B1</b>
Kick strip, red (optional)	<b>KICKOR36R1</b>
Kick strip, stainless steel (optional)	<b>KICKOR36X1</b>
Kick strip, white (optional)	<b>KICKOR36W1</b>
Wok grate included	<b>Yes</b>

- Removable oven door •
- Removable shelf runners •

- Automatic rapid pre-heat •
- Bright chromed, cast zinc dials with illuminated halos •
- Concealed element •
- Electronic oven control •
- Full extension telescopic sliding shelves •
- Internal light **4 x 25W halogen (2 side & 2 top)**
- Soft open/close door •
- True convection •
- Turned stainless steel clock dial •
- Twin cavity fans •
- Warming drawer •

**Controls**

- Audio feedback •
- Automatic cooking/minute timer •
- Automatic pre-set temperatures •
- Celsius/Fahrenheit temperature •
- Electronic capacitive touch controls •
- Electronic clock •
- High resolution display •
- Laser etched graphics •
- Precise electronic temperature control •
- Sabbath mode •
- Turned stainless steel clock buttons •
- Turned stainless steel clock crown (dial) •

**Burner ratings**

Dual wok burner inner/outer (LPG)	<b>1000 - 18000BTU</b>
Dual wok burner inner/outer (natural gas)	<b>1000 - 18000BTU</b>
Maximum burner power	<b>18000 BTU</b>
Semi-rapid burner (LPG)	<b>1500 - 7600BTU</b>
Semi-rapid burner (natural gas)	<b>1500 - 8000BTU</b>
Total cooktop power	<b>62000 BTU</b>
Triple ring wok burner (LPG) x2	<b>6100 - 12000BTU</b>
Triple ring wok burner (natural gas) x2	<b>6100 - 14000BTU</b>

**Oven functions**

- Aero Broil •
- Aero™ Bake •
- Aero™ Pastry with Pizza mode •
- Bake •
- Broil •
- Number of functions **9**
- Rapid proof •
- Roast •
- Self-clean function •
- True Aero •
- True convection •

**Gas Requirements**

Supply Pressure (LPG)	<b>11" W.C.P</b>
Supply Pressure (natural gas)	<b>4" W.C.P</b>

**Capacity**

Shelf positions	<b>7</b>
Total capacity	<b>4.9 cu ft</b>
Usable capacity	<b>4.3 cu ft</b>

**Main oven functions**

- Warm •

**Oven features**

- AeroTech™ technology •
- Auto re-ignition system •

**Oven performance**

Broil power	<b>4300 W</b>
CoolTouch door	<b>Quadruple glazed</b>

**Cleaning**

- Acid resistant graphite enamel •
- Drop down broil element •
- Drop down grill element •
- Flat easy clean glass surface •
- Pyrolytic proof shelf runners •
- Pyrolytic self-clean •

Warming drawer power **220 W**

### Power Requirements

Amperage **30 A**

Supply frequency **60 Hz**

### Product Dimensions

Depth **25 1/4 "**

Height **35 3/4 - 37 1/4 "**

Width **35 7/8 "**

### Rangetop features

- Brass burner spreader (power burner)
- Embossed brass burner cap (power burner)
- Hob rail
- LPG / Natural Gas compatible
- Sealed range top

### Rangetop Performance

Number of burners **5**

### Safety

- ADA compliant
- Advanced cooling system
- Anti-tilt bracket
- Balanced oven door

Catalytic venting system •

Full extension telescopic shelves **2 sets (part 578744)**

Full extension telescopic sliding shelves •

Non-tip shelves •

Spill containment **219.53 L**

Spill containment **5/8 gallon**

SKU **81709**

The product dimensions and specifications in this page apply to the specific product and model. Under our policy of continuous improvement, these dimensions and specifications may change at any time. You should therefore check with Fisher & Paykel's Customer Care Centre to ensure this page correctly describes the model currently available. © Fisher & Paykel Appliances Ltd 2020

### Other product downloads available at [fisherpaykel.com](http://fisherpaykel.com)

- ↓ [Service & Warranty](#)
- ↓ [Installation Guide EN](#)
- ↓ [Guide d'installation FR](#)
- ↓ [Revit Dual Fuel Range](#)
- ↓ [Rhino Dual Fuel Range](#)
- ↓ [Sketchup Dual Fuel Range](#)
- ↓ [User Guide Freestanding Range EN](#)
- ↓ [User Guide Freestanding Range EN](#)

### Where applicable:

All appliances use energy, and energy usage typically generates carbon emissions. **Fisher & Paykel Appliances' In-use Energy Carbon Emissions Estimate** indicates carbon emissions from a product's in-use energy. This is calculated either annually or per cycle, using the product's market-specific energy label energy consumption data multiplied by the carbon emissions factor for energy in your country or region.

Our In-use Energy Carbon Emissions Estimate is designed to assist customers in making informed purchasing decisions when comparing different Fisher & Paykel products. For example, a heat pump dryer typically has a lower In-use Energy Carbon Emissions Estimate than a vented dryer.



**A PEACE OF MIND SALE**  
24 Hours 7 Days a Week Customer Support

T 1.888.936.7872 W [www.fisherpaykel.com](http://www.fisherpaykel.com)