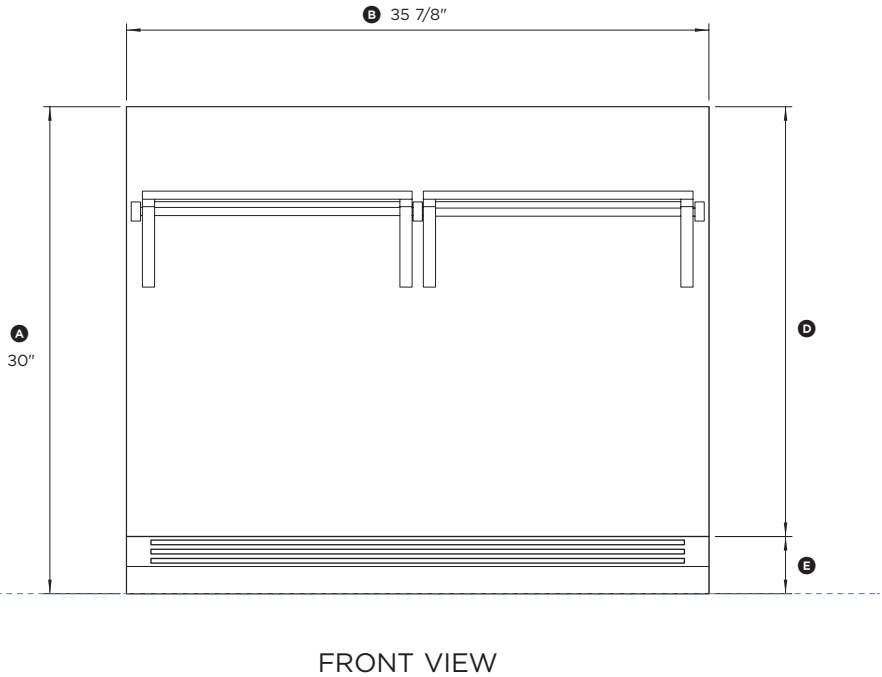
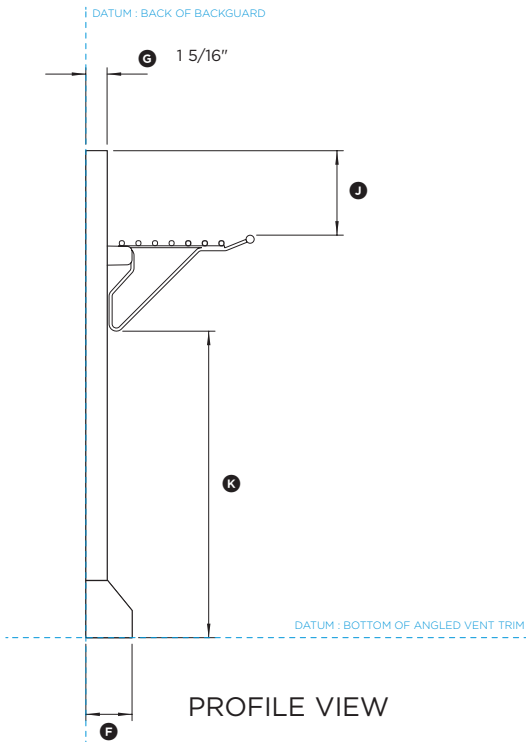
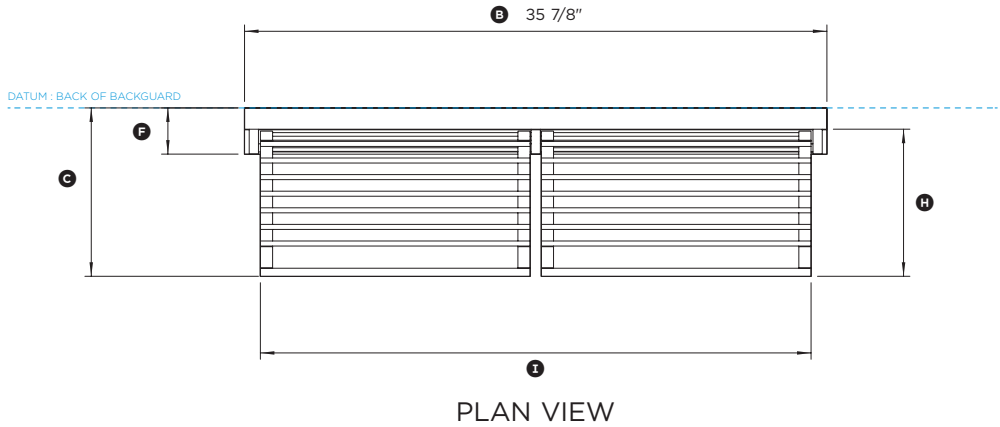
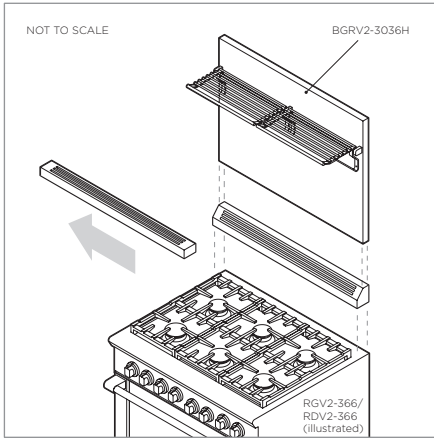


# FISHER & PAYKEL

## DATA SHEET 36" Professional Range Backguard with Angled Vent Trim



Model no:  
**BGRV2-3036H**  
(refer page 2 for metric measurements)

| Product Dimensions  | in        |
|---|-----------|
| Ⓐ Overall height of backguard with angled vent trim           | 30"       |
| Ⓑ Overall width of backguard                                  | 35 7/8"   |
| Ⓒ Overall depth of backguard and racks                        | 10 3/8"   |
| Ⓓ Height of backguard   | 26 1/2"   |
| Ⓔ Height of angled vent trim                                  | 3 1/2"    |
| Ⓕ Depth of angled vent trim                                   | 2 7/8"    |
| Ⓖ Depth of backguard  | 1 5/16"   |
| Ⓗ Depth of racks  | 9 1/16"   |
| Ⓘ Width of racks  | 33 15/16" |
| Ⓚ Distance from top of backguard to top of racks              | 5 3/8"    |
| Ⓛ Distance from bottom of angled vent trim to bottom of racks | 18 7/8"   |

NOTE: Angled vent trim supplied with BGRV2-3036H.  
Remove flat vent trim and replace with angled vent trim.

INDICATES PRODUCT DATUM -----

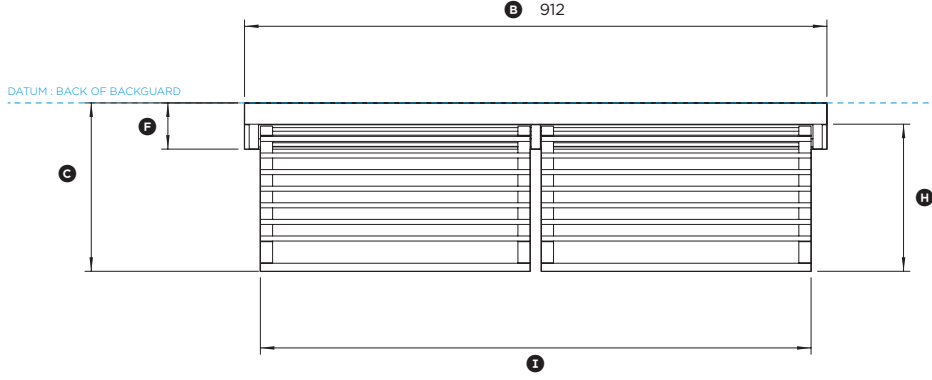
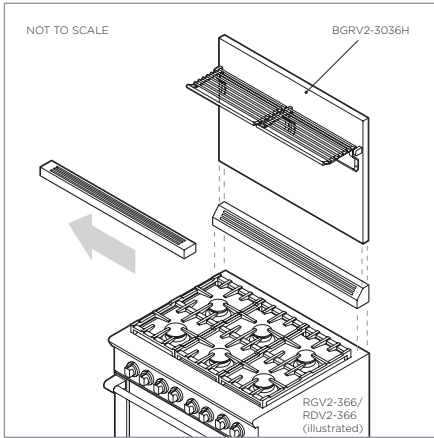


DATE: **08.02.2018**

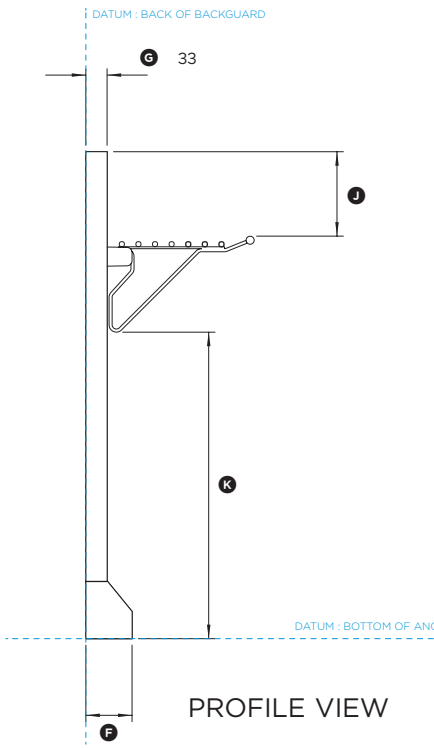
IMPORTANT NOTE: Throughout this guide, dimensions may vary by ±2mm (3/32"). Please read the installation manual for detailed information on installing the product. For full installation instructions & specifications visit [fisherpaykel.com](http://fisherpaykel.com)

# FISHER & PAYKEL

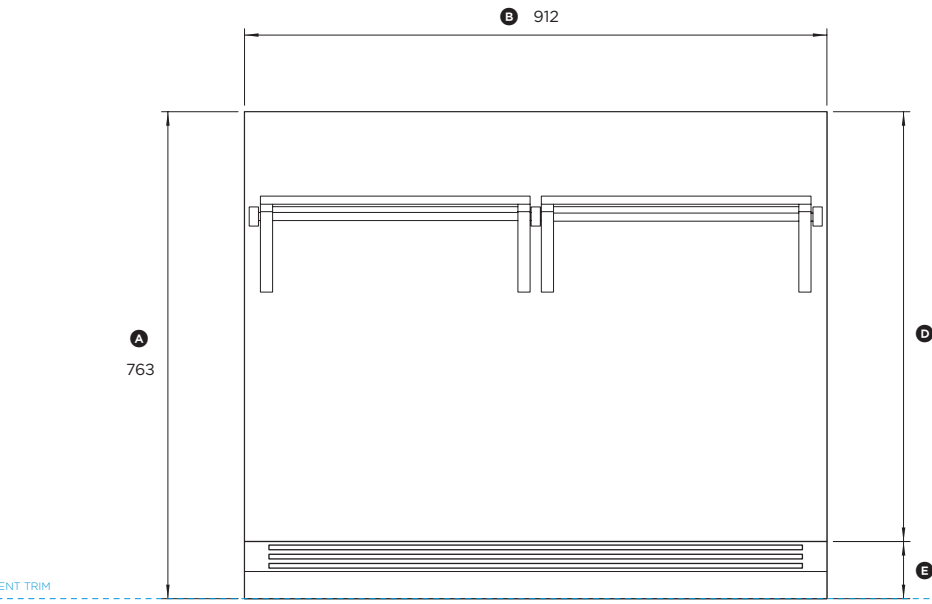
## DATA SHEET 36" Professional Range Backguard with Angled Vent Trim



PLAN VIEW



PROFILE VIEW



FRONT VIEW



Model no:  
**BGRV2-3036H**  
(refer page 1 for imperial measurements)

| Product Dimensions  | mm  |
|---|-----|
| Ⓐ Overall height of backguard with angled vent trim           | 763 |
| Ⓑ Overall width of backguard                                  | 911 |
| Ⓒ Overall depth of backguard and racks                        | 264 |
| Ⓓ Height of backguard   | 673 |
| Ⓔ Height of angled vent trim                                  | 90  |
| Ⓕ Depth of angled vent trim                                   | 72  |
| Ⓖ Depth of backguard  | 33  |
| Ⓗ Depth of racks  | 230 |
| Ⓙ Width of racks  | 862 |
| ⓫ Distance from top of backguard to top of racks              | 136 |
| ⓬ Distance from bottom of angled vent trim to bottom of racks | 480 |

NOTE: Angled vent trim supplied with BGRV2-3036H.  
Remove flat vent trim and replace with angled vent trim.

INDICATES PRODUCT DATUM -----

DATE: 08.02.2018

IMPORTANT NOTE: Throughout this guide, dimensions may vary by ±2mm (3/32"). Please read the installation manual for detailed information on installing the product. For full installation instructions & specifications visit [fisherpaykel.com](http://fisherpaykel.com)