

FISHER & PAYKEL

**INTEGRATED INSERT RANGEHOOD
WITH EXTERNAL BLOWER**



**CONTEMPORARY
HP60IDCHEX3 & HP90IDCHEX3**

**USER GUIDE / INSTALLATION GUIDE
NZ AU**

FISHER & PAYKEL

**INTEGRATED INSERT RANGEHOOD
WITH EXTERNAL BLOWER**



CONTEMPORARY
HP60IDCHEX3 & HP90IDCHEX3

USER GUIDE
NZ AU

CONTENTS

Safety and warnings	4
Using your rangehood	6
Control panel	7
Care and cleaning	8
Parts and accessories	9
Troubleshooting	10
Manufacturer's Warranty	11
Customer care	13

Registration

To register your product visit our website: fisherpaykel.com/register

⚠ WARNING!



Electric Shock Hazard

Failure to follow this advice may result in electric shock or death.

- Always disconnect the appliance from the mains power supply before carrying out any maintenance or repairs. Failure to do so can result in death, electric shock, fire or injury to persons.
- Do not immerse cord or plugs in water or other liquid.

⚠ WARNING!



Weight Hazard

Failure to follow this advice may result in personal injury.

- The appliance is heavy. Please ensure adequate care is taken when installing the appliance to prevent personal injury.
- **Product weight:** 6.4kg (HP60) and 8.4kg (HP90).

READ AND SAVE THESE INSTRUCTIONS

SAFETY AND WARNINGS

WARNING!

When using this appliance always exercise basic safety precautions including the following:

- This product is for use with a compatible Fisher & Paykel external blower. Failure to comply could void your warranty.
- Please read the entire set of instructions before installing or using this appliance.
- The room must have adequate ventilation when the rangehood is used at the same time as appliances burning gas or other fuels.
- For Australia and New Zealand: Range hoods and other cooking fume extractors may adversely affect the safe operation of appliances burning gas or other fuels (including those in other rooms) due to back flow of combustion gases. These gases can potentially result in carbon monoxide poisoning. After installation of a range hood or other cooking fume extractor, the operation of flued gas appliances should be tested by a competent person to ensure that back flow of combustion gases does not occur.
- This appliance is not intended for use by persons (including children) with reduced physical, sensory or mental capabilities, or lack of experience and knowledge, unless they have been given supervision or instruction concerning the use of the appliance by a person responsible for their safety.
- Children should be supervised to ensure they do not play with the appliance. Cleaning and user maintenance shall not be made by children without supervision.
- You must read the details concerning the method and frequency of cleaning.
- There is a fire risk if cleaning is not carried out in accordance with the instructions.
- Never leave frying food unattended since grease can overheat and catch fire. The risk of fire is even greater in the case of used oil.
- Do not flambé under the rangehood.
- Never use the rangehood without the filters in place.
- CAUTION: accessible parts may become hot when used with cooking appliances.
- Remove all packaging, including protective wrappings, before use.
- Unplug or disconnect the appliance from the power supply before servicing or cleaning.
- The rangehood may stop working during an electrostatic discharge (eg lightning). Switch off the electricity supply to the rangehood and reconnect after one minute.
- Never use abrasive or oil based cleaners.

USING YOUR RANGEHOOD

This rangehood should be turned on for a few minutes before cooking in order to establish air currents upward through the rangehood. This will also enable hot air removal from your kitchen and keep the rangehood surface cool. When heat, smoke, moisture, grease and cooking odours are produced, they will be carried outside instead of drifting into other rooms.

Use the low fan speeds for normal use and the higher fan speeds for high heat, strong odours or fumes.

Induction cooking considerations

Induction cooktops use energy efficient technology that only heats the contents of a cooking pot. Unlike gas or traditional electric cooktops, the surrounding air does not get heated when using an induction cooktop. As a result, rangehood filters, splashbacks and surrounding cabinetry do not get warmed up, increasing the likelihood of condensation on these cooler surfaces. Other factors like ambient temperature, humidity, natural ventilation of the room, size of the cookware and how the induction cooktop is being used also influence condensation. For example, rapid boiling on high cooktop heat settings like PowerBoost increases the rate at which water is evaporated, increasing the likelihood of condensation. It is important to understand that neither the rangehood nor the induction cooktop are faulty as a result of this phenomenon.

Condensation can be minimised by:

- Using the rangehood on a lower speed setting when boiling.
- Using the induction cooktop on a lower heat setting when boiling.
- Switching the rangehood on 5 minutes before cooking and letting it run for at least 5 minutes after cooking.

Gas cooking considerations

Using a powerful gas cooktop or multiple gas burners operating at the same time can cause the rangehood surfaces to become hot. This effect can be reduced by:

- Using the maximum speed setting to enable hot air to be extracted quickly.

CONTROL PANEL



① Filter cleaning alert	Illuminates to alert the need to clean filters. Can be reset with a single button press.
② Timer	Press to turn the timer on. The fan operates for 5 minutes at the current speed and each descending speed before turning off.
③ Lights	Press to turn the lights on/off. The lights are dimmable. Press and hold to adjust the brightness level.
④ Power on/off	Press to turn the rangehood on/off. The fan automatically turns on to operate at level 1.
⑤ Fan speed 1	Press to select the lowest fan speed 1. The fan speed level icon illuminates red when selected.
⑥ Fan speed 2	Press to select fan speed 2.
⑦ Fan speed 3	Press to select fan speed 3.
⑧ Boost	Press to turn the fan onto boost speed. The icon flashes red when it is on. The rangehood will operate on boost speed for 5 minutes and will then revert to speed 3.

CARE AND CLEANING

This rangehood should be cleaned regularly using a mild, liquid detergent and a clean soft cloth to avoid a build-up of grease occurring. Avoid the use of corrosive chemicals, abrasive cleaning products, hard brushes and steel wool pads. Grease deposits are corrosive which can cause damage.

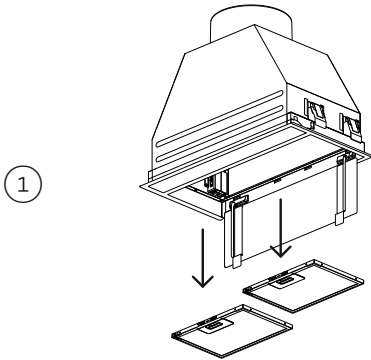
In areas of high humidity or coastal environments, cleaning should be carried out more frequently. Disconnect the product from the power source before undertaking any cleaning.

Do not operate the hood without filters in place.

Aluminum filters

- Clean the filters at least once a month. Filters may need to be cleaned more frequently depending on the cooking methods used and frequency of use.
- Aluminum filters should be removed and cleaned with hot soapy water or in a dishwasher.
- If washed in a dishwasher, the filter should be placed in an upright position to prevent food from falling on them.
- After rinsing and drying, refit the filters.

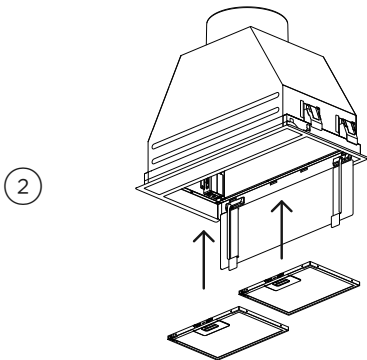
Removing the aluminium filters



Open the perimeter plate.

Pull the catch and tilt the filter downwards until it disengages from the supports.

Replacing the aluminium filters



Place the filter into the support at the rear of the rangehood. Push the filter back into place. Close the perimeter plate.

CARE AND CLEANING

Replacing LED lights

- To replace the LED lights please contact your Fisher & Paykel trained and supported service technician. Refer to fisherpaykel.com or your separate service and warranty book provided with your rangehood for contact details.

External blower maintenance and cleaning

- Before roof restoration or cleaning, completely cover the outside motor system to avoid any chemical contact.
- Regularly clean the area surrounding the external blower to ensure it is not blocked by debris.

PARTS AND ACCESSORIES

ITEM	REFERENCE NUMBER
Aluminium filter 60cm	792942
Aluminium filter 90cm	792943

TROUBLESHOOTING

If there is a problem with your rangehood, please check the following points before contacting your local Fisher & Paykel trained and supported service technician or the Customer Care Centre.

PROBLEM	POSSIBLE CAUSES	WHAT TO DO
The external blower shuts off during use.	The external blower is equipped with a thermal protector to avoid overheating conditions.	Turn off the rangehood. Wait approximately 60 minutes and then attempt to restart the hood.
Airflow is lower than expected.	The ducting or the external blower is blocked.	Check the external blower is clear of debris. Check the ducting for kinks or other blockages.
Rangehood is loud.	Incorrect installation.	External blower should be installed as per the installation guide.
Excessive condensation forms on the rangehood.	Using an induction cooktop. High ambient temperature, humidity or low natural ventilation in the room. Height of rangehood installation.	Condensation can be minimised, refer to 'Using your rangehood'.

MANUFACTURER'S WARRANTY

You automatically receive a 2 year Manufacturer's Warranty with the purchase of this Built-In Integrated Rangehood covering parts and labour for servicing within the country of purchase.

Fisher & Paykel undertakes to:

Repair or, at its option, replace without cost to the owner either for material or labour any part of the product, the serial number of which appears on the product, which is found to be defective within TWO YEARS of the date of purchase.

Note: this Manufacturer's Warranty is an extra benefit and does not affect your legal rights.

This Manufacturer's Warranty DOES NOT cover

- Ⓐ Service calls which are not related to any defect in the product. The cost of a service call will be charged if the problem is not found to be a product fault. For example:
 - ① Correcting the installation of the product.
 - ② Instructing you how to use the product.
 - ③ Replacing house fuses or correcting house wiring or plumbing.
 - ④ Correcting fault(s) caused by the user.
 - ⑤ Noise or vibration that is considered normal, eg drain/fan sounds, refrigeration noises or user warning beeps.
 - ⑥ Correcting damage caused by pests, eg rats, cockroaches, etc
 - ⑦ Replacement light bulbs.
- Ⓑ Defects caused by factors other than:
 - ① Normal domestic use; or
 - ② Use in accordance with the product's user guide.
- Ⓒ Defects to the product caused by accident, neglect, misuse or 'act of God'.
- Ⓓ The cost of repairs carried out by non-trained and supported service technicians or the cost of correcting such repairs.
- Ⓔ Normal recommended maintenance as set out in the product's user guide.
- Ⓕ Repairs when the appliance has been dismantled, repaired or serviced by other than a Fisher & Paykel trained and supported service technician or the selling dealer.
- Ⓖ Pick-up and delivery.
- Ⓖ Transportation or travelling costs involved in the repair when the product is installed outside the Fisher & Paykel trained and supported service technician's normal service area.

Nothing in this manufacturer's warranty is intended to, or does, limit any rights you may have under law to recover the costs of inspecting or returning the goods to us.

This product has been designed for use in a normal domestic (residential) environment. This product is not designed for commercial use (whatsoever). Any commercial use by a customer will affect this product's Manufacturer's Warranty.

Service under this Manufacturer's Warranty must be provided by a Fisher & Paykel trained and supported service technician (refer to the 'Customer Care' section at the back of this book). Such service shall be provided during normal business hours. This Manufacturer's Warranty certificate should be shown when making any claim.

MANUFACTURER'S WARRANTY

For Australian Customers

This Manufacturer's Warranty is an extra benefit and does not affect your legal rights. Our goods come with guarantees that cannot be excluded under the Australian Consumer Law. You are entitled to a replacement or refund for a major failure and for compensation for any other reasonably foreseeable loss or damage.

You are also entitled to have the goods repaired or replaced if the goods fail to be of acceptable quality and the failure does not amount to a major failure.

Please keep this user guide in a safe place.

CUSTOMER CARE

Before you call for service or assistance

Check the things you can do yourself. Refer to your user guide and check that:

- ① Your product is correctly installed.
- ② You are familiar with its normal operation.

If after checking these points you still need assistance or parts, please refer to your nearest Fisher & Paykel trained and supported service technician, Customer Care, or contact us through our local website listed on the back cover.

In New Zealand if you need assistance*

Call your Fisher & Paykel retailer who is trained to provide information on your appliance, or if we can be of any further help, contact our Customer Care Centre.

Toll free: 0800 FP CARE or 0800 372 273

Fax: (09) 273 0656

Website: fisherpaykel.com

Postal address: Fisher & Paykel Appliances Ltd, PO Box 58550, Botany, Auckland 2163

If you need service*

Fisher & Paykel has a network of Fisher & Paykel trained and supported service technicians that can carry out any service necessary on your appliance. Our Customer Care Centre can recommend a Fisher & Paykel trained and supported service technician in your area.

In Australia if you need assistance*

Call the Fisher & Paykel Customer Care Centre and talk to one of our Customer Care Consultants.

Toll free: 1300 650 590

Fax: (07) 3826 9298

Website: fisherpaykel.com

Postal address: Fisher & Paykel Appliances Ltd, PO Box 798, Cleveland QLD 4163

If you need service*

Fisher & Paykel has a network of Fisher & Paykel trained and supported service technicians that can carry out any service necessary on your appliance. Our Customer Care Centre can recommend a Fisher & Paykel trained and supported service technician in your area.

For rest of the world*

Call your Fisher & Paykel retailer/dealer from whom you purchased the product. They are trained to provide information on your appliance. If we can be of any further help, contact use on:

Phone: +64 9 273 0660

Fax: +64 9 273 0580

Website: fisherpaykel.com

Postal address: Fisher & Paykel Appliances Ltd, PO Box 58550, Botany, Auckland 2163, New Zealand.

CUSTOMER CARE

*If you call, write or contact our website please provide:
your name and address, model number, serial number, date of purchase and a complete description of the problem. This information is needed in order to better respond to your request for assistance.

**Product details can be found on the inside of the chassis.
The filter needs to be removed to be able to see them.**

Registration

Register your product with us so we can provide you with the best service possible.
To register your product visit our website: fisherpaykel.com/register

Complete and keep for safe reference:

Model	_____
Serial No.	_____
Purchase Date	_____
Purchaser	_____
Dealer	_____
Suburb	_____
Town	_____
Country	_____

FISHER & PAYKEL

**INTEGRATED INSERT RANGEHOOD
WITH EXTERNAL BLOWER**



**CONTEMPORARY
HP60IDCHEX3 & HP90IDCHEX3**

**INSTALLATION GUIDE
NZ AU**

CONTENTS

Safety and warnings	4
Parts supplied	6
Prior to installation	7
Product dimensions	8
Cutout dimensions	10
Installation height	12
Venting requirements	14
Prepare rangehood	16
Connect rangehood	18
Parts and accessories	20
Final checklist	21

SAFETY AND WARNINGS

⚠ WARNING!



Electric Shock Hazard

Failure to follow this advice may result in electric shock or death.

- Always disconnect the appliance the appliance from the mains power supply before carrying out any maintenance or repairs. Failure to do so can result in death, electric shock, fire or injury to persons.
- Do not immerse cord or plugs in water or other liquid.

⚠ WARNING!



Weight Hazard

Failure to follow this advice may result in personal injury.

- The appliance is heavy. Please ensure adequate care is taken when installing the appliance to prevent personal injury.
- **Product weight:** 6.4kg (HP60) and 8.4kg (HP90).

⚠ WARNING!



Cut Hazard

Failure to use caution could result in injury.

- Take care: some edges are sharp.
- Wear gloves to protect against sharp edges.

READ AND SAVE THESE INSTRUCTIONS

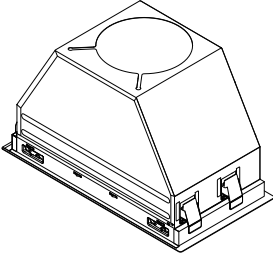
SAFETY AND WARNINGS

WARNING!

When using this appliance always exercise basic safety precautions including the following:

- Please read the entire set of instructions before installing or using this appliance.
- Please make this information available to the person installing the appliance
- Always switch the power off prior to installation, servicing or cleaning of the appliance.
- This appliance must be installed and connected to the mains power supply only by a suitably qualified person according to these installation instructions and in compliance with any applicable local building and electricity regulations. Failure to install the appliance correctly could invalidate any warranty or liability claims.
- To comply with electrical safety regulations, the appliance must be plugged into a socket near the appliance. The socket must be accessible, or have an accessible isolating switch, to enable the end user to isolate the appliance from the power for the purpose of internal cleaning or maintenance.
- A power outlet should be within 750 mm of the rangehood and can either be on the wall or in the ceiling.
- If the supply cord of this equipment is damaged, it must only be replaced by the manufacturer, its service agent or similarly qualified person in order to avoid a hazard.
- All ducting must comply with local requirements and building codes.
- Attention should be given to ensure that any applicable regulations concerning the discharge of exhaust air are fulfilled.
- Before connecting any pipes, consult municipal ordinances to ensure that any applicable regulations concerning the discharge of exhaust air are adhered to and request permission from the person in charge of the building.
- Exhaust air must not be discharged into an existing flue that is used for exhausting fumes from appliances burning gas or other fuels.
- Stainless steel or powdercoat is very easily damaged during installation if abraded or knocked by tools. It is recommended to protect the top of the appliance with cardboard or polystyrene during the installation to minimise the risk of damage occurring.
- To reduce the risk of damage occurring to the cooktop, it is recommended that the surface of the cooktop is protected with cardboard or a similar object during installation of the rangehood.
- In order to avoid a hazard due to inadvertent resetting of the thermal cut-out, this appliance must not be supplied through an external switching device, such as a timer, or connected to a circuit that is regularly switched on and off by the utility.

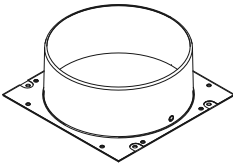
PARTS SUPPLIED



Rangehood (1)



Installation guide (1)



200 mm ducting adapter (1)



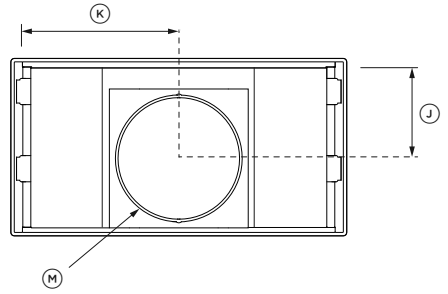
8 mm screw (4)

PRIOR TO INSTALLATION

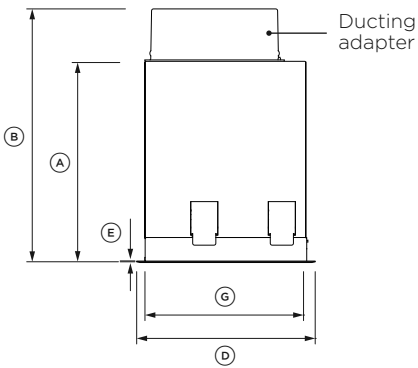
Fisher & Paykel is not liable for any damage caused by not following these instructions.

- Please read the instructions carefully.
- Unpack the rangehood.
- Ensure the voltage (V) and the frequency (Hz) indicated on the rating plate match the voltage and frequency of the installation site.
- Check all functions are working.
- The rangehood surfaces can be damaged during installation if grazed or knocked by tools. Please take care to protect the surfaces during installation.
- Protect the cooktop surface with cardboard, or the like, to prevent damage occurring whilst the rangehood is being installed above.
- The cabinet used for mounting the rangehood should have sufficient strength.
- A power outlet should be within 750 mm of the rangehood and can either be on the wall or in the ceiling.

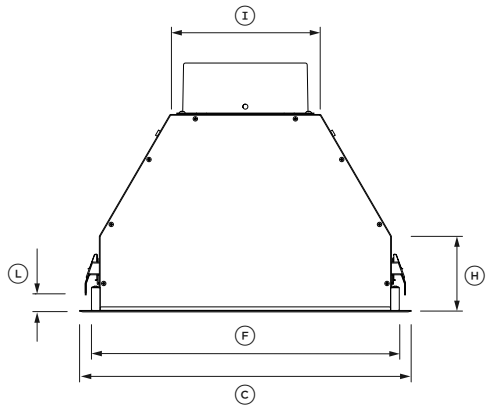
PRODUCT DIMENSIONS



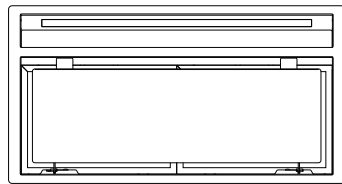
PLAN



PROFILE



FRONT



BOTTOM VIEW

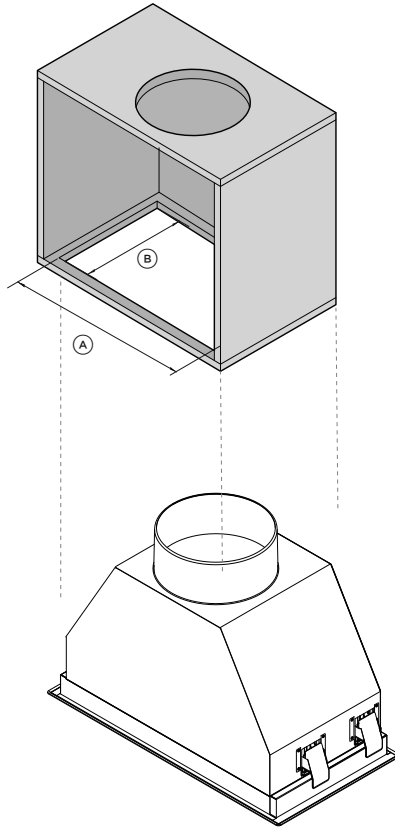
PRODUCT DIMENSIONS

PRODUCT DIMENSIONS	HP60	HP90
	MM	MM
Ⓐ Overall height of product without ducting adapter	316	316
Ⓑ Overall height of product with ducting adapter	398	398
Ⓒ Overall width of product	530	830
Ⓓ Overall depth of product	280	280
Ⓔ Thickness of flange	2	2
Ⓕ Width of the chassis	492	792
Ⓖ Depth of the chassis	255	255
Ⓗ Height of the chassis	120	120
Ⓘ Width of top surface of chassis	240	240
Ⓙ Distance from centre of ducting outlet to back of chassis	145	145
Ⓚ Distance from centre of ducting outlet to side of chassis	245	395
Ⓛ Base of brackets/clips to bottom of chassis	min 15 max 40	min 15 max 40
Ⓜ Diameter of ducting outlet	200	200
Length of power cord	1200	1200
Length of external blower connection cord	1200	1200

Actual product dimensions may vary by ± 2 mm.

CUTOUT DIMENSIONS

60cm model



CUTOUT DIMENSIONS

HP60

MM

Ⓐ Overall width of the cutout

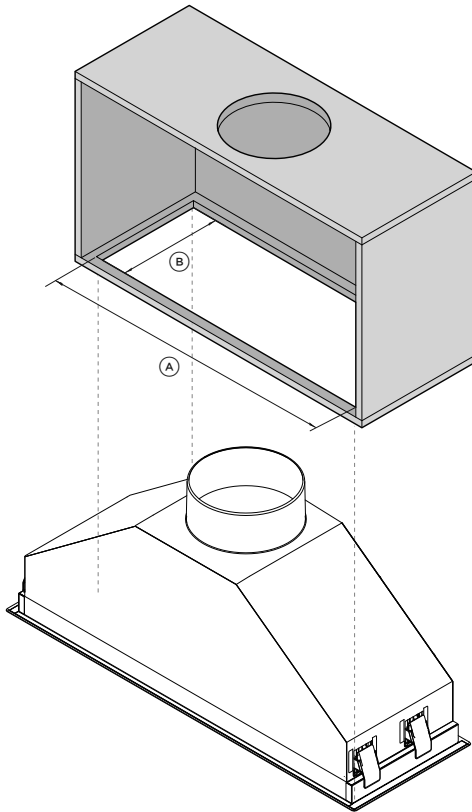
500

Ⓑ Overall depth of the cutout

260

CUTOUT DIMENSIONS

90cm model



CUTOUT DIMENSIONS

HP90

MM

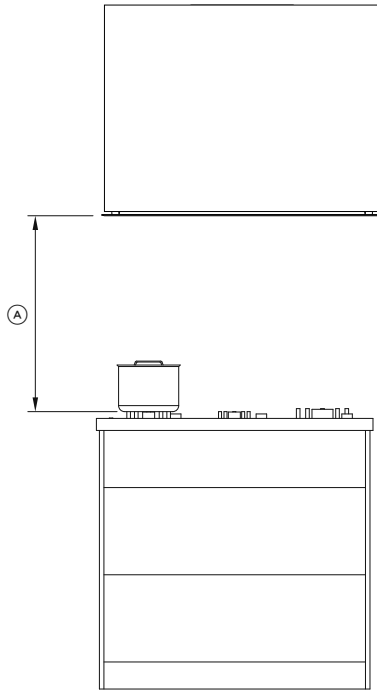
Ⓐ Overall width of the cutout

800

Ⓑ Overall depth of the cutout

260

INSTALLATION HEIGHT



HEIGHT DIMENSIONS

MM

Ⓐ Height top of cooktop to base of product

- Electric cooktop
- Gas cooktop

min 600 - max 750

min 650 - max 750

This rangehood must be installed no lower than the minimum height indicated in the table above. Minimum installation height may be greater if required by the cooktop, refer to your cooktop installation instructions.

Installation at the minimum height will improve the efficiency of capturing cooking odours, grease and smoke. Installation above the minimum height is the users preference, it is not recommended to install above the maximum height indicated in the table above.

INSTALLATION HEIGHT

Induction cooktop considerations

- Induction cooktops use energy efficient technology that only heats the contents of a cooking pot.
- Unlike gas or traditional electric cooktops, the surrounding air does not get heated when using an induction cooktop. As a result, rangehood filters, splashbacks and surrounding cabinetry do not get warmed up, increasing the likelihood of condensation on these cooler surfaces.
- Other factors like ambient temperature, humidity, natural ventilation of the room, size of the cookware and how the induction cooktop is being used also influence condensation. For example, aggressive boiling on high cooktop heat settings like PowerBoost increases the rate at which water is evaporated, increasing the likelihood of condensation.
- It is important to understand that neither the rangehood nor the induction cooktop are faulty as a result of this phenomenon.

Condensation can be minimised by:

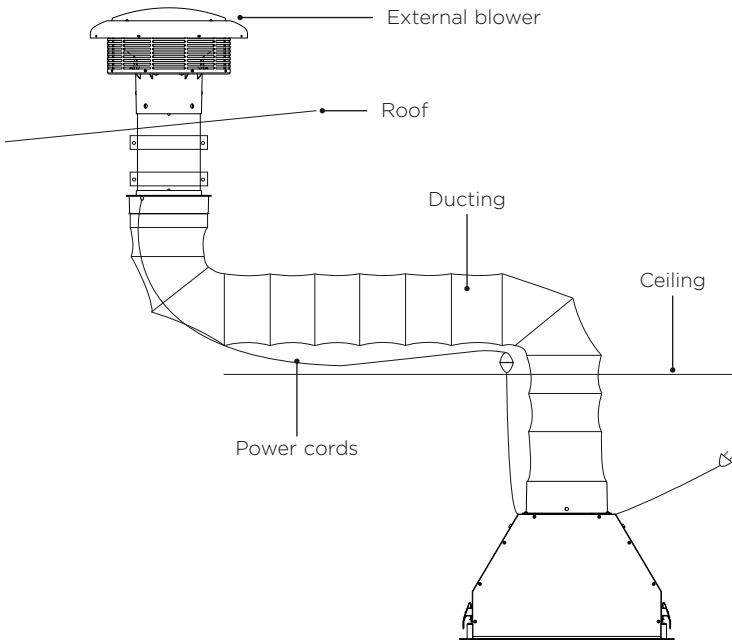
- Installing the rangehood at the maximum height above the cooktop as specified in this user guide.
- Using the rangehood on a lower speed setting when boiling.
- Using the induction cooktop on a lower heat setting when boiling.
- Switching the rangehood on 5 minutes before cooking and letting it run for at least 5 minutes after cooking. Refer to the 'your user guide for details of how to use the timer function.

VENTING REQUIREMENTS

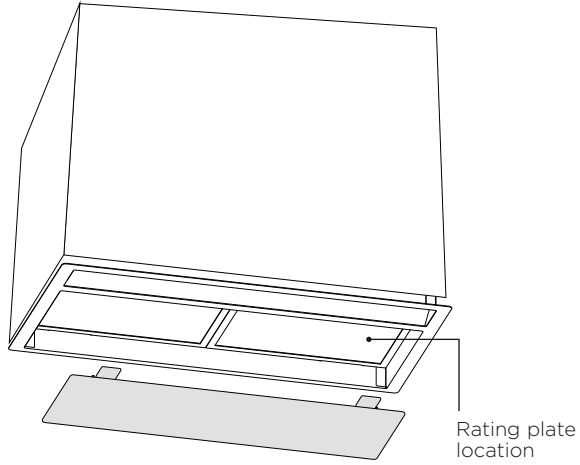
Attention should be given to ensure that any applicable regulations concerning the discharge of exhaust air are fulfilled.

This rangehood is designed to operate with a Fisher & Paykel external blower with the exhaust air ducted externally from the kitchen.

External blower rangehood installation is different from internal blower rangehood installation, please refer to the external blower installation guide for details.



ELECTRICIAL REQUIREMENTS

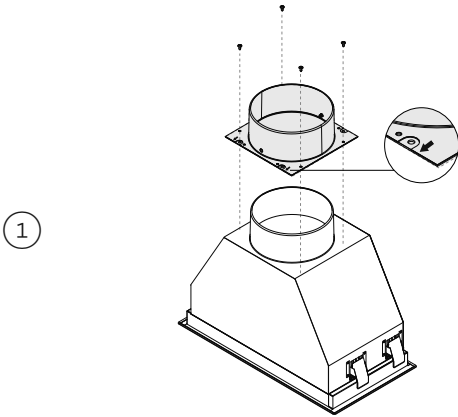


Before connecting the rangehood to the power supply, ensure the voltage and frequency indicated on the rating plate match that of the installation location:

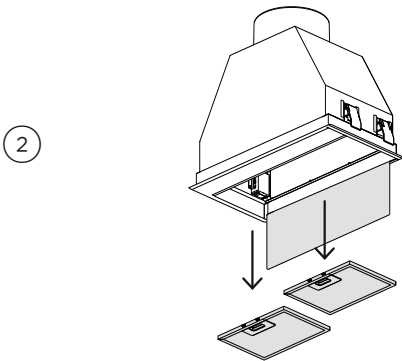
MODEL	FREQUENCY	VOLTAGE
HP60	50 Hz	230 V
HP90	50 Hz	230 V

PREPARE RANGEHOOD

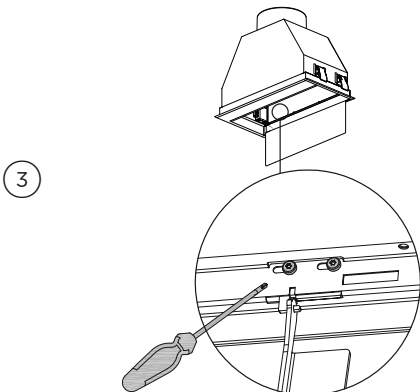
Warning: Failure to install the screws or fixing device in accordance with these instructions may result in an electrical hazards.



Place the ducting adapter onto the hood and screw it in place using the screws supplied. Ensure the arrows on the hood and ducting adaptor align.



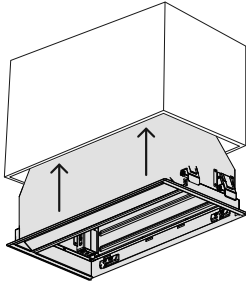
Open the perimeter plate and remove the filters - pull the catch and tilt the filter downwards until it disengages from the supports.



Remove the perimeter plate: Loosen the screws and slide the perimeter plate off the bracket.

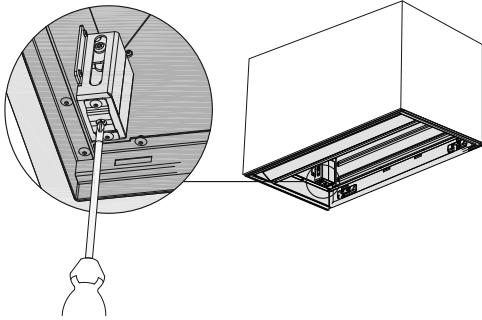
FIT RANGEHOOD

1



Lift the rangehood and fit into the cabinetry until the spring loaded brackets/clips hold the product in place.

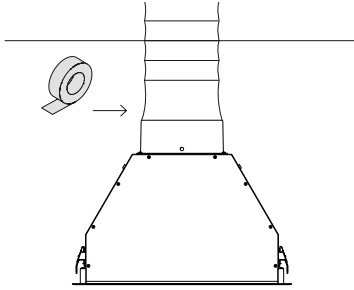
2



Secure the rangehood by tightening the 4 brackets/clips.

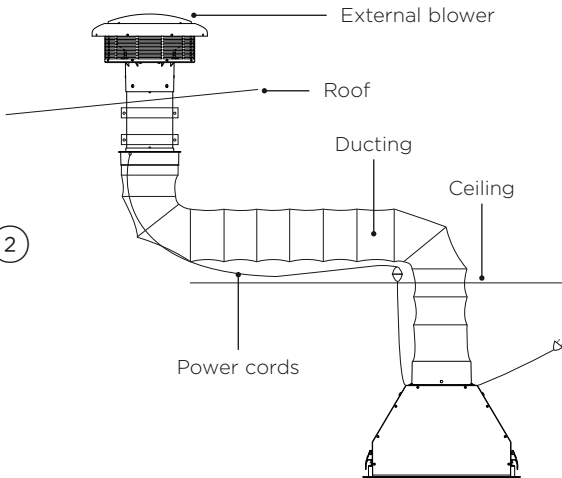
CONNECT RANGEHOOD

1



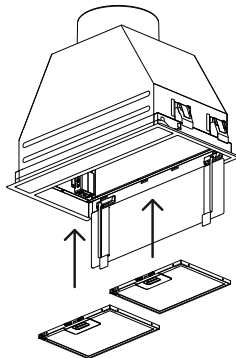
Connect the supplied flexible ducting to the duct adapter with aluminium tape.

2



Install the external blower (if not already installed), refer to rangehood external blower installation guide.

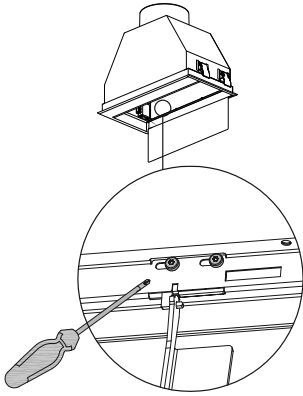
3



Reinstall the filters. Place the filter into the support at the rear of the rangehood. Push the filter back into place.

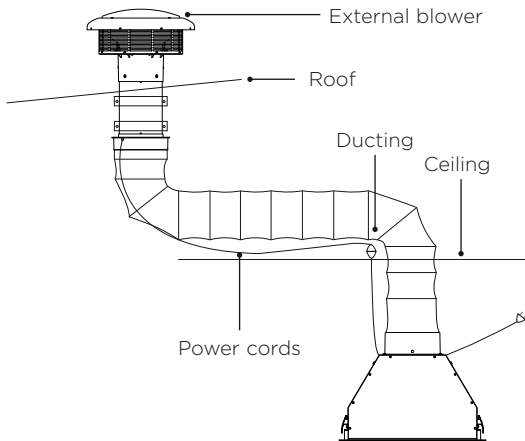
CONNECT RANGEHOOD

4



Reattach the perimeter plate.
Slide the the perimeter plate onto
the bracket and tighten the screws.

5



Connect to the external blower and
plug the rangehood in.

PARTS AND ACCESSORIES

ITEM	REFERENCE NUMBER
Flexible ducting 200mm (6m)	792961

FINAL CHECKLIST

TO BE COMPLETED BY THE INSTALLER

- Rangehood is correctly installed
- All connections are secure
- Ducting has not been crushed or bent in any area's
- Flexible ducting has been pulled taut and any excess removed (if required)
- Power plug switch is accessible to the customer
- Product is plugged in and power switched on
- Operation of the product has been tested

Complete and keep for safe reference:

Model _____

Serial no. _____

Purchase date _____

Purchaser _____

Dealer address _____

Installer's name _____

Installer's signature _____

Installation company _____

Installation date _____

FISHERPAYKEL.COM

© Fisher & Paykel Appliances 2022. All rights reserved.

The models shown in this guide may not be available in all markets
and are subject to change at any time.

The product specifications in this guide apply to the specific products and
models described at the date of issue. Under our policy of continuous product
improvement, these specifications may change at any time.

For current details about model and specification availability in your country,
please go to our website or contact your local Fisher & Paykel dealer.

105949B 04.22