

# Series 7, Contemporary Double DishDrawer Dishwasher

Series 7 | Contemporary

Black Stainless Steel



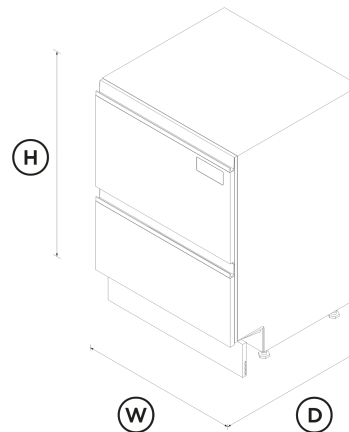
Wash one drawer while you load the other, with room in each drawer for full-size dinner plates.

- Designed to be installed under your benchtop, with recessed handles for a seamless look
- Six wash programs, as well as additional Quick wash, Sanitise and Dry+ modifiers

- Flexible racking allows you to customise internal shelves to suit your needs
- Wi-Fi enabled and works with the SmartHQ™ app for remote control and notifications

## DIMENSIONS

Height	820 - 880 mm
Width	599 mm
Depth	573 mm



## FEATURES & BENEFITS

### Seamless Fit

Our built-under DishDrawer™ Dishwashers are installed flush under your benchtop with the option of a custom kickstrip, ensuring minimal gaps. Designed to match the Fisher & Paykel family of kitchen appliances with recessed handles for a streamlined look.

### Ease Of Use

DishDrawer™ Dishwashers are as easy to open and close as kitchen drawers and can be conveniently positioned at bench height for ease of loading and minimal bending. Flexible racking allows you to make adjustments to fit in a variety of dishes.

### Quick, Sanitise And Dry+ Options

The Quick wash modifier delivers a faster wash while maintaining performance. The Sanitise option provides extra protection, killing 99.9% of bacteria\* in the final rinse. The Dry+ setting is perfect for plastic dishes.

\*Certified to NSF/ANSI Standard 184

### Beauty Of Choice

As much a design component as a high performance appliance, the black DishDrawer™ Dishwasher brings a touch of sophistication to your kitchen, on its own or part of a matching kitchen appliance set.

### True Half Load

Each drawer holds a true half load for small, fast washing that won't waste water. Both drawers operate independently so two wash cycles can operate simultaneously to allow for varying loads.

### Independent Wash

With the ability to use both drawers independently and select different wash programs, the DishDrawer™ Dishwasher can wash everything from fine glass and crystal to heavily soiled pots and pans.

### Quiet Performer

Running at a very low decibel rating, these DishDrawer™ Dishwashers do their job without making a fuss. The combination of intelligent technology and simple mechanics means greater reliability and excellent wash performance.

**SPECIFICATIONS**

**Accessories (included)**

Cutlery basket	•
Kickstrip	<b>true</b>
Knife clip and multipurpose clip	•

**Capacity and loading**

Accommodates round plates up to	<b>280mm</b>
Adjustable height, foldable cupracks	•
Fold down tines	•
Pitch adjustable tines	•
Place settings	<b>14</b>
Place settings	<b>14</b>
Place settings per drawer	<b>7</b>
Place settings per drawer	<b>7</b>

**Consumption**

Energy rating	<b>3.5 star</b>
Energy usage	<b>136kWh/year per drawer</b>
In-use energy carbon emissions estimate	<b>88.6kgCO2e/year per drawer</b>
Water consumption (per wash cycle)	<b>6.9L per drawer</b>
Water rating	<b>4.5 star (WELS)</b>

**Controls**

Energy saving delay start option of up to 12 hours	•
Intuitive capacitive touch controls	•
Keylock	•
Rinse aid indicator light	•
Smart appliance	•

**Features**

Fan assisted drying	•
Flood protection	•
Flow through detergent dispenser	•
Motor type	<b>BLDC</b>
Quiet operation	•
SmartDrive™ technology	•

**Performance**

Noise on standard cycle top drawer	<b>42 dBA</b>
------------------------------------	---------------

**Power requirements**

Amperage	<b>10A</b>
Supply frequency	<b>50Hz</b>
Supply voltage	<b>220 - 240V</b>

**Product dimensions**

Depth	<b>573 mm</b>
Height	<b>820 - 880 mm</b>

Width	<b>599 mm</b>
-------	---------------

**Warranty**

Parts and labour	<b>2 years</b>
------------------	----------------

**Wash Program Modifiers**

Dry +	•
Quick	•
Sanitise	•
Wash modifiers	<b>3</b>

**Wash Programs**

60 min	•
Eco	•
Glassware	•
Heavy	•
Light	•
Medium	•
Rinse	•
Wash programs	<b>7</b>

**Water connection**

Water pressure	<b>30kPa - 1000 kPa</b>
Water supply	<b>3/4" BSP (20mm) Connector Water Inlet Hose</b>

SKU

82879



**A PEACE OF MIND SALE**  
24 Hours 7 Days a Week Customer Support  
T 1300 650 590 W [www.fisherpaykel.com](http://www.fisherpaykel.com)

---

The product dimensions and specifications in this page apply to the specific product and model. Under our policy of continuous improvement, these dimensions and specifications may change at any time. You should therefore check with Fisher & Paykel's Customer Care Centre to ensure this page correctly describes the model currently available. © Fisher & Paykel Appliances Ltd 2020

#### Other product downloads available at [fisherpaykel.com](http://fisherpaykel.com)

- [↓](#) Energy Label DishDrawer™ Dishwasher
- [↓](#) Service & Warranty
- [↓](#) Installation Guide Double DishDrawer™ Dishwasher
- [↓](#) Preliminary Specification Guide Double DishDrawer™ Dishwasher
- [↓](#) User Guide DishDrawer™ Dishwasher

#### Where applicable:

All appliances use energy, and energy usage typically generates carbon emissions. **Fisher & Paykel Appliances' In-use Energy Carbon Emissions Estimate** indicates carbon emissions from a product's in-use energy. This is calculated either annually or per cycle, using the product's market-specific energy label energy consumption data multiplied by the carbon emissions factor for energy in your country or region.

Our In-use Energy Carbon Emissions Estimate is designed to assist customers in making informed purchasing decisions when comparing different Fisher & Paykel products. For example, a heat pump dryer typically has a lower In-use Energy Carbon Emissions Estimate than a vented dryer.