

24" Series 7 Contemporary Self-Cleaning Oven, 9 Function

Series 7 | Contemporary

Stainless Steel



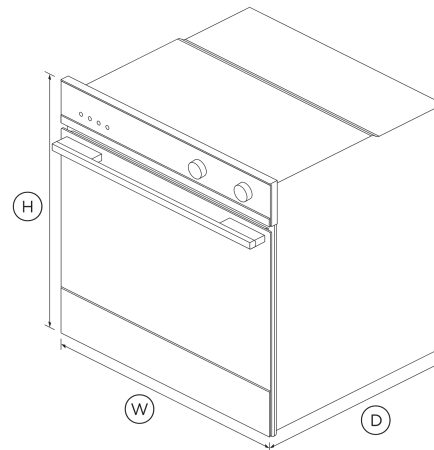
With generous capacity and beautiful contemporary styling, this built-in oven will complement your kitchen design perfectly.

- Three cubic feet total capacity, with nine oven functions including Aero™ Pastry and Roast
- Self-cleaning function breaks down food residue for an easy clean
- Moisture control and even heat distribution thanks to ActiveVent™ and AeroTech technology

- Optional non-tip, full-extension sliding shelves for safe removal of hot dishes

DIMENSIONS

Height	23 9/16 "
Width	23 1/2 "
Depth	22 1/4 "



FEATURES & BENEFITS

Generous Capacity

With a generous sized internal cavity, you can create several dishes at once using multiple shelves.

Perfect Results

Our built-in ovens feature ActiveVent technology for optimized moisture levels, and AeroTech™ for even heat distribution. Get perfect results even when you're using multiple shelves.

Multi-Function Flexibility

Nine functions including Aero™ Pastry, Roast and Aero™ Bake mean no matter what you're cooking, you've got the right heat to match.

Seamless Fit

Designed to fit seamlessly in your kitchen, this built-in oven fits flush with cabinetry to minimize gaps and add to a cohesive aesthetic.

Cleaning Is Simple

The self-clean function breaks down food residue at a very high temperature, leaving a light ash that's easily removed with a damp cloth.

The Beauty Of Choice

With the choice of stylish stainless steel or elegant black, you can choose the finish that complements your kitchen design best.

Safe And Sound

The CoolTouch door features triple glazing and a cooling system that ensures it's safe to touch from the outside - protecting both your hands and the surrounding cabinetry.

SPECIFICATIONS

Accessories (included)

Grill pan	1
Step down wire shelf	1
Wired temperature sensor	1

Accessories (sold separately)

Optional Accessory round handle	Part 81671
Optional round handle	Part 81645

- Electronic oven control
- Intuitive touchscreen display
- Soft close doors

Supply frequency	60 Hz
Supply voltage	208-240 V

Capacity

Shelf positions	6
Total capacity	3 cu ft
Usable capacity	2.5 cu ft

Functions

- Aero Broil
- Aero Pastry
- Aero™ Bake
- Bake
- Broil
- Maxi Broil
- Number of functions **9**
- Pyrolytic self-clean
- Rapid proof
- Roast
- True Aero
- Vent bake
- Warm

Product dimensions

Depth	22 1/4 "
Height	23 9/16 "
Width	23 1/2 "

Cleaning

- Acid resistant graphite enamel
- Pyrolytic self-clean
- Removable oven door
- Removable oven door inner glass
- Removable shelf runners

Safety

- Balanced oven door
- Catalytic venting system
- Control panel key lock
- Non-tip shelves

Consumption

Energy usage	219kWh/year
In-use energy carbon emissions estimate	27.0kgCO2e/year

Performance

- ActiveVent™ system
- AeroTech™ technology
- Automatic rapid pre-heat
- Broil power **3200 W**
- Whisper Quiet Cooking

SKU **82257**

The product dimensions and specifications in this page apply to the specific product and model. Under our policy of continuous improvement, these dimensions and specifications may change at any time. You should therefore check with Fisher & Paykel's Customer Care Centre to ensure this page correctly describes the model currently available. © Fisher & Paykel Appliances Ltd 2020

Controls

- Audio feedback
- Automatic cooking/minute timer
- Automatic pre-set temperatures
- Celsius/Fahrenheit temperature
- Electronic capacitive touch controls
- Electronic clock

Power requirements

Amperage **16.6-19.4 A**

Other product downloads available at fisherpaykel.com

- [↓ 2D-DWG Oven](#)
- [↓ 2D-DXF Oven](#)
- [↓ Data Sheet Oven](#)
- [↓ Service & Warranty](#)

- [↓](#) Installation Guide EN / Guide d'installation FR
- [↓](#) Guide d'utilisation FR
- [↓](#) User Guide EN
- [↓](#) User Guide

Where applicable:

All appliances use energy, and energy usage typically generates carbon emissions. **Fisher & Paykel Appliances' In-use Energy Carbon Emissions Estimate** indicates carbon emissions from a product's in-use energy. This is calculated either annually or per cycle, using the product's market-specific energy label energy consumption data multiplied by the carbon emissions factor for energy in your country or region.

Our In-use Energy Carbon Emissions Estimate is designed to assist customers in making informed purchasing decisions when comparing different Fisher & Paykel products. For example, a heat pump dryer typically has a lower In-use Energy Carbon Emissions Estimate than a vented dryer.



A PEACE OF MIND SALE
24 Hours 7 Days a Week Customer Support
T 1.888.936.7872 W www.fisherpaykel.com