

**FISHER & PAYKEL**

**VENTED CLOTHES DRYER**

---

DE7060M, DE6060M,  
DE5060M, DE5060MU & DE4560M models

**INSTALLATION GUIDE / USER GUIDE**

**NZ AU SG**



# CONTENTS

---

Introduction	2
Safety and warnings	3
Installation instructions	7
Control panel	15
Drying cycles	19
Sorting and loading	23
Getting started quickly	25
Customising drying cycle	26
Caring for your dryer	28
Before you call for service	29
Fault codes	30
Troubleshooting	31
Manufacturer's warranty	34
Customer care	36

---

## **IMPORTANT!**

### **SAVE THESE INSTRUCTIONS**

The models shown in this User guide may not be available in all markets and are subject to change at any time. For current details about model and specification availability in your country, go to our website [fisherpaykel.com](http://fisherpaykel.com) or contact your local Fisher & Paykel dealer.

## **Registration**

Register your product with us so we can provide you with the best service possible.

To register your product visit our website: [fisherpaykel.com](http://fisherpaykel.com)

# INTRODUCTION

---

## Welcome to your Fisher & Paykel vented dryer

Thank you for purchasing a Fisher & Paykel clothes dryer. We are proud of this dryer and trust it will serve you well for many years.

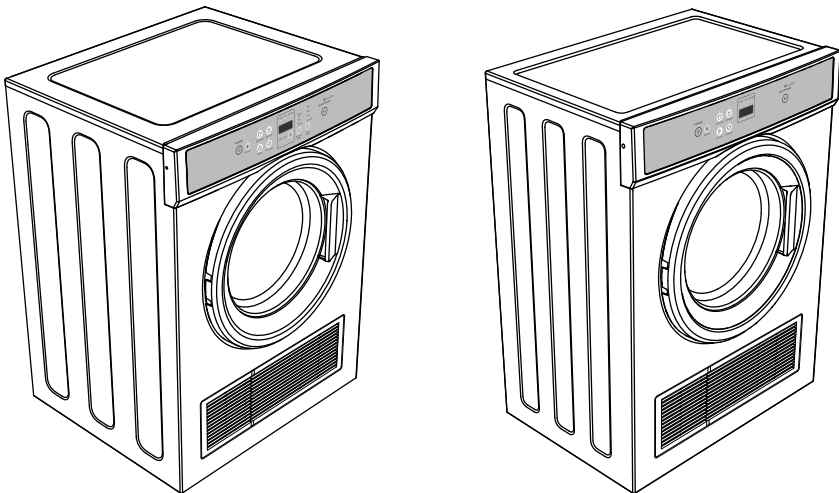
At Fisher & Paykel we aim to provide innovative products that are simple to use, ergonomic, energy efficient and kind to the environment. Thousands of tonnes of laundry and 80 years of laundry experience have been programmed into your dryer to help give you the best possible performance.

Your new dryer gives you the convenience of tumble drying and your clothes the advantage of not being subjected to the harsh overdrying effects of the sun. Your clothes will feel softer, retain their shape better and require less ironing. This dryer has been specifically designed to complement our front loading and top loading Fisher & Paykel washers.

All of our dryers have the ability to automatically sense when your clothes are dry, meaning your dryer is more efficient, making it kinder on your wallet and the environment.

Please take the time to read these instructions carefully before you begin using your dryer. Following the advice in this user guide will ensure you get the performance you expect from your dryer and that you get the best possible results. Keep these instructions for future reference and pass them on with your dryer, if it changes hands.

We hope you enjoy your new dryer. We have certainly enjoyed designing it for you.



Vented clothes dryer

## SAFETY AND WARNINGS

### Meaning of symbols on the dryer



Warning: Risk of fire/Flammable materials



Read the instructions

### **WARNING!**



#### Fire Hazard

- Only dry fabrics that have been washed with water.
- Do not use heat to dry articles containing foam rubber or similarly textured rubber-like materials, dry on 'Air Dry'.
- Never stop a tumble clothes dryer before the end of the drying cycle unless all items are removed and spread out in order to dissipate the heat.
- A clothes dryer produces combustible lint; the lint filter must be cleaned before each drying cycle.
- Failure to follow the warnings outlined in these user instructions can cause a fire hazard.
- Failure to follow these instructions can result in death or personal injury.

## IMPORTANT SAFETY INSTRUCTIONS

### **WARNING!**

- The appliance must not be supplied through an external switching device, such as a timer, or connected to a circuit that is regularly switched on and off by a utility.
- We do not recommend the use of extension cords or portable electrical outlet devices for safety reasons.
- Do not touch or operate the machine with wet hands or with bare-feet.
- A damaged power cord must be replaced by a Fisher & Paykel trained and supported service technician, its service agent or similarly qualified persons in order to avoid a hazard. The appliance must not be operated until it is repaired, as there is risk of electric shock.
- Do not operate this machine if it has been damaged during transport. Contact your Fisher & Paykel dealer or Fisher & Paykel trained and supported service technician.

## SAFETY AND WARNINGS

---

When using this appliance always exercise basic safety precautions including the following:

### Dryer use

- This dryer has been designed for domestic use only, not for commercial applications, such as massage/beauty clinics where there may be increased lint accumulation or flammable materials in the atmosphere or load.
- The tumble dryer is intended only for drying textile material washed in water.
- Undergarments that contain metal reinforcements should not be placed in the dryer. Damage to the dryer can result if the metal reinforcements come loose during drying. If you wish to dry these items use a drying rack or place in a garment bag.
- Check and remove all objects from pockets, eg lighters and matches.
- Never dry rubber articles, or any plastic items or film, eg plastic lined tablecloths and baby bibs.
- Clothes should go through the cool down/airing phase in the final part of the cycle. This ensures items are left at a temperature where they will not be damaged. If for any reason the dryer is stopped before the cycle has finished, dry clothes should be removed immediately and not left in the dryer. Clothes should be quickly spread out flat to cool so heat can dissipate, not left bunched up, eg in a clothes basket. Do not operate this product without the lint filter in place or allow lint to accumulate in or around the dryer.
- This dryer is not intended for use by persons (including children) with reduced physical, sensory or mental capabilities, or lack of experience and knowledge, unless given supervision or instruction concerning the use of the dryer by a person responsible for their safety.
- Children should be supervised to ensure they do not play with the dryer.
- Unplug the machine from the power supply when it is not in use.
- Do not swing on or put weight on the door.
- Your dryer is designed to stop operating in the event of power outage. When power is resumed, the machine will remain off until the 'Power' button is pressed. To restart the dryer, press 'Power', select your drying cycle and touch ►||.
- Never attempt to repair the dryer yourself.
- The only user-removable parts of the dryer are the lint filter, drying rack and reversible console. No other parts are designed to be removed by anyone other than a Fisher & Paykel trained and supported service technician.
- For problems that cannot be solved from information in this User Guide, turn off and unplug your dryer and contact a Fisher & Paykel trained and supported service technician.
- Do not overload your dryer beyond its rated capacity:

Model	Maximum capacity
DE4560M	4.5Kg
DE5060M & DE5060MU	5Kg
DE6060M	6Kg
DE7060M	7Kg

- Never put dripping wet clothes in or on top of the dryer as excess water may cause an electrical hazard.
- Do not under any circumstances dry an electric blanket or any other electrical, plastic or rubber items in your dryer, unless the care label specifically states it is safe to do so. Never dry these items at high temperatures.

## SAFETY AND WARNINGS

---

- **Do not dry curtains in your dryer. Sunlight makes them brittle and they may disintegrate during drying.**

### **Lint**

- **Accumulated lint in the dryer can become a fire hazard; it also reduces the efficiency of the dryer by causing longer drying times and increased power consumption.**
- **Clean the lint filter before every load.**
- **Ensure the area around the dryer is clear of lint.**
- **At regular intervals have the interior of the dryer cleaned of any accumulated lint. This must be done by a Fisher & Paykel trained and supported service technician. This must be done when the dryer installation is changed from free standing.**
- **The dryer exhaust ducting should be inspected and cleaned periodically to remove accumulated lint.**
- **If the lint filter becomes damaged, contact your Fisher & Paykel trained and supported service technician to arrange getting a new filter. Do not operate your dryer with a damaged lint filter or without the filter in place, as this will cause damage to your dryer.**

### **Installation**

- **The dryer must be installed in a well-ventilated, dust-free environment.**
- **The dryer must not be installed on any textured floor coverings (eg carpet, rugs) to ensure that openings at the base of the machine are not obstructed.**
- **Do not install the dryer behind a lockable door, sliding door, or behind a door where the hinge is on the opposite side to that of the dryer in such a way that the full opening of the door is inhibited. Ensure the dryer door can always be opened fully.**
- **Please refer to INSTALLATION INSTRUCTION section of this document for detailed installation steps.**

## SAFETY AND WARNINGS

---

### Spontaneous combustion

#### **IMPORTANT!**

To reduce the risk of fire in a tumble dryer the following should be observed:

- Items that have been spotted or soaked with vegetable oil or cooking oil are a fire hazard and should not be placed in a tumble dryer.
- Oil-affected items can ignite spontaneously, especially when exposed to heat sources such as a tumble dryer. The items become warm causing an oxidation reaction in the oil. This oxidation creates heat. If the heat cannot escape the items can become hot enough to catch fire. Piling, stacking or storing oil-affected items can prevent heat from escaping creating a fire hazard.
- If it is unavoidable that fabrics that contain vegetable oil, cooking oil or have been contaminated by hair care products be placed in a tumble dryer, they should first be washed in hot water with extra detergent — this will reduce, but not eliminate the fire hazard. The cool down cycle of the dryer should be used to reduce the temperature of these items. They should not be removed from the tumble dryer and piled or stacked while hot.
- Items that have previously been cleaned in, washed in, soaked in or spotted with flammable liquids or solids, eg petrol/gasoline, kerosene, dry cleaning solvents, vegetable or cooking oil, acetone, denatured alcohol, some brands of spot removers, turpentine, waxes and wax removers or other flammable or explosive substances should not be placed in a tumble dryer.
- Do not dry unwashed items in the tumble dryer.
- The dryer is not to be used if industrial chemicals have been used for cleaning.
- Fabric Softeners or similar products should not be used in a tumble dryer to eliminate the effects of static electricity, unless this practice is specifically recommended by the manufacturer of the fabric softener product.
- Rubber backed articles, foam rubber (latex foam), clothes or pillows fitted with foam rubber pads, fibreglass, shoes containing rubber, shower caps, babies waterproof napkin covers and waterproof textiles should not be dried in the dryer. These materials can when heated produce fire by spontaneous combustion.
- When choosing to tumble dry a duvet/doona use low-medium heat only and make sure the drum is not overloaded due to the risk of overheating and scorching.
- Exhaust air must not be discharged into a flue which is used for exhausting fumes from appliances burning gas or other fuels.

### Disposal

Extreme care must be taken when disposing of your old appliance to avoid hazards.

- When disposing of the dryer, it is recommended that the door is removed to avoid children getting trapped inside, and that the electrical cable is cut off close to the dryer.



# INSTALLATION INSTRUCTIONS

**Read and follow the 'Safety and warnings' and 'Installation instructions' sections carefully before using your dryer!**

## Accessories

Please check you received the following accessories with your Fisher & Paykel dryer. You will find them inside the drum:

- 1 x Installation guide/User guide
- 1 x Inverted panel
- 1 x Duct adapter
- 1 x Wall mounting kit

## Unpacking

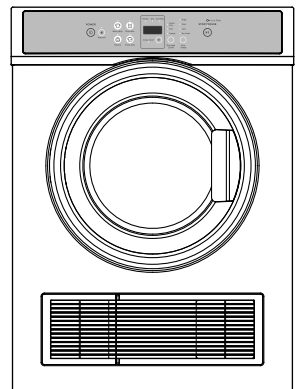
To ensure the best performance from your new dryer please follow the instructions below.

### Remove all packaging before use

- ① Remove the outer packaging (including the polystyrene packer and plastic wrapping).
- **Ensure packaging materials are kept out of reach of children.**
- **Help protect the environment and dispose of the packaging from around the dryer in an environmentally friendly manner.**
- ② Tilt the dryer backwards and 'walk' it off the base one foot at a time. Not doing so may cause damage to your floor and dryer.
- ③ Remove all packaging and accessories from inside the drum and ensure you remove protective covers from the door and console.

## Location

- **The dryer must be installed in a well-ventilated, dust-free environment.**
- **The dryer must not be installed on any textured floor coverings (eg carpet, rugs).**
- **Do not install the dryer behind a lockable door, sliding door, or behind a door where the hinge is on the opposite side to that of the dryer in such a way that the full opening of the door is inhibited. Ensure the dryer door can always be opened fully.**



# INSTALLATION INSTRUCTIONS

- Venting
- Correct installation is very important for all dryers to ensure maximum efficiency and safety.
- 
- **Never run the dryer unless the airflow system is free from obstruction.**
- There must be adequate ventilation to avoid the back flow of gases into the room from appliances burning fuels, including open fires, when operating the dryer.
- Exhaust air must not be discharged into a flue which is used for exhausting fumes from appliances burning gas or other fuels.
- External venting
- Your dryer has been designed to be vented outside to provide the following advantages:
  - Ensures optimum efficiency by preventing recirculation of moist air.
  - Eliminates condensation on walls and ceilings.
  - Reduces the chance of lint being sucked into the dryer.
  - Prevents lint and other fine particles being blown into the room.
- All external venting systems must be:
  - Made from 100mm diameter flexible foil sleeved with a galvanised metal pipe where the vent system goes through the wall, or 100mm diameter galvanised metal piping.
  - Exhausted outside and not into another confined space, eg the roof cavity of a house.
  - Fitted with a vent cap outside to stop rain water entering the dryer exhaust system.
  - Angled to avoid condensation running back into the dryer.
  - The vent system should be a maximum of two metres with no more than three 90° bends.
  - Vent systems over two metres long require special installation.  
Contact a Fisher & Paykel trained and supported service technician.
- Internal venting
- The dryer is set up in the factory for front venting. If front venting is used there must be adequate ventilation to avoid the build up of moisture in the room, which can affect the performance of the dryer. Venting must comply with local by-laws and regulations.

# INSTALLATION INSTRUCTIONS

## Installation options

There are two different ways your dryer can be positioned. Freestanding or inverted and mounted on a wall.

### Freestanding

The dryer stands on the floor and can easily be moved into position.

- ① Move the dryer into the desired position. Do not lift the dryer by the top panel.
- ② Have a minimum clearance on all sides of at least 20mm.
- ③ Have a minimum clearance at the rear of 75mm.  
The spacers from the accessory wall mounting kit can be used to set this distance.
- ④ Install the dryer on a stable and level floor.

### Freestanding venting options

Note: the vent system should be less than two metres long with no more than three 90° bends.

Before a rear venting option is installed the dryer must be changed from the front venting factory setup. Remove the outlet grille from the front left-hand side and replace with the outlet cover from the rear left-hand side. These covers should be gently pried at the sides to prevent damage.

#### External venting

The dryer is vented with a kit that can be positioned to remove air to the side.

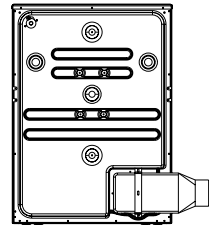
The dryer is vented directly through the wall using a ducting kit in combination with the duct adaptor supplied with the dryer.

The dryer is vented through a window using a ducting kit in combination with the duct adaptor supplied with the dryer. This requires the dryer to be a minimum distance of 140mm from the wall to ensure the ducting is not restricted with tight bends or can be crushed.

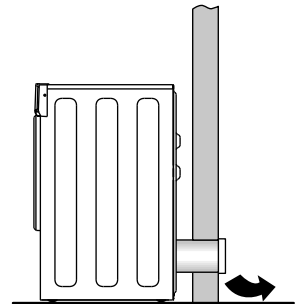
#### Internal venting

Front venting is the only recommended option for venting into the room. The dryer is set up for front venting when it leaves the factory.

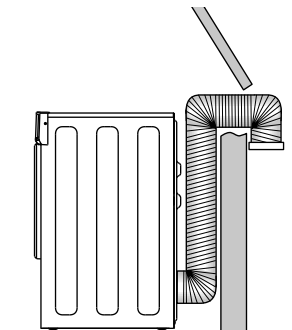
Note: where possible all efforts should be made to vent the dryer externally to avoid moisture build up around the dryer.



External venting with kit part number PD-DK4W



External venting with kit part number PD-SVHCW4



External venting with kit part number PD-F0408

# INSTALLATION INSTRUCTIONS

## **Inverted wall mounting installation**

Your dryer has been designed to be inverted and mounted on the wall above a washer or tub. A wall mounting kit must be used. Inverting allows access to the dryer control panel.

### **Tools and parts required:**

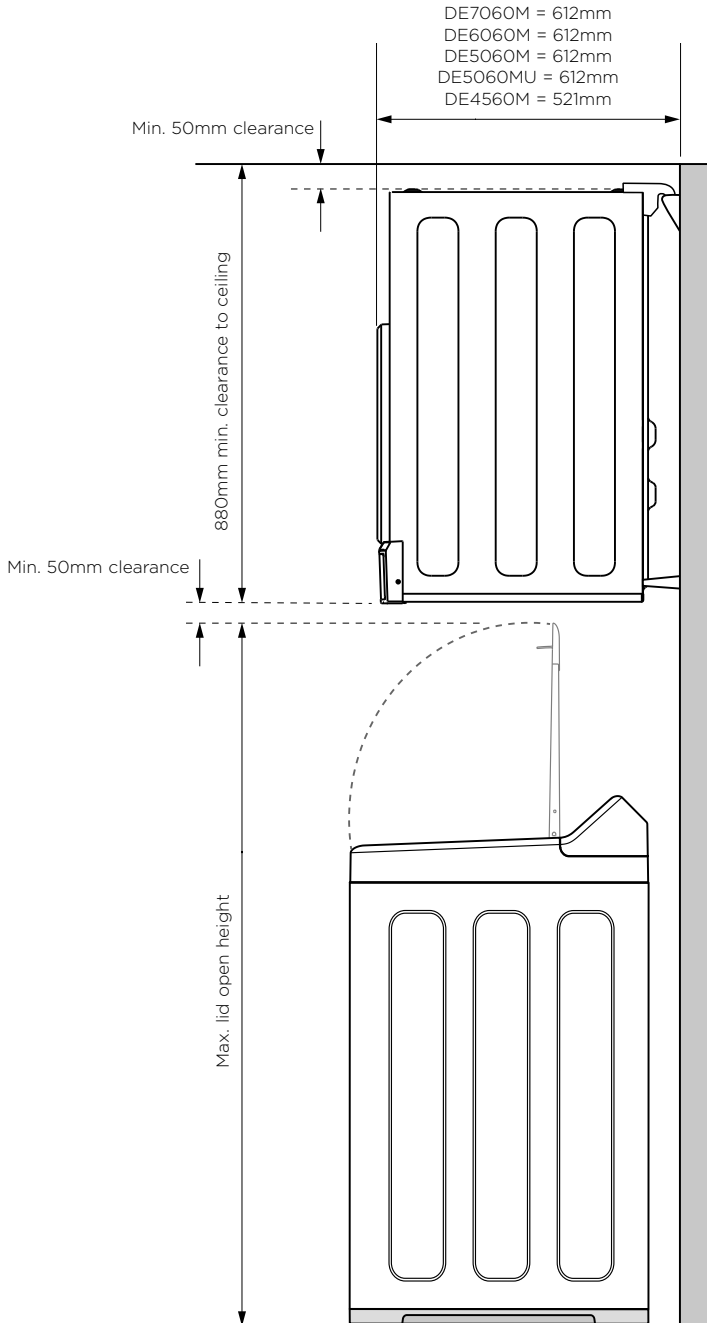
- Drill and 3mm bit
- Cross-head screwdriver.

### **Wall mounting kit includes:**

- 2 x Plastic spacers
- 2 x Wall hanging brackets
- 2 x Hanging hook
- 4 x Wood screws
- 6 x Screws for hanging hooks and plastic spacers.





# INSTALLATION INSTRUCTIONS

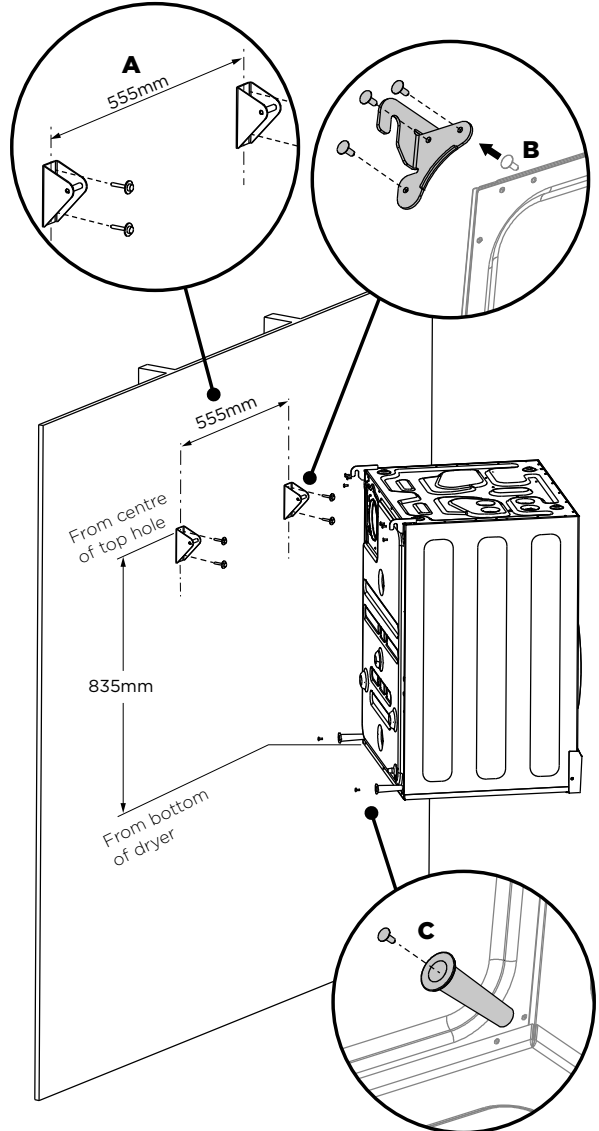
## Inverted wall mounting



# INSTALLATION INSTRUCTIONS

## Wall mounting

- ① Determine the position of the dryer on the wall and mark the bracket position. A minimum of 50mm is needed between the top of the dryer and the ceiling for ease of installation. If mounting above a washing machine, allow sufficient room to open the lid of the washer. Refer to page 11 for lid clearances.
- ② Fix the wall hanging brackets to the wall securely, ie into the stud. If the studs are too far apart, fit a timber slat to the studs and then mount the brackets to the slat. If a slat is used, install a second slat behind the spacers to ensure the dryer is horizontal. The distance between the centre of each bracket is 555mm (A).
- ③ To install the hooks onto the dryer, remove one screw from each side (B), reuse these screws with two more (each side) from the kit to fasten the hooks in place.
- ④ Remove plastic plugs from the back of the dryer and screw the spacers provided in place (C).
- ⑤ With assistance, mount the dryer on the wall brackets.
- ⑥ Fit inverted control panel over the existing panel.
- ⑦ Adjust the display to read correctly on an inverted panel:
  - For DE7060M, DE6060M and DE5060M press  and  for three seconds.
  - For DE4560M press  and  for three seconds.
  - The dryer will beep to indicate you have made a correct selection, and the display will change after three seconds.
  - Repeat the same steps to return the panel to the factory setting.



# INSTALLATION INSTRUCTIONS

Before a rear venting option is installed the dryer must be changed from the front venting factory setup. Remove the outlet grille from the front left-hand side and replace with the outlet cover from the rear left-hand side. These covers should be gently pried at the sides to prevent damage.

## External venting options

- Kits are available that allow the dryer to be vented upwards or to the side.
- The dryer can be vented directly through the wall with a kit, in combination with the duct adaptor supplied with the dryer.

Note: the vent system should be less than two metres long with no more than three 90° bends.

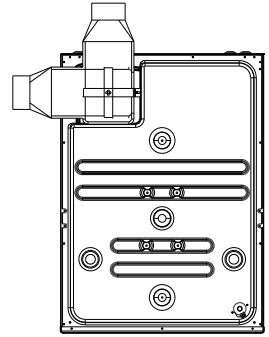
## Internal venting

Front venting is the only option for internal venting. The dryer is set up for front venting when it leaves the factory.

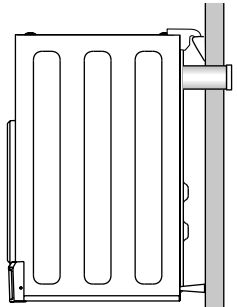
Note: where possible all efforts should be made to vent the dryer externally to avoid moisture build up around the dryer.

## Electrical connection

- ① This appliance must be connected to a 220V - 240V, 50Hz, sinusoidal, 10A electrical supply.
  - ② Uncoil the power cord, remove and discard the plastic pin cover and plug into a power socket.
  - ③ Connect the appliance to an earthed outlet protected by a fuse of suitable capacity.
- Check the power cord for damage and make sure it is not squashed or twisted when installing the dryer.
  - Always remove the power cord from the power socket by the plug, not by the cord.



External venting with kit part number PD-DK4W



External venting with kit part number PD-SVHCW4

# INSTALLATION INSTRUCTIONS

## Completing the installation

### Installation test cycle

**Ensure the installation test cycle is completed before you dry any items in your dryer. This checks your dryer is installed correctly and functioning properly prior to use.**

- ① Turn your dryer on by pressing 'POWER' ① .
- ② Select the 'Time Dry' cycle for 30 minutes. Ensure the drum is empty and the door is closed (you will hear it click shut).
- ③ Press ►II, the drum will start rotating.
  - Observe the dryer for any problems.
  - The dryer will beep and display any faults on the screen if there are any problems. Refer to 'Fault codes'.
- ④ At the completion of the cycle open the door and check that there is warmth inside the dryer. This indicates the dryer is operating normally.

**If there are any problems, you must address these before proceeding with normal use. The dryer will automatically turn off at the end of the cycle if there are no problems.**

**Before you start, it is a good idea to go through the following checklist:**

- ① Has the packaging been removed?
- ② Is the lint filter correctly in place?
- ③ Has the power cord been connected to an appropriate power supply and the power turned on?
- ④ Have you performed the installation test cycle?

### Product specifications

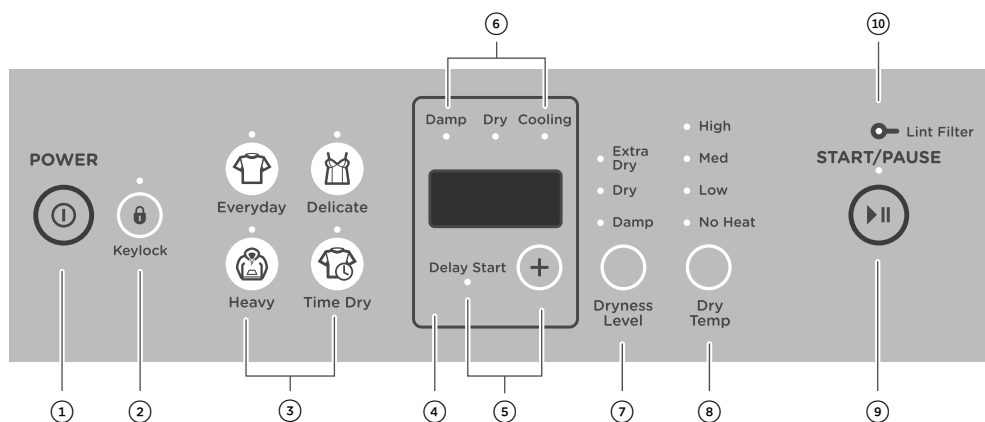
	DE4560M	DE5060M DE5060MU	DE6060M	DE7060M
Capacity (kg)*	4.5	5	6	7
<b>DIMENSIONS (mm)</b>				
Width	600	600	600	600
Depth	481	571	571	571
Height	825	825	825	825
<b>ELECTRICAL</b>				
Volts	220 - 240	220 - 240	220 - 240	220 - 240
Hz	50	50	50	50
Amps (maximum)	10	10	10	10
Rated Power (W)	1750	1750	1750	1770

\* Capacity refers to the maximum **dry** weight of items the dryer can dry at any one time.  
Rated capacity is determined by a countries performance standards, so similar dryers may have different capacities for different markets.



# CONTROL PANEL

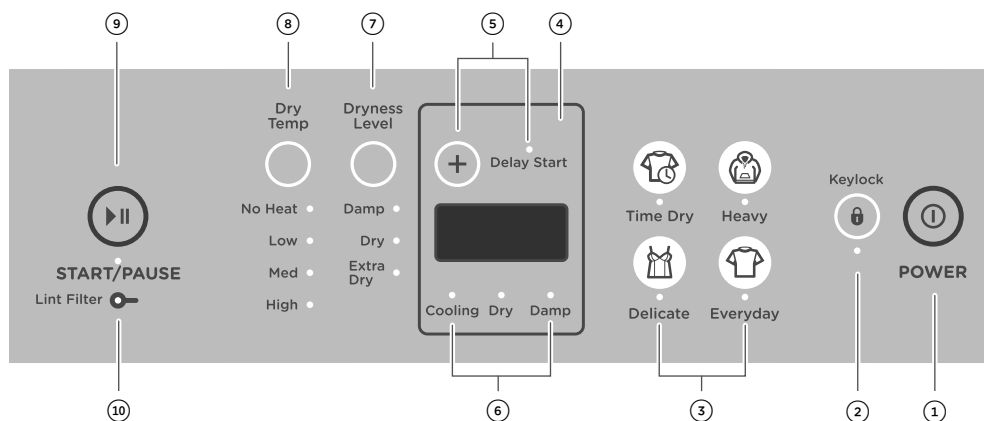
## DE7060M, DE6060M and DE5060M models



- |                                 |   |
|---------------------------------|---|
| ① <b>POWER</b>                  | Press to turn the dryer on/off.   |
| ② <b>Keylock</b>                | Press for two seconds to disable all buttons on the display panel, except 'POWER' ①. This prevents accidental button presses.   |
| ③ <b>Drying cycles</b>          | Select your desired drying cycle. <ul style="list-style-type: none"> <li>• Red LED illuminates to indicate the selected drying cycle.</li> </ul>  |
| ④ <b>Digital display screen</b> | Shows the following: <ul style="list-style-type: none"> <li>• Delayed start time of the drying cycle.</li> <li>• Notifications if an error is detected or a warning is necessary.</li> </ul>  |
| ⑤ <b>Delay Start</b>            | Press to increase the delay start time for drying cycles.<br>Note: Delay start is not available for time dry cycles.  |
| ⑥ <b>Progress lights</b>        | The progress lights indicate what stage of the cycle the dryer is currently at ('Damp', 'Dry' or 'Cooling'). All three lights are on at the beginning of the cycle. The light for the current stage of the cycle flashes, and each one goes out when that stage of the cycle is complete. |
| ⑦ <b>Dryness Level</b>          | Allows you to select the level of dryness for your load.  |
| ⑧ <b>Dry Temp</b>               | Allows you to select the drying temperature for your cycle.   |
| ⑨ <b>START/PAUSE</b>            | Press to start or pause the selected drying cycle.  |
| ⑩ <b>Lint Filter</b>            | The lint filter light will flash when the machine is switched on as a reminder to clear the lint filter before each cycle.  |

# CONTROL PANEL

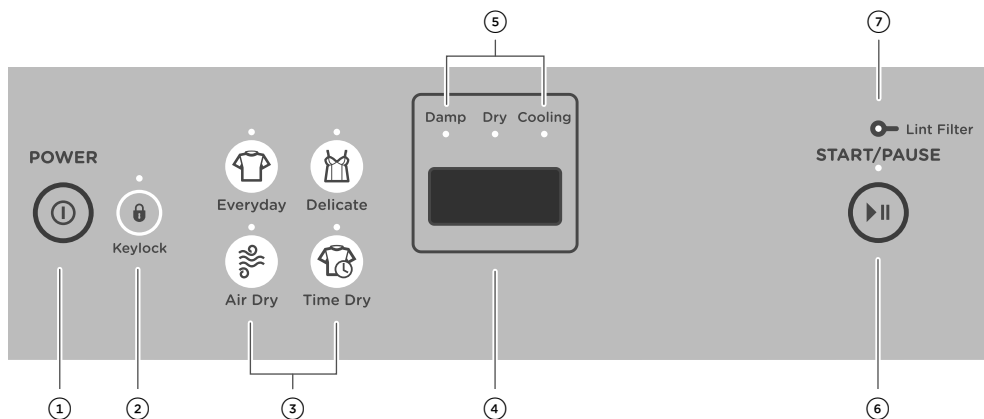
## DE5060MU model



- |                                 |   |
|---------------------------------|---|
| ① <b>POWER</b>                  | Press to turn the dryer on/off.   |
| ② <b>Keylock</b>                | Press for two seconds to disable all buttons on the display panel, except 'POWER' ①. This prevents accidental button presses.   |
| ③ <b>Drying cycles</b>          | Select your desired drying cycle. <ul style="list-style-type: none"> <li>• Red LED illuminates to indicate the selected drying cycle.</li> </ul>  |
| ④ <b>Digital display screen</b> | Shows the following: <ul style="list-style-type: none"> <li>• Delayed start time of the drying cycle.</li> <li>• Notifications if an error is detected or a warning is necessary.</li> </ul>  |
| ⑤ <b>Delay Start</b>            | Press to increase the delay start time for drying cycles.<br>Note: Delay start is not available for time dry cycles.  |
| ⑥ <b>Progress lights</b>        | The progress lights indicate what stage of the cycle the dryer is currently at ('Damp', 'Dry' or 'Cooling'). All three lights are on at the beginning of the cycle. The light for the current stage of the cycle flashes, and each one goes out when that stage of the cycle is complete. |
| ⑦ <b>Dryness Level</b>          | Allows you to select the level of dryness for your load.  |
| ⑧ <b>Dry Temp</b>               | Allows you to select the drying temperature for your cycle.   |
| ⑨ <b>START/PAUSE</b>            | Press to start or pause the selected drying cycle.  |
| ⑩ <b>Lint Filter</b>            | The lint filter light will flash when the machine is switched on as a reminder to clear the lint filter before each cycle.  |

# CONTROL PANEL

## DE4560M model



- 
- |                                 |   |
|---------------------------------|---|
| ① <b>POWER</b>                  | Press to turn the dryer on/off.   |
| ② <b>Keylock</b>                | Press for two seconds to disable all buttons on the display panel, except 'POWER' ①. This prevents accidental button presses.   |
| ③ <b>Drying cycles</b>          | Select your desired drying cycle. <ul style="list-style-type: none"><li>• Red LED illuminates to indicate the selected drying cycle.</li></ul>  |
| ④ <b>Digital display screen</b> | Shows the following: <ul style="list-style-type: none"><li>• Notifications if an error is detected or a warning is necessary.</li></ul>   |
| ⑤ <b>Progress lights</b>        | The progress lights indicate what stage of the cycle the dryer is currently at ('Damp', 'Dry' or 'Cooling'). All three lights are on at the beginning of the cycle. The light for the current stage of the cycle flashes, and each one goes out when that stage of the cycle is complete. |
| ⑥ <b>START/PAUSE</b>            | Press to start or pause the selected drying cycle.  |
| ⑦ <b>Lint Filter</b>            | The lint filter light will flash when the machine is switched on as a reminder to clear the lint filter before each cycle.  |
-

# CONTROL PANEL

## Timed programmes (Time Dry)

When a timed cycle is selected the machine dries for the selected time regardless of the level of moisture in the load. It is important to check the items throughout the timed programmes to avoid over drying.

### To adjust the length of timed cycles (DE7060M, DE6060M, DE5060M and DE5060MU):

- Press 'Time Dry'.
- Press 'Delay Start + '.

### To adjust the length of timed cycles (DE4560M):

- Press 'Time Dry' to scroll through the time selections available.

## Time to go

If you have selected one of the 'Time Dry' cycles your dryer displays approximately how many minutes the cycle has remaining.

The word *AUTO* is displayed on the screen for automatic cycles.



Time to go

## Airing/Cool down (Cooling)



When the dryer has sensed that the load is dry it will automatically go into an airing or cool down cycle.

During 'Cooling' the drum tumbles and cool air is blown through the clothes. This cools the load to reduce creasing if the clothes are left in the dryer.



Cool down mode




## Keylock

This option enables you to deactivate the buttons on the display panel, except for the 'POWER'  and . This option helps prevent accidental button presses.

### To turn Keylock ON or OFF, at any time when the dryer is powered on:

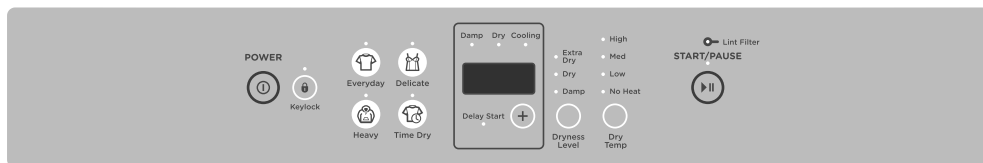
- Press  for two seconds.  
Note: When activated, the light next to the  is illuminated.

### If Keylock is activated and the dryer is powered off:

- To turn your dryer on, press 'POWER' , then press  for two seconds to turn Keylock off. Select your drying cycle, any options and then press  to start the cycle.

## DRYING CYCLES

### DE7060M model



Your dryer has a number of drying cycles to suit your laundry needs. Selecting the most appropriate cycle for each particular load will help to ensure you get the best result.

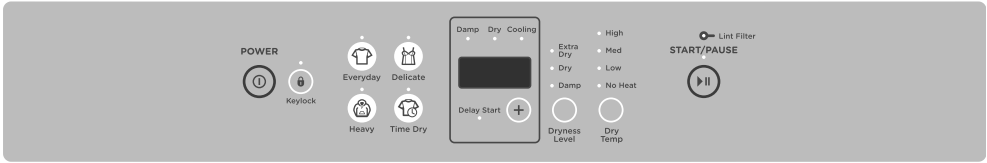
CYCLE	DESIGNED FOR	DESCRIPTION	MAX. LOAD SIZE (kg)	DEFAULT DRYNESS LEVEL*	DEFAULT DRYING TEMP
<b>Everyday**</b>	Everyday clothing, eg t-shirts, trousers.	High heat cycle for rapid drying of everyday clothing.	7	Dry	High
<b>Heavy</b>	Heavy durable garments, eg work sweatshirts/jerseys, rugby shorts, jeans, tea towels.	Longer, high heat cycle for heavier fabrics and denim.	6	Dry/ Extra Dry	High
<b>Delicate</b>	Delicate clothing items, eg synthetics and fine fabrics.	Cooler cycle for carefully drying delicate and heat sensitive fabrics.	4	Dry	Medium
<b>Time Dry</b>	Clothes that you wish to dry for a specific time period.	User selectable 30-150 minute drying time.	6	N/A	High

\* Dryness level is only an option on automatic sensing cycles. On the 'Time Dry' cycle, dryness will vary depending on the load and its initial moisture content.

\*\* 'Everyday', 'Dry', 'High' dry temp is the recommended cycle for everyday cotton items.

# DRYING CYCLES

## DE6060M and DE5060M models



Your dryer has a number of drying cycles to suit your laundry needs. Selecting the most appropriate cycle for each particular load will help to ensure you get the best result.

CYCLE	DESIGNED FOR	DESCRIPTION	MAX. LOAD SIZE (kg)*	DEFAULT DRYNESS LEVEL**	DEFAULT DRYING TEMP
<b>Everyday***</b>	Everyday clothing, eg t-shirts, trousers.	High heat cycle for rapid drying of everyday clothing.	5 or 6	Dry	High
<b>Heavy</b>	Heavy durable garments, eg work sweatshirts/jerseys, rugby shorts, jeans, tea towels.	Longer, high heat cycle for heavier fabrics and denim.	5	Dry/ Extra Dry	High
<b>Delicate</b>	Delicate clothing items, eg synthetics and fine fabrics.	Cooler cycle for carefully drying delicate and heat sensitive fabrics.	4	Dry	Medium
<b>Time Dry</b>	Clothes that you wish to dry for a specific time period.	User selectable 30–150 minute drying time.	5	N/A	High

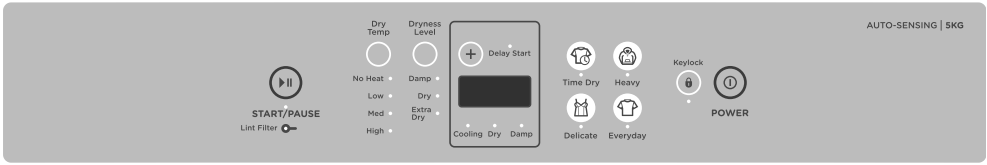
\* Depends on your model of dryer (5 or 6kg capacity).

\*\* Dryness level is only an option on automatic sensing cycles. On the 'Time Dry' cycle, dryness will vary depending on the load and its initial moisture content.

\*\*\* For DE5060M model 'Everyday', 'Dry', 'High' dry temp is the recommended cycle for everyday cotton items. For DE6060M model 'Everyday', 'Dry/Extra Dry', 'High' dry temp is the recommended cycle for everyday cotton items.

# DRYING CYCLES

## DE5060MU model



Your dryer has a number of drying cycles to suit your laundry needs. Selecting the most appropriate cycle for each particular load will help to ensure you get the best result.

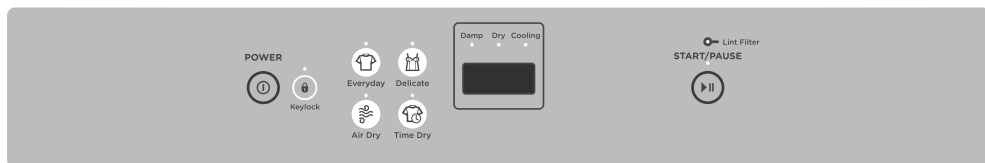
CYCLE	DESIGNED FOR	DESCRIPTION	MAX. LOAD SIZE (kg)*	DEFAULT DRYNESS LEVEL**	DEFAULT DRYING TEMP
<b>Everyday**</b>	Everyday clothing, eg t-shirts, trousers.	High heat cycle for rapid drying of everyday clothing.	5	Dry	High
<b>Heavy</b>	Heavy durable garments, eg work sweatshirts/jerseys, rugby shorts, jeans, tea towels.	Longer, high heat cycle for heavier fabrics and denim.	5	Dry/ Extra Dry	High
<b>Delicate</b>	Delicate clothing items, eg synthetics and fine fabrics.	Cooler cycle for carefully drying delicate and heat sensitive fabrics.	4	Dry	Medium
<b>Time Dry</b>	Clothes that you wish to dry for a specific time period.	User selectable 30–150 minute drying time.	5	N/A	High

\* Dryness level is only an option on automatic sensing cycles. On the 'Time Dry' cycle, dryness will vary depending on the load and its initial moisture content.

\*\* For DE5060MU model 'Everyday', 'Dry', 'High' dry temp is the recommended cycle for everyday cotton items.

## DRYING CYCLES

### DE4560M model



Your dryer has a number of drying cycles to suit your laundry needs. Selecting the most appropriate cycle for each particular load will help to ensure you get the best result.

CYCLE	DESIGNED FOR	DESCRIPTION	MAX. LOAD SIZE (kg)
<b>Everyday*</b>	Everyday clothing, eg t-shirts, trousers.	High heat cycle for rapid drying of everyday clothing.	4.5
<b>Air Dry</b>	Clothes that you wish to dry for a specific time period, without heat.	40 minute timed cycle with no heat.	2
<b>Delicate</b>	Delicate clothing items, eg synthetics and fine fabrics.	Cooler cycle for carefully drying delicate and heat sensitive fabrics.**	3
<b>Time Dry</b>	Clothes that you wish to dry for a specific time period.	User selectable 30-150 minute drying time.	4

\* 'Everyday' is the recommended cycle for everyday cotton items.

\*\* Also used for safely drying bulky items on low-medium heat.



## SORTING AND LOADING

When preparing your load there are some important things to consider:

### Sorting

- We recommend sorting your garments before placing them into the dryer. Sort into loads of similar items, and loads that will likely take similar times to dry. Heavier items (eg towels, and flannelette sheets) are best dried separately from lightweight items (eg synthetics, polyester-cotton sheets and shirts). This prevents some items becoming over-dried while others are still damp and helps extend the life of your clothing and linen.
- Fisher & Paykel recommends tumble drying bulky items such as duvets/duonas on low-medium heat only. Do not overload the drum because this can cause scorching of the item.
- Care labels provide valuable information about the fabric type and how the item should be dried. Always follow advice on care labels and only dry items in this dryer with care labels indicating tumble drying is suitable.
- Drying your clothes as soon as you remove them from the washer will decrease both wrinkles formation and dye transfer from coloured to white items.
- Separate coloured items from white/light items where possible, especially when new. Colour run may be an issue, particularly if you intend to delay the start of the drying cycle.
- We recommend that articles of clothing with screen-printing are turned inside out to prevent damage to the print. Hooks or zippers should be fastened and where possible and those items turned inside out.

<b>SPECIFIC ITEM DRYING REQUIREMENTS</b>	<b>SUGGESTED CYCLE AND OPTIONS</b>	<b>SUGGESTED TEMPERATURE</b>	<b>COMMENTS</b>
<b>Towels</b>	Everyday	High	Towels produce a lot of lint and are best dried on their own.
<b>Sheets, pillowcases, duvet/duona covers</b>	Everyday	High	Ensure duvet/duona cover openings are buttoned/domed before placing in the dryer.
<b>Bulky items — Small blankets and jackets</b>	Delicate	Medium	Only dry one bulky item at a time and place dryer balls (or tennis balls) into the dryer at the same time to ensure the bulky item moves around evenly.
<b>Delicates, fine fabrics and synthetics</b>	Delicate	Medium	You can further reduce the dryness level to damp.
<b>Jeans</b>	Heavy	High	Turn jeans inside out to help maintain their appearance. Dry separately from other items.

## SORTING AND LOADING

---

### **Before you load**

- Check pockets for items that could damage your clothes or get caught in the dryer.
- Close zippers, hooks and eyes, and other fastenings (ie fasten the openings of duvet/doona covers), and remove loose bra wires. These may damage both your dryer and your clothes.
- Check the lint filter is clean.

### **Loading**

Garments need to be loaded correctly to minimise creasing and wrinkling, and to ensure the load is dried evenly.

- Allow enough room in the dryer for clothes to tumble freely. (Hint: load the dryer in terms of the space the garments take up when dry, rather than when they are wet).
- Shake clothes out and load individually to help items dry evenly and reduce tangling.
- Only dry a sheet load up to a maximum of 4kg in the dryer at one time.
- Hang garments as soon as the drying cycle is complete to reduce the need for ironing.

### **Drying times**

- Drying very small loads is inefficient. Try to dry medium to large loads.
- Heavier items (towels, flannelette sheets) will take longer to dry than light items (synthetics and polyester cotton sheets and shirts).
- Drying times can be reduced by spinning the wash load at the highest spin speed suitable for the load type in your washing machine.
- Check bulky items during the cycle to ensure even drying, pause the dryer and reposition the item if necessary.

### **Drying duvets/doonas and other bulky items**

Depending on the size, you may need to use a commercial dryer at the laundromat. Add your bulky item to the dryer along with dryer balls (or tennis balls) to help evenly distribute the filling and cut down dryer time. Dry at low-medium temperature only, stopping regularly to check.

### **Do not leave your dryer unattended while tumbling bulky items.**

Remove the duvet/doona from the dryer every half hour or so and fluff to redistribute the filling. Return items to the dryer and continue the cycle. This will ensure that your duvet/doona dries evenly.

## GETTING STARTED QUICKLY

---

### Lint

Some items are lint givers, while others are lint collectors. Always dry lint givers and collectors separately.

LINT GIVERS	LINT COLLECTORS
Towels	Synthetics eg polar fleece
Flannelette sheets	Corduroy
	Polyester cottons

- **Check the lint filter is clean before every load. Ensure it is replaced correctly before using your dryer.**
  - **The lint filter indicator light will flash at the beginning of every cycle when the machine is switched on, as a reminder to check the lint filter.**
  - **Sort and load items into the dryer drum, ensuring no items are in the way of the door. Close the door.**
- ① Press 'POWER' **ⓘ** to activate your dryer.
  - ② Your dryer will default to the 'Everyday' cycle. Select your desired drying cycle by pressing the cycle button of your choice.
  - ③ DE7060M, DE6060M, DE5060M and DE5060MU models only. Select your preferred drying options, using the buttons on the right hand side of the panel (if you wish to select options different from the default options for the cycle).
  - ④ Press **▶||** to start the cycle.
- If you make an invalid selection the dryer will beep to alert you.
  - When the cycle finishes, your dryer will beep and then turn off automatically.
  - If you wish to change a cycle once drying has started, press **▶||** then select the new cycle. Press **▶||** to restart the dryer with the new cycle. This may affect drying performance.
- **If you wish to stop the dryer before the cycle has finished you MUST remove the clothes IMMEDIATELY and spread them out to cool. DO NOT leave the clothes in the dryer or bunched up in a clothes basket. Take extreme care as the drum and the load items may be extremely hot.**
  - **Failure to follow the advice in this guide may result in damage to your garments and your expectations of drying performance may not be met.**

## CUSTOMISING DRYING CYCLE

### Delay Start (DE7060M, DE6060M, DE5060M and DE5060MU models only)

The 'Delay Start' option enables you to delay the start of the drying cycle from between 5 minutes and 12 hours. Times you can select are 5 min, 15 min, 30 min, 1 hour, then hourly up to 12 hours. This can be useful to time your drying to finish when you arrive home from work, or to start when power rates are lower.

#### To 'Delay Start' your cycle:

- 1 Select the cycle.
- 2 Press 'Delay Start +' to cycle through the delay start times available.
- 3 Press ►|| to confirm your selection and start the countdown.
- 4 The display will indicate the time until the cycle will start.

#### To decrease or turn off 'Delay Start':

- 1 Press 'Delay Start +' to cycle through the delay start times available.

**Avoid using 'Delay Start' for damp, non-colourfast items as this may cause dye run to occur.**



### Drying cycle options (DE7060M, DE6060M, DE5060M and DE5060MU models only)

All drying cycles default to the recommended options based on the average expected load to be dried. You can vary the options ('Dryness Level', 'Dry Temp') to create your desired cycle.

#### To change the cycle or options you have selected after a cycle has started:

- Press ►|| and select your new cycle or options, then press ►|| again to resume drying.

Note: Some options may not be available for selection under certain conditions and after particular stages of the drying cycle have passed.

DESCRIPTION	OPTIONS
<p><b>Dryness Level</b></p> <p>When your dryer senses that the clothes have dried to the dryness level selected, the dryer will automatically finish the cycle.</p> <p>Note: Two lights are used to show some dryness levels, eg to achieve the 'Damp Dry' setting both the 'Dry' and the 'Damp' dry lights will be illuminated.</p>	<p>There are five dryness levels from 'Damp' through to 'Extra Dry'. If you wish to change from the default dryness, you can choose the dryness level to suit your load depending on how dry you wish your items to be.</p>  <p>• Extra Dry • Dry • Damp • Dryness Level</p>
<p><b>Dry Temp</b></p> <p>There are four drying temperatures you can choose from for your cycle.</p>	<p><b>High:</b> Clothes temperatures reach up to 80°C.</p> <p><b>Medium:</b> Clothes temperatures reach up to 70°C.</p> <p><b>Low:</b> Clothes temperatures reach up to 45°C.</p> <p><b>No heat:</b> Cool air is blown through the dryer for the period selected.</p>  <p>• High • Med • Low • No Heat • Dry Temp</p>

## CUSTOMISING DRYING CYCLE



---

### Customising dryer cycles (DE7060M, DE6060M, DE5060M and DE5060MU models only)

After using your dryer a few times you may discover there are some drying options you prefer for some cycles.



You can programme your dryer to remember the drying options you prefer for each drying cycle, eg you may want to set the 'Everyday' cycle to a lower drying temperature.

#### To customise a cycle:

- ① Press 'POWER'  to turn the dryer on.
- ② Select the cycle you wish to customise.
- ③ Press any of the drying options buttons for three seconds. The lights will flash on and off and the display will show **SEt** to indicate that the dryer is in cycle adjustment mode.
- ④ Select the drying options you prefer by pressing the relevant option button.
- ⑤ Press  for three seconds to save the selected settings. The dryer will then beep to indicate your customised cycle has been saved.

#### Reset Defaults

**You can reset your dryer to the default settings it left the factory with:**

- ① Press  and  together for three seconds.
- ② Your dryer will now be reset to the default settings.

# CARING FOR YOUR DRYER

---

## When you have finished using your dryer

- Unplug the machine from the power socket.
- Wipe around the door to remove any remaining condensation and foreign matter.
- Clear the lint filter.

## Cleaning your dryer

Before you start cleaning your dryer, ensure that it is disconnected from the power (ie unplug the machine from the power socket).

### Cleaning the control panel and outer surfaces of the dryer

Use a soft damp cloth to wipe all surfaces, then wipe dry. Avoid using chemical or scouring cleaners, as these will damage the paint and plastic surfaces of your dryer.

### Cleaning the inside of your dryer

It is important that you occasionally clean the inside of your dryer. If the drum has any residual dirt or lint stuck to it, remove this and wipe it clean with a damp cloth. Do not leave any metal objects in the drum, as these may cause rust.

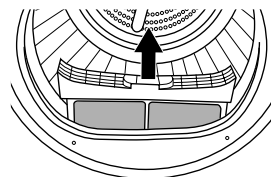
## Cleaning the filters

### Cleaning the lint filter

- Lint is generally formed during wearing and washing. Fibres (ie lint) released from the clothes during the drying cycle are collected in the lint filter.
- It is important to clean the lint filter after every load, as the lint produced in the drying process can become a fire hazard if it is allowed to accumulate in or around your dryer.
- The lint filter is located in the door opening (at the bottom).

### To clean the filter:

- ① Open the dryer door.
- ② Remove the lint filter by pulling it up and out of the filter slot. Open it out and wipe the surfaces clean with your hand.
- ③ Close the lint filter and place it back in the opening. Ensure the filter is fitted correctly back in place before operating the dryer.






Lint filter

## BEFORE YOU CALL FOR SERVICE

---

### User warnings

Your dryer is capable of diagnosing a number of its own problems. It will sound a continuous series of beeps and display a user prompt when it has a problem that you can correct yourself. To stop the beeps sounding, touch any button on the control panel. Do not try to continue your drying cycle once you stop the noise. You must address the problem the dryer is alerting you to. Check the below table before you call for service.

PROBLEM	DISPLAYED AS	WHAT TO DO
Keylock is activated	KEY LOC	Press  for two seconds to deactivate the Keylock.
The door is not closed	door OPEN	Close the door fully and press  . Try opening and closing the door again. Reposition the load, make sure the load is correctly in the drum and that protruding items are not stopping the door from closing.
Dryer has been paused	PAUS	Press  to resume the cycle.

Once you have addressed the issue the user prompt was alerting you to, try using your dryer as per usual. If the issue persists, call your Fisher & Paykel trained and supported service technician.

## FAULT CODES

---

**When a continuous series of beeps is sounded, all the lights turn off on the control panel and a number appears on the display, a fault has occurred.** The dryer will automatically enter this mode if a fault occurs. The fault code will be displayed as *E r r* followed by a number on the digital display. To stop the beeps, press any button then perform the following steps:


- ① Turn your machine off at the power socket.
- ② Wait one minute and turn it back on.
- ③ Check your machine is installed correctly (refer to 'Installation instructions' section).
- ④ Remove your load from the dryer and retry.
- ⑤ Perform a 'Time Dry' cycle, eg 'Time Dry' for 30 minutes.
- ⑥ If the fault re-occurs repeat steps ① and ②.
- ⑦ If the machine still will not work call a Fisher & Paykel trained and supported service technician to arrange service (refer to the 'Customer care' section). Record the fault code number displayed and the serial number of your dryer (located on the rear of the machine, or on the inside of the door below the glass) before calling. The fault code will indicate to the service technician what the problem could potentially be.

If a fault code is being displayed, you can still turn your dryer off by pressing 'POWER' ①.



## TROUBLESHOOTING

The following is a list of problems you may encounter when using this appliance and some suggestions that may help to correct the problem. If you still have problems, contact your Fisher & Paykel trained and supported service technician.

<b>PROBLEM</b>	<b>POSSIBLE CAUSES</b>	<b>WHAT TO DO</b>
<b>Pressing 'POWER' ① does not turn on the dryer</b>	Fault with household power supply.	Try plugging in and turning on another electrical device at the same socket.
<b>Dryer does not heat</b>	Dryer set to 'Air Dry' cycle (DE4560M model only).	Check what cycle the dryer is set to (refer 'Drying cycles'). Change to preferred cycle.
	The dryer has progressed to 'Cooling'.	Check the progress lights — is the 'Cooling' light illuminated? Refer to 'Progress lights'.
<b>Pressing ►   does not start the drying cycle</b>	Dryer door not closed properly.	Open and close the door. Check that the lint filter is correctly in place and not obstructing the door.
	Is the dryer displaying a user warning or fault code?	Refer to 'Before you call for service'.
	Lint filter needs to be emptied.	Empty the lint filter and ensure it is correctly in place.
	Dryer is overloaded.	Remove some items from the dryer.
	'Delay Start' function is set.	Refer to page 26 for more information.
	Keylock is ON.	To disable press  for two seconds.
<b>Dryer stops working mid-cycle</b>	Power failure.	Press 'POWER' ① and restart the desired cycle.
	Dryer has been paused.	Press ►   to restart the cycle.
	Dryer door is open.	Ensure the door is firmly shut.
<b>Clothes getting too hot or damaged</b>	Cycle selected not appropriate for the load.	Ensure the cycle selected is appropriate for items in the load. Refer to 'Drying cycles'.
	Items removed from dryer before the end of cycle cool down had finished.	Removing items before cool down may damage clothing if it is not spread out and exposed to air to cool once removed from the dryer.
<b>Dryer is beeping and displaying unfamiliar light patterns and/or message on the digital display</b>	Dryer has a fault.	Try turning the dryer off and waiting 30 seconds before turning it back on. Refer to 'Before you call for service'.

## TROUBLESHOOTING

PROBLEM	POSSIBLE CAUSES	WHAT TO DO
<b>Dryer is taking too long /results were not satisfactory</b>	Drying cycle selected not appropriate for the load.	Select an appropriate cycle for the load. Refer to 'Drying cycles'.
	Dryness level selected not appropriate for the load.	Select a higher dryness level. Refer to 'Dryness Level'.
	Dryer overloaded for the cycle.	Some cycles have a lower max load size. Refer to 'Drying cycles'. Try dividing the load in half and dry half at a time.
	Lint filter is blocked.	Clean the lint.
	Load overly wet at the start of cycle.	Remove more water from the load before placing it in the dryer, eg select a faster spin speed on your washer, if appropriate for your load.
	Load was damp dry at the start of cycle.	If the load had been partially air dried, eg has been washed and placed on the line, use a 'Time Dry' cycle and monitor the dryness of your clothes.
	Items got tangled.	Try separating items and drying similar items together. Refer to 'Loading' for further tips.
<b>Noises</b>	Dryer is overloaded.	Remove some items from the dryer.
	Dryer has a fault.	Dryer is beeping and displaying unfamiliar light patterns and/or message on the digital display. Refer to 'Before you call for service'.
<b>Vibration</b>	Dryer is not installed on a stable surface.	Ensure the dryer is installed on a flat, stable surface.
	Dryer is overloaded.	Remove some items from the dryer.
<b>Creasing</b>	'Dry Temp' and/or 'Dryness Level' selected too hot/too long for load type (DE7060M, DE6060M, DE5060M and DE5060MU only).	Try selecting a lower 'Dry Temp' and 'Dryness Level'
<b>Dye transfer</b>	White/light and coloured items not separated before drying.	Remember to separate white/light and coloured items before placing them in the dryer.
	Wet items left sitting in the dryer for long periods of time before drying.	Refer to 'Sorting' for tips to prevent dye transfer.

## TROUBLESHOOTING

PROBLEM	POSSIBLE CAUSES	WHAT TO DO
<b>Linting</b>	Lint filter not cleaned or replaced.	Ensure the lint filter is cleaned after every cycle and replaced correctly. Refer to 'Cleaning the filters'.
	Loads not sorted correctly.	Dry lint givers separately from lint receivers. Also, dry similar colours together eg light coloured items with light coloured items, dark items with dark items. Refer to 'Sorting and loading'.
	Clothes over dried.	Over drying clothes in the dryer can cause them to attract lint. Use an auto sensing cycle or ensure you check your load if using the time dry cycles to avoid over drying. Refer to 'Drying cycles'.
<b>Fabric damage</b>	Instructions on care label not followed.	Follow the instructions on the care label of the items.
	'Dry Temp' or 'Dryness Level' selected not appropriate for the fabric type (DE7060M, DE6060M, DE5060M and DE5060MU only).	Ensure the 'Dry Temp' and 'Dryness Level' selected is appropriate for the fabric type. Refer to the items care label. Refer to 'Drying cycles'.
	Metal parts on the items or in the load.	Fasten zips and other clasps before placing items in the dryer.
	Items not separated or dried on an appropriate cycle for the fabric type.	Dry similar items together. Ensure an appropriate cycle is selected. Refer to 'Drying cycles'.
	Used a 'Time Dry' cycle and did not monitor the dryness of clothes during the cycle.	Ensure that clothes are checked for dryness during the cycle when using the timed programmes to avoid over drying. Refer to 'Customising drying cycle'.
<b>Tangling</b>	Loads not separated during loading.	Try separating out larger items from smaller items.
	Items loaded into the dryer incorrectly.	Load items individually into the dryer. Do not place folded items in the dryer.
	Load size too large.	Try drying smaller load sizes. Some cycles have a lower maximum load size. Refer to 'Drying cycles'.
	Sheets and duvet/duona covers due to their size, are prone to tangling.	Dry sheets and duvet/duona covers separately from other laundry, apart from towels. Ensure duvet/duona covers are buttoned or fastened closed before drying. Try adding a knotted towel to sheets loads if you are experiencing a lot of tangling.

# MANUFACTURER'S WARRANTY

---

For New Zealand and Australia only. You automatically receive a 2-year Manufacturer's Warranty with the purchase of this vented clothes dryer covering parts and labour for servicing within the country of purchase.

## **Fisher & Paykel undertakes to:**

Repair or, at its option, replace without cost to the owner either for material or labour any part of the product, the serial number of which appears on the product, which is found to be defective within TWO YEARS of the date of purchase.

Note: This Manufacturer's Warranty is an extra benefit and does not affect your legal rights.

## **This Manufacturer's Warranty DOES NOT cover**

- (A) Service calls which are not related to any defect in the product. The cost of a service call will be charged if the problem is not found to be a product fault. For example:
  - ① Correcting the installation of the product.
  - ② Instructing you how to use the product.
  - ③ Replacing house fuses or correcting house wiring or plumbing.
  - ④ Correcting fault(s) caused by the user.
  - ⑤ Noise or vibration that is considered normal, eg drain/fan sounds, machine noises or user warning beeps.
  - ⑥ Correcting damage caused by pests, eg rats, cockroaches, etc.
  - ⑦ Poor drying performance due to incorrect installation and maintenance eg blocked lint filter, blocked condenser.
  - ⑧ Poor drying performance due to incorrect loading, eg overloading or underloading.
  - ⑨ Damage from articles in the drum, eg bra wires, pens, crayons, dye transfer or flammable material.
- (B) Defects caused by factors other than:
  - ① Normal domestic use; or
  - ② Use in accordance with the product's User guide.
- (C) Defects to the product caused by accident, neglect, misuse or 'act of God'.
- (D) The cost of repairs carried out other than by a Fisher & Paykel trained and supported service technician or the cost of correcting such repairs.
- (E) Normal recommended maintenance as set out in the product's User guide.
- (F) Repairs when the appliance has been dismantled, repaired or serviced by other than a Fisher & Paykel trained and supported service technician or the selling dealer.
- (G) Pick-up and delivery.
- (H) Transportation or travelling costs involved in the repair when the product is installed outside the Fisher & Paykel trained and supported service technician's normal service area.

Nothing in this Manufacturer's Warranty is intended to, or does, limit any rights you may have under law to recover the costs of inspecting or returning the goods to us.

## MANUFACTURER'S WARRANTY

---

This product has been designed for use in a normal domestic (residential) environment. This product is not designed for commercial use (whatsoever). Any commercial use by a customer will affect this product's Manufacturer's Warranty.

Service under this Manufacturer's Warranty must be provided by a Fisher & Paykel trained and supported service technician (refer to the 'Customer care' section at the back of this book). Such service shall be provided during normal business hours. This Manufacturer's Warranty certificate should be shown when making any claim.

### **For Australian Customers**

This Manufacturer's Warranty is an extra benefit and does not affect your legal rights. Our goods come with guarantees that cannot be excluded under the Australian Consumer Law. You are entitled to a replacement or refund for a major failure and for compensation for any other reasonably foreseeable loss or damage. You are also entitled to have the goods repaired or replaced if the goods fail to be of acceptable quality and the failure does not amount to a major failure.

**Please keep this User guide in a safe place.**

## CUSTOMER CARE

---

### **Before you call for service or assistance...**

Check the things you can do yourself. Go online to our website, [fisherpaykel.com](http://fisherpaykel.com), for Support and Product Help. and refer to your User guide to check:

- ① Your product is correctly installed.
- ② You are familiar with its normal operation.
- ③ You have read the 'Before you call for service', 'Fault codes' and 'Troubleshooting' sections at the back of the book.

If after checking these points you still need assistance or parts, we recommend you book a service through our website with your nearest Fisher & Paykel trained and supported service technician, or call Customer Care for assistance.

### **In New Zealand if you need assistance...\***

Visit us online or call the Fisher & Paykel Customer Care Centre and talk to one of our Customer Care Consultants.

**Toll Free:** 0800 FP CARE or 0800 372 273

**Website:** [fisherpaykel.com](http://fisherpaykel.com)

**Postal address:** Fisher & Paykel Appliances Ltd, PO Box 58550, Botany, Auckland 2163

### **If you need service...\***

Fisher & Paykel has a network of Fisher & Paykel trained and supported service technicians who can carry out any service necessary on your appliance. Visit our website or call our Customer Care Centre for a list of Fisher & Paykel trained and supported service technicians in your area.

### **In Australia if you need assistance...\***

Visit us online or call the Fisher & Paykel Customer Care Centre and talk to one of our Customer Care Consultants.

**Toll Free:** 1300 650 590

**Website:** [fisherpaykel.com](http://fisherpaykel.com)

**Postal address:** Fisher & Paykel Appliances Australia Pty Ltd, PO Box 798, Cleveland QLD 4163

### **If you need service...\***

Fisher & Paykel has a network of Fisher & Paykel trained and supported service technicians that can carry out any service necessary on your appliance. Go online to our website or call our Customer Care Centre for a list of Fisher & Paykel trained and supported service technicians in your area.

\*If you call, write or contact us via our website please provide:

Your name and address, model number, serial number, date of purchase and a complete description of the problem. This information is needed in order to better respond to your request for assistance.

**Product details can be found on the rear of the machine, and/or on the inside of the door below the glass (when the door is open).**

# CUSTOMER CARE

---

## Registration

Register your product with us so we can provide you with the best service possible.  
To register your product visit our website: [fisherpaykel.com](http://fisherpaykel.com)

Complete and keep for safe reference:

Model \_\_\_\_\_

Serial No. \_\_\_\_\_

Purchase Date \_\_\_\_\_

Purchaser \_\_\_\_\_

Dealer \_\_\_\_\_

Suburb \_\_\_\_\_

Town \_\_\_\_\_

Country \_\_\_\_\_

**FISHERPAYKEL.COM**

© Fisher & Paykel Appliances 2019. All rights reserved.

The product specifications in this document apply to the specific products and models described at the date of issue. Under our policy of continuous product improvement, these specifications may change at any time. You should therefore check with your Dealer to ensure this document correctly describes the product currently available.

**NZ AU SG**

**428118K 11.19**