

**60CM OVENS AND COMPANIONS MINIMAL**

---

# PLANNING GUIDE

---

**OVEN** | OB60SMPTDB1, OB60SMPTDG1

**STEAM OVEN** | OS60SMTDB1, OS60SMTDG1, OS60NMTDB1, OS60NMTDG1

**COMBINATION MICROWAVE OVEN** | OM60NMTDB1, OM60NMTDG1

**BUILT-IN COFFEE MAKER** | EB60MSB1, EB60MSG1

**WARMING DRAWER** | WB60SMB1-SET, WB60SMG1-SET, WB60SMTB1-SET

**VACUUM SEAL DRAWER** | VB60SMB1-SET, VB60SMG1-SET

**FISHER & PAYKEL**

This comprehensive Planning Guide provides you with the framework and tools to achieve your desired design outcome with Fisher & Paykel appliances. In this guide, you will find a range of conceptual, detailed and dimensional product information to bring your ideas to life and create spaces that truly reflect your vision.

**CONTENTS**

CONCEPT DESIGN	PAGE	DEVELOPED AND DETAILED DESIGN	PAGE	DEVELOPED AND DETAILED DESIGN	PAGE
<b>Design Choices</b>		<b>Data Sheets</b>		<b>Planning Considerations</b>	
Ovens and Companions - ALL MODELS	<b>4</b>	Oven	<b>19</b>	Cabinetry Preparation - ALL MODELS	<b>28</b>
Configurations - ALL MODELS	<b>5</b>	Combination Steam Oven	<b>20</b>	Configurations - ALL MODELS	<b>29</b>
Overview - ALL MODELS	<b>6</b>	Combination Steam Oven	<b>21</b>	Oven	<b>30</b>
		Combination Microwave Oven	<b>22</b>	Combination Steam Oven	<b>31</b>
<b>Specification Guides</b>		Built-in Coffee Maker	<b>23</b>	Combination Steam Oven	<b>32</b>
Oven	<b>8</b>	Warming Drawer, Tall	<b>24</b>	Combination Microwave Oven	<b>33</b>
Combination Steam Oven	<b>9</b>	Warming Drawer	<b>25</b>	Built-in Coffee Maker	<b>34</b>
Combination Steam Oven	<b>10</b>	Vacuum Seal Drawer	<b>26</b>	Warming Drawer, Tall	<b>35</b>
Combination Microwave Oven	<b>11</b>			Warming Drawer	<b>36</b>
Built-in Coffee Maker	<b>12</b>			Vacuum Seal Drawer	<b>37</b>
Warming Drawer, Tall	<b>13</b>				
Warming Drawer	<b>14</b>			<b>Services</b>	
Vacuum Seal Drawer	<b>15</b>			Power Cord Length and Location - COMPANIONS	<b>39</b>
Dimensions - ALL MODELS	<b>16</b>			Power Cord Length and Location - OVENS	<b>40</b>
Power, Weight and Capacity - ALL MODELS	<b>17</b>				

The models shown in this Planning Guide may not be available in all markets and are subject to change at any time. Product specifications may vary from those shown. This Planning Guide should not be used as installation guidance for any product. Further information is required to safely and correctly install the products featured here. Specific installation guidance will be available on our website [fisherpaykel.com](http://fisherpaykel.com)

## DESIGN CHOICES

OVENS

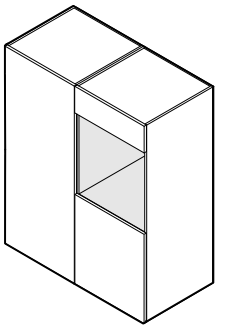
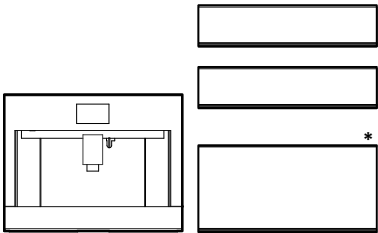
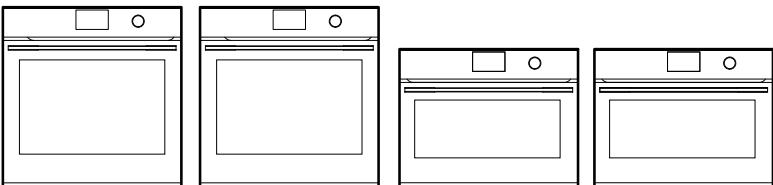
STEAM OVENS

MICROWAVES

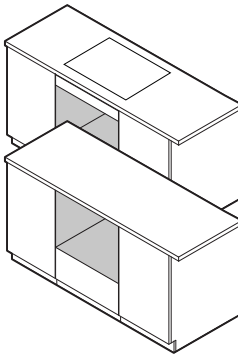
COFFEE MAKER

DRAWERS

INSTALLATION OPTIONS



Installation in wall



Installation under-bench

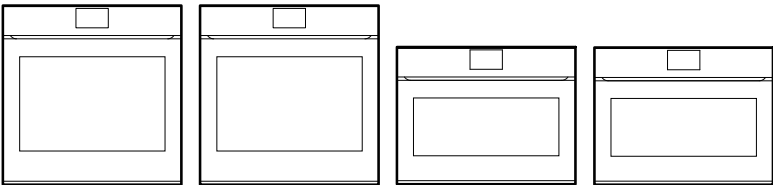
COLOUR



Grey Glass    Black Glass

DIAL AND HANDLE FAMILY

HANDLELESS FAMILY

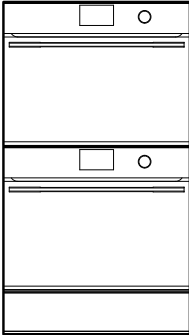


\*Note: Warming Drawer Tall only available in Black Glass finish

The models shown in this Planning Guide may not be available in all markets and are subject to change at any time. Product specifications may vary from those shown. This Planning Guide should not be used as installation guidance for any product. Further information is required to safely and correctly install the products featured here. Specific installation guidance will be available on our website fisherpaykel.com

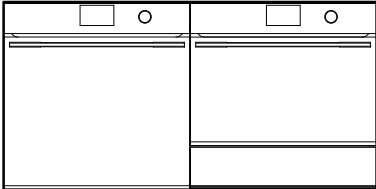
STACKED INSTALLATION

Stack Height  
1060mm



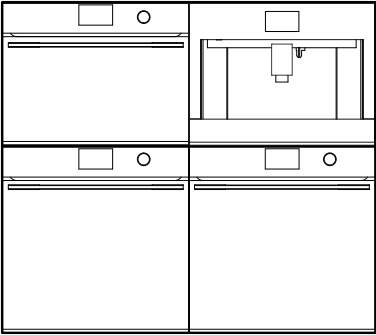
ROW INSTALLATION

Stack Height  
600mm



GRID INSTALLATION

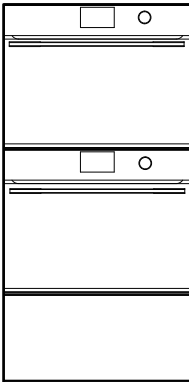
Stack Height  
1060mm



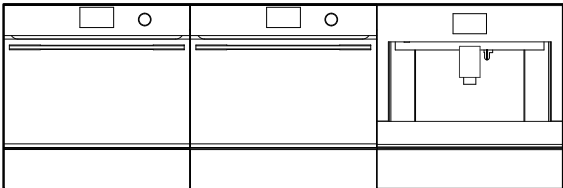
CONSIDERATIONS

Different configurations possible, considerations are height, colour, dial and handle or handleless.

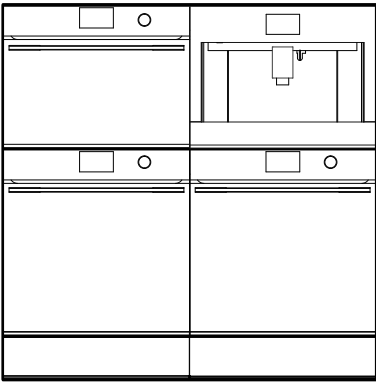
Stack Height  
1210mm



Stack Height  
600mm




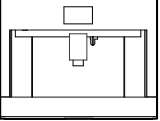
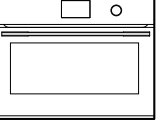
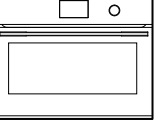
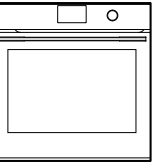
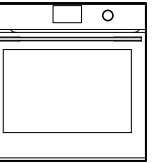
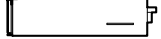


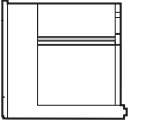

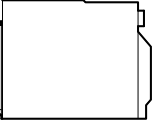
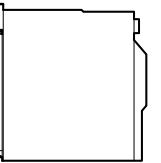
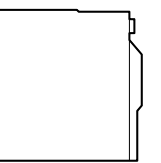
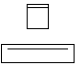
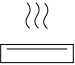
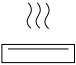
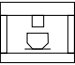
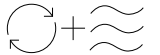
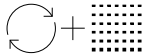
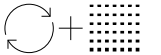



Stack Height  
1200mm



Note: Stack Height is overall product height with minimum clearances above appliance front panel to upper cabinetry front panel or appliance.

The models shown in this Planning Guide may not be available in all markets and are subject to change at any time. Product specifications may vary from those shown. This Planning Guide should not be used as installation guidance for any product. Further information is required to safely and correctly install the products featured here. Specific installation guidance will be available on our website [fisherpaykel.com](http://fisherpaykel.com)

								
FRONT ELEVATION								
SIDE ELEVATION								
								
	VACUUM SEAL DRAWER	WARMING DRAWER	WARMING DRAWER TALL	BUILT-IN COFFEE MAKER	COMBINATION MICROWAVE OVEN	COMBINATION STEAM OVEN	COMBINATION STEAM OVEN	OVEN
Series	Series 9	Series 9	Series 9	Series 9	Series 9	Series 9	Series 11	Series 9
Model Codes Black Glass	VB60SMB1-SET	WB60SMB1-SET	WB60SMTB1-SET	EB60MSB1	OM60NMTDB1	OS60NMTDB1	OS60SMTDB1	OB60SMPTDB1
Model Codes Grey Glass	VB60SMG1-SET	WB60SMG1-SET	-	EB60MSG1	OM60NMTDGI	OS60NMTDGI	OS60SMTDGI	OB60SMPTDGI
Interface	-	-	-	4.3" Touchscreen	5" Touchscreen	5" Touchscreen	5" Touchscreen	5" Touchscreen
Overall Product Heights	140mm	140mm	290mm	458mm	458mm	458mm	598mm	598mm
Front Panel Thickness	20mm	20mm	20mm	20mm	20mm	20mm	20mm	20mm

The models shown in this Planning Guide may not be available in all markets and are subject to change at any time. Product specifications may vary from those shown. This Planning Guide should not be used as installation guidance for any product. Further information is required to safely and correctly install the products featured here. Specific installation guidance will be available on our website [fisherpaykel.com](https://fisherpaykel.com)

## SPECIFICATION GUIDE



OB60SMPTDB1



OB60SMPTDG1

**OVERVIEW**

Designed to fit seamlessly into any kitchen with Minimal styling, this 60cm oven features a generous 85L total capacity. Achieve perfect results with 16 oven functions, plus a Wireless Temperature Sensor\* for monitoring cooking in real time. Beautiful to use, the large 5" touchscreen interface features simple and intuitive guided cooking, while Pyrolytic self-cleaning breaks down grime and grease, to keep the oven pristine for the next use.

\*sold separately

**PRODUCTS**

**OB60SMPTDB1** - Black Glass  
Oven, 60cm, 16 Function, Self-cleaning

**OB60SMPTDG1** - Grey Glass  
Oven, 60cm, 16 Function, Self-cleaning

**SERIES & STYLE**

Series 9  
Minimal

**FEATURES**

- ① Minimal style, designed to fit flush with cabinetry
- ② Generous 85L total capacity with six shelf positions
- ③ Intuitive, large 5" touchscreen display with illuminated dial
- ④ 16 oven functions including Air fry, Fan Bake, and Roast
- ⑤ Pyrolytic self-cleaning function breaks down food residue for an easy clean
- ⑥ Includes a Wired Temperature Sensor for real-time monitoring of cooking temperatures
- ⑦ Guided touchscreen cooking makes it simple to cook by food, function or recipe
- ⑧ Moisture control and even heat distribution thanks to ActiveVent and AeroTech™ technology
- ⑨ Automatic rapid pre-heat function for added convenience
- ⑩ Soft open and close door
- ⑪ Wi-Fi/Connected capability through the SmarthQ™ app

**ACCESSORIES**

- ① 2x Full Extension Sliding Shelf
- ② Grill Rack
- ③ Smokeless Grill Tray
- ④ Roasting Dish
- ⑤ Step Down Wire Shelf
- ⑥ Wired Temperature Sensor
- ⑦ Pyrolytic Proof Shelf Runners

The models shown in this Planning Guide may not be available in all markets and are subject to change at any time. Product specifications may vary from those shown. This Planning Guide should not be used as installation guidance for any product. Further information is required to safely and correctly install the products featured here. Specific installation guidance will be available on our website [fisherpaykel.com](http://fisherpaykel.com)





OS60SMTDB1



OS60SMTDG1

**OVERVIEW**

Experience the precise control, repeatability and certainty of steam with our flagship Combination Steam Oven. Harnessing all the advantages of AeroTech™ technology, the oven features 23 functions, including steam-only, convection-only, or a combination of both. A Wireless Temperature Sensor\* precisely monitors food in real time, while the intuitive interface and dial offer simple guided cooking, helping to ensure perfect results.

\*sold separately

**PRODUCTS**

**OS60SMTDB1** - Black Glass  
Combination Steam Oven, 60cm, 23 Function

**OS60SMTDG1** - Grey Glass  
Combination Steam Oven, 60cm, 23 Function

**SERIES & STYLE**

Series 11  
Minimal

**ACCESSORIES**

- ① Chromed Shelf Runners
- ② 2x Descale Solutions
- ③ 2x Full Extension Sliding Shelves
- ④ Grill Rack
- ⑤ Large Steam Dish
- ⑥ Step Down Wire Shelf
- ⑦ Large Perforated Steam Dish

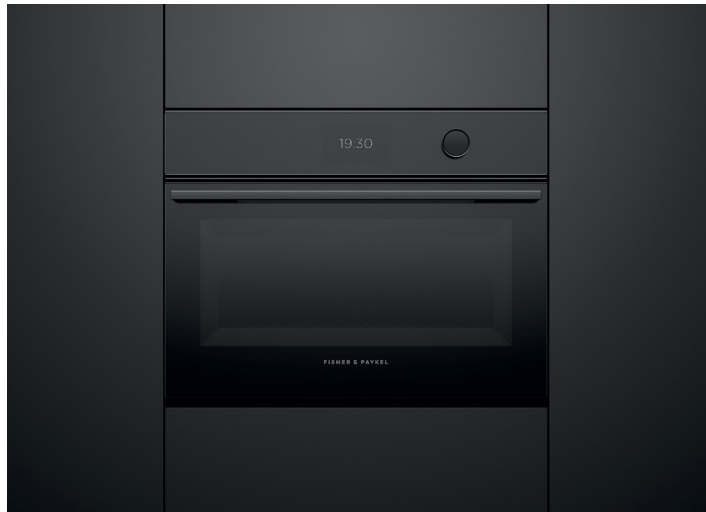
**FEATURES**

- ① Minimal style, designed to fit flush with cabinetry
- ② Generous 85L total capacity with six shelf positions
- ③ Intuitive, large 5" touchscreen display with illuminated dial
- ④ 23 oven functions including six steam-only functions
- ⑤ Moisture control and even heat distribution thanks to ActiveVent and AeroTech™ technology
- ⑥ Guided touchscreen cooking makes it simple to cook by food, function or recipe
- ⑦ Includes a Wired Temperature Sensor for real-time monitoring of cooking temperatures
- ⑧ Water tank capacity of 1.5L
- ⑨ Wi-Fi/Connected capability through the SmartHQ™ app

**ACCESSORIES**

- ⑧ Small Perforated Steam Dish
- ⑨ Roasting Dish
- ⑩ Smokeless Grill Tray
- ⑪ Wired Temperature Sensor

The models shown in this Planning Guide may not be available in all markets and are subject to change at any time. Product specifications may vary from those shown. This Planning Guide should not be used as installation guidance for any product. Further information is required to safely and correctly install the products featured here. Specific installation guidance will be available on our website [fisherpaykel.com](http://fisherpaykel.com)



OS60NMTDB1



OS60NMTDG1, paired with Warming Drawer WB60SMGI-SET

## OVERVIEW

With timeless Minimal styling, the compact Combination Steam Oven is designed to fit seamlessly into any kitchen. It features 23 functions, including steam-only, convection-only, or a combination of both. Reduce the need for oils and fats with six standalone steam functions, perfect for creating flavourful and healthy restaurant-quality meals at home. Beautiful to use, the large 5" touchscreen interface has simple and intuitive guided cooking, helping to ensure perfect results.

## PRODUCTS

**OS60NMTDB1** - Black Glass  
Combination Steam Oven, 60cm, 23 Function

**OS60NMTDG1** - Grey Glass  
Combination Steam Oven, 60cm, 23 Function

## SERIES & STYLE

Series 9  
Minimal

## FEATURES

- ① Minimal style, designed to fit flush with cabinetry
- ② 55L total capacity
- ③ Intuitive, large 5" touchscreen display with illuminated dial
- ④ 23 oven functions, including six steam-only functions
- ⑤ Includes a Wired Temperature Sensor for real-time monitoring of cooking temperatures
- ⑥ Guided touchscreen cooking makes it simple to cook by food, function or recipe
- ⑦ Moisture control and even heat distribution thanks to ActiveVent and AeroTech™ technology
- ⑧ Motorised control panel reveals large 1.5L water tank
- ⑨ Wi-Fi/Connected capability through the SmartHQ™ app

## ACCESSORIES

- ① Chromed Shelf Runners
- ② Full Extension Sliding Shelf
- ③ 2x Descale Solutions
- ④ Grill Rack
- ⑤ Large Steam Dish
- ⑥ Wire Shelf
- ⑦ Large Perforated Steam Dish
- ⑧ Small Perforated Steam Dish
- ⑩ Roasting Dish
- ⑪ Wired Temperature Sensor

The models shown in this Planning Guide may not be available in all markets and are subject to change at any time. Product specifications may vary from those shown. This Planning Guide should not be used as installation guidance for any product. Further information is required to safely and correctly install the products featured here. Specific installation guidance will be available on our website [fisherpaykel.com](https://fisherpaykel.com)



OM60NMTDB1



**OVERVIEW**

With timeless Minimal styling, the Combination Microwave Oven is designed to fit seamlessly into any kitchen. A flexible appliance that pairs the speed of microwave cooking with oven technology, which can crisp and brown as it cooks. Featuring 22 cooking functions on an intuitive touch display for easy programming of desired cooking mode and duration. A Wired Temperature Sensor monitors cooking in real time for complete control.

**PRODUCTS**

**OM60NMTDB1** - Black Glass  
Combination Microwave Oven, 60cm, 22 Function

**OM60NMTDG1** - Grey Glass  
Combination Microwave Oven, 60cm, 22 Function

**SERIES & STYLE**

Series 9  
Minimal

**ACCESSORIES**

- ① Chromed Shelf Runners
- ② Glass Tray
- ③ Step Down Wire Shelf
- ④ Wire Shelf
- ⑤ Wired Temperature Sensor
- ⑥ Grill Rack

**FEATURES**

- ① Minimal style, designed to fit flush with cabinetry
- ② Compact size for smaller kitchens, and generous 49L capacity with 4 shelf positions to cook for everyday's needs
- ③ Intuitive, large 5" touchscreen display with illuminated dial
- ④ The benefits of both microwave and convection oven cooking in one
- ⑤ 22 cooking functions, including 14 traditional convection functions, 4 microwave-only functions, and 4 microwave combination functions
- ⑥ Guided touchscreen cooking makes it simple to cook by food and function
- ⑦ Includes a Wired Temperature Sensor for real-time monitoring of cooking temperatures
- ⑧ Inverter technology for fast and even heating, and quiet product operation
- ⑨ Wi-Fi/Connected capability through the SmartHQ™ app

The models shown in this Planning Guide may not be available in all markets and are subject to change at any time. Product specifications may vary from those shown. This Planning Guide should not be used as installation guidance for any product. Further information is required to safely and correctly install the products featured here. Specific installation guidance will be available on our website [fisherpaykel.com](https://fisherpaykel.com)



Built-in Coffee Maker EB60MSB1, paired with Warming Drawer WB60SMB1-SET



Built-in Coffee Maker EB60MSG1, paired with Warming Drawer WB60SMG1-SET

## OVERVIEW

The Built-in Coffee Maker features a stylish finish and can be installed in multiple configurations to suit kitchen design and preference. With 13 beverage options, our Coffee Maker is designed to consistently pour delicious coffee - from Flat White to Latte or Americano. Favourite coffee styles are memorised for a fast brew with the push of a button. A programmable timer turns the Coffee Maker on at the ideal time each day, while the conical burr grinder delivers a consistent grind for a perfect coffee.

## PRODUCTS

**EB60MSB1** - Black Glass  
Built-in Coffee Maker, 60cm

**EB60MSG1** - Grey Glass  
Built-in Coffee Maker, 60cm

## ACCESSORIES

- ① Thermal milk jug (0.5L)
- ② Water filter
- ③ Coffee spoon
- ④ Extractable steam outlet
- ⑤ Descaling agent bottle
- ⑥ Telescopic runners

## FEATURES

- ① Designed to pair perfectly with 60cm ovens and companion products
- ② Install in multiple configurations to suit your kitchen design
- ③ Intuitive touch display
- ④ 13 functions to suit any taste and selection - from Espresso to Latte
- ⑤ Programmable timer turns on the Coffee Maker at the ideal time each day
- ⑥ Favourite coffee types are memorised and stored in custom profiles
- ⑦ Stainless steel conical burr grinder with 13 coarseness positions
- ⑧ 15 bar pump pressure
- ⑩ Self-cleaning function and easy to empty coffee grounds container and drip tray
- ⑪ 2.4L water tank capacity

## SERIES & STYLE

Series 9  
Minimal

The models shown in this Planning Guide may not be available in all markets and are subject to change at any time. Product specifications may vary from those shown. This Planning Guide should not be used as installation guidance for any product. Further information is required to safely and correctly install the products featured here. Specific installation guidance will be available on our website [fisherpaykel.com](https://fisherpaykel.com)



Warming Drawer WB60SMTB1-SET, paired with Steam Oven OS60NMTDB1

## OVERVIEW

Designed to complement our Minimal style ovens, these warming drawers are handle-free, and push-to-open for a coherent, considered look. Beautiful to use, with capacitive touch controls and six tailored functions for warming, proofing, dehydrating and slow cook. Pair with other companion products to create a kitchen suite for every need.

## PRODUCTS

**WB60SMTB1-SET** - Black Glass  
Warming Drawer, 60cm, Tall, Panel Ready\*

\*This model comes with an accessory door panel, and is not suitable for use with a custom door panel

## SERIES & STYLE

Series 9  
Minimal

## FEATURES

- ① Seamless pairing with our Minimal style ovens and other companion products
- ② Push-to-open drawer
- ③ Easy-to-use capacitive touch controls
- ④ Automatic timing and switch-off functionality
- ⑤ Easy-to-clean, smooth-glass base
- ⑥ Room for 16 standard-sized place settings
- ⑦ Versatile with six tailored programmes for warming, proofing, dehydrating and slow cook

## ACCESSORIES

- ① Accessory rack for optimising space

The models shown in this Planning Guide may not be available in all markets and are subject to change at any time. Product specifications may vary from those shown. This Planning Guide should not be used as installation guidance for any product. Further information is required to safely and correctly install the products featured here. Specific installation guidance will be available on our website [fisherpaykel.com](https://fisherpaykel.com)



Warming Drawer WB60SMB1-SET, paired with Steam Oven OS60NMTDB1



Warming Drawer WB60SMG1-SET, paired with Steam Oven OS60NMTDG1

**OVERVIEW**

Designed to complement our Minimal style ovens, these warming drawers are handle-free, and push-to-open for a coherent, considered look. Beautiful to use, with capacitive touch controls and six tailored functions for warming, proofing, dehydrating and slow cook. Pair with other companion products to create a kitchen suite for every need.

**PRODUCTS**

**WB60SMB1-SET** - Black Glass  
Warming Drawer, 60cm, Panel Ready\*

**WB60SMG1-SET** - Grey Glass  
Warming Drawer, 60cm, Panel Ready\*

\*This model comes with an accessory door panel, and is not suitable for use with a custom door panel

**SERIES & STYLE**

Series 9  
Minimal

**FEATURES**

- ① Seamless pairing with our Minimal style ovens and other companion products
- ② Push-to-open drawer
- ③ Easy-to-use capacitive touch controls
- ④ Easy-to-clean, smooth-glass base
- ⑤ Room for six standard-sized place settings
- ⑥ Automatic timing, switch-off functionality
- ⑦ Interior LED lighting
- ⑧ Versatile with six tailored programmes for warming, proofing, dehydrating and slow cook

The models shown in this Planning Guide may not be available in all markets and are subject to change at any time. Product specifications may vary from those shown. This Planning Guide should not be used as installation guidance for any product. Further information is required to safely and correctly install the products featured here. Specific installation guidance will be available on our website [fisherpaykel.com](http://fisherpaykel.com)



Vacuum Seal Drawer VB60SMB1-SET, paired with Steam Oven OS60NMTDB1



Vacuum Seal Drawer VB60SMG1-SET, paired with Steam Oven OS60NMTDG1

## OVERVIEW

Designed to match our Minimal style appliances, the Vacuum Seal Drawer is the ideal companion for our Combination Steam Oven. Prepares food for sous vide cooking, or vacuum sealing for marinating, food storage and portioning and resealing. Beautiful to use, with capacitive touch controls, these drawers deliver the performance to achieve perfect results.

## PRODUCTS

**VB60SMB1-SET** - Black Glass  
Vacuum Seal Drawer, 60cm, Panel Ready\*

**VB60SMG1-SET** - Grey Glass  
Vacuum Seal Drawer, 60cm, Panel Ready\*

\*This model comes with an accessory door panel, and is not suitable for use with a custom door panel

## SERIES & STYLE

Series 9  
Minimal

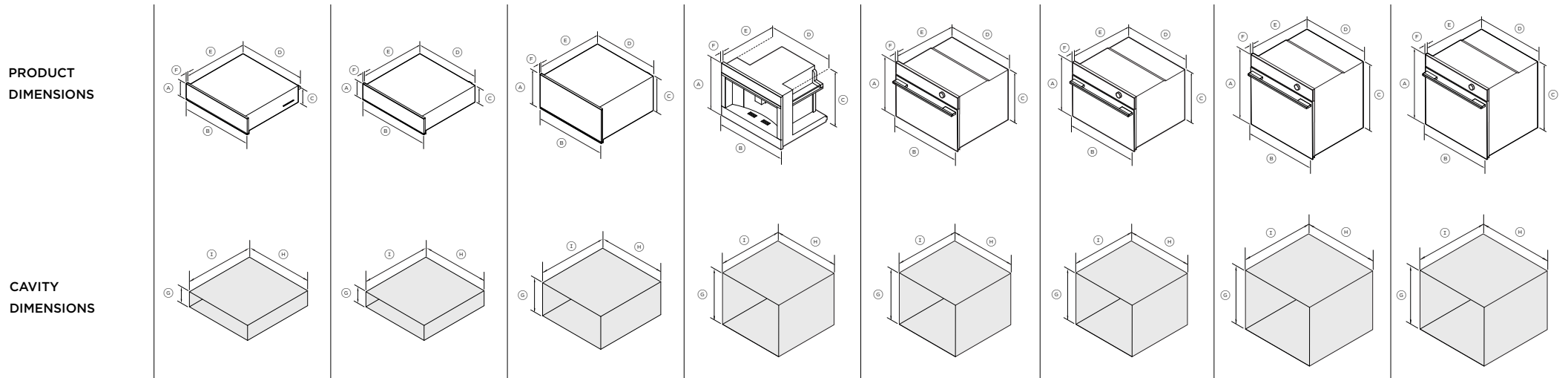
## FEATURES

- ① Seamless pairing with our Minimal style ovens and other companion products
- ② Push-to-open drawer
- ③ Three levels of vacuum and heat sealing
- ④ Easy-to-clean base
- ⑤ Easy-to-use capacitive touch controls
- ⑥ Vacuum sealing for easy food portioning, marinating, storage and extended shelf life, or re-sealing
- ⑦ Effortless preparation for sous vide cooking
- ⑧ Maintenance and moisture indicator

## ACCESSORIES

- ① External vacuuming accessory kit
- ② Large BPA free vacuum seal bags (50 bags, part 793034)
- ③ Small BPA-free vacuum seal bags (50 bags, part 793033)

The models shown in this Planning Guide may not be available in all markets and are subject to change at any time. Product specifications may vary from those shown. This Planning Guide should not be used as installation guidance for any product. Further information is required to safely and correctly install the products featured here. Specific installation guidance will be available on our website [fisherpaykel.com](https://fisherpaykel.com)



**VACUUM SEAL DRAWER**  
VB60SMB1-SET  
VB60SMG1-SET

**WARMING DRAWER**  
WB60SMB1-SET  
WB60SMG1-SET

**WARMING DRAWER TALL**  
WB60SMTB1-SET

**BUILT-IN COFFEE MAKER**  
EB60MSB1  
EB60MSG1

**COMBINATION MICROWAVE OVEN**  
OM60NMTDB1  
OM60NMTDG1

**COMBINATION STEAM OVEN**  
OS60NMTDB1  
OS60NMTDG1

**COMBINATION STEAM OVEN**  
OS60SMTDB1  
OS60SMTDG1

**OVEN**  
OB60SMPTDB1  
OB60SMPTDG1

**PRODUCT DIMENSIONS**

Ⓐ Overall height	140mm	140mm	290mm	458mm	458mm	458mm	598mm	598mm
Ⓑ Overall width	596mm	596mm	596mm	596mm	596mm	596mm	596mm	596mm
Ⓒ Chassis height	140mm	140mm	290mm	445mm	435mm	435mm	575mm	575mm
Ⓓ Chassis width	556mm**	543mm	543mm	560mm	556mm	556mm	556mm	556mm
Ⓔ Chassis depth	545mm	547mm	547mm	460mm	545mm	545mm	545mm	545mm
Ⓕ Front panel thickness	20mm	20mm	20mm	20mm	20mm	20mm	20mm	20mm
Depth of oven door fully open	-	-	-	-	320mm*	320mm*	460mm*	460mm*

\*Measured from front of control panel

\*\*Includes side brackets

**CAVITY DIMENSIONS**

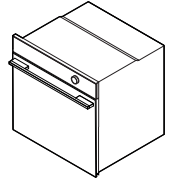
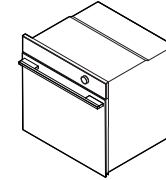
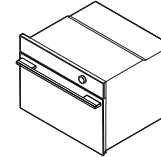
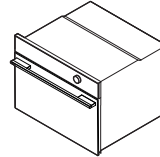
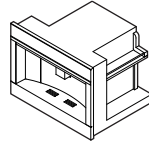
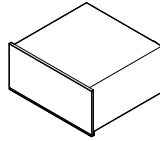
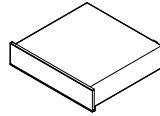
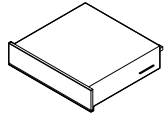
Ⓒ Minimum inside height of cavity	142mm**	142mm**	292mm**	450mm	440mm	440mm	580mm	580mm
Ⓓ Minimum inside width of cavity	560mm	560mm	560mm	560mm	560mm	560mm	560mm	560mm
Ⓔ Minimum inside depth of cavity	550mm	550mm	550mm	545mm*	550mm*	550mm	550mm	550mm
Recommended cabinet width	600mm	600mm	600mm	600mm	600mm	600mm	600mm	600mm

\*Requires ventilation at the rear of the cavity

\*\*Standalone installation measurement can be installed with appliance on top. Drawers can fully support 60cm Fisher & Paykel wall oven, without adding shelf in between

The models shown in this Planning Guide may not be available in all markets and are subject to change at any time. Product specifications may vary from those shown. This Planning Guide should not be used as installation guidance for any product. Further information is required to safely and correctly install the products featured here. Specific installation guidance will be available on our website [fisherpaykel.com](http://fisherpaykel.com)





**VACUUM SEAL DRAWER**  
VB60SMB1-SET  
VB60SMG1-SET

**WARMING DRAWER**  
WB60SMB1-SET  
WB60SMG1-SET

**WARMING DRAWER TALL**  
WB60SMTB1-SET

**BUILT-IN COFFEE MAKER**  
EB60MSB1  
EB60MSG1

**COMBINATION MICROWAVE OVEN**  
OM60NMTDB1  
OM60NMTDG1

**COMBINATION STEAM OVEN**  
OS60NMTDB1  
OS60NMTDG1

**COMBINATION STEAM OVEN**  
OS60SMTDB1  
OS60SMTDG1

**OVEN**  
OB60SMPTDB1  
OB60SMPTDG1

**POWER REQUIREMENTS**

Supply	220-240 V, 50 Hz	220-240 V, 50 Hz	220-240 V, 50 Hz	220-240 V, 50 Hz	220-240 V, 50 Hz	220-240 V, 50 Hz	220-240 V, 50 Hz	220-240 V, 50 Hz
Service	10 A	10 A	10 A	10 A	20 A	20 A	20 A	20 A
Connection	Flex cord 1800mm	Flex cord 1800mm	Flex cord 1800mm	Flex cord 1700mm	Hard wired	Hard wired	Hard wired	Hard wired

**WEIGHT**

Packaged	42kg	22kg	25kg	39kg	46kg	52kg	65kg	44kg
Unpackaged	35kg	18kg	20kg	29kg	41kg	39kg	46kg	38kg

**CAPACITY**

Total oven	-	-	-	-	49L	55L	85L	85L
Total water tank	-	-	-	2.4L	-	1.4L	1.4L	-

**SERVICES**

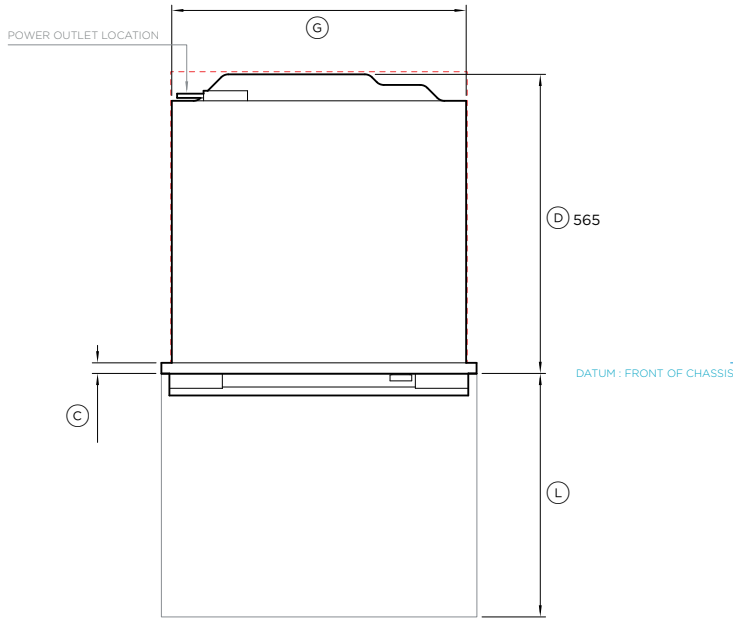
For more information on cord length, water supply and electrical requirements, refer to the 'Services' section of this Planning Guide.

**WATER**

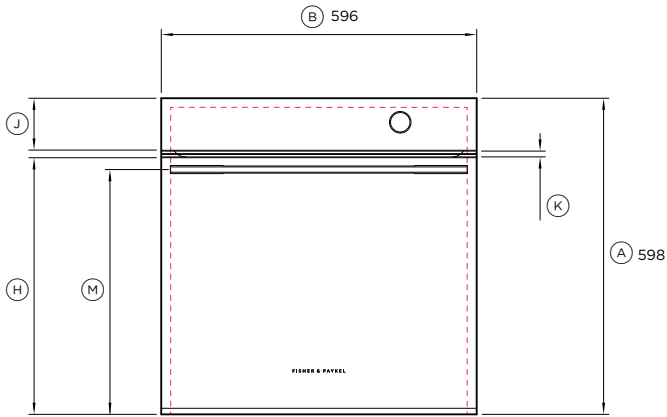
All Coffee Makers and Steam Ovens have internal water tanks which need to be filled manually. No external water supply is required.

The models shown in this Planning Guide may not be available in all markets and are subject to change at any time. Product specifications may vary from those shown. This Planning Guide should not be used as installation guidance for any product. Further information is required to safely and correctly install the products featured here. Specific installation guidance will be available on our website [fisherpaykel.com](http://fisherpaykel.com)

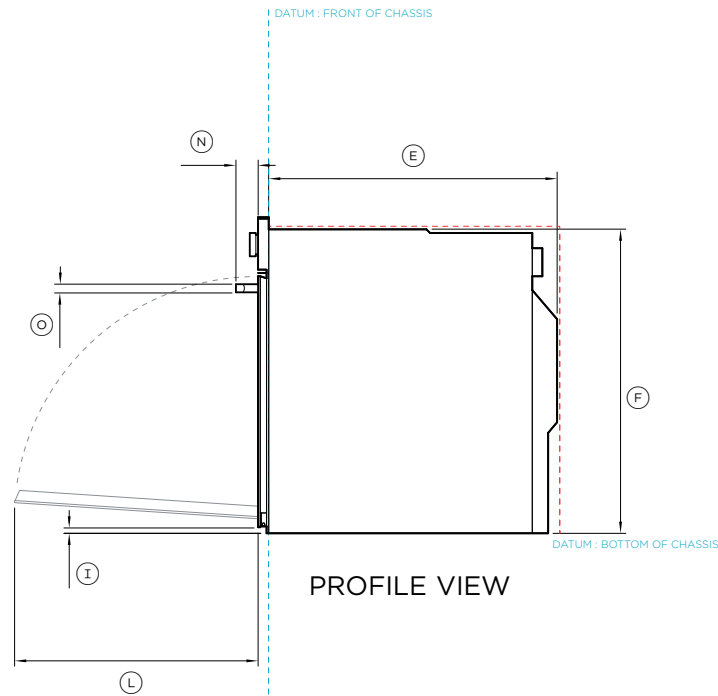
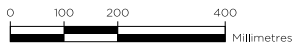
## DATA SHEETS



PLAN VIEW



FRONT VIEW



PROFILE VIEW

**Model no:**

Oven, 60cm - OB60SMPTDB1, OB60SMPTDG1

**Product Dimensions**

	mm
A Overall height of product	598
B Overall width of product	596
C Depth of control panel (excludes dial and handle)	20
D Depth of chassis and control panel (excludes dial and handle)	565
E Depth of chassis	545
F Height of chassis	575
G Width of chassis	556
H Height from bottom datum to top of oven door	487
I Height from bottom datum to bottom of door	12
J Height of control panel	100
K Gap between door and control panel	11
L Depth of door when open (measured from front of door)	460
M Height from bottom datum to centerline of handle	464
N Depth of handle (measured from front of door)	42
O Thickness of handle	16

**Minimum Clearances - Flush Installation**

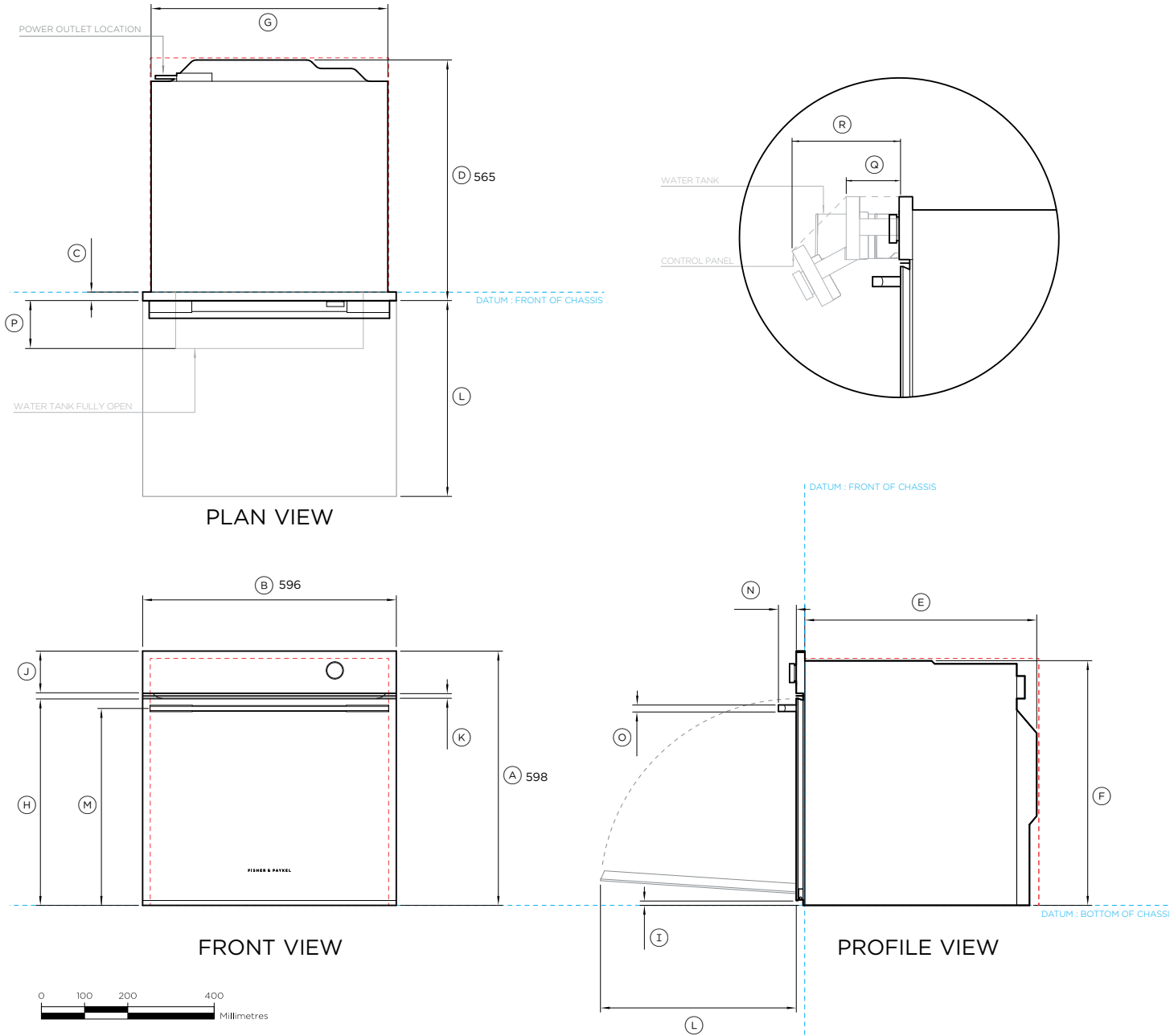
	mm
Minimum inside height of cavity	580
Minimum inside width of cavity	560
Minimum inside depth of cavity	550
Minimum clearances above oven control panel to upper cabinetry front panel or appliance	2
Minimum clearances between bottom of oven chassis to lower cabinetry front panel or appliance	2

Ensure a 5mm minimum clearance is maintained between the top of the oven chassis and the cabinetry. Ensure the oven is not bearing any weight from cabinetry or products installed above.

IMPORTANT NOTE: For full installation and clearance details please refer to our installation manual.

INDICATES PRODUCT DATUM - - - - -  
INDICATES CABINETRY CLEARANCES - - - - -

IMPORTANT NOTE: Throughout this guide, dimensions may vary by ±2mm (1/16"). Please read the Installation Guide for detailed information on installing the product. For full installation instructions visit [fisherpaykel.com](http://fisherpaykel.com)



**Model no:**

Combination Steam Oven, 60cm - OS60SMTDB1, OS60SMTDG1

**Product Dimensions**

	<b>mm</b>
Ⓐ Overall height of product	598
Ⓑ Overall width of product	596
Ⓒ Depth of control panel (excludes dial and handle)	20
Ⓓ Depth of chassis and control panel (excludes dial and handle)	565
Ⓔ Depth of chassis	545
Ⓕ Height of chassis	575
Ⓖ Width of chassis	556
Ⓜ Height from bottom datum to top of oven door	487
Ⓜ Height from bottom datum to bottom of door	12
Ⓜ Height of control panel	100
Ⓧ Gap between door and control panel	11
Ⓛ Depth of door when open (measured from front of door)	460
Ⓜ Height from bottom datum to centerline of handle	464
Ⓝ Depth of handle (measured from front of door)	42
Ⓞ Thickness of handle	16
Ⓟ Control panel fully open (measured from front of door)	170
Ⓠ Control panel half open (measured from front of door)	84
Ⓢ Water tank carriage fully open (measured from front of door)	133

**Minimum Clearances - Flush Installation**

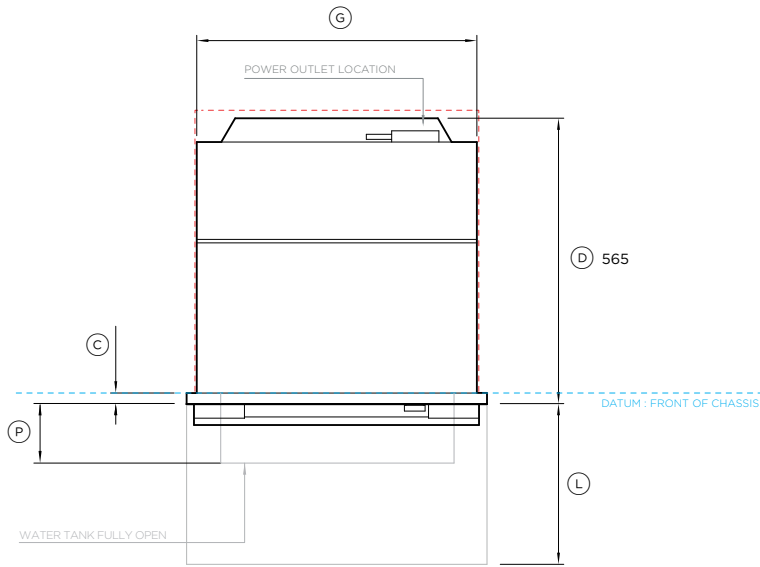
	<b>mm</b>
Minimum inside height of cavity	580
Minimum inside width of cavity	560
Minimum inside depth of cavity	550
Minimum clearances above oven control panel to upper cabinetry front panel or appliance	2
Minimum clearances between bottom of oven chassis to lower cabinetry front panel or appliance	2

Ensure a 5mm minimum clearance is maintained between the top of the oven chassis and the cabinetry. Ensure the oven is not bearing any weight from cabinetry or products installed above.

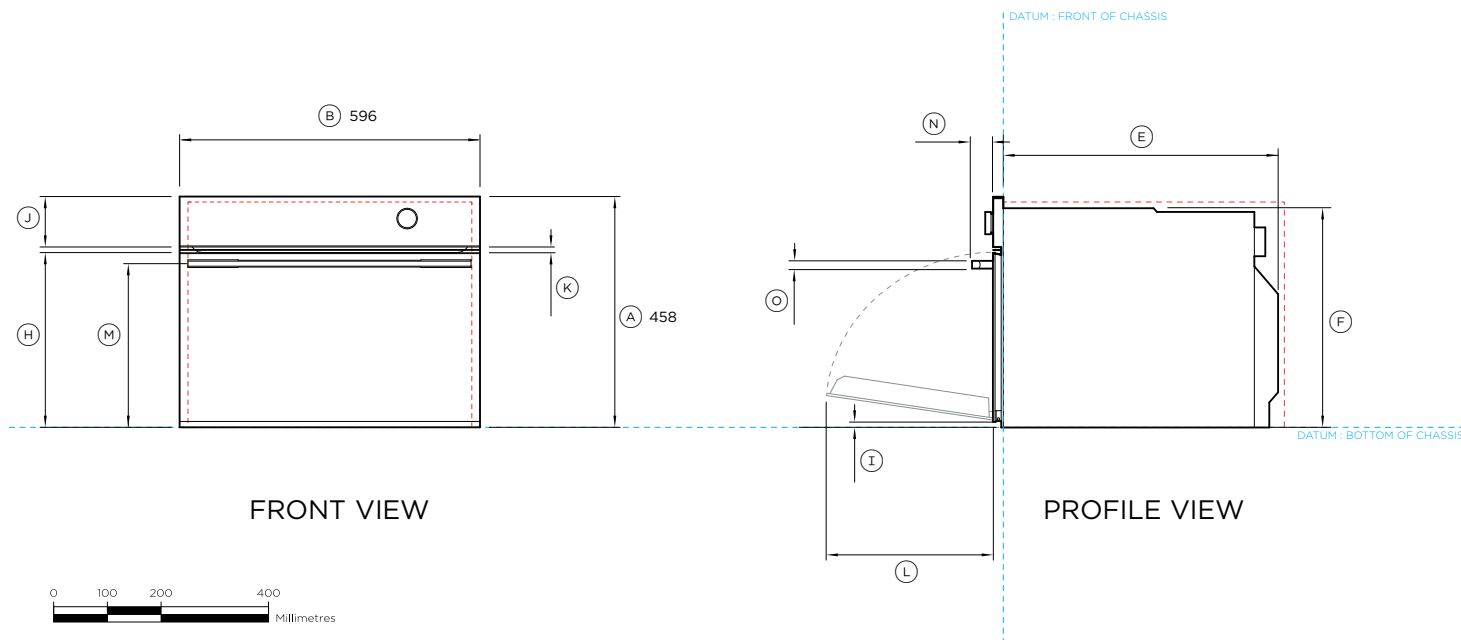
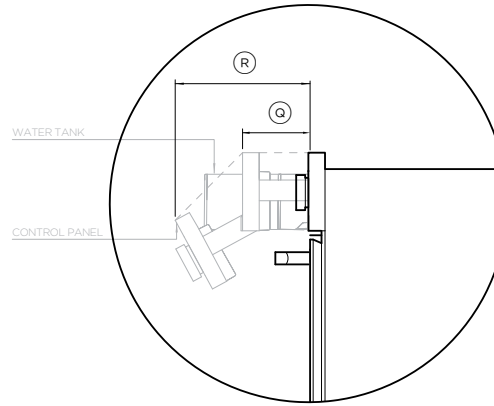
IMPORTANT NOTE: For full installation and clearance details please refer to our installation manual.

INDICATES PRODUCT DATUM -----  
 INDICATES CABINETRY CLEARANCES - - - - -

IMPORTANT NOTE: Throughout this guide, dimensions may vary by ±2mm (1/16"). Please read the Installation Guide for detailed information on installing the product. For full installation instructions visit fisherpaykel.com



PLAN VIEW



FRONT VIEW

PROFILE VIEW

**Model no:**

Combination Steam Oven, 60cm - OS60NMTDB1, OS60NMTDG1

**Product Dimensions**

	<b>mm</b>
A Overall height of product	458
B Overall width of product	596
C Depth of control panel (excludes dial and handle)	20
D Depth of chassis and control panel (excludes dial and handle)	565
E Depth of chassis	545
F Height of chassis	435
G Width of chassis	556
H Height from bottom datum to top of oven door	347
I Height from bottom datum to bottom of door	12
J Height of control panel	100
K Gap between door and control panel	11
L Depth of door when open (measured from front of door)	320
M Height from bottom datum to centerline of handle	324
N Depth of handle (measured from front of door)	42
O Thickness of handle	16
P Control panel fully open (measured from front of door)	170
Q Control panel half open (measured from front of door)	84
R Water tank carriage fully open (measured from front of door)	133

**Minimum Clearances - Flush Installation**

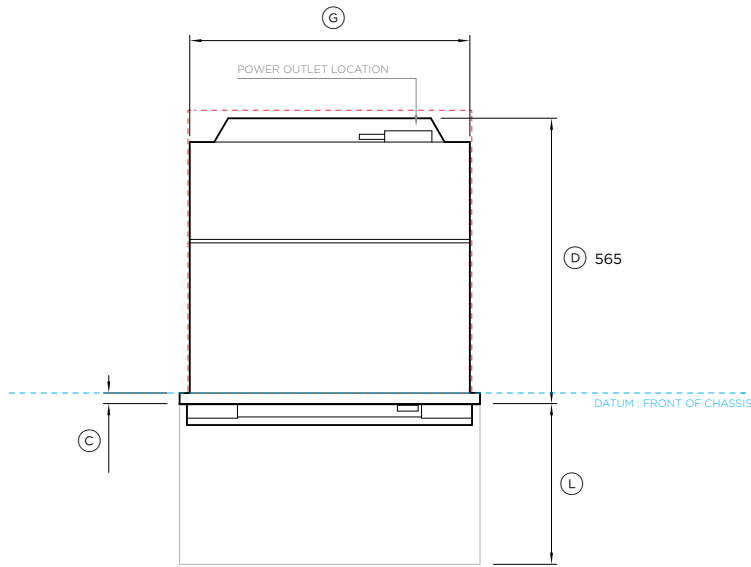
	<b>mm</b>
Minimum inside height of cavity	440
Minimum inside width of cavity	560
Minimum inside depth of cavity	550
Minimum clearances above oven control panel to upper cabinetry front panel or appliance	2
Minimum clearances between bottom of oven chassis to lower cabinetry front panel or appliance	2

Ensure a 5mm minimum clearance is maintained between the top of the oven chassis and the cabinetry. Ensure the oven is not bearing any weight from cabinetry or products installed above.

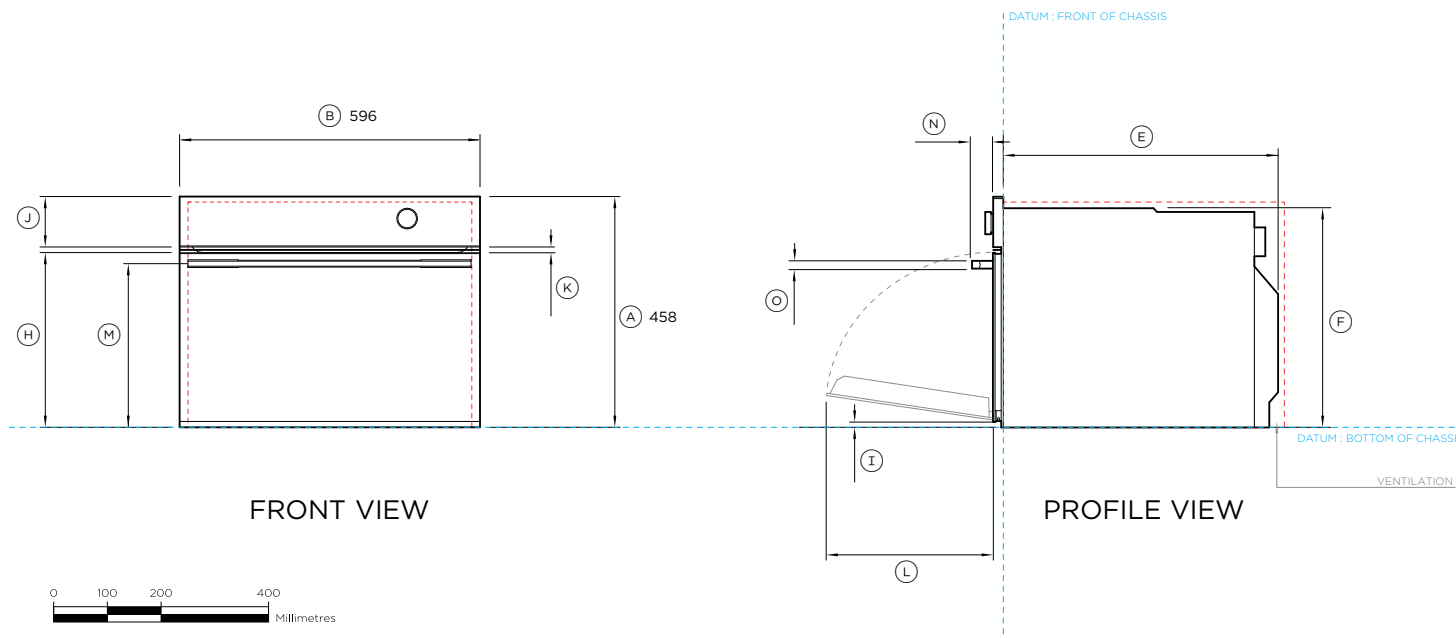
IMPORTANT NOTE: For full installation and clearance details please refer to our installation manual.

INDICATES PRODUCT DATUM -----  
 INDICATES CABINETRY CLEARANCES - - - - -

IMPORTANT NOTE: Throughout this guide, dimensions may vary by ±2mm (1/16"). Please read the Installation Guide for detailed information on installing the product. For full installation instructions visit fisherpaykel.com

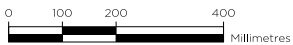


PLAN VIEW



FRONT VIEW

PROFILE VIEW



**Model no:**

Combination Microwave Oven, 60cm - OM60NMTDB1, OM60NMTDG1

**Product Dimensions**

	mm
Ⓐ Overall height of product	458
Ⓑ Overall width of product	596
Ⓒ Depth of control panel (excludes dial and handle)	20
Ⓓ Depth of chassis and control panel (excludes dial and handle)	565
Ⓔ Depth of chassis	545
Ⓕ Height of chassis	435
Ⓖ Width of chassis	556
Ⓜ Height from bottom datum to top of oven door	347
Ⓨ Height from bottom datum to bottom of door	12
Ⓩ Height of control panel	100
Ⓧ Gap between door and control panel	11
Ⓛ Depth of door when open (measured from front of door)	320
Ⓜ Height from bottom datum to centerline of handle	324
Ⓝ Depth of handle (measured from front of door)	42
Ⓢ Thickness of handle	16

**Minimum Clearances - Flush Installation**

	mm
Minimum inside height of cavity	440
Minimum inside width of cavity	560
Minimum inside depth of cavity	550
Rear ventilation air vent depth*	50
Rear ventilation air vent width*	560
Minimum clearances above oven control panel to upper cabinetry front panel or appliance	2
Minimum clearances between bottom of oven chassis to lower cabinetry front panel or appliance	2

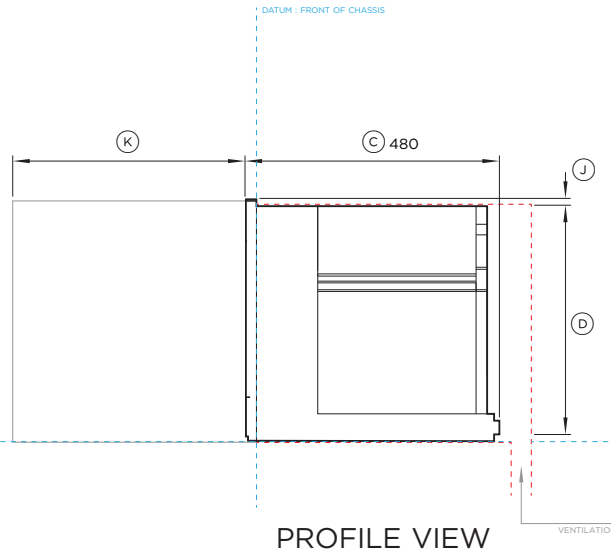
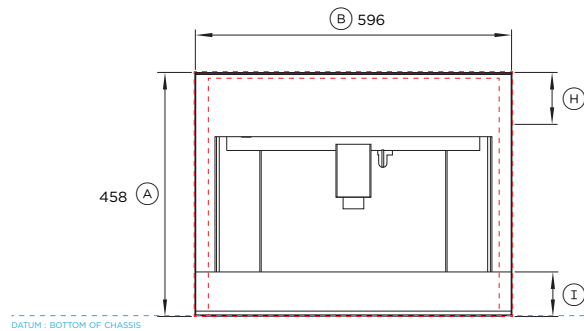
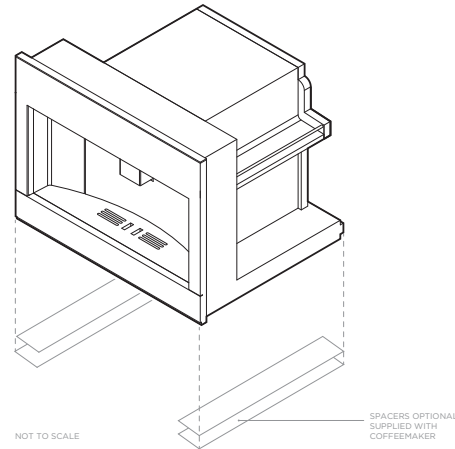
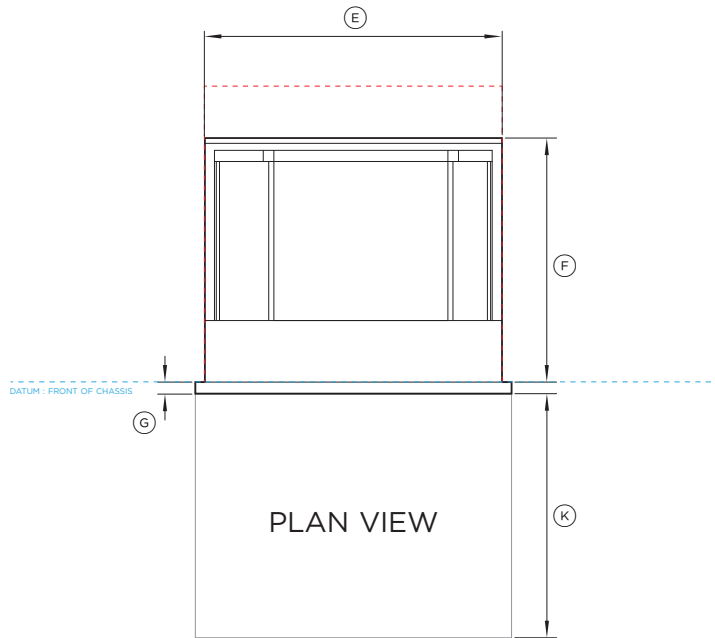
\*A rear ventilation air vent totalling 280cm<sup>2</sup> is required. The air vent must be located at the rear of the cabinet, it can be positioned at the base, sides, back or top of the cavity.

Ensure a 5mm minimum clearance is maintained between the top of the oven chassis and the cabinetry. Ensure the oven is not bearing any weight from cabinetry or products installed above.

IMPORTANT NOTE: For full installation and clearance details please refer to our installation manual.

INDICATES PRODUCT DATUM -----  
 INDICATES CABINETRY CLEARANCES - - - - -

IMPORTANT NOTE: Throughout this guide, dimensions may vary by ±2mm (1/16"). Please read the Installation Guide for detailed information on installing the product. For full installation instructions visit fisherpaykel.com



**Model no:**

Built-in Coffee Maker, 60cm - EB60MSB1, EB60MSG1

**Product Dimensions**

	<b>mm</b>
Ⓐ Overall height of product	458
Ⓑ Overall width of product	596
Ⓒ Overall depth of product (excludes front metal trim)	480
Ⓓ Height of chassis	445
Ⓔ Width of chassis	560
Ⓕ Depth of chassis	460
Ⓖ Depth of coffee maker front frame and control panel (excludes front metal trim)	20
Ⓗ Height of control panel	100
Ⓘ Height of horizontal lower section from bottom datum	83
Ⓝ Stepdown from control panel to chassis	13
Ⓚ Extent coffee maker pulls out	435

**Minimum Clearances - Flush Installation**

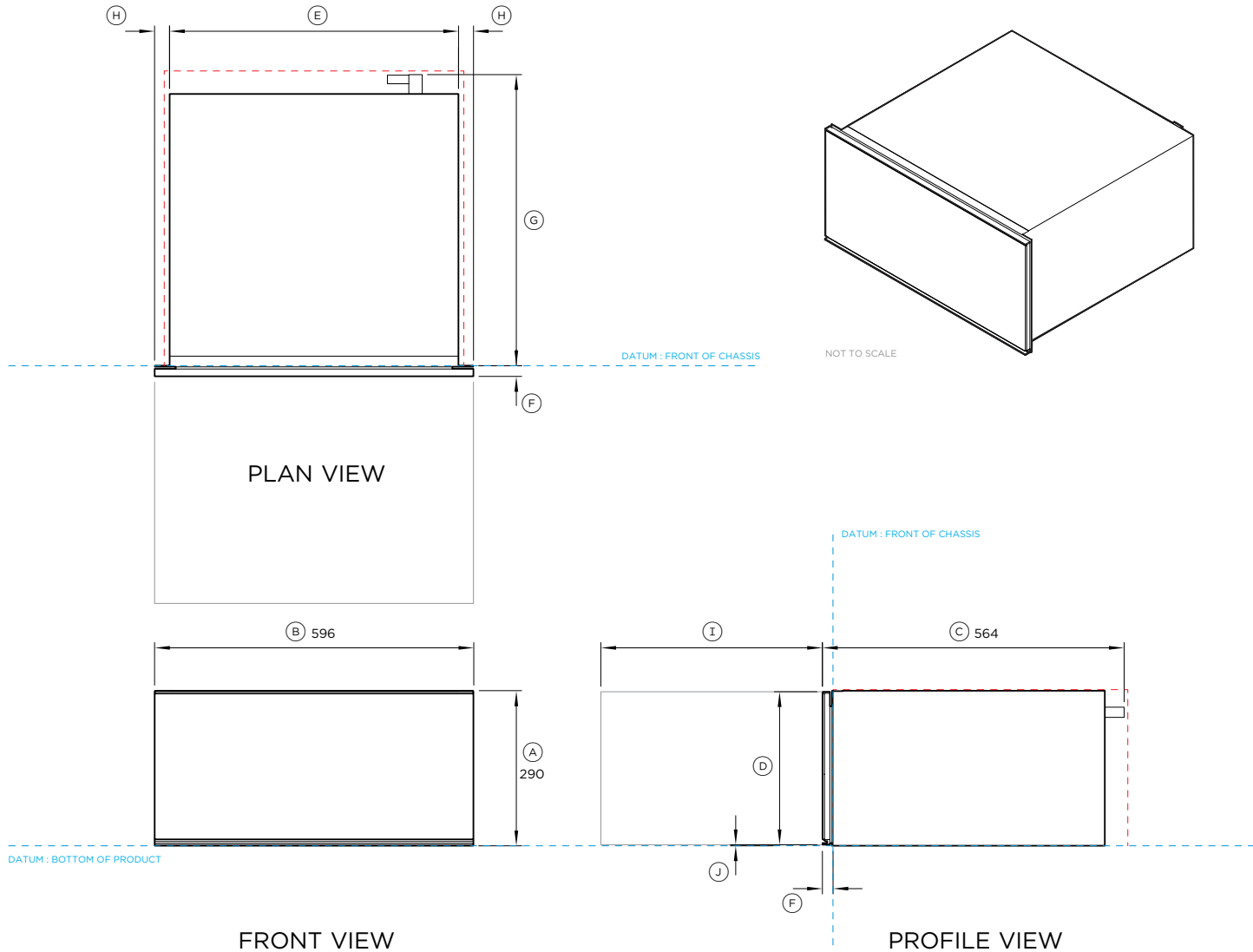
	<b>mm</b>
Minimum inside height of cavity	450
Minimum inside width of cavity	560
Minimum inside depth of cavity from front datum	545
Overall height of cabinetry	460
Overall width of cabinetry	600
Rear ventilation air vent depth*	50
Rear ventilation air vent width*	560
Minimum clearances above built-in coffee maker control panel to upper cabinetry front panel or appliance	2
Minimum clearances between bottom of coffee maker rails to lower cabinetry front panel or appliance	2

\*A rear ventilation air vent totalling 280cm<sup>2</sup> is required. The air vent must be located at the rear of cabinet. It can be positioned at the base, sides, back or top of the cavity.

IMPORTANT NOTE: For full installation and clearance details please refer to our installation manual.

INDICATES PRODUCT DATUM -----  
 INDICATES CABINERY CLEARANCES - - - - -

IMPORTANT NOTE: Throughout this guide, dimensions may vary by ±2mm (1/16"). Please read the Installation Guide for detailed information on installing the product. For full installation instructions visit [fisherpaykel.com](http://fisherpaykel.com)



**Model no:**

Warming Drawer, 60cm, Tall - WB60SMTB1-SET

**Product Dimensions**

	mm
Ⓐ Overall height of product	290
Ⓑ Overall width of product	596
Ⓒ Overall depth (incl. front panel & power plug)	564
Ⓓ Height of drawer front panel	286
Ⓔ Width of chassis	543
Ⓕ Depth of drawer front panel and flange	20
Ⓖ Depth of chassis (includes power plug, excludes flange)	547
ⓓ Distance from side of chassis to side of drawer front	36
ⓖ Depth of open drawer (measured from front of drawer panel)	414
ⓗ Height from bottom of chassis to bottom of front panel	2

**Dimension Clearances - Flush Installation**

	mm
Minimum inside height of cavity	292
Minimum inside width of cavity	560
Minimum inside depth of cavity	550
Overall width of cabinetry	600
Minimum clearances above drawer front panel to upper cabinetry front panel or appliance*	4
Minimum clearances between bottom of drawer chassis to lower cabinetry front panel or appliance	2

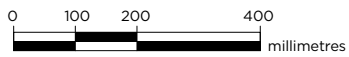
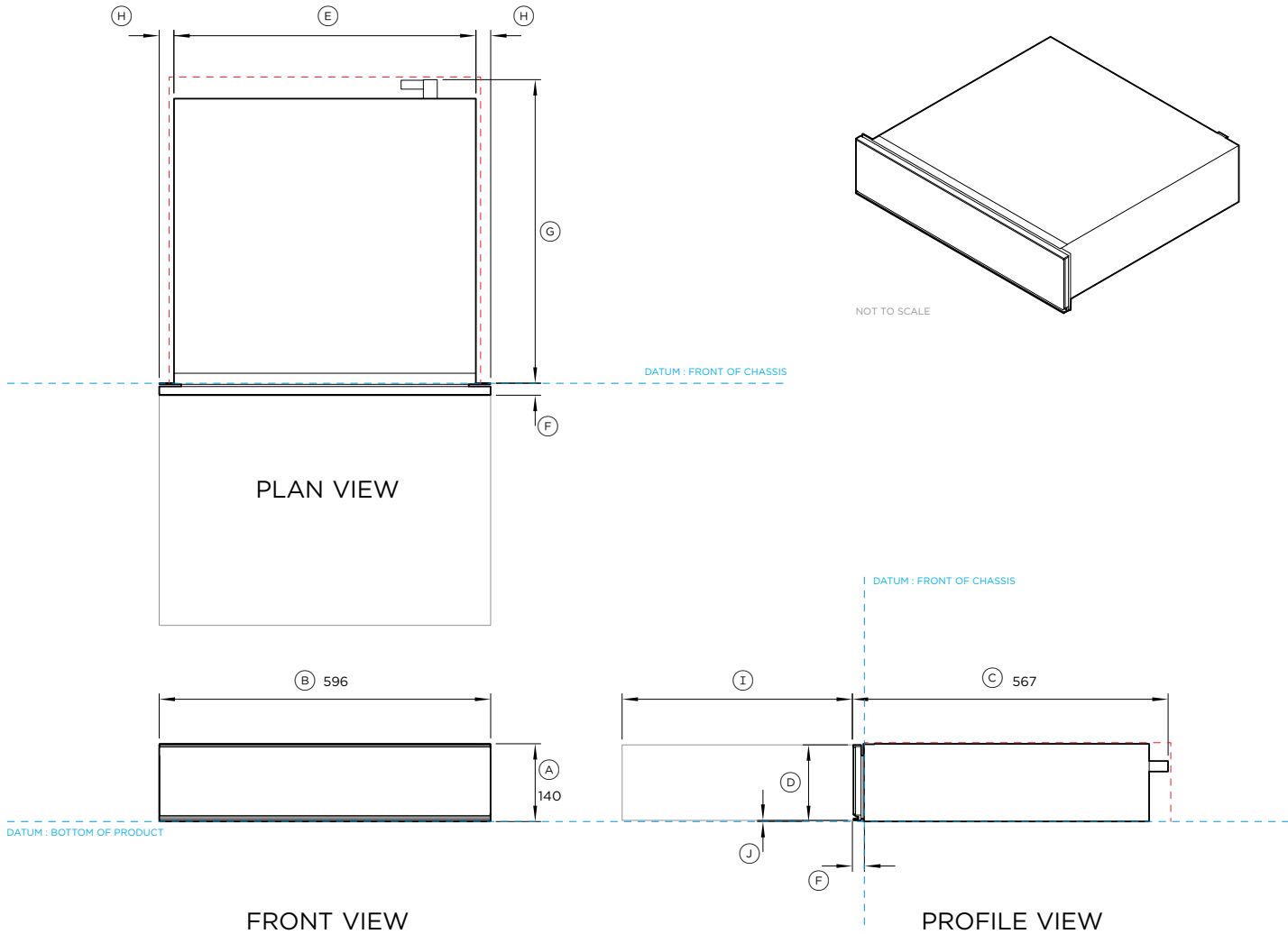
\*Achieve a smaller gap between drawer front panel to upper cabinetry front panel by dropping cabinetry front panel down

IMPORTANT NOTE: For full installation and clearance details please refer to our installation manual.

INDICATES PRODUCT DATUM -----  
 INDICATES CABINETRY CLEARANCES - - - - -

IMPORTANT NOTE: Throughout this guide, dimensions may vary by ±2mm (1/16"). Please read the Installation Guide for detailed information on installing the product. For full installation instructions visit fisherpaykel.com





**Model no:**

Warming Drawer, 60cm - WB60SMB1-SET, WB60SMG1-SET

Product Dimensions	mm
Ⓐ Overall height of product	140
Ⓑ Overall width of product	596
Ⓒ Overall depth (incl. front panel & power plug, excludes stainless cap)	567
Ⓓ Height of drawer front panel	136
Ⓔ Width of chassis	543
Ⓕ Depth of drawer front panel and flange (excludes stainless cap)	20
Ⓖ Depth of chassis (includes power plug, excludes flange)	547
Ⓜ Distance from side of chassis to side of drawer front	36
Ⓘ Depth of open drawer (measured from front of drawer panel)	414
Ⓢ Height from bottom of chassis to bottom of front panel	2

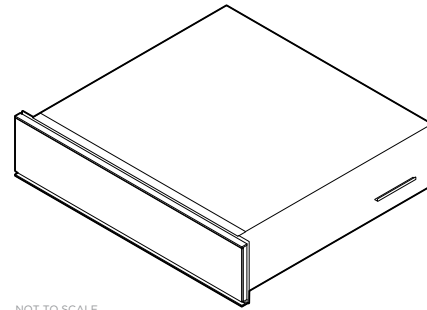
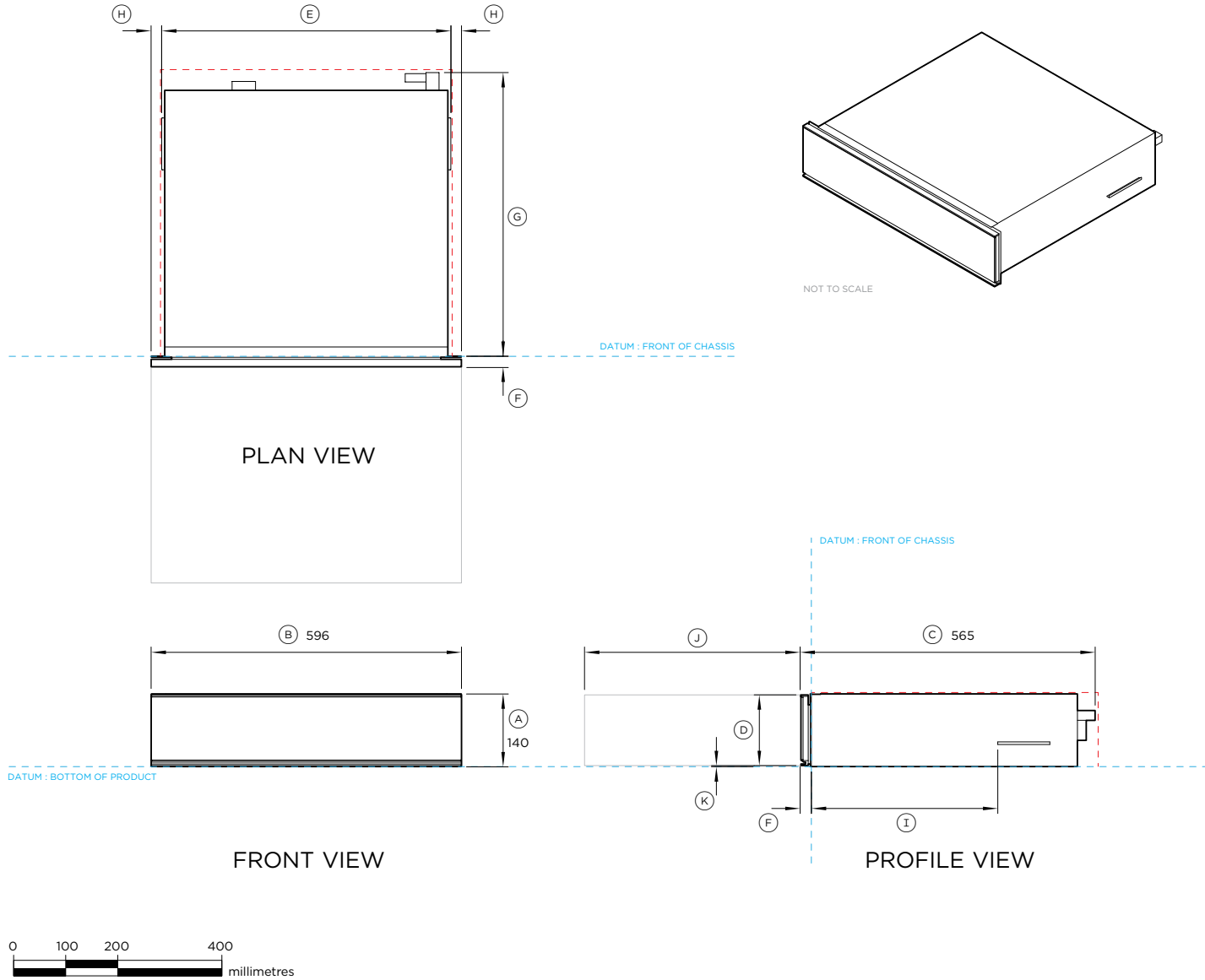
Dimension Clearances - Flush Installation	mm
Minimum inside height of cavity	142
Minimum inside width of cavity	560
Minimum inside depth of cavity	550
Overall width of cabinetry	600
Minimum clearances above drawer front panel to upper cabinetry front panel or appliance*	4
Minimum clearances between bottom of drawer chassis to lower cabinetry front panel or appliance	2

\*Achieve a smaller gap between drawer front panel to upper cabinetry front panel by dropping cabinetry front panel down

IMPORTANT NOTE: For full installation and clearance details please refer to our installation manual.

INDICATES PRODUCT DATUM -----  
 INDICATES CABINETRY CLEARANCES - - - - -

IMPORTANT NOTE: Throughout this guide, dimensions may vary by ±2mm (1/16"). Please read the Installation Guide for detailed information on installing the product. For full installation instructions visit fisherpaykel.com



NOT TO SCALE

**Model no:**

Vacuum Seal Drawer - VB60SMB1-SET, VB60SMG1-SET

**Product Dimensions**

	mm
Ⓐ Overall height of product	140
Ⓑ Overall width of product	596
Ⓒ Overall depth (incl. front panel & power plug)	565
Ⓓ Height of drawer front panel	136
Ⓔ Width of chassis (includes side brackets)	556
Ⓕ Depth of drawer front panel and flange	20
Ⓖ Depth of chassis (includes power plug, excludes flange)	545
Ⓜ Distance from side bracket to side of drawer front	20
Ⓣ Distance between flange and side bracket	358
Ⓝ Depth of open drawer (measured from front of drawer panel)	414
Ⓚ Height from bottom of chassis to bottom of front panel	2

**Dimension Clearances - Flush Installation**

	mm
Minimum inside height of cavity	142
Minimum inside width of cavity	560
Minimum inside depth of cavity	550
Overall width of cabinetry	600
Minimum clearances above drawer front panel to upper cabinetry front panel or appliance*	4
Minimum clearances between bottom of drawer chassis to lower cabinetry front panel or appliance	2

\*Achieve a smaller gap between drawer front panel to upper cabinetry front panel by dropping cabinetry front panel down

IMPORTANT NOTE: For full installation and clearance details please refer to our installation manual.

INDICATES PRODUCT DATUM -----  
 INDICATES CABINERY CLEARANCES - - - - -

IMPORTANT NOTE: Throughout this guide, dimensions may vary by ±2mm (1/16"). Please read the Installation Guide for detailed information on installing the product. For full installation instructions visit fisherpaykel.com

## PLANNING CONSIDERATIONS

**DIVIDING SHELF**

If the appliance front panel is thicker than the cabinetry front panel, adjust the dividing shelf depth to ensure the oven sits flush with the front of the cabinetry.

**BLACK CLASHING**

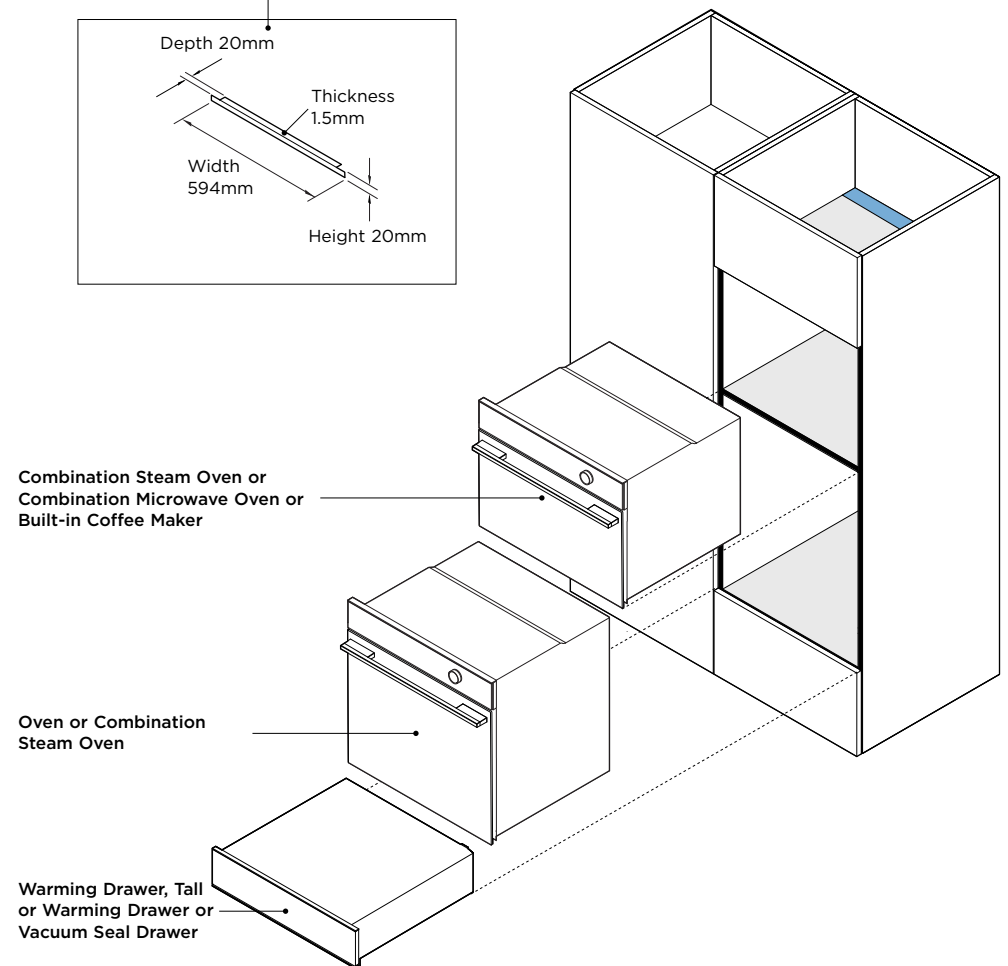
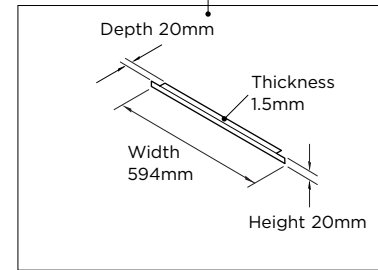
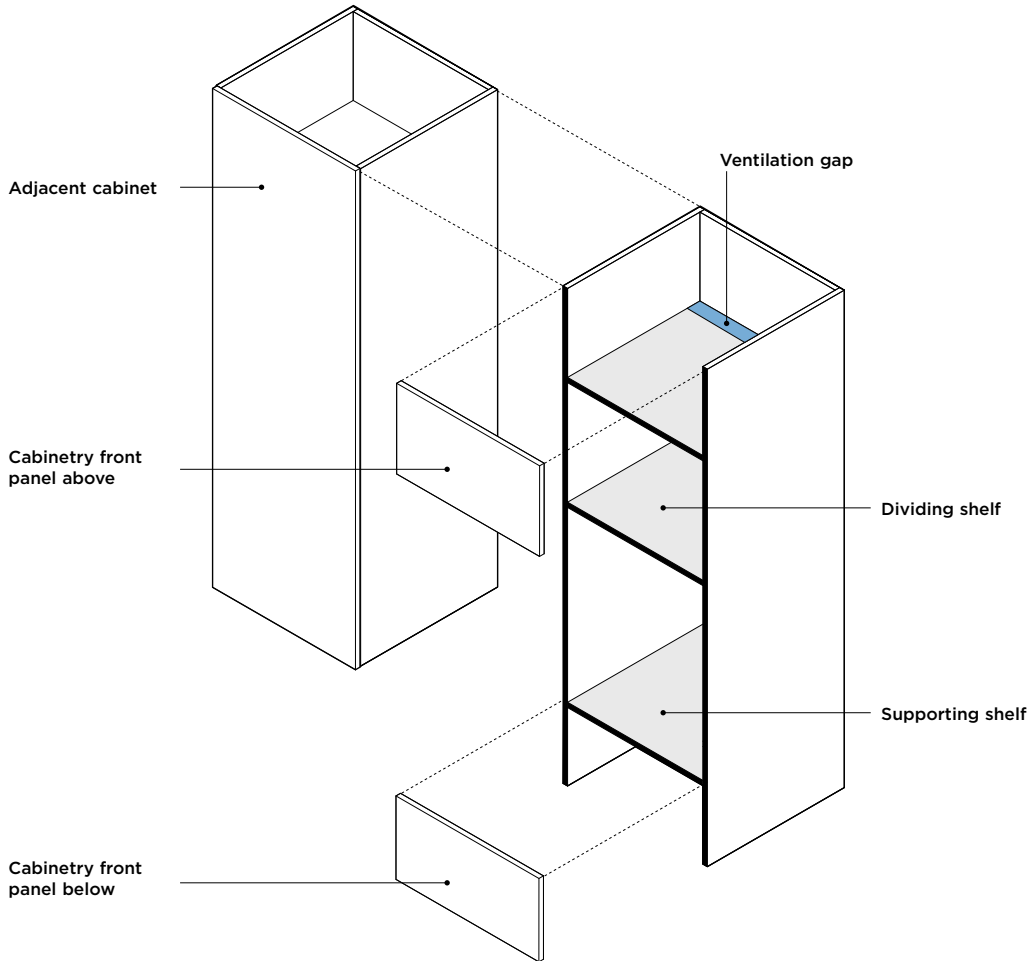
Black clashing is recommended on front facing edges where products are located and on side cabinets if cabinet is rebated.

**OVEN CABINETRY TRIM**

If using light-colored cabinets, we recommend using black cabinetry trim to help hide the cabinetry beneath the front door panel of the appliance. Ensure the trim height does not interfere with any appliances or cabinetry below. Black cabinetry trim is included with ovens.

**LEVEL CABINETRY**

Check the shelves are level and the side panels are straight.



The models shown in this Planning Guide may not be available in all markets and are subject to change at any time. Product specifications may vary from those shown. This Planning Guide should not be used as installation guidance for any product. Further information is required to safely and correctly install the products featured here. Specific installation guidance will be available on our website [fisherpaykel.com](http://fisherpaykel.com)

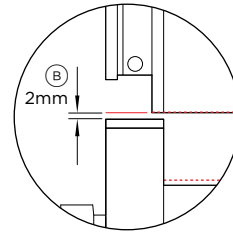
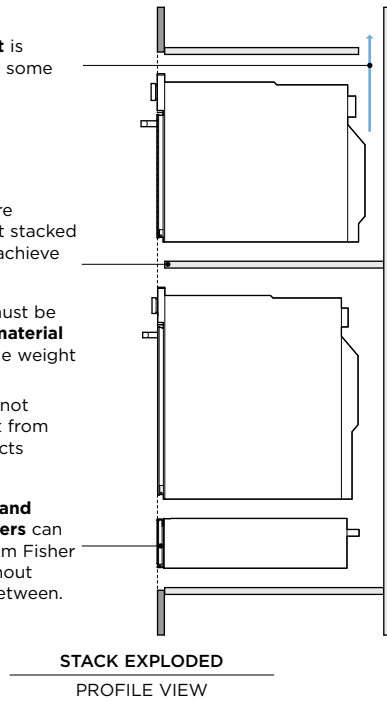
Ventilation air vent is required at rear for some products.

Dividing shelves are required to support stacked appliances and to achieve correct clearance.

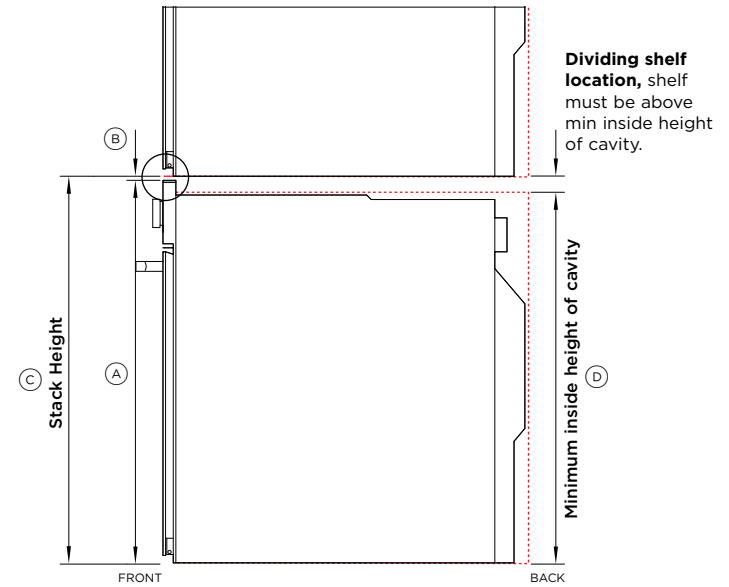
Dividing shelves must be constructed from material that will support the weight of the appliances.

Ensure the oven is not bearing any weight from cabinetry or products installed above.

Warming Drawers and Vacuum Seal Drawers can fully support a 60cm Fisher & Paykel oven, without adding a shelf in between.



Minimum clearances above appliance control panel to upper appliance

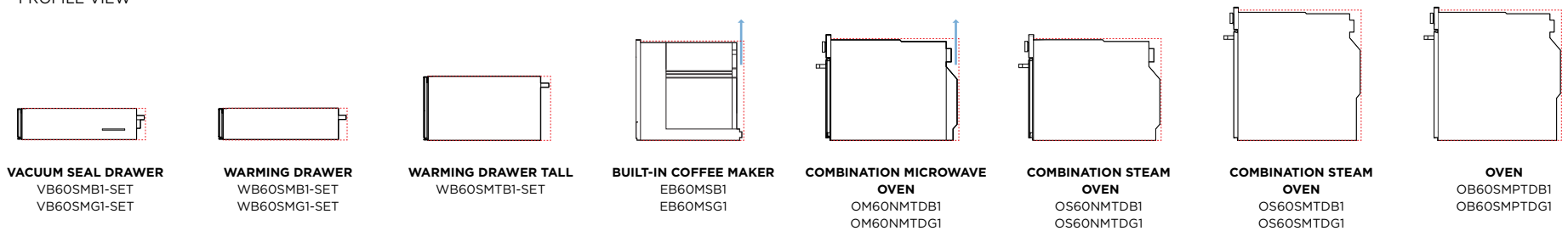


PRODUCT PROFILE VIEW

**STACK HEIGHT**

(A) Overall product height  
+  
(B) Minimum clearances above appliance control panel or front panel to upper appliance  
=  
(C) Stacked Height

**MINIMUM DIMENSION CLEARANCES**



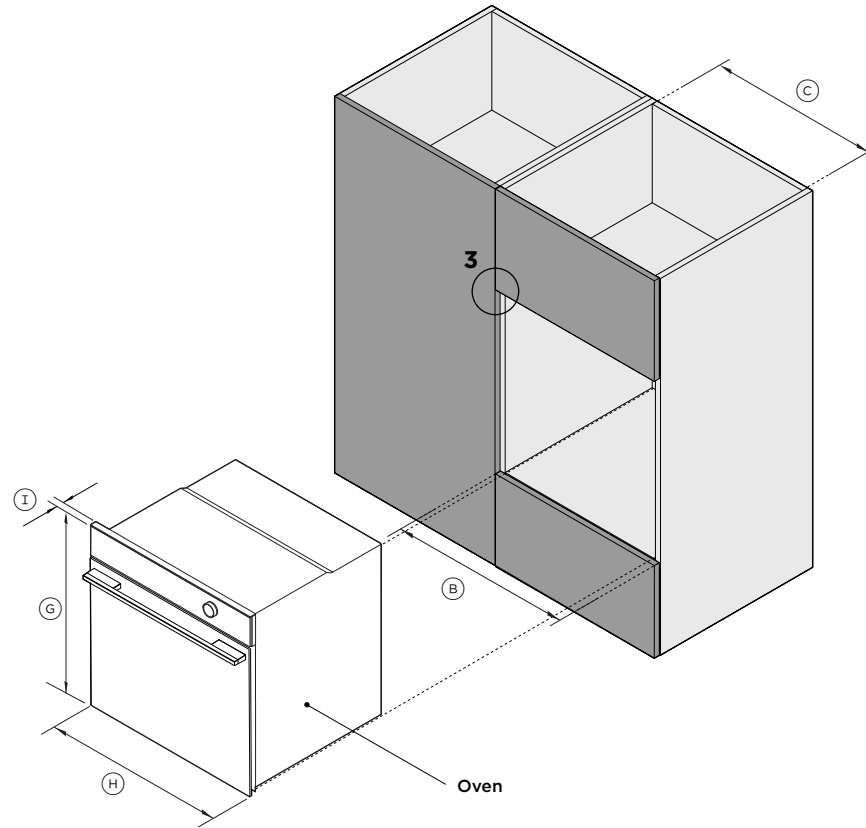
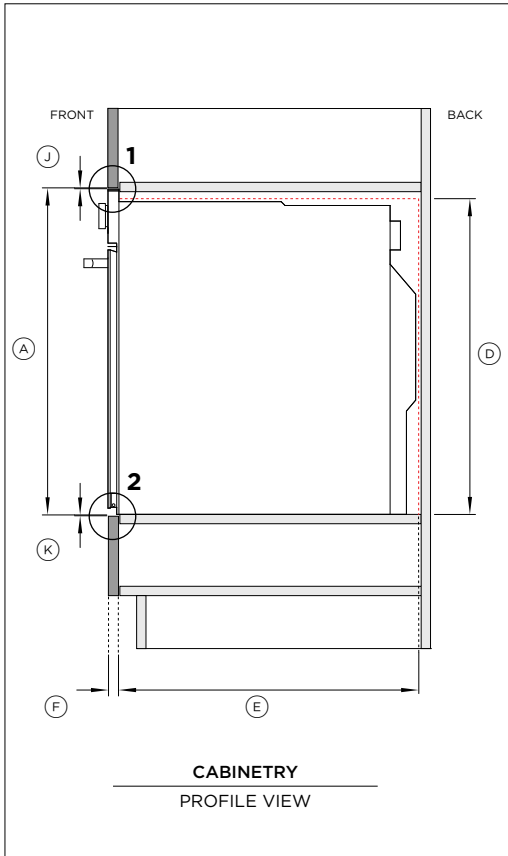
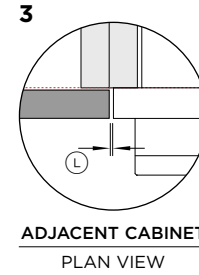
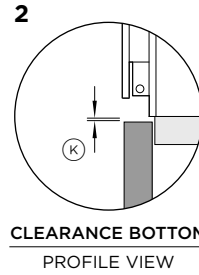
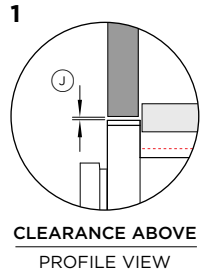
	VACUUM SEAL DRAWER VB60SMB1-SET VB60SMG1-SET	WARMING DRAWER WB60SMB1-SET WB60SMG1-SET	WARMING DRAWER TALL WB60SMTB1-SET	BUILT-IN COFFEE MAKER EB60MSB1 EB60MSG1	COMBINATION MICROWAVE OVEN OM60NMTDB1 OM60NMTDG1	COMBINATION STEAM OVEN OS60NMTDB1 OS60NMTDG1	COMBINATION STEAM OVEN OS60SMTDB1 OS60SMTDG1	OVEN OB60SMPTDB1 OB60SMPTDG1
<b>DIMENSIONS</b>								
(A) Overall product height	140mm	140mm	290mm	458mm***	458mm	458mm	598mm	598mm
(B) Minimum clearance above	-	-	-	2mm	2mm	2mm	2mm	2mm
(C) Stack height	140mm**	140mm**	290mm**	460mm*	460mm*	460mm*	600mm*	600mm*
(D) Minimum inside height of cavity	140mm	140mm	290mm	450mm	440mm	440mm	580mm	580mm

\*Stack Height is overall product height with minimum clearances above appliance control panel or front panel to upper appliance  
 \*\*Warming Drawers and Vacuum Seal Drawers can fully support a 60cm Fisher & Paykel oven, without adding a shelf in between.  
 \*\*\*Includes coffee maker rail height

The models shown in this Planning Guide may not be available in all markets and are subject to change at any time. Product specifications may vary from those shown. This Planning Guide should not be used as installation guidance for any product. Further information is required to safely and correctly install the products featured here. Specific installation guidance will be available on our website [fisherpaykel.com](http://fisherpaykel.com)

**COOKTOP CLEARANCE**

If installing a cooktop above the oven, ensure adequate clearance is provided for the cooktop as per the cooktop manufacturer's instructions.



**Model no:**  
Oven - OB60SMPTDB1, OB60SMPTDG1

<b>Cabinetry Dimensions - Flush</b>		<b>mm</b>
Ⓐ	Overall cabinet height*	600
Ⓑ	Overall cabinet width - single installation	600
Ⓒ	Minimum inside width of cavity	560
Ⓓ	Minimum inside height of cavity	580
Ⓔ	Minimum inside depth of cavity	550
Ⓕ	Thickness of cabinetry front panel**	16-20

\*Overall cabinet height is overall product height with minimum clearance above oven control panel to upper cabinetry front panel.  
\*\*Cabinetry shown in drawings 19mm panels.

Note: Consider placement of shelf above minimum inside height of cavity.

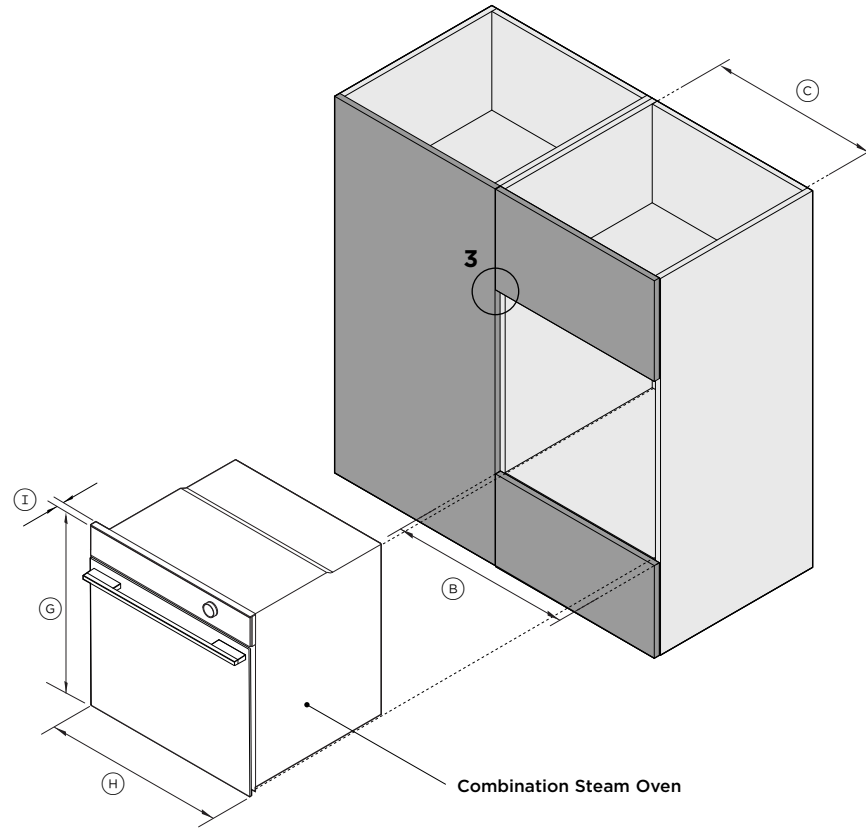
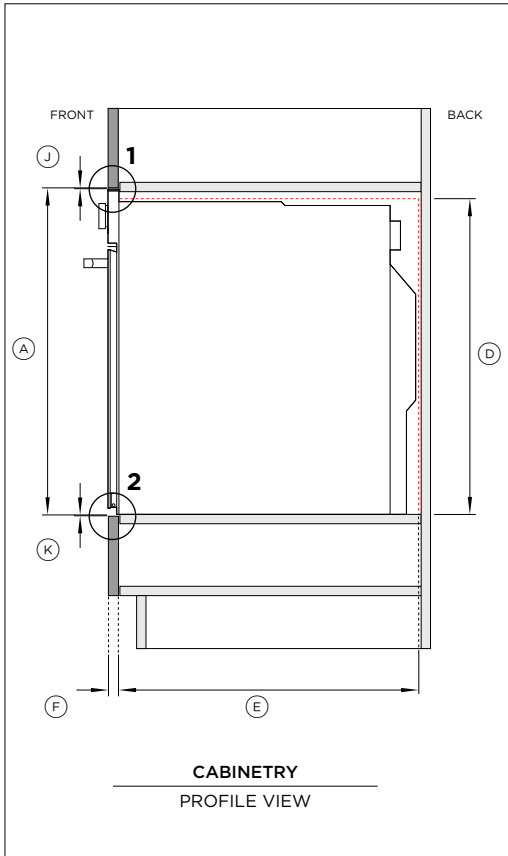
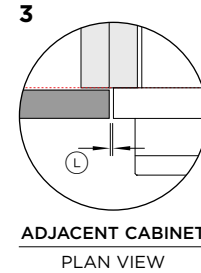
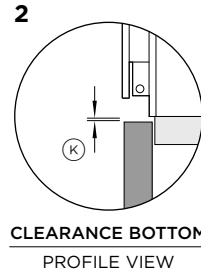
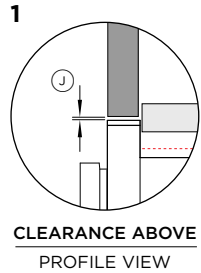
<b>Product Dimensions</b>		<b>mm</b>
Ⓖ	Overall height of product	598
Ⓗ	Overall width of product	596
Ⓘ	Thickness of oven front panel (excludes dial and handle)	20

<b>Cabinetry Clearances</b>		<b>mm</b>
⓵	Minimum clearances above oven control panel to upper cabinetry front panel	2
⓶	Minimum clearances between bottom of oven chassis to lower cabinetry front panel	2
⓷	Minimum clearance between adjacent front panel or appliance	2

The models shown in this Planning Guide may not be available in all markets and are subject to change at any time. Product specifications may vary from those shown. This Planning Guide should not be used as installation guidance for any product. Further information is required to safely and correctly install the products featured here. Specific installation guidance will be available on our website [fisherpaykel.com](http://fisherpaykel.com)

**COOKTOP CLEARANCE**

If installing a cooktop above the oven, ensure adequate clearance is provided for the cooktop as per the cooktop manufacturer's instructions.



**Model no:**  
Combination Steam Oven - OS60SMTDB1, OS60SMTDG1

<b>Cabinetry Dimensions - Flush</b>		<b>mm</b>
Ⓐ	Overall cabinet Height*	600
Ⓑ	Overall cabinet width - single installation	600
Ⓒ	Minimum inside width of cavity	560
Ⓓ	Minimum inside height of cavity	580
Ⓔ	Minimum inside depth of cavity	550
Ⓕ	Thickness of cabinetry front panel**	16-20

\*Overall cabinet height is overall product height with minimum clearance above oven control panel to upper cabinetry front panel.  
\*\*Cabinetry shown in drawings 19mm panels.

Note: Consider placement of shelf above minimum inside height of cavity.

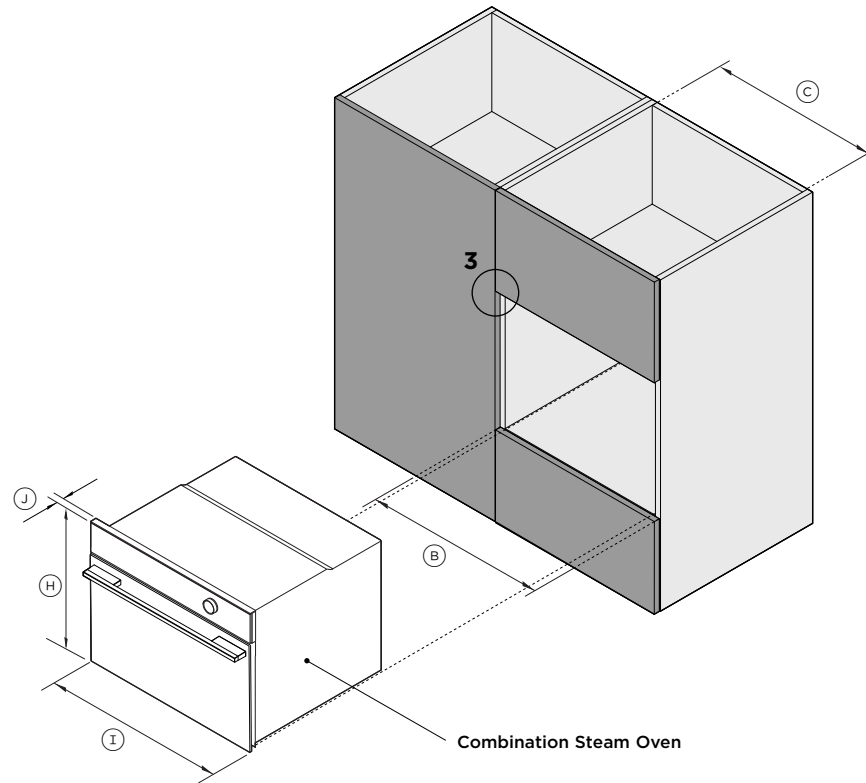
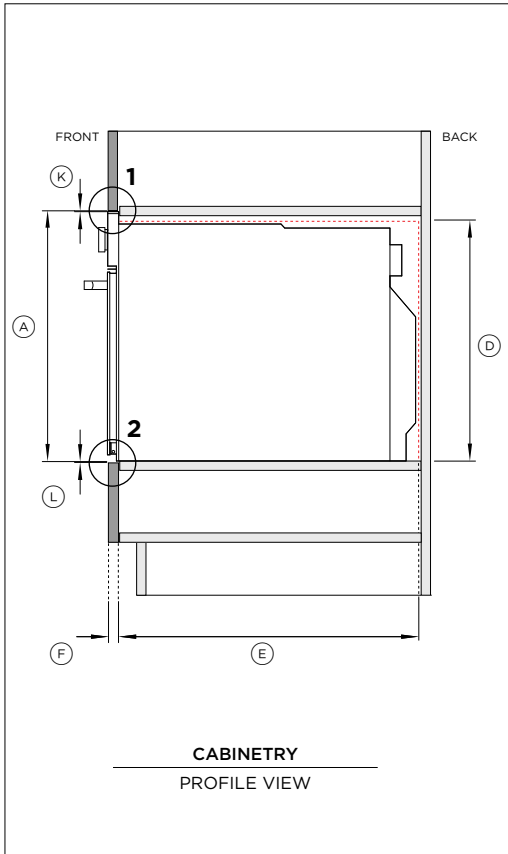
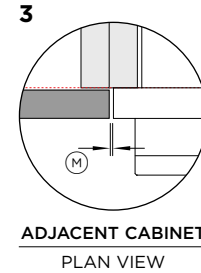
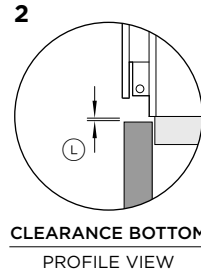
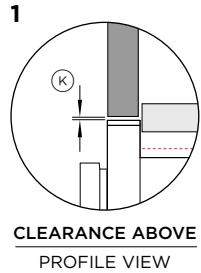
<b>Product Dimensions</b>		<b>mm</b>
Ⓖ	Overall height of product	598
Ⓗ	Overall width of product	596
Ⓘ	Thickness of oven front panel (excludes dial and handle)	20

<b>Cabinetry Clearances</b>		<b>mm</b>
⓵	Minimum clearances above oven control panel to upper cabinetry front panel	2
⓶	Minimum clearances between bottom of oven chassis to lower cabinetry front panel	2
⓷	Minimum clearance between adjacent front panel or appliance	2

The models shown in this Planning Guide may not be available in all markets and are subject to change at any time. Product specifications may vary from those shown. This Planning Guide should not be used as installation guidance for any product. Further information is required to safely and correctly install the products featured here. Specific installation guidance will be available on our website [fisherpaykel.com](http://fisherpaykel.com)

**COOKTOP CLEARANCE**

If installing a cooktop above the oven, ensure adequate clearance is provided for the cooktop as per the cooktop manufacturer's instructions.



**Model no:**

Combination Steam Oven - OS60NMTDB1, OS60NMTDG1

<b>Cabinetry Dimensions - Flush</b>		<b>mm</b>
Ⓐ	Overall cabinet height*	460
Ⓑ	Overall cabinet width - single installation	600
Ⓒ	Minimum inside width of cavity	560
Ⓓ	Minimum inside height of cavity	440
Ⓔ	Minimum inside depth of cavity	550
Ⓕ	Thickness of cabinetry front panel**	16-20

\*Overall cabinet height is overall product height with minimum clearance above oven control panel to upper cabinetry front panel.  
\*\*Cabinetry shown in drawings 19mm panels.

Note: Consider placement of shelf above minimum inside height of cavity.

<b>Product Dimensions</b>		<b>mm</b>
Ⓖ	Overall height of product	458
Ⓗ	Overall width of product	596
Ⓘ	Thickness of oven front panel (excludes dial and handle)	20

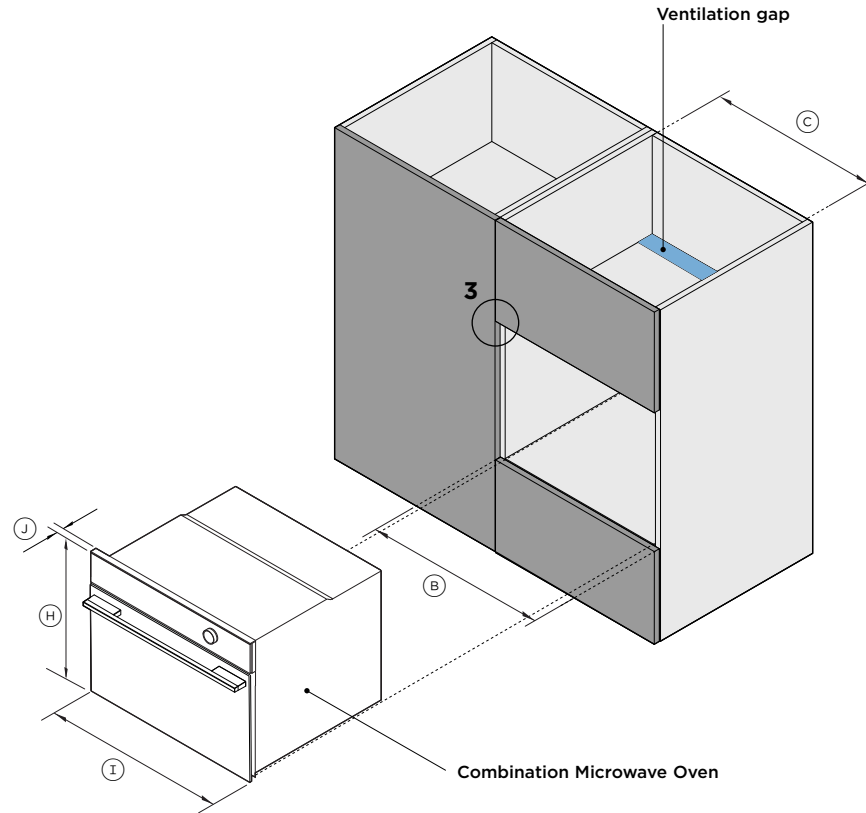
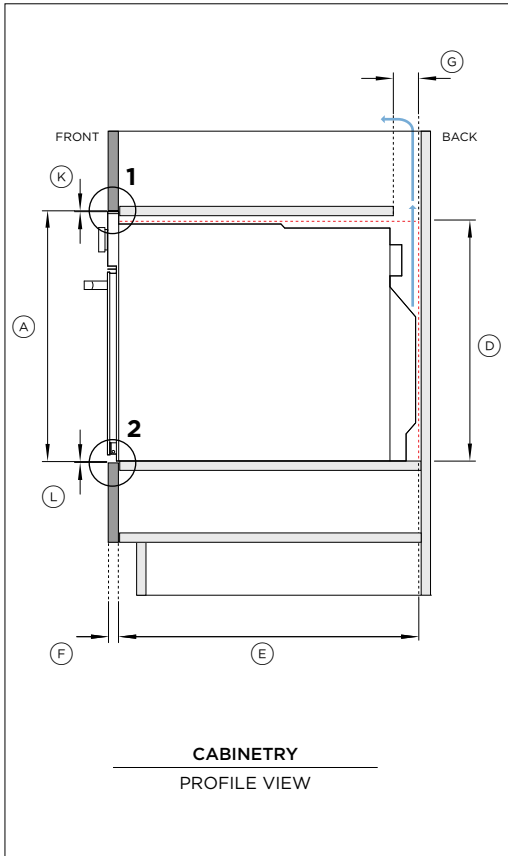
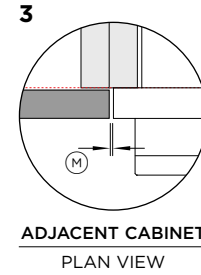
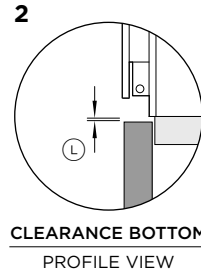
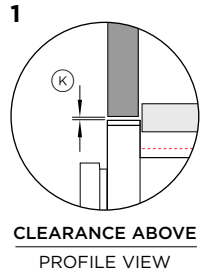
<b>Cabinetry Clearances</b>		<b>mm</b>
Ⓚ	Minimum clearances above oven control panel to upper cabinetry front panel	2
Ⓛ	Minimum clearances between bottom of oven chassis to lower cabinetry front panel	2
Ⓜ	Minimum clearance between adjacent front panel or appliance	2

The models shown in this Planning Guide may not be available in all markets and are subject to change at any time. Product specifications may vary from those shown. This Planning Guide should not be used as installation guidance for any product. Further information is required to safely and correctly install the products featured here. Specific installation guidance will be available on our website [fisherpaykel.com](http://fisherpaykel.com)



**VENTILATION**

Ventilation of 50mm x 560mm or totalling 280cm<sup>2</sup> is required. The air vent must be located at the rear of cabinet, it can be positioned at the base, top, sides, or back.



**Model no:**  
Combination Microwave Oven - OM60NMTDB1, OM60NMTDG1

Cabinetry Dimensions - Flush	mm
A Overall cabinet height*	460
B Overall cabinet width - single installation	600
C Minimum inside width of cavity	560
D Minimum inside height of cavity	440
E Minimum inside depth of cavity	550
F Thickness of cabinetry front panel**	16-20
G Ventilation gap***	50

\*Overall cabinet height is overall product height with minimum clearance above oven control panel to upper cabinetry front panel.  
\*\*Cabinetry shown in drawings 19mm panels.  
\*\*\*A rear ventilation air vent totalling 280cm<sup>2</sup> is required. The air vent must be located at the rear of the cabinet, it can be positioned at the base, sides, back or top of the cavity.

Note: Consider placement of shelf above minimum inside height of cavity.

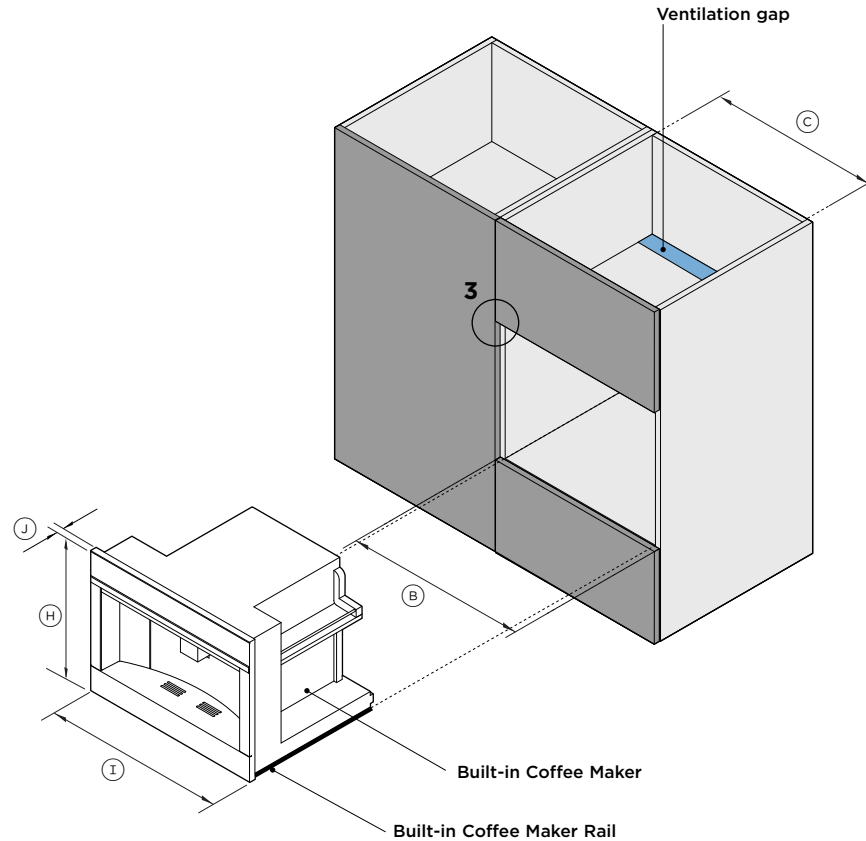
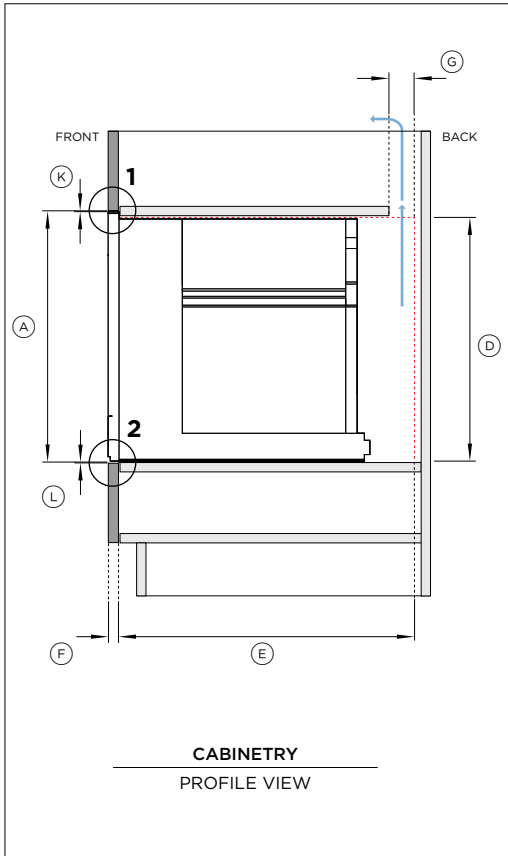
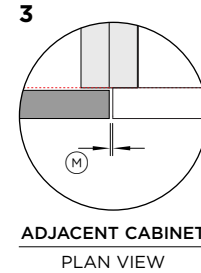
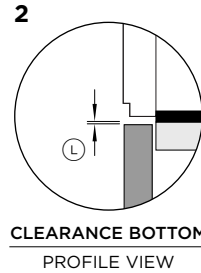
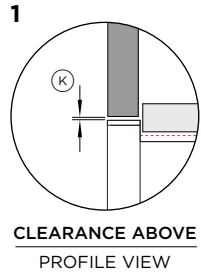
Product Dimensions	mm
H Overall height of product	458
I Overall width of product	596
J Thickness of oven front panel (excludes dial and handle)	20

Cabinetry Clearances	mm
K Minimum clearances above oven control panel to upper cabinetry front panel	2
L Minimum clearances between bottom of oven chassis to lower cabinetry front panel	2
M Minimum clearance between adjacent front panel or appliance	2

The models shown in this Planning Guide may not be available in all markets and are subject to change at any time. Product specifications may vary from those shown. This Planning Guide should not be used as installation guidance for any product. Further information is required to safely and correctly install the products featured here. Specific installation guidance will be available on our website fisherpaykel.com

**VENTILATION**

Ventilation of 50mm x 560mm or totalling 280cm<sup>2</sup> is required. The air vent must be located at the rear of cabinet, it can be positioned at the base, top, sides, or back.



**Model no:**  
Built-in Coffee Maker - EB60MSB1, EB60MSG1

<b>Cabinetry Dimensions - Flush</b>		<b>mm</b>
Ⓐ	Overall cabinet height*	460
Ⓑ	Overall cabinet width - single installation	600
Ⓒ	Minimum inside width of cavity**	560
Ⓓ	Minimum inside height of cavity	450
Ⓔ	Minimum inside depth of cavity	545
Ⓕ	Thickness of cabinetry front panel**	16-20
Ⓖ	Ventilation gap***	50

\*Overall cabinet height is overall product height with minimum clearance above coffee maker control panel to upper cabinetry front panel  
 \*\*Cabinetry shown in drawings 19mm panels.  
 \*\*\*A rear ventilation air vent totalling 280cm<sup>2</sup> is required. The air vent must be located at the rear of the cabinet, it can be positioned at the base, sides, back or top of the cavity.

Note: Consider placement of shelf above minimum inside height of cavity.

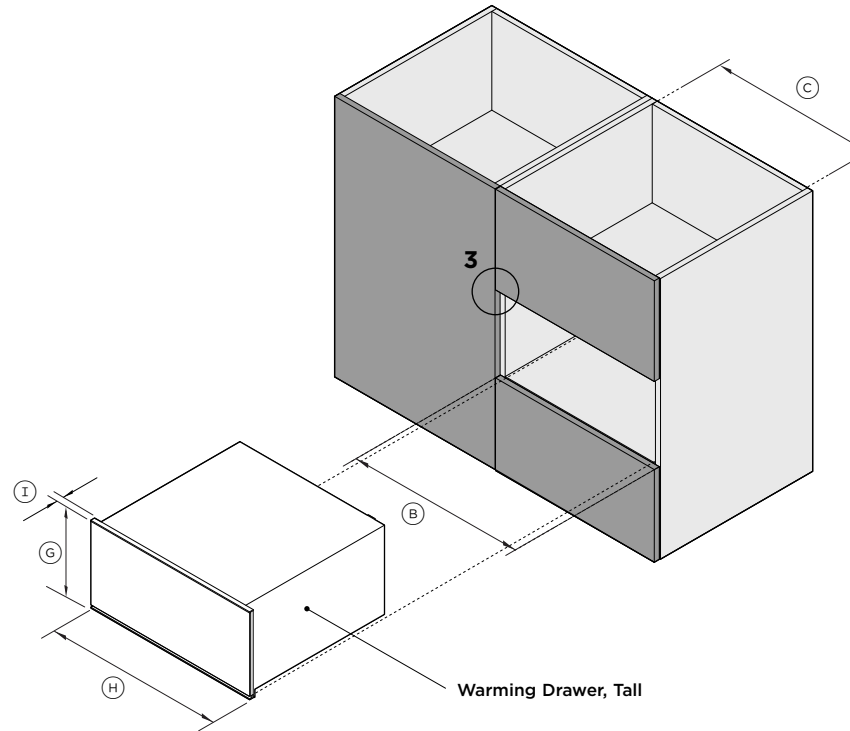
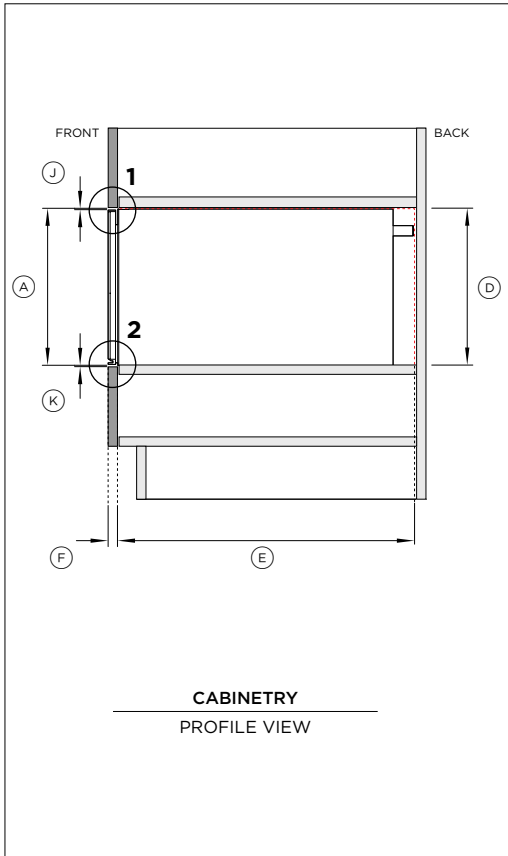
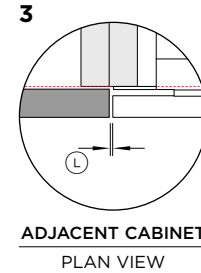
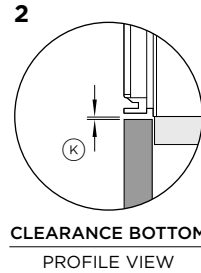
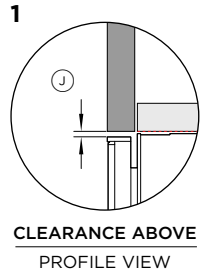
<b>Product Dimensions</b>		<b>mm</b>
Ⓗ	Overall height of product	458
Ⓘ	Overall width of product	596
Ⓙ	Thickness of coffee maker control panel	20

<b>Cabinetry Clearances</b>		<b>mm</b>
Ⓚ	Minimum clearances above coffee maker control panel to upper cabinetry front panel	2
Ⓛ	Minimum clearances between bottom of coffee maker rails to lower cabinetry front panel	2
Ⓜ	Minimum clearance between adjacent front panel or appliance	2

The models shown in this Planning Guide may not be available in all markets and are subject to change at any time. Product specifications may vary from those shown. This Planning Guide should not be used as installation guidance for any product. Further information is required to safely and correctly install the products featured here. Specific installation guidance will be available on our website [fisherpaykel.com](http://fisherpaykel.com)

**NOTE**

The Warming Drawer can fully support a 60cm Fisher & Paykel oven, without adding a shelf in between.



**Model no:**  
Warming Drawer, Tall - WB60SMTB1-SET

<b>Cabinetry Dimensions - Flush</b>		<b>mm</b>
Ⓐ	Overall cabinet height*	294
Ⓑ	Overall cabinet width - single installation	600
Ⓒ	Minimum inside width of cavity	560
Ⓓ	Minimum inside height of cavity	292
Ⓔ	Minimum inside depth of cavity	550
Ⓕ	Thickness of cabinetry front panel**	16-20

\*Overall cabinet height is overall product height with minimum clearance above drawer front panel to upper cabinetry front panel.  
\*\*Cabinetry shown in drawings 19mm panels.

Note: Consider placement of shelf above minimum inside height of cavity.

<b>Product Dimensions</b>		<b>mm</b>
Ⓒ	Overall height of product	290
Ⓓ	Overall width of product	596
Ⓕ	Thickness of warming drawer front panel and flange	20

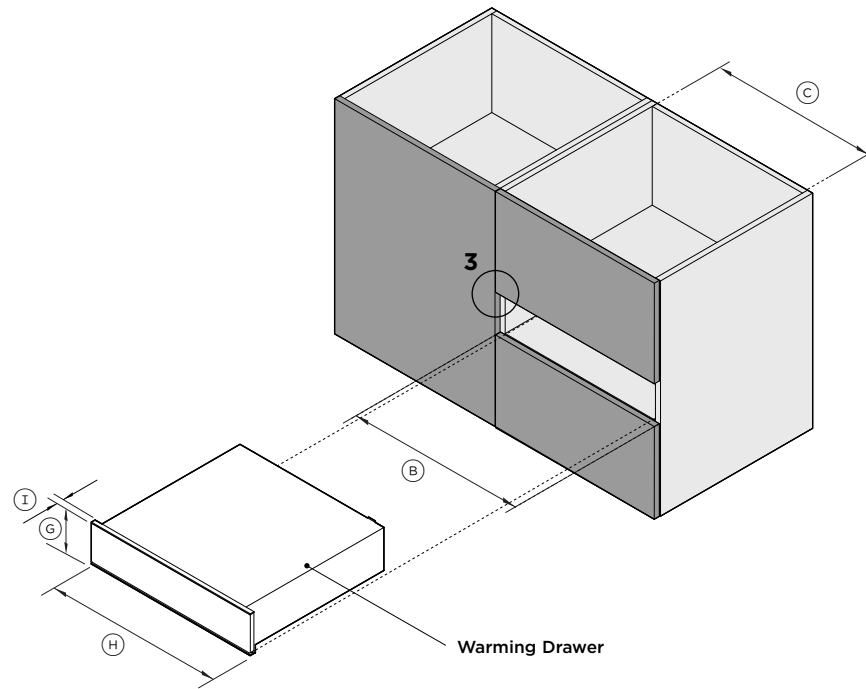
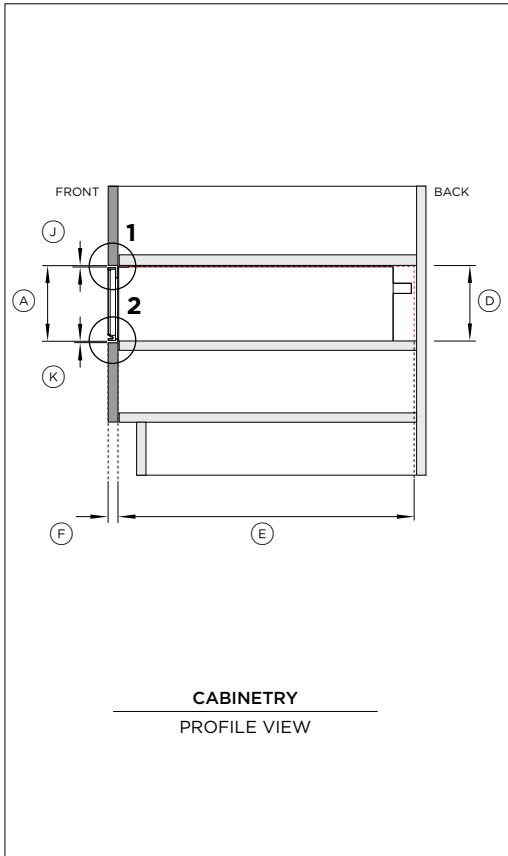
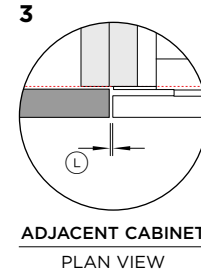
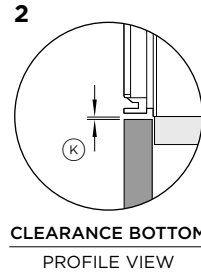
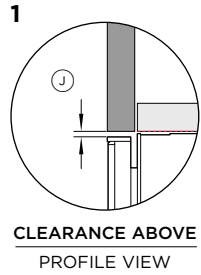
<b>Cabinetry Clearances</b>		<b>mm</b>
Ⓐ	Minimum clearances above drawer front panel to upper cabinetry front panel*	4
Ⓑ	Minimum clearances between bottom of drawer chassis to lower cabinetry front panel	2
Ⓒ	Minimum clearance between adjacent front panel or appliance	2

\*Achieve a smaller gap between drawer front panel to upper cabinetry front panel by dropping cabinetry front panel down

The models shown in this Planning Guide may not be available in all markets and are subject to change at any time. Product specifications may vary from those shown. This Planning Guide should not be used as installation guidance for any product. Further information is required to safely and correctly install the products featured here. Specific installation guidance will be available on our website [fisherpaykel.com](http://fisherpaykel.com)

**NOTE**

The Warming Drawer can fully support a 60cm Fisher & Paykel oven, without adding a shelf in between.



**Model no:**  
Warming Drawer - WB60SMB1-SET, WB60SMG1-SET

<b>Cabinetry Dimensions - Flush</b>		<b>mm</b>
Ⓐ	Overall cabinet height*	144
Ⓑ	Overall cabinet width - single installation	600
Ⓒ	Minimum inside width of cavity	560
Ⓓ	Minimum inside height of cavity	142
Ⓔ	Minimum inside depth of cavity	550
Ⓕ	Thickness of cabinetry front panel**	16-20

\*Overall cabinet height is overall product height with minimum clearance above drawer front panel to upper cabinetry front panel.  
\*\*Cabinetry shown in drawings 19mm panels.

Note: Consider placement of shelf above minimum inside height of cavity.

<b>Product Dimensions</b>		<b>mm</b>
Ⓒ	Overall height of product	140
Ⓓ	Overall width of product	596
Ⓕ	Thickness of warming drawer front panel and flange	20

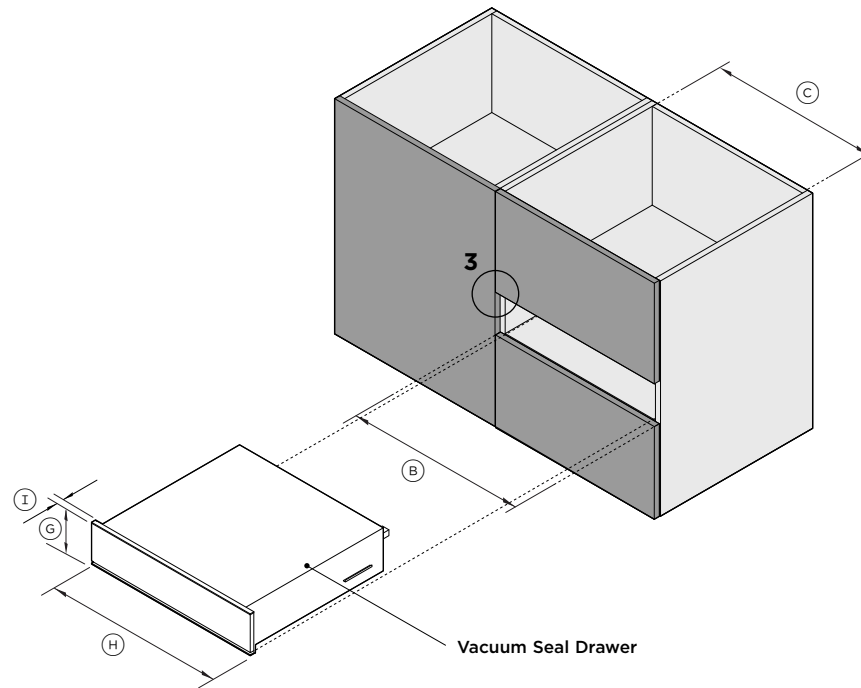
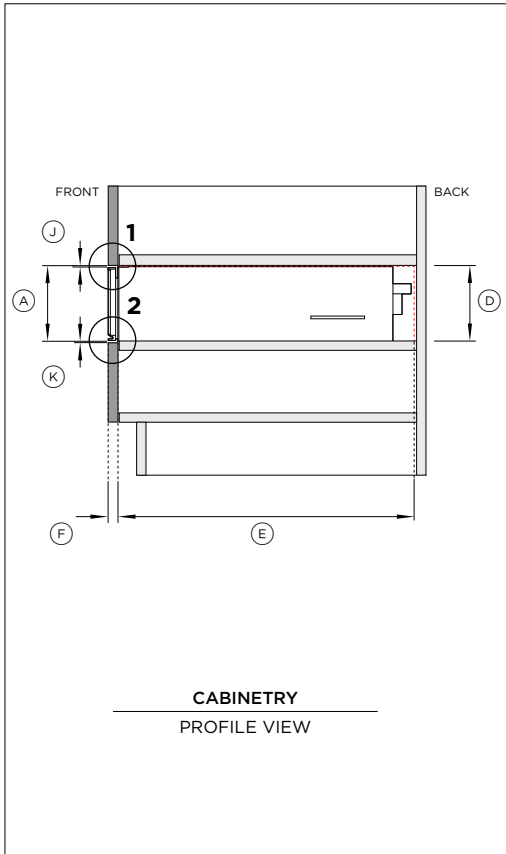
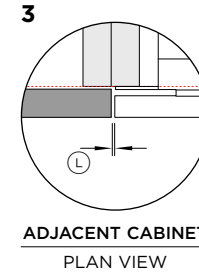
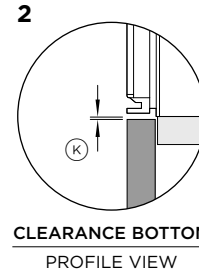
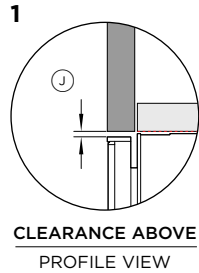
<b>Cabinetry Clearances</b>		<b>mm</b>
Ⓐ	Minimum clearances above drawer front panel to upper cabinetry front panel*	4
Ⓑ	Minimum clearances between bottom of drawer chassis to lower cabinetry front panel	2
Ⓒ	Minimum clearance between adjacent front panel or appliance	2

\*Achieve a smaller gap between drawer front panel to upper cabinetry front panel by dropping cabinetry front panel down

The models shown in this Planning Guide may not be available in all markets and are subject to change at any time. Product specifications may vary from those shown. This Planning Guide should not be used as installation guidance for any product. Further information is required to safely and correctly install the products featured here. Specific installation guidance will be available on our website [fisherpaykel.com](http://fisherpaykel.com)

**NOTE**

The Vacuum Seal Drawer can fully support a 60cm Fisher & Paykel oven, without adding a shelf in between.



**Model no:**  
Vacuum Seal Drawer - VB60SMB1-SET, VB60SMG1-SET

<b>Cabinetry Dimensions - Flush</b>	<b>mm</b>
Ⓐ Overall cabinet height*	144
Ⓑ Overall cabinet width - single installation	600
Ⓒ Minimum inside width of cavity	560
Ⓓ Minimum inside height of cavity	142
Ⓔ Minimum inside depth of cavity	550
Ⓕ Thickness of cabinetry front panel**	16-20

\*Overall cabinet height is overall product height with minimum clearance above drawer front panel to upper cabinetry front panel.  
\*\*Cabinetry shown in drawings 19mm panels.

Note: Consider placement of shelf above minimum inside height of cavity.

<b>Product Dimensions</b>	<b>mm</b>
Ⓒ Overall height of product	140
Ⓓ Overall width of product	596
Ⓘ Thickness of vacuum seal drawer front panel and flange	20

<b>Cabinetry Clearances</b>	<b>mm</b>
Ⓙ Minimum clearances above drawer front panel to upper cabinetry front panel*	4
Ⓚ Minimum clearances between bottom of drawer chassis to lower cabinetry front panel	2
Ⓛ Minimum clearance between adjacent front panel or appliance	2

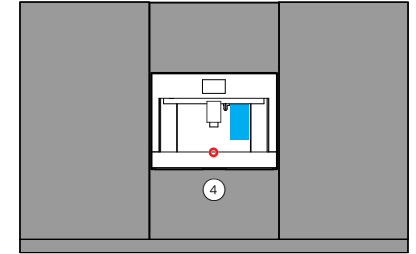
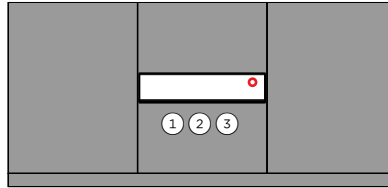
\*Achieve a smaller gap between drawer front panel to upper cabinetry front panel by dropping cabinetry front panel down

The models shown in this Planning Guide may not be available in all markets and are subject to change at any time. Product specifications may vary from those shown. This Planning Guide should not be used as installation guidance for any product. Further information is required to safely and correctly install the products featured here. Specific installation guidance will be available on our website [fisherpaykel.com](http://fisherpaykel.com)

## SERVICES

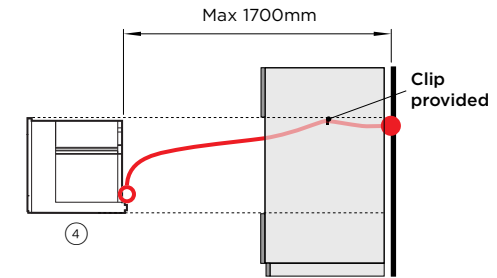
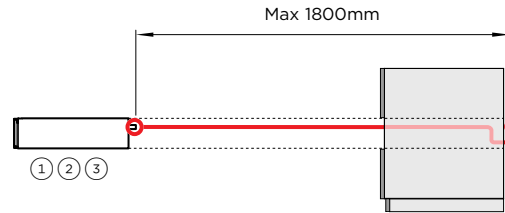
**CONNECTION**

Connections may be located in an adjacent cabinet to either side of the appliance. Ensure power will remain accessible following install to allow access for any future product maintenance.



**BUILT-IN COFFEE MAKER**

The power cable must be long enough to allow the appliance to be extracted from the cabinet to fill the coffee bean container. Fix the power cable with the clip.



- Power Cable
- Water Tank

① **VACUUM SEAL DRAWER**  
 VB60SMB1-SET  
 VB60SMG1-SET

② **WARMING DRAWER**  
 WB60SMB1-SET  
 WB60SMG1-SET

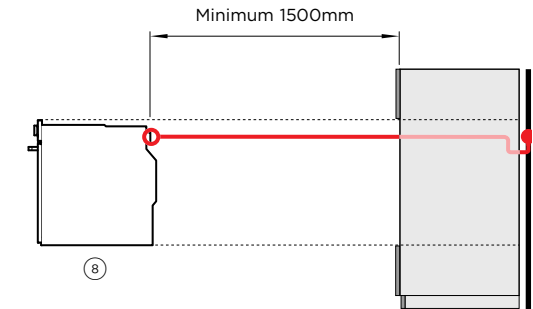
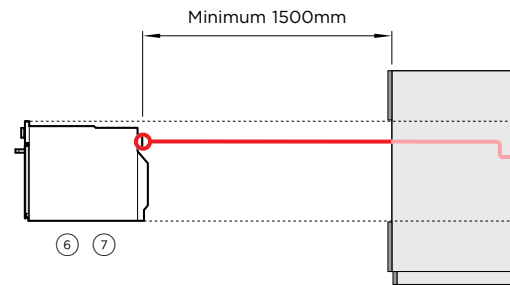
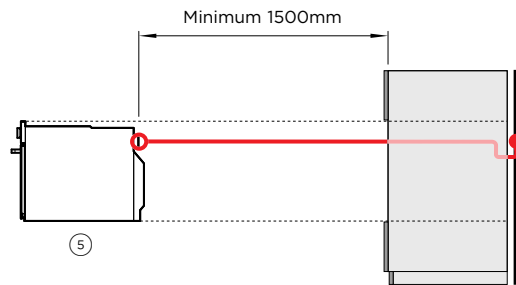
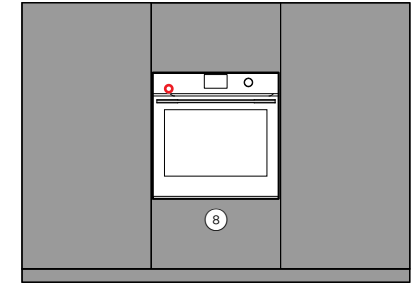
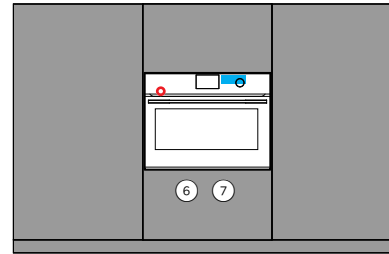
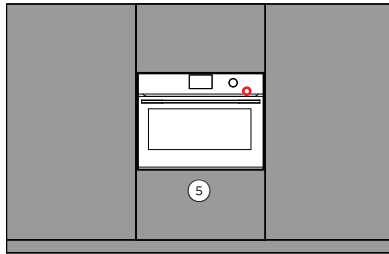
③ **WARMING DRAWER TALL**  
 WB60SMTB1-SET



④ **BUILT-IN COFFEE MAKER**  
 EB60MSB1  
 EB60MSG1

POWER CORD	① VACUUM SEAL DRAWER VB60SMB1-SET VB60SMG1-SET	② WARMING DRAWER WB60SMB1-SET WB60SMG1-SET	③ WARMING DRAWER TALL WB60SMTB1-SET	④ BUILT-IN COFFEE MAKER EB60MSB1 EB60MSG1
Maximum power cord length*	1800mm	1800mm	1800mm	1700mm
Location	Upper right	Upper right	Upper right	Lower centered
Connection	Flex cord	Flex cord	Flex cord	Flex cord
*Measured from power outlet				
WATER				
Total Capacity	-	-	-	2.4L
Location	-	-	-	Water tank (internal)
ELECTRICAL				
Supply	220-240 V, 50 Hz	220-240 V, 50 Hz	220-240 V, 50 Hz	220-240 V, 50 Hz
Service	10 A	10 A	10 A	20 A

Note: Multiple product installation requires the design of power outlets according to local regulations.

The models shown in this Planning Guide may not be available in all markets and are subject to change at any time. Product specifications may vary from those shown. This Planning Guide should not be used as installation guidance for any product. Further information is required to safely and correctly install the products featured here. Specific installation guidance will be available on our website [fisherpaykel.com](http://fisherpaykel.com)



 Power Cable  
 Water Tank

5 **COMBINATION MICROWAVE OVEN**  
 OM60NMTDB1  
 OM60NMTDG1

6 **COMBINATION STEAM OVEN**  
 OS60NMTDB1  
 OS60NMTDG1

7 **COMBINATION STEAMOVEN**  
 OS60SMTDB1  
 OS60SMTDG1

8 **OVEN**  
 OB60SMPTDB1  
 OB60SMPTDG1

**POWER CORD**

Power cord free length	Minimum 1500mm*	Minimum 1500mm*	Minimum 1500mm*	Minimum 1500mm*
Location	Upper right	Upper left	Upper left	Upper left
Connection	Hard wire**	Hard wire**	Hard wire**	Hard wire**

\*The electrician provides sufficient free length of power supply cable to reach from the bottom rear of the cavity to at least 1.5m in front of the bottom edge of the opening  
 \*\*For more information, refer to the Installation Guide. Ensure power will remain accessible following install to allow access for any future product maintenance.

**WATER**

Total Capacity	-	1.4L	1.4L	-
Location	-	Water tank (internal)	Water tank (internal)	-

**ELECTRICAL**

Supply	220-240 V, 50 Hz	220-240 V, 50 Hz	220-240 V, 50 Hz	220-240 V, 50 Hz
Service	20 A	20 A	20 A	20 A

Note: Multiple product installation requires the design of power outlets according to local regulations.

The models shown in this Planning Guide may not be available in all markets and are subject to change at any time. Product specifications may vary from those shown. This Planning Guide should not be used as installation guidance for any product. Further information is required to safely and correctly install the products featured here. Specific installation guidance will be available on our website [fisherpaykel.com](http://fisherpaykel.com)



