

# 4.5kg Series 3 Vented Dryer, Auto Sensing, Full Reverse Tumbling

Series 3 | Vented

White

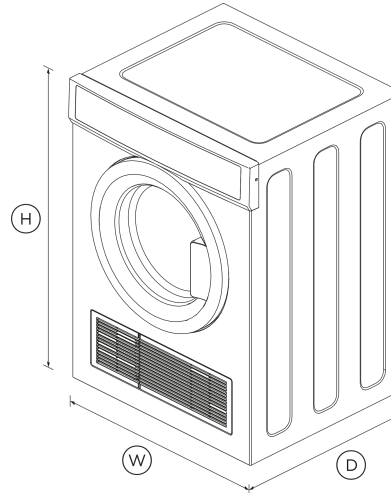


Dry your clothes efficiently, without overdrying, in this vented dryer that's perfect for smaller households.

- Autosensing detects moisture level to prevent under or over drying
- Four fabric care cycles including Delicate and Everyday
- Easy access and loading with a door that opens 180°

## DIMENSIONS

Height	830 mm
Width	600 mm
Depth	485 mm



## FEATURES & BENEFITS

### Auto-Sensing Technology

Auto-sensing prevents over-drying by sensing moisture levels inside the drum and shutting off automatically. This helps clothes last for longer and reduces energy consumption.

### Easy Loading

The robust dryer door features die cast metal hinges that open to a full 180° for easy access and loading.

## SPECIFICATIONS

### Capacity

Total capacity **4.5 kg**

### Consumption

Energy rating **2 star**

Energy usage **200kWh/year**

In-use energy carbon emissions estimate **130.3kgCO2e/year**

### Dry Cycles

Air Dry	•
Delicate	•
Everyday	•
Number of cycles	<b>4</b>
Time dry	•

### Features

Child/Keylock	•
Clean door lint filter reminder	•
Easy access lint filter	•
End of cycle signal	•
Progress indicator	•
Time to go	•

### Performance

Auto sensing	•
Choice of front or rear venting	•
Dryness settings	<b>5</b>

Reverse tumbling	•
Temperature settings	4

---

#### Product dimensions

Depth	485 mm
Height	830 mm
Width	600 mm

---

#### Warranty

Parts and labour	2 years
------------------	---------

---

SKU	92276
-----	-------

---

The product dimensions and specifications in this page apply to the specific product and model. Under our policy of continuous improvement, these dimensions and specifications may change at any time. You should therefore check with Fisher & Paykel's Customer Care Centre to ensure this page correctly describes the model currently available. © Fisher & Paykel Appliances Ltd 2020

#### Other product downloads available at [fisherpaykel.com](https://fisherpaykel.com)

- [↓ Service & Warranty](#)
- [↓ Installation Guide](#)
- [↓ User Guide](#)
- [↓ Installation Guide & User Guide Vented Clothes Dryer](#)

Where applicable:

All appliances use energy, and energy usage typically generates carbon emissions. **Fisher & Paykel Appliances' In-use Energy Carbon Emissions Estimate** indicates carbon emissions from a product's in-use energy. This is calculated either annually or per cycle, using the product's market-specific energy label energy consumption data multiplied by the carbon emissions factor for energy in your country or region.

Our In-use Energy Carbon Emissions Estimate is designed to assist customers in making informed purchasing decisions when comparing different Fisher & Paykel products. For example, a heat pump dryer typically has a lower In-use Energy Carbon Emissions Estimate than a vented dryer.



**A PEACE OF MIND SALE**  
**24 Hours 7 Days a Week Customer Support**  
 T 1300 650 590 [Wwww.fisherpaykel.com](https://www.fisherpaykel.com)