

60cm Series 5 Contemporary Oven, 7 Function

Series 5 | Contemporary

Stainless Steel

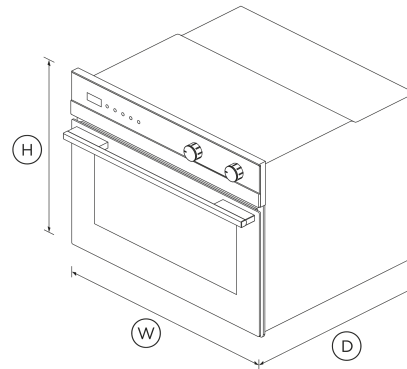


With contemporary styling and clean lines in glass and steel, this built-in oven complements the style and elegance of any modern kitchen.

- 55L total capacity
- Seven oven functions including Pastry Bake

DIMENSIONS

Height	458 mm
Width	597 mm
Depth	565 mm



FEATURES & BENEFITS

Complementary Design

All models in our Built-in Oven collection are finished in black reflective glass and stainless steel that blends elegant, minimalist aesthetic with design for durability. The finishes and handles match the rest of Fisher & Paykel's kitchen family, from Cooktops to Refrigerators, the CoolDrawer™ Multi-temperature Drawer and DishDrawer™ Dishwashers.

SPECIFICATIONS

Accessories (included)

Catalytic panels	•
Grill rack	1 set
Roasting dish	1
Step down wire shelf	1
Telescopic sliding runners	1 set

Capacity

Shelf positions	4
Total capacity	55 L
Usable capacity	45 L

Cleaning

- Acid resistant graphite enamel
- Drop down grill element
- Removable oven door inner glass
- Removable shelf runners

Controls

- Automatic cooking/minute timer
- Electronic capacitive touch controls
- Electronic clock
- Halogen lights

Functions

- Bake
- Classic bake
- Fan bake

Fan forced	•
Fan grill	•
Grill	•
Number of functions	7
Pastry Bake	•

SKU 81498

The product dimensions and specifications in this page apply to the specific product and model. Under our policy of continuous improvement, these dimensions and specifications may change at any time. You should therefore check with Fisher & Paykel's Customer Care Centre to ensure this page correctly describes the model currently available. © Fisher & Paykel Appliances Ltd 2020

Our In-use Energy Carbon Emissions Estimate is designed to assist customers in making informed purchasing decisions when comparing different Fisher & Paykel products. For example, a heat pump dryer typically has a lower In-use Energy Carbon Emissions Estimate than a vented dryer.



A PEACE OF MIND SALE
24 Hours 7 Days a Week Customer Support
 T 0800 372 273 W www.fisherpaykel.com

Performance

AeroTech™ technology	•
Grill power	3000 W
Whisper quiet cooking	•

Other product downloads available at fisherpaykel.com

- [↓](#) 2D-DWG Oven
- [↓](#) 2D-DXF Oven
- [↓](#) Archicad Oven
- [↓](#) Data Sheet Oven
- [↓](#) Service & Warranty
- [↓](#) Installation Guide Built-In Oven
- [↓](#) Revit Oven
- [↓](#) Rhino Oven
- [↓](#) Sketchup Oven
- [↓](#) User Guide Wall Oven

Power requirements

Amperage	15 A
----------	------

Where applicable:

All appliances use energy, and energy usage typically generates carbon emissions. **Fisher & Paykel Appliances' In-use Energy Carbon Emissions Estimate** indicates carbon emissions from a product's in-use energy. This is calculated either annually or per cycle, using the product's market-specific energy label energy consumption data multiplied by the carbon emissions factor for energy in your country or region.

Product dimensions

Depth	565 mm
Height	458 mm
Width	597 mm

Safety

Balanced oven door	•
CoolTouch door	•
Non-tip shelves	•

Warranty

Parts and labour	2 years
------------------	---------