

# **FISHER & PAYKEL**

## **MODULAR COOKTOP**

---

**FLUSH AND PROUD INSTALLATION**

**MULTIPLE PRODUCT WITH DOWNDRAFT VENTILATION**

CI905DTTB1, CI764DTTB1, CI604DTTB1, CI392DTTB1, CI392DB1,  
CI302DB1, CIT392DX1, CIT302DX1, CD13DB1, CD13DG1, CI905DTTG1,  
CI764DTTG1, CI604DTTG1, CI392DTTG1, CI392DG1 and CI302DG1  
models

**INSTALLATION GUIDE**

**UK IE EU**

**⚠ WARNING!**



**Electric Shock Hazard**

**Failure to follow this advice may result in electric shock or death.**

- Disconnect the appliance from the mains electricity supply before carrying out any work or maintenance.
- Connection to a good earth wiring system is essential and mandatory.
- Alterations to the domestic wiring system must only be made by a qualified electrician.

**⚠ WARNING!**



**Cut Hazard**

**Failure to use caution could result in injury.**

- Take care: some edges are sharp.

# SAFETY AND WARNINGS

---

## READ AND SAVE THIS GUIDE

### General Use

- Read these instructions carefully before installing this product.
- Save these instructions for the local electrical inspector's use.
- Installation must comply with your local building and local electricity regulations.
- This appliance is to be installed and serviced only by Fisher & Paykel trained and supported service technician or qualified person.
- The manufacturer accepts no responsibility for the incorrect installation of appliances. Incorrect installation may result in personal injury, damage to property and may invalidate any warranty or liability claims.
- Do not modify this appliance.
- Do not use or store flammable materials on or near this appliance.
- Packing elements (eg plastic bags, polystyrene foam, staples, packing straps etc) and tools should not be left around during and after installation, especially if they are within easy reach of children, as these may cause serious injuries.
- Make sure you recycle the packaging material.
- Before disposing of any appliance, make sure that it can no longer be used and that all hazardous parts are removed or made harmless, so that children playing with the old appliance cannot harm themselves.
- Only genuine replacement parts may be used for servicing the appliance. These are available from your nearest Fisher & Paykel Service Center.
- This cooktop must be connected to the mains power supply only by a suitably qualified person.
- DO NOT use adapters, reducers, or branching devices when connecting the cooktop to the mains power supply to prevent overheating and fire.
- The power supply cable must not touch any hot parts and must be positioned so that its temperature will not exceed 75°C at any point.
- This cooktop requires adequate supply of cool air to fully function. The base of the cooktop must have direct unrestricted ventilation to the room where the cooktop is installed. There must be a 4mm air gap at the front of the cooktop.
- Exhaust air must not be discharged into a flue that is used for exhausting appliances burning gas or other fuels.
- CAUTION: This appliance is not intended to be used with gas hobs.
- Refer to the Safety Guide supplied with your product for a complete list of warnings.

---

All imagery shown in this guide is representative. Your product may differ. Both flush and proud installations are possible. Refer to the planning guide for details.

## COMPONENTS REQUIRED

---

### Supplied: Induction Cooktop and Teppanyaki

- |  |  |
|--|--|
| <input type="checkbox"/> Communication cable (1) | <input type="checkbox"/> Clamp screws (4)                                  |
| <input type="checkbox"/> Shims (6)               | <input type="checkbox"/> Joiner kit (supplied with auxiliary modules only) |
| <input type="checkbox"/> T spacer (2)            |  |
| <input type="checkbox"/> Securing brackets (4)   |  |

### Supplied: Downdraft Ventilation

- |  |  |
|--|--|
| <input type="checkbox"/> Backing plate                             | <input type="checkbox"/> T spacer (2)          |
| <input type="checkbox"/> Outlet to suit 2.25" x 12" metal ducting* | <input type="checkbox"/> Securing brackets (4) |
| <input type="checkbox"/> Nuts                                      | <input type="checkbox"/> Clamp screws (4)      |
| <input type="checkbox"/> Washers                                   | <input type="checkbox"/> External blower       |
| <input type="checkbox"/> Shims (6)                                 | <input type="checkbox"/> Ducting               |

### Not supplied

- |   |   |
|---|---|
| <input type="checkbox"/> Silicone gun         | <input type="checkbox"/> Duct tape  |
| <input type="checkbox"/> Phillips screwdriver | <input type="checkbox"/> Black installations:<br>Black, matte finish silicone rated to 210°F (100°C) or above** |
| <input type="checkbox"/> Level                | <input type="checkbox"/> Grey installations:<br>Grey, matte finish silicone rated to 210°F (100°C) or above***  |
| <input type="checkbox"/> Box cutter           |   |
| <input type="checkbox"/> Router               |   |
| <input type="checkbox"/> Hex key              |   |
| <input type="checkbox"/> Spanner              |   |
| <input type="checkbox"/> Masking tape         |   |

\*Recommendation: Maxisil N30 Matte Black | \*\*Recommendation: Maxisil A13 Anthracite

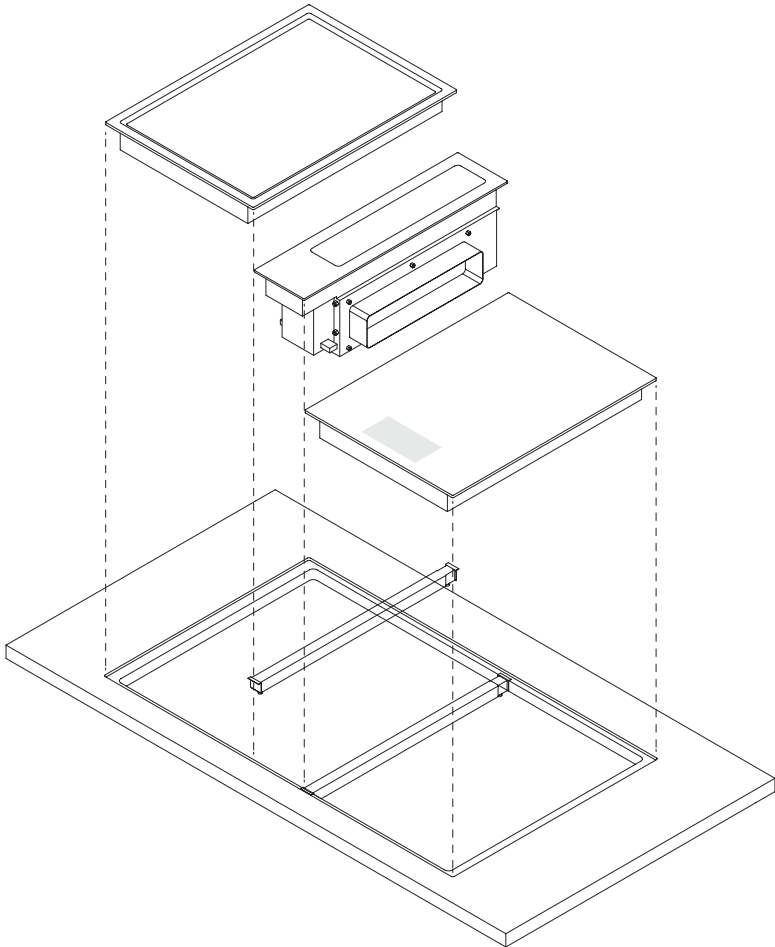
## ACCESSING YOUR PRODUCT SPECIFICATIONS

---



For full product, cabinetry and service specifications, refer to the Planning Guide. To access the Planning Guide, scan the QR code or visit [fisherpaykel.com/specify](https://fisherpaykel.com/specify). Search by appliance type, product name or model code.

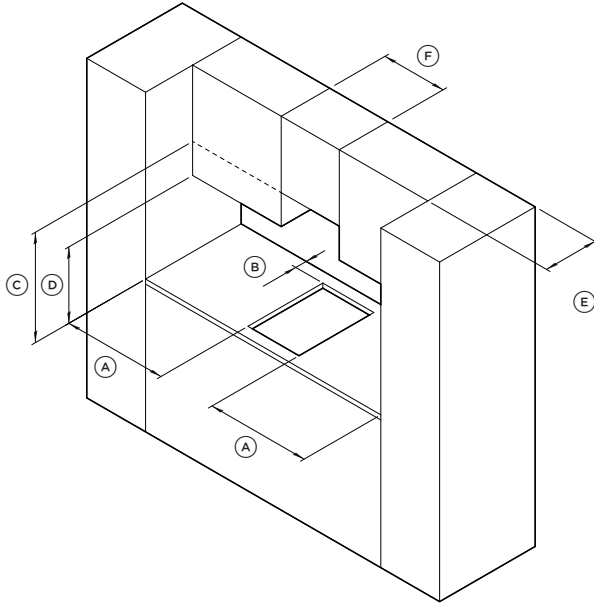
---



# CHECK CLEARANCES

## IMPORTANT NOTE

Ensure clearances are achieved for the product with the greater clearance requirements.



CABINERY CLEARANCE DIMENSIONS	INDUCTION AND TEPPANYAKI MODELS
	MM
(A) Minimum clearance from side edges of cutout to nearest combustable surface	29
(B) Minimum clearance from rear edge of cutout to nearest combustable surface	21
(C) Minimum clearance from benchtop to: Overhead cabinet centered above the cooktop (non combustable) Rangehood or downward facing combustable surface Overhead exhaust fan	500 610 610
(D) Minimum clearance from countertop to overhead cabinet not directly above cooktop	450
(E) Maximum depth of overhead cabinetry	330
(F) Minimum distance between overhead cabinets (not centered above cooktop)	combined cooktop width

# CHECK CLEARANCES

## VENTILATION OVERVIEW

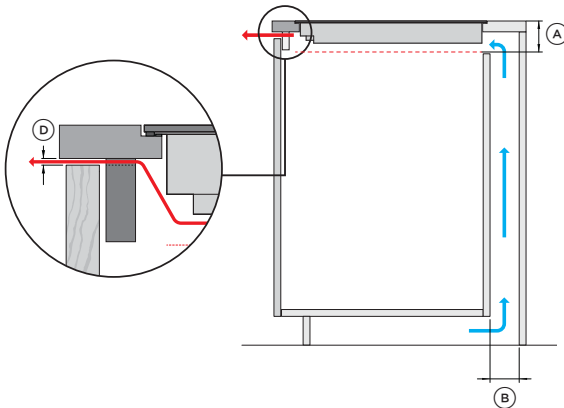
The Induction and Teppanyaki modules require ventilation to allow cooling of the electronic components within the chassis. When multiple products are installed their individual ventilation requirements must also be combined.

For detailed ventilation guidance, refer to the planning guide.

### VENTILATION OPTION 1

#### INTAKE VIA SERVICE CHANNEL

Air is drawn up from the kick cavity through service channel at rear of cabinetry. If cavities are sealed, ventilation holes in toe kick panel are required.



CLEARANCE REQUIREMENTS	mm
Ⓐ Clearance below chassis from top of cook surface	
- Induction	72
- Teppanyaki	86
- Gas on Glass	76

#### VENTILATION REQUIREMENTS

INTAKE at rear	mm	cm <sup>2</sup>
Ⓑ via service channel, min depth	20	-
Ⓒ through adjacent cabinets, per side wall*	2x Ø50	40

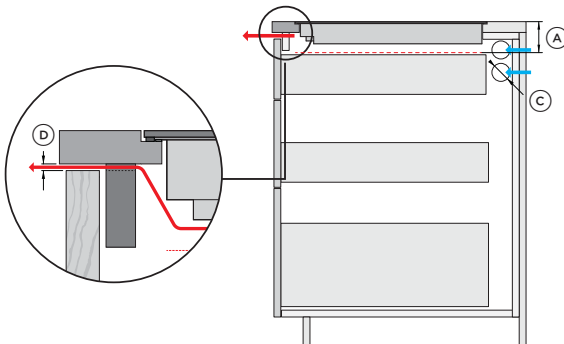
OUTLET at front*	w x h	cm <sup>2</sup>
Ⓓ 4mm gap along width of chassis		
30cm cook module	255 x 4	10
39cm cook module	340 x 4	14
60cm cook module	555 x 4	22
76cm cook module	715 x 4	30
90cm cook module	855 x 4	34

\* vents with equivalent-sized area possible. Must be positioned in front of product.

### VENTILATION OPTION 2

#### INTAKE VIA ADJACENT CABINETS

2x Ø50 holes are required in each side wall through to adjacent cabinets. Total of 4x holes required.



## PRIOR TO INSTALLATION

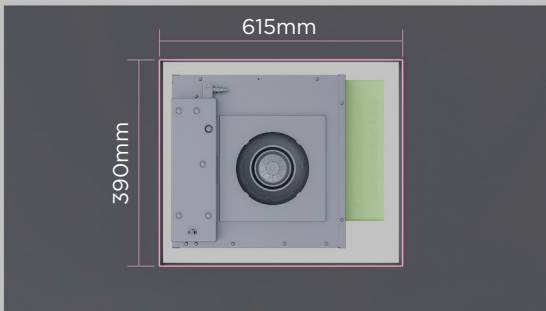
---



[fisherpaykel.com/specify](https://fisherpaykel.com/specify)

1. Ensure cabinetry and servicing specifications have been met and clearances have been considered.

Refer to the Planning Guide for details.



2. Create a 615x390mm cutout in the base of the cavity for the external blower.

Ensure cutout is oriented correctly for selected ducting option.

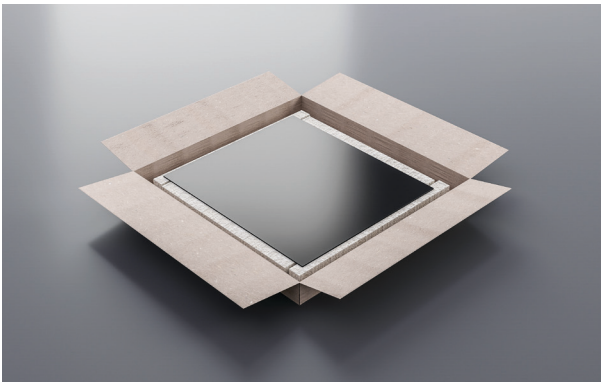


## UNPACK ALL PRODUCTS

---



1. Ensure all products and accessories are present.

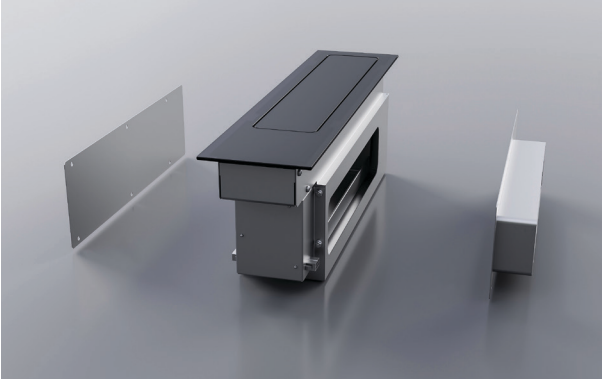


2. Carefully remove products from cartons. Set aside on a protected surface. Dispose of packaging responsibly.

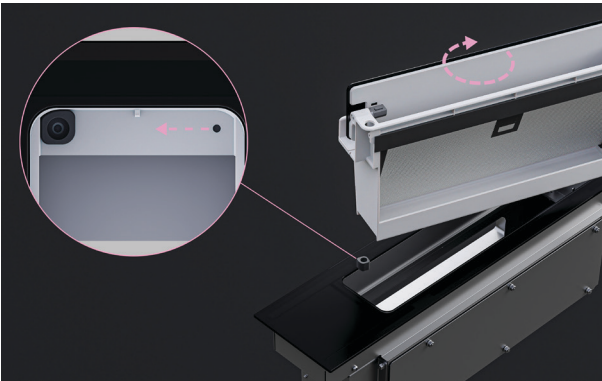


3. Test electrical connections of all products before proceeding with installation.

## PREPARE PRODUCTS



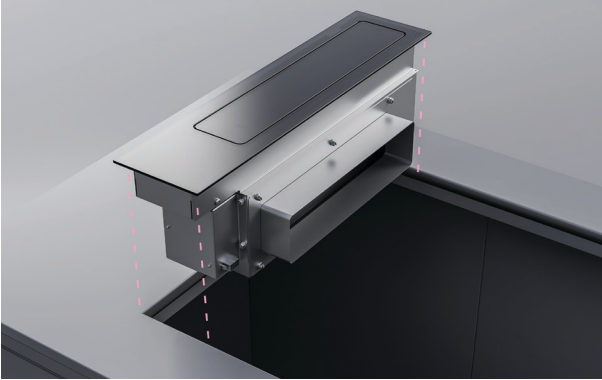
1. Remove foam tape backing before attaching the downdraft outlet and backing plate using the supplied nuts and washers. Ensure ducting orientation has been considered.



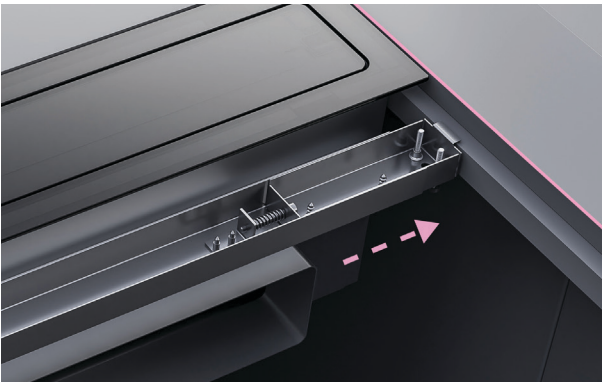
2. If required, lift the inner box out of the chassis. Remove both downdraft alignment guides and refit on the opposite side. Ensure the grease filter faces the outlet.

## INSTALL IN CUTOUT

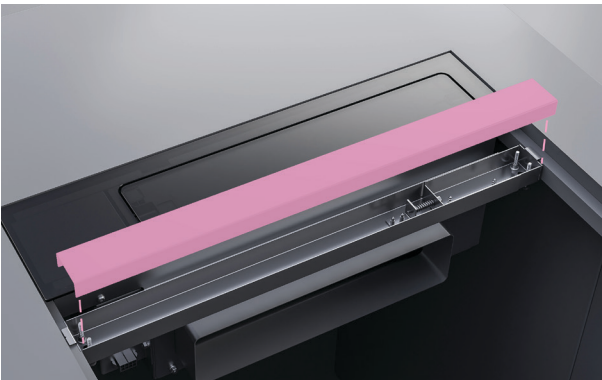
---



1. Gently lower the first product into the cutout.



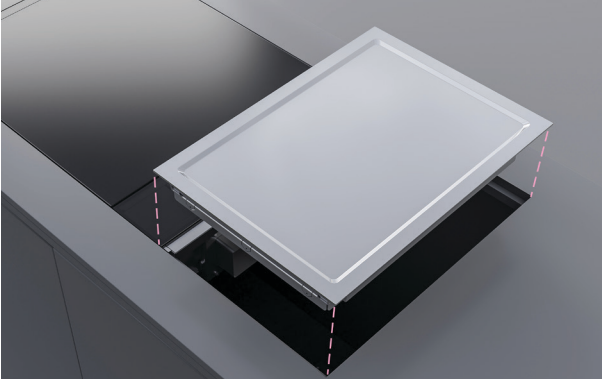
2. Align the rear of the joining bracket to the back edge of the cutout and slot into place..



3. Fit cover onto joining bracket before sliding it under the adjacent product.

## INSTALL IN CUTOUT

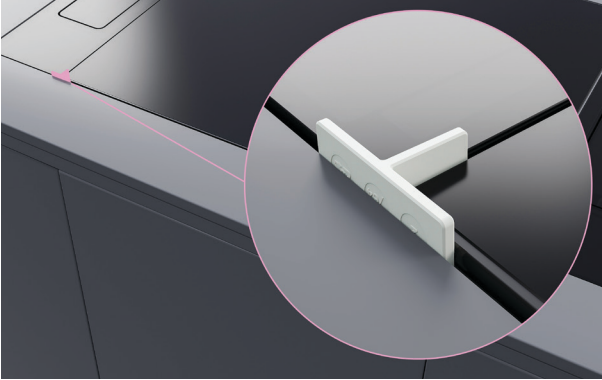
---



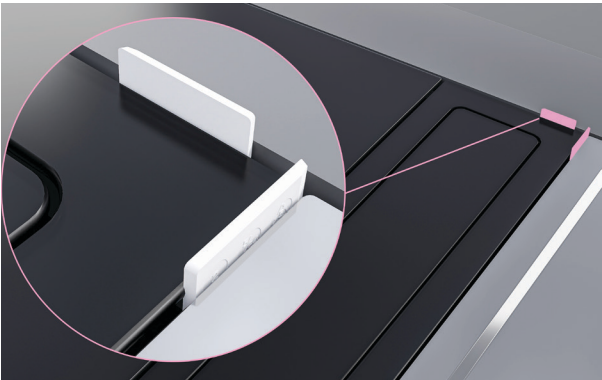
4. Gently lower additional products and joining strips into cutout as required.

## ALIGN PRODUCTS

---



1. Slot the T spacers between the products. Adjust positioning to ensure even spacing between products is achieved.



### 2. Flush installations:

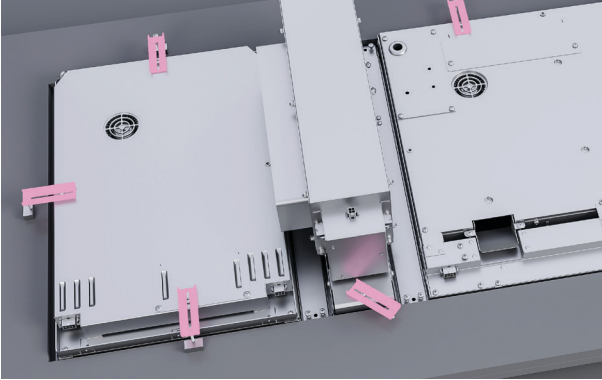
Place the shims around the outer edges of the cutout. Adjust positioning to ensure even spacing around the product set is achieved.



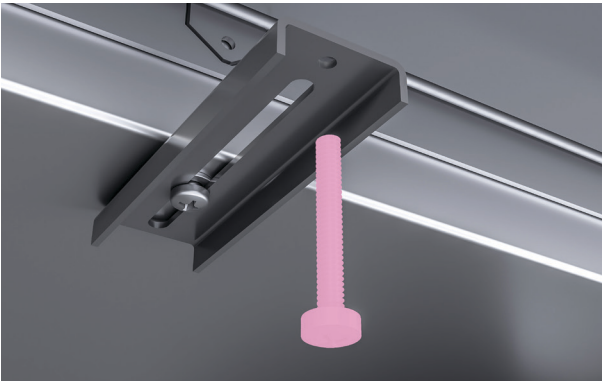
3. Place the shims on top of the product to gauge what thickness is required to create a level installation.

Slot the shims under the products to raise as needed.

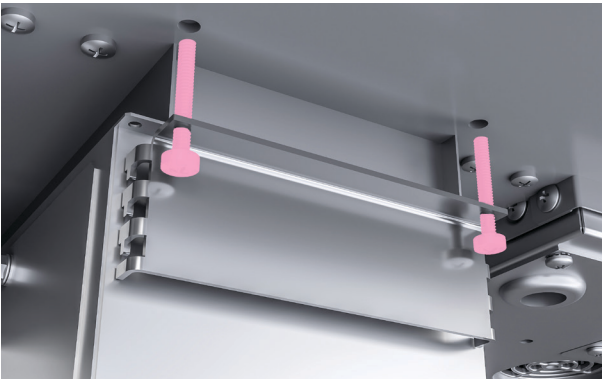
## SECURE TO CUTOUT



1. Fit the securing brackets to the base of each cooktop. A minimum of two brackets per cooktop is recommended.



2. Tighten all clamp screws to secure the cooktops to the cutout and joiner strips.



3. Tighten the front and rear clamping bracket screws to secure the downdraft to the cutout.

## CONNECT POWER

Before connecting to the mains power supply check that:

- The domestic wiring system is suitable for the power drawn by the cooktop.
- The voltage corresponds to the value given on the rating plate.
- The power supply cable sections can withstand the load specified on the rating plate.



[fisherpaykel.com/specify](https://fisherpaykel.com/specify)

Refer to the Planning Guide for full service information.

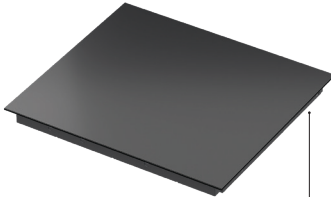
### RATING PLATE LOCATIONS

#### Downdraft Ventilation



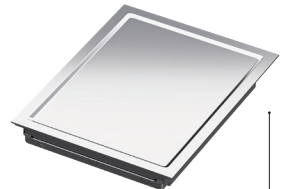
Right rear of product

#### Induction Cooktops



Right rear of product

#### Teppanyaki Cooktops



Right rear of product

## CONNECT POWER

### CI302, CI392, CIT302 AND CIT392 MODELS

#### Single-phase connection

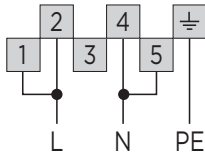
220 - 240V~

The models are supplied with a cable. This must be wired into a suitably rated plug, permanent connection outlet or power isolator.

### CI604 AND CI764 MODELS

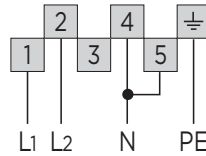
#### Single-phase connection

220 - 240V~



#### Two-phase connection

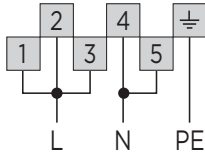
380 - 415V 2N~



### CI905 MODELS

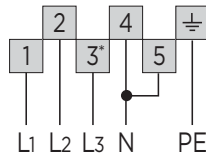
#### Single-phase connection

220 - 240V~



#### Three-phase connection

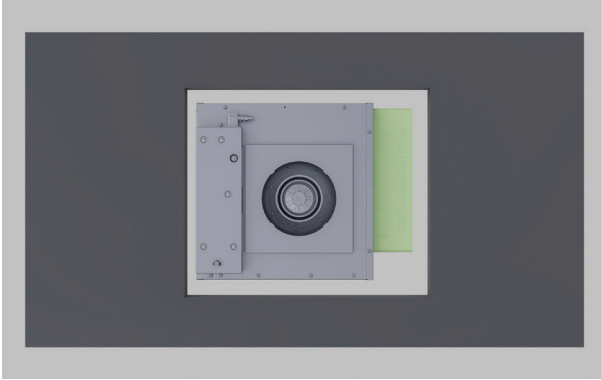
380 - 415V 3N~



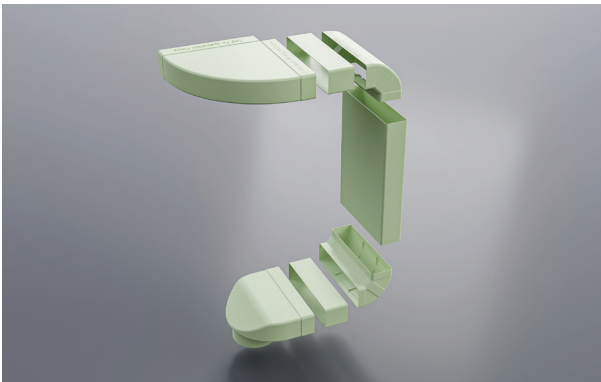


## INSTALL DUCTING

---

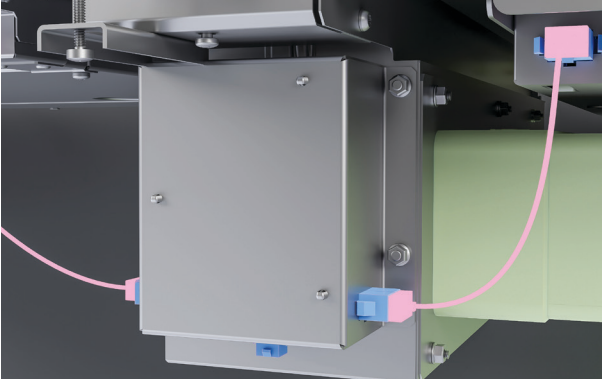


1. Place the external blower into the cutout and connect power cord.

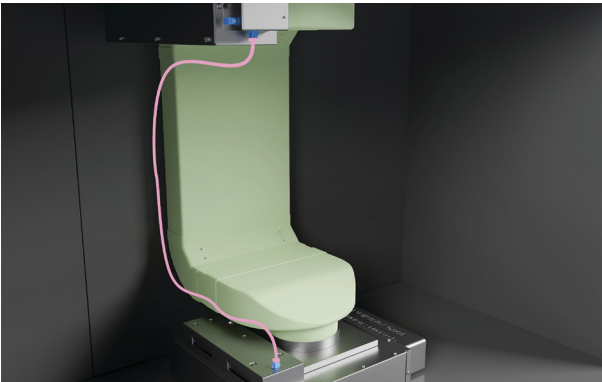


2. Cut ducting to required lengths and slot together. Secure and seal using duct tape.

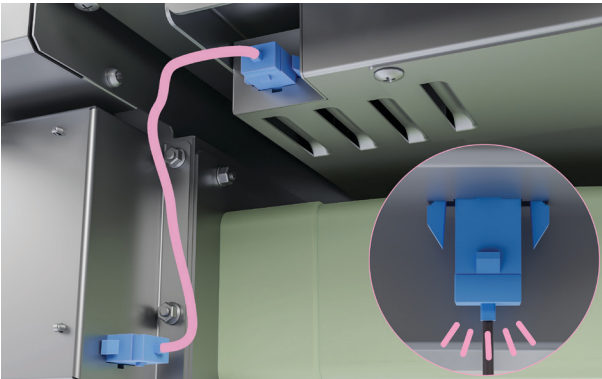
## LINK PRODUCTS



1. Link each product to the adjacent product using the supplied communication cables. Ensure 8-pin plugs are only connected to 8-pin sockets and 6-pin plugs connected to 6-pin sockets.



2. Connect the downdraft unit to the external blower via the central communication cable.



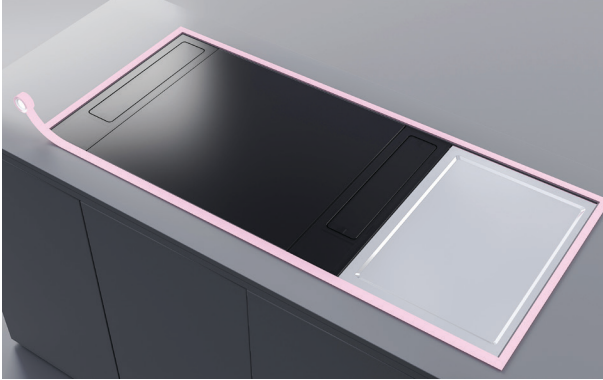
3. Ensure all cables click into place and are routed away from cooktop exhausts.

Secure to cabinetry using the supplied harness retainers.

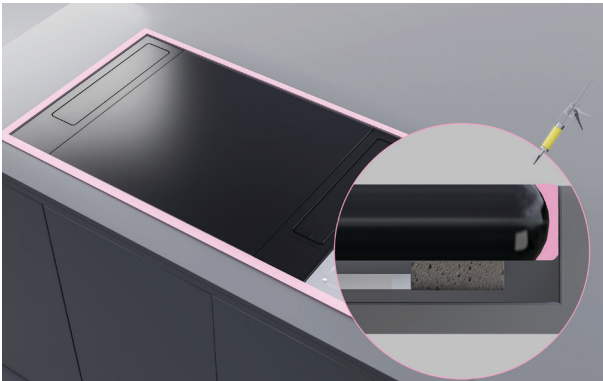
## SEAL PRODUCTS INTO CAVITY (FLUSH INSTALLATIONS)

---

Some silicone products may cause discoloration of the glass, in most cases this will fade as the silicone cures. Avoid applying too much silicon during installation.



**1.** Mask the area to be siliconed ensuring all products and the countertop are protected.



**2.** Carefully apply silicone in the gaps between the countertop and products.

Wipe away any excess silicone and remove mask once silicone has dried.

# INSTALLER CHECKLIST

---

## TO BE COMPLETED BY THE INSTALLER

### GENERAL

- Specified clearances have been maintained.
- Products are level - front to back and side to side.
- All packaging materials have been removed.
- There is constant flow of cool air from the cabinetry to the base of the products.
- Products have all been securely clamped.
- Communication cables are routed away from cooktop exhausts, secured to cabinetry and are unobstructed by drawers or other objects.
- Module layout configuration has been checked and confirmed.
- Touch controls and displays are functioning.
- Ducting has been secured and taped into place

### ELECTRICAL

- Receptacle with correctly rated over-current protection is provided for service cord connection.
- Adequate ground connection established.
- Power supply cable is accessible and is not touching the products.

**FISHERPAYKEL.COM**

© Fisher & Paykel Appliances 2024. All rights reserved.

The models shown in this guide may not be available in all markets  
and are subject to change at any time.

The product specifications in this guide apply to the specific products and  
models described at the date of issue. Under our policy of continuous product  
improvement, these specifications may change at any time.

For current details about model and specification availability in your country,  
please go to our website or contact your local Fisher & Paykel dealer.

**431314A 09.23**