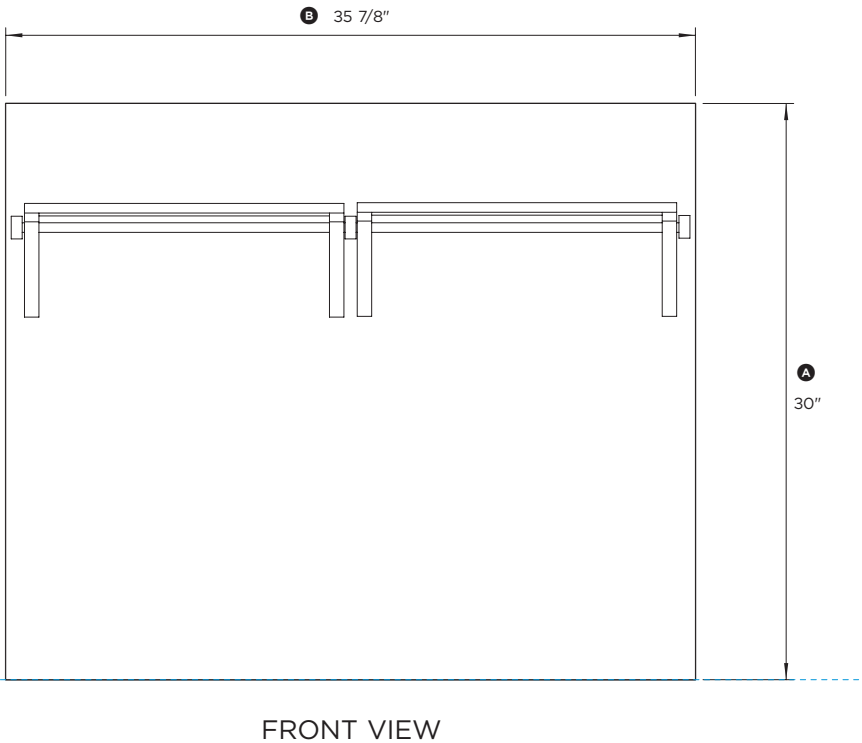
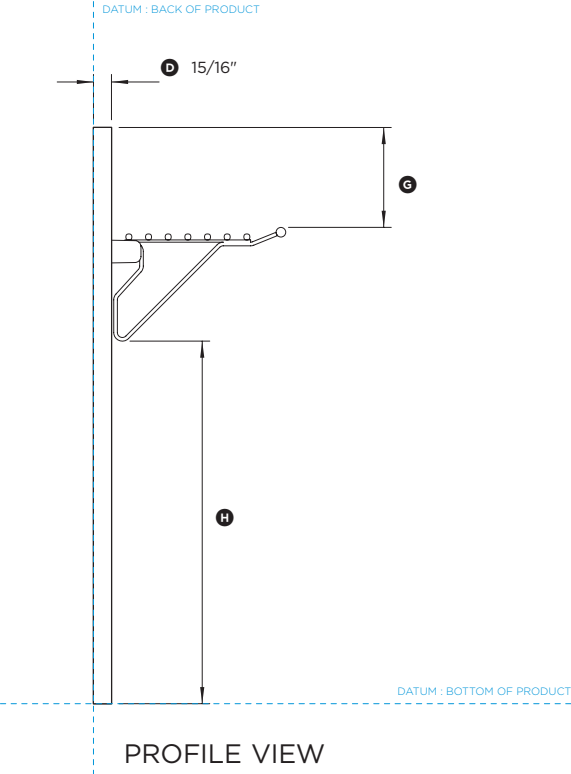
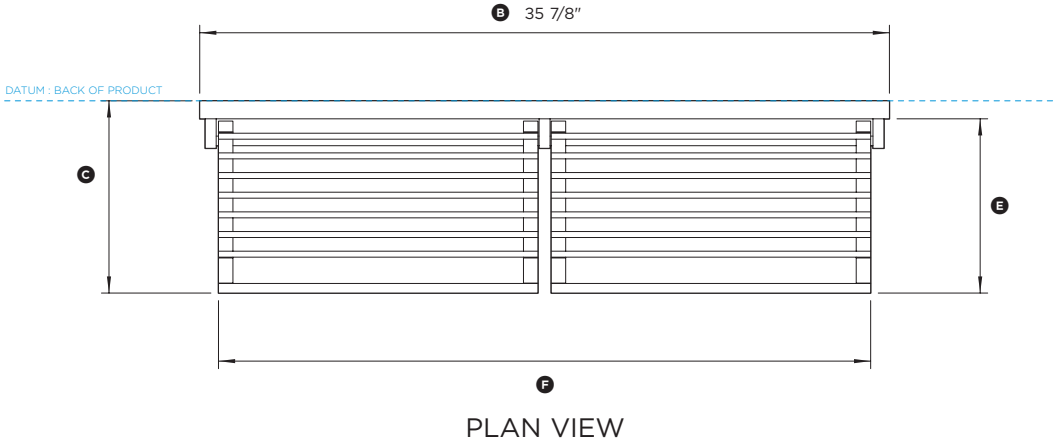
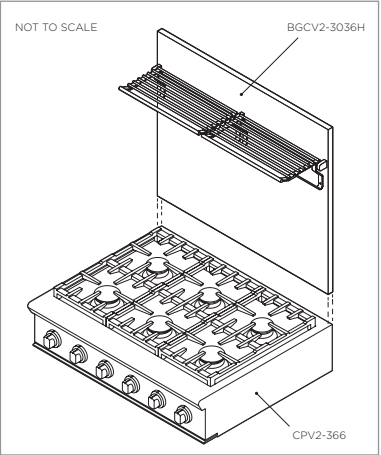


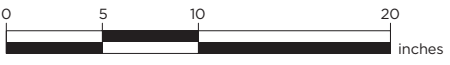
FISHER & PAYKEL

DATA SHEET 36" Professional Cooktop Backguard



Model no:
BGCV2-3036H
(refer page 2 for metric measurements)

Product Dimensions	in
Ⓐ Overall height of backguard	30"
Ⓑ Overall width of backguard	35 7/8"
Ⓒ Overall depth of backguard and racks	10"
Ⓓ Depth of backguard	15/16"
Ⓔ Depth of racks	9 1/16"
⓪ Width of racks	33 15/16"
⓫ Distance from top of backguard to top of racks	5 3/8"
⓬ Distance from bottom of backguard to bottom of racks	18 7/8"



DATE: **24.04.2018**

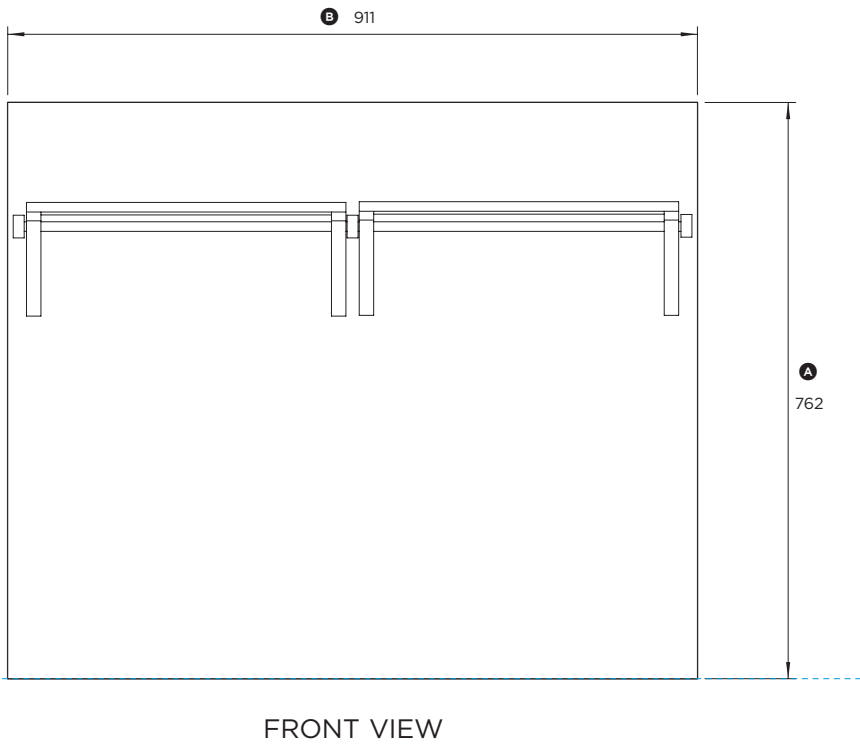
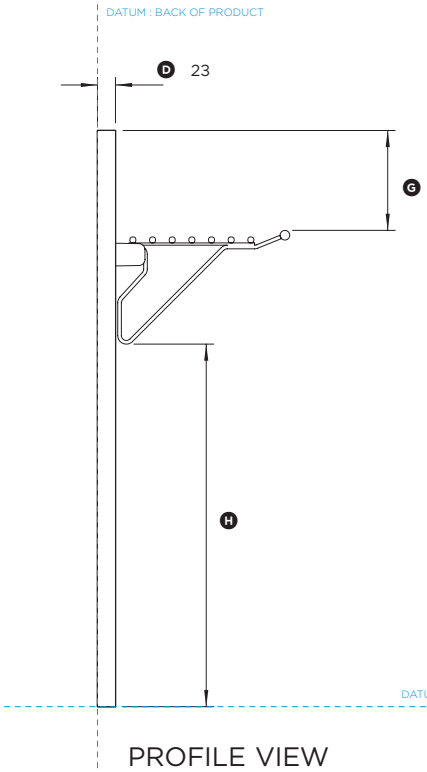
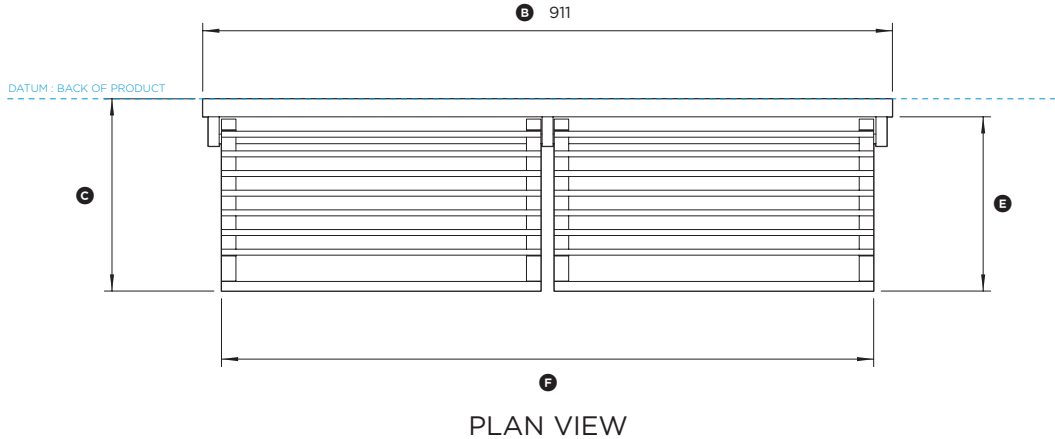
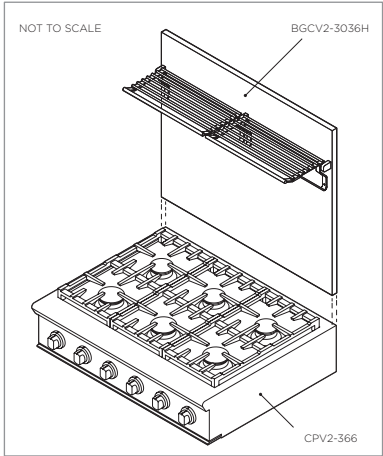
IMPORTANT: Throughout this guide, dimensions may vary by ±2mm (1/16"). Read the installation guide for detailed information on installing the product. For full installation instructions and specifications visit fisherpaykel.com

FISHER & PAYKEL

DATA SHEET 36" Professional Cooktop Backguard

Model no:
BGCV2-3036H
(refer page 1 for imperial measurements)

Product Dimensions	mm
Ⓐ Overall height of backguard	762
Ⓑ Overall width of backguard	911
Ⓒ Overall depth of backguard and racks	254
Ⓓ Depth of backguard	23
Ⓔ Depth of racks	230
Ⓕ Width of racks	862
Ⓖ Distance from top of backguard to top of racks	136
Ⓗ Distance from bottom of backguard to bottom of racks	480



DATE: **24.04.2018**

IMPORTANT: Throughout this guide, dimensions may vary by $\pm 2\text{mm}$ (1/16"). Read the installation guide for detailed information on installing the product. For full installation instructions and specifications visit fisherpaykel.com