

# Freestanding Refrigerator Freezer, 25", 13.5 cu ft, Ice

Series 5 | Contemporary

Stainless Steel | Left hinge

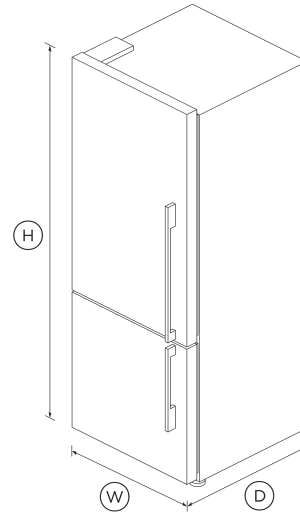


Combining stylish flush-fit design with quality materials, clever technology and generous storage, in timeless stainless steel.

- ActiveSmart™ Foodcare technology helps keep food fresher for longer
- Flat door that fits flush with cabinetry
- Brushed metal handles

## DIMENSIONS

Height	67 1/2 "
Width	25 "
Depth	27 3/8 "



## FEATURES & BENEFITS

### Activesmart™ Foodcare

This refrigerator freezer adapts to daily use by cooling and defrosting only when needed. ActiveSmart™ Foodcare technology uses energy efficiently without compromising on food care.

### Flexible Storage

Adjustable shelves and door storage give you plenty of room to stack and pack all your groceries. Storage bins give you full access inside when they're pulled open and can be easily removed to clean.

### Humidity Control

Your fruit and veges need different environments to stay fresh. Humidity control in each storage bin allows you to maintain a microclimate that helps keep food fresher for longer.

### Design Quality

Our fridges are designed and built using quality materials. We use real stainless steel on our fridges and solid glass for shelving.

### Internal Ice Maker

Fresh ice is always available for you in a dedicated freezer bin. Simply turn it off to free up freezer space or during busy times, you can boost ice production by up to 30%.

### Easy Cleaning

No more stubborn dirty marks with our EZKleen feature for stainless steel fridges. Anti-fingerprint coating means you simply wipe clean any marks. Spill-safe secure glass shelves easily capture any drips or leaks.

### Easy to use

The SmartTouch control panel has been designed to be intuitive for ease to use, and is conveniently placed near the front of the fridge.

## SPECIFICATIONS

### Accessories (sold separately)

Joiner Kit	819264
Surround Kit (Joined left/right pair)	Part number 24470
Water filter replacement	847200 - FWC3

### Capacity

Total gross capacity	<b>20.1 cu ft</b>
Volume freezer	<b>3.9 cu ft</b>
Volume refrigerator	<b>9.5 cu ft</b>

- Ice bin and scoop
- Ice Boost
- Large plastic bins
- Slide Out Pastry Tray

The product dimensions and specifications in this page apply to the specific product and model. Under our policy of continuous improvement, these dimensions and specifications may change at any time. You should therefore check with Fisher & Paykel's Customer Care Centre to ensure this page correctly describes the model currently available. © Fisher & Paykel Appliances Ltd 2020

**Consumption**

Energy rating	<b>Energy star</b>
Energy usage	<b>411kWh/year</b>
In-use energy carbon emissions estimate	<b>50.7kgCO2e/year</b>

**Performance**

- ActiveSmart™ Foodcare
- Adaptive defrost
- Frost free freezer
- Humidity control system
- Sabbath mode

**Other product downloads available at fisherpaykel.com**

- [↓ Energy Label](#)
- [↓ Service & Warranty](#)
- [↓ Water Filter Replacement Instructions & Installation Guide EN](#)
- [↓ Installation Guide - Joiner Kit EN](#)
- [↓ Guide d'installation - Instructions de Remplacement du Filtre à Eau FR](#)
- [↓ Guide d'installation - kit de menuisier FR](#)
- [↓ Installation Guide](#)
- [↓ Guide d'utilisation FR](#)
- [↓ User Guide](#)
- [↓ Guide d'utilisation FR](#)
- [↓ Guide d'utilisation FR](#)
- [↓ Installation & User Guide ActiveSmart Refrigerator EN](#)
- [↓ Guide d'installation et guide d'utilisation FR](#)

**Features**

Adjustable door shelves	<b>14</b>
Adjustable glass shelves	<b>4</b>
Covered door shelves	<b>2</b>
Door alarm	<b>•</b>
Front levelling feet	<b>•</b>
Fruit and vegetable bins	<b>2</b>
LED lighting	<b>•</b>
Rear rollers	<b>•</b>
Smart appliance	<b>•</b>
SmartTouch control panel	<b>•</b>
Stackable bottle holders	<b>2</b>
Wi-Fi connectivity	<b>•</b>

**Power requirements**

Supply frequency	<b>60 Hz</b>
Supply voltage	<b>110 - 120 V</b>

**Product dimensions**

Depth	<b>27 3/8 "</b>
Height	<b>67 1/2 "</b>
Width	<b>25 "</b>

**Warranty**

Parts and labor	<b>2 years</b>
Sealed system parts & labor	<b>additional 3 years</b>

SKU	<b>26269</b>
-----	--------------

**Where applicable:**

All appliances use energy, and energy usage typically generates carbon emissions. **Fisher & Paykel Appliances' In-use Energy Carbon Emissions Estimate** indicates carbon emissions from a product's in-use energy. This is calculated either annually or per cycle, using the product's market-specific energy label energy consumption data multiplied by the carbon emissions factor for energy in your country or region.

Our In-use Energy Carbon Emissions Estimate is designed to assist customers in making informed purchasing decisions when comparing different Fisher & Paykel products. For example, a heat pump dryer typically has a lower In-use Energy Carbon Emissions Estimate than a vented dryer.



**A PEACE OF MIND SALE**  
**24 Hours 7 Days a Week Customer Support**  
T 1.888.936.7872 W [www.fisherpaykel.com](http://www.fisherpaykel.com)