

Series 7, Contemporary Single DishDrawer Dishwasher

Series 7 | Contemporary

Stainless Steel

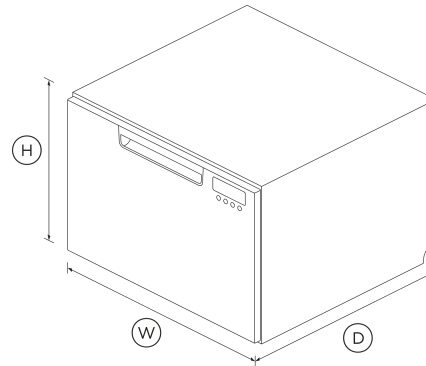


Designed to fit even full-sized dinner plates, this DishDrawer™ can be placed anywhere in your kitchen, for loading dishes with less bending.

- Six wash programs to suit any load, from Delicate to Heavy
- Flexible racking allows you to customise internal shelves to suit your needs

DIMENSIONS

Height	410 mm
Width	599 mm
Depth	573 mm



FEATURES & BENEFITS

Seamless Integration

DishDrawer™ Dishwashers integrate beautifully into any kitchen space. They're designed to match the Fisher & Paykel family of kitchen appliances, with matching handles, premium styling and quality materials.

Quiet performer

Running at a very low decibel rating, these DishDrawer™ Dishwashers do their job without making a fuss. The combination of intelligent technology and simple mechanics means greater reliability and excellent wash performance.

SPECIFICATIONS

Capacity and loading

Accommodates round plates up to	280mm
Fixed height, foldable cupracks	•
Fold down tines	•
Place settings	7
Place settings	7

Consumption

Energy rating	3.5 star
Energy usage	136 kWh/year
In-use energy carbon emissions estimate	18.4kgCO2e/year
Water consumption (per wash cycle)	6.9L
Water rating	4.5 star (WELS)

Controls

- Electronic fault/Diagnostic indicator
- End of cycle beeps
- Energy saving delay start option of up to 12 hours
- Keylock
- Rinse aid indicator light
- Smart appliance

Features

- Fan assisted drying
- Flood protection

Flow through detergent dispenser	•
Motor type	BLDC
Quiet operation	•
SmartDrive™ technology	•

Medium	•
Rinse	•
Wash programs	6

- [↓ Sketchup Single DishDrawer™ Dishwasher](#)
- [↓ User Guide DishDrawer™ Dishwasher](#)
- [↓ Wash Program Data ASNZS DishDrawer™ Dishwasher](#)

Performance

Noise emissions	43 dBA
-----------------	---------------

Water connection

Water pressure	30kPa - 1000 kPa
Water supply	3/4" BSP (20mm) Connector Water Inlet Hose

Where applicable:

All appliances use energy, and energy usage typically generates carbon emissions. **Fisher & Paykel Appliances' In-use Energy Carbon Emissions Estimate** indicates carbon emissions from a product's in-use energy. This is calculated either annually or per cycle, using the product's market-specific energy label energy consumption data multiplied by the carbon emissions factor for energy in your country or region.

Power requirements

Amperage	5A
Supply frequency	50Hz
Supply voltage	220 - 240V

SKU	82314
-----	-------

Our In-use Energy Carbon Emissions Estimate is designed to assist customers in making informed purchasing decisions when comparing different Fisher & Paykel products. For example, a heat pump dryer typically has a lower In-use Energy Carbon Emissions Estimate than a vented dryer.

The product dimensions and specifications in this page apply to the specific product and model. Under our policy of continuous improvement, these dimensions and specifications may change at any time. You should therefore check with Fisher & Paykel's Customer Care Centre to ensure this page correctly describes the model currently available. © Fisher & Paykel Appliances Ltd 2020

Product dimensions

Depth	573 mm
Height	410 mm
Width	599 mm



A PEACE OF MIND SALE
24 Hours 7 Days a Week Customer Support
 T 0800 372 273 [Wwww.fisherpaykel.com](http://www.fisherpaykel.com)

Other product downloads available at fisherpaykel.com

- [↓ 2D-DWG Single DishDrawer™ Dishwasher](#)
- [↓ 2D-DXF Single DishDrawer™ Dishwasher](#)
- [↓ Data Sheet Single DishDrawer™ Dishwasher](#)
- [↓ Energy and Water Label](#)
- [↓ Service & Warranty](#)
- [↓ Installation Guide Single DishDrawer™ Dishwasher](#)
- [↓ Installation Guide Single DishDrawer™ Dishwasher](#)
- [↓ Quick Start Guide](#)
- [↓ Revit Single DishDrawer™ Dishwasher](#)
- [↓ Rhino Single DishDrawer™ Dishwasher](#)

Warranty

Parts and labour	2 years
------------------	----------------

Wash Programs

Delicate	•
Eco	•
Fast	•
Heavy	•