

Integrated Double DishDrawer Dishwasher, Tall

Series 11 | Integrated

Panel Ready

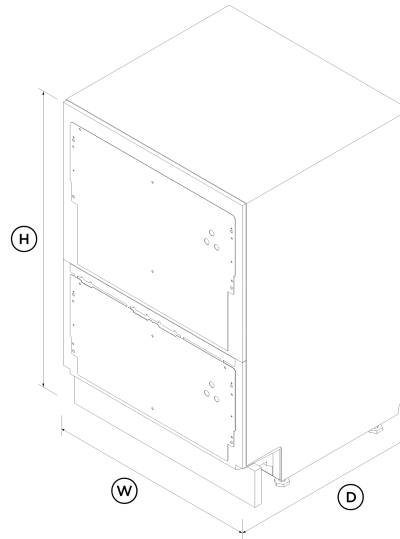


<p>Integrates seamlessly into kitchen cabinetry. Each drawer features a premium stainless steel interior and operates independently, for flexible washing.</p>

- Eight wash cycles from Heavy to Light, including Auto, 60min and Glassware
- Fits plates up to 310mm, with flexible racking to accommodate other large cookware
- With soft-close drawers, and knock to pause convenience

DIMENSIONS

Height	865 - 925 mm
Width	599 mm
Depth	553 mm



FEATURES & BENEFITS

Seamless Integration

Install your DishDrawer™ Dishwasher into an existing kitchen space or integrate into kitchen cabinetry. The touch-sensitive control panel is located inside this Integrated model, leaving an uninterrupted exterior that blends seamlessly with surrounding cabinetry.

Ease Of Use

DishDrawer™ Dishwashers are beautiful to use with soft-close drawers. The tall top drawer fits your larger plates and dishes up to 310mm, while the bottom drawer is ideal for small washes. Flexible racking includes height-adjustable cup racks and wine glass supports.

True Half Load

Both drawers fit a true half load. Each drawer operates independently, so you can wash one load while stacking the other drawer, or wash simultaneously on separate cycles.

Flexible Wash Options

Eight wash programs including Auto, 60min and Glassware, while modifiers such as Sanitise, Dry+ and Quiet provide added wash flexibility. The Quiet wash modifier reduces the noise on some cycles while maintaining performance - perfect for late night washing.

Design Quality

Every detail has been carefully crafted using quality materials, from the easy-to-clean stainless steel interior to the spray arm sensor that detects jams for increased wash confidence.

Knock To Pause

For ease-of-use, these DishDrawer™ Dishwashers have a knock to pause function. A knock on the front panel will pause the dishwasher, which can be restarted by using the start button.

Efficient Performance

This DishDrawer™ Dishwasher uses the water it needs without compromising on wash performance.

SPECIFICATIONS

Accessories (included)

Cutlery basket	•
Kickstrip	true
Knife clip and multipurpose clip	•

Accessories (sold separately)

Door panel black stainless steel	ADDD60DTPB
Door panel stainless steel	ADDD60DTPX
Handle kit Contemporary square fine, aluminium	AHD5DDDW60S
Handle kit Contemporary square fine, black	AHD5DDDW60B

- Intuitive capacitive touch controls
- Keylock
- Knock to pause
- Rinse aid indicator light
- Spray arm sensing

Width **599 mm**

Capacity and loading

Accommodates round plates up to	310mm
Adjustable height, foldable cupracks	•
Fold down tines	•
Pitch adjustable tines	•
Place settings	16
Place settings per drawer	8
Wine glass supports with stemware grippers	•

Features

- Built-in water softener
- Fan assisted drying
- Flood protection
- Flow through detergent dispenser
- Internal tub material **Stainless steel**
- Quiet operation
- SmartDrive™ technology
- Soft close drawer

Warranty

Parts and labour **1 year**

Wash Program Modifiers

- Dry +
- Quiet
- Sanitise
- Wash modifiers **3**

Consumption

Cleaning Index	1.21
Drying Index	1.32
Energy consumption	0.54kWh/cycle
Energy rating	Grade 1
Water usage (per wash cycle)	6.7L

Performance

Noise on standard cycle top drawer **43 dBA**

Power requirements

Amperage **10A**
 Supply frequency **50Hz**
 Supply voltage **220 - 240V**

Wash Programs

- 60 min
- Auto
- Eco
- Glassware
- Heavy
- Light
- Medium
- Rinse
- Wash programs **8**

Controls

- Electronic fault/Diagnostic indicator
- End of cycle beeps
- Energy saving delay start option of up to 12 hours
- Internal wash selector

Product dimensions

Depth **553 mm**
 Height **865 - 925 mm**

Water connection


Water pressure **100kPa - 1000kPa**
 Water supply **3/4" BSP (20mm) Connector Water Inlet Hose**

SKU 82178

Our In-use Energy Carbon Emissions Estimate is designed to assist customers in making informed purchasing decisions when comparing different Fisher & Paykel products. For example, a heat pump dryer typically has a lower In-use Energy Carbon Emissions Estimate than a vented dryer.

The product dimensions and specifications in this page apply to the specific product and model. Under our policy of continuous improvement, these dimensions and specifications may change at any time. You should therefore check with Fisher & Paykel's Customer Care Centre to ensure this page correctly describes the model currently available. © Fisher & Paykel Appliances Ltd 2020

Other product downloads available at fisherpaykel.com

- [↓](#) 2D-DWG Double DishDrawer™ Dishwasher
- [↓](#) 2D-DXF Double DishDrawer™ Dishwasher
- [↓](#) Energy Label Integrated Double DishDrawer™ Dishwasher ZH
- [↓](#) Service & Warranty
- [↓](#)  ZH
- [↓](#) Planning Guide Integrated Double DishDrawer™ Dishwasher EN
- [↓](#) Revit-18 Double DishDrawer™ Dishwasher
- [↓](#) Rhino-5 Double DishDrawer™ Dishwasher
- [↓](#) Sketchup-8 Double DishDrawer™ Dishwasher
- [↓](#) User Guide Integrated DishDrawer™ Dishwasher EN
- [↓](#) User Guide Integrated DishDrawer™

Where applicable:

All appliances use energy, and energy usage typically generates carbon emissions. **Fisher & Paykel Appliances' In-use Energy Carbon Emissions Estimate** indicates carbon emissions from a product's in-use energy. This is calculated either annually or per cycle, using the product's market-specific energy label energy consumption data multiplied by the carbon emissions factor for energy in your country or region.