

# 60cm Series 9 Minimal Compact Combi-Microwave Oven

Series 9 | Minimal

Black Glass



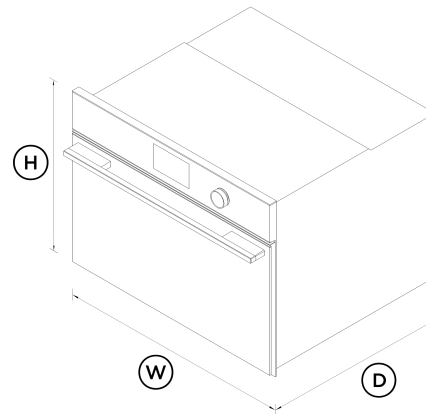
The speed of microwave cooking with the versatility of convection oven technology in a compact companion model, for perfect pairing.

- Compact size, designed to fit flush with cabinetry
- Generous 49L capacity, with four shelf positions
- A Wired Temperature Sensor precisely monitors cooking in real time

- Guided touchscreen cooking makes it simple to navigate cooking processes

## DIMENSIONS

Height	458 mm
Width	596 mm
Depth	565 mm



## FEATURES & BENEFITS

### Cooking Flexibility

Choose from 22 functions, including four microwave-only functions, 14 traditional oven functions, and four combination functions, giving you the best microwave and convection oven technology.

### Cook With Confidence

The 5" screen provides an intuitive guided cooking experience that helps to deliver perfect results, whether you've been cooking all your life or are just starting out.

### Sized To Suit

A compact 60cm width means this microwave oven can be placed almost anywhere – all companion products can be installed at a convenient height to suit your kitchen design and preference.

### Complementary Design

With a matte black glass finish, this Minimal style oven blends seamlessly, enhancing your kitchen design without dominating it. It's understated and elegant, whether on its own or part of a matching appliance set.

### Multi-Function Flexibility

Each function has been tailored and tested to ensure perfect defrosting, heating and cooking. A Wired Temperature Sensor precisely monitors cooking in real time, giving you complete control.

### Safe And Sound

The CoolTouch door is safe to touch from the outside, protecting your hands and the surrounding cabinetry.

## SPECIFICATIONS

### Accessories (included)

Chromed shelf runners	•
Glass tray	1
Grill rack	1 set
Step down wire shelf	1
Wire shelf	1
Wired temperature sensor	1

<b>Capacity</b>		Multi-language display	<b>UK English, US English, Simplified Chinese, Français, Español</b>	Roast + Micro (3 levels)	•
Shelf positions	<b>4</b>			Slow cook	•
Total capacity	<b>49 L</b>			Vent bake	•
Usable capacity	<b>38 L</b>	Sabbath mode with Federation of Synagogues certification	•	Warm	•
<hr/>					
<b>Cleaning</b>		Smart appliance	•	<b>Performance</b>	
Acid resistant graphite enamel	•	Soft close doors	•	ActiveVent™ system	•
Removable oven door	•	True convection oven	•	AeroTech™ technology	•
Removable oven door inner glass	•	Turned stainless steel dials with illuminated halos	•	Automatic rapid pre-heat	•
Removable shelf runners	•	<hr/>			
<b>Consumption</b>		<b>Functions</b>		Grill power	<b>3000 W</b>
Energy rating	<b>A+</b>	Air fry	•	Microwave by levels	•
<hr/>					
<b>Controls</b>		Bake	•	Microwave power	<b>900 W</b>
Adjustable audio and display settings	•	Defrost	•	Microwave power levels	<b>6</b>
Audio feedback	•	Dehydrate	•	Temperature range	<b>35 - 230°C</b>
Automatic cooking/minute timer	•	Fan bake	•	Whisper Quiet Cooking	•
Automatic pre-set temperatures	•	Fan forced	•	<hr/>	
Celsius/Fahrenheit temperature	•	Fan forced + Micro (3 levels)	•	<b>Power requirements</b>	
Delay start	•	Fan grill	•	Amperage	<b>16 A</b>
Electronic clock	•	Fan grill + Micro (3 levels)	•	Supply frequency	<b>50 Hz</b>
Electronic oven control	•	Grill	•	Supply voltage	<b>220-240 V</b>
Food probe	•	Grill + Micro (3 levels)	•	<hr/>	
Guided cooking by food type and recipes	•	Microwave cooking	•	<b>Product dimensions</b>	
Halogen lights	•	Number of functions	<b>22</b>	Depth	<b>565 mm</b>
Intuitive touchscreen display	•	Pastry Bake	•	Height	<b>458 mm</b>
		Pizza bake	•	Width	<b>596 mm</b>
		Popcorn	•	<hr/>	
		Quick start	•	<b>Safety</b>	
		Rapid proof	•		
		Roast	•		

Balanced oven door	•
Control panel key lock	•
CoolTouch door	•
Non-tip shelves	•
Safety thermostat	•

**Where applicable:**

All appliances use energy, and energy usage typically generates carbon emissions. **Fisher & Paykel Appliances' In-use Energy Carbon Emissions Estimate** indicates carbon emissions from a product's in-use energy. This is calculated either annually or per cycle, using the product's market-specific energy label energy consumption data multiplied by the carbon emissions factor for energy in your country or region.

Our In-use Energy Carbon Emissions Estimate is designed to assist customers in making informed purchasing decisions when comparing different Fisher & Paykel products. For example, a heat pump dryer typically has a lower In-use Energy Carbon Emissions Estimate than a vented dryer.



**A PEACE OF MIND SALE**  
**24 Hours 7 Days a Week Customer Support**  
 T 08000 886 605 W [www.fisherpaykel.com](http://www.fisherpaykel.com)

**Warranty**

Parts and labour **5 years**

SKU 82652

The product dimensions and specifications in this page apply to the specific product and model. Under our policy of continuous improvement, these dimensions and specifications may change at any time. You should therefore check with Fisher & Paykel's Customer Care Centre to ensure this page correctly describes the model currently available. © Fisher & Paykel Appliances Ltd 2020

**Other product downloads available at [fisherpaykel.com](http://fisherpaykel.com)**

- [↓ 2D-DWG Combination Microwave Oven](#)
- [↓ 2D-DXF Combination Microwave Oven](#)
- [↓ Declaration of Conformity](#)
- [↓ Service & Warranty](#)
- [↓ Planning Guide EN - 60cm Ovens and Companions - Minimal](#)
- [↓ Revit 19](#)
- [↓ Rhino Combination Microwave Oven](#)
- [↓ SketchUp Combination Microwave Oven](#)
- [↓ User Guide Combination Microwave Oven EN](#)