

**30" BUILT-IN OVENS AND COMPANIONS
PROFESSIONAL**

PLANNING GUIDE

SERIES 9 & 11

DOUBLE OVEN | OB30DPPTX1

OVEN | OB30SPPTX1

STEAM OVEN | OS30SPTX1, OS30NPTX1

SPEED OVEN | OM30NPTX1

BUILT-IN COFFEE MAKER | EB30PSX1

WARMING DRAWER | WB30SPEX1

VACUUM SEAL DRAWER | VB30SPEX1

FISHER & PAYKEL

This comprehensive Planning Guide provides you with the framework and tools to achieve your desired design outcome with Fisher & Paykel appliances. In this guide, you will find a range of conceptual, detailed and dimensional product information to bring your ideas to life and create spaces that truly reflect your vision.

CONTENTS

| CONCEPT DESIGN | PAGE | DEVELOPED AND DETAILED DESIGN | PAGE | DEVELOPED AND DETAILED DESIGN | PAGE |
|---|-----------|-------------------------------|-----------|--|-----------|
| Design Choices | | Data Sheets | | Planning Considerations | |
| Ovens and Companions - ALL MODELS | 4 | Double Oven | 19 | Cabinetry Preparation - ALL MODELS | 28 |
| Configurations - ALL MODELS | 5 | Oven | 20 | Configurations - ALL MODELS | 29 |
| Overview - ALL MODELS | 6 | Combination Steam Oven | 21 | Double Oven | 30 |
| | | Built-in Coffee Maker | 22 | Oven | 31 |
| Specification Guides | | Combination Steam Oven | 23 | Combination Steam Oven | 32 |
| Double Oven | 8 | Convection Speed Oven | 24 | Built-in Coffee Maker | 33 |
| Oven | 9 | Warming Drawer | 25 | Combination Steam Oven | 35 |
| Combination Steam Oven | 10 | Vacuum Seal Drawer | 26 | Convection Speed Oven | 36 |
| Built-in Coffee Maker | 11 | | | Warming Drawer | 37 |
| Combination Steam Oven | 12 | | | Vacuum Seal Drawer | 38 |
| Convection Speed Oven | 13 | | | | |
| Warming Drawer | 14 | | | Services | |
| Vacuum Seal Drawer | 15 | | | Power Cord Length and Location - COMPANIONS | 40 |
| Dimensions - ALL MODELS | 16 | | | Power Cord Length and Location - STEAM + SPEED | 41 |
| Power, Weight and Capacity - ALL MODELS | 17 | | | Power Cord Length and Location - OVENS | 42 |

The models shown in this Planning Guide may not be available in all markets and are subject to change at any time. Product specifications may vary from those shown. This Planning Guide should not be used as installation guidance for any product. Further information is required to safely and correctly install the products featured here. Specific installation guidance will be available on our website fisherpaykel.com

DESIGN CHOICES

OVENS

COMPANIONS

INSTALLATION OPTIONS

OVEN

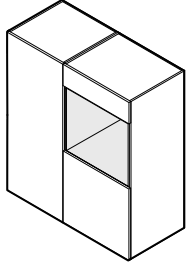
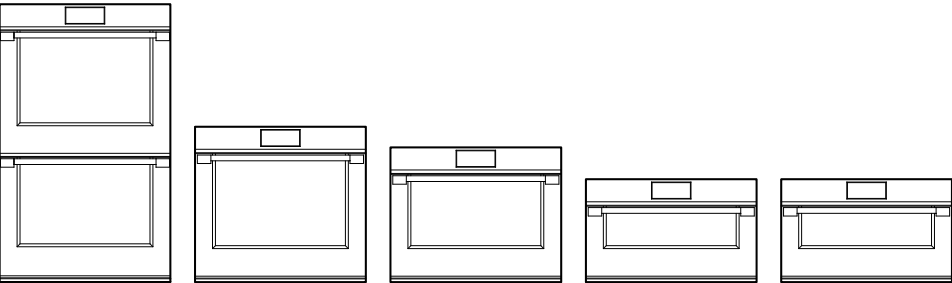
COMBINATION STEAM

CONVECTION SPEED

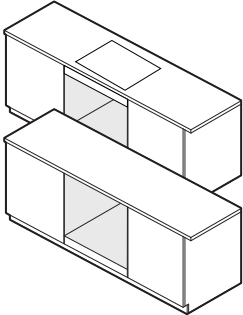
BUILT-IN COFFEE MAKER

WARMING DRAWER

VACUUM SEAL DRAWER



INSTALLATION IN WALL

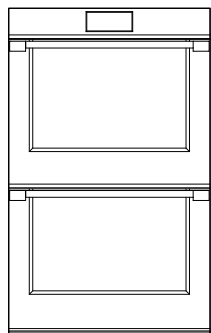


INSTALLATION UNDER-BENCH

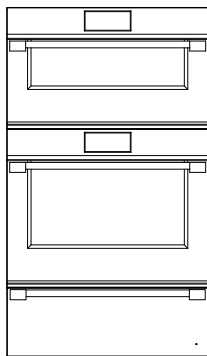
The models shown in this Planning Guide may not be available in all markets and are subject to change at any time. Product specifications may vary from those shown. This Planning Guide should not be used as installation guidance for any product. Further information is required to safely and correctly install the products featured here. Specific installation guidance will be available on our website fisherpaykel.com

STACKED INSTALLATION

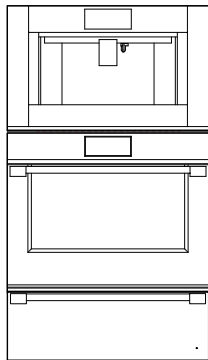
Stack Height
48 9/16" (1234mm)



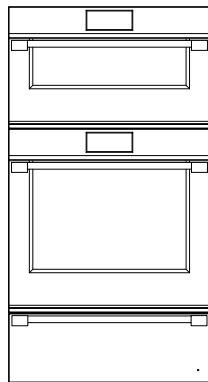
Stack Height
51 7/16" (1307mm)



Stack Height
46 3/4" (1187mm)

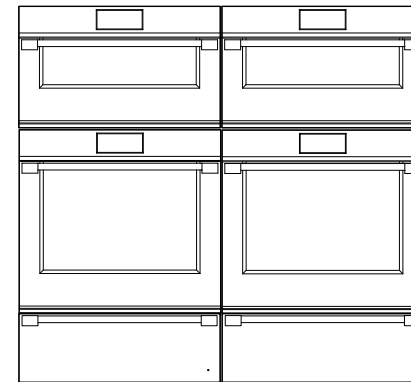


Stack Height
55 1/2" (1410mm)



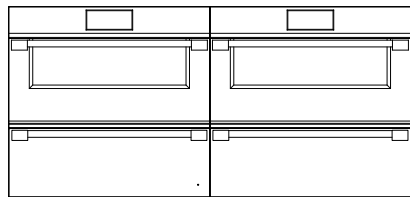
GRID INSTALLATION

Stack Height
55 1/2" (1410mm)

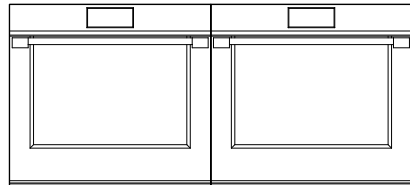


ROW INSTALLATION

Stack Height
28 5/16" (719mm)



Stack Height
23 5/8" (692mm)

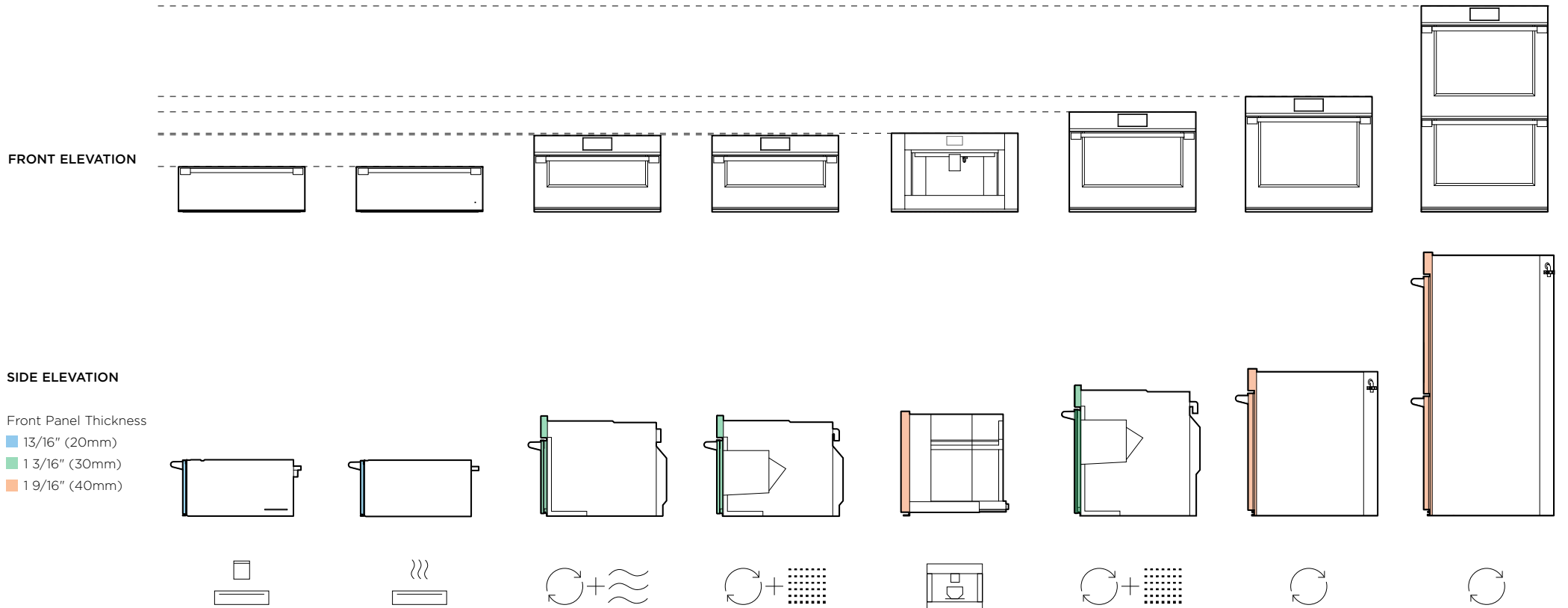


CONSIDERATIONS

Different configurations possible, consider heights for row and grid installations.

Note: Stack Height is overall product height with minimum clearance above appliance front panel to upper cabinetry front panel or appliance.

The models shown in this Planning Guide may not be available in all markets and are subject to change at any time. Product specifications may vary from those shown. This Planning Guide should not be used as installation guidance for any product. Further information is required to safely and correctly install the products featured here. Specific installation guidance will be available on our website fisherpaykel.com



SIDE ELEVATION

Front Panel Thickness

13/16" (20mm)

1 3/16" (30mm)

1 9/16" (40mm)

| | VACUUM SEAL DRAWER | WARMING DRAWER | CONVECTION SPEED OVEN | COMBINATION STEAM OVEN | BUILT-IN COFFEE MAKER | COMBINATION STEAM OVEN | OVEN | DOUBLE OVEN |
|------------------------------|--------------------|-------------------|-----------------------|------------------------|-----------------------|------------------------|-----------------|------------------|
| Series | Series 9 | Series 9 | Series 9 | Series 9 | Series 9 | Series 11 | Series 9 | Series 9 |
| Model Code | VB30SPEX1 | WB30SPEX1 | OM30NPTX1 | OS30NPTX1 | EB30PSX1 | OS30SPTX1 | OB30SPPTX1 | OB30DPPTX1 |
| Interface | - | - | 5" Touchscreen | 5" Touchscreen | 4.3" Touchscreen | 5" Touchscreen | 5" Touchscreen | 5" Touchscreen |
| Height | 10 11/16" (271mm) | 10 11/16" (271mm) | 18" (458mm) | 18" (458mm) | 18 1/2" (470mm) | 23 9/16" (598mm) | 27 1/8" (689mm) | 48 1/2" (1232mm) |
| Front Panel Thickness | 13/16" (20mm) | 13/16" (20mm) | 1 3/16" (30mm) | 1 3/16" (30mm) | 1 9/16" (40mm) | 1 3/16" (30mm) | 1 9/16" (40mm) | 1 9/16" (40mm) |

The models shown in this Planning Guide may not be available in all markets and are subject to change at any time. Product specifications may vary from those shown. This Planning Guide should not be used as installation guidance for any product. Further information is required to safely and correctly install the products featured here. Specific installation guidance will be available on our website fisherpaykel.com

SPECIFICATION GUIDE

SERIES 9 & 11



OVERVIEW

Complete your Professional-style kitchen with this 30" Double Oven. It matches perfectly with any of our Professional kitchen appliances to deliver the feel of a commercial kitchen in the home. Intuitive controls and the performance to deliver perfect results make this double oven beautiful to use.

PRODUCTS

OB30DPPTX1
 Double Oven, 30", 17 Function, 4.1cu ft + 4.1cu ft, Touchscreen, Stainless Steel

SERIES & STYLE

Series 9
 Professional

FEATURES

- ① Designed to fit flush with cabinetry
- ② Designed to match the rest of Fisher & Paykel's Professional style family of appliances
- ③ Generous 4.1cu ft total capacity per oven
- ④ High-resolution, user-friendly touch display
- ⑤ Guided cooking and recipes
- ⑥ Perfect results from a variety of oven functions
- ⑦ Even heat distribution throughout with AeroTech™ technology
- ⑧ Self-cleaning
- ⑨ CoolTouch door

ACCESSORIES

- ① Full Extension Sliding Shelves*
- ② Self-cleaning-proof side racks*
- ③ Roasting dish, tray and rack*
- ④ Wired Temperature Sensor*

*Included with product



The models shown in this Planning Guide may not be available in all markets and are subject to change at any time. Product specifications may vary from those shown. This Planning Guide should not be used as installation guidance for any product. Further information is required to safely and correctly install the products featured here. Specific installation guidance will be available on our website fisherpaykel.com



OVERVIEW

Complete your Professional-style kitchen with this 30" Oven. It matches perfectly with any of our Professional kitchen appliances to deliver the feel of a commercial kitchen in the home. With intuitive controls and the performance to deliver perfect results, this oven is beautiful to use.

PRODUCTS

OB30SPPTX1

Oven, 30", 17 Function, 4.1cu ft, Touchscreen, Stainless Steel

SERIES & STYLE

Series 9
Professional

FEATURES

- ① Designed to match the rest of Fisher & Paykel's Professional style family of appliances
- ② Generous 4.1cu ft total capacity
- ③ High-resolution intuitive touch display
- ④ Guided cooking and recipes
- ⑤ Perfect results from a variety of oven functions
- ⑥ Even heat distribution throughout with AeroTech™ technology
- ⑦ Self-cleaning
- ⑧ CoolTouch door

ACCESSORIES

- ① Full Extension Sliding Shelves*
- ② Self-cleaning-proof side racks*
- ③ Roasting dish, tray and rack*
- ④ Wired Temperature Sensor*

*Included with product



The models shown in this Planning Guide may not be available in all markets and are subject to change at any time. Product specifications may vary from those shown. This Planning Guide should not be used as installation guidance for any product. Further information is required to safely and correctly install the products featured here. Specific installation guidance will be available on our website fisherpaykel.com



OVERVIEW

With striking Professional styling, the Combination Steam Oven fits seamlessly into any kitchen. As a companion product, this Steam Oven is designed to install easily and fit perfectly with other companion products. It features 23 functions, including steam-only, convection-only, or a combination of both. Reduce the need for oils and fats with six standalone steam functions, perfect for creating flavorful and healthy restaurant-quality meals at home. Beautiful to use, the large 5" touchscreen interface has simple and intuitive guided cooking, helping to ensure perfect results.

PRODUCTS

OS30SPTX1

Combination Steam Oven, 30", 23 Function

SERIES & STYLE

Series 11

Professional

ACCESSORIES

- ① 2x Full Extension Sliding Shelves*
- ② Step Down Wire Shelf*
- ③ Broil Pan*
- ④ Broil Rack*
- ⑤ Broil Grid*

FEATURES

- ① Professional style for a bold statement
- ② Generous 3cu ft total capacity with six shelf positions
- ③ Intuitive, large 5" touchscreen display
- ④ 23 oven functions including Steam, Sous Vide, Air Fry and Crisp Regenerate
- ⑤ Guided touchscreen cooking makes it simple to cook by food, function or recipe
- ⑥ Moisture control and even heat distribution thanks to ActiveVent and AeroTech™ technology
- ⑦ 47.3 fl oz water tank
- ⑧ Wi-Fi enabled and works with the SmartHQ™ app for remote control and notifications
- ⑨ Steam Clean function ensures a spotless oven with minimal effort
- ⑩ Soft open and close door

ACCESSORIES

- ⑥ Perforated Large Steam Dish*
- ⑦ Perforated Small Steam Dish*
- ⑧ Large Steam Dish*
- ⑨ Wired Temperature Sensor*
- ⑩ Catalytic Panel*
- ⑪ Descale solution* - 2 sachets (Part 580925)

*Included with product

The models shown in this Planning Guide may not be available in all markets and are subject to change at any time. Product specifications may vary from those shown. This Planning Guide should not be used as installation guidance for any product. Further information is required to safely and correctly install the products featured here. Specific installation guidance will be available on our website fisherpaykel.com



OVERVIEW

Designed to complement our Professional style oven and warming drawer, this built-in coffee maker seamlessly integrates into any kitchen design with a stylish stainless steel finish. Beautiful to use, it has an intuitive touch display with 13 different beverage options to suit individual taste and selection - from Espresso to Latte. Pair with other companion products to create a kitchen suite for every need.

PRODUCTS

EB30PSX1

Built-in Coffee Maker, 4.3" Touchscreen, Stainless Steel

SERIES & STYLE

Series 9

Professional

FEATURES

- ① Part of our suite of companion products, designed to match aesthetically for flexible configurations
- ② Pairs perfectly with the Professional style 30" Oven and Warming Drawer
- ③ Intuitive touch display for ease of use
- ④ 13 beverage options to suit individual taste and selection - from Americano to Latte
- ⑤ Personalized coffee and smart self-learning menu preferences
- ⑥ Stainless steel conical burr grinder with 13 grind coarseness positions
- ⑦ Self-cleaning function, with a removable drip tray and waste container
- ⑧ 84.5 fl oz water tank capacity
- ⑨ 15 bar pump pressure
- ⑩ Adjustable coffee strength, temperature and coffee cup sizes

ACCESSORIES

- ① Thermal milk jug*
- ② Extractable steam outlet*
- ③ Coffee spoon*
- ④ Descaling agent and water filter*

*Included with product



The models shown in this Planning Guide may not be available in all markets and are subject to change at any time. Product specifications may vary from those shown. This Planning Guide should not be used as installation guidance for any product. Further information is required to safely and correctly install the products featured here. Specific installation guidance will be available on our website fisherpaykel.com



OVERVIEW

With striking Professional styling, the Combination Steam Oven fits seamlessly into any kitchen. As a companion product, this Steam Oven is designed to install easily and fit perfectly with other companion products. It features 23 functions, including steam-only, convection-only, or a combination of both. Reduce the need for oils and fats with six standalone steam functions, perfect for creating flavorful and healthy restaurant-quality meals at home. Beautiful to use, the large 5" touchscreen interface has simple and intuitive guided cooking, helping to ensure perfect results.

PRODUCTS

OS30NPTX1

Combination Steam Oven, 30", 23 Function

SERIES & STYLE

Series 9

Professional

ACCESSORIES

- ① Full Extension Sliding Shelf*
- ② Wire Shelf*
- ③ Broil Pan*
- ④ Broil Rack*
- ⑤ Perforated Large Steam Dish*

FEATURES

- ① Professional style for a bold statement
- ② Generous 1.9 cu ft total capacity with four shelf positions
- ③ Intuitive, large 5" touchscreen display
- ④ 23 oven functions including Steam, Sous Vide, Air Fry and Crisp Regenerate
- ⑤ Guided touchscreen cooking makes it simple to cook by food, function or recipe
- ⑥ Moisture control and even heat distribution thanks to ActiveVent and AeroTech™ technology
- ⑦ 47.3 fl oz water tank
- ⑧ Wi-Fi enabled and works with the SmartHQ™ app for remote control and notifications
- ⑨ Steam Clean function ensures a spotless oven with minimal effort
- ⑩ Soft open and close door

ACCESSORIES

- ⑥ Perforated Large Steam Dish*
- ⑦ Perforated Small Steam Dish*
- ⑧ Large Steam Dish*
- ⑨ Wired Temperature Sensor*
- ⑩ Catalytic Panel*
- ⑪ Descale solution* - 2 sachets (Part 580925)

*Included with product

The models shown in this Planning Guide may not be available in all markets and are subject to change at any time. Product specifications may vary from those shown. This Planning Guide should not be used as installation guidance for any product. Further information is required to safely and correctly install the products featured here. Specific installation guidance will be available on our website fisherpaykel.com



OVERVIEW

With striking Professional styling, the Convection Speed Oven fits seamlessly into any kitchen. As a companion product, this Speed Oven is designed to install easily and fit perfectly with other companion products such as the Combination Steam Oven, or Vacuum Seal Drawer. A flexible appliance that pairs the speed of microwave cooking with oven technology, which can crisp and brown as it cooks. Featuring 22 cooking functions on an intuitive touch display for easy programming of desired cooking mode and duration.

PRODUCTS

OM30NPTX1

Convection Speed Oven, 30", 22 Function

SERIES & STYLE

Series 9
Professional

FEATURES

- ① Professional style for a bold statement
- ② 1.7cu ft total capacity
- ③ Intuitive, large 5" touchscreen display
- ④ Four microwave-only functions, 14 traditional oven functions, and four combination functions
- ⑤ A Wired Temperature Sensor precisely monitors cooking in real time
- ⑥ Guided cooking, with the option to access additional functionality via the SmartHQ™ app
- ⑦ Wi-Fi/Connected capability through the SmartHQ™ app
- ⑧ Soft open and close door

ACCESSORIES

- ① Wire Shelf*
- ② Chrome Shelf Runners*
- ③ Step Down Wire Shelf*
- ④ Broil Rack*
- ⑤ Glass Tray*
- ⑥ Wired Temperature Sensor*

*Included with product

The models shown in this Planning Guide may not be available in all markets and are subject to change at any time. Product specifications may vary from those shown. This Planning Guide should not be used as installation guidance for any product. Further information is required to safely and correctly install the products featured here. Specific installation guidance will be available on our website fisherpaykel.com



OVERVIEW

Designed to complement our Professional style kitchen appliances, this warming drawer has a brushed stainless steel handle, and is soft-close for a coherent, considered look. Beautiful to use, with capacitive touch controls and six tailored functions for warming, proofing, dehydrating and slow cook. Pair with other companion products to create a kitchen suite for every need.

PRODUCTS

WB30SPEX1
Warming Drawer, 30", Stainless Steel

SERIES & STYLE

Series 9
Professional

FEATURES

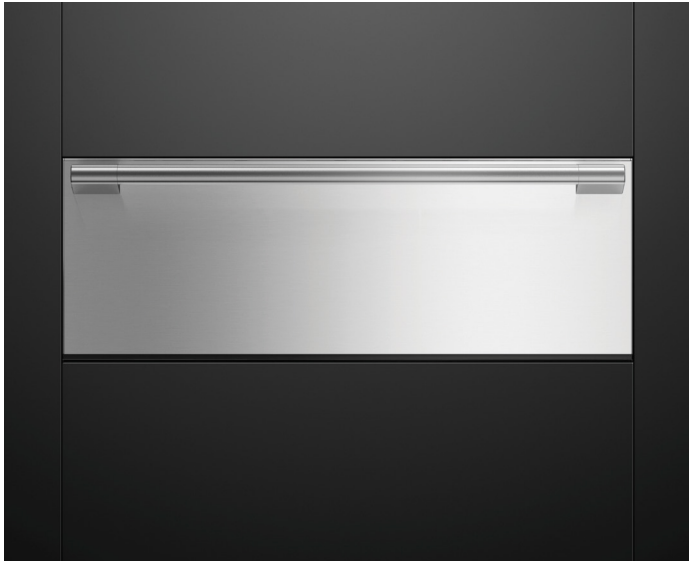
- ① Styled to perfectly match our Professional kitchen appliances
- ② Seamless pairing with other companion products in brushed stainless steel
- ③ Soft-close drawer
- ④ Easy-to-use capacitive touch controls
- ⑤ Automatic timing and switch-off functionality
- ⑥ Easy-to-clean, smooth-glass base
- ⑦ Room for 16 standard-sized place settings
- ⑧ Versatile with six tailored programmes for warming, proofing, dehydrating and slow cook

ACCESSORIES

- ① Accessory rack for optimizing space*

*Included with product

The models shown in this Planning Guide may not be available in all markets and are subject to change at any time. Product specifications may vary from those shown. This Planning Guide should not be used as installation guidance for any product. Further information is required to safely and correctly install the products featured here. Specific installation guidance will be available on our website fisherpaykel.com



OVERVIEW

Designed to complement our Professional style Combination Steam Ovens, these vacuum seal drawers offer a bold, distinctive appearance with soft-close functionality. Beautiful to use, they feature capacitive touch controls and three levels of vacuuming and sealing to deliver perfect results. Pair them with other companion products to create a versatile kitchen suite for every need.

PRODUCTS

VB30SPEX1

Vacuum Seal Drawer, 30", Stainless Steel

SERIES & STYLE

Series 9
Professional

FEATURES

- ① Styled to perfectly match our Professional kitchen appliances
- ② Soft-close drawer
- ③ Three levels of vacuum and heat sealing
- ④ Easy-to-use capacitive touch controls
- ⑤ Easy-to-clean stainless steel interior
- ⑥ Vacuum sealing for easy food portioning, marinating, storage and extended food life
- ⑦ Sealing to capture and intensify flavors and retain nutrients
- ⑧ Effortless preparation for sous vide cooking
- ⑨ External vacuuming to remove air from glass jars and bottles
- ⑩ Additional storage drawer

ACCESSORIES

- ① Large vacuum bags - 50 Bags, Part 793034
- ② Small vacuum bags - 50 Bags, Part 793033
- ③ Adapter accessory kit for external vacuuming*

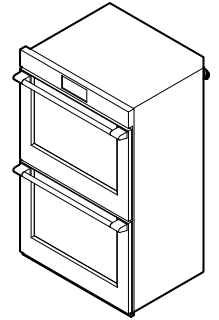
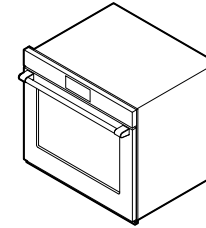
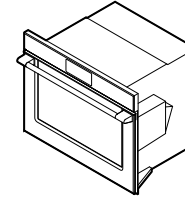
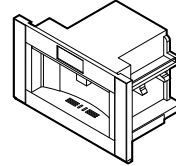
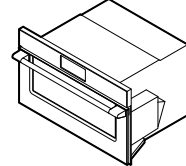
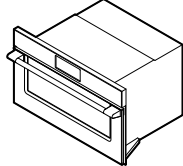
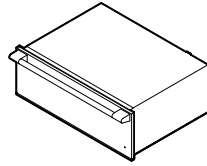
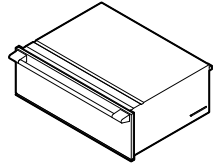
*Included with product



The models shown in this Planning Guide may not be available in all markets and are subject to change at any time. Product specifications may vary from those shown. This Planning Guide should not be used as installation guidance for any product. Further information is required to safely and correctly install the products featured here. Specific installation guidance will be available on our website fisherpaykel.com

| PRODUCT DIMENSIONS | | | | | | | | |
|--|---|---|--|--|--|---|---|--|
| | | | | | | | | |
| CAVITY DIMENSIONS | | | 1/4"(6mm) Spacer (Supplied) | 1/4"(6mm) Spacer (Supplied) | 5/8" (16mm) additional panel and side walls required | 1/4"(6mm) Spacer (Supplied) | | |
| | VACUUM SEAL DRAWER VB30SPEX1 | WARMING DRAWER WB30SPEX1 | CONVECTION SPEED OVEN OM30NPTX1 | COMBINATION STEAM OVEN OS30NPTX1 | BUILT-IN COFFEE MAKER EB30PSX1 | COMBINATION STEAM OVEN OS30SPTX1 | OVEN OB30SPPTX1 | DOUBLE OVEN OB30DPPTX1 |
| PRODUCT DIMENSIONS | | | | | | | | |
| Ⓐ Overall height | 10 11/16" (271mm) | 10 11/16" (271mm) | 18" (458mm) | 18" (458mm) | 18 1/2" (470mm) | 23 9/16" (598mm) | 27 3/16" (690mm) | 48 1/2" (1232mm) |
| Ⓑ Overall width | 29 15/16" (760mm) | 29 15/16" (760mm) | 29 13/16" (757mm) | 29 13/16" (757mm) | 29 13/16" (757mm) | 29 13/16" (757mm) | 29 13/16" (757mm) | 29 13/16" (757mm) |
| Ⓒ Chassis height | 10 11/16" (271mm) | 10 11/16" (271mm) | 17 1/8" (435mm) | 17 1/8" (435mm) | 17 7/16" (442mm) | 22 5/8" (575mm) | 26 9/16" (674mm) | 47 15/16" (1218mm) |
| Ⓓ Chassis width | 28 3/8" (720mm) Includes side brackets | 27 13/15" (707mm) | 28 3/8" (720mm) | 28 3/8" (720mm) | 22 1/16" (560mm) | 28 3/8" (720mm) | 28 3/8" (720mm) | 28 3/8" (720mm) |
| Ⓔ Chassis depth | 21 11/16" (551mm) Including power plug | 21 9/16" (547mm) Including power plug | 21 7/16" (545mm) | 21 7/16" (545mm) | 17 6/16" (445mm) | 21 7/16" (545mm) | 22 7/16" (569mm) | 22 7/16" (569mm) |
| Ⓕ Front panel thickness | 13/16" (20mm) | 13/16" (20mm) | 1 3/16" (30mm) | 1 3/16" (30mm) | 1 9/16" (40mm) | 1 3/16" (30mm) | 1 9/16" (40mm) | 1 9/16" (40mm) |
| Depth of oven door fully open | - | - | 12 5/8" (320mm)* | 12 5/8" (320mm)* | - | 18 1/8" (460mm)* | 21 11/16" (550mm)* | Upper door 21 11/16"(550mm)* Lower door 20 7/8"(530mm)* |
| *Measured from front of control panel | | | | | | | | |
| CAVITY DIMENSIONS | | | | | | | | |
| Ⓖ Minimum inside height of cavity | 10 3/4" (273mm)* | 10 3/4" (273mm)* | 17 9/16" (446mm) height includes spacer thickness | 17 9/16" (446mm) height includes spacer thickness | 18 3/8" (466mm) height includes spacer thickness*** | 22 13/16" (586mm) height includes spacer thickness | 26 13/16" (681mm) | 48 3/16" (1224mm) |
| Ⓗ Minimum inside width of cavity | 28 1/2" (724mm) | 28 1/2" (724mm) | 28 1/2" (724mm) | 28 1/2" (724mm) | 22 1/16" (560mm) | 28 1/2" (724mm) | 28 1/2" (724mm) | 28 1/2" (724mm) |
| Ⓖ Minimum inside depth of cavity | Proud 22 1/16" (560mm) Flush 22 13/16" (580mm) | Proud 22 1/16" (560mm) Flush 22 13/16" (580mm) | Proud 21 5/8" (550mm)** Flush 22 13/16" (580mm)** | Proud 21 5/8" (550mm) Flush 22 13/16" (580mm) | Proud 21 1/2" (545mm)** Flush 23" (585mm)** | Proud 21 5/8" (550mm) Flush 22 13/16" (580mm) | Proud 22 5/8" (575mm) Flush 24 3/16" (615mm) | Proud 22 5/8" (575mm) Flush 24 3/16" (615mm) |
| Recommended cabinet width | 30 1/16" (764mm) | 30 1/16" (764mm) | 30 1/16" (764mm) | 30 1/16" (764mm) | 30 1/16" (764mm) | 30 1/16" (764mm) | 30 1/16" (764mm) | 30 1/16" (764mm) |
| *Drawers can fully support 30inch Fisher & Paykel wall oven, without adding shelf in between | | | **Requires ventilation at the rear of the cavity | | | ***Spacer required only for standalone installation | | |

The models shown in this Planning Guide may not be available in all markets and are subject to change at any time. Product specifications may vary from those shown. This Planning Guide should not be used as installation guidance for any product. Further information is required to safely and correctly install the products featured here. Specific installation guidance will be available on our website fisherpaykel.com



VACUUM SEAL DRAWER
VB30SPEX1

WARMING DRAWER
WB30SPEX1

CONVECTION SPEED OVEN
OM30NPTX1

COMBINATION STEAM OVEN
OS30NPTX1

BUILT-IN COFFEE MAKER
EB30PSX1

COMBINATION STEAM OVEN
OS30SPTX1

OVEN
OB30SPPTX1

DOUBLE OVEN
OB30DPPTX1

POWER REQUIREMENTS

| | | | | | | | | |
|------------|----------------------------|----------------------------|-----------------------|-----------------------|------------------------------|-----------------------|-----------------------|-----------------------|
| Supply | 120 V, 60 Hz | 120 V, 60 Hz | 208 V or 240 V, 60 Hz | 208 V or 240 V, 60 Hz | 120 V, 60 Hz | 208 V or 240 V, 60 Hz | 208 V or 240 V, 60 Hz | 208 V or 240 V, 60 Hz |
| Service | 10 A | 10 A | 20 A | 20 A | 10 A | 20 A | 20 A | 40 A |
| Connection | Flex cord 70 7/8" (1800mm) | Flex cord 70 7/8" (1800mm) | Hard wired | Hard wired | Flex cord 66 15/16" (1700mm) | Hard wired | Hard wired | Hard wired |

WEIGHT

| | | | | | | | | |
|------------|--------------|-------------|--------------|--------------|-------------|--------------|---------------|---------------|
| Packaged | 120lb (54kg) | 82lb (37kg) | 121lb (55kg) | 121lb (55kg) | 68lb (31kg) | 152lb (69kg) | 242lb (110kg) | 405lb (184kg) |
| Unpackaged | 110lb (50kg) | 73lb (33kg) | 101lb (46kg) | 101lb (46kg) | 60lb (27kg) | 119lb (54kg) | 168lb (76kg) | 309lb (140kg) |

CAPACITY

| | | | | | | | | |
|------------------|---|---|----------------|-------------------|-------------------|-------------------|-----------------|--------------------------|
| Total oven | - | - | 1.7cu ft (49L) | 1.9cu ft (55L) | 1.7cu ft (49L) | 3cu ft (85L) | 4.1cu ft (115L) | 4.1cu ft (115L) per oven |
| Total water tank | - | - | - | 47.3 fl oz (1.4L) | 84.5 fl oz (2.5L) | 47.3 fl oz (1.4L) | - | - |

SERVICES

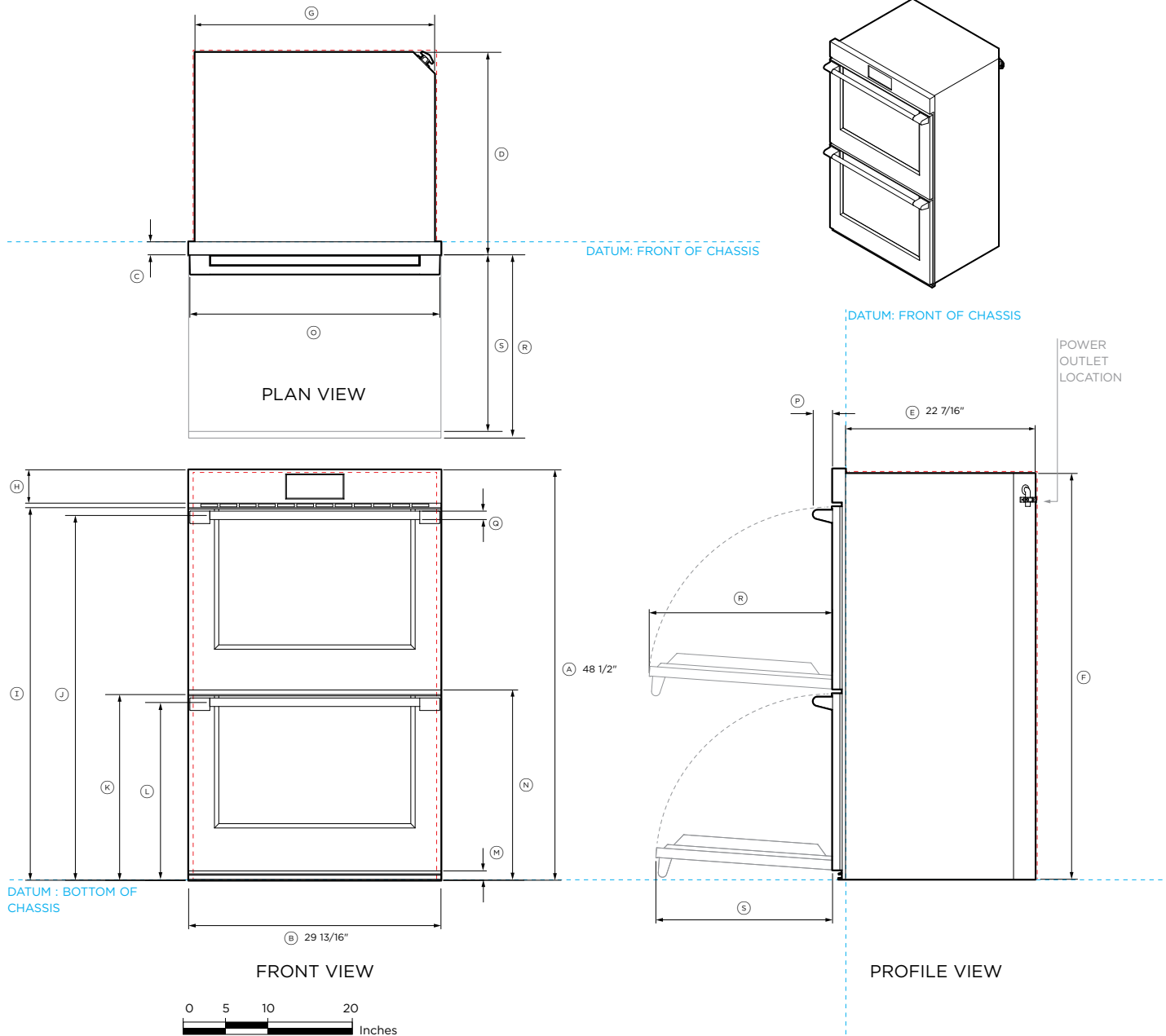
For more information on cord length, water supply and electrical requirements, refer to the 'Services' section of this Planning Guide.

WATER

All Coffee Makers and Steam Ovens have internal water tanks which need to be filled manually. No external water supply is required.

The models shown in this Planning Guide may not be available in all markets and are subject to change at any time. Product specifications may vary from those shown. This Planning Guide should not be used as installation guidance for any product. Further information is required to safely and correctly install the products featured here. Specific installation guidance will be available on our website fisherpaykel.com

DATA SHEETS



Model no:

Double Oven, 30" - OB30DPPTX1

Product Dimensions

| | in | mm |
|---|----------|------|
| Ⓐ Overall height of product | 48 1/2 | 1232 |
| Ⓑ Overall width of product | 29 13/16 | 757 |
| Ⓒ Depth of control panel (excludes handle) | 1 9/16 | 40 |
| Ⓓ Depth of chassis and control panel (excludes handle) | 24 | 609 |
| Ⓔ Depth of chassis | 22 7/16 | 569 |
| Ⓕ Height of chassis | 47 15/16 | 1218 |
| Ⓖ Width of chassis | 28 3/8 | 720 |
| Ⓗ Height of control panel | 3 15/16 | 100 |
| Ⓙ Height from bottom datum to top of upper oven door | 44 | 1118 |
| Ⓚ Height from bottom datum to centerline upper of handle | 43 1/8 | 1095 |
| Ⓛ Height from bottom datum to top of lower oven door | 21 15/16 | 557 |
| Ⓜ Height from bottom datum to centerline of lower handle | 21 | 533 |
| Ⓝ Height from bottom datum to bottom of lower door | 1 1/9 | 28 |
| Ⓞ Height from bottom datum to bottom of upper door | 22 1/2 | 571 |
| Ⓟ Width of handle (including standoffs) | 29 7/16 | 748 |
| Ⓠ Depth of handle (including standoffs) | 2 1/4 | 58 |
| Ⓡ Thickness of handle (not including standoffs) | 1 | 25 |
| Ⓢ Depth of lower door when open (measured from front of door) | 20 7/8 | 530 |
| Ⓣ Depth of upper door when open (measured from front of door) | 21 11/16 | 550 |

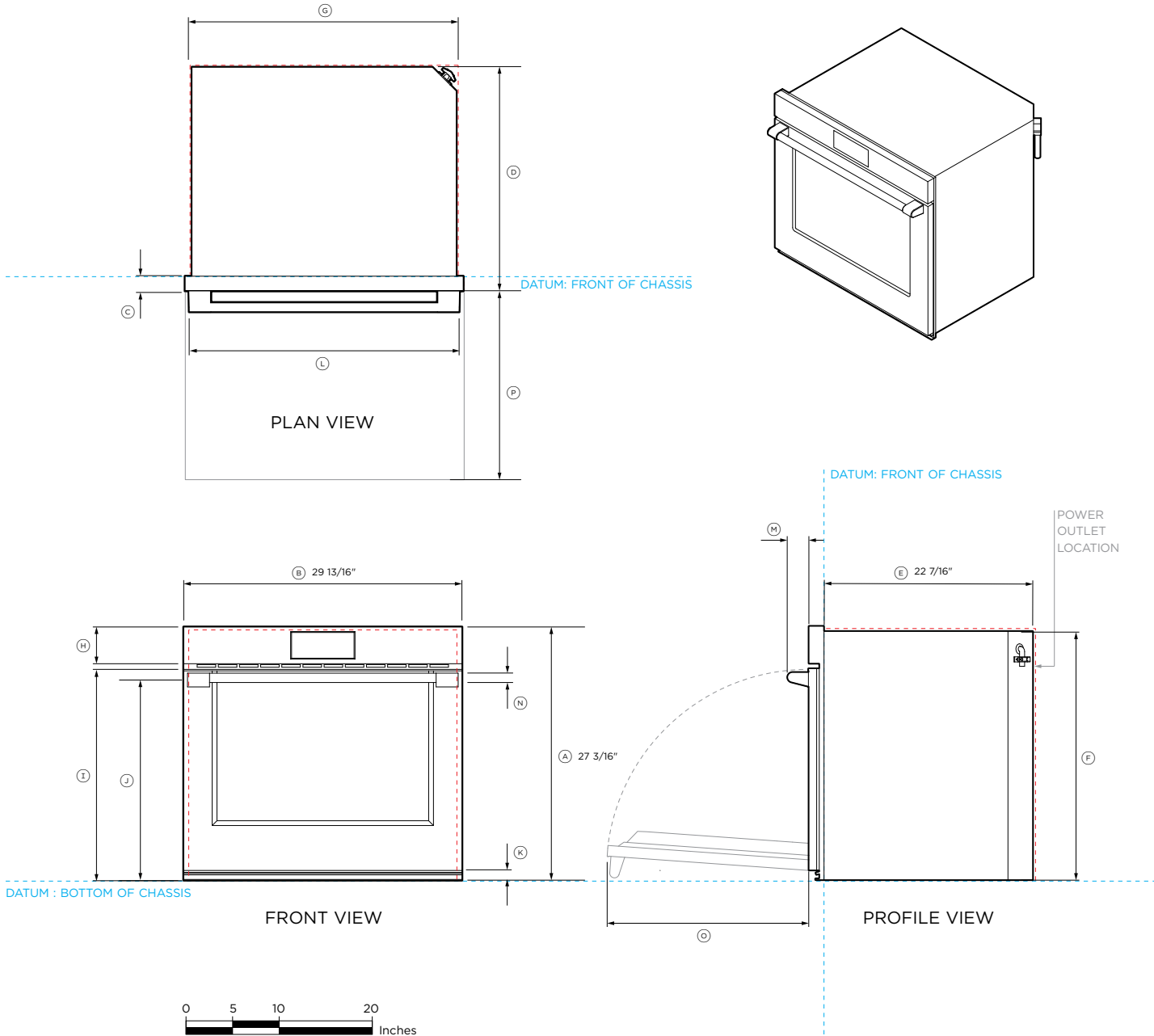
Minimum Clearances- Proud Installation

| | in | mm |
|--|---------|------|
| Minimum inside height of cavity | 48 3/16 | 1224 |
| Minimum inside width of cavity | 28 1/2 | 724 |
| Minimum inside depth of cavity | 22 5/8 | 575 |
| Minimum clearance above oven control panel to upper cabinetry front panel or appliance | 1/16 | 2 |
| Minimum clearance between bottom of oven chassis to lower cabinetry front panel or appliance | 1/16 | 2 |

Note: Depending on cabinet panel thickness a rebate around control panel might be required.
IMPORTANT NOTE: For full installation and clearance details please refer to our installation manual.

INDICATES CABINETRY / PRODUCT DATUM -----
 INDICATES CABINETRY CLEARANCES - - - - -

IMPORTANT NOTE: Throughout this guide, dimensions may vary by ±2mm (1/16"). Please read the Installation Guide for detailed information on installing the product. For full installation instructions visit fisherpaykel.com



Model no:
Oven, 30" - OB30SPPTX1

| Product Dimensions | in | mm |
|---|----------|-----|
| A Overall height of product | 27 3/16 | 690 |
| B Overall width of product | 29 13/16 | 757 |
| C Depth of control panel (excludes handle) | 1 9/16 | 40 |
| D Depth of chassis and control panel (excludes handle) | 24 | 609 |
| E Depth of chassis | 22 7/16 | 569 |
| F Height of chassis | 26 9/16 | 675 |
| G Width of chassis | 28 3/8 | 720 |
| H Height of control panel | 3 15/16 | 100 |
| I Height from bottom datum to top of oven door | 22 5/8 | 574 |
| J Height from bottom datum to centerline of handle | 21 11/16 | 551 |
| K Height from bottom datum to bottom of door | 1 | 26 |
| L Width of handle (including standoffs) | 28 15/16 | 735 |
| M Depth of handle (including standoffs) | 2 5/16 | 58 |
| N Thickness of handle (excluding standoffs) | 1 | 25 |
| O Depth of door when open (measured from front of door) | 21 11/16 | 550 |

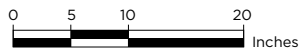
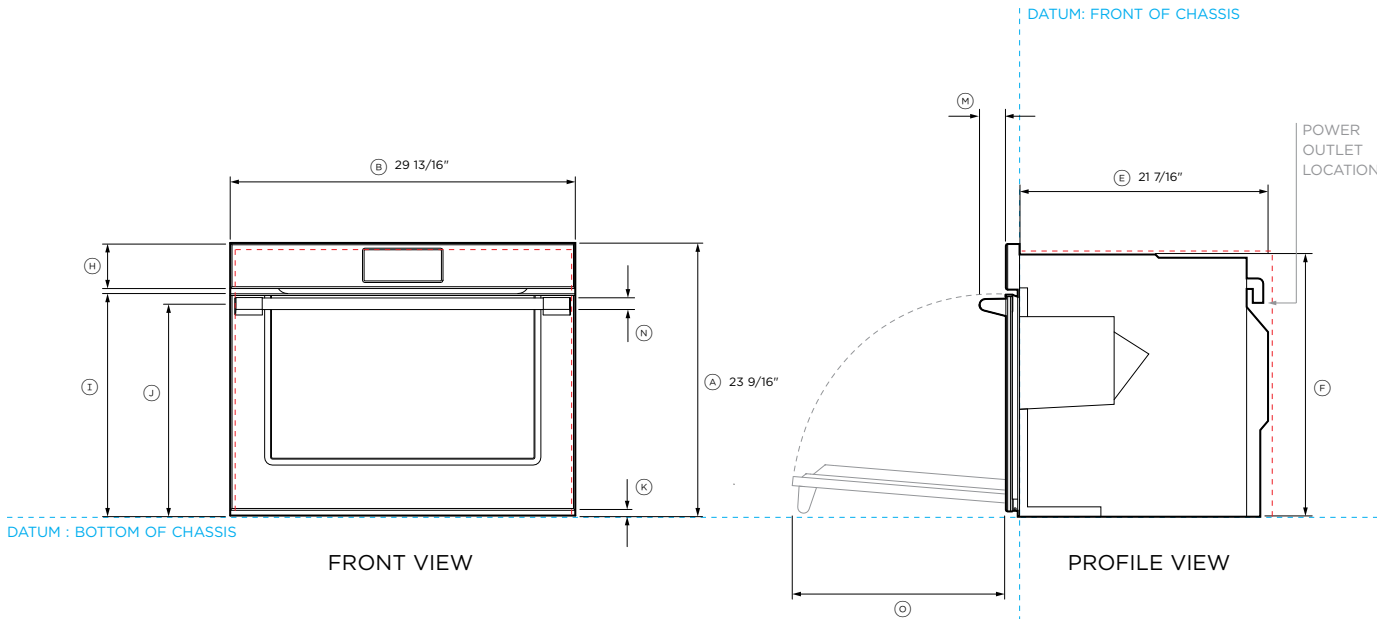
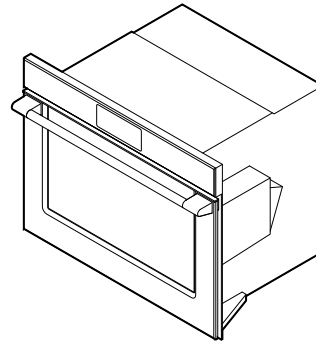
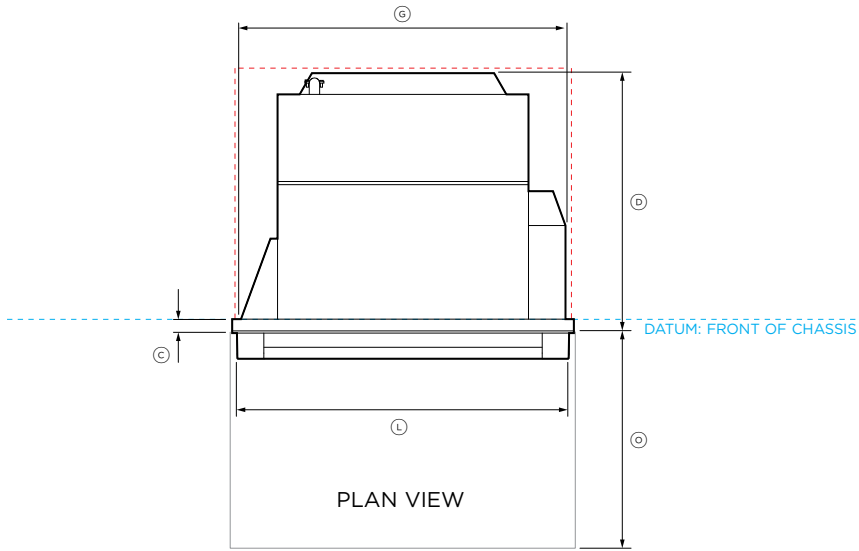
| Minimum Clearances- Proud Installation | in | mm |
|--|----------|-----|
| Minimum inside height of cavity | 26 13/16 | 681 |
| Minimum inside width of cavity | 28 1/2 | 724 |
| Minimum inside depth of cavity* | 22 5/8 | 575 |
| Minimum clearance above oven control panel to upper cabinetry front panel or appliance | 1/16 | 2 |
| Minimum clearance between bottom of oven chassis to lower cabinetry front panel or appliance | 1/16 | 2 |

Note: Depending on cabinet panel thickness a rebate around control panel might be required. Ensure a 3/16" (5mm) minimum clearance is maintained between the top of the oven chassis and the cabinetry. Ensure the oven is not bearing any weight from cabinetry or products installed above.

IMPORTANT NOTE: For full installation and clearance details please refer to our installation manual.

INDICATES CABINETRY / PRODUCT DATUM -----
INDICATES CABINETRY CLEARANCES - - - - -

IMPORTANT NOTE: Throughout this guide, dimensions may vary by ±2mm (1/16"). Please read the Installation Guide for detailed information on installing the product. For full installation instructions visit fisherpaykel.com



Model no:

Combination Steam Oven, 30" - OS30SPTX1

Product Dimensions

| | in | mm |
|---|----------|-----|
| A Overall height of product | 23 9/16 | 598 |
| B Overall width of product | 29 13/16 | 757 |
| C Depth of control panel (excludes handle) | 1 3/16 | 30 |
| D Depth of chassis and control panel (excludes handle) | 22 5/8 | 575 |
| E Depth of chassis | 22 7/16 | 545 |
| F Height of chassis | 22 5/8 | 575 |
| G Width of chassis | 28 3/8 | 720 |
| H Height of control panel | 3 15/16 | 100 |
| I Height from bottom datum to top of oven door | 19 3/16 | 487 |
| J Height from bottom datum to centerline of handle | 18 11/16 | 474 |
| K Height from bottom datum to bottom of door | 1/2 | 12 |
| L Width of handle | 29 | 737 |
| M Depth of handle | 2 1/2 | 58 |
| N Thickness of handle (excluding standoffs) | 1 1/2 | 38 |
| O Depth of door when open (measured from front of door) | 18 1/8 | 477 |

Minimum Clearances - Proud Installation

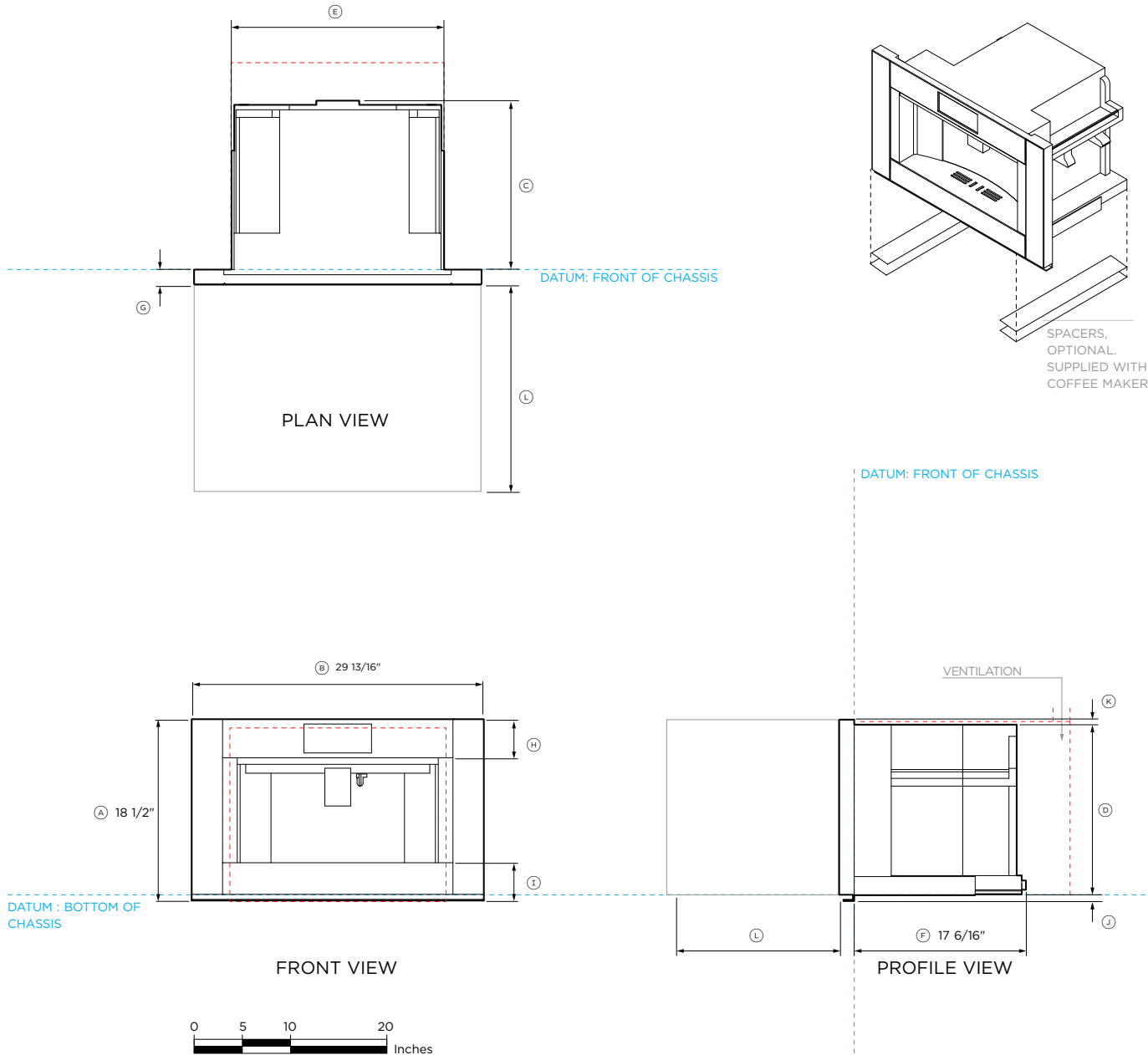
| | in | mm |
|--|--------|-----|
| Minimum inside height of cavity* | 23 1/6 | 586 |
| Minimum inside width of cavity | 28 1/2 | 724 |
| Minimum inside depth of cavity | 21 5/8 | 550 |
| Minimum clearance above oven control panel to upper cabinetry front panel or appliance | 1/16 | 2 |
| Minimum clearance between bottom of oven chassis to lower cabinetry front panel or appliance | 1/16 | 2 |

*Height includes a 1/4"(6mm) spacer in the base of the cavity (supplied with product)
Ensure a 3/16" (5mm) minimum clearance is maintained between the top of the oven chassis and the cabinetry. Ensure the oven is not bearing any weight from cabinetry or products installed above.

NOTE: For full installation and clearance details please refer to our installation manual.

INDICATES CABINETRY / PRODUCT DATUM -----
INDICATES CABINETRY CLEARANCES - - - - -

IMPORTANT NOTE: Throughout this guide, dimensions may vary by ±2mm (1/16"). Please read the Installation Guide for detailed information on installing the product. For full installation instructions visit fisherpaykel.com



Model no:

Built-in Coffee Maker, 30" - EB30PSX1

Product Dimensions

| | in | mm |
|---|----------|-----|
| (A) Overall height of product | 18 1/2 | 470 |
| (B) Overall width of product | 29 13/16 | 757 |
| (C) Overall depth of product | 19 1/16 | 484 |
| (D) Height of chassis | 17 7/16 | 442 |
| (E) Width of chassis | 22 1/16 | 560 |
| (F) Depth of chassis | 17 6/16 | 445 |
| (G) Depth of control panel | 1 9/16 | 40 |
| (H) Height of control panel | 3 15/16 | 100 |
| (I) Height from top of lower front panel to bottom of product | 3 7/8 | 98 |
| (J) Height from bottom of chassis to bottom of lower trim | 5/8 | 15 |
| (K) Stepdown from control panel to chassis | 1/2 | 13 |
| (L) Maximum extension of built-in coffee maker | 17 1/8 | 435 |

Minimum Clearances - Proud Installation

| | in | mm |
|--|---------|-----|
| Minimum inside cavity height from bottom of chassis* | 17 3/4 | 450 |
| Minimum inside width of cavity** | 22 1/16 | 560 |
| Minimum inside depth of cavity | 21 7/16 | 545 |
| Rear ventilation depth*** | 2 | 50 |
| Rear ventilation width*** | 22 1/16 | 560 |
| Minimum clearance above built-in coffee maker to upper cabinetry front panel or appliance | 1/16 | 2 |
| Minimum clearance between bottom of lower trim to lower cabinetry front panel or appliance | 1/16 | 2 |

*Additional panel of 5/8" (16mm) required at the base of the cavity for under bottom of chassis for standalone installation only

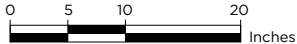
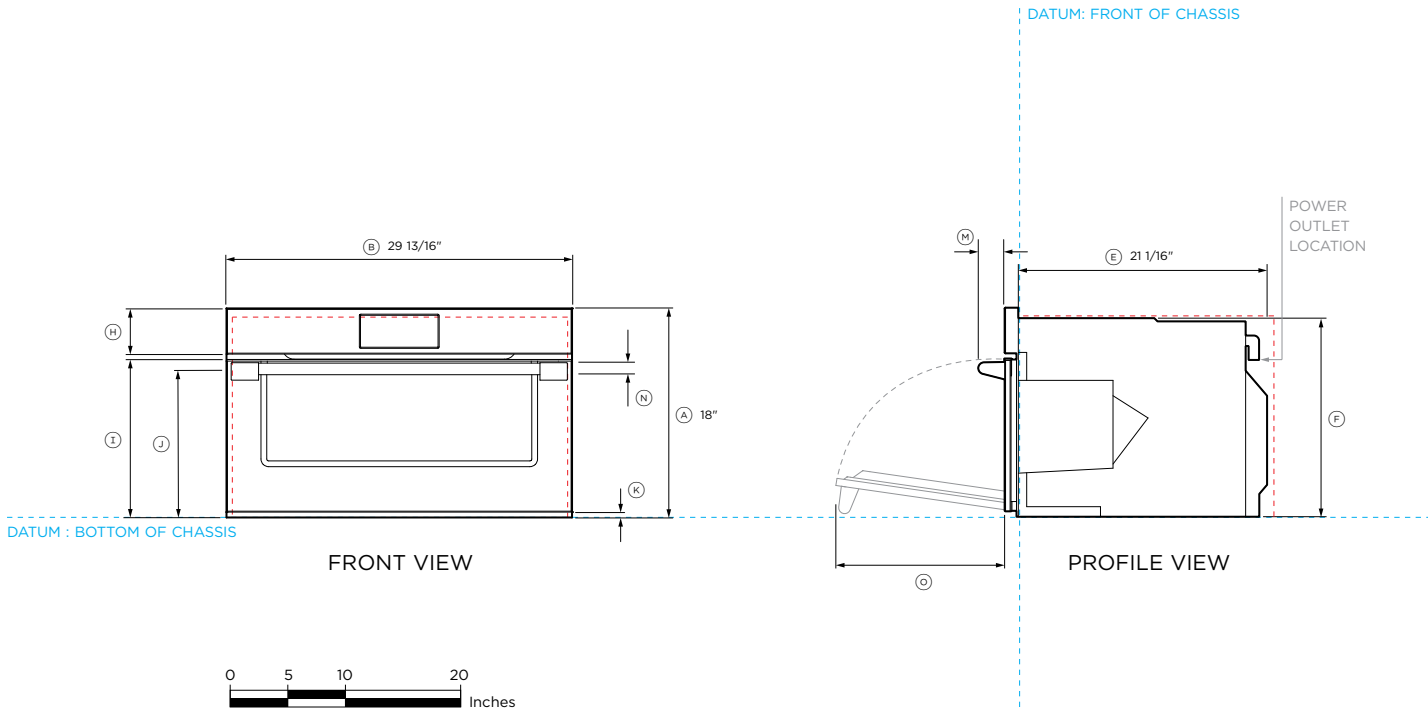
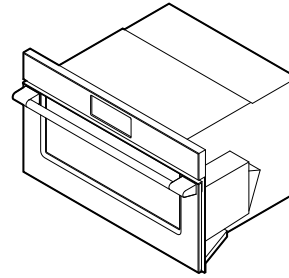
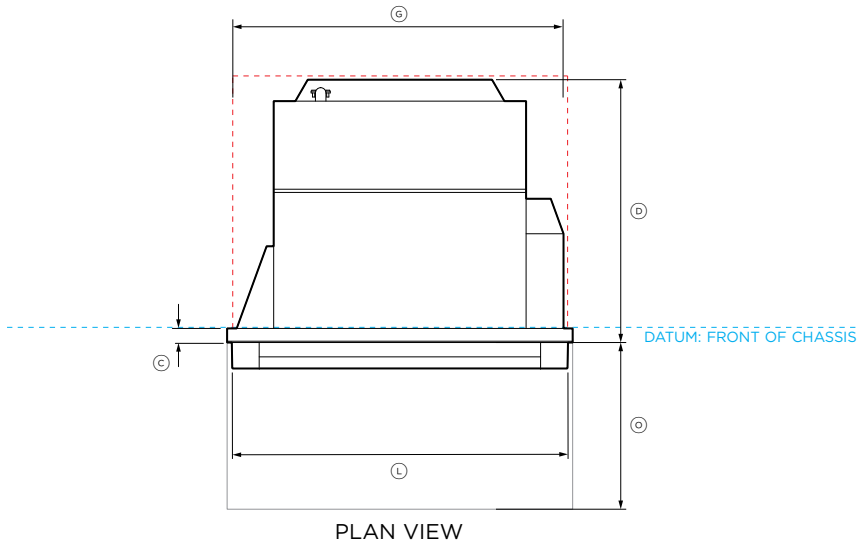
**Additional vertical sidewalls are required to secure the product

***Rear ventilation totalling 43.4in2 (280cm2) is required. The air vent must be located at the rear of cabinet, it can be positioned at the base, sides, back or top of the cavity.

NOTE: For full installation and clearance details please refer to our installation manual.

INDICATES CABINETRY / PRODUCT DATUM -----
 INDICATES CABINETRY CLEARANCES - - - - -

IMPORTANT NOTE: Throughout this guide, dimensions may vary by ±2mm (1/16"). Please read the Installation Guide for detailed information on installing the product. For full installation instructions visit fisherpaykel.com



Model no:

Combination Steam Oven, 30" - OS30NPTX1

Product Dimensions

| | in | mm |
|---|----------|-----|
| A Overall height of product | 18 | 458 |
| B Overall width of product | 29 13/16 | 757 |
| C Depth of control panel (excludes handle) | 1 3/16 | 30 |
| D Depth of chassis and control panel (excludes handle) | 22 5/8 | 575 |
| E Depth of chassis | 21 1/16 | 545 |
| F Height of chassis | 17 1/8 | 435 |
| G Width of chassis | 28 3/8 | 720 |
| H Height of control panel | 3 15/16 | 100 |
| I Height from bottom datum to top of oven door | 13 11/16 | 347 |
| J Height from bottom datum to centerline of handle | 12 3/4 | 324 |
| K Height from bottom datum to bottom of door | 1/2 | 12 |
| L Width of handle | 29 | 737 |
| M Depth of handle | 2 1/4 | 58 |
| N Thickness of handle | 1 1/2 | 38 |
| O Depth of door when open (measured from front of door) | 13 1/4 | 336 |

Minimum Clearances - Proud Installation

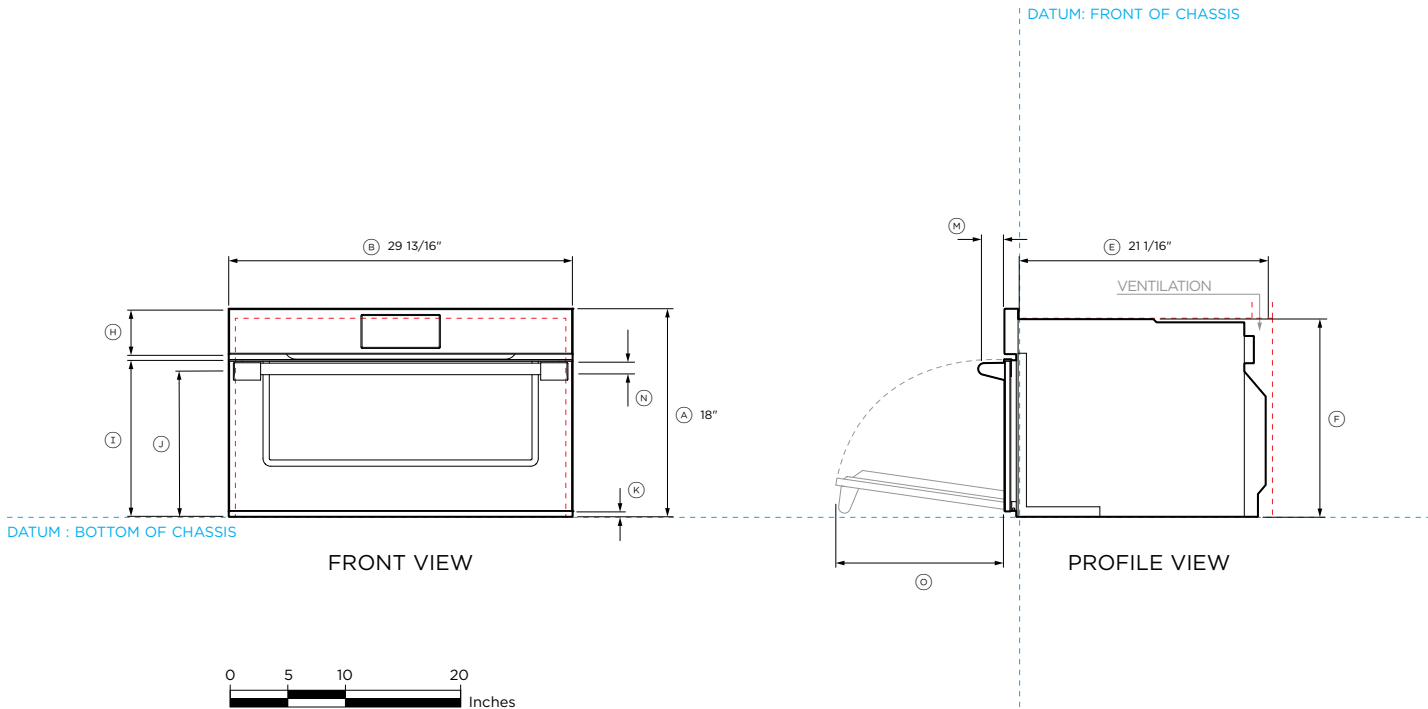
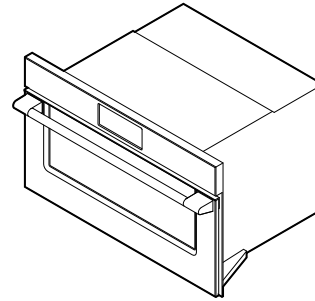
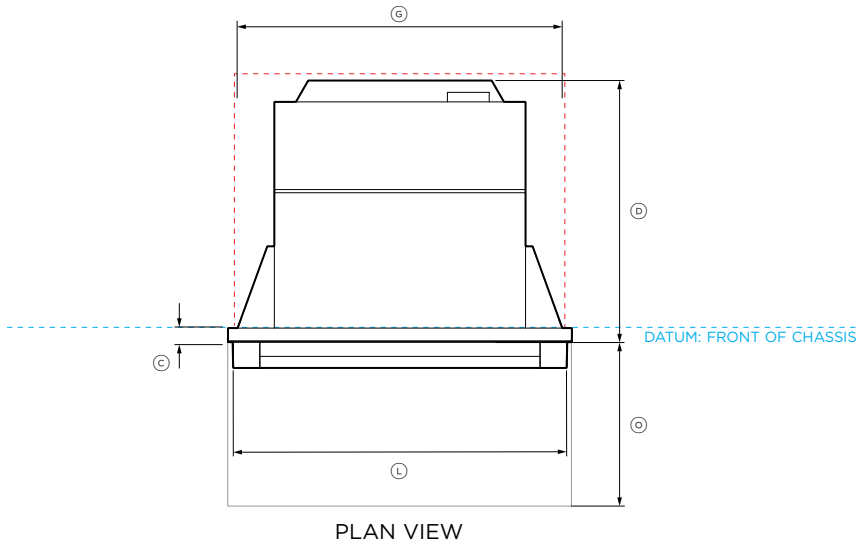
| | in | mm |
|--|---------|-----|
| Minimum inside height of cavity* | 17 9/16 | 446 |
| Minimum inside width of cavity | 28 1/2 | 724 |
| Minimum inside depth of cavity | 21 5/8 | 550 |
| Minimum clearance above oven control panel to upper cabinetry front panel or appliance | 1/16 | 2 |
| Minimum clearance between bottom of oven chassis to lower cabinetry front panel or appliance | 1/16 | 2 |

*Height includes a 1/4"(6mm) spacer in the base of the cavity (supplied with product)
Ensure a 3/16" (5mm) minimum clearance is maintained between the top of the oven chassis and the cabinetry. Ensure the oven is not bearing any weight from cabinetry or products installed above.

NOTE: For full installation and clearance details please refer to our installation manual.

INDICATES CABINERY / PRODUCT DATUM -----
INDICATES CABINERY CLEARANCES - - - - -

IMPORTANT NOTE: Throughout this guide, dimensions may vary by ±2mm (1/16"). Please read the Installation Guide for detailed information on installing the product. For full installation instructions visit fisherpaykel.com



Model no:

Convection Speed Oven, 30" - OM30NPTX1

Product Dimensions

| | in | mm |
|---|----------|-----|
| Ⓐ Overall height of product | 18 | 458 |
| Ⓑ Overall width of product | 29 13/16 | 757 |
| Ⓒ Depth of control panel (excludes handle) | 1 3/16 | 30 |
| Ⓓ Depth of chassis and control panel (excludes handle) | 22 5/8 | 575 |
| Ⓔ Depth of chassis | 21 1/16 | 545 |
| Ⓕ Height of chassis | 17 1/8 | 435 |
| Ⓖ Width of chassis | 28 3/8 | 720 |
| Ⓜ Height of control panel | 3 15/16 | 100 |
| Ⓜ Height from bottom datum to top of oven door | 13 11/16 | 347 |
| Ⓝ Height from bottom datum to centerline of handle | 12 3/4 | 324 |
| Ⓚ Height from bottom datum to bottom of door | 1/2 | 12 |
| Ⓛ Width of handle | 29 | 737 |
| Ⓜ Depth of handle | 2 1/4 | 58 |
| Ⓝ Thickness of handle | 1 1/2 | 38 |
| Ⓞ Depth of door when open (measured from front of door) | 13 1/4 | 336 |

Minimum Clearances - Proud Installation

| | in | mm |
|--|---------|-----|
| Minimum inside height of cavity* | 17 9/16 | 446 |
| Minimum inside width of cavity | 28 1/2 | 724 |
| Minimum inside depth of cavity | 21 5/8 | 550 |
| Rear ventilation depth** | 2 | 50 |
| Rear ventilation depth** | 22 1/16 | 560 |
| Minimum clearance above oven control panel to upper cabinetry front panel or appliance | 1/16 | 2 |
| Minimum clearance between bottom of oven chassis to lower cabinetry front panel or appliance | 1/16 | 2 |

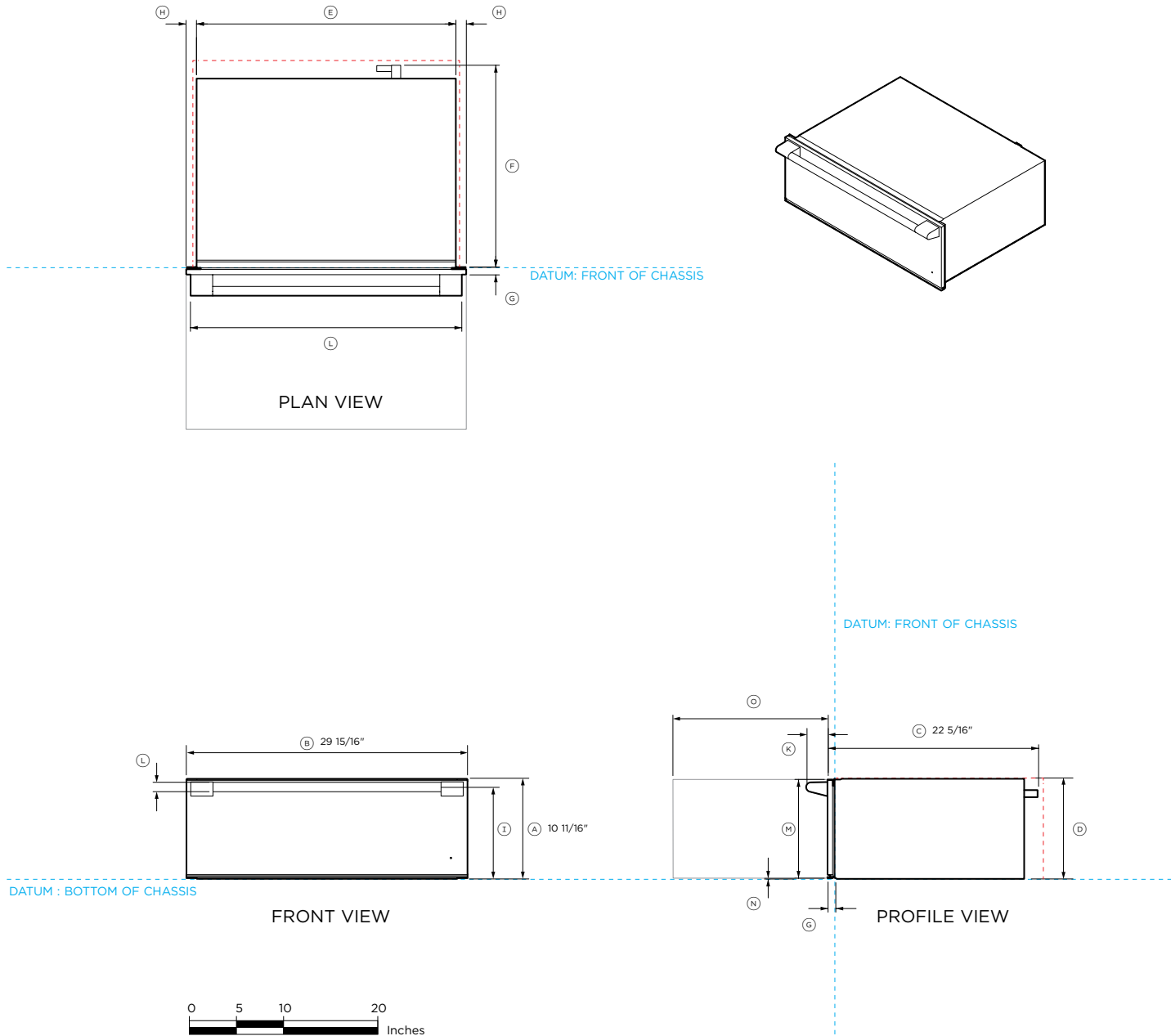
*Height includes a 1/4"(6mm) spacer in the base of the cavity (supplied with product)
 **Rear ventilation totalling 43.4in2 (280cm2) is required. The air vent must be located at the rear of cabinet, it can be positioned at the base, sides, back or top of the cavity.

Ensure a 3/16" (5mm) minimum clearance is maintained between the top of the oven chassis and the cabinetry. Ensure the oven is not bearing any weight from cabinetry or products installed above.

NOTE: For full installation and clearance details please refer to our installation manual.

INDICATES CABINERY / PRODUCT DATUM -----
 INDICATES CABINERY CLEARANCES - - - - -

IMPORTANT NOTE: Throughout this guide, dimensions may vary by ±2mm (1/16"). Please read the Installation Guide for detailed information on installing the product. For full installation instructions visit fisherpaykel.com



Model no:

Warming Drawer, 30" - WB30SPEX1

Product Dimensions

| | in | mm |
|--|----------|-----|
| Ⓐ Overall height of product | 10 11/16 | 271 |
| Ⓑ Overall width of product | 29 15/16 | 760 |
| Ⓒ Overall depth (incl. front panel & power plug) | 22 5/16 | 567 |
| Ⓓ Height of chassis | 10 11/16 | 271 |
| Ⓔ Width of chassis | 27 13/16 | 707 |
| Ⓕ Depth of chassis (includes power plug) | 21 9/16 | 547 |
| Ⓖ Depth of drawer front panel and flange | 13/16 | 20 |
| Ⓜ Distance from side of chassis to side of drawer front | 1 1/16 | 27 |
| Ⓣ Height from bottom of product to centre of handle rail | 9 13/16 | 249 |
| Ⓝ Width of handle | 29 | 736 |
| Ⓚ Depth of handle | 2 1/4 | 58 |
| Ⓛ Thickness of handle | 1 | 25 |
| Ⓜ Height of drawer front panel | 10 1/2 | 267 |
| Ⓝ Height from bottom of chassis to bottom of front panel | 1/16 | 2 |
| Ⓞ Depth of open drawer (measured from front of drawer panel) | 16 1/2 | 419 |

Minimum Clearances - Proud Installation

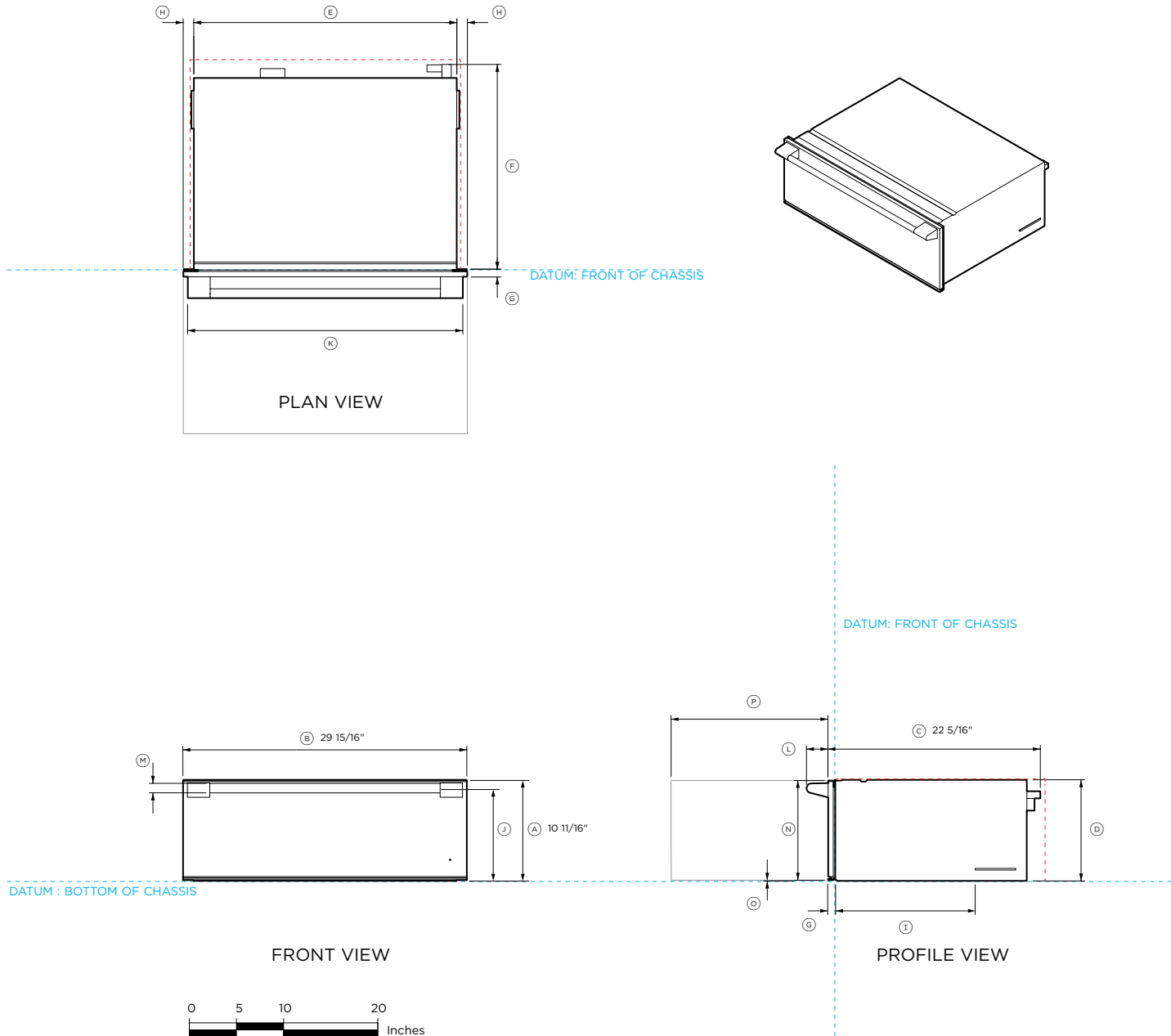
| | in | mm |
|--|---------|-----|
| Minimum inside height of cavity | 10 3/4 | 273 |
| Minimum inside width of cavity | 28 1/2 | 724 |
| Minimum inside depth of cavity | 22 1/16 | 560 |
| Minimum clearance above drawer front panel to upper cabinetry front panel or appliance* | 5/32 | 4 |
| Minimum clearance between bottom of drawer chassis to lower cabinetry front panel or appliance | 1/16 | 2 |

*Achieve a smaller gap between drawer front panel to upper cabinetry front panel by dropping cabinetry front panel down

NOTE: For full installation and clearance details please refer to our installation manual.

INDICATES CABINETRY / PRODUCT DATUM -----
 INDICATES CABINETRY CLEARANCES - - - - -

IMPORTANT NOTE: Throughout this guide, dimensions may vary by ±2mm (1/16"). Please read the Installation Guide for detailed information on installing the product. For full installation instructions visit fisherpaykel.com



Model no:

Vacuum Seal Drawer, 30" - VB30SPEX1

Product Dimensions

| | in | mm |
|--|----------|-----|
| A Overall height of product | 10 11/16 | 271 |
| B Overall width of product | 29 15/16 | 760 |
| C Overall depth (incl. front panel & power plug) | 22 5/16 | 567 |
| D Height of chassis | 10 11/16 | 271 |
| E Width of chassis | 27 13/16 | 707 |
| F Depth of chassis (includes power plug) | 21 9/16 | 547 |
| G Depth of drawer front panel and flange | 13/16 | 20 |
| H Distance from side of chassis to side of drawer front | 1 1/16 | 27 |
| I Distance from rear of flange to side bracket | 15 5/16 | 389 |
| J Height from bottom of product to centre of handle rail | 9 13/16 | 249 |
| K Width of handle | 29 | 736 |
| L Depth of handle | 2 1/4 | 58 |
| M Thickness of handle | 1 | 25 |
| N Height of drawer front panel | 10 1/2 | 267 |
| O Height from bottom of chassis to bottom of front panel | 1/16 | 2 |
| P Depth of open drawer (measured from front of drawer panel) | 16 1/2 | 419 |

Minimum Clearances - Proud Installation

| | in | mm |
|--|---------|-----|
| Minimum inside height of cavity | 10 3/4 | 273 |
| Minimum inside width of cavity | 28 1/2 | 724 |
| Minimum inside depth of cavity | 22 1/16 | 560 |
| Minimum clearance above drawer front panel to upper cabinetry front panel or appliance* | 5/32 | 4 |
| Minimum clearance between bottom of drawer chassis to lower cabinetry front panel or appliance | 1/16 | 2 |

*Achieve a smaller gap between drawer front panel to upper cabinetry front panel by dropping cabinetry front panel down

NOTE: For full installation and clearance details please refer to our installation manual.

INDICATES CABINETRY / PRODUCT DATUM -----
 INDICATES CABINETRY CLEARANCES - - - - -

IMPORTANT NOTE: Throughout this guide, dimensions may vary by ±2mm (1/16"). Please read the Installation Guide for detailed information on installing the product. For full installation instructions visit fisherpaykel.com

PLANNING CONSIDERATIONS

BLACK CLASHING

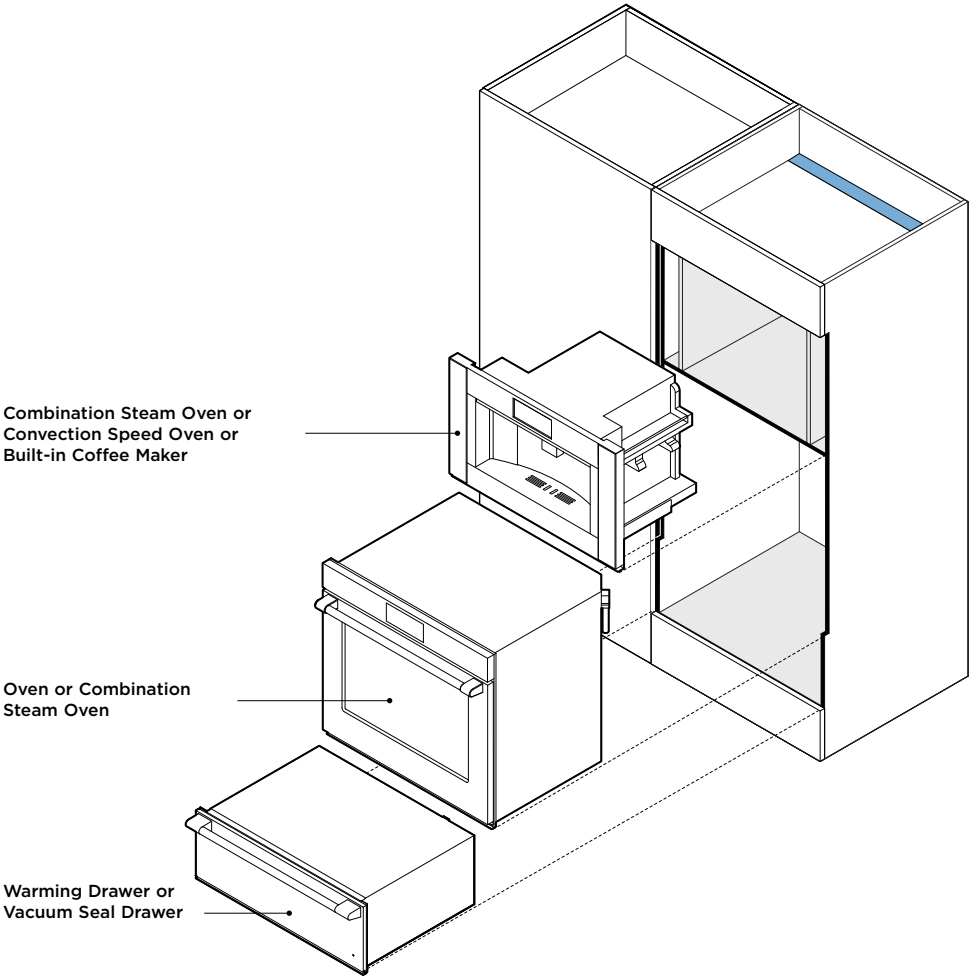
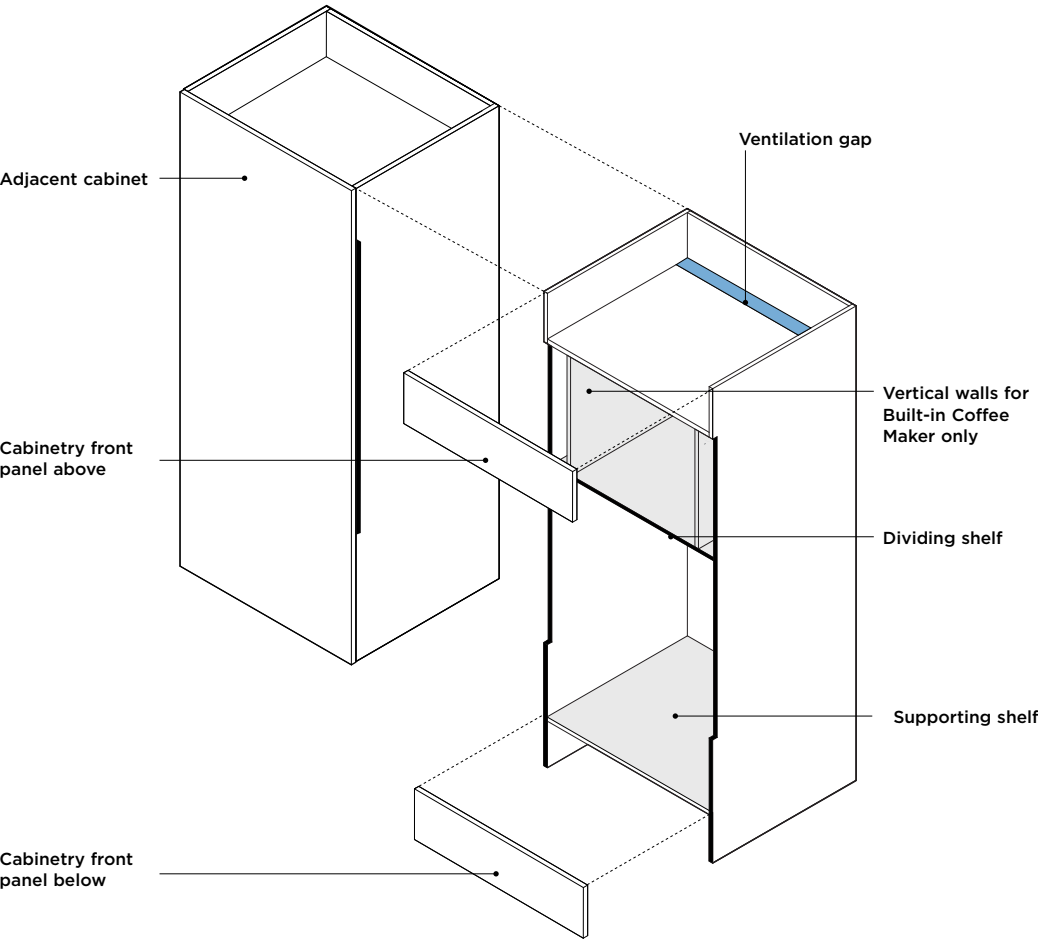
Black clashing recommended on front facing edges where products are located and on side cabinets if cabinet is rebated.

DIVIDING SHELF

If the cabinetry front panels are thinner than 13/16"(20mm) (less than the thickness of the appliance front) a rebate is required for the appliance to achieve a flush finish.

LEVEL CABINETRY

Check the shelves are level and the side panels are straight.



The models shown in this Planning Guide may not be available in all markets and are subject to change at any time. Product specifications may vary from those shown. This Planning Guide should not be used as installation guidance for any product. Further information is required to safely and correctly install the products featured here. Specific installation guidance will be available on our website fisherpaykel.com

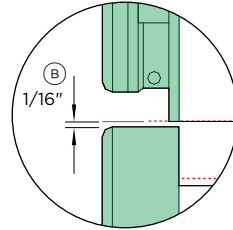
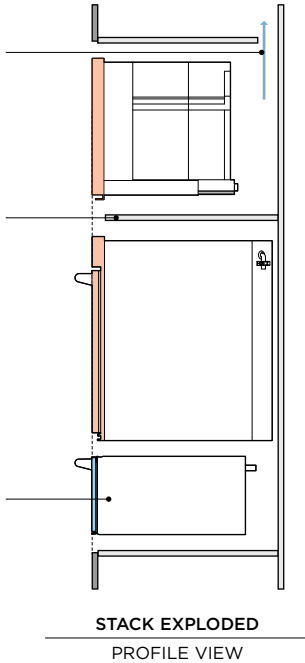
Ventilation air vent is required at rear for some products.

Dividing shelves are required to support stacked appliances and to achieve correct clearance.

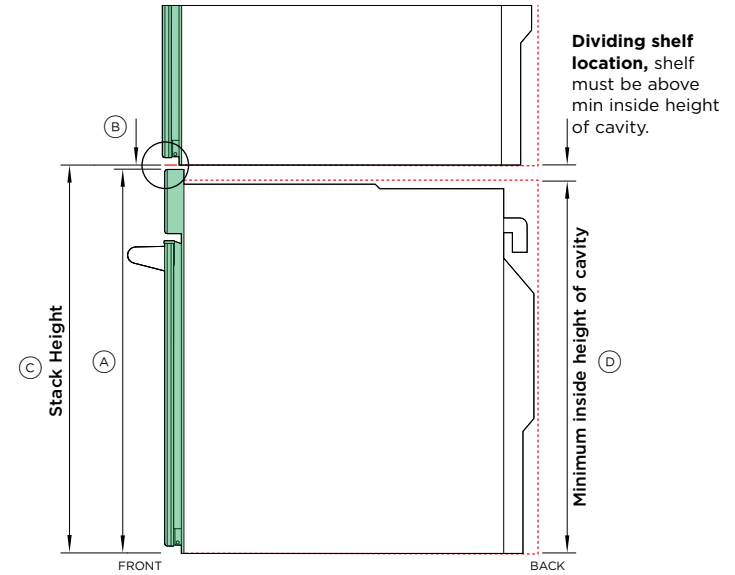
Dividing shelves must be constructed from material that will support the weight of the appliances.

Ensure the oven is not bearing any weight from cabinetry or products installed above.

Warming Drawers and Vacuum Seal Drawers can fully support a 30inch Fisher & Paykel oven, without adding a shelf in between.



Minimum clearance above appliance control panel to upper appliance



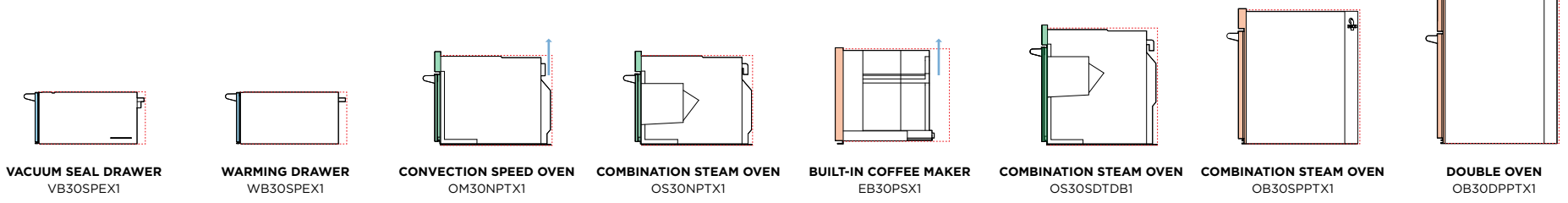
Dividing shelf location, shelf must be above min inside height of cavity.

STACK HEIGHT

(A) Overall product height
 +
 (B) Minimum clearance above appliance control panel or front panel to upper appliance
 =
 (C) Stacked Height

PRODUCT PROFILE VIEW

MINIMUM DIMENSION CLEARANCES



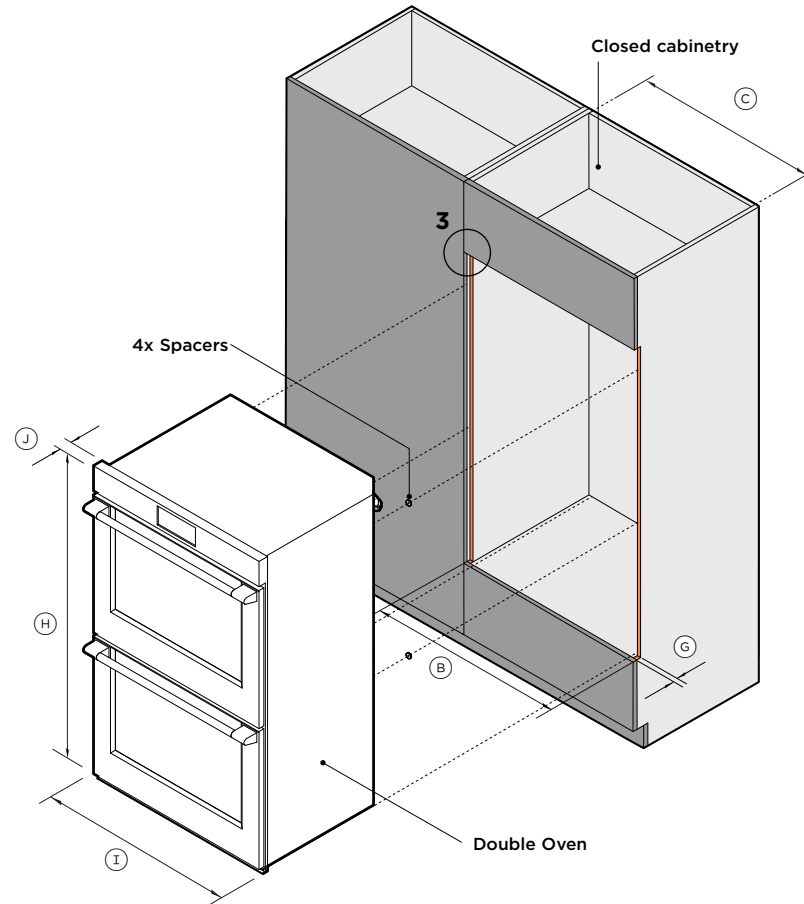
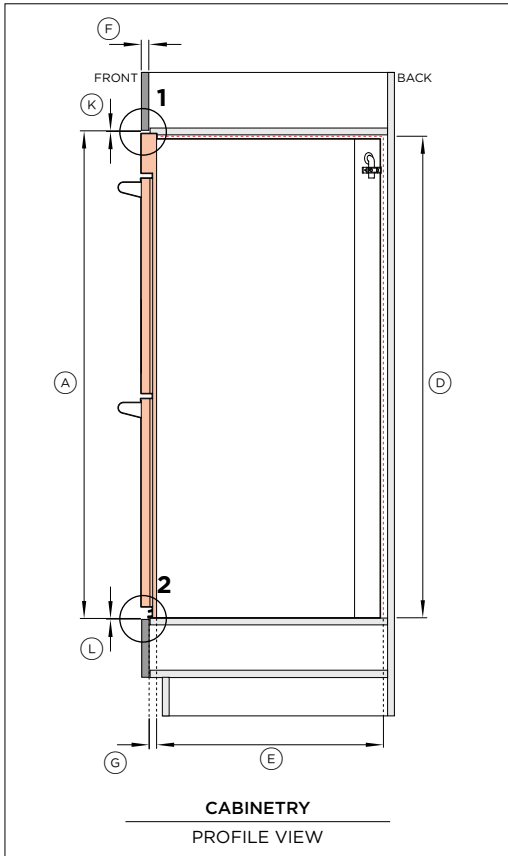
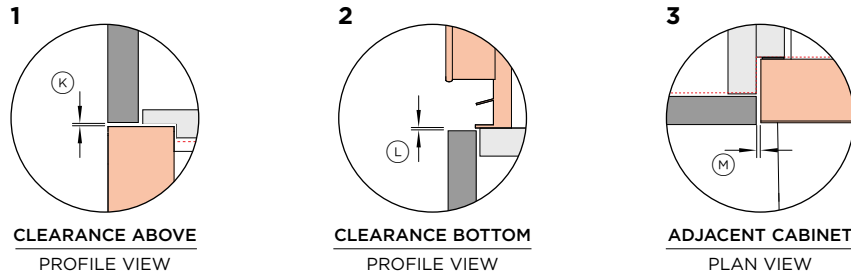
| | VACUUM SEAL DRAWER VB30SPEX1 | WARMING DRAWER WB30SPEX1 | CONVECTION SPEED OVEN OM30NPTX1 | COMBINATION STEAM OVEN OS30NPTX1 | BUILT-IN COFFEE MAKER EB30PSX1 | COMBINATION STEAM OVEN OS30SDTDB1 | COMBINATION STEAM OVEN OB30SPPTX1 | DOUBLE OVEN OB30DPPTX1 |
|-------------------------------------|---------------------------------|-----------------------------|------------------------------------|-------------------------------------|--|--------------------------------------|--------------------------------------|---------------------------|
| DIMENSIONS | | | | | | | | |
| (A) Overall product height | 10 11/16" (271mm) | 10 11/16" (271mm) | 18 1/4" (464mm)** | 18 1/4" (464mm)** | 18 1/2" (470mm) | 23 3/4" (604mm)** | 27 1/8" (690mm) | 48 1/2" (1232mm) |
| (B) Minimum clearance above | - | - | - | 1/16" (2mm) | 1/16" (2mm) | 1/16" (2mm) | 1/16" (2mm) | 1/16" (2mm) |
| (C) Stack height | 10 11/16" (271mm)* | 10 11/16" (271mm)* | 17 5/8" (448mm) | 17 5/8" (448mm) | 18 9/16" (472mm) | 23 5/8" (600mm) | 27 3/16" (692mm) | 48 9/16" (1234mm) |
| (D) Minimum inside height of cavity | 10 11/16" (271mm) | 10 11/16" (271mm) | 18 3/8" (446mm)** | 18 3/8" (446mm)** | 17 3/4" (450mm) from bottom of chassis | 23 1/16" (586mm)** | 26 13/16" (681mm) | 48 3/16" (1224mm) |

*Drawers can fully support 30inch Fisher & Paykel wall oven, without adding shelf in between

**Height includes a 1/4"(6mm) spacer in the base of the cavity (supplied with product)

NOTE: Stack height is overall product height with minimum clearance above appliance control panel or front panel to upper appliance.

The models shown in this Planning Guide may not be available in all markets and are subject to change at any time. Product specifications may vary from those shown. This Planning Guide should not be used as installation guidance for any product. Further information is required to safely and correctly install the products featured here. Specific installation guidance will be available on our website fisherpaykel.com



Model no:
Double Oven, 30" - OB30DPPTX1

| Cabinetry Dimensions - Flush Installation | | |
|--|-------------|-----------|
| | inch | mm |
| Ⓐ Overall cabinet height | 48 9/16 | 1234 |
| Ⓑ Overall cabinet width | 30 1/16 | 764 |
| Ⓒ Minimum inside width of cavity | 28 1/2 | 724 |
| Ⓓ Minimum inside height of cavity | 48 3/16 | 1224 |
| Ⓔ Minimum inside depth of cavity | 22 5/8 | 575 |
| Ⓕ Thickness of cabinetry front panel* | 3/4 | 19 |
| Ⓖ Thickness of rebate for control panel** | 15/16 | 23 |

*Cabinetry shown in drawings 3/4" (19mm) panels
**Oven requires 1/16" (2mm) spacers for screws (4x supplied)

Note: Overall cabinet height is overall product height with minimum clearance above oven control panel to upper cabinetry front panel.

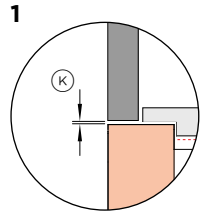
| Product Dimensions | | |
|-----------------------------------|-------------|-----------|
| | inch | mm |
| Ⓗ Overall height of product | 48 1/2 | 1232 |
| Ⓘ Overall width of product | 29 13/16 | 757 |
| Ⓢ Thickness of oven control panel | 1 9/16 | 40 |

| Cabinetry Clearances | | |
|---|-------------|-----------|
| | inch | mm |
| Ⓚ Minimum clearance above oven control panel to upper cabinetry front panel | 1/16 | 2 |
| Ⓛ Minimum clearance between bottom of oven chassis to lower cabinetry front panel | 1/16 | 2 |
| Ⓜ Minimum clearance between adjacent front panel or appliance | 1/8 | 3 |

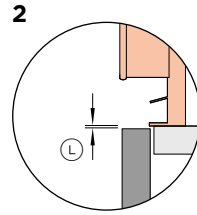
The models shown in this Planning Guide may not be available in all markets and are subject to change at any time. Product specifications may vary from those shown. This Planning Guide should not be used as installation guidance for any product. Further information is required to safely and correctly install the products featured here. Specific installation guidance will be available on our website fisherpaykel.com

COOKTOP CLEARANCE

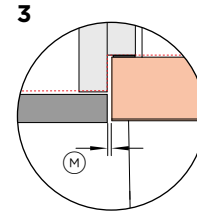
If installing a cooktop above the oven, ensure adequate clearance is provided for the cooktop as per the cooktop manufacturer's instructions.



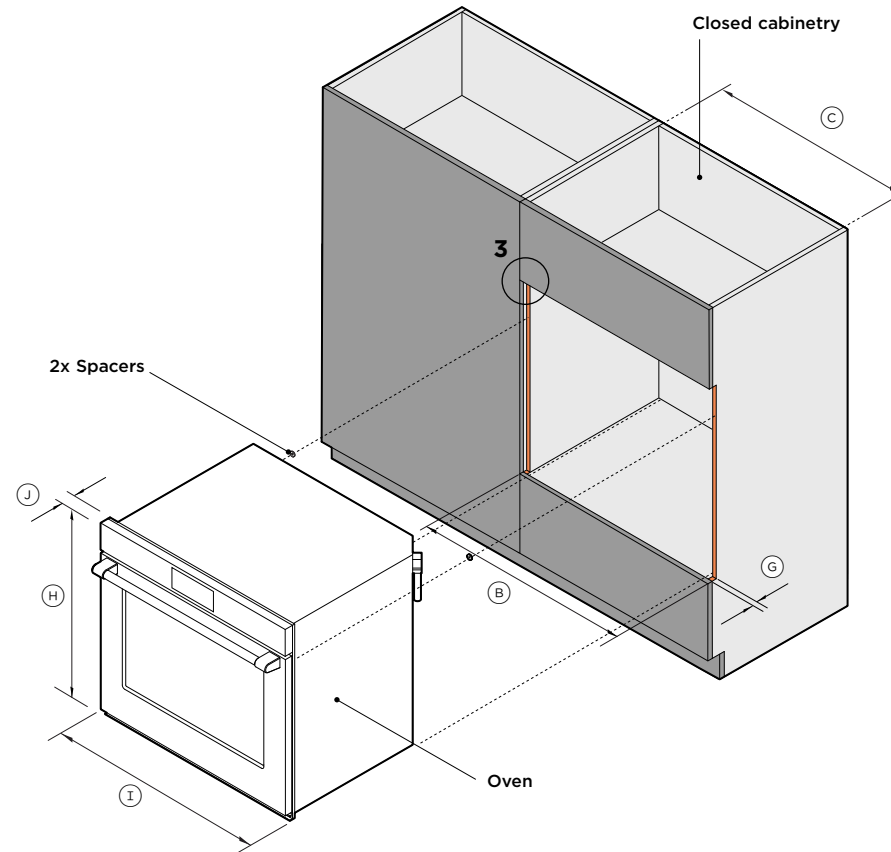
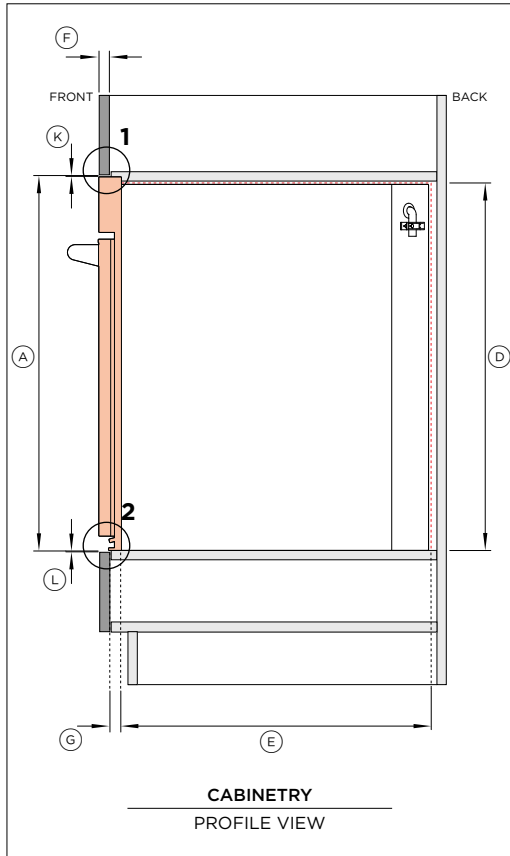
1
CLEARANCE ABOVE
PROFILE VIEW



2
CLEARANCE BOTTOM
PROFILE VIEW



3
ADJACENT CABINET
PLAN VIEW



Model no:

Oven, 30" - OB30SPPTX1

| Cabinetry Dimensions - Flush Installation | | inch | mm |
|--|---|----------|-----|
| Ⓐ | Overall cabinet height | 27 1/4 | 692 |
| Ⓑ | Overall cabinet width | 30 1/16 | 764 |
| Ⓒ | Minimum inside width of cavity | 28 1/2 | 724 |
| Ⓓ | Minimum inside height of cavity | 26 13/16 | 681 |
| Ⓔ | Minimum inside depth of cavity | 22 5/8 | 575 |
| Ⓕ | Thickness of cabinetry front panel* | 3/4 | 19 |
| Ⓖ | Thickness of rebate for control panel** | 15/16 | 23 |

*Cabinetry shown in drawings 3/4" (19mm) panels

**Oven requires 1/16" (2mm) spacers for screws (2x supplied)

Note: Overall cabinet height is overall product height with minimum clearance above oven control panel to upper cabinetry front panel.

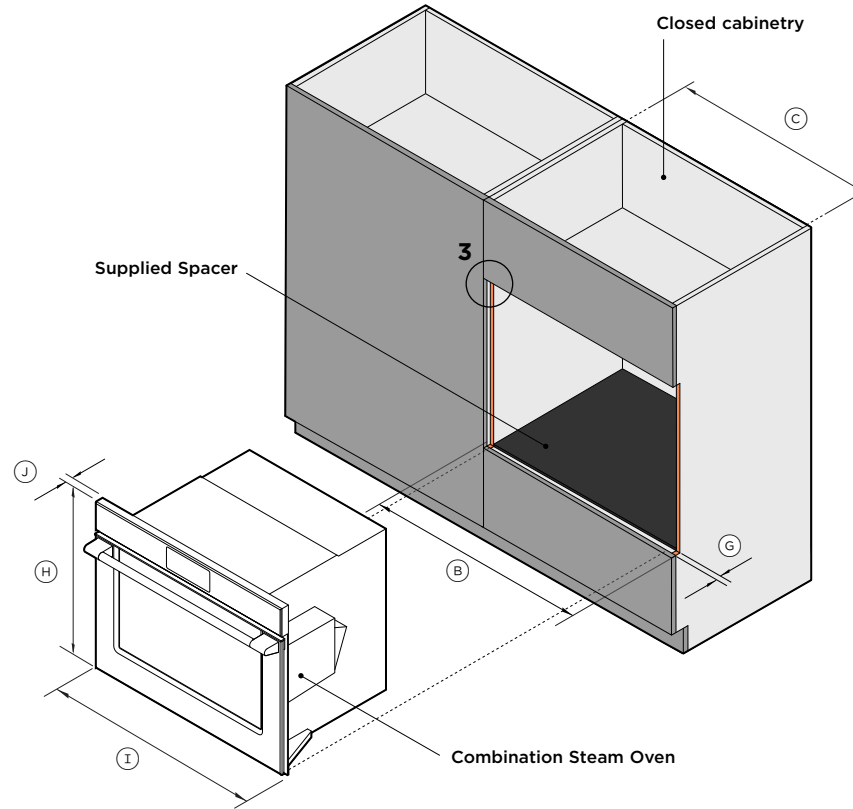
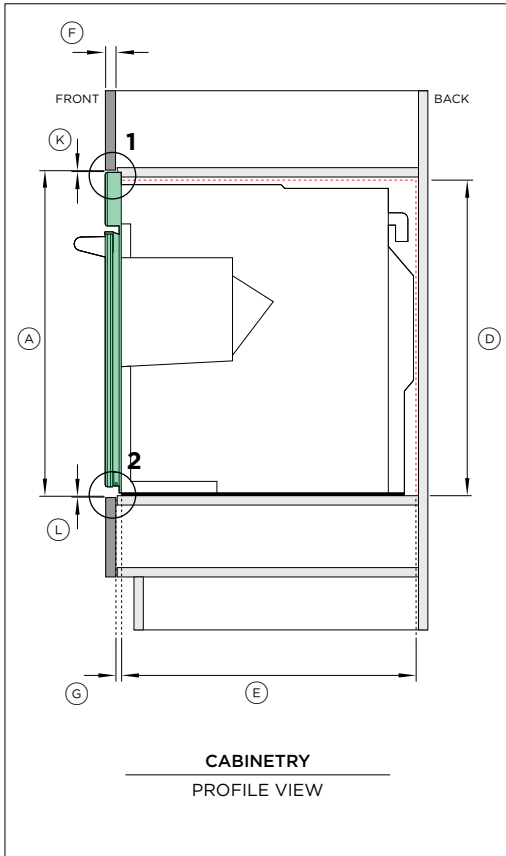
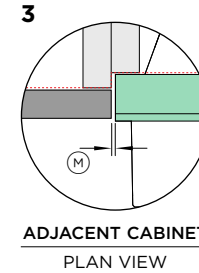
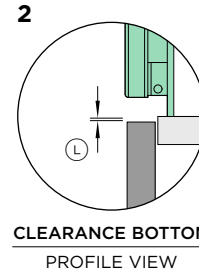
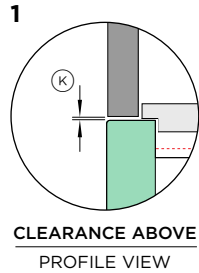
| Product Dimensions | | inch | mm |
|---------------------------|---------------------------------|----------|-----|
| Ⓘ | Overall height of product | 27 3/16 | 690 |
| Ⓚ | Overall width of product | 29 13/16 | 757 |
| Ⓛ | Thickness of oven control panel | 1 9/16 | 40 |

| Cabinetry Clearances | | inch | mm |
|-----------------------------|---|------|----|
| Ⓚ | Minimum clearance above oven control panel to upper cabinetry front panel | 1/16 | 2 |
| Ⓛ | Minimum clearance between bottom of oven chassis to lower cabinetry front panel | 1/16 | 2 |
| Ⓜ | Minimum clearance between adjacent front panel or appliance | 1/8 | 3 |

The models shown in this Planning Guide may not be available in all markets and are subject to change at any time. Product specifications may vary from those shown. This Planning Guide should not be used as installation guidance for any product. Further information is required to safely and correctly install the products featured here. Specific installation guidance will be available on our website fisherpaykel.com

COOKTOP CLEARANCE

If installing a cooktop above the oven, ensure adequate clearance is provided for the cooktop as per the cooktop manufacturer's instructions.



Model no:
Combination Steam Oven, 30" - OS30SPTX1

| Cabinetry Dimensions - Flush Installation | | |
|--|-------------|-----------|
| | inch | mm |
| Ⓐ Overall cabinet height* | 23 7/8 | 606 |
| Ⓑ Overall cabinet width | 30 1/16 | 764 |
| Ⓒ Minimum inside width of cavity | 28 1/2 | 724 |
| Ⓓ Minimum inside height of cavity* | 23 1/6 | 586 |
| Ⓔ Minimum inside depth of cavity | 21 5/8 | 550 |
| Ⓕ Thickness of cabinetry front panel** | 3/4 | 19 |
| Ⓖ Thickness of rebate for control panel | 7/16 | 11 |

*Height includes a 1/4"(6mm) spacer in the base of the cavity (supplied with product)

**Cabinetry shown in drawings 3/4" (19mm) panels. If the front panel is thinner than 13/16" (20mm) a rebate for the Oven is required to achieve a flush finish

Note: Overall cabinet height is overall product height with minimum clearance above oven control panel to upper cabinetry front panel.

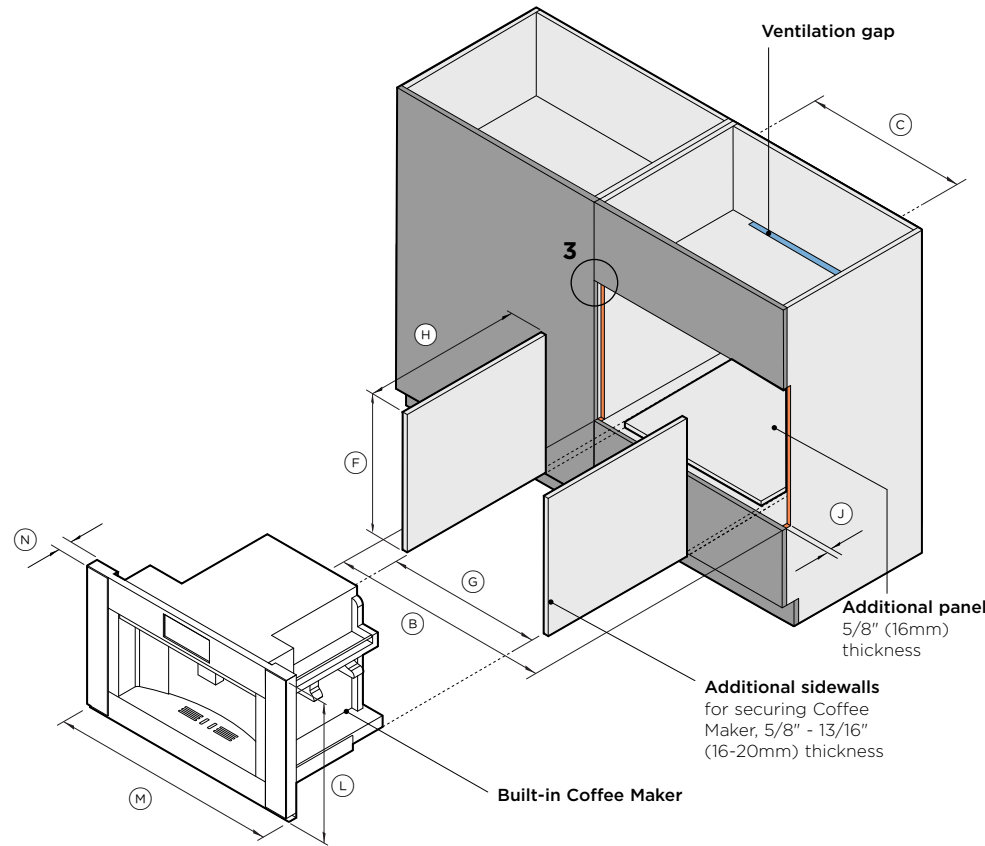
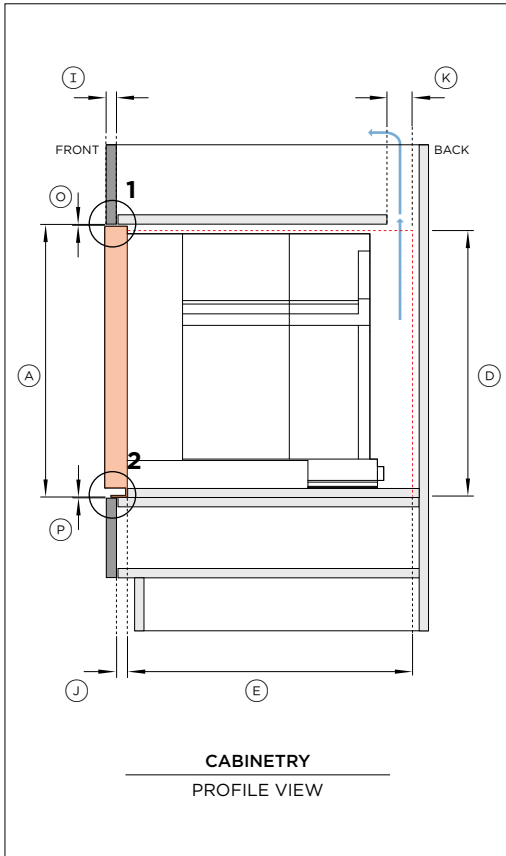
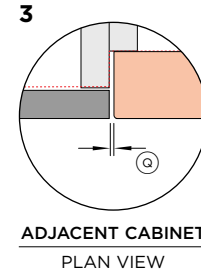
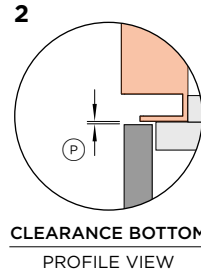
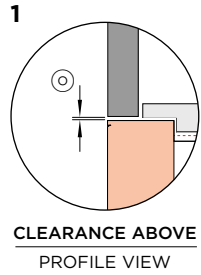
| Product Dimensions | | |
|---------------------------------|-------------|-----------|
| | inch | mm |
| Ⓓ Overall height of product | 23 9/16 | 598 |
| Ⓘ Overall width of product | 29 13/16 | 757 |
| Ⓞ Thickness of oven front panel | 1 3/16 | 30 |

| Cabinetry Clearances | | |
|--|-------------|-----------|
| | inch | mm |
| Ⓚ Minimum clearance above oven control panel to upper cabinetry front panel | 1/16 | 2 |
| Ⓒ Minimum clearance between bottom of oven spacer to lower cabinetry front panel | 1/16 | 2 |
| Ⓜ Minimum clearance between adjacent front panel or appliance | 1/8 | 3 |

The models shown in this Planning Guide may not be available in all markets and are subject to change at any time. Product specifications may vary from those shown. This Planning Guide should not be used as installation guidance for any product. Further information is required to safely and correctly install the products featured here. Specific installation guidance will be available on our website fisherpaykel.com

VENTILATION

Ventilation of 2" x 22 1/16" (50mm x 560mm) or totalling 43.4in² (280cm²) is required. The air vent must be located at the rear of cabinet, it can be positioned at the base, top, sides, or back.



Model no:
Built-in Coffee Maker, 30" - EB30PSX1

| Cabinetry Dimensions - Flush Installation | | inch | mm |
|--|---|-------------|-----------|
| Ⓐ | Overall cabinet height* | 18 5/8 | 473 |
| Ⓞ | Overall cabinet width | 30 1/16 | 764 |
| Ⓢ | Minimum inside width of cavity | 22 1/16 | 560 |
| Ⓣ | Minimum inside height of cavity* | 18 3/8 | 466 |
| Ⓤ | Minimum inside depth of cavity | 22 13/16 | 585 |
| Ⓦ | Minimum height of additional side walls | 18 3/8 | 466 |
| Ⓧ | Width between additional side walls | 22 1/16 | 560 |
| Ⓨ | Minimum depth of additional side walls | 22 7/16 | 570 |
| Ⓩ | Thickness of cabinetry front panel** | 3/4 | 19 |
| ⓐ | Thickness of rebate for control panel | 13/16 | 21 |
| ⓑ | Ventilation gap*** | 2 | 50 |

*Includes height for a 5/8" (16mm) additional panel at base of cavity
 **Cabinetry shown in drawings 3/4" (19mm) panels.
 ***A rear ventilation air vent totalling 43.4in² (280cm²) is required. The air vent must be located at the rear of the cabinet, it can be positioned at the base, sides, back or top of the cavity.

Note:Overall cabinet height is overall product height with minimum clearance above coffee maker control panel to upper cabinetry front panel.

| Product Dimensions | | inch | mm |
|---------------------------|--|-------------|-----------|
| Ⓛ | Overall height of product | 18 1/2 | 470 |
| Ⓜ | Overall width of product | 29 | 757 |
| Ⓝ | Thickness of built-in coffee maker front panel | 1 9/16 | 40 |

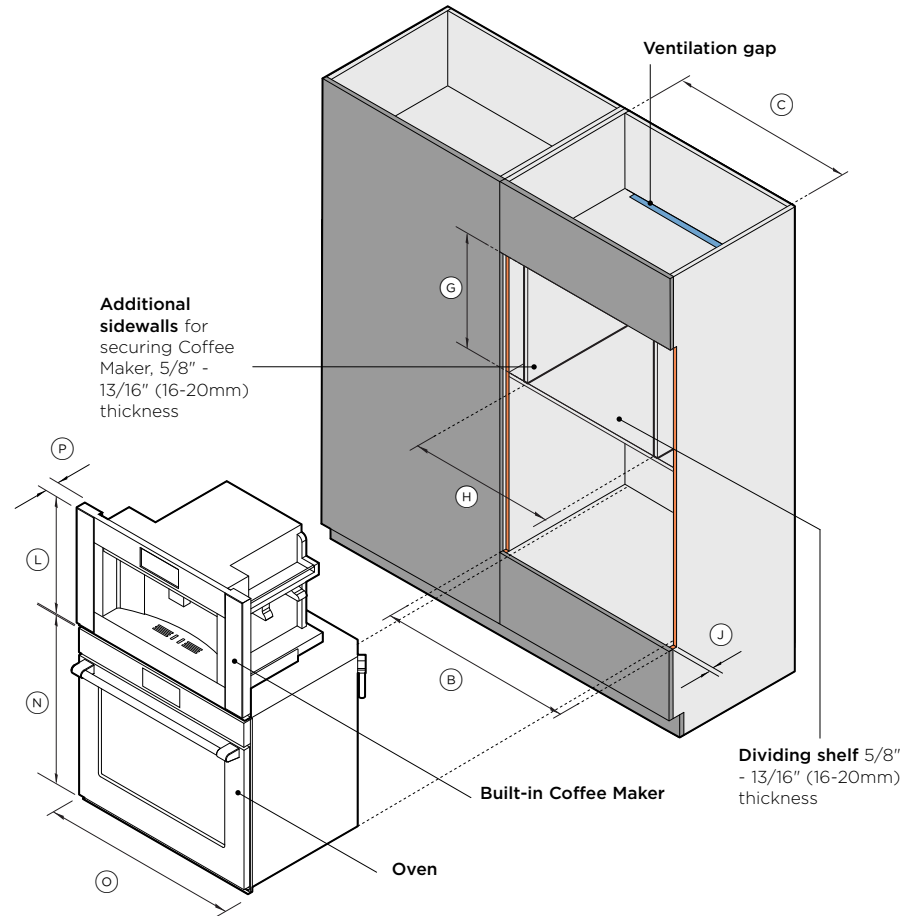
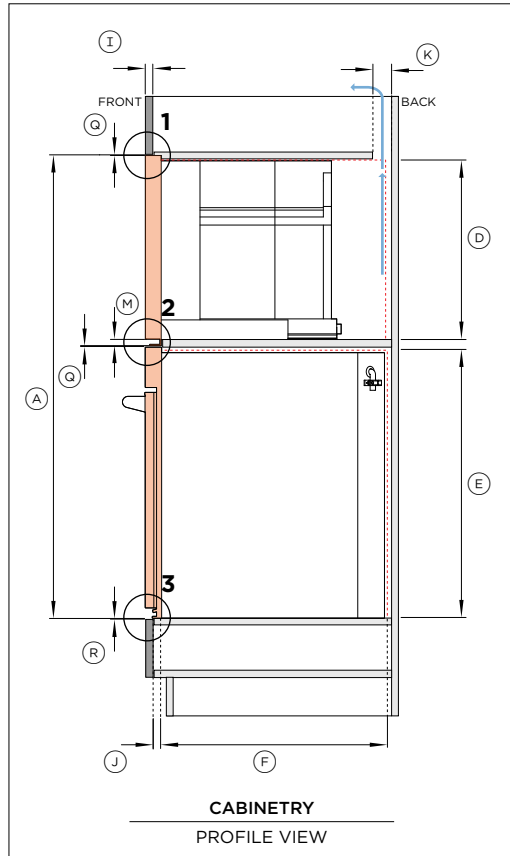
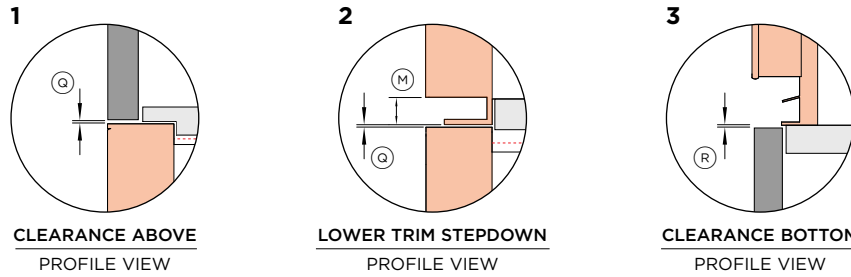
| Cabinetry Clearances | | inch | mm |
|-----------------------------|--|-------------|-----------|
| Ⓞ | Minimum clearance above built-in coffee maker front panel to upper cabinetry front panel | 1/16 | 2 |
| Ⓟ | Minimum clearance between bottom of built-in coffee maker to lower cabinetry front panel | 1/16 | 2 |
| Ⓠ | Minimum clearance between adjacent front panel or appliance | 1/8 | 3 |

The models shown in this Planning Guide may not be available in all markets and are subject to change at any time. Product specifications may vary from those shown. This Planning Guide should not be used as installation guidance for any product. Further information is required to safely and correctly install the products featured here. Specific installation guidance will be available on our website fisherpaykel.com

ADDITIONAL PANEL

Standalone installation requires additional panel of 5/8" (16mm) under the coffee maker chassis.

No additional panel required for stacked installation.



Model no:

Built-in Coffee Maker, 30" - EB30PSX1
Oven, 30" - OB30SPPTX1

| Cabinetry Dimensions - Flush Installation | | inch | mm |
|---|--|----------|------|
| A | Stack height | 45 13/16 | 1164 |
| B | Overall cabinet width | 30 1/16 | 764 |
| C | Minimum inside width of cavity | 28 1/2 | 724 |
| D | Minimum inside height of built-in coffee maker cavity (excludes lower trim stepdown) | 17 3/4 | 450 |
| E | Minimum inside height of oven cavity | 26 13/16 | 681 |
| F | Minimum inside depth of cavity and additional side walls | 22 5/8 | 575 |
| G | Minimum height of additional side walls | 18 1/2 | 470 |
| H | Width between additional side walls | 22 1/16 | 560 |
| I | Thickness of cabinetry front panel* | 3/4 | 19 |
| J | Thickness of rebate for control panel | 13/16 | 21 |
| K | Ventilation gap** | 2 | 50 |

*Cabinetry shown in drawings 3/4" (19mm) panels.

**A rear ventilation air vent totalling 43.4in² (280cm²) is required. The air vent must be located at the rear of the cabinet, it can be positioned at the base, sides, back or top of the cavity.

Note: Stack height is overall product height with minimum clearance above appliance control panel or front panel to upper appliance.

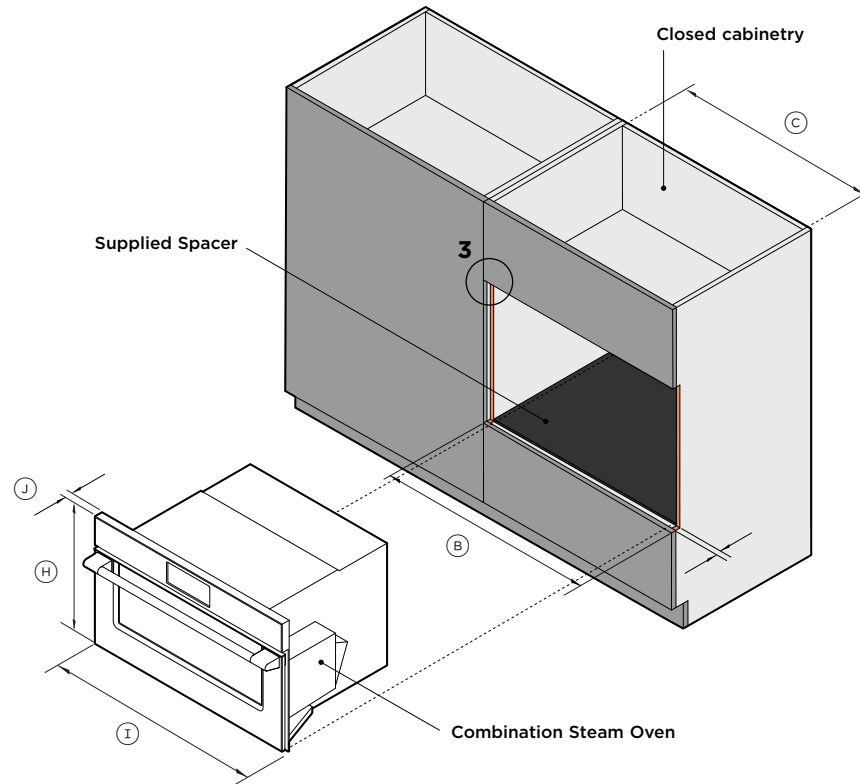
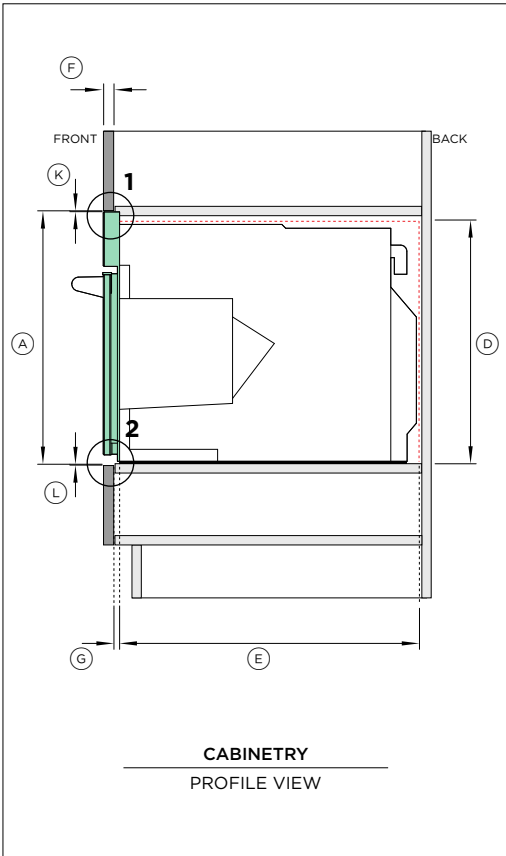
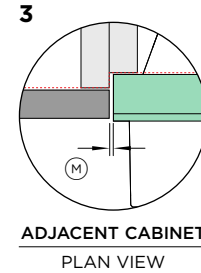
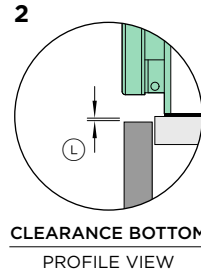
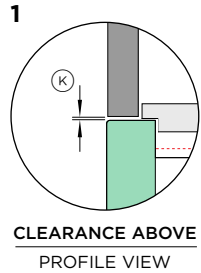
| Product Dimensions | | inch | mm |
|--------------------|--|---------|-----|
| L | Overall height of built-in coffee maker (including lower trim) | 18 1/2 | 470 |
| M | Height from bottom of chassis to bottom of lower trim | 9/16 | 15 |
| N | Overall height of oven | 27 3/16 | 690 |
| O | Overall width of products | 29 | 757 |
| P | Thickness of products | 1 9/16 | 40 |

| Cabinetry Clearances | | inch | mm |
|----------------------|---|------|----|
| Q | Minimum clearance above appliance front panel to upper cabinetry front panel or appliance | 1/16 | 2 |
| R | Minimum clearance between bottom of appliance to lower cabinetry front panel | 1/16 | 2 |
| | Minimum clearance between adjacent front panel or appliance | 1/8 | 3 |

The models shown in this Planning Guide may not be available in all markets and are subject to change at any time. Product specifications may vary from those shown. This Planning Guide should not be used as installation guidance for any product. Further information is required to safely and correctly install the products featured here. Specific installation guidance will be available on our website fisherpaykel.com

COOKTOP CLEARANCE

If installing a cooktop above the oven, ensure adequate clearance is provided for the cooktop as per the cooktop manufacturer's instructions.



Model no:
Combination Steam Oven, 30" - OS30NPTX1

| Cabinetry Dimensions - Flush Installation | | |
|--|-------------|-----------|
| | inch | mm |
| Ⓐ Overall cabinet height* | 18 3/8 | 466 |
| Ⓑ Overall cabinet width | 30 1/16 | 764 |
| Ⓒ Minimum inside width of cavity | 28 1/2 | 724 |
| Ⓓ Minimum inside height of cavity* | 17 9/16 | 446 |
| Ⓔ Minimum inside depth of cavity | 22 13/16 | 580 |
| Ⓕ Thickness of cabinetry front panel** | 3/4 | 19 |
| Ⓖ Thickness of rebate for control panel | 7/16 | 11 |

*Height includes a 1/4"(6mm) spacer in the base of the cavity (supplied with product)

**Cabinetry shown in drawings 3/4" (19mm) panels. If the front panel is thinner than 13/16" (20mm) a rebate for the Oven is required to achieve a flush finish

Note: Overall cabinet height is overall product height with minimum clearance above oven control panel to upper cabinetry front panel.

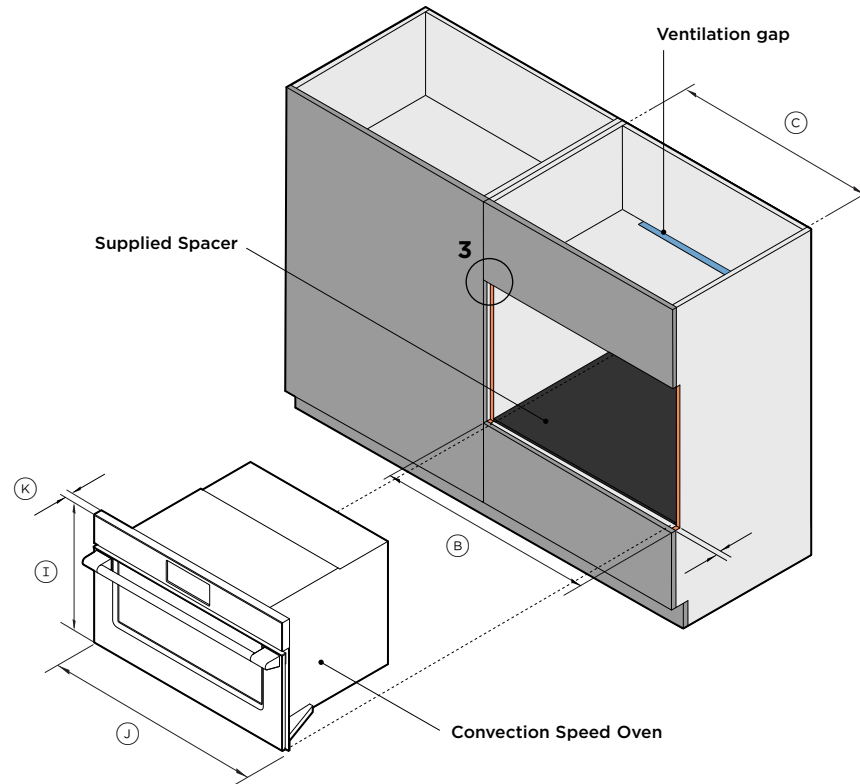
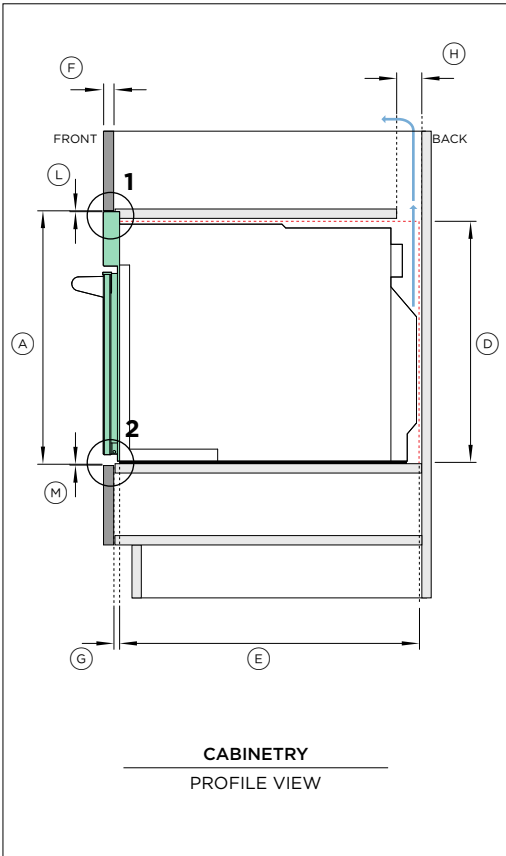
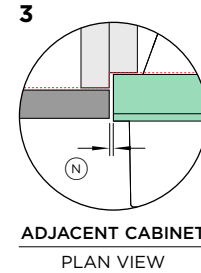
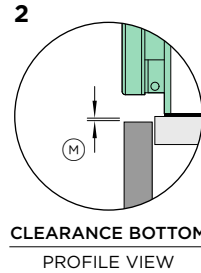
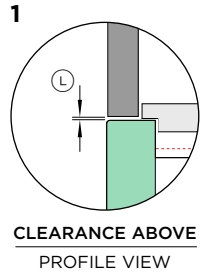
| Product Dimensions | | |
|---------------------------------|-------------|-----------|
| | inch | mm |
| Ⓓ Overall height of product | 18 | 458 |
| Ⓘ Overall width of product | 29 13/16 | 757 |
| Ⓙ Thickness of oven front panel | 1 3/16 | 30 |

| Cabinetry Clearances | | |
|--|-------------|-----------|
| | inch | mm |
| Ⓚ Minimum clearance above oven control panel to upper cabinetry front panel | 1/16 | 2 |
| Ⓛ Minimum clearance between bottom of oven spacer to lower cabinetry front panel | 1/16 | 2 |
| Ⓜ Minimum clearance between adjacent front panel or appliance | 1/8 | 3 |

The models shown in this Planning Guide may not be available in all markets and are subject to change at any time. Product specifications may vary from those shown. This Planning Guide should not be used as installation guidance for any product. Further information is required to safely and correctly install the products featured here. Specific installation guidance will be available on our website fisherpaykel.com

COOKTOP CLEARANCE

If installing a cooktop above the oven, ensure adequate clearance is provided for the cooktop as per the cooktop manufacturer's instructions.



Model no:

Convection Speed Oven, 30" - OM30NPTX1

| Cabinetry Dimensions - Flush Installation | | |
|--|-------------|-----------|
| | inch | mm |
| Ⓐ Overall cabinet height* | 18 3/8 | 466 |
| Ⓑ Overall cabinet width | 30 1/16 | 764 |
| Ⓒ Minimum inside width of cavity | 28 1/2 | 724 |
| Ⓓ Minimum inside height of cavity* | 17 9/16 | 446 |
| Ⓔ Minimum inside depth of cavity | 22 13/16 | 580 |
| Ⓕ Thickness of cabinetry front panel** | 3/4 | 19 |
| Ⓖ Thickness of rebate for control panel | 7/16 | 11 |
| Ⓗ Ventilation gap*** | 2 | 50 |

*Height includes a 1/4"(6mm) spacer in the base of the cavity (supplied with product)

**Cabinetry shown in drawings 3/4" (19mm) panels. If the front panel is thinner than 13/16" (20mm) a rebate for the Oven is required to achieve a flush finish

***A rear ventilation air vent totalling 43.4in² (280cm²) is required. The air vent must be located at the rear of the cabinet, it can be positioned at the base, sides, back or top of the cavity.

Note: Overall cabinet height is overall product height with minimum clearance above oven control panel to upper cabinetry front panel.

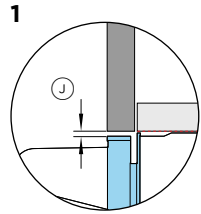
| Product Dimensions | | |
|---------------------------------|-------------|-----------|
| | inch | mm |
| Ⓘ Overall height of product | 18 | 458 |
| Ⓚ Overall width of product | 29 13/16 | 757 |
| Ⓛ Thickness of oven front panel | 1 3/16 | 30 |

| Cabinetry Clearances | | |
|--|-------------|-----------|
| | inch | mm |
| Ⓛ Minimum clearance above oven control panel to upper cabinetry front panel | 1/16 | 2 |
| Ⓜ Minimum clearance between bottom of oven spacer to lower cabinetry front panel | 1/16 | 2 |
| Ⓨ Minimum clearance between adjacent front panel or appliance | 1/8 | 3 |

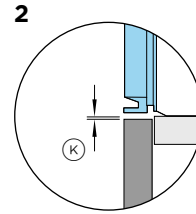
The models shown in this Planning Guide may not be available in all markets and are subject to change at any time. Product specifications may vary from those shown. This Planning Guide should not be used as installation guidance for any product. Further information is required to safely and correctly install the products featured here. Specific installation guidance will be available on our website fisherpaykel.com

NOTE

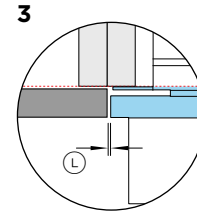
The Warming Drawer can fully support a 30inch Fisher & Paykel oven, without adding a shelf in between.



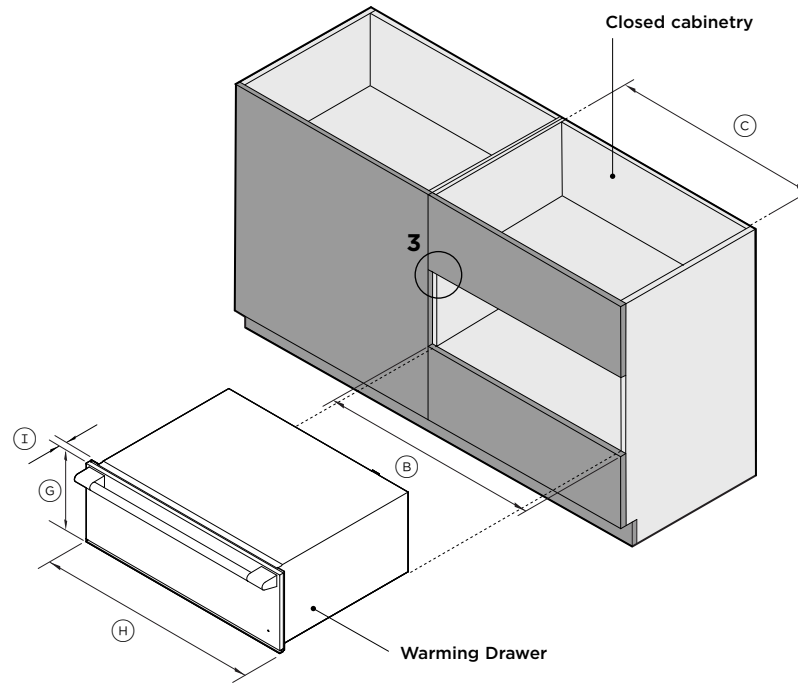
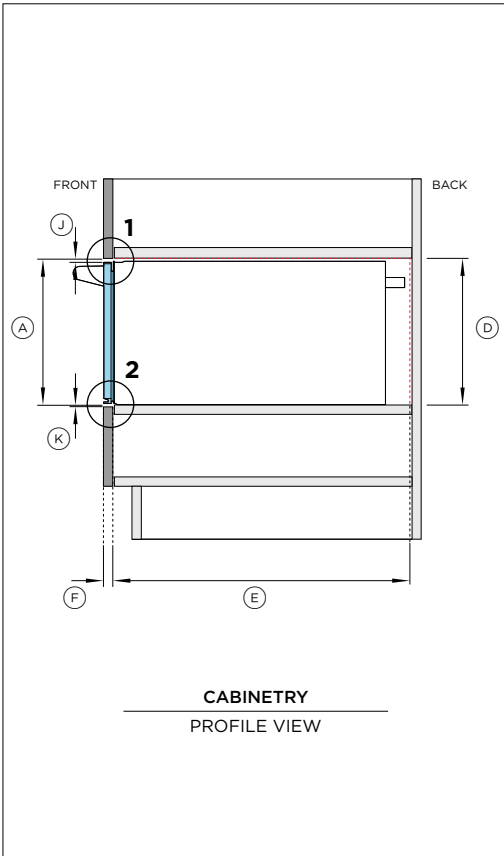
1
CLEARANCE ABOVE
PROFILE VIEW



2
CLEARANCE BOTTOM
PROFILE VIEW



3
ADJACENT CABINET
PLAN VIEW



Model no:
Warming Drawer, 30" - WB30SPEX1

| Cabinetry Dimensions - Flush Installation | | inch | mm |
|--|-------------------------------------|-----------|-------|
| Ⓐ | Overall cabinet height* | 10 13/16 | 275 |
| Ⓒ | Overall cabinet width | 30 1/16 | 764 |
| Ⓒ | Minimum inside width of cavity | 28 1/2 | 724 |
| Ⓒ | Minimum inside height of cavity | 10 3/4 | 273 |
| Ⓒ | Minimum inside depth of cavity | 22 13/16 | 580 |
| Ⓕ | Thickness of cabinetry front panel* | 5/8-13/16 | 16-20 |

**Cabinetry shown in drawings 3/4" (19mm) panels. If the front panel is thinner than 13/16" (20mm) a rebate for the drawer is required to achieve a flush finish

Note: Overall cabinet height is overall product height with minimum clearance above oven control panel to upper cabinetry front panel.

| Product Dimensions | | inch | mm |
|---------------------------|--|----------|-----|
| Ⓒ | Overall height of product | 10 11/16 | 271 |
| Ⓒ | Overall width of product | 29 15/16 | 760 |
| Ⓙ | Thickness of warming drawer front panel and flange | 13/16 | 20 |

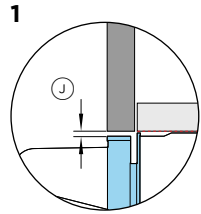
| Cabinetry Clearances | | inch | mm |
|-----------------------------|---|------|----|
| Ⓙ | Minimum clearance above drawer front panel to upper cabinetry front panel* | 5/32 | 4 |
| Ⓚ | Minimum clearance between bottom of drawer chassis to lower cabinetry front panel | 1/16 | 2 |
| Ⓛ | Minimum clearance between adjacent front panel or appliance | 1/16 | 2 |

*Achieve a smaller gap between drawer front panel to upper cabinetry front panel by dropping cabinetry front panel down

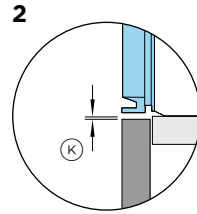
The models shown in this Planning Guide may not be available in all markets and are subject to change at any time. Product specifications may vary from those shown. This Planning Guide should not be used as installation guidance for any product. Further information is required to safely and correctly install the products featured here. Specific installation guidance will be available on our website fisherpaykel.com

NOTE

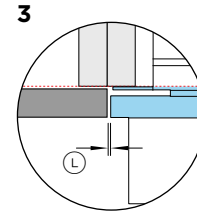
The Vacuum Seal Drawer can fully support a 30inch Fisher & Paykel oven, without adding a shelf in between.



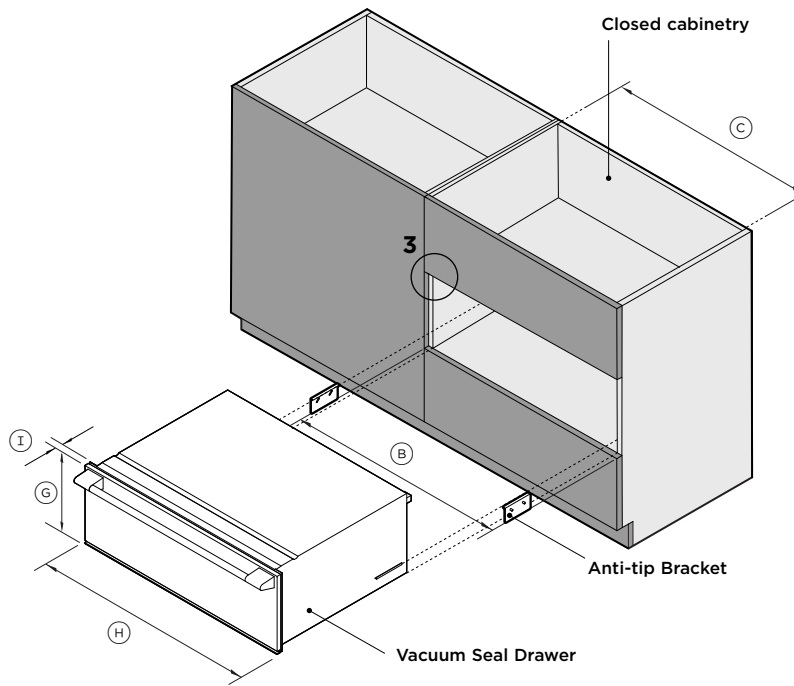
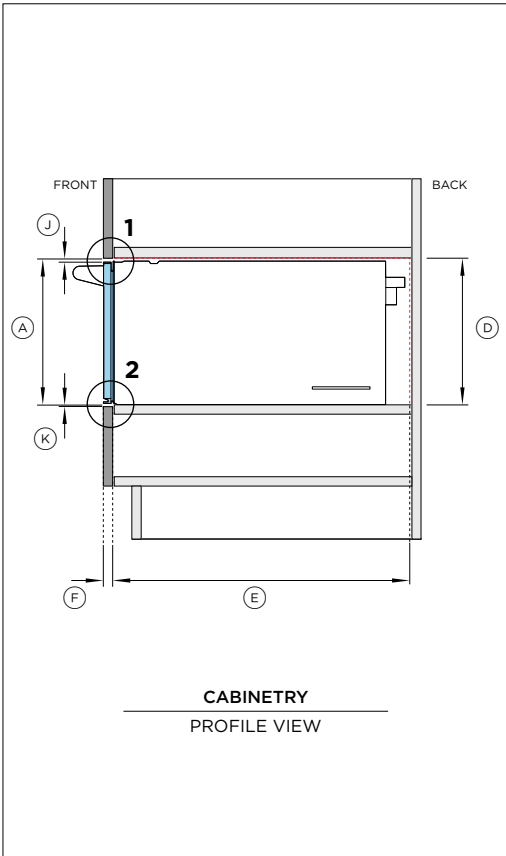
1
CLEARANCE ABOVE
PROFILE VIEW



2
CLEARANCE BOTTOM
PROFILE VIEW



3
ADJACENT CABINET
PLAN VIEW



Model no:

Vacuum Seal Drawer 30" - VB30SPEX1

| Cabinety Dimensions - Flush Installation | | inch | mm |
|---|-------------------------------------|-----------|-------|
| Ⓐ | Overall cabinet height* | 10 13/16 | 275 |
| Ⓑ | Overall cabinet width | 30 1/16 | 764 |
| Ⓒ | Minimum inside width of cavity | 28 1/2 | 724 |
| Ⓓ | Minimum inside height of cavity | 10 3/4 | 273 |
| Ⓔ | Minimum inside depth of cavity | 22 13/16 | 580 |
| Ⓕ | Thickness of cabinetry front panel* | 5/8-13/16 | 16-20 |

*Cabinety shown in drawings 3/4" (19mm) panels. If the front panel is thinner than 13/16" (20mm) a rebate for the drawer is required to achieve a flush finish

Note: Overall cabinet height is overall product height with minimum clearance above oven control panel to upper cabinetry front panel.

| Product Dimensions | | inch | mm |
|---------------------------|--|----------|-----|
| Ⓒ | Overall height of product | 10 11/16 | 271 |
| Ⓓ | Overall width of product | 29 15/16 | 760 |
| Ⓕ | Thickness of warming drawer front panel and flange | 13/16 | 20 |

| Cabinety Clearances | | inch | mm |
|----------------------------|---|------|----|
| Ⓐ | Minimum clearance above drawer front panel to upper cabinetry front panel* | 5/32 | 4 |
| Ⓑ | Minimum clearance between bottom of drawer chassis to lower cabinetry front panel | 1/16 | 2 |
| Ⓒ | Minimum clearance between adjacent front panel or appliance | 1/16 | 2 |

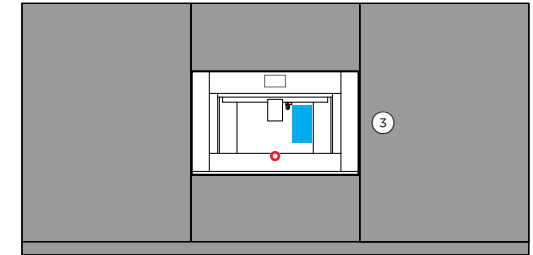
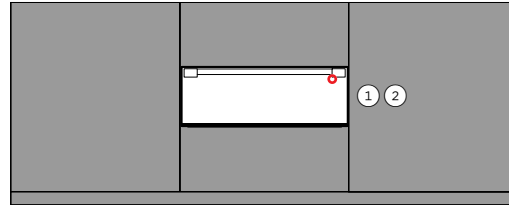
*Achieve a smaller gap between drawer front panel to upper cabinetry front panel by dropping cabinetry front panel down

The models shown in this Planning Guide may not be available in all markets and are subject to change at any time. Product specifications may vary from those shown. This Planning Guide should not be used as installation guidance for any product. Further information is required to safely and correctly install the products featured here. Specific installation guidance will be available on our website fisherpaykel.com

SERVICES

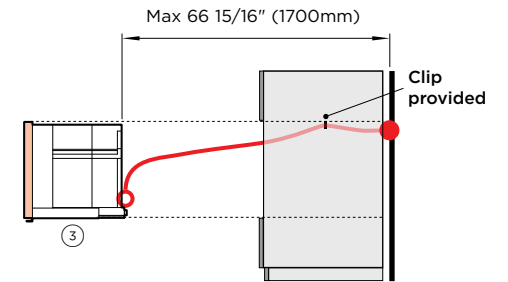
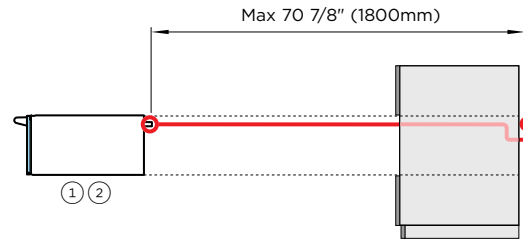
CONNECTION

Connections may be located in an adjacent cabinet to either side of the appliance. Ensure power will remain accessible following install to allow access for any future product maintenance.



BUILT-IN COFFEE MAKER

The power cable must be long enough to allow the appliance to be extracted from the cabinet to fill the coffee bean container. Fix the power cable with the clip.



- Power Cable
- Water Tank

① **VACUUM SEAL DRAWER**
VB30SPEX1

② **WARMING DRAWER**
WB30SPEX1

③ **BUILT-IN COFFEE MAKER**
EB30PSX1

POWER CORD

| | | | |
|----------------------------|------------------|------------------|--------------------|
| Maximum power cord length* | 70 7/8" (1800mm) | 70 7/8" (1800mm) | 66 15/16" (1700mm) |
| Location | Upper right | Upper right | Lower centered |
| Connection | Flex cord | Flex cord | Flex cord |

*Measured from power outlet

WATER

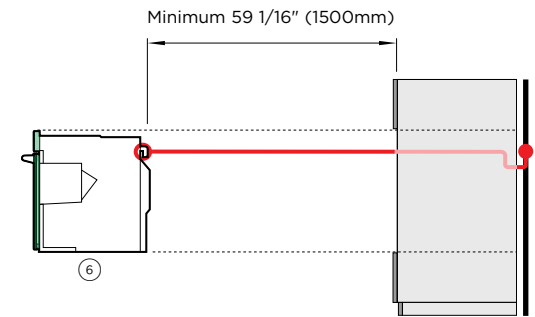
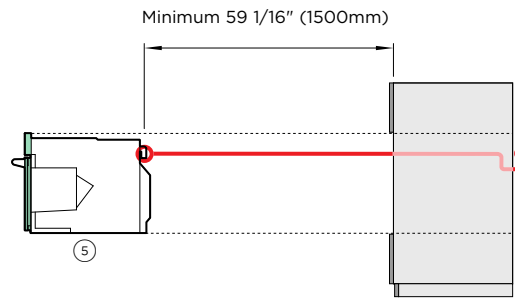
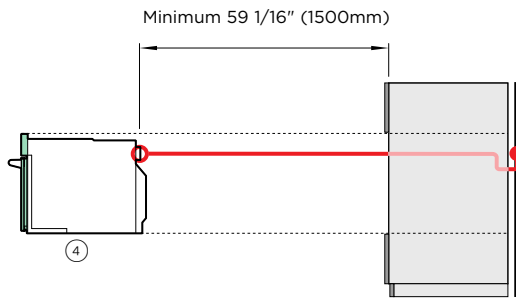
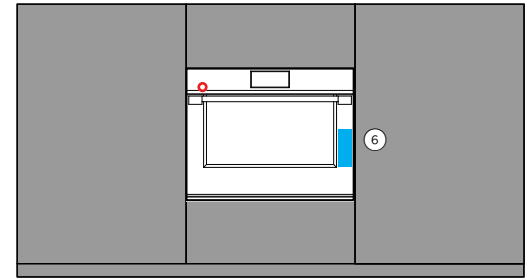
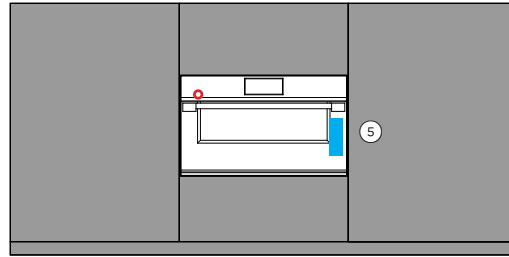
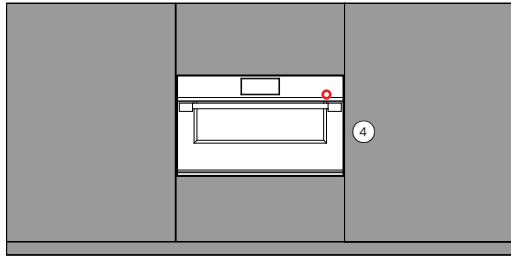
| | | | |
|----------------|---|---|-----------------------|
| Total Capacity | - | - | 84.5 fl oz (2.4L) |
| Location | - | - | Water tank (internal) |

ELECTRICAL

| | | | |
|---------|--------------|--------------|--------------|
| Supply | 120 V, 60 Hz | 120 V, 60 Hz | 120 V, 60 Hz |
| Service | 10 A | 10 A | 10 A |

Note: Multiple product installation requires the design of power outlets according to local regulations.

The models shown in this Planning Guide may not be available in all markets and are subject to change at any time. Product specifications may vary from those shown. This Planning Guide should not be used as installation guidance for any product. Further information is required to safely and correctly install the products featured here. Specific installation guidance will be available on our website fisherpaykel.com



- Power Cable
- Water Tank

④ CONVECTION SPEED OVEN
OM30NPTX1

⑤ COMBINATION STEAM OVEN
OS30NPTX1

⑥ COMBINATION STEAM OVEN
OS30SPTX1

POWER CORD

| | | | |
|------------------------|----------------------------|----------------------------|----------------------------|
| Power cord free length | Minimum 59 1/16" (1500mm)* | Minimum 59 1/16" (1500mm)* | Minimum 59 1/16" (1500mm)* |
| Location | Upper right | Upper left | Upper left |
| Connection | Hard wire** | Hard wire** | Hard wire** |

*The electrician provides sufficient free length of power supply cable to reach from the bottom rear of the cavity to at least 59 1/16" (1500mm) in front of the bottom edge of the opening

**For more information, refer to the Installation Guide. Ensure power will remain accessible following install to allow access for any future product maintenance.

WATER

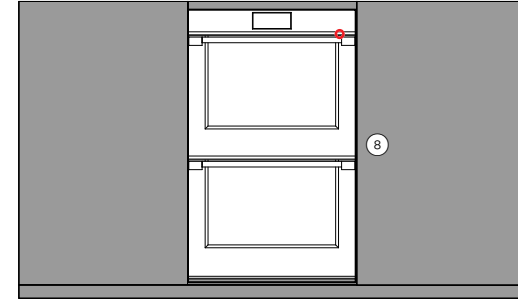
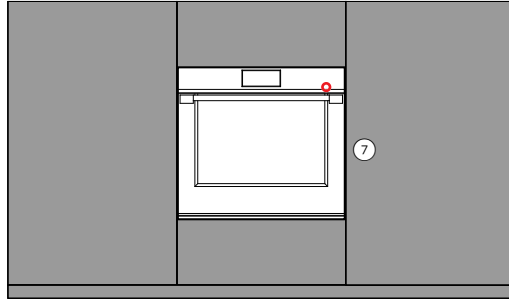
| | | | |
|----------------|---|-----------------------|-----------------------|
| Total Capacity | - | 47.3 fl oz (1.4L) | 47.3 fl oz (1.4L) |
| Location | - | Water tank (internal) | Water tank (internal) |

ELECTRICAL

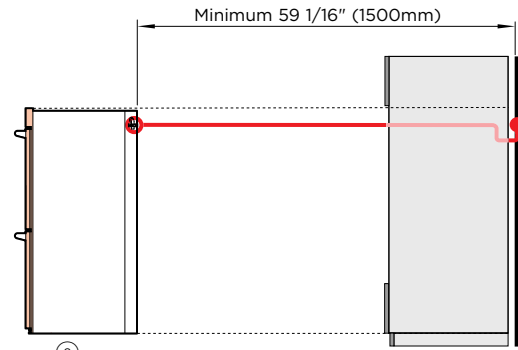
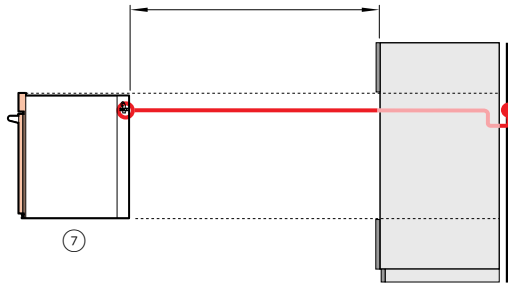
| | | | |
|---------|---------------------|---------------------|---------------------|
| Supply | 208 or 240 V, 60 Hz | 208 or 240 V, 60 Hz | 208 or 240 V, 60 Hz |
| Service | 20 A | 20 A | 20 A |


Note: Multiple product installation requires the design of power outlets according to local regulations.

The models shown in this Planning Guide may not be available in all markets and are subject to change at any time. Product specifications may vary from those shown. This Planning Guide should not be used as installation guidance for any product. Further information is required to safely and correctly install the products featured here. Specific installation guidance will be available on our website fisherpaykel.com



Minimum 59 1/16" (1500mm)



 Power Cable

⑦ OVEN
OB30SPPTX1

⑧ DOUBLE OVEN
OB30DPPTX1

POWER CORD

| | |
|------------------------|----------------------------|
| Power cord free length | Minimum 59 1/16" (1500mm)* |
| Location | Upper right |
| Connection | Hard wire** |

| | |
|------------------------|----------------------------|
| Power cord free length | Minimum 59 1/16" (1500mm)* |
| Location | Upper right |
| Connection | Hard wire** |

*The electrician provides sufficient free length of power supply cable to reach from the bottom rear of the cavity to at least 59 1/16" (1500mm) in front of the bottom edge of the opening
 **For more information, refer to the Installation Guide. Ensure power will remain accessible following install to allow access for any future product maintenance.

WATER

| | |
|----------------|---|
| Total Capacity | - |
| Location | - |

| | |
|----------------|---|
| Total Capacity | - |
| Location | - |

ELECTRICAL

| | |
|---------|---------------------|
| Supply | 208 or 240 V, 60 Hz |
| Service | 20 A |

| | |
|---------|---------------------|
| Supply | 208 or 240 V, 60 Hz |
| Service | 40 A |

Note: Multiple product installation requires the design of power outlets according to local regulations.

The models shown in this Planning Guide may not be available in all markets and are subject to change at any time. Product specifications may vary from those shown. This Planning Guide should not be used as installation guidance for any product. Further information is required to safely and correctly install the products featured here. Specific installation guidance will be available on our website fisherpaykel.com

