

# Series 5, Integrated Dishwasher

Series 5 | Integrated

Panel Ready



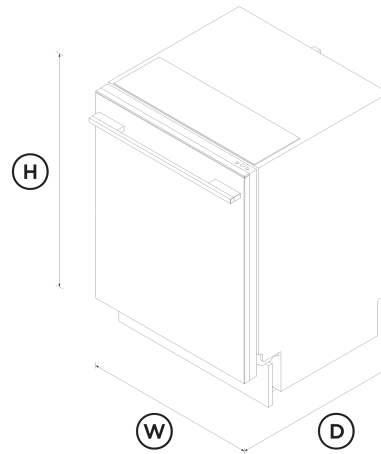
Designed to be integrated seamlessly into your cabinetry, this dishwasher delivers extra wash options and Auto Door Open Dry.\*

- Customise with your own front panel and handle to match your kitchen cabinetry
- Seven wash programs from Heavy to Light, including Auto and 60min
- Dry+, Sanitise and Half Load modifiers provide extra wash options

- Wi-Fi enabled and works with the SmartHQ™ app for remote control and notifications

## DIMENSIONS

Height	820 - 880 mm
Width	598 mm
Depth	554 mm



## FEATURES & BENEFITS

### Seamless Integration

Customise your dishwasher with a panel and handle matching your cabinetry, for a seamless finish in your kitchen.

### Effortless Drying

For beautifully dry dishes every time, this dishwasher features an advanced drying system. It combines fan-assisted drying with an automatic door opening at the cycle's end. The Auto Door Open Dry feature releases excess steam, ensuring dishes are immediately ready for use or storage. An innovative air curtain channels the steam away from the adjacent benchtop, protecting your cabinetry.

### A Reliable Clean

This dishwasher offers seven wash programs including Auto, which automatically senses the optimal wash settings for your dishes. The three-stage filtration system delivers a superior clean, while the rinse aid indicator reminds you to top up for beautifully clean dishes.

### Customise Your Wash

The Half Load modifier is perfect for washing a partial load, for faster turnaround of dishes. Sanitise provides extra protection, killing 99.9% of bacteria\* in the final rinse, while the Dry+ modifier is great for plastic dishes. \*Certified to NSF/ANSI Standard 184

### Efficient Performance

With a 4 star energy rating and 5 star water rating, this dishwasher delivers a powerful wash. Use the Eco wash program for optimal water and energy consumption, or choose when the cycle begins with Delay Start.

### Flexible Loading

Designed to fit 15 place settings with ease, adjustable racks help you to load and care for various items - including a height-adjustable upper basket, and foldable cup holders and tines.

## SPECIFICATIONS

### Accessories (included)

- Cutlery basket

Kickstrip	<b>true</b>	In-use energy carbon emissions estimate	<b>160.2kgCO2e/year</b>	Amperage	<b>10A</b>
<hr/>		Water consumption (per wash cycle)	<b>12.6L</b>	Supply frequency	<b>50Hz</b>
<b>Accessories (sold separately)</b>		Water rating	<b>5 star (WELS)</b>	Supply voltage	<b>220 - 240V</b>
<hr/>		<b>Controls</b>		<b>Product dimensions</b>	
Door panel black stainless steel	<b>ADDW60PB</b>	Energy saving delay start option of up to 12 hours	•	Depth	<b>554 mm</b>
Door panel stainless steel	<b>ADDW60PX</b>	Intuitive capacitive touch controls	•	Height	<b>820 - 880 mm</b>
Handle kit Classic	<b>AHCL-DDDW-24X</b>	Keylock	•	Width	<b>598 mm</b>
Handle kit Contemporary round, aluminium	<b>AHS-OBDD-60S</b>	Rinse aid indicator light	•	<hr/>	
Handle kit Contemporary square fine, aluminium	<b>AHD5-OBDD-60SX</b>	Smart appliance	•	<b>Warranty</b>	
Handle kit Contemporary square fine, black	<b>AHD5-OBDD-60SB</b>	<hr/>		Parts and labour	<b>2 years</b>
Handle kit Contemporary square, aluminium	<b>AHD3-OBDD-60S</b>	<b>Features</b>		<hr/>	
Handle kit Contemporary square, black	<b>AHD3-OBDD-60B</b>	Air curtain for bench protection	•	<b>Wash Program Modifiers</b>	
Handle kit Professional round flush	<b>AHP3-DWDD-60S</b>	Aquastop	•	Dry +	•
<hr/>		Auto Door Open Dry	•	Half load	•
<b>Capacity and loading</b>		Flood protection	•	Sanitise	•
Accommodates round plates up to (lower basket)	<b>320mm</b>	Fully independent spray arms	•	Wash modifiers	<b>3</b>
Accommodates round plates up to (top basket)	<b>250mm</b>	Internal tub material	<b>Stainless Steel</b>	<hr/>	
Adjustable height, foldable cupracks	•	Motor type	<b>Asynchronous</b>	<b>Wash Programs</b>	
Easy lift adjustable upper basket	•	ThermoDry system	•	60 min	•
Fold down tines	•	Three-stage filtration system	•	Auto	•
Place settings	<b>15</b>	<hr/>		Eco	•
Place settings	<b>15</b>	<b>Performance</b>		Heavy	•
<hr/>		Noise emissions	<b>46 dBA</b>	Light	•
<b>Consumption</b>		<hr/>		Medium	•
Energy rating	<b>4 star</b>	<b>Power requirements</b>		Rinse	•
Energy usage	<b>246kWh/year</b>	<hr/>		Wash programs	<b>7</b>
<hr/>		<hr/>		<hr/>	

**Water connection**

Water pressure	<b>30kPa - 1000 kPa</b>
Water supply	<b>3/4" BSP (20mm) Connector Water Inlet Hose</b>

---

SKU 82431

---

The product dimensions and specifications in this page apply to the specific product and model. Under our policy of continuous improvement, these dimensions and specifications may change at any time. You should therefore check with Fisher & Paykel's Customer Care Centre to ensure this page correctly describes the model currently available. © Fisher & Paykel Appliances Ltd 2020

**Other product downloads available at fisherpaykel.com**

- [↓](#) Door Template
- [↓](#) Energy & Water Label
- [↓](#) Service & Warranty
- [↓](#) Installation Guide Built-Under Dishwasher
- [↓](#) User Guide Dishwasher
- [↓](#) Wash Program Data Dishwasher

**Where applicable:**

All appliances use energy, and energy usage typically generates carbon emissions. **Fisher & Paykel Appliances' In-use Energy Carbon Emissions Estimate** indicates carbon emissions from a product's in-use energy. This is calculated either annually or per cycle, using the product's market-specific energy label energy consumption data multiplied by the carbon emissions factor for energy in your country or region.

Our In-use Energy Carbon Emissions Estimate is designed to assist customers in making informed purchasing decisions when comparing different Fisher & Paykel products. For example, a heat pump dryer typically has a lower In-use Energy Carbon Emissions Estimate than a vented dryer.



**A PEACE OF MIND SALE**  
**24 Hours 7 Days a Week Customer Support**  
T 1300 650 590 Wwww.fisherpaykel.com