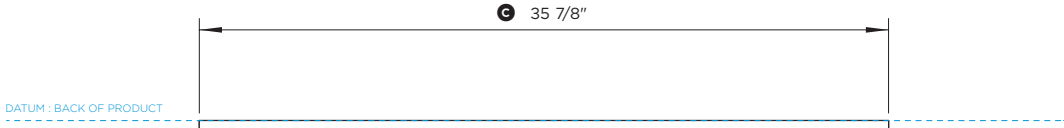
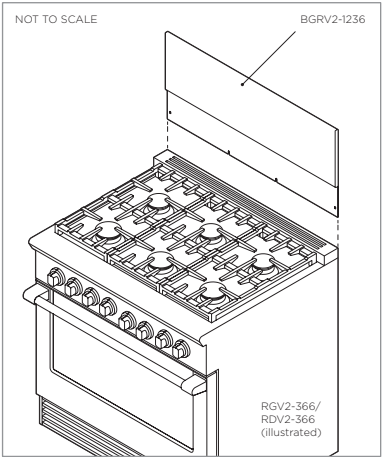
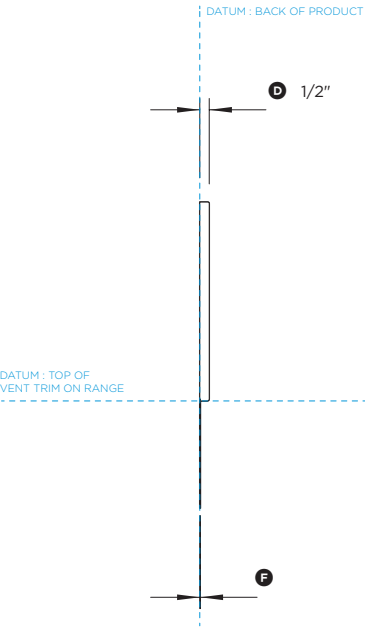


FISHER & PAYKEL

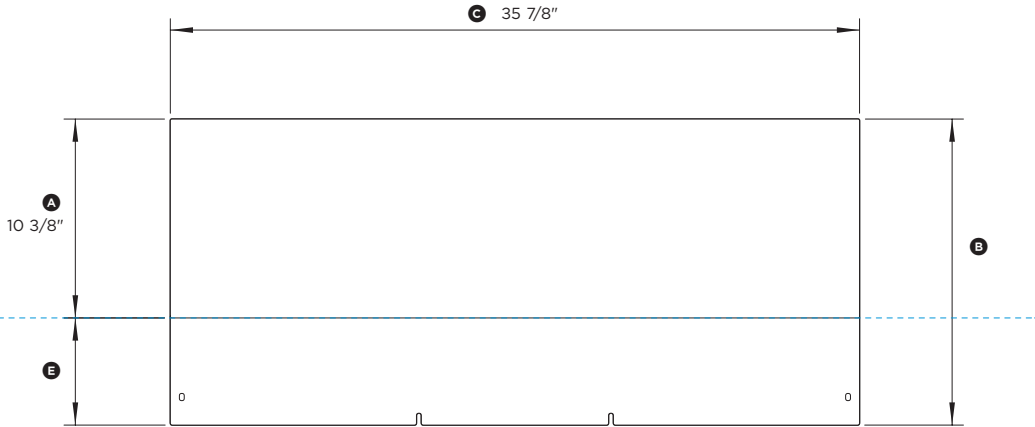
DATA SHEET 36" Professional Range Backguard



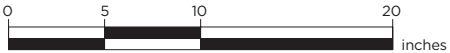
PLAN VIEW



PROFILE VIEW



FRONT VIEW



Model no:
BGRV2-1236
(refer page 2 for metric measurements)

Product Dimensions	in
Ⓐ Height of backguard above vent trim on range	10 3/8"
Ⓑ Overall height of backguard	15 15/16"
Ⓒ Overall width of backguard	35 7/8"
Ⓓ Overall depth of backguard	1/2"
Ⓔ Height of backguard below vent trim on range	5 9/16"
Ⓕ Depth of backguard below vent trim on range	1/16"

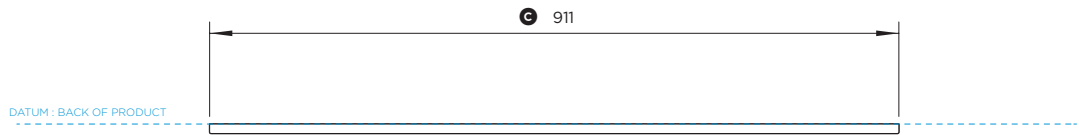
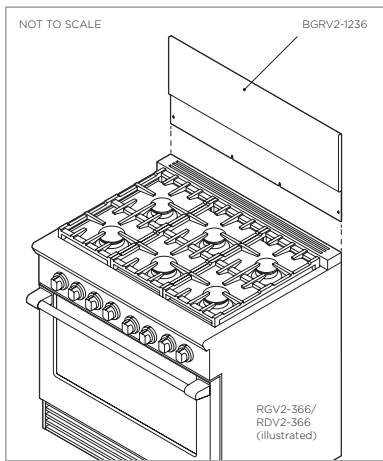
INDICATES PRODUCT DATUM -----

DATE: **24.04.2018**

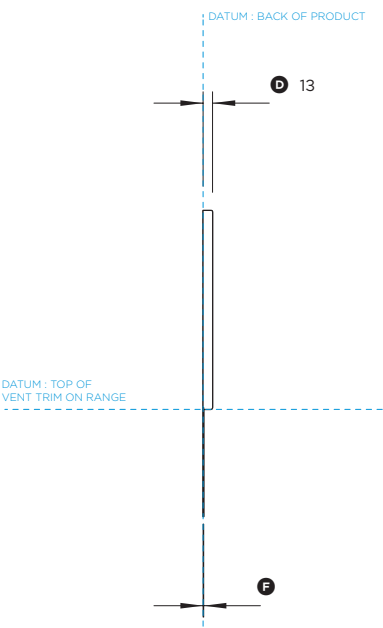
IMPORTANT: Throughout this guide, dimensions may vary by ±2mm (1/16"). Read the installation guide for detailed information on installing the product. For full installation instructions and specifications visit fisherpaykel.com

FISHER & PAYKEL

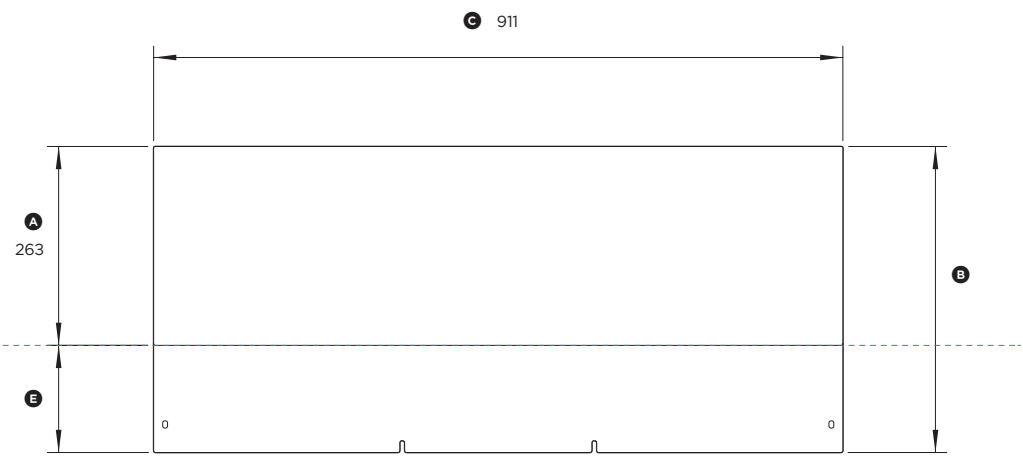
DATA SHEET 36" Professional Range Backguard



PLAN VIEW



PROFILE VIEW



FRONT VIEW

Model no:
BGRV2-1236
(refer page 1 for imperial measurements)

Product Dimensions	mm
Ⓐ Height of backguard above vent trim on range	263
Ⓑ Overall height of backguard	405
Ⓒ Overall width of backguard	911
Ⓓ Overall depth of backguard	13
Ⓔ Height of backguard below vent trim on range	142
Ⓕ Depth of backguard below vent trim on range	1

INDICATES PRODUCT DATUM -----



DATE: **24.04.2018**

IMPORTANT: Throughout this guide, dimensions may vary by ±2mm (1/16"). Read the installation guide for detailed information on installing the product. For full installation instructions and specifications visit fisherpaykel.com