

# 36" Series 9 Contemporary 5 Zone Induction Self-Cleaning Range, 2 SmartZones

Series 9 | Contemporary

Stainless Steel



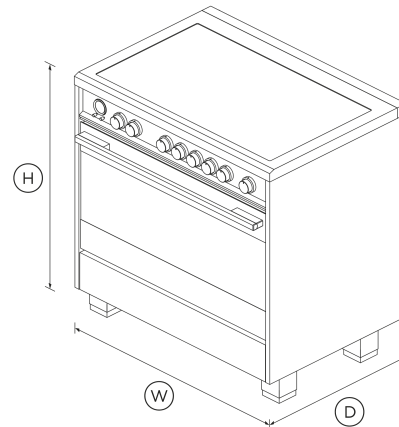
With large oven and cooktops that can be paired to create an expansive cook zone, this is a range made for those who love to cook.

- Five induction cooking zones, which can be joined to form SmartZones
- Convection oven with 4.9 cu.ft total capacity, nine oven functions including Roast, Aero Pastry™ with pizza mode and rapid proof for baking bread

- Non-tip full-extension shelves for safe removal of hot dishes
- High-temperature self-cleaning function breaks down food residue for an easy clean

## DIMENSIONS

|        |                   |
|--------|-------------------|
| Height | 35 3/4 - 37 1/4 " |
| Width  | 35 7/8 "          |
| Depth  | 25 1/4 "          |



## FEATURES & BENEFITS

### Multi-Shelf Cooking

Our AeroTech™ system circulates air evenly throughout the entire oven so dishes on the top shelf turn out just as perfect as food cooking on the bottom shelf.

### Quality and durability

Every detail has been carefully crafted. The solid, perfectly balanced soft-close door, durable cooktop and glowing halo dials all add up to an exceptional, premium range.

### Power & control

Instant and immediate control from the highest to the gentlest heat. The finely tuned cooktop controls let you sear, stir fry or simmer a delicate sauce to perfection.

### Easy To Clean

Cleaning up spills is effortless. Your cooktop simply needs a quick wipe to keep it looking good as new. The self-clean function breaks down food residue at a very high temperature, leaving a light ash that's easily removed with a damp cloth.

### Even heat

Accurate, electronically-controlled oven heat ensures a great result every time.

### Large Capacity Oven

The generous 4.9 cu.ft total capacity oven gives you plenty of space to cook multiple dishes at once, with enough room to fit a 32 lb turkey.

## SPECIFICATIONS

### Accessories (included)

|  |                             |
|--|-----------------------------|
| 2-pc grill system (Broil pan and Grill rack) | •                           |
| Broil pan                                    | •                           |
| Full extension telescopic shelves            | <b>2 sets (part 578744)</b> |
| Grill rack                                   | <b>true</b>                 |

### Accessories (sold separately)

|  |                   |
|--|-------------------|
| Kick strip, stainless steel (optional) | <b>KICKOR36X1</b> |
| Wok grate included                     | <b>N/A</b>        |

**Capacity**

|                 |                  |
|-----------------|------------------|
| Shelf positions | <b>7</b>         |
| Total capacity  | <b>4.9 cu ft</b> |
| Usable capacity | <b>4.3 cu ft</b> |

**Cleaning**

|                                |   |
|--------------------------------|---|
| Acid resistant graphite enamel | • |
| Drop down broil element        | • |
| Drop down grill element        | • |
| Flat easy clean glass surface  | • |
| Pyrolytic proof shelf runners  | • |
| Pyrolytic self-clean           | • |
| Removable oven door            | • |
| Removable shelf runners        | • |

**Controls**

|  |   |
|--|---|
| Audio feedback                         | • |
| Automatic cooking/minute timer         | • |
| Automatic pre-set temperatures         | • |
| Celsius/Fahrenheit temperature         | • |
| Electronic capacitive touch controls   | • |
| Electronic clock                       | • |
| High resolution display                | • |
| Laser etched graphics                  | • |
| Precise electronic temperature control | • |

|   |   |
|---|---|
| Sabbath mode  | • |
| Toughened fused glass graphics                      | • |
| Turned stainless steel clock buttons                | • |
| Turned stainless steel clock crown (dial)           | • |
| Turned stainless steel dials with illuminated halos | • |

**Main oven functions**

|      |   |
|------|---|
| Warm | • |
|------|---|

**Oven features**

|   |   |
|---|---|
| AeroTech™ technology                      | •   |
| Automatic rapid pre-heat                  | •   |
| Concealed element                         | •   |
| Electronic oven control                   | •   |
| Full extension telescopic sliding shelves | •   |
| Internal light                            | <b>4 x 25W halogen (2 side &amp; 2 top)</b> |
| Soft open/close door                      | •   |
| True convection                           | •   |
| Turned stainless steel clock dial         | •   |
| Twin cavity fans                          | •   |
| Warming drawer                            | •   |

**Oven functions**

|                              |   |
|------------------------------|---|
| Aero Broil                   | • |
| Aero™ Bake                   | • |
| Aero™ Pastry with Pizza mode | • |
| Bake                         | • |

|                     |          |
|---------------------|----------|
| Broil               | •        |
| Number of functions | <b>9</b> |
| Rapid proof         | •        |
| Roast               | •        |
| Self-clean function | •        |
| True Aero           | •        |
| True convection     | •        |

**Oven performance**

|                      |                         |
|----------------------|-------------------------|
| Broil power          | <b>4300 W</b>           |
| CoolTouch door       | <b>Quadruple glazed</b> |
| Warming drawer power | <b>220 W</b>            |

**Power Requirements**

|            |  |
|------------|--|
| Connection | <b>4-prong [NEMA 14-50P power cord]</b>  |
| Service    | <b>40 A</b>                              |
| Supply     | <b>120 / 240 V or 120 / 208 V, 60 Hz</b> |

**Product Dimensions**

|        |                          |
|--------|--------------------------|
| Depth  | <b>25 1/4 "</b>          |
| Height | <b>35 3/4 - 37 1/4 "</b> |
| Width  | <b>35 7/8 "</b>          |

**Rangetop features**

|                  |   |
|------------------|---|
| Auto heat reduce | • |
| Dual zones       | • |

|                              |      |
|------------------------------|------|
| Gentle heat                  | •    |
| Heat settings                | 9    |
| Induction cooking technology | •    |
| SmartZone                    | true |
| Zone bridging                | •    |

SKU 81710



**A PEACE OF MIND SALE**  
 24 Hours 7 Days a Week Customer Support  
 T 1.888.936.7872 W www.fisherpaykel.com

The product dimensions and specifications in this page apply to the specific product and model. Under our policy of continuous improvement, these dimensions and specifications may change at any time. You should therefore check with Fisher & Paykel's Customer Care Centre to ensure this page correctly describes the model currently available. © Fisher & Paykel Appliances Ltd 2020

**Rangetop Performance**

|                         |        |
|-------------------------|--------|
| Centre                  | 5500 W |
| Left front              | 3700 W |
| Left rear               | 3700 W |
| Number of cooking zones | 5      |
| PowerBoost              | •      |

**Other product downloads available at fisherpaykel.com**

- [↓ Service & Warranty](#)
- [↓ Revit Induction Range](#)
- [↓ Rhino Induction Range](#)
- [↓ Sketchup Induction Range](#)
- [↓ User Guide Freestanding Range EN](#)

**Safety**

|   |                      |
|---|----------------------|
| ADA compliant                             | •                    |
| Advanced cooling system                   | •                    |
| Anti-tilt bracket                         | •                    |
| Balanced oven door                        | •                    |
| Catalytic venting system                  | •                    |
| Child lock                                | •                    |
| Full extension telescopic shelves         | 2 sets (part 578744) |
| Full extension telescopic sliding shelves | •                    |
| Non-tip shelves                           | •                    |
| Pan detection system                      | •                    |
| Safety time out                           | •                    |
| Spill containment                         | 143.83 L             |
| Spill containment                         | 3/8 gallon           |
| Spillage auto off                         | •                    |
| Surface hot indicators                    | •                    |

**Where applicable:**

All appliances use energy, and energy usage typically generates carbon emissions. **Fisher & Paykel Appliances' In-use Energy Carbon Emissions Estimate** indicates carbon emissions from a product's in-use energy. This is calculated either annually or per cycle, using the product's market-specific energy label energy consumption data multiplied by the carbon emissions factor for energy in your country or region.

Our In-use Energy Carbon Emissions Estimate is designed to assist customers in making informed purchasing decisions when comparing different Fisher & Paykel products. For example, a heat pump dryer typically has a lower In-use Energy Carbon Emissions Estimate than a vented dryer.