

# 36" Series 7 Integrated French Door Refrigerator Freezer, Ice

Series 7 | Integrated

Panel Ready



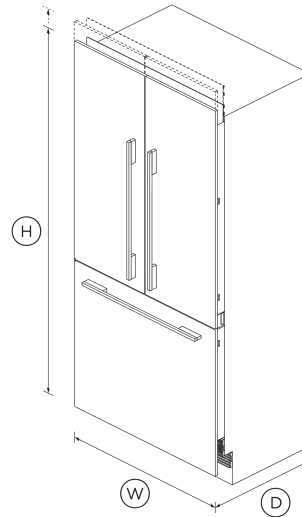
This large capacity refrigerator with bottom freezer seamlessly integrates into your kitchen, fitting flush into your cabinetry.

- ActiveSmart™ technology helps keep food fresher for longer by constantly maintaining the ideal temperature
- Customize with your own kitchen cabinetry or purchase our stainless steel door panel accessory

- Spacious bottom freezer with full extension drawer gives easy access to frozen goods
- Can be fitted for a height of 80 or 84 inches

## DIMENSIONS

Height	79 13/16 "
Width	35 1/16 "
Depth	23 3/4 "



## FEATURES & BENEFITS

### ActiveSmart™ Foodcare

ActiveSmart™ Foodcare learns how you live. It's technology which understands how you use your refrigerator and adjusts temperature, airflow and humidity inside to help keep food fresher for longer.

### Easy Installation

Our integrated products are easy to install, whether you are renovating your kitchen or designing a new one. Our refrigerators are designed for minimal gaps with adjustable front and rear feet to allow for uneven floors alongside adjustable door panels that can be customized to match your kitchen.

### Design Quality

Our refrigerators are designed and built using quality materials. We use real stainless steel on our refrigerators and solid glass for shelving.

### Ice maker

Fresh ice is always available for you in a dedicated freezer bin. Simply turn it off to free up freezer space or during busy times, you can boost ice production by up to 30%.

### Easy Cleaning

No more permanent dirty marks with our EZKleen feature for stainless steel refrigerators. Anti-fingerprint coating means you simply wipe clean any marks. Spill-safe secure glass shelves easily capture any drips or leaks.

### Simple storage

This refrigerator is designed to make it simple for you to store, access and remove food. Storage bins give you full access inside when they're pulled open and can be easily removed to clean. Our flexible shelving also gives you more storage options.

### Humidity control

Your fruit and veges need different environments. The humidity control slides in each storage bin create a microclimate that helps keep food fresher for longer.

## SPECIFICATIONS

Accessories (sold separately)

Door panel set stainless steel	<b>RD3680A (80"") or RD3684A (84"")</b>
Handle kit Classic	<b>AHCLRD36A</b>
Handle kit Contemporary round, aluminium	<b>AHS-ASBI-A</b>
Handle kit Contemporary square fine, aluminium	<b>AHD5RD36A</b>
Handle kit Contemporary square fine, black	<b>AHD5RD36AB</b>
Handle kit Professional round flush	<b>AHP3RD36A</b>
Water filter replacement	<b>847200 - FWC3</b>

**Capacity**

Total gross capacity	<b>16.8 cu ft</b>
Volume	<b>16.8 cu ft</b>
Volume freezer	<b>5.1 cu ft</b>
Volume refrigerator	<b>11.7 cu ft</b>

**Consumption**

Energy rating	<b>Energy star</b>
Energy usage	<b>561kWh/year</b>
In-use energy carbon emissions estimate	<b>205.6kgCO2e/ year</b>

**Features**

Adjustable door shelves	<b>6</b>
Adjustable glass cantilevered shelves	<b>•</b>
Covered door shelves	<b>2</b>
Deli storage bins	<b>1</b>
Door alarm	<b>•</b>
Fruit and vegetable bins	<b>2</b>

LED lighting	<b>•</b>
Smart appliance	<b>•</b>
SmartTouch control panel	<b>•</b>
Stackable bottle holders	<b>4</b>

**Freezer Features**

Automatic ice maker	<b>•</b>
Bottle chill	<b>•</b>
Door alarm	<b>•</b>
Fast freeze	<b>•</b>
Freezer bins	<b>1</b>
Ice Boost	<b>•</b>
LED Lighting	<b>•</b>
Slide Out Pastry Tray	<b>•</b>

**Performance**

ActiveSmart™ Foodcare	<b>•</b>
Adaptive defrost	<b>•</b>
Automatic defrost	<b>•</b>
Frost Free Freezer	<b>•</b>
Humidity control system	<b>•</b>
Sabbath mode	<b>•</b>

**Power Requirements**

Supply frequency	<b>60 Hz</b>
Supply voltage	<b>115 V</b>

**Product Dimensions**

Depth	<b>23 3/4 "</b>
Height	<b>79 13/16 "</b>
Width	<b>35 1/16 "</b>

**Warranty**

Parts and labor	<b>2 years</b>
Sealed system parts only	<b>5 years</b>

SKU	26315
-----	-------

The product dimensions and specifications in this page apply to the specific product and model. Under our policy of continuous improvement, these dimensions and specifications may change at any time. You should therefore check with Fisher & Paykel's Customer Care Centre to ensure this page correctly describes the model currently available. © Fisher & Paykel Appliances Ltd 2020

**Other product downloads available at fisherpaykel.com**

- [↓](#) 2D-DWG Integrated French Door Fridge Freezer
- [↓](#) 2D-DXF Integrated French Door Fridge Freezer
- [↓](#) ArchiCAD Integrated French Door Fridge Freezer
- [↓](#) Data Sheet Integrated French Door Fridge Freezer
- [↓](#) Energy Label
- [↓](#) Service & Warranty
- [↓](#) Water Filter Replacement Instructions & Installation Guide EN
- [↓](#) Guide d'installation - Instructions de Remplacement du Filtre à Eau FR
- [↓](#) Installation Guide
- [↓](#) Planning Guide Integrated French Door Fridge Freezer
- [↓](#) Revit French Door Refrigerator Freezer

- [↓ Revit Integrated French Door Fridge Freezer](#)
- [↓ Rhino French Door Refrigerator Freezer with 80" Door Contemporary Round Handle](#)
- [↓ Rhino French Door Refrigerator Freezer with 80" Door Panel and Contemporary Square Fine Black Handle](#)
- [↓ Rhino French Door Refrigerator Freezer with 80" Door Contemporary Square Fine Handle](#)
- [↓ Rhino French Door Refrigerator Freezer with 80" Door Contemporary Square Handle](#)
- [↓ Rhino French Door Refrigerator Freezer with 80" Door Professional Round Flush Handle](#)
- [↓ Rhino French Door Refrigerator Freezer with 80" Door Professional Round Handle](#)
- [↓ Rhino French Door Refrigerator Freezer with 80" Door Professional Square Handle](#)
- [↓ Rhino French Door Refrigerator Freezer with 84" Door Contemporary Round Handle](#)
- [↓ Rhino French Door Refrigerator Freezer with 84" Door Panel and Contemporary Square Fine Black Handle](#)
- [↓ Rhino French Door Refrigerator Freezer with 84" Door Contemporary Square Fine Handle](#)
- [↓ Rhino French Door Refrigerator Freezer with 84" Door Contemporary Square Handle](#)
- [↓ Rhino French Door Refrigerator Freezer with 84" Door Custom Panel](#)
- [↓ Rhino French Door Refrigerator Freezer with 84" Door Professional Round Flush Handle](#)
- [↓ Rhino French Door Refrigerator Freezer with 84" Door Professional Round Handle](#)
- [↓ Rhino French Door Refrigerator Freezer with 84" Door Professional Square Handle](#)
- [↓ Rhino French Door Refrigerator Freezer with Custom Panel](#)
- [↓ SketchUp French Door Refrigerator Freezer with 80" Door Professional Round Flush Handle](#)
- [↓ SketchUp French Door Refrigerator Freezer with 84" Door Professional Round Flush Handle](#)
- [↓ SketchUp French Door Refrigerator Freezer with 80" Door Contemporary Round Handle](#)
- [↓ SketchUp French Door Refrigerator Freezer with 80" Door Panel and Contemporary Square Fine Black Handle](#)
- [↓ SketchUp French Door Refrigerator Freezer with 80" Door Contemporary Square Fine Handle](#)

- [↓ SketchUp French Door Refrigerator Freezer with 80" Door Contemporary Square Handle](#)
- [↓ SketchUp French Door Refrigerator Freezer with 80" Door Professional Round Handle](#)
- [↓ SketchUp French Door Refrigerator Freezer with 80" Door Professional Square Handle](#)
- [↓ SketchUp French Door Refrigerator Freezer with 84" Door Contemporary Round Handle](#)
- [↓ SketchUp French Door Refrigerator Freezer with 84" Door Panel and Contemporary Square Fine Black Handle](#)
- [↓ SketchUp French Door Refrigerator Freezer with 84" Door Contemporary Square Fine Handle](#)
- [↓ SketchUp French Door Refrigerator Freezer with 84" Door Contemporary Square Handle](#)
- [↓ SketchUp French Door Refrigerator Freezer with 84" Door Custom Panel](#)
- [↓ SketchUp French Door Refrigerator Freezer with 84" Door Professional Round Handle](#)
- [↓ SketchUp French Door Refrigerator Freezer with 84" Door Professional Square Handle](#)
- [↓ SketchUp French Door Refrigerator Freezer with Custom Panel](#)
- [↓ Sketchup Integrated French Door Fridge Freezer](#)
- [↓ User Guide](#)



**A PEACE OF MIND SALE**  
 24 Hours 7 Days a Week Customer Support  
 T 1.888.936.7872 W [www.fisherpaykel.com](http://www.fisherpaykel.com)

**Where applicable:**

All appliances use energy, and energy usage typically generates carbon emissions. **Fisher & Paykel Appliances' In-use Energy Carbon Emissions Estimate** indicates carbon emissions from a product's in-use energy. This is calculated either annually or per cycle, using the product's market-specific energy label energy consumption data multiplied by the carbon emissions factor for energy in your country or region.

Our In-use Energy Carbon Emissions Estimate is designed to assist customers in making informed purchasing decisions when comparing different Fisher & Paykel products. For example, a heat pump dryer typically has a lower In-use Energy Carbon Emissions Estimate than a vented dryer.