

FISHER & PAYKEL

INTEGRATED COLUMN WITH ASSISTED OPENING ACCESSORY

REFRIGERATOR & FREEZER

RS6121S, RS6121SH, RS7621S, RS7621SH
RS4621F, RS6121F & RS7621F

REFRIGERATOR-FREEZER

RS6121W & RS7621W

WINE CABINET

RS6121V

ASSISTED OPENING ACCESSORY

OPEX1 & OPIN1EX1RSW

INSTALLATION GUIDE

NZ AU

CONTENTS

Safety and warnings	4	Appliance preparation	32
Integrated refrigerator & freezer	5	Door panel preparation — Custom panel	34
Integrated refrigerator-freezer	6	Door panel preparation — Wine cabinet only	35
Integrated wine cabinet	6	Water supply connection	37
Supplied parts	7	Power supply connection	38
Required parts	8	Single installation — Align appliance into cabinetry	39
Door panel kit	9	Install lower Assisted Opening Accessory (Refrigerator freezer models only)	40
Handle kit	10	Single installation — Secure appliance into cabinetry	42
Hinge change kit	11	Door panel installation	43
Wine display accessories	11	Toe kick installation	45
Assisted opening accessory	12	Install upper assisted opening accessory	46
Tools	12	Fit trims and grille	49
Product dimensions	13	Fit lower Assisted Opening Accessory Cover	50
Assisted Opening Accessory dimensions	14	Carbon filter installation	50
Cabinetry dimensions	15	Air flow divider installation	51
Cabinetry dimensions	16	Door covers & Trims installation	52
Cabinetry dimensions — Multiple installation	17	Top trim & hinge pocket covers installation	53
Custom Door panel dimensions — Single installation	18	Multiple installation — Appliance preparation	54
Custom Door panel dimensions — Multiple installation	19	Multiple installation — Join products	55
Toe kick dimensions	20	Multiple installation — Roll into cabinetry	56
Installation options	21	Multiple installation — Level and secure	57
Door clearance	22	Grilles installation	58
Drawer clearance	22	Multiple installation — Top trim & hinge pocket covers installation	59
Electrical and plumbing	23	Multiple installation — Install trims	60
Custom door panel install dimensions	24	Wine display for wine cabinet	61
Before installation	29	Change the door hinges (optional)	63
Cavity preparation	31	Final checklist	68

⚠ WARNING!



Electric Shock Hazard

Failure to follow this advice may result in electrical shock or death.

- Read and follow the safety and warnings outlined in this User guide before operating this appliance.

⚠ WARNING!



Cut Hazard

Failure to use caution could result in injury.

- Take care: panel edges may be sharp.
- Do not put fingers in the drawers when closing.

⚠ WARNING!



Tip Hazard

- This product may tip until it is fully installed. Keep children away and take care. Failure to follow this advice may result in injury.
- This appliance is top-heavy and must be secured to prevent the possibility of tipping forward.

To ensure that the appliance is stable under all loading conditions:

- The anti-tip bracket and fittings supplied must be installed by a professional installer according to the installation steps in this guide.

READ AND SAVE THIS GUIDE

WARNING!

To avoid hazard, follow these instructions carefully before installing or using this appliance.

- Please make this information available to the persons installing the appliance.
- Assume all electrical parts are live.
- Disconnect power supply to refrigerating appliance before servicing and installation.

BEFORE INSTALLATION

- The appliance has front and rear rollers to easily move forward and backward. Do not move the appliance sideways to avoid damaging the rollers or the floor covering/surface.
- Ensure your appliance is not exposed to any heat generating appliance eg cooktop, oven or dishwasher.
- The appliance must be installed by a qualified installer, or Fisher and Paykel trained and supported service technician to avoid faulty electrical and plumbing connections.
- All connections for electrical power and grounding must comply with local codes and ordinances and be made by licensed personnel when required.
- Avoid installation of the appliance/s under a ground fault circuit interrupter (GFCI).
- Ensure the appliance is installed properly. Improper installation that results in appliance failure is not covered under the appliance warranty.

UNPACKING

- The appliance is heavy and requires at least two persons to move and install.
- Remove the installation kit (internal box) and trims kit (external box) while the product is still on the pallet.
- Avoid scratching the surface of your appliance when moving or installing.
- Keep the appliance stable and door closed to prevent tipping over when moving to the installation location.
- Ensure the feet of the appliance are retracted before moving to the installation location.
- If the appliance is damaged, contact your Fisher and Paykel dealer.
- Ensure all components and accessories are complete. Refer to 'Before installation'.
- Record the default Wifi password, and the model and registration numbers for future servicing or repair of your appliance.

ELECTRICAL/PLUMBING

- Alternatively, electrical and water supply connections for these appliances can be located in an adjacent area or unit (cabinet or cupboard) that are easily accessible in case of repair or disconnection.
- Ensure an isolating switch is available if electrical connection is not accessible.

SAFETY AND WARNINGS

INSTALLATION

- The anti-tip bracket and fittings supplied must be fitted to the wall of the finished enclosure to withstand a 100kg load.
- Ensure that the anti-tip bracket is installed correctly to prevent the possibility of the appliance tipping forward when the door is open.
- Ensure the door of the appliance is closed when rolling into the cabinetry.
- Ensure the power cord is not run over or damaged when rolling the product into the cabinetry.
- For flush installation, ensure the door panels are installed flush with cabinetry front surface. Ensure the appliance is properly centred.
- All four corners of the appliance must be supported firmly on the floor to eliminate any movement. Installing the appliance on a soft, uneven, or not level floor may cause twisting and poor door sealing.
- Use low speed, low torque setting when using a powered driver for the screws when fixing or aligning the product.
- Open the appliance door to remove the alignment brackets from both sides of the appliance, and then re-tighten the screws.

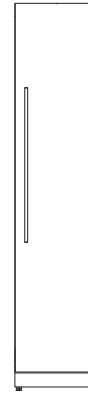
Custom panel

- If using Custom door panels, ensure they are prepared as per 'Custom door panel install dimensions' section.
- The thickness of the custom door panel can vary as long as the screws do not penetrate beyond the full depth of the door panel, and as long as the overall weight of door panel does not exceed the allowable weight. Refer to 'Door panel dimensions' for maximum door panel weight of your product.
- Do not place the handle holes in marked areas to avoid clashing with panel attachment brackets.
- Minimum panel thickness where screw hole is drilled must be 16mm.

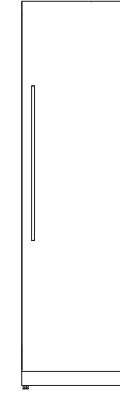
Changing the door hinge (optional)

- Door hinges are interchangeable for each model. A hinge change kit is available and can be purchased separately if you prefer to change from 'right hinge door' to 'left hinge door' or vice versa.

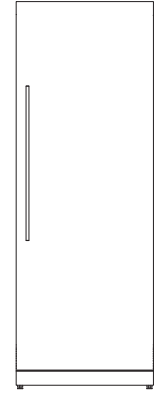
INTEGRATED REFRIGERATOR & FREEZER



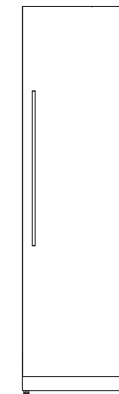
Freezer, 46cm
RS4621FLJK*
& RS4621FRJK*



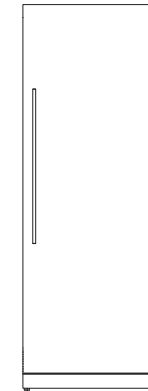
Freezer, 61cm
RS6121FLJK*
& RS6121FRJK*



Freezer, 76cm
RS7621FLJK*
& RS7621FRJK*



Refrigerator, 61cm
RS6121SLK*, RS6121SLHK*,
RS6121SRHK* & RS6121SRK*



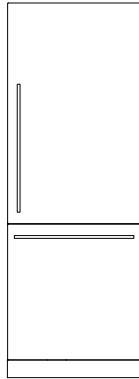
Refrigerator, 76cm
RS7621SLK*, RS7621SLHK*,
RS7621SRHK* & RS7621SR*

Left or Right hinged door available for each model.

INTEGRATED REFRIGERATOR-FREEZER

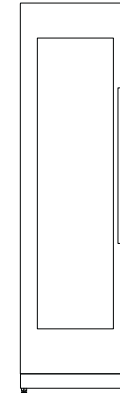


Refrigerator-Freezer, 61cm
RS6121WLUK* & RS6121WRUK*



Refrigerator-Freezer, 76cm
RS7621WLUK* & RS7621WRUK*

INTEGRATED WINE CABINET



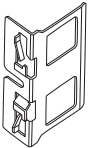
Wine Cabinet, 61cm
RS6121V2LK* & RS6121V2RK*

Left or Right hinged door available for each model.

SUPPLIED PARTS

INSTALLATION KIT (INTERNAL BOX)

Door panel attachment kit



Side bracket (12)



Bracket slider (12)

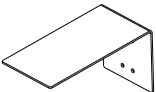


Side spacer bracket (12)



M5x12 Cross-head screw (44)

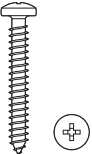
Anti-tip bracket assembly



Anti-tip bracket (1)

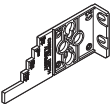


Masonry plug (5)

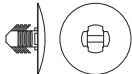


10-12x35mm crosshead screw (5)

Install fasteners kit



Depth alignment gauge (4)

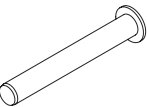


Barbed plug (2)



8Gx16 Countersunk screw (7)

Miscellaneous parts



Hinge limiting pin (3)



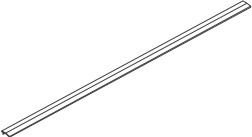
Air toe kick seal (1)



Flow divider cap (1)

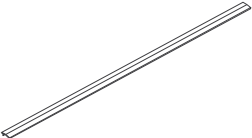
TRIMS INSTALL KIT (EXTERNAL BOX)

Refrigerator or Freezer



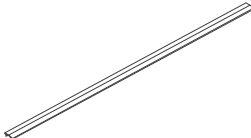
Door panel side cover (2)

Wine Cabinet



Door panel side cover (2)

Refrigerator-Freezer



Upper door panel side cover (2)



Lower door panel side cover (2)



Drawer top trim (1)

SUPPLIED PARTS

MISCELLANEOUS ITEMS (MI) PACK



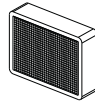
Installation guide



Service & Warranty



User guide



Air carbon filters (2)
#862755
For Wine Cabinet only

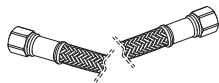
WATER CONNECTION KIT

Supplied in models with Ice & Water function only
(RS6121SH, RS7621SH, RS4621F, RS6121F, RS7621F, RS7621W & RS7621W)

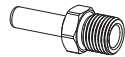
Water filter comes preinstalled on this product.



Collet locking clip (1)



6mm Stainless steel braided hose with 7/16-24 UNS thread (1)

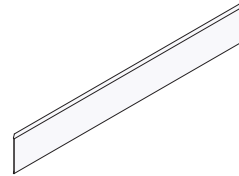


6.35mm Adaptor (2)

REQUIRED PARTS

STAINLESS STEEL TOE KICK PANEL

Not supplied and can be purchased separately through an authorised Fisher and Paykel dealer. Visit fisherpaykel.com for more information.



Toe kick panel (1)

Standard toe kick height is 102mm for standard stainless steel door panel.

For Custom door panel installation, a toe kick 50-152mm must be fitted and adjusted accordingly.

An extra bottom grille is required when you use 50mm toe kick height.

You can purchase the extra bottom grille (847542P) online at fisherpaykel.com.

INSTALL JOINER KIT

Used for combined installation of multiple appliances. Supplied in selected appliances only (Freezer and Wine Cabinets). For other models, the joiner kit (AJ-RS84LR) can be purchased separately through an authorised Fisher and Paykel dealer. Visit fisherpaykel.com for more information.

Joiner fastener kit



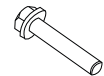
Joiner Sleeve (2)



Screw WSH M6 (1)



M6 Hex Nut (1)



Bolt M5 HEX (2)



Flange Joiner Trim (2)



Aluminium center trim (1)

DOOR PANEL KIT

REFRIGERATOR OR FREEZER

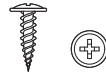
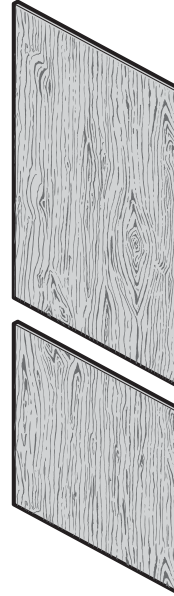
Custom door panel



M5x12 Cross-head screw (44)
Included in Installation kit

REFRIGERATOR-FREEZER

Custom door panel

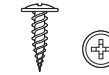
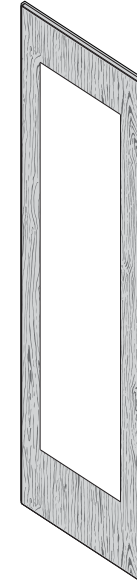


M5x12 Cross-head screw (44)
Included in Installation kit

WINE CABINET

Custom door panel

The Custom door panel must leave the glass pane visible. A full custom panel sheathing over the glass pane does not meet the specifications of the Wine Cabinet.



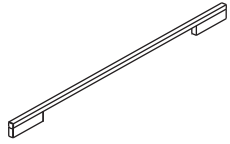
M5x12 Cross-head screw (44)
Included in Installation kit

Custom door panels must be supplied by the customer to match their cabinetry. Stainless steel door panels are not supplied and must be purchased separately through an authorised Fisher and Paykel dealer. Take note of the part numbers above to ensure you are ordering the correct door panel set. Visit fisherpaykel.com for more information.

HANDLE KIT

CONTEMPORARY

Aluminium/Black square fine handle set



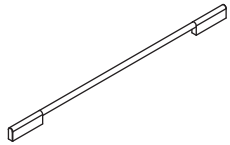
Square fine handle
(1)



M5x25 Hex screw
(4)

MODEL	DESCRIPTION
REFRIGERATOR/FREEZER WINE CABINET	AHD5-RDSF
RS61 REFRIGERATOR-FREEZER	AHD5RD6121W
RS76 REFRIGERATOR-FREEZER	AHD5RD7621W

Aluminium round handle set



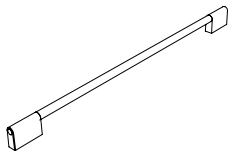
Round handle
(1)



M5x25 Hex screw
(4)

MODEL	DESCRIPTION
REFRIGERATOR/FREEZER WINE CABINET	AHSRDSF
RS61 REFRIGERATOR-FREEZER	AHSRD6121W
RS76 REFRIGERATOR-FREEZER	AHSRD7621W

Classic handle set

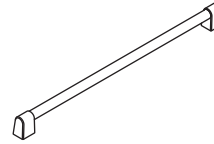


M5x25 Hex screw
(4)

MODEL	DESCRIPTION
REFRIGERATOR/FREEZER WINE CABINET	AHCLRDSF
RS61 REFRIGERATOR-FREEZER	AHCLRD6121W
RS76 REFRIGERATOR-FREEZER	AHCLRD7621W

PROFESSIONAL

Stainless steel round flush handle set



Round flush handle
(1)





M5x25 Hex screw
(4)

MODEL	DESCRIPTION
REFRIGERATOR/FREEZER WINE CABINET	AHP3-RDSF
RS61 REFRIGERATOR-FREEZER	AHP3-RD6121W
RS76 REFRIGERATOR-FREEZER	AHP3-RD7621W

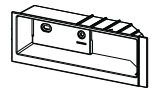
The handle kit is not supplied and must be purchased separately through an authorised Fisher and Paykel dealer. Visit fisherpaykel.com for more information. For Refrigerator-Freezer models, each handle kit includes two (2x) handles for door and drawer panels, and M5x25 hex screws (8x).

HINGE CHANGE KIT

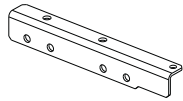
Not supplied and must be purchased separately through an authorised Fisher and Paykel dealer. Visit fisherpaykel.com for more information. Select among the hinge change kit options below:

HINGE KIT	REFRIGERATOR OR FREEZER			WINE CABINET	REFRIGERATOR-FREEZER	
	48CM	61CM	76CM	61CM	61CM	76CM
 Left to Right hinge	848186	848188	848190	864757P	848184P	848184P
 Right to Left hinge	848185	848187	848189	864759P	848183P	848183P

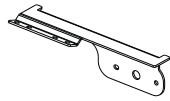
Left to Right hinge kit



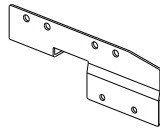
Top hinge pocket
RH (2)



K05 bottom adaptor*
bracket RH (1)

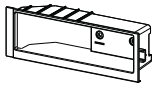


Top alcove bracket
RH (2)

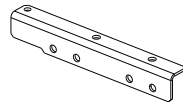


K05 top adaptor*
bracket RH (1)

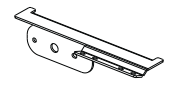
Right to Left hinge kit



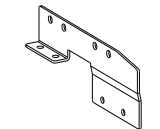
Top hinge pocket
LH (2)



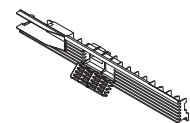
K05 bottom adaptor*
bracket LH (1)



Top alcove bracket
LH (2)



K05 top adaptor*
bracket LH (1)



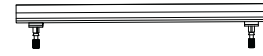
Top grille (1)
Supplied in Hinge change kit
for Refrigerator & Freezer and
Wine Cabinet only.

*Top and bottom adaptor brackets for Wine Cabinet different from illustration.

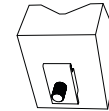
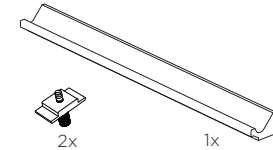
WINE DISPLAY ACCESSORIES

Accessories are not supplied with the appliance. A wine display kit and a label kit are sold separately and can be purchased online at fisherpaykel.com.

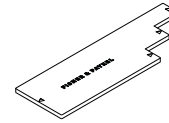
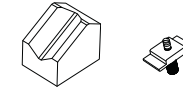
Wine display kit



Handle assembly (1)

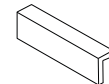


Cradle assembly (4)



Spacer (1)

Wine label kit



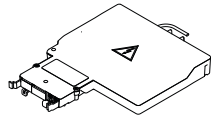
Label (14)



Pencil (1)

ASSISTED OPENING ACCESSORY

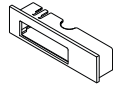
Required parts



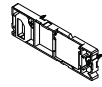
Assisted Opening Accessory



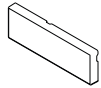
Power cord



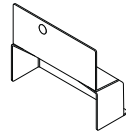
Lens cover



Striker plate assembly



Striker plate cover



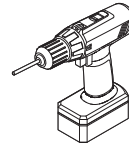
Mounting bracket*

*Refrigerator-Freezer models only

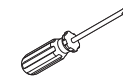
TOOLS

Required tools

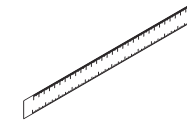
Not supplied and must be provided by the installer.



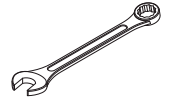
Powered driver



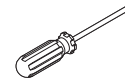
Flathead screwdriver



Ruler



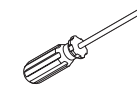
10mm spanner
(Used for multiple installation)



Cross-head screwdriver



Cutter



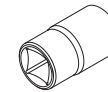
T20 star-head screwdriver
(Used for changing hinge)



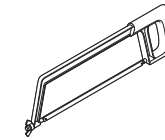
3mm allen key
(Used for multiple installation)



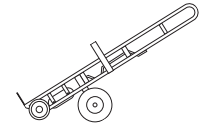
8mm socket wrench
(Used for joiner bolts)



13mm socket wrench
(Used for drawer panel of Refrigerator-Freezer model)

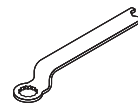


Hacksaw
(For cutting air flow divider to length)



Hand truck

Supplied tools



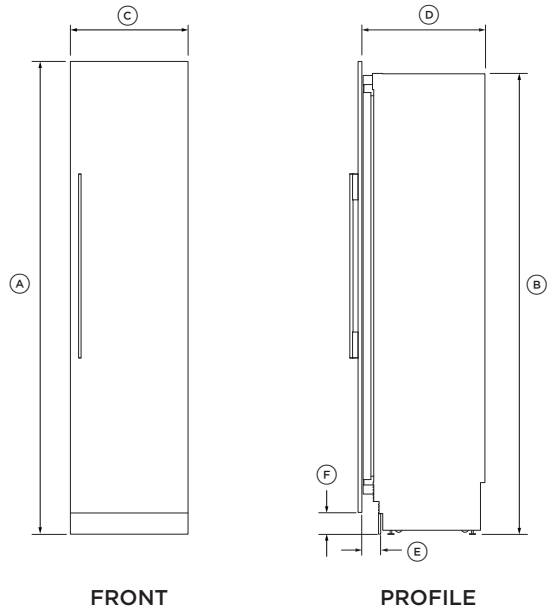
Spanner



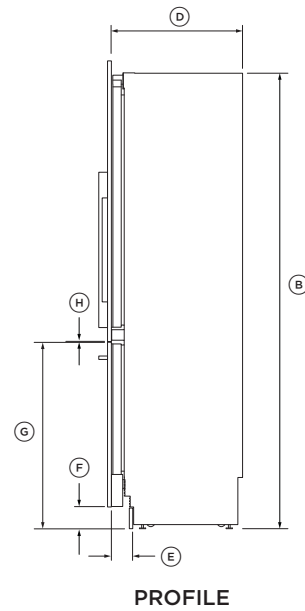
M4 hex key

PRODUCT DIMENSIONS

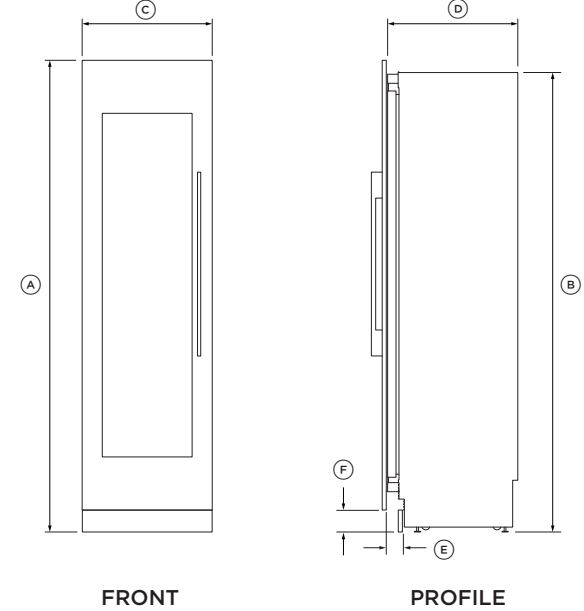
REFRIGERATOR OR FREEZER



REFRIGERATOR-FREEZER



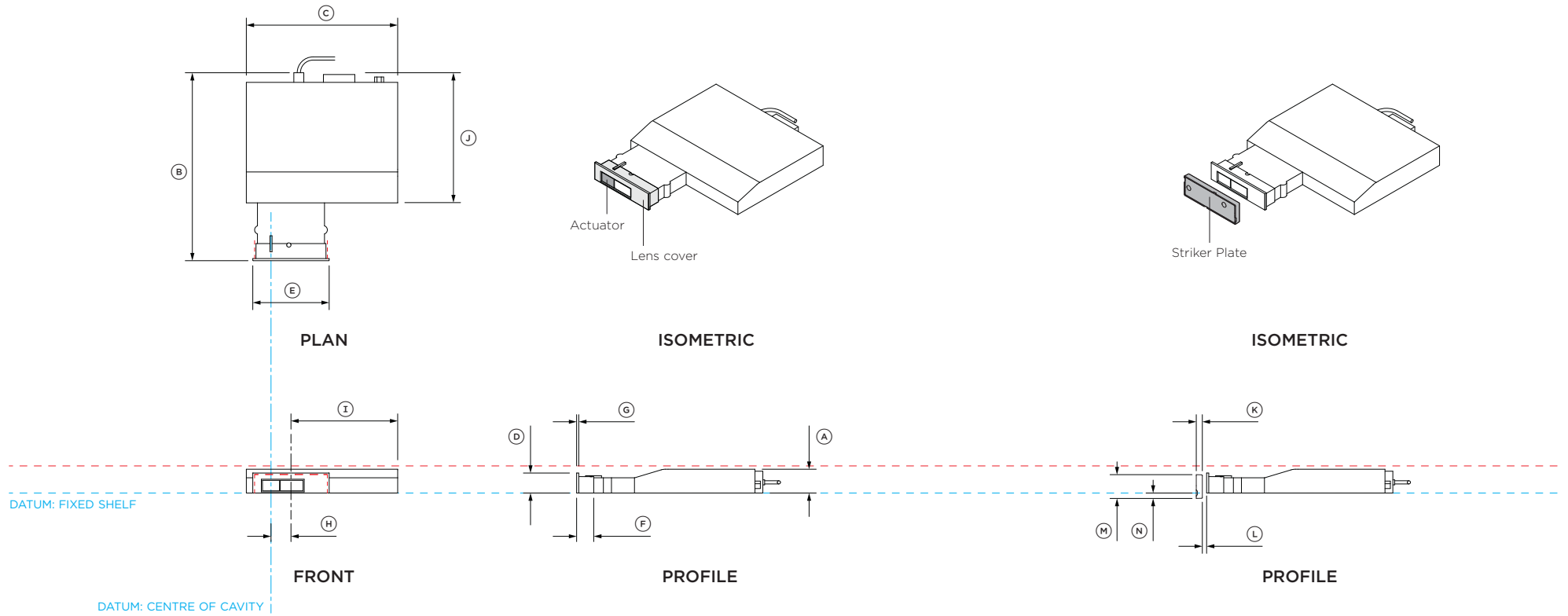
WINE CABINET



PRODUCT DIMENSIONS	46CM	61CM	76CM
	MM	MM	MM
Ⓐ Minimum overall height (including door panel)	2188	2188	2188
Ⓑ Height of chassis	2134	2134	2134
Ⓒ Overall width	451	603	756
Ⓓ Overall depth (excluding door panel)	610	610	610
Ⓔ Depth of toe kick (measured from back of door panel)	73-102	73-102	73-102
Ⓕ Height from floor to bottom of custom door/drawer panel	50 - 152	50 - 152	50 - 152
Ⓖ Height from floor to top of drawer panel (Refrigerator-Freezer only)	874	874	874
Ⓗ Gap between door and drawer panels (Refrigerator-Freezer only)	-	3	3
PRODUCT WEIGHT (WITHOUT PACKAGING)	KG	KG	KG
Refrigerator or Freezer	101	117	134
Refrigerator-Freezer	-	142	163
Wine cabinet	-	152	-

46cm model for Freezer only. Wine Cabinet available in 61cm only.

ASSISTED OPENING ACCESSORY DIMENSIONS

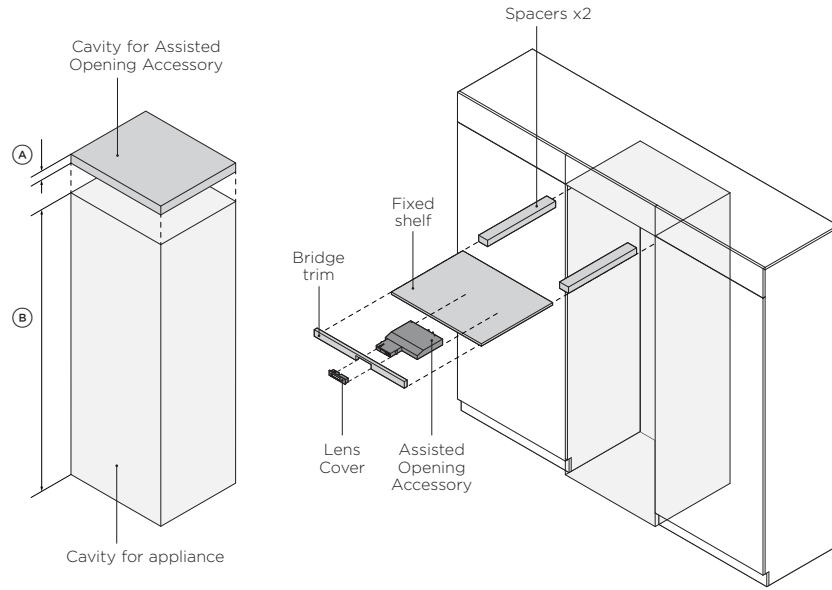


ASSISTED OPENING ACCESSORY DIMENSIONS	MM
(A) Overall height of Assisted Opening Accessory	34
(B) Overall depth of Assisted Opening Accessory	264
(C) Overall width of Assisted Opening Accessory	213
(D) Height of lens cover	28
(E) Width of lens cover	107
(F) Depth of lens cover	24
(G) Depth of lens cover flange	3

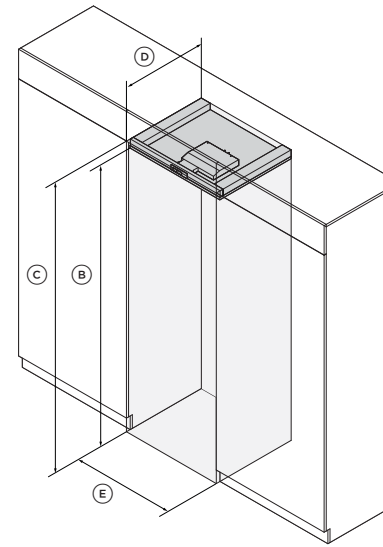
ASSISTED OPENING ACCESSORY DIMENSIONS	MM
(H) Distance between centre of lens cover and centre of actuator*	28
(I) Distance between center of lens cover and outside of main body	150
(J) Depth of main body	182
(K) Depth of Striker Plate	9
(L) Distance between lens cover and striker plate	6
(M) Height of striker plate	34
(N) Distance from base of main unit and base of striker plate	8

* Recommended for centre of actuator to be centred in appliance cavity

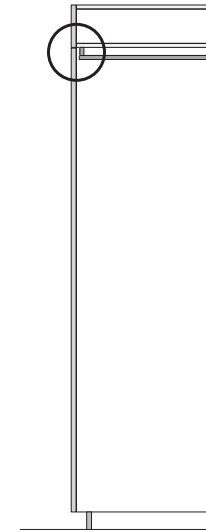
CABINTRY DIMENSIONS



EXPLODED ISOMETRIC

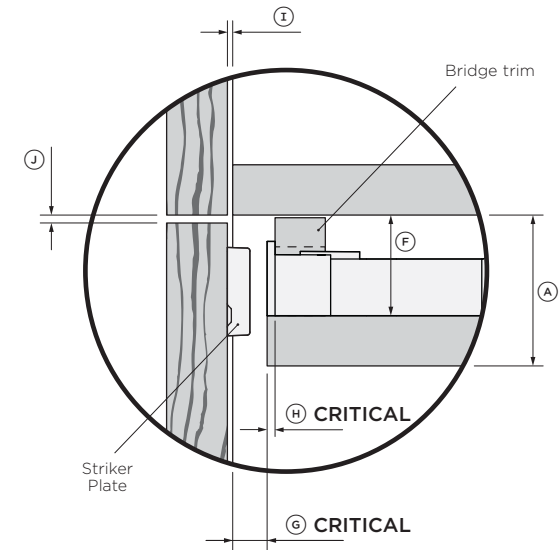


ISOMETRIC



PROFILE

CAVITY DIMENSIONS	46CM	61CM	76CM
	MM	MM	MM
Ⓐ Minimum height of upper cavity for Assisted Opening Accessory cabinetry assembly*	57	57	57
Ⓑ Height of lower cavity for appliance	2134	2134	2134
Ⓒ Minimum overall height of cavity	2191	2191	2191
Ⓓ Minimum overall depth of cavity **	635	635	635
Ⓔ Overall width of cavity	457	610	762
Ⓕ Minimum spacer height for Assisted Opening Accessory clearance	38	38	38
Ⓖ Distance from front of cabinetry carcass to front of fixed shelf	11	11	11
Ⓗ Distance from front of fixed shelf to front of bridge trim	3	3	3
Ⓙ Minimum gap from door panel to cabinetry ***	2	2	2
Ⓚ Minimum gap from edge of door panel to cabinetry	3	3	3



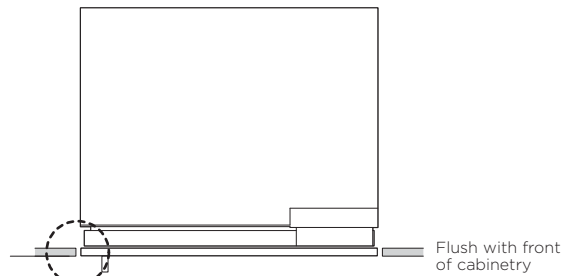
PROFILE DETAIL

* Assumes fixed shelf thickness of 19mm

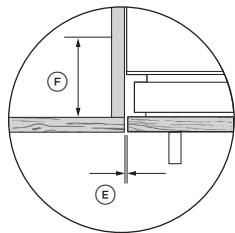
** Assumes a door panel thickness of 19mm with services placed outside of cavity

*** Gap required for push motion to activate Assisted Opening

CABINERY DIMENSIONS

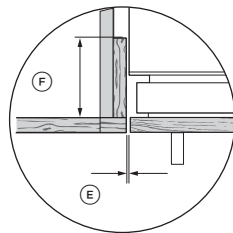


PLAN



UNFRAMED

Aligns appliance with cabinetry



FRAMED

Aligns appliance with frame of cabinetry

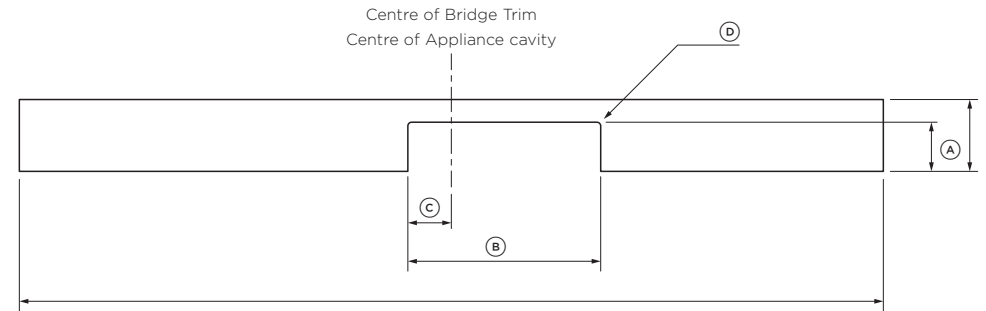
CAVITY DIMENSIONS

MM

Ⓔ	Minimum gap from edge of door panel to cabinetry	3
Ⓕ	Minimum required finished return	102

*Assumes a door panel thickness of 19mm with services placed outside of cavity

BRIDGE TRIM



FRONT

Bridge Trim needs to be easily removed.

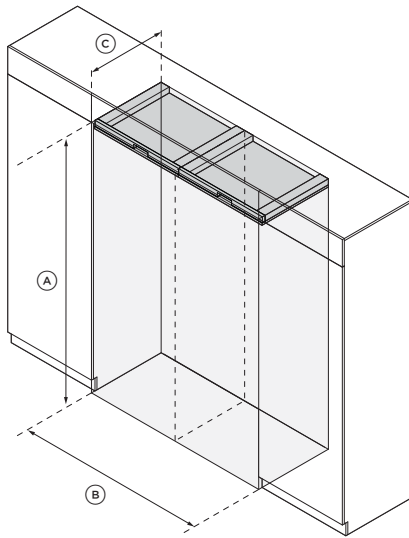
BRIDGE TRIM DIMENSIONS

MM

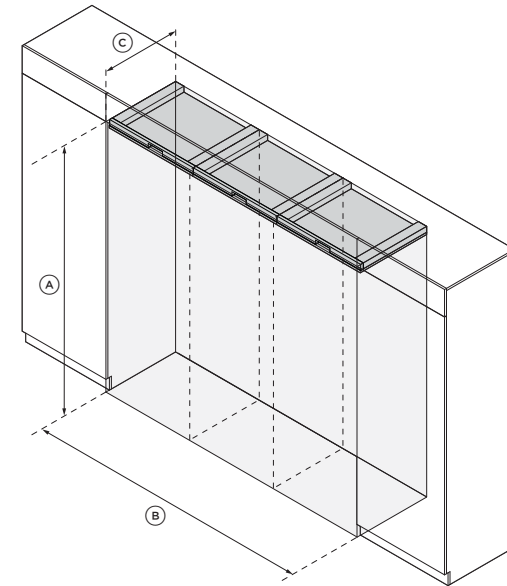
Ⓐ	Height of cutout	26
Ⓑ	Width of cutout	102
Ⓒ	Offset from centre of trim to centre of cutout	28
Ⓓ	Corner radii of cutout	max 5

CABINETY DIMENSIONS – MULTIPLE INSTALLATION

DUAL INSTALL



TRIPLE INSTALL



DUAL INSTALL

CAVITY DIMENSIONS	107CM (46+61CM)	122CM (61+61CM)	137CM (46+61CM)	152CM (76+76CM)
	MM	MM	MM	MM
(A) Minimum overall height of cavity	2191	2191	2191	2191
(B) Overall width of cavity	1067	1220	1372	1524
(C) Minimum overall depth of cavity*	635	635	635	635

*Assumes a door panel thickness of 19mm with services placed outside of cavity.

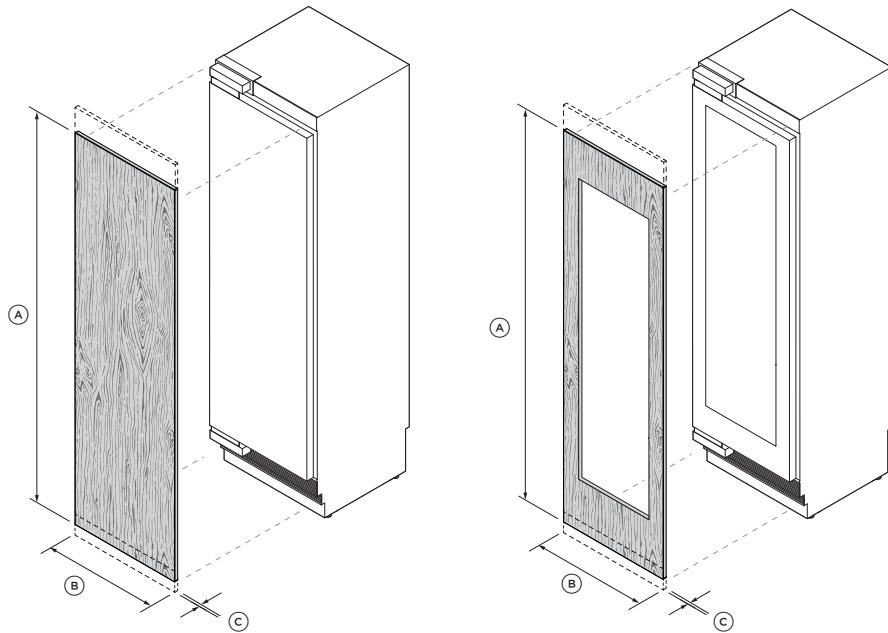
TRIPLE INSTALL

CAVITY DIMENSIONS	168CM (46+61+61CM)	183CM (61+61+61CM)	198CM (61+61+76CM)	213CM (61+76+76CM)	229CM (76+76+76CM)
	MM	MM	MM	MM	MM
(A) Minimum overall height of cavity	2191	2191	2191	2191	2191
(B) Overall width of cavity	1677	1829	1982	2134	2286
(C) Minimum overall depth of cavity*	635	635	635	635	635

*Assumes a door panel thickness of 19mm with services placed outside of cavity.

CUSTOM DOOR PANEL DIMENSIONS – SINGLE INSTALLATION

REFRIGERATOR OR FREEZER / WINE CABINET



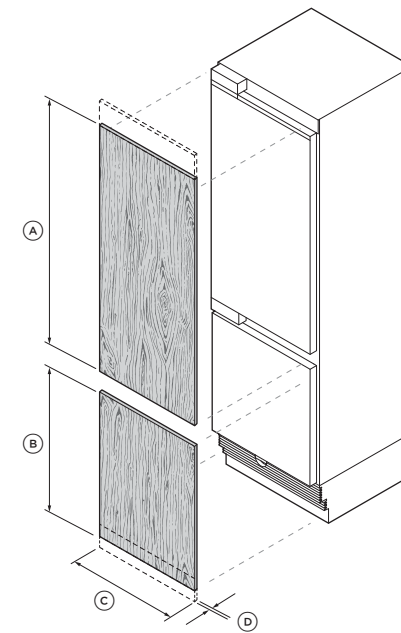
DOOR PANEL DIMENSIONS	46CM	61CM	76CM
	MM	MM	MM
(A) Minimum height of door panel*	2086	2086	2086
(B) Width of door panel	451	603	756
(C) Depth of door panel**	min 16 - max 25	min 16 - max 25	min 16 - max 25

* Based on nominal kick height of 102mm.

** Excluding handle

DOOR PANEL WEIGHT	46CM	61CM	76CM
	KG	KG	KG
Weight of Refrigerator or Freezer door panel	max 20	max 25	max 30
Weight of Wine cabinet door panel	—	max 25	—

REFRIGERATOR-FREEZER



DOOR PANEL DIMENSIONS	61CM	76CM
	MM	MM
(A) Minimum height of door panel	1311	1311
(B) Height of bottom drawer panel	721-822	721-822
(C) Width of door panel	603	756
(D) Depth of door panel**	min 16 - max 25	min 16 - max 25

** Excluding handle

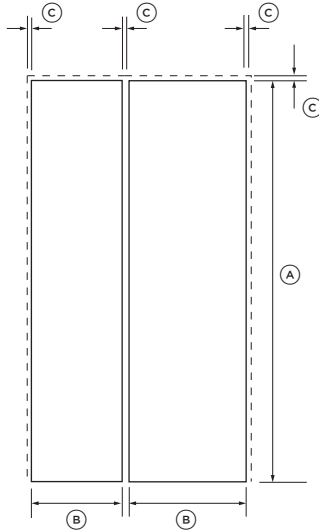
DOOR PANEL WEIGHT	61CM	76CM
	KG	KG
Weight of top door panel	max 15	max 18
Weight of bottom drawer panel	max 9	max 11

For Wine cabinet, the Custom door panel must leave the glass pane visible. A full custom panel sheathing over the glass pane does not meet the specifications of this appliance. For all models, maximum panel weight must not be exceeded.

CUSTOM DOOR PANEL DIMENSIONS – MULTIPLE INSTALLATION

DUAL INSTALL

The illustrations below are examples of custom door panels of different combinations for dual installation. Minimum gaps of 3mm must be retained between door panel side edges and cabinetry regardless of door panel widths.

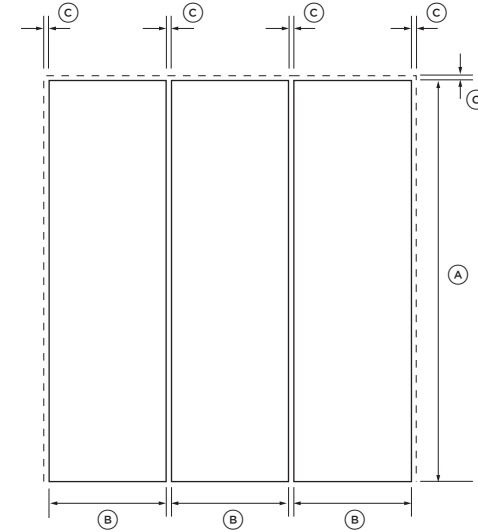


DIMENSIONS	46CM	61CM	76CM
	MM	MM	MM
Ⓐ Minimum height of door panel*	2086	2086	2086
Ⓑ Width of door panel	452	605	757
Ⓒ Minimum clearance between door panels and cabinetry	3	3	3

*Based on nominal kick height of 102mm

TRIPLE INSTALL

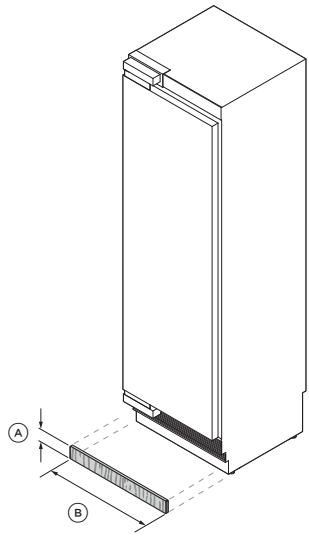
The illustrations below are examples of custom door panels of different combinations for triple installation. Minimum gaps of 3mm must be retained between door panel side edges and cabinetry regardless of door panel widths.



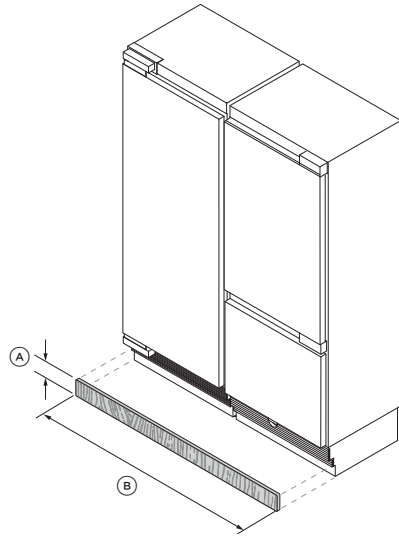
DIMENSIONS	46CM	61CM	76CM
	MM	MM	MM
Ⓐ Minimum height of door panel	2086	2086	2086
Ⓑ Width of door panel	454	605	757
Ⓒ Minimum clearance between door panels and cabinetry	3	3	3

*Based on nominal kick height of 102mm

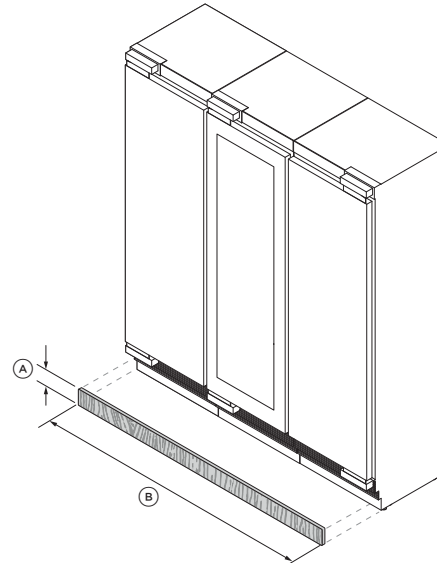
TOE KICK DIMENSIONS



SINGLE INSTALL

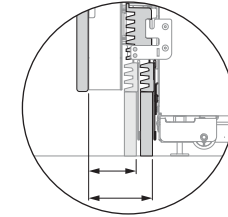


DUAL INSTALL

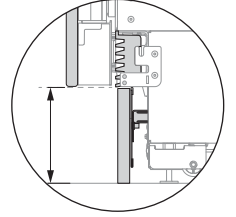


TRIPLE INSTALL

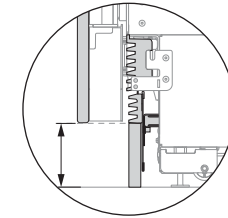
Custom toe kick options



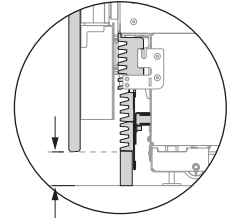
73mm-102mm toe kick depth
measured from rear of door
panel to rear of kick panel



152mm toe kick height



102mm toe kick height



51mm toe kick height
(with extra lower grille attached)

SINGLE INSTALL

CUSTOM PANEL	46CM	61CM	76CM
	MM	MM	MM
Ⓐ Height of toe kick*	50 - 152	50 - 152	50 - 152
Ⓑ Width of toe kick	454	606	759

DUAL INSTALL

CUSTOM PANEL	92CM (46+46CM)	107CM (46+61CM)	122CM (61+61CM)	137CM (61+76CM)	152CM (76+76CM)
	MM	MM	MM	MM	MM
Ⓐ Height of toe kick*	50 - 152	50 - 152	50 - 152	50 - 152	50 - 152
Ⓑ Width of toe kick	912	1064	1216	1368	1521

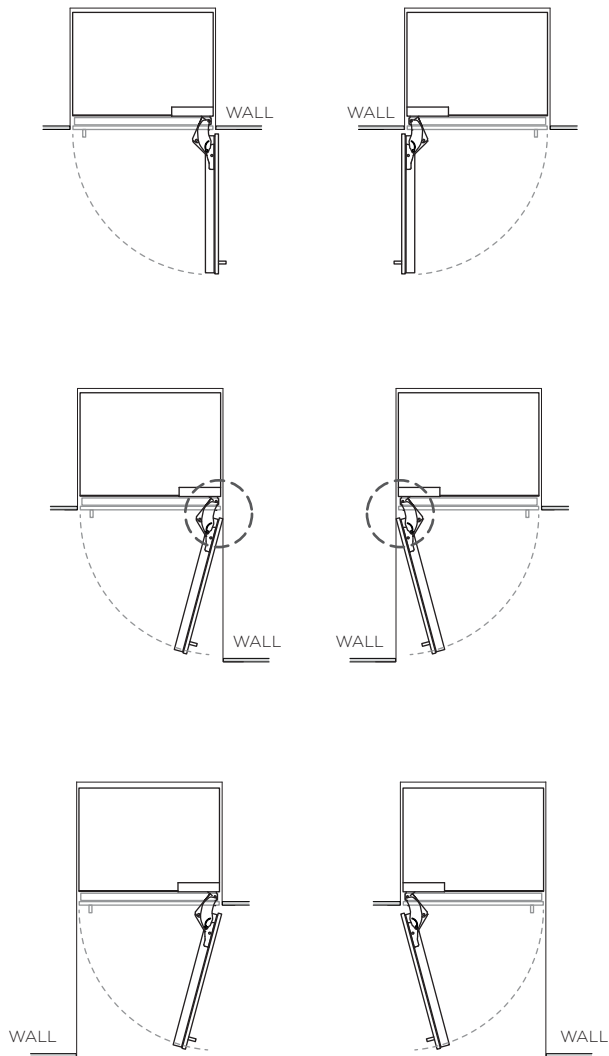
TRIPLE INSTALL

CUSTOM PANEL	168CM (46+61+61CM)	183CM (61+61+61CM)	213CM (61+76+76CM)	229CM (76+76+76CM)
	MM	MM	MM	MM
Ⓐ Height of toe kick*	50 - 152	50 - 152	50 - 152	50 - 152
Ⓑ Width of toe kick	1674	1826	2131	2283

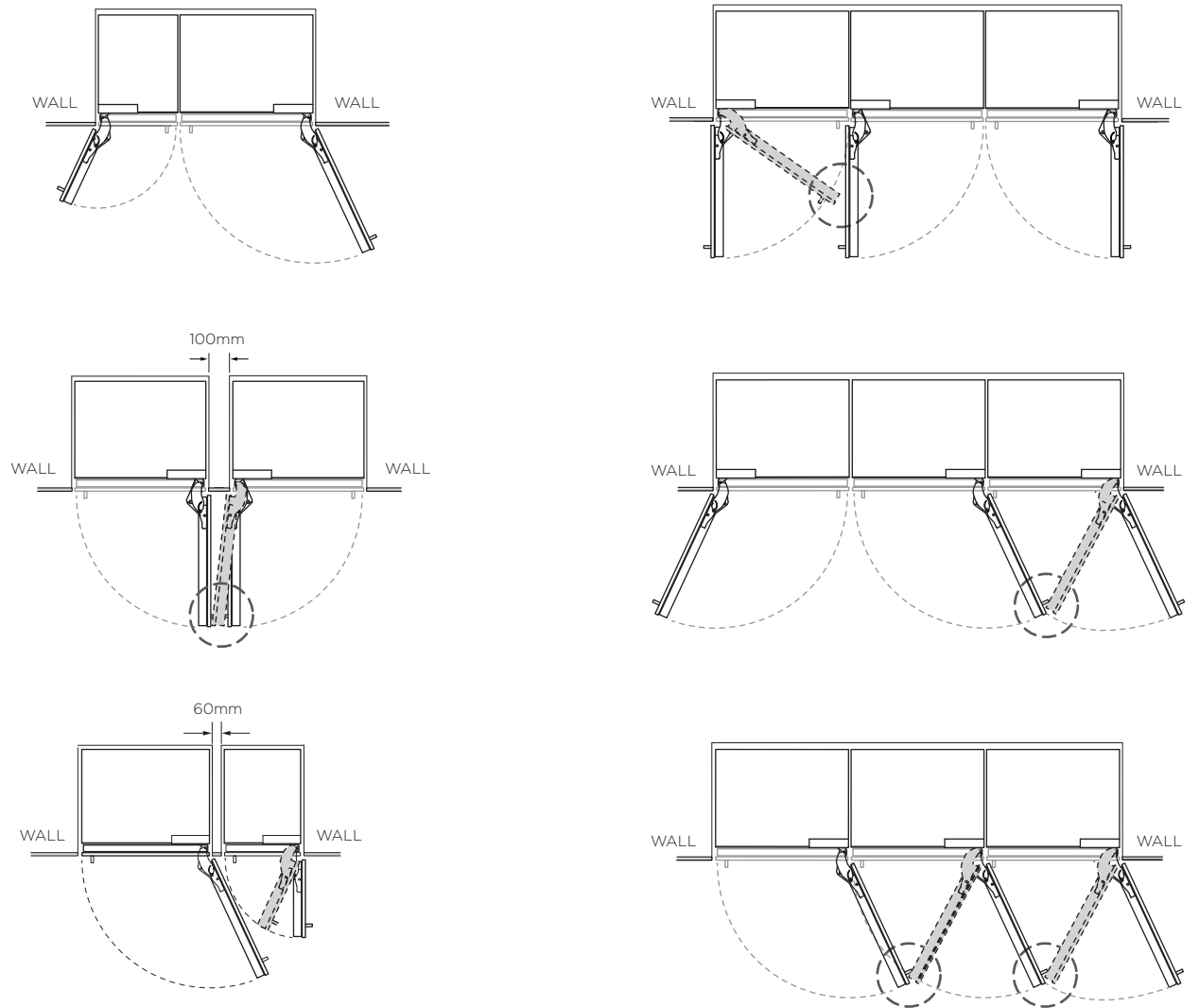
*Standard toe kick height is 102mm for any install options.

INSTALLATION OPTIONS

SINGLE INSTALL

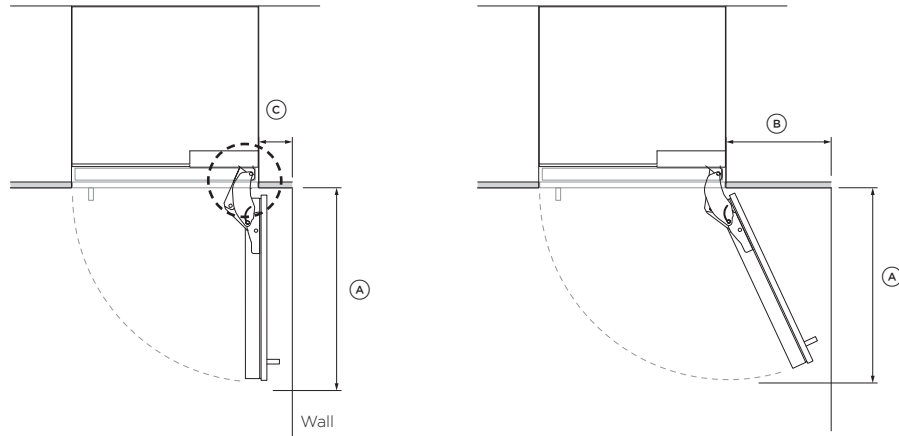


MULTIPLE INSTALL



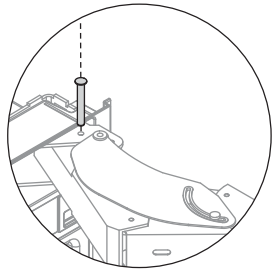
The illustrations above show acceptable installation options with reference to the door opening range and partition (optional). Be aware of clashing (circled) of doors or handles when opening at the same time. If installing a partition between the appliances, ensure there is enough clearance to avoid doors/handles from interfering with each other when opening or closing. If necessary, use a hinge limiting pin to restrict door opening rotation to 90°. Refer to 'Door clearance' for more information.

DOOR CLEARANCE



LIMITED INTERNAL ACCESS

FULL INTERNAL ACCESS



Insert hinge limiting pin

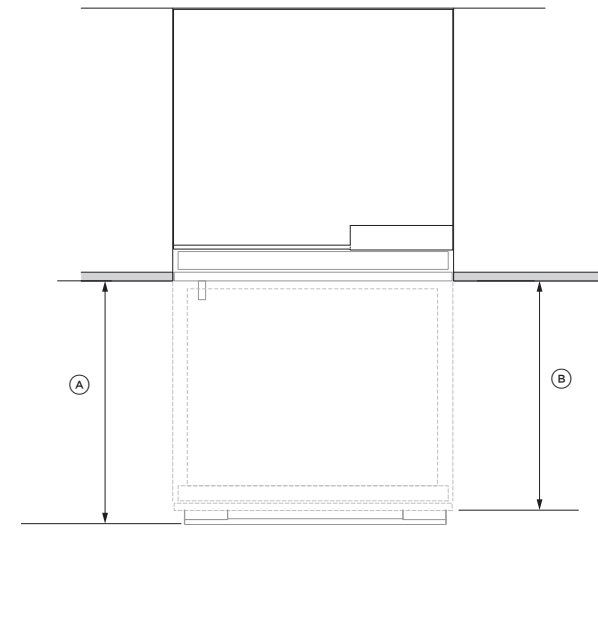
Before pushing the appliance into the cabinetry, insert the supplied hinge limiting pin into the borehole of the top and bottom door hinges. The hinge limiting pin limits door swing to 90°.

For Refrigerator-Freezer models, the hinge limiting pins are inserted into the boreholes of the top and bottom hinges of top door.

DIMENSIONS	46CM	61CM	76CM
	MM	MM	MM
Ⓐ Width of door (90° open) measured from front of door	508	660	813
Ⓑ Minimum door clearance to adjacent wall* (115° – full internal access)	292	356	419
Ⓒ Minimum door clearance* to adjacent wall* (90° – reduced internal access)	110	110	110

DRAWER CLEARANCE

These dimensions apply to Refrigerator-Freezer models only.

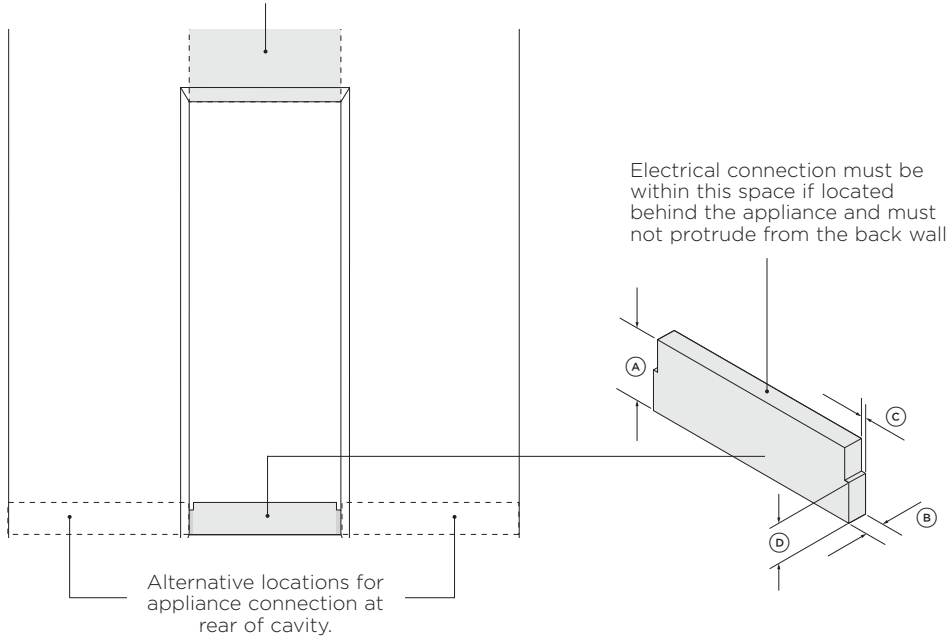


DIMENSIONS	61CM	76CM
	MM	MM
Ⓐ Maximum drawer extension when open (including handle)*	461	461
Ⓑ Maximum drawer extension when open (excluding handle)	420	420

*Assumes handle depth of 41mm

ELECTRICAL AND PLUMBING

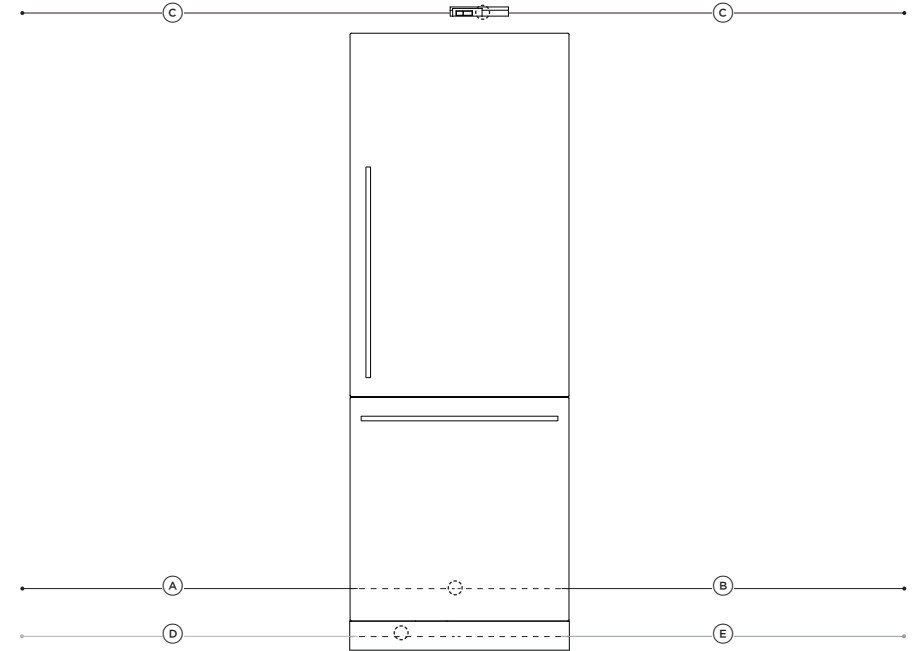
Recommended location for AOA electrical connection. Ensure there is a power socket for each Assisted Opening Accessory. (Can be located either side at any height.)



SUPPLY AREA	MM
(A) Overall height of supply area	229
(B) Overall depth of supply area	25
(C) Width of notch in supply area (both sides)	13
(D) Height of sides of supply area (both sides)	127

ELECTRICAL SPECIFICATIONS	APPLIANCE	ASSISTED OPENING
Supply	230 VAC, 50 Hz	230 VAC, 50 Hz
Service	10 amp circuit	10 amp circuit
Socket	3-pin earthing-type	3-pin earthing-type

PLUMBING SPECIFICATIONS	APPLIANCE
Supply	12.7mm BSP Stainless steel braided hose with adaptor
Pressure	min 150kPa - max 827kPa @ 20°C

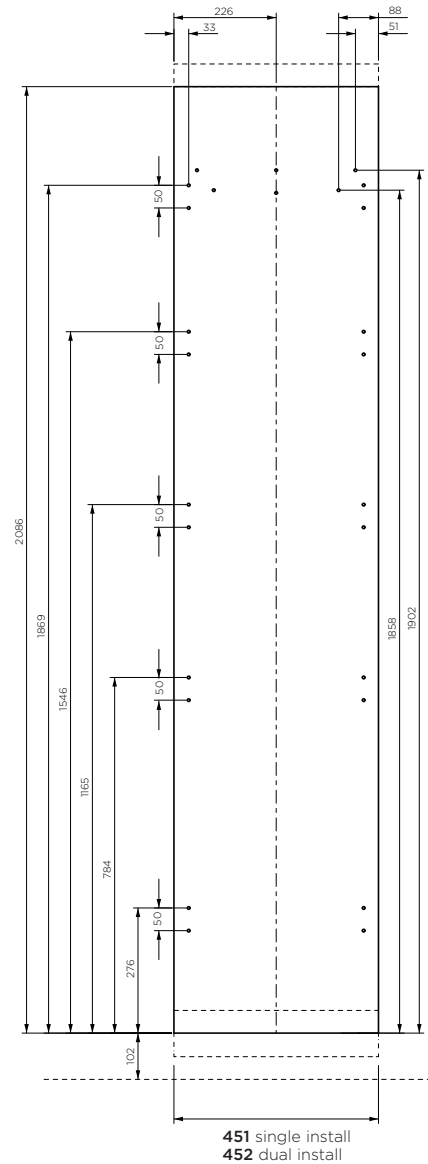


POWER CORD	46CM	61CM	76CM
	MM	MM	MM
(A) Total length exiting from left side of appliance (excluding plug)	1385	1809	1733
(B) Total length exiting from right side of appliance (excluding plug)	1411	1835	1759
(C) Total length exiting from rear of Assisted Opening Accessory	3000	3000	3000

WATER HOSE	46CM	61CM	76CM
	MM	MM	MM
(D) Total length exiting from left side of appliance	2271	2196	1733
(E) Total length exiting from right side of appliance	1956	1878	1759

CUSTOM DOOR PANEL INSTALL DIMENSIONS

Dimensions apply for the preparation and installation of Custom door panels. For Dwg and Dxf files of the below panel preparation, download the folder from <http://thekitchentools.fisherpaykel.com>. The thickness of the custom door panel can vary provided that the screws do not penetrate beyond the full depth of the door panel.



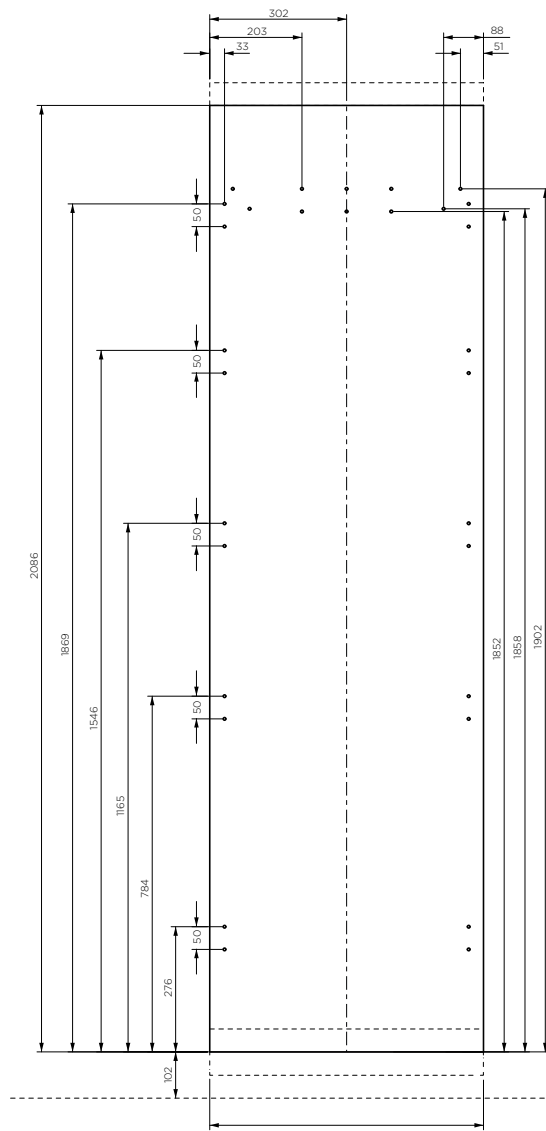
18x Pilot holes recommended for bracket attachment. (Do not penetrate front surface).

Do not place pilot holes for handle attachment in marked areas to avoid clashing with panel attachment brackets

- Toe kick height 152mm
- Toe kick height 102mm
- Toe kick height 51mm
- Floor

46CM FREEZER

CUSTOM DOOR PANEL INSTALL DIMENSIONS



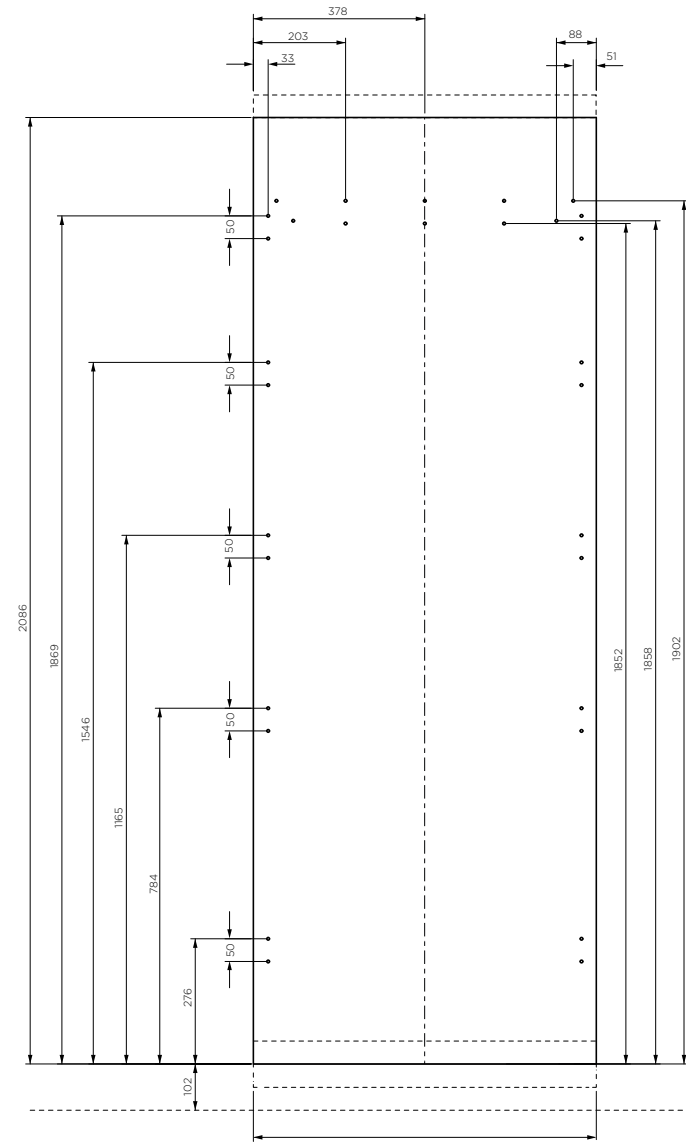
603 single install
605 dual install

61CM REFRIGERATOR OR FREEZER

22x Pilot holes recommended for bracket attachment. (Do not penetrate front surface).

Do not place pilot holes for handle attachment in marked areas to avoid clashing with panel attachment brackets.

- Toe kick height 152mm
- Toe kick height 102mm
- Toe kick height 51mm
- Floor



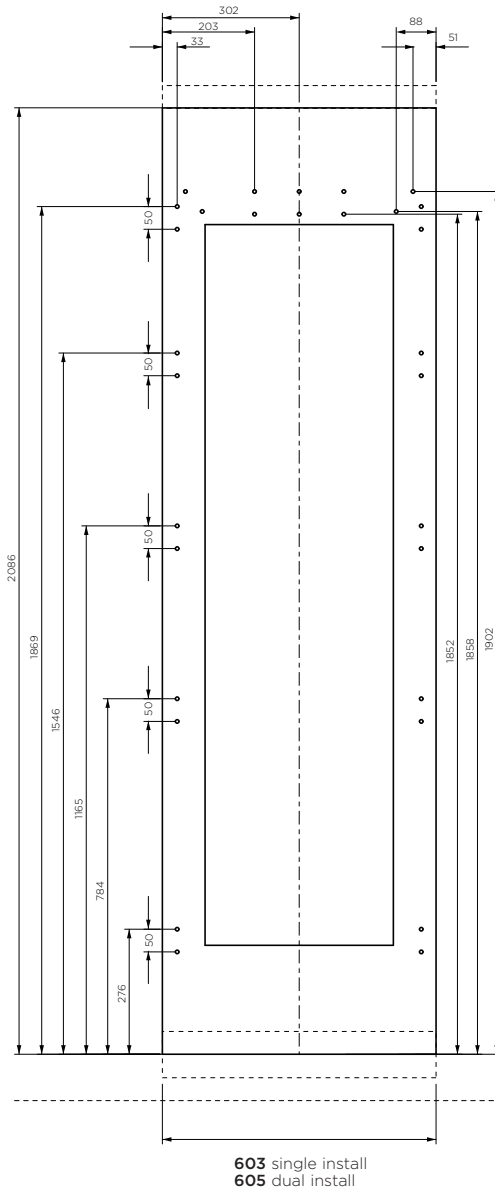
756 single install
758 dual install

76CM REFRIGERATOR OR FREEZER

- Toe kick height 152mm
- Toe kick height 102mm
- Toe kick height 51mm
- Floor

CUSTOM DOOR PANEL INSTALL DIMENSIONS

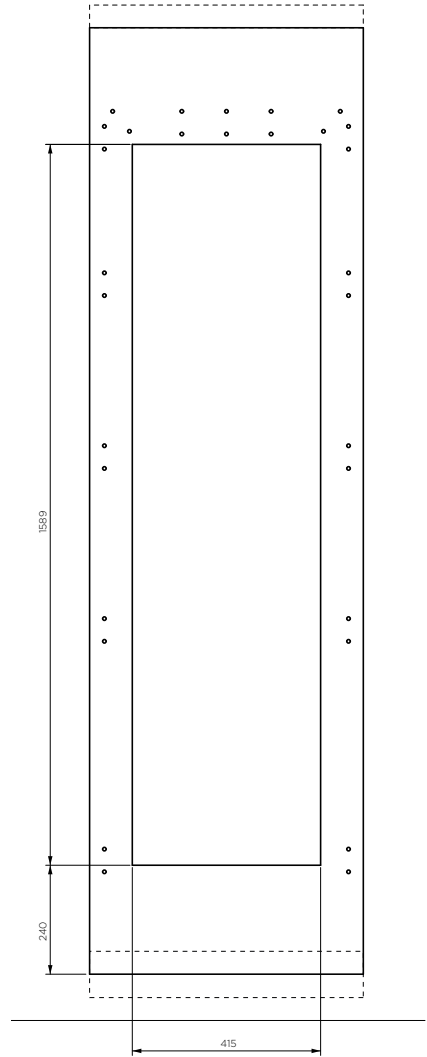
For Wine cabinet, the Custom door panel must leave the glass pane visible. A full custom panel sheathing over the glass pane does not meet the specifications of this appliance.



22x Pilot holes recommended for bracket attachment. (Do not penetrate front surface).

Do not place pilot holes for handle attachment in marked areas to avoid clashing with panel attachment brackets.

- Toe kick height 152mm
- Toe kick height 102mm
- Toe kick height 51mm
- Floor

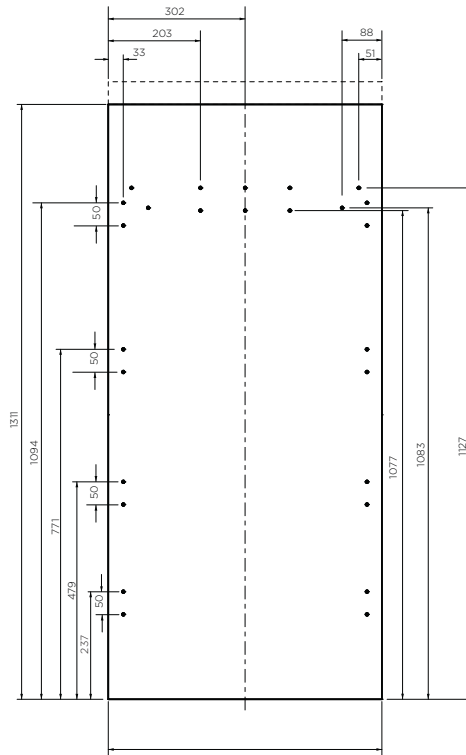


61CM WINE CABINET

CUSTOM DOOR PANEL INSTALL DIMENSIONS

Dimensions apply for the preparation and installation of Custom door panels. For Dwg and Dxf files of the below panel preparation download the folder on thekitchentools.fisherpaykel.com.

- The thickness of the custom door panel can vary provided that the screws do not penetrate beyond the full depth of the door panel.

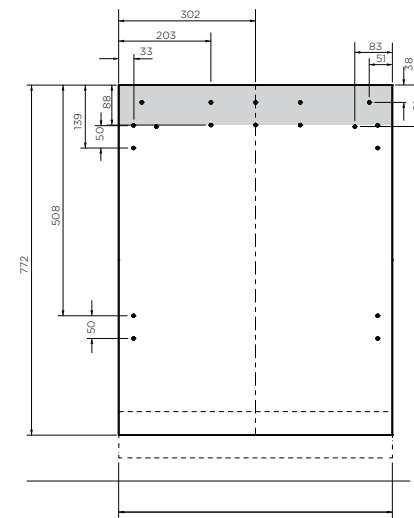


603 single install
605 dual install

10x Pilot holes recommended for bracket attachment. (Do not penetrate front surface).

Do not place pilot holes for handle attachment in marked areas to avoid clashing with panel attachment brackets.

**61CM REFRIGERATOR-FREEZER
TOP DOOR PANEL**



603 single install
605 dual install

Cutouts in the hanging bracket are applicable for Fisher and Paykel handles only.

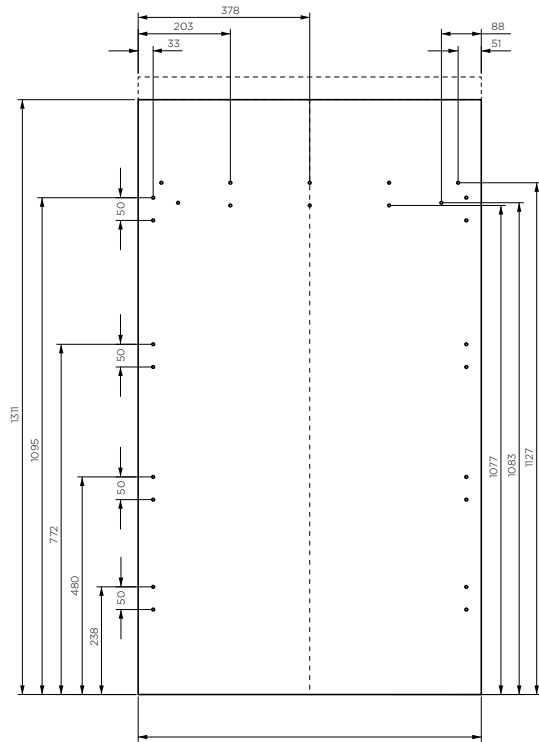
If locating a custom handle in the shaded area shown above, ensure handle screw heads are countersunk into the back of the door panel to avoid interference with the hanging bracket.

**61CM REFRIGERATOR-FREEZER
DRAWER PANEL**

CUSTOM DOOR PANEL INSTALL DIMENSIONS

Dimensions apply for the preparation and installation of Custom door panels. For Dwg and Dxf files of the below panel preparation download the folder on thekitchentools.fisherpaykel.com.

- The thickness of the custom door panel can vary provided that the screws do not penetrate beyond the full depth of the door panel.

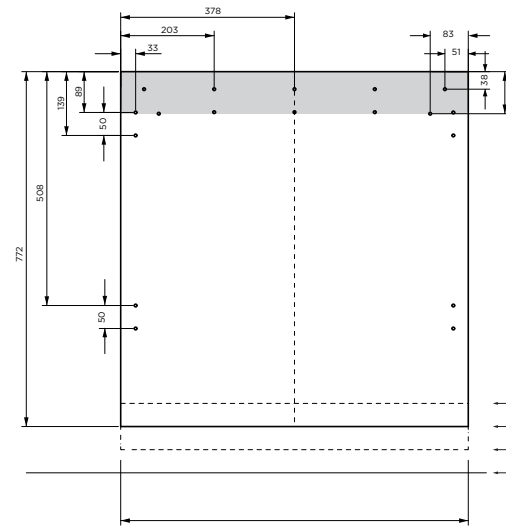


10x Pilot holes recommended for bracket attachment. (Do not penetrate front surface).

Ensure handle is mounted 65mm from edge of panel to the centre – this will avoid interference with bracket.

756 single install
758 dual install

**76CM REFRIGERATOR-FREEZER
TOP DOOR PANEL**



Cutouts in the hanging bracket are applicable for Fisher and Paykel handles only.

If locating a custom handle in the shaded area shown above, ensure handle screw heads are countersunk into the back of the door panel to avoid interference with the hanging bracket.

- Toe kick height 152mm
- Toe kick height 102mm
- Toe kick height 51mm
- Floor

756 single install
758 dual install

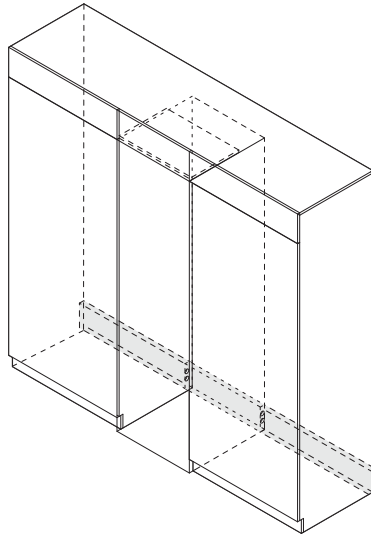
**76CM REFRIGERATOR-FREEZER
DRAWER PANEL**

BEFORE INSTALLATION

Checking your cabinetry

Check the dimensions of the cabinetry: height, width, depth, floor level, finished alcove returns. Refer to 'Cavity dimensions' for the correct measurements.

Check the recess depth between the Assisted Opening Accessory and the inside of door panel and allow a 2mm clearance between the inside of door panel and surrounding cabinetry.

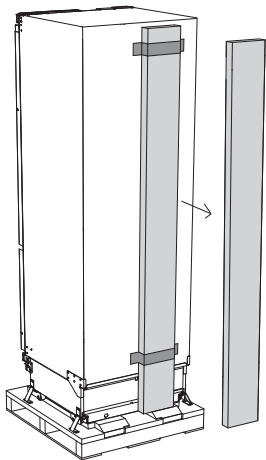


Check the power supply and water connections

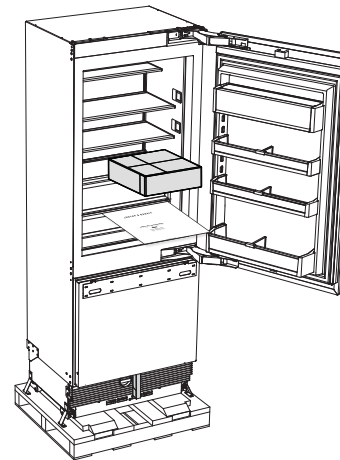
- Ensure that there is a separate power socket for each appliance.
- Ensure there is a power socket for each Assisted Opening Accessory.
- Avoid sharing the power point with other appliances to prevent accidental switching off of the appliance.
- For power requirements, refer to the information on the serial plate.
- Ensure your appliance is properly grounded.
- Connect your appliance to an electrical supply with the fitted plug and lead.
- If power connection is located behind the appliance, we recommend to install an isolating switch to a location that is easily accessible to the user for repair or disconnection.
- Follow local codes and ordinances when installing the appliance.

Checking your appliance

Unpack your appliance following the steps printed on the packaging box. Ensure your appliance is the correct model as your order. Ensure components and install kits are complete.

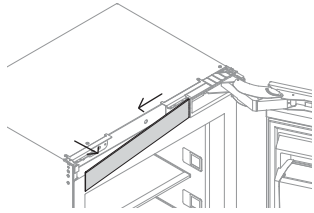


Remove the trims kit from the back of the appliance. Refer to 'Supplied parts' — Trims install kit for parts included in the box.



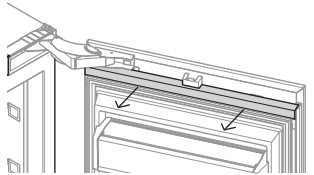
Remove the installation kit and miscellaneous items kit from inside the appliance.

Removing pre-installed parts



Top trim

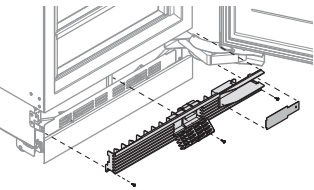
Disengage one end of the top trim from dual lock strips on the non-hinge side of the appliance. Slide the top trim out from the hinge pocket of the appliance.



Top door extrusion

Unclip the trim caps of the top extrusion carefully from both ends of the top of the door.

Ensure the magnet remains in place and not damaged as this will affect the operation of the appliance.



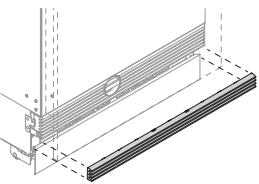
Top grille*

Open the door and remove hinge pocket cover using a flat head screwdriver in the slot.

Open the water filter hatch on the bottom grille and unscrew the #8x16 screw.

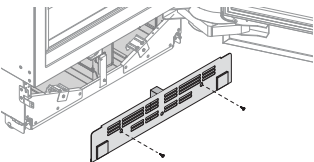
Remove the bottom grille by unscrewing the #8x16 screws from both ends of the grille.

*Top grille for Refrigerator-Freezer different from illustration.



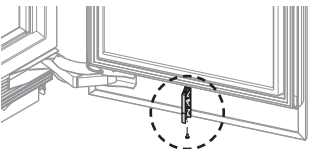
Bottom grille

The bottom grille is detachable via magnets.



Toe kick mounting plate

Remove the screws to detach the toe kick mounting plate.

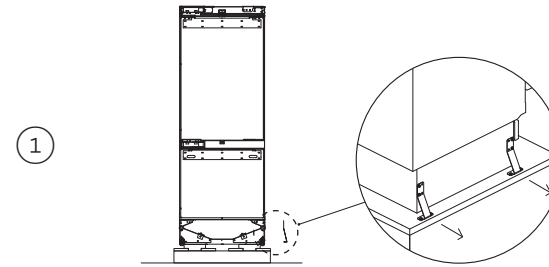


Air flow divider

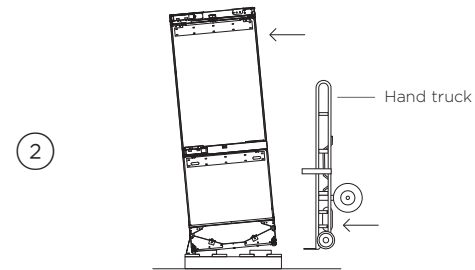
Remove the screw to detach the air flow divider. Set aside all the removed parts to reuse later.

Moving your appliance

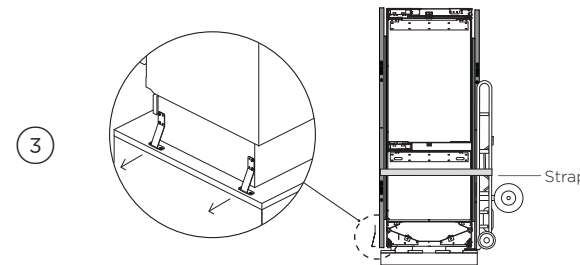
Be careful when tilting the appliance forward/backward. Tape the door shut to prevent opening while moving the appliance. You need at least two persons to move this appliance.



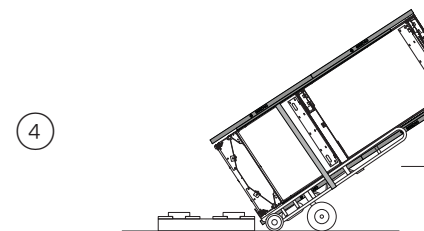
Remove the brackets from the non-hinge side of the pallet.



Tilt the appliance slightly forward and insert the hand truck between pallet and appliance.



Restrain the appliance with strap and remove the remaining brackets. Use corner posts while strapping to avoid pinching of side trims.

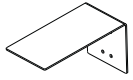


Tilt backward to load the appliance onto the hand truck and set aside the pallet.

Push the hand truck to the installation location.

CAVITY PREPARATION

Anti-tip bracket assembly kit



Anti-tip bracket (1x)

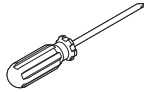


Masonry plug (4x)

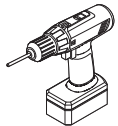


#10x40 cross-head screw (4x)

Tools



Cross-head screwdriver

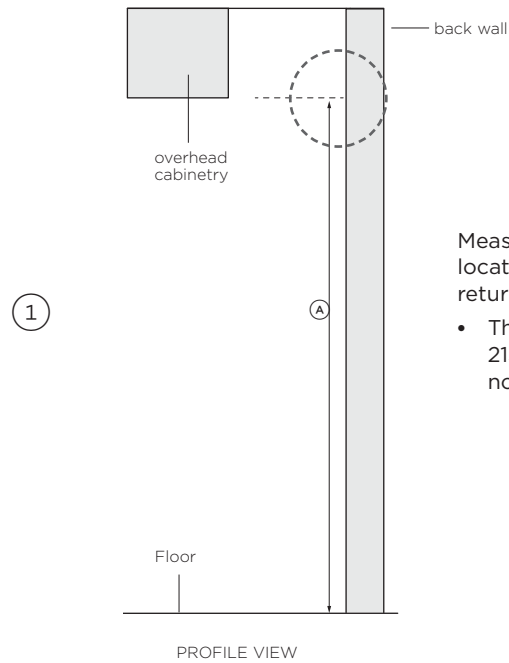


Powered drill



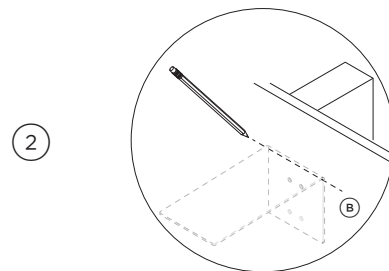
Pencil

Attaching the anti-tip bracket



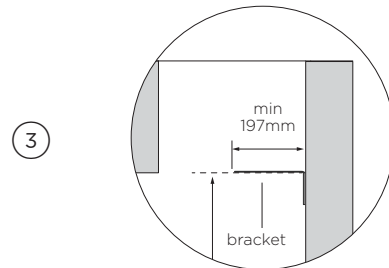
Measure the height (**A**) of the attachment location from the floor to the alcove return.

- The height (**A**) must not exceed 2138mm to ensure the appliance does not tip over during installation.



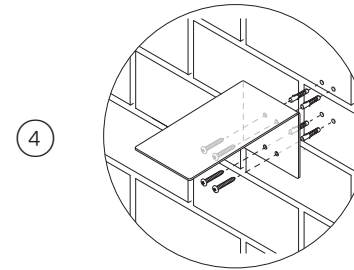
Mark a horizontal line (**B**) at the back wall.

- Located 2138mm from floor
- Ensure there is a stud behind the wall.



Place the bracket to the backwall. Align the undersurface of the bracket along the marked line.

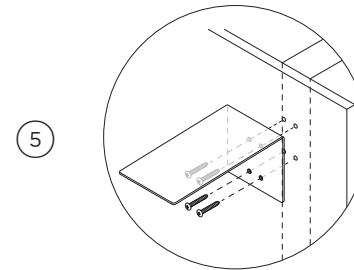
Mark screw hole locations, and drill screw holes with powered drill.



For solid wall installation

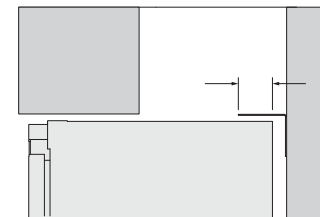
Drill holes suitable to the size of the masonry plugs.

Hammer 10x30mm masonry plugs into wall until flush. Fix bracket to wall with #10x40mm cross head screws, and screw tightly.



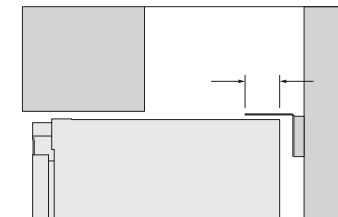
For plaster board wall

Fix the anti-tip bracket to the wall with #10x40mm cross head screws, and screw tightly with a screwdriver.



When rolling the appliance into the cabinetry, ensure the anti-tip bracket overlaps the back edge of the appliance.

- The bracket must overlap the appliance by a minimum 180mm for a secure hold.



If minimum 180mm overlap cannot be achieved, install a solid spacer to the wall stud behind the bracket.

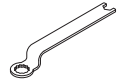
- Be careful not to run over the power cord when rolling in the appliance.

Illustrations may differ from your purchased appliance.

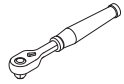
Tools



M8 hex key

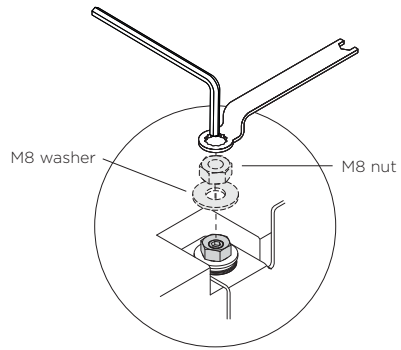


13mm spanner

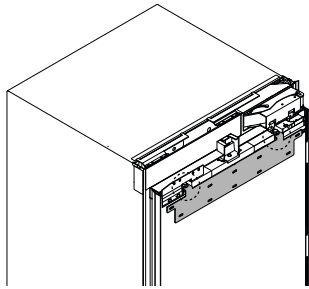


13mm socket wrench

Removing the hanging brackets

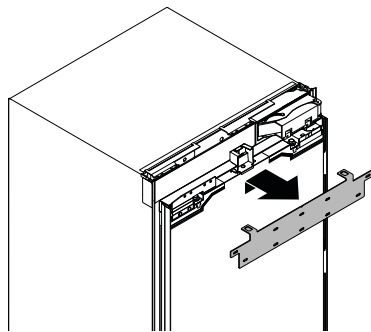


①



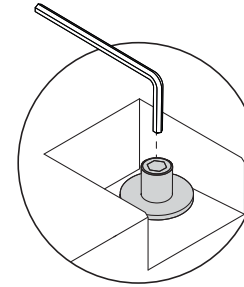
Remove the M8 nut and M8 washer from the M8 screw at the top of the door using the supplied hex key and spanner.

②

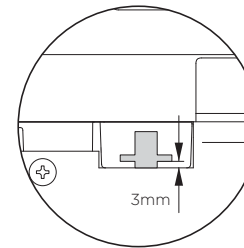


Remove the hanging bracket and set aside to use later.

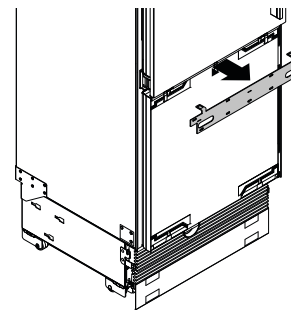
③



Loosen the M8 screws by 3mm.

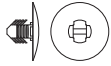


④

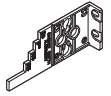


For Refrigerator-Freezer:
Repeat steps ①-③ to remove the bracket of the drawer. Use a socket wrench to loosen the M8 nut.

Install fasteners kit

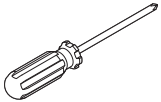


Barbed plugs (2x)



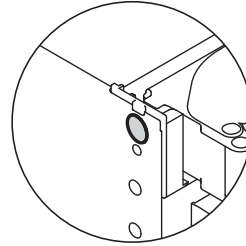
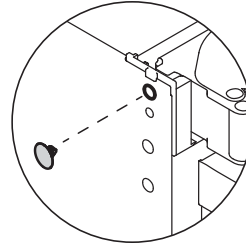
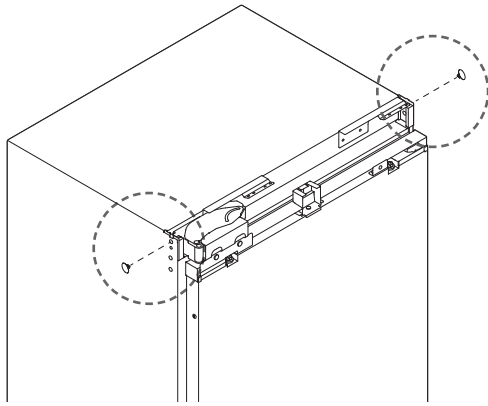
Cabinet depth alignment gauge (4x)

Tools



Cross-head screwdriver

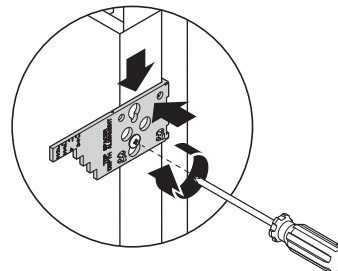
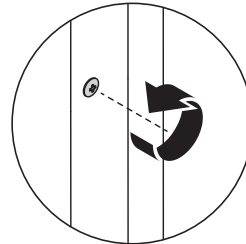
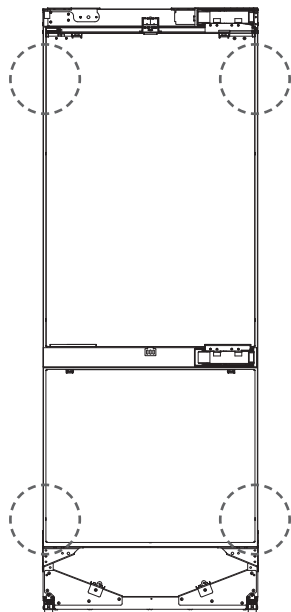
Attaching the barbed plugs



Before rolling into the cavity, insert a barbed plug into the large holes at the top right and left sides of the appliance.

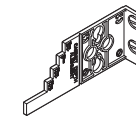
The plugs protect the inside surface of cabinetry from being damaged by screws when pushing in the appliance.

Attaching the depth alignment gauges

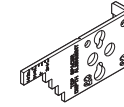


Loosen the right and left screws at the top and bottom sides of the door.

Locate the alignment gauges at correct orientation to the right and left screws.



Left



Right

Place the alignment gauge by inserting the screw head through the keyhole of the gauge.

Push the alignment gauge down to lock the position.

Tighten the screw just enough to firmly hold the gauge.

- The alignment gauges are only temporary and must be removed after installation.

For multiple product installation information, refer to page 54.

DOOR PANEL PREPARATION – CUSTOM PANEL

Door handle kit



M5x25 hex screw
(4x)

Door panel attachment kit



Side bracket
(12x)



Bracket slider
(12x)

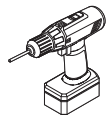


Bracket spacer
(12x)



M5x12 cross-head
screw (44x)

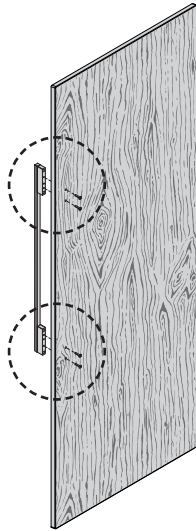
Tools



Powered driver

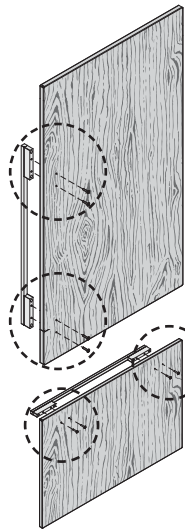
Attaching the handle

Refer to 'Custom Door panel dimensions' for correct screw hole positions on the door panel.



For Refrigerator/Freezer/Wine cabinet

Secure the door handle to the handle holes of door panel with M5x25 hex screw.



For Refrigerator-Freezer

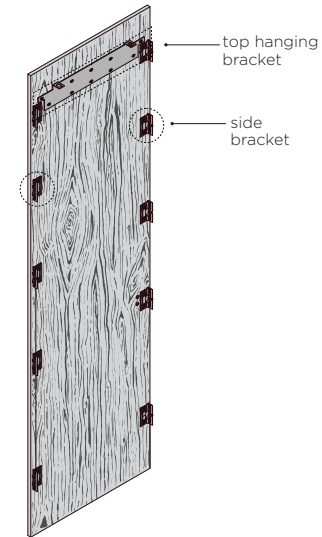
Secure the handle to the handle holes of the top door panel with M5x25 hex screw.

Secure the handle to the handle holes of the drawer door panel with M5x25 hex screw.

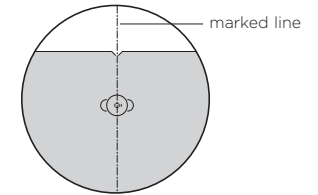
Ensure the door and drawer handles do not interfere when attaching the side attachment brackets.

Attaching the brackets

Refer to 'Custom Door panel dimensions' for correct screw hole positions on the door panel.



top hanging
bracket
side
bracket

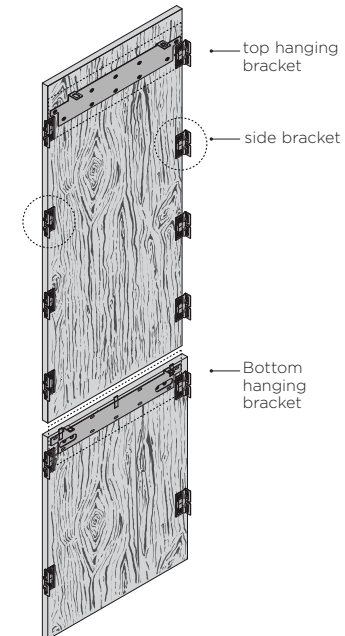


For all models

Mark a line across the centre of the custom door panel.

Align the 'V' notch at the top of the bracket to the centreline.

Secure the top hanging bracket to the screw holes of the refrigerator custom door panel with M5x12 cross-head screws.



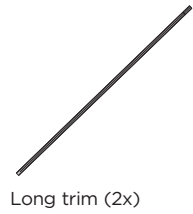
top hanging
bracket
side bracket
Bottom
hanging
bracket

For Refrigerator-Freezer

Secure the bottom hanging bracket to the screw holes of the drawer door panel with M5x12 cross-head screws.

DOOR PANEL PREPARATION – WINE CABINET ONLY

Installation kit

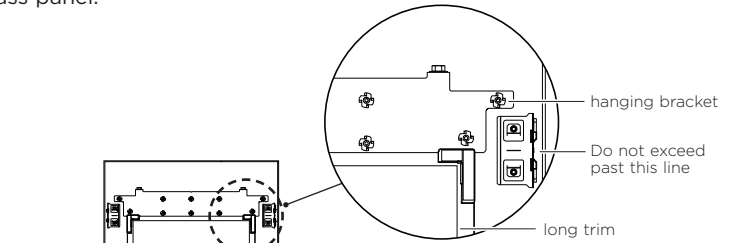
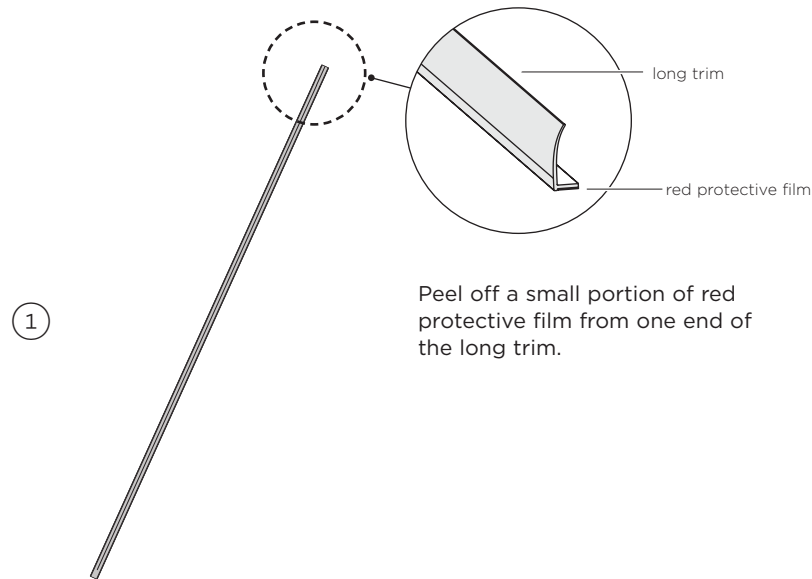


Tools



Attaching the long glass trims

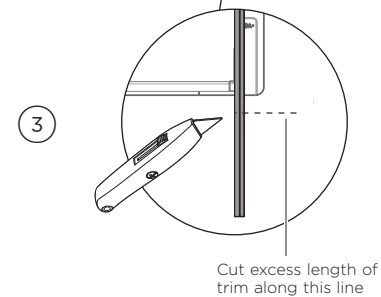
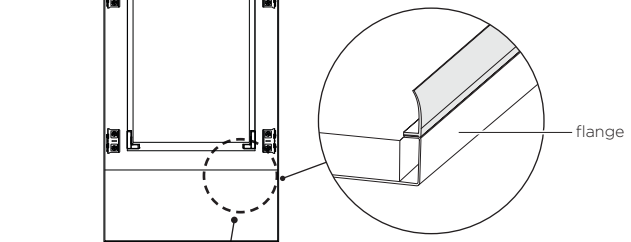
Glass trims are attached to cover the gap between the Stainless steel door panel and glass panel.



Attach the peeled portion of the trim starting from the top of the door panel cutout.

- Ensure the trim does not overlap the hanging bracket.

Align the trim flush with inside edge of the flange.



Continue attaching the long trim for the length of the door panel cutout, peeling off the film as you go.

Cut-off the excess length of the bottom end of the long trim.

Repeat all steps on the other side of door panel cutout.

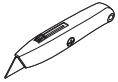
DOOR PANEL PREPARATION – WINE CABINET ONLY

Installation kit



Short trim (2x)

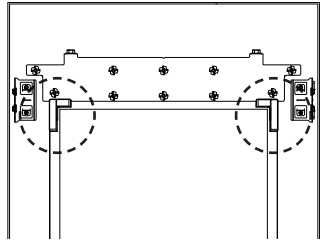
Tools



Cutter

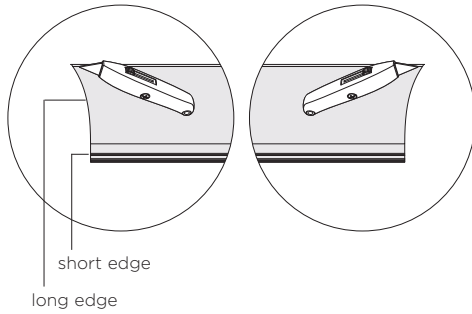
Attaching the short glass trims

1



Place the short trim along the length of the top of door panel cutout across the top ends of the long trims. **(A)**

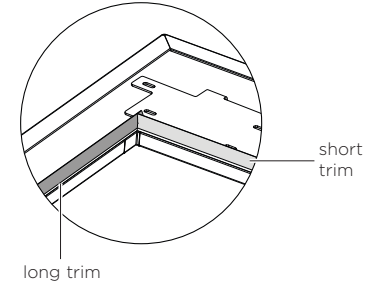
2



Cut both ends of the short trim to length.

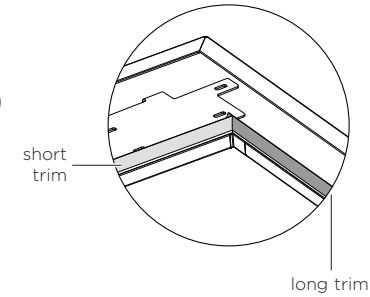
Peel off a small portion of red protective film from the short edge.

3



Attach the peeled portion starting from one end of flange perpendicular to top end of long trim.

4



Continue attaching the short trim for the length of the top of door panel cutout, peeling off the film as you go.

Ensure the trim is aligned flush to inside edge of flange.

Attach the remaining peeled portion of short trim to the flange perpendicular to top end of the other long trim.

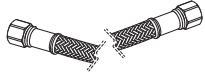
Repeat steps 1-4 to the bottom of door panel cutout.

WATER SUPPLY CONNECTION

Water fittings kit



Collet locking clip (1x)



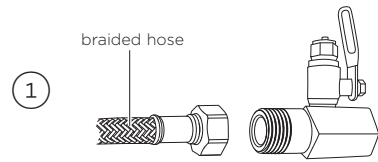
1/2 BSP Stainless steel braided hose with 7/16-24 UNS thread (1x)



16mm Adaptor (2x)

Connecting to water supply

Ensure the door of the appliance is closed before rolling into the cabinetry. Push the appliance carefully towards the front of the cabinetry close enough to allow access at the back for power and water connection. Ensure an isolating tap is available if water supply is not easily accessible.

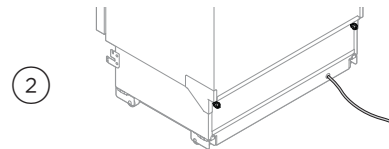


1

braided hose

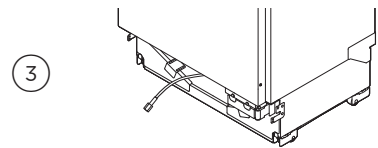
Connect one end of a braided water hose to the water tap.

Flush water through the hose prior to connection to the appliance to remove any debris in the hose.



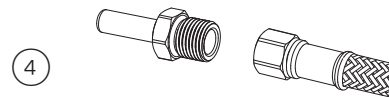
2

Insert the other end of the braided hose through a hole at the rear of the plinth and push all the way to the front of the appliance.



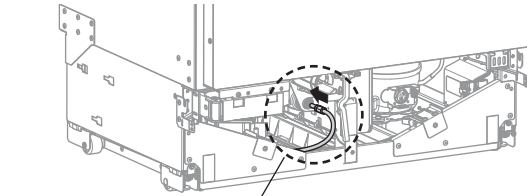
3

Pull the hose to the front of the appliance.



4

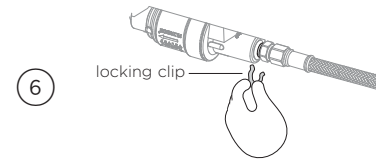
Connect an 6mm adaptor to the braided hose.



5

PLV

Insert the tube end of the adaptor fully into the PLV at the bottom front of the appliance.



6

locking clip

Secure the connection with a locking clip between the PLV and hose end of the adaptor.

POWER SUPPLY CONNECTION

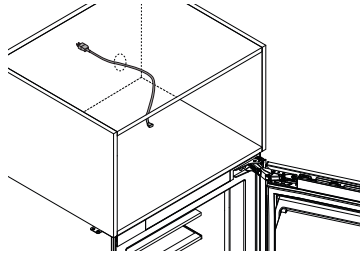
Assisted Opening Accessory Kit



Power cord (1)

Refrigerator / Freezer / Wine Cabinet models

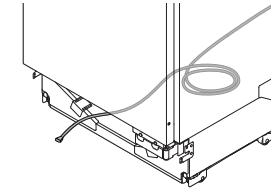
①



Run cable along top of cabinetry.

Refrigerator freezer models

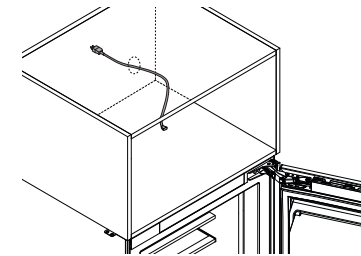
①



Bottom drawer

Route the Assisted Opening Accessory power cord from rear of the product through to the front corner. Once slack has been removed, connect the power cord to the Assisted Opening Accessory unit.

①

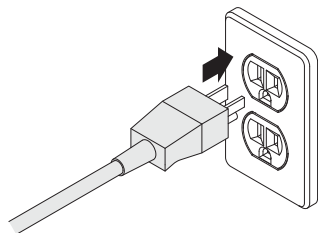


Top door

Run cable along top of cabinetry.

Connect product and accessory to power supply

Refrigerator / Freezer / Wine Cabinet models and Refrigerator freezer models



At the back of your appliance, connect the power plug to the power outlet (220-240V, 60Hz).

- You will hear a chime sound when the appliance is powered on.

When powered on for the first time, your appliance will default to Install mode.

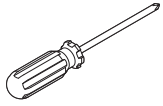


Once installation is complete, unlock the control panel and hold **Compartment** button for four seconds to start cooling.

- Refer to your 'User guide' for more information on activating your appliance.

SINGLE INSTALLATION — ALIGN APPLIANCE INTO CABINETY

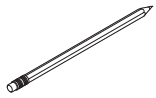
Tools



Cross-head screwdriver



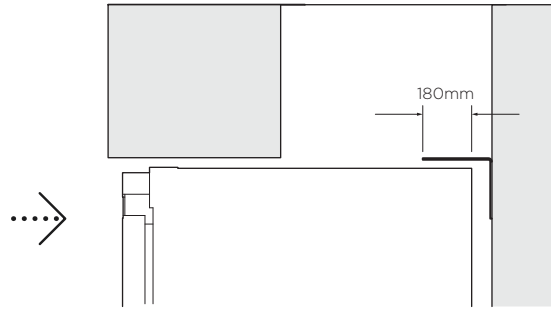
Ruler



Pencil

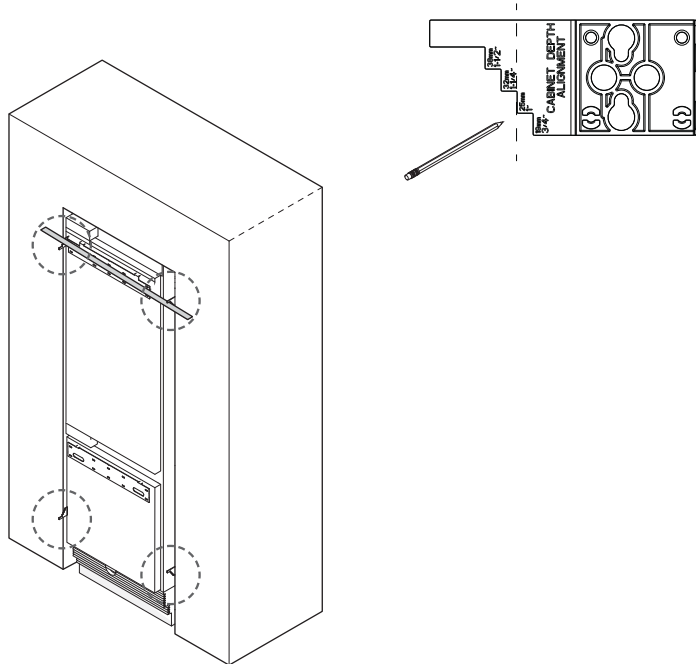
For multiple product installation information, refer to page 54.

Pushing into the cabinetry



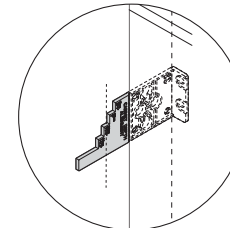
Roll the appliance carefully into the cabinetry until the anti-tip bracket overlaps the back edge of the appliance.

- Ensure the bracket overlaps the appliance by a minimum 180mm for a secure hold.
- Be careful not to run over the water hose and power cord when rolling in the appliance.

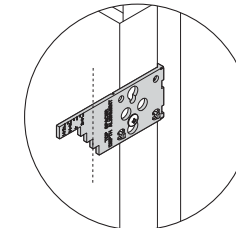


On the 'Cabinet depth alignment' side of the depth gauges, mark the step on both sides of the door based on the thickness of the door panel.

- Example illustration show the door panel thickness 25.4mm marked on the gauges.

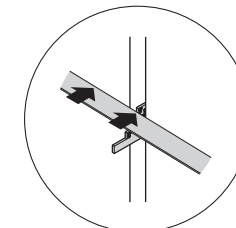
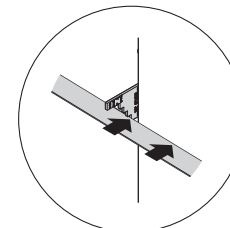


Left



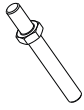
Right

Check if the gaps between appliance and cabinetry side walls are even on left and right sides.

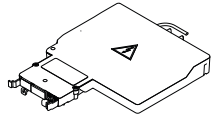


INSTALL LOWER ASSISTED OPENING ACCESSORY (REFRIGERATOR FREEZER MODELS ONLY)

Assisted Opening Accessory Kit



Stud bolts (3)

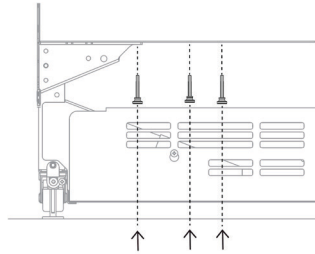


Assisted opening accessory



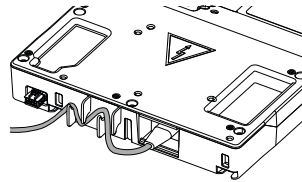
M5 nuts (3)

1



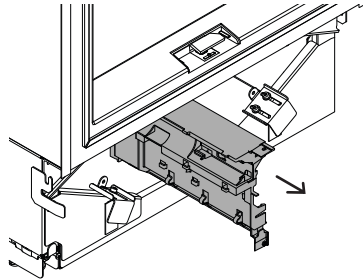
Install 3 stud bolts into the plinth as shown.

2



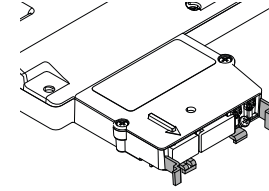
Connect power cord to accessory before routing the power cord through strain relief bracket.

3



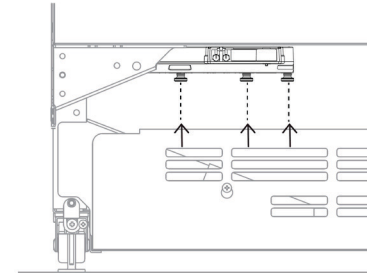
24" models only
Removed 2 x screws from the front of the flow divider and set aside. Push flow divider across.

4



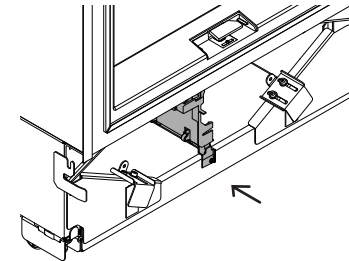
Snap the lower and side tabs to remove.

5



Slot the accessory to the stud bolts. Secure using 3 x M5 nuts and remove any excess slack in the power cord.

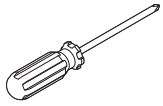
6



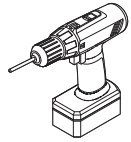
24" models only
Push flow divider back into place and refit the screws.

INSTALL STIKER PLATE

Tools

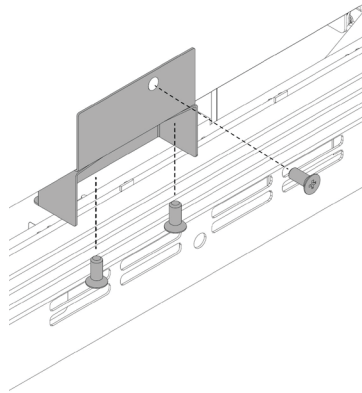


Cross-head screwdriver



Powered driver (optional)

①

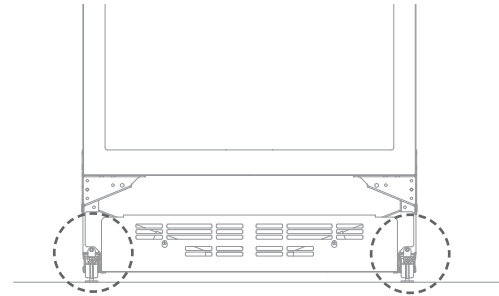


Refrigerator-Freezer models only:

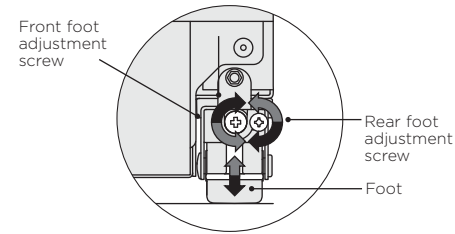
Open the drawer and fit the accessory drawer bracket. Secure using 3 screws.

SINGLE INSTALLATION — ALIGN APPLIANCE INTO CABINETY

Adjusting the alignment in the cabinetry



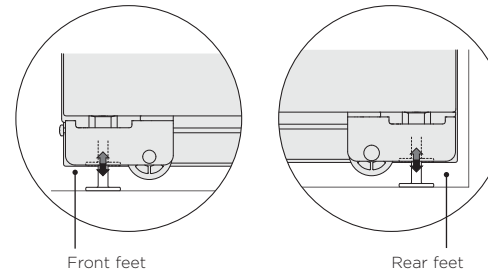
①



Clockwise turn of the front and rear adjustment screws raise the height of the appliance.

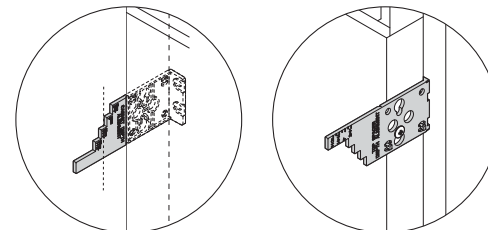
Counter-clockwise turn of the adjustment screws lower the height of the appliance.

②



Turn the front and rear adjustment screws clockwise to extend the front feet and rear feet until they engage the floor and the top bracket reaches the cabinetry ceiling.

③



Check the depth gauges while adjusting the screws to maintain alignment of the appliance.

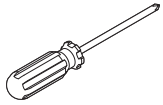
SINGLE INSTALLATION – SECURE APPLIANCE INTO CABINERY

Install fasteners kit

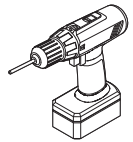


8Gx16 Countersunk screw (6x)

Tools

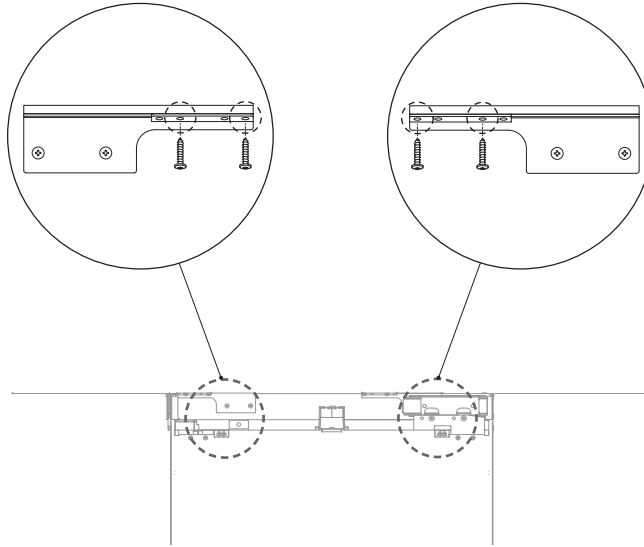


Cross-head screwdriver



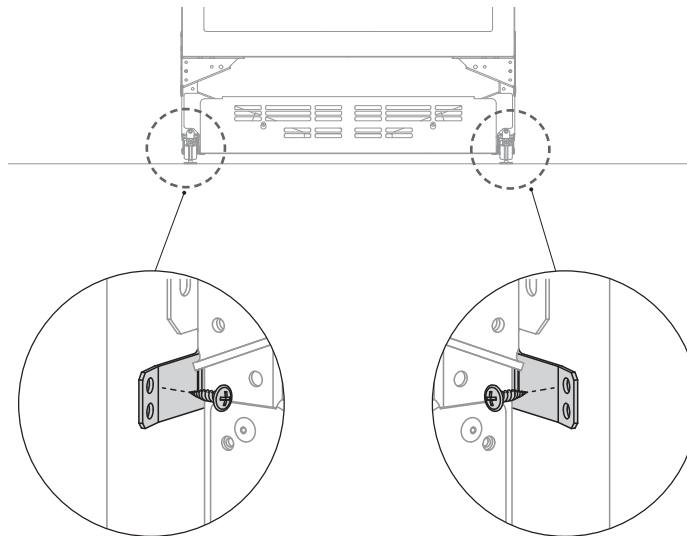
Powered driver (optional)

Securing the top brackets



Fix the top brackets to the ceiling surface of the cabinetry with 8Gx16 countersunk screws.

Securing the side brackets

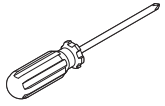


Fix the side brackets (2x) to the lower right and left sides of the cabinetry with 8Gx16 countersunk screws.

Once the appliance is secured to the cabinetry, remove the alignment gauges and re-tighten the side screws.

DOOR PANEL INSTALLATION

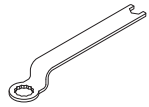
Tools



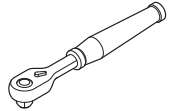
Cross-head screwdriver



M4 hex key (1x)



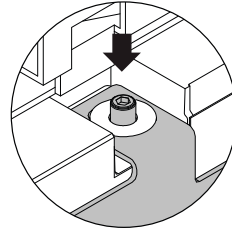
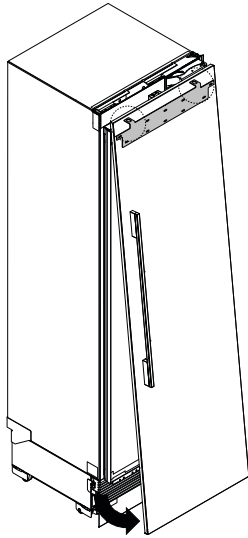
13mm spanner (1x)



13mm socket wrench

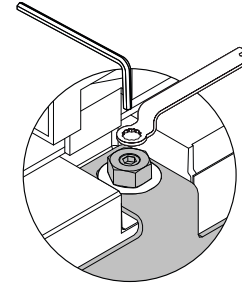
Hanging the door panel

①



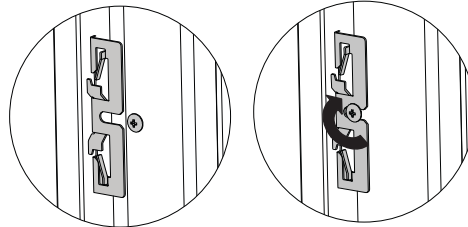
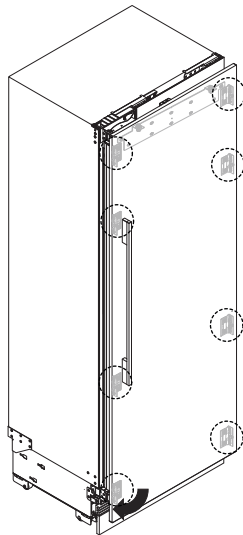
Hold the door panel at an angle from the top of the door and lower the screw holes of the hanging bracket onto the adjustment screws. .

③

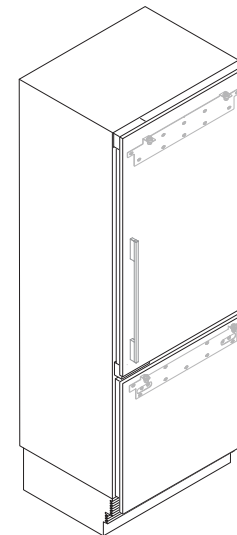


Screw the M8 washer and nut to the adjustment screw and loosely tighten.

②



Align the door panel straight with the door and slide-in the side brackets to the side screws of the door,
Tighten the side screws loosely to temporarily secure the door panel.



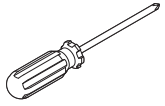
For Refrigerator-Freezer

Repeat steps ① - ③ for the top door and drawer panels.

Use a 13mm socket wrench to tighten or loosen the M8 nut in the drawer panel.

DOOR PANEL INSTALLATION

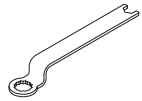
Tools



Cross-head screwdriver



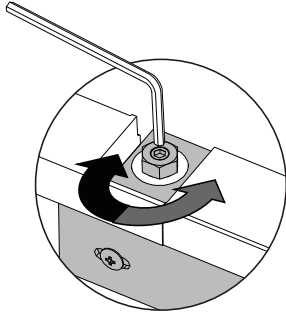
M4 hex key (1)



13mm spanner (1x)

Adjusting the height of door the panel

Ensure the side brackets are loosely screwed when adjusting the height of the door panel. Do not adjust the door panel height when the side brackets are screwed tight. This can generate friction which causes the hanging brackets to bend.

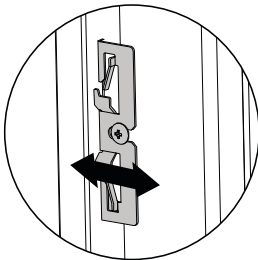


Turn the adjustment screw to raise or lower the height of the door panel relative to the door.

Continue adjustment until gap with cabinetry is more than 3mm.

- Do not adjust the adjustment screw higher than 1/4" (6.5mm) from its fully down position.

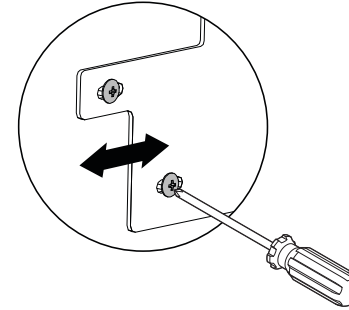
Adjust the depth of door panel



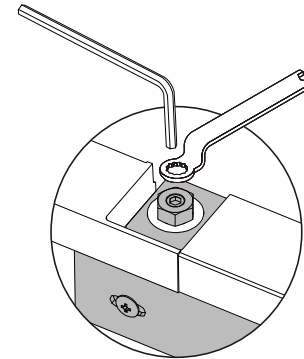
Loosen side screws on the side brackets, and slide door panel forward/backward.

Re-tighten once satisfied.

Adjusting the width of the door panel



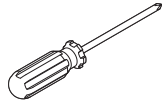
To adjust the door panel further, loosen the M8 washer and nut and slide the door panel to suit. If further adjustment is still required, remove the door panel then loosen the fixing screws of the hanging bracket and move bracket sideways to suit.



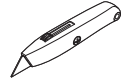
Once satisfied with door panel position, fully tighten M8 washer and nut to adjustment screw.

DOOR PANEL INSTALLATION

Tools



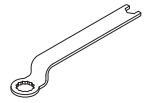
Cross-head screwdriver



Cutter

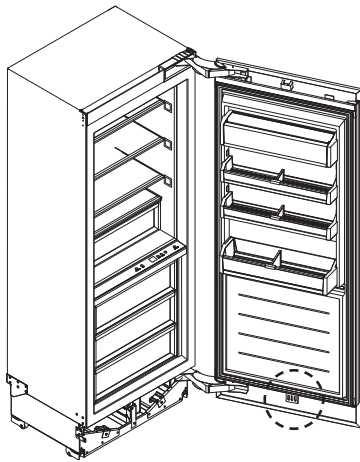


M4 hex key (1x)

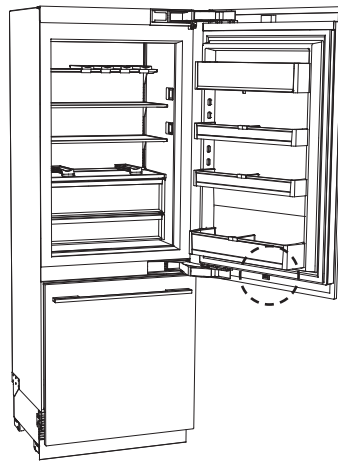


13mm spanner (1x)

Installing locking bracket

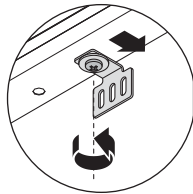


REFRIGERATOR OR FREEZER / WINE CABINET



REFRIGERATOR-FREEZER

①

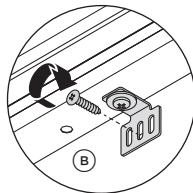


Loosen the screw at the bottom of the door, and slide the locking bracket out until it touches the panel.

Refrigerator-Freezer

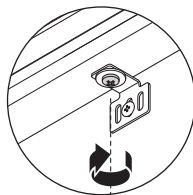
The locking bracket is located at the bottom of the top door panel.

②



Fix the locking bracket to the door panel with 8Gx16 countersunk screw.

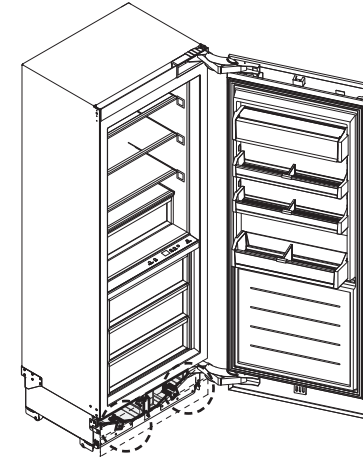
③



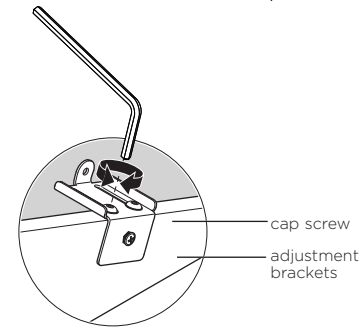
Re-tighten the screw at the bottom of the door.

TOE KICK INSTALLATION

Adjusting mounting plate brackets



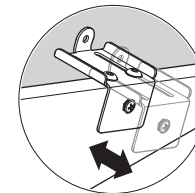
①



cap screw
adjustment brackets

Loosen the cap screws of the adjustment brackets on both sides of the plinth with a hex key.

②



Adjust the brackets to the desired depth by moving it forward/backward.

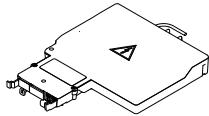
Re-tighten the cap screws once satisfied.

INSTALL UPPER ASSISTED OPENING ACCESSORY

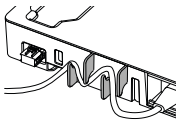
Assisted Opening Accessory Kit



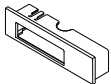
Shoulder screw (2)



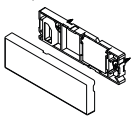
Assisted opening accessory



Strain relief jacket

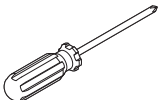


Lens cover



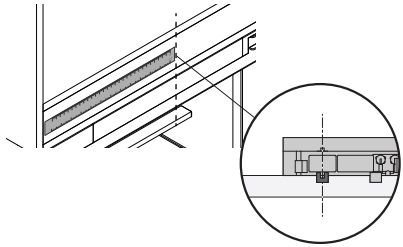
Striker plate

Tools



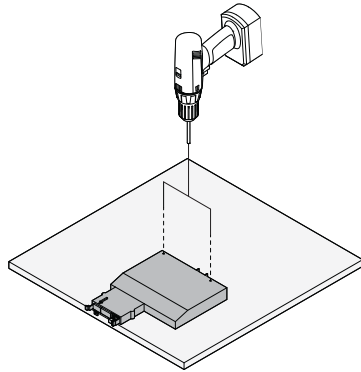
Phillips screwdriver

①



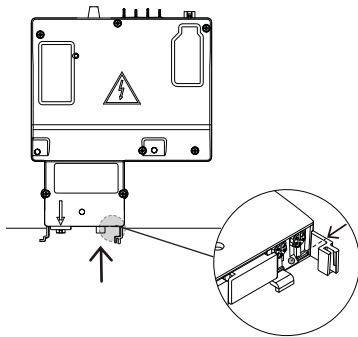
Measure and mark the centre of the fixed shelf. Align the accessory and use to mark the position of the rear shoulder screws.

②



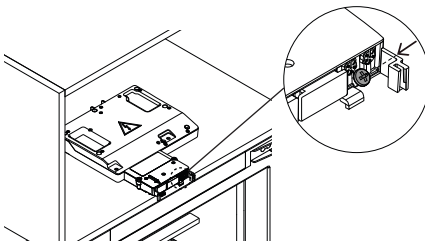
Using the accessory as a guide, pre-drill 2 x Ø3mm rear pilot holes. Remove accessory before securing 2 x shoulder screws through pilot holes.

③



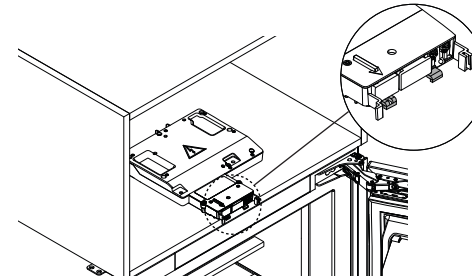
Slot the accessory onto the shoulder screws. Pre-drill pilot hole at a 45° angle using the accessory as a guide.

④



fit the front screw through the pilot hole using a Phillips screwdriver. Adjust settings if required.

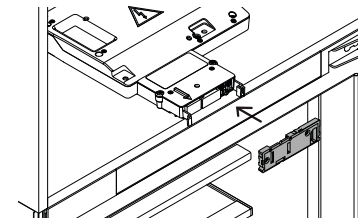
⑤



Remove the locating tabs.

Connect power cord to accessory before routing the power cord through strain relief bracket.

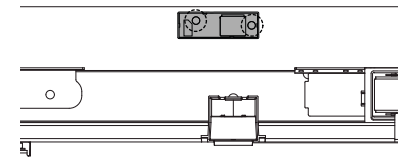
⑥



Remove the adhesive from the striker plate and clip onto the accessory.

Ensure the V notch on the striker plate aligns with arrow on the accessory.

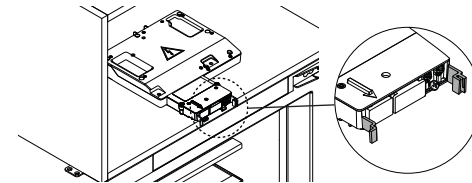
⑦



Close the door and apply pressure to secure. Open the door and fit 2 x screws to the striker plate.

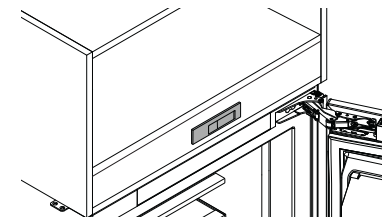
Clip striker plate cover into place.

⑧



Remove the locating tabs.

⑨



Fit accessory cabinetry housing and slot lens cover in place.

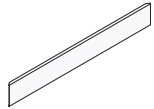
TOE KICK INSTALLATION

Miscellaneous components



Air toe kick seal (1x)

Toe kick install kit



Toe kick panel (1x)

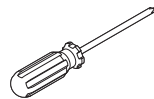


Magnets (4x)



8Gx16 Mush washer screws (4x)

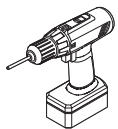
Tools



Cross-head screwdriver

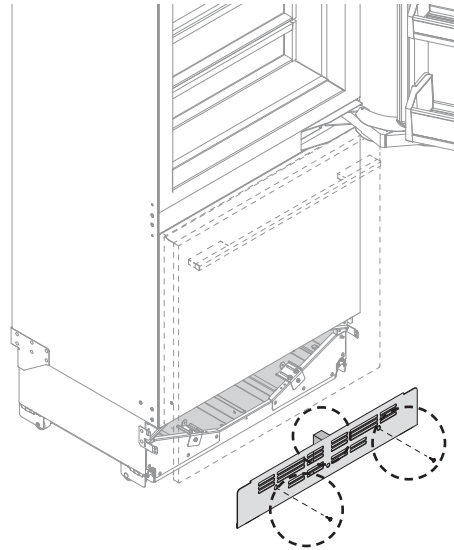


M4 hex key (1x)

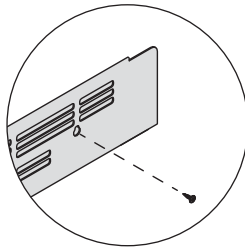


Powered driver

Attaching the mounting plate

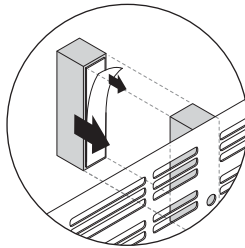


1



Re-attach the toe kick mounting plate to the plinth using same screws that were set aside previously.

2



If toe kick depth is less than 92mm, attach an air toe kick seal to the mounting plate.

Peel off the adhesive tape of air toe kick seal and attach to the middle of the back side of the mounting plate.

Press firmly to ensure the tape adheres to the mounting plate.

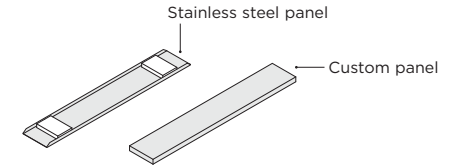
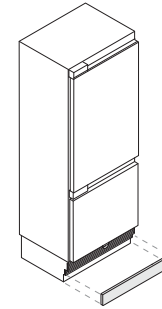
Stainless steel toe kick

Purchased separately. Visit fisherpaykel.com for information.

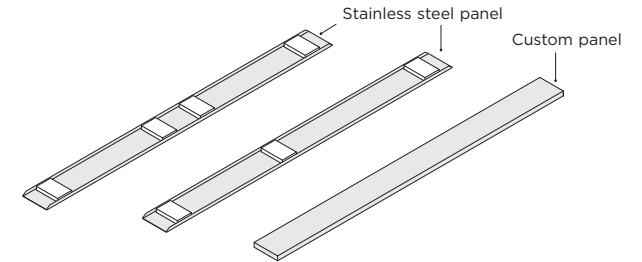
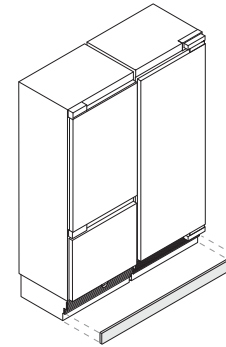
Custom toe kick

Supplied by customer to match cabinetry.

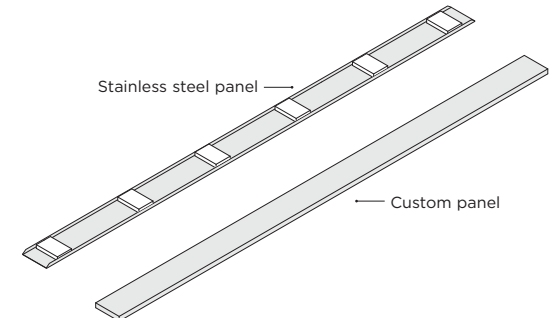
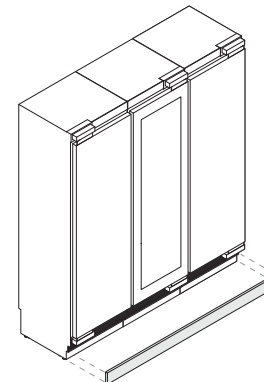
Single installation



Dual installation

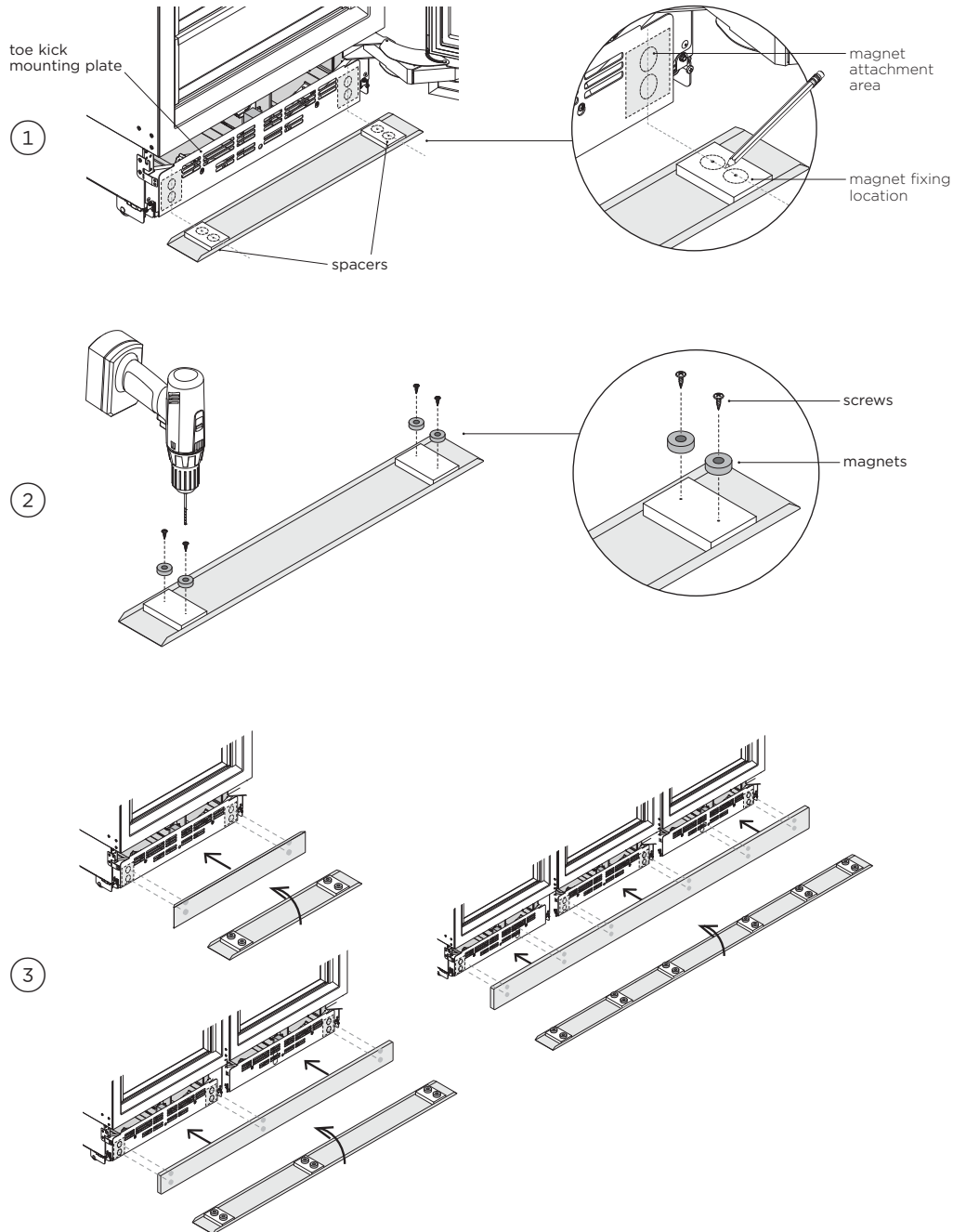


Triple installation

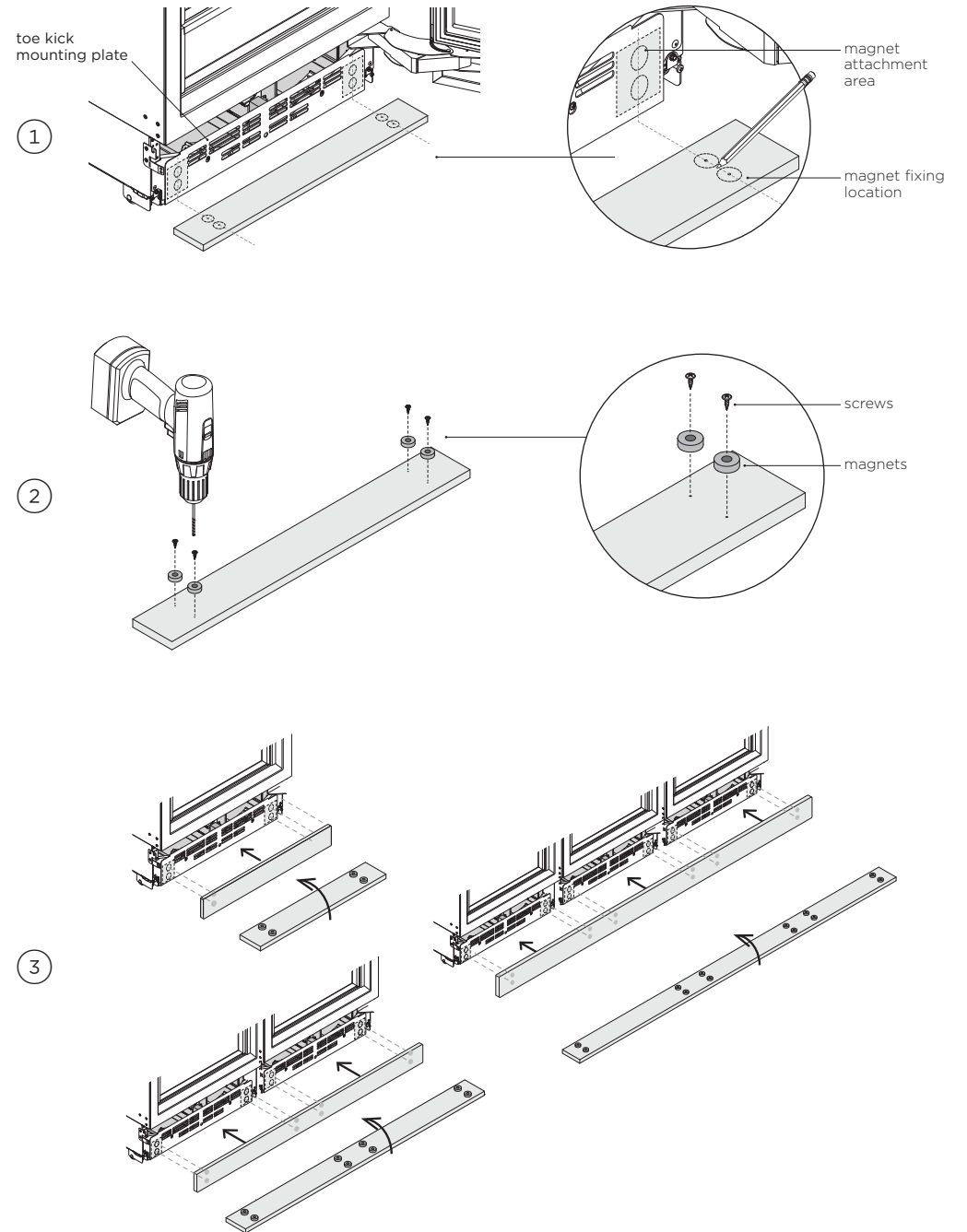


TOE KICK INSTALLATION

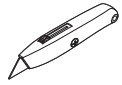
STAINLESS STEEL TOE KICK



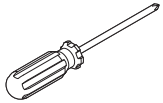
CUSTOM TOE KICK



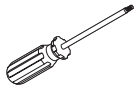
Tools



Cutter



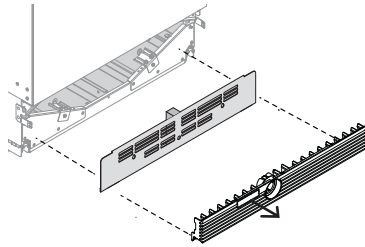
Cross-head screwdriver



T20 star-head screwdriver

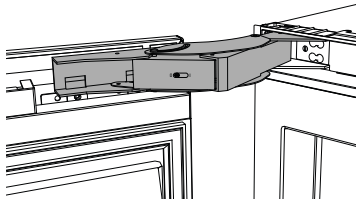
PREPARE GRILLE

①



Remove the section of the grille as shown.

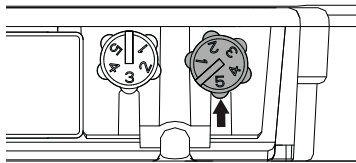
②



18" models only

Using a T20 bit, adjust the screw in the centre of the top hinge until it reaches the 0 position.

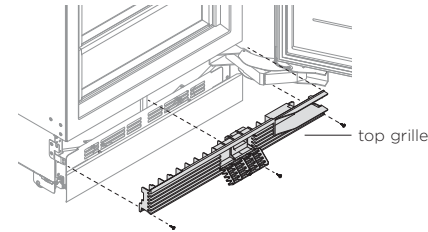
③



Adjust the accessory settings. Refer to page 62 for details.

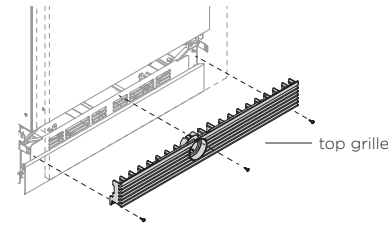
ATTACHING THE GRILLES

Attaching the top grille



**Refrigerator or Freezer/
Wine Cabinet**

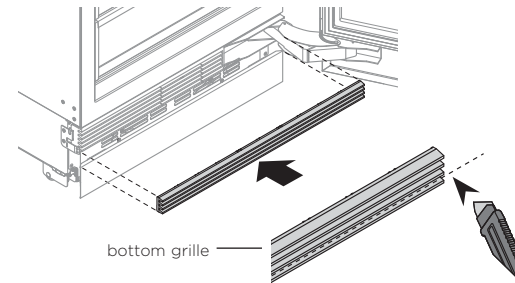
Open the door, and secure both ends of the grille and behind the water filter hatch with #8x16 screws.



Refrigerator-Freezer

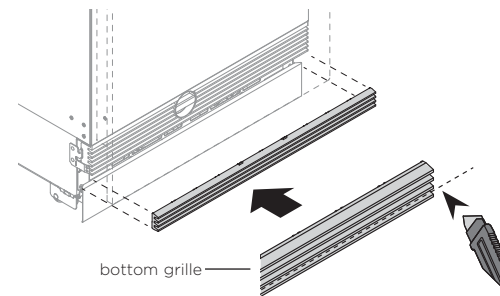
Reattach the top grille with #8x16 screws.

Attaching the bottom grille



**Refrigerator or Freezer/
Wine Cabinet**

Re-attach the bottom grille via magnets.



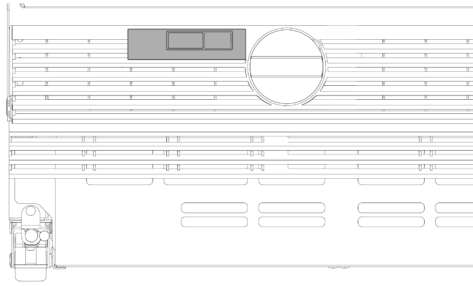
Refrigerator-Freezer

Re-attach the bottom grille via magnets.

For toe kick heights 114 - 127mm, shorten the bottom grille by cutting along the vertical ribs.

FIT LOWER ASSISTED OPENING ACCESSORY COVER

1

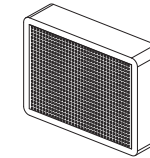


Slot the cover into place.

CARBON FILTER INSTALLATION

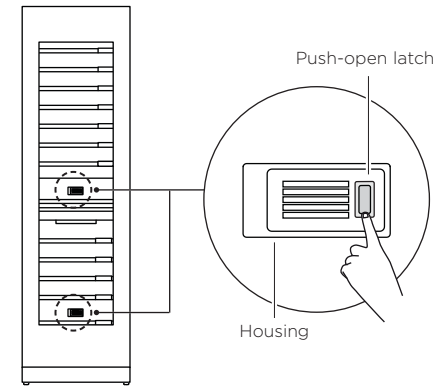
The carbon filter is used for Wine Cabinet models only, Ensure the cover is completely closed to prevent hatch or filter from being damaged. Replacement filters (862755) can be purchased online from fisherpaykel.com or by calling Fisher & Paykel Customer Care.

1



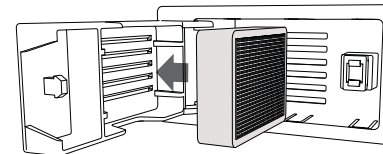
Remove the packaging of the filter.

2



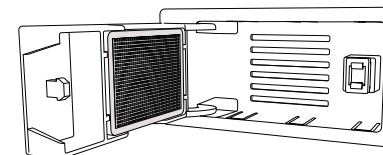
Open the cover of filter housing by pushing the latch.

3



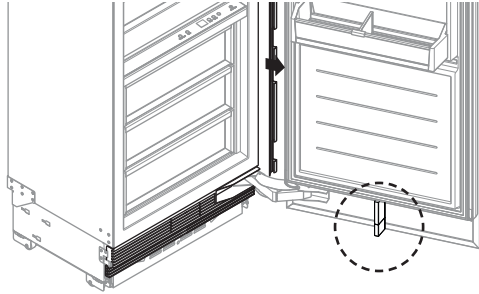
Insert the carbon filter in the hatch.

4

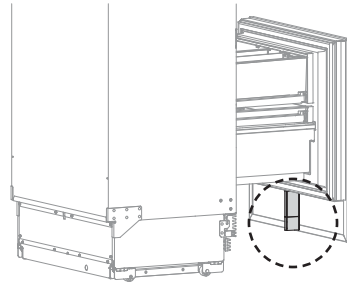


Push the filter gently into the hatch until flush, and then close the cover until it locks to the latch.

AIR FLOW DIVIDER INSTALLATION



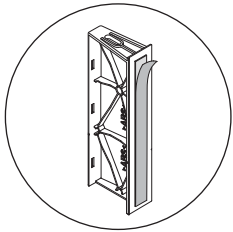
REFRIGERATOR & FREEZER / WINE CABINET



REFRIGERATOR—FREEZER

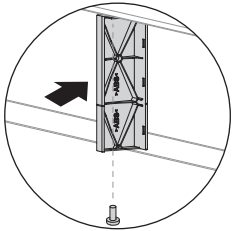
The air flow divider blocks the air flow from bypassing the front of the bottom grille.

1



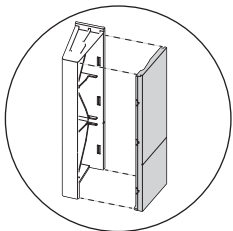
Remove the adhesive layer off the air flow divider.

2



Press the flow divider firmly against the bottom of the door/drawer panel.
Ensure the adhesive layer side of the divider contacts the door panel.
Secure the air flow divider to the panel with screw.

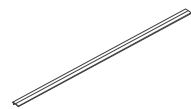
3



Attach a flow divider cap to the flow divider.

DOOR COVERS & TRIMS INSTALLATION

Trims install kit



Top door panel side extrusion (2x)



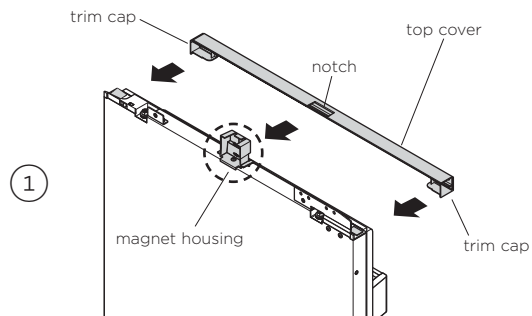
Bottom drawer panel side extrusion (2x)



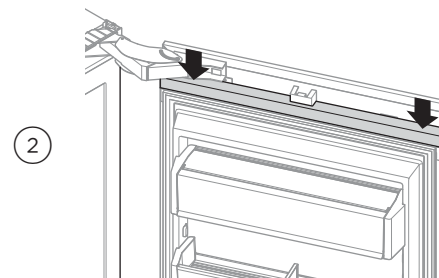
Bottom drawer top trim (1x)

Re-installing the top cover (for all models)

Remove the backing film of dual adhesive strips pre-attached to the top of the door. Ensure the magnet is in place before installing the top cover.



Align the top cover to the top of the door.
Clip the notch into the magnet housing, and the trim caps on top of the adhesive strips.

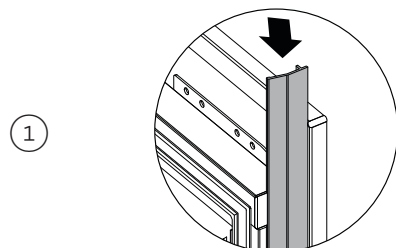


Press down both ends of the top cover to engage the trim caps on the adhesive strips.

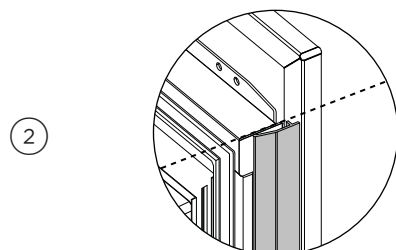
Ensure the magnet remains in place and not damaged as this will affect the operation of the appliance.

Installing the door side covers

Refrigerator, freezer and wine cabinet

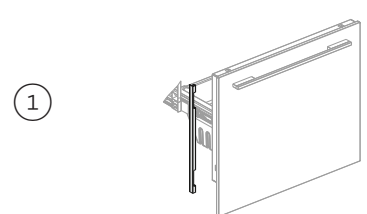


Insert door side covers into the gaps on the right and left sides of the drawer and slide downwards to clip into place. Press firmly to secure.

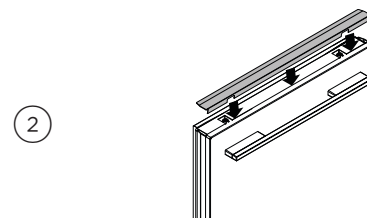


Ensure side cover is aligned with the top door panel extrusion.

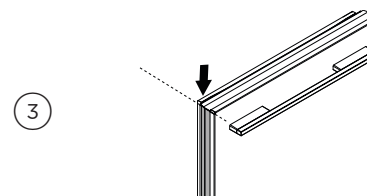
Refrigerator-freezer



Insert the drawer side covers into the panel gaps on the right and left sides of the drawer. Ensure the cabinet is centered to prevent the side covers from interfering with the cabinet.



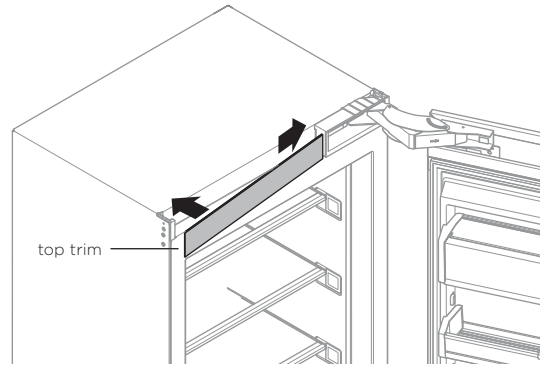
Align top trim to drawer and press down firmly to secure within panel bracket clips.



Ensure top trim is aligned with the drawer side covers.

TOP TRIM & HINGE POCKET COVERS INSTALLATION

installing the top trim (for all models)



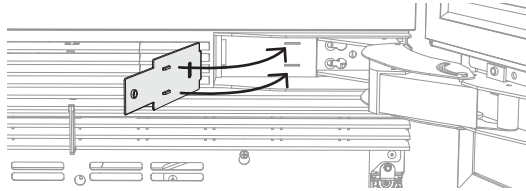
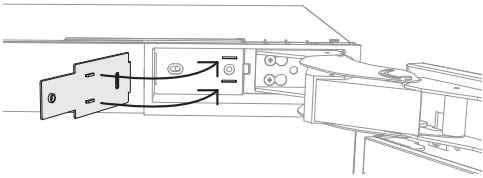
Slide one end of the top trim into the hinge pocket of the appliance.

Press the other end to engage the dual lock strips on the non-hinge side of the appliance.

installing the hinge pocket covers (for all models)

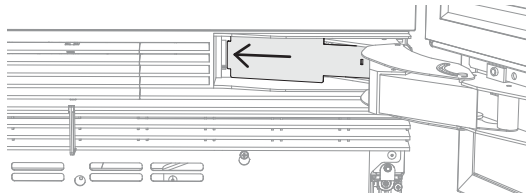
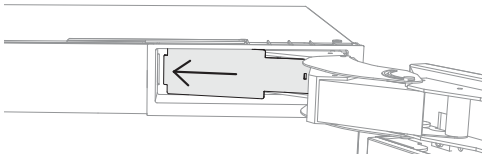
Follow the steps below to install the covers for the top, bottom or middle hinge pockets.

①



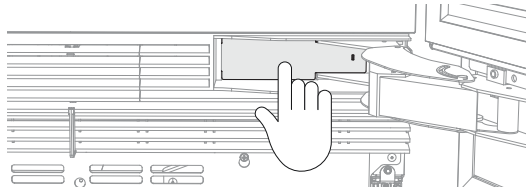
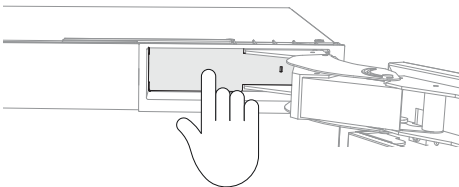
Place the hinge pocket cover to the hinge pocket, matching the studs on the cover to the slots in the hinge pocket.

②



Slide the cover inside the pocket.

③

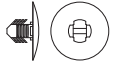


Press the pocket cover to ensure the cover clips into the pocket.

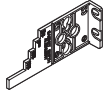
Your Integrated Installation is now complete!

MULTIPLE INSTALLATION — APPLIANCE PREPARATION

Install fasteners kit



Barbed plugs (2)

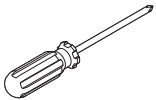


Cabinet depth alignment gauges (4)

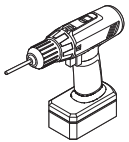


Flange joiners (2)

Tools



Cross-head screwdriver

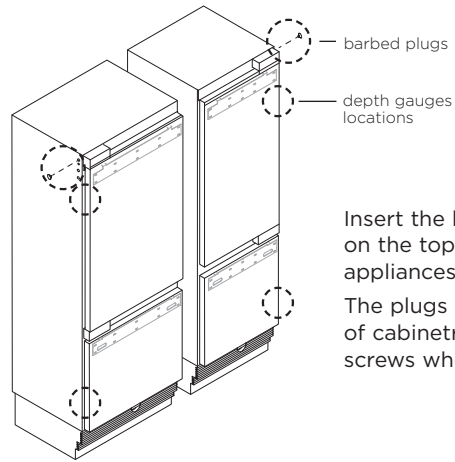


Powered driver (optional)



3mm Allen key

Attach barbed plugs and depth alignment gauges

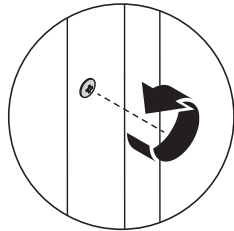


1

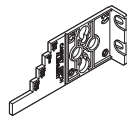
Insert the barbed plugs into large holes on the top right and left sides of both appliances.

The plugs protect the inside surface of cabinetry from being damaged by screws when pushing in the appliance.

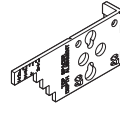
2



Loosen the right and left screws at the top and bottom sides of the door. Locate the alignment gauges at correct orientation to the right and left screws.



Left



Right

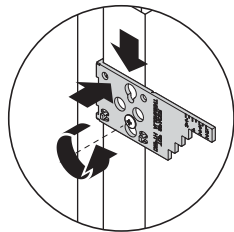
Place the alignment gauge by inserting the screw head through the keyhole of the gauge.

Push the alignment gauge down to lock the position.

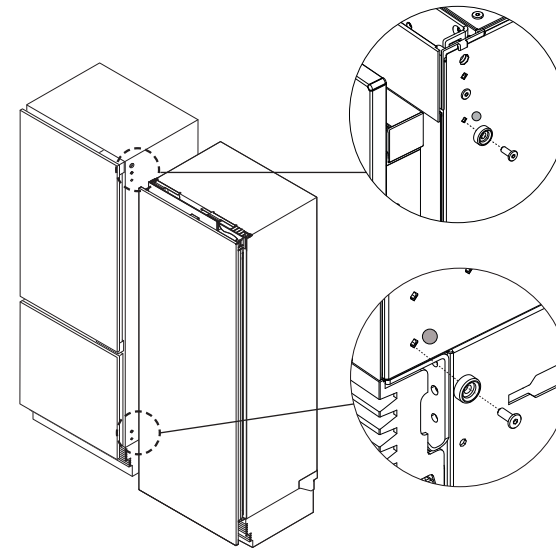
Tighten the screw just enough to firmly hold the gauge.

- The alignment gauges are only temporary and must be removed after installation.

3

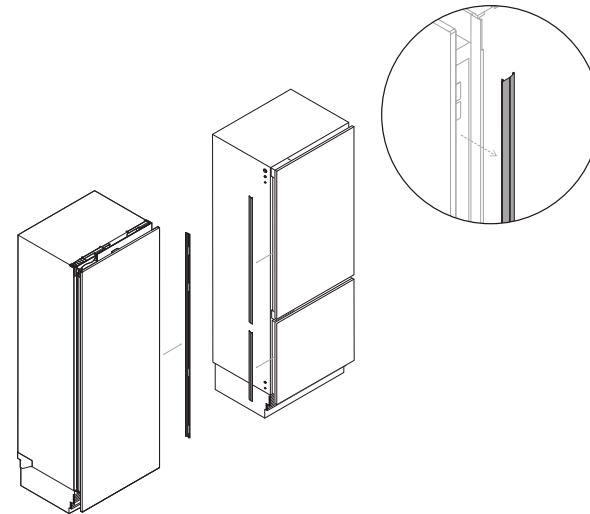


Add flange joiner



Remove bolts from the locations marked via the green labels on your appliance. Add the flange joiners, and tighten using a 3mm Allen key to secure.

Remove alcove trims



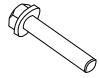
Remove alcove trims between adjacent products.

MULTIPLE INSTALLATION – JOIN PRODUCTS

Joiner fastener kit



Joiner Sleeve (2)



Bolt M5 HEX (2)

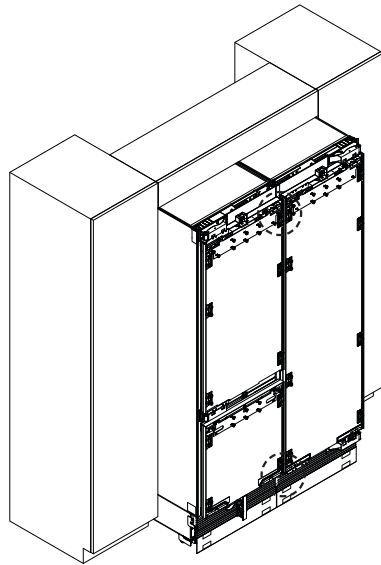


M6 Hex Nut (1)



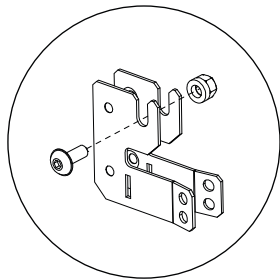
Screw WSH M6 (1)

Fit lower joiner bracket



Carefully roll both products halfway into cabinetry.

Take note of the upper and lower joiner locations illustrated.

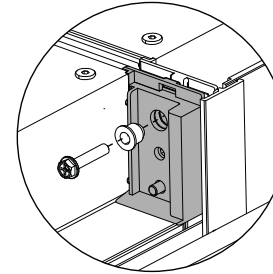


Clamp the lower brackets together using the supplied M6 screw and Nut. Secure using a 4mm Allen key and 10mm spanner.

Ensure brackets are clamped tightly before proceeding.

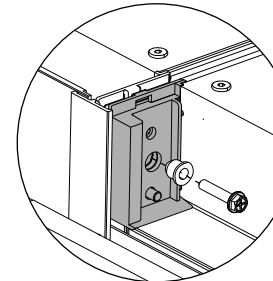
Fit upper joiner bracket

1



Clamp the upper brackets together by fitting the first the supplied M5 bolt and joiner sleeve. Tighten using a 8mm socket and Phillips screwdriver until the sleeve sits flush.

2



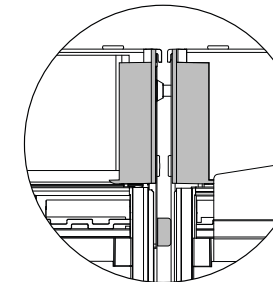
Handle to handle installations:

Fit the second supplied M5 bolt and joiner sleeve.

For handle to handle install, use two bolts from both sides.

For handle to hinge, only one joiner bolt from handle side be inserted.

3



Ensure the flange joiners contact the adjacent product as shown.

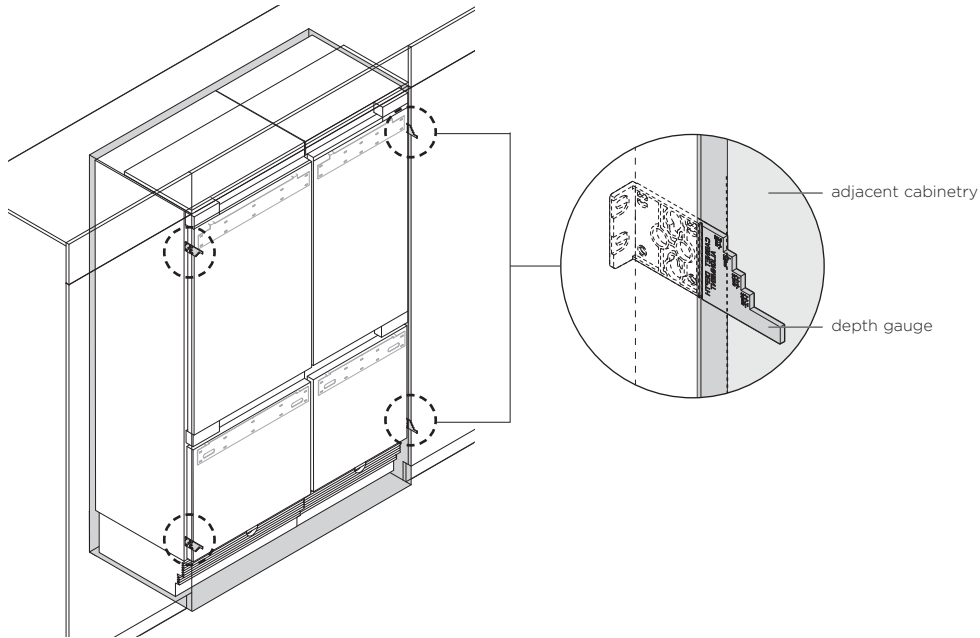
MULTIPLE INSTALLATION – ROLL INTO CABINETY

Tools



Ruler

Pushing into the cabinetry and aligning the depth gauges



- ① Carefully roll both products into cabinetry.
- ② Mark the step of depth gauge on the cabinetry sides of the doors based on the thickness of door panel.
Align the marked line flush with the front surface of the adjacent cabinetry.

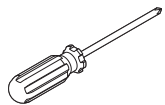
MULTIPLE INSTALLATION – LEVEL AND SECURE

Install fasteners kit

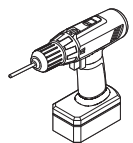


8Gx16 Countersunk screw (6)

Tools



Cross-head screwdriver



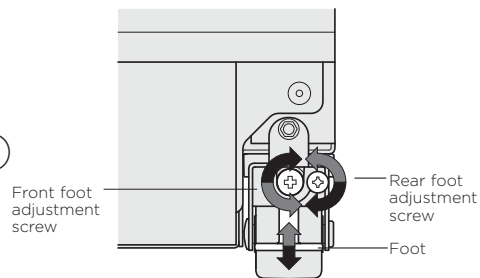
Powered driver (optional)



Ruler

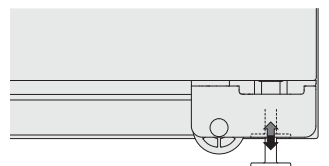
Adjusting alignment of appliance in cabinetry

1



Turn the front and rear adjustment screws clockwise to raise height of the appliances and counter-clockwise to lower the height.

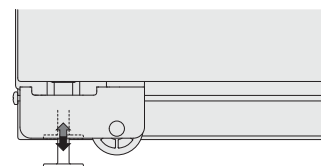
2



Rear foot

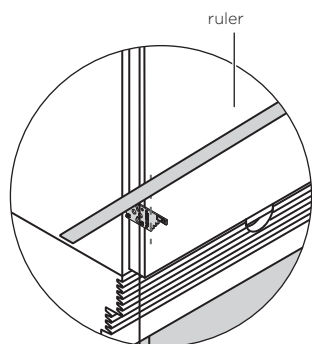
Beginning with the outside feet, turn the right hand screw to adjust the rear of the product followed by the lefthand screw to adjust the front. Once product is set in cavity, adjust the central feet.

3



Front foot

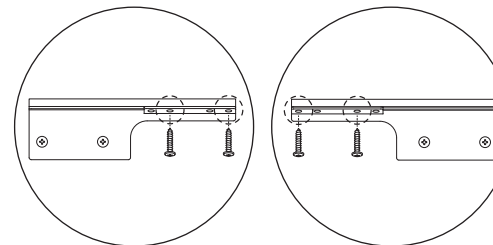
Ensure feet engage with the floor and the upper bracket touches the alcove.



Check the alignment gauges while adjusting the screws to maintain the alignment of the appliance.

Using a ruler, check if the gaps between appliance and cabinetry side wall are even.

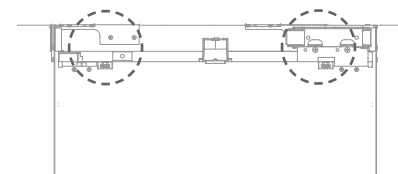
Securing the top brackets



Left top bracket

Right top bracket

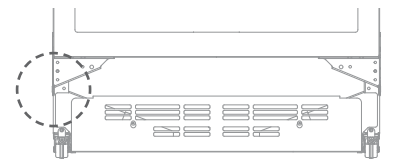
1



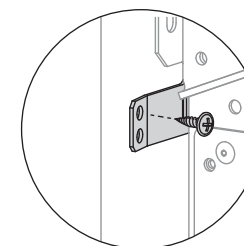
Fix the left and right top brackets to the ceiling surface of the cabinetry with 8Gx16 countersunk screws.

Securing the side brackets

2

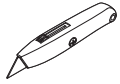


Left lower side bracket

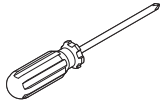


GRILLES INSTALLATION

Tools

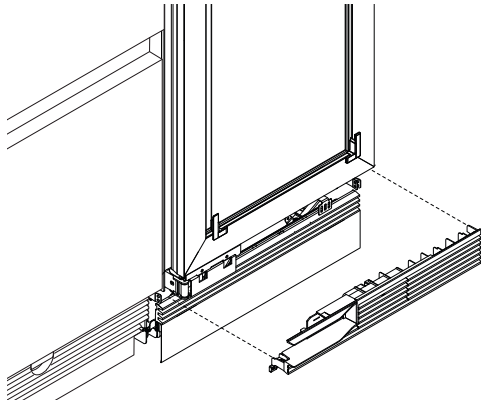


Cutter



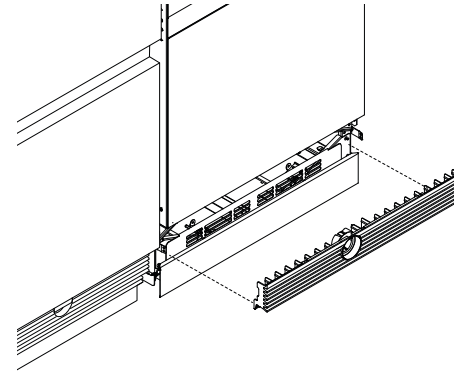
Cross-head
screwdriver

Attaching the top grille



Refrigerator or Freezer/ Wine Cabinet

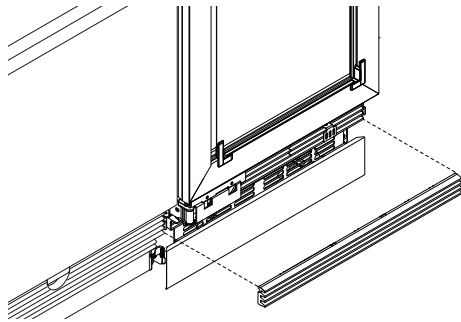
Open the door, and secure both ends of the grille and behind the water filter hatch with #8x16 screws.



Refrigerator-Freezer

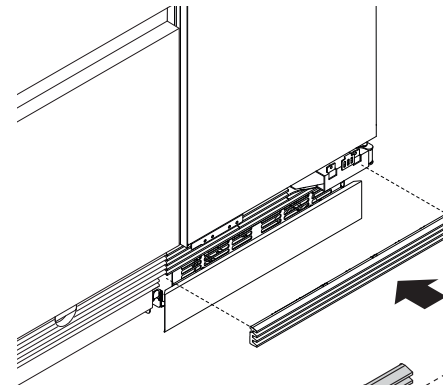
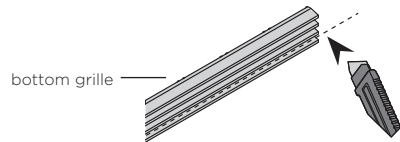
Reattach the top grille with #8x16 screws.

Attaching the bottom grille



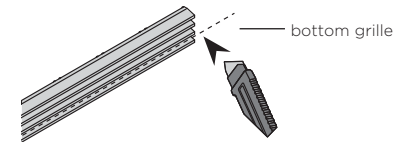
Refrigerator or Freezer/ Wine Cabinet

Re-attach the bottom grille via magnets.



Refrigerator-Freezer

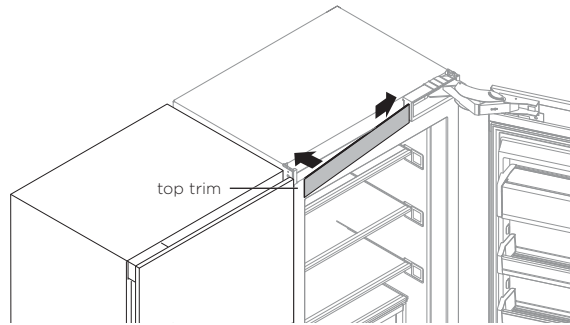
Re-attach the bottom grille via magnets.



For toe kick heights 114-127mm, shorten the bottom grille by cutting along the vertical ribs.

MULTIPLE INSTALLATION – TOP TRIM & HINGE POCKET COVERS INSTALLATION

installing the top trim (for all models)



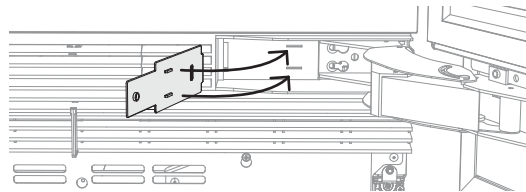
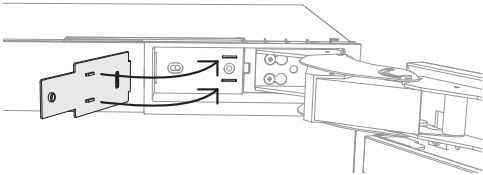
Slide one end of the top trim into the hinge pocket of the appliance.

Press the other end to engage the dual lock strips on the non-hinge side of the appliance.

installing the hinge pocket covers (for all models)

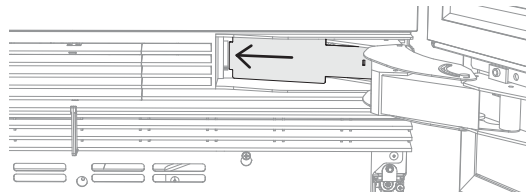
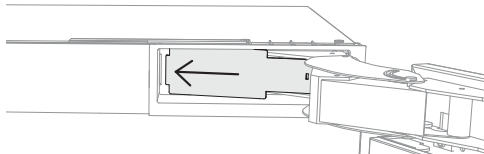
Follow the steps below to install the covers for the top, bottom or middle hinge pockets.

①



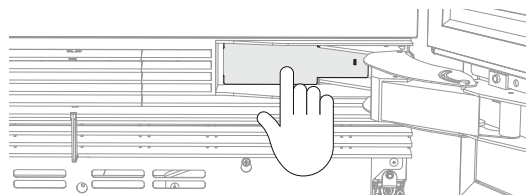
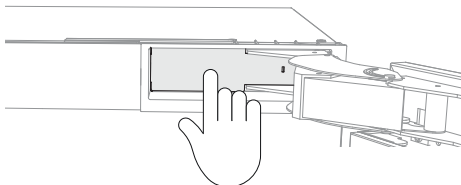
Place the hinge pocket cover to the hinge pocket, matching the studs on the cover to the slots in the hinge pocket.

②



Slide the cover inside the pocket.

③



Press the pocket cover to ensure the cover clips into the pocket.

Your Integrated Installation is now complete!

MULTIPLE INSTALLATION – INSTALL TRIMS

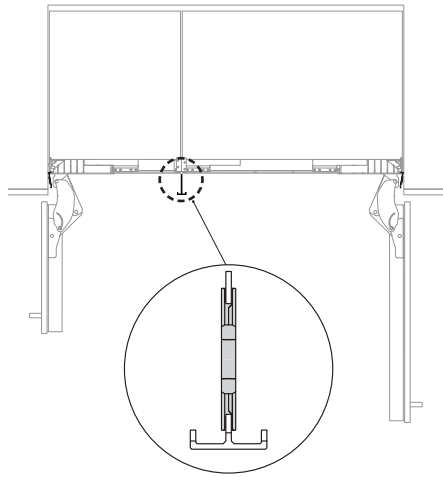
Tools



Aluminium centre trim (1x)

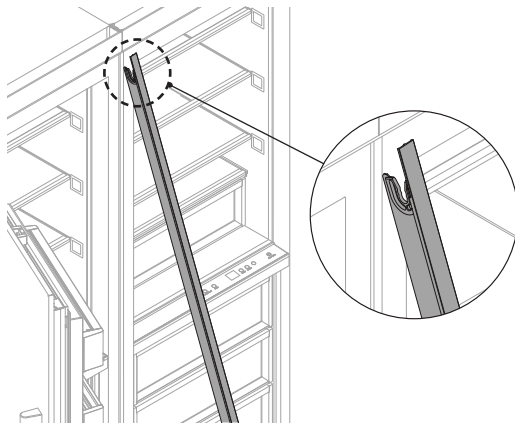
Install the centre trim

1



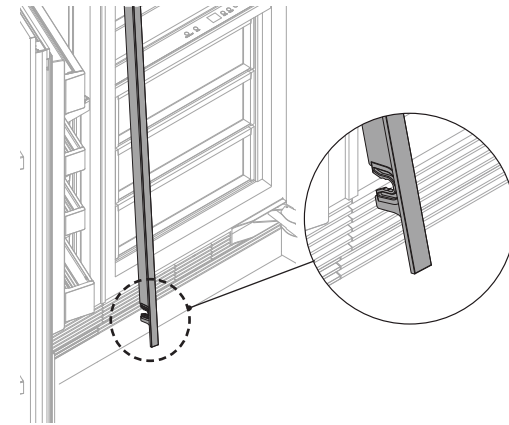
Position centre trim between products.

2



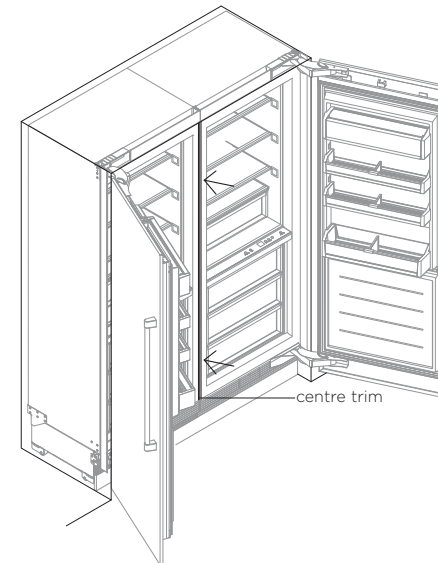
Push trim up into the upper bracket.

3



Push trim into the lower bracket.

4



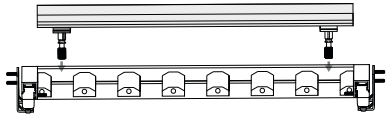
Press the centre trim to fix the position.

WINE DISPLAY FOR WINE CABINET

Handle assembly

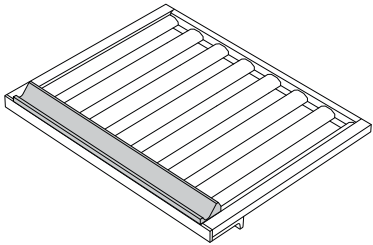
Retainer blocks are pre-assembled at the bottom of both ends of the handle.

①



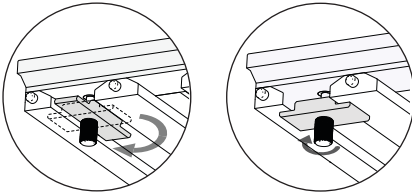
Loosen the screws until the retainer blocks can be inserted between slats of display rack.

②



Align handle to the front end of display rack.

③

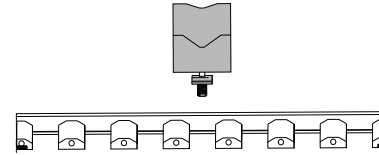


Rotate retainer block to lock position and tighten screw to lock handle in place.

Cradle assembly

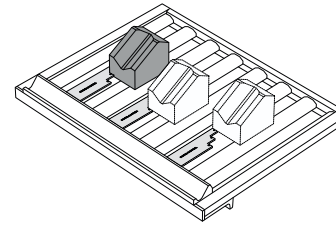
A retainer block is pre-assembled at the bottom of each cradle. Use a spacer to correctly position the cradle and avoid wine bottles being too upright resulting in bottles tipping over.

①



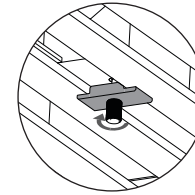
Insert retainer block at desired location between slats of display rack. Do not tighten.

②



Place 'cradle guide' on the slats behind the handle..
Align cradle on spacer based on size and type of wine bottle.

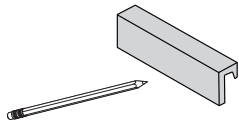
③



Rotate the retainer block to lock position, and tighten screw.
Remove cradle guide from the rack after use.

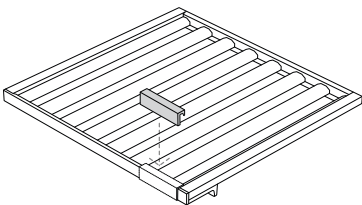
Wine label kit

①



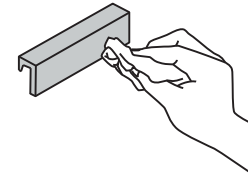
Write the name or type of wine on the label.

②



Fit label over front edge of rack to match displayed wine.

③



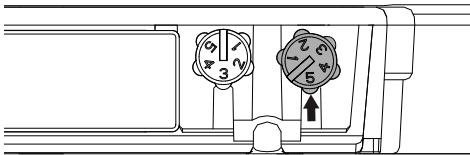
Wipe the labels with a damp cloth to erase.

TEST ASSISTED OPENING ACCESSORY

ADJUST MODE

The **MODE** dial can be used to adjust the overall use settings of your Assisted Opening Accessory.

MODE	DESCRIPTION
1 - DEACTIVATED	Prevents the Assisted Opening Accessory from operating during installation. Your Accessory will not operate if left in this setting.
2 - SMALL OPENING	Sets the opening distance to its minimum.*
3 & 4 - LARGE OPENING	Sets the opening distance to its maximum.*
5 - DRAWER	Sets the opening distance to its maximum.* Recommended for all drawer installations.

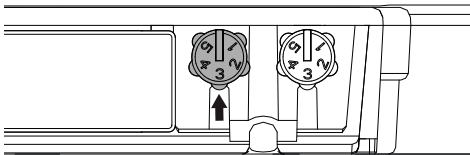


Rotate the dial using a flat-bladed screwdriver until the desired setting is selected.

ADJUST SENSITIVITY

Sensitivity

The **SENSITIVITY** dial can be used to adjust the push/pull sensitivity of your Assisted Opening Accessory. The sensitivity cannot be adjusted on DishDrawer™ installations.

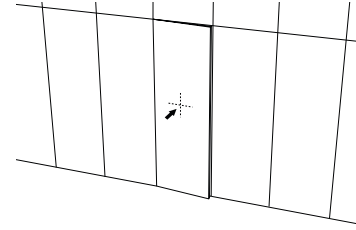


Rotate the dial using a flat-bladed screwdriver until the desired setting is selected.

Setting 1 is the least sensitive and 5 is the most sensitive.

*Opening distance will vary depending on custom panel thickness and the position of the Assisted Opening Accessory in the cavity.

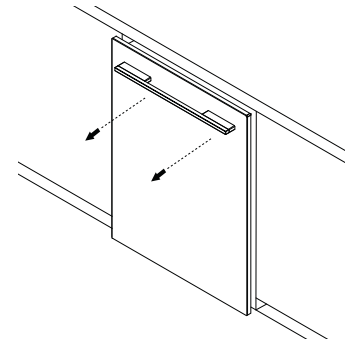
TEST



Push door

Push the door to open slightly. The door will remain ajar for four seconds.

Pull door to open fully. If left ajar, the door will automatically close again after four seconds.



Push handle

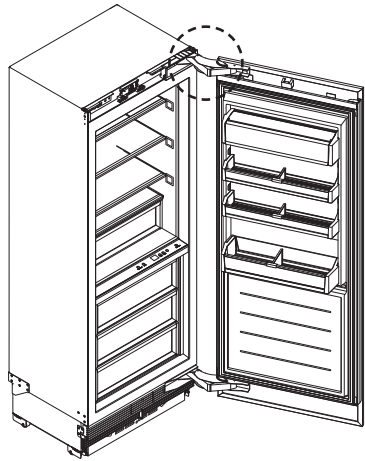
If handles are fitted, gently push the handle then pull to open slightly. The door will remain ajar for four seconds.

Pull door to open fully. If left ajar, the door will automatically close again after four seconds.

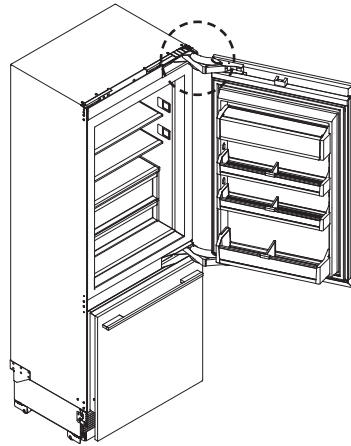
CHANGE THE DOOR HINGES (OPTIONAL)

You have the option to switch the door hinge side of your appliance from right hand hinge to left hand hinge or vice versa. A hinge change kit is required for this installation, and must be purchased separately. Ensure that you remove all the shelves, covers and trims from the appliance before changing the hinges. Take care not to damage the door.

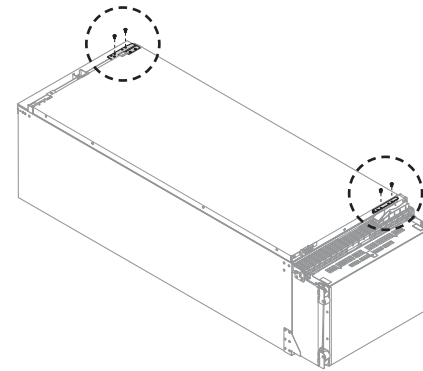
Detach the door



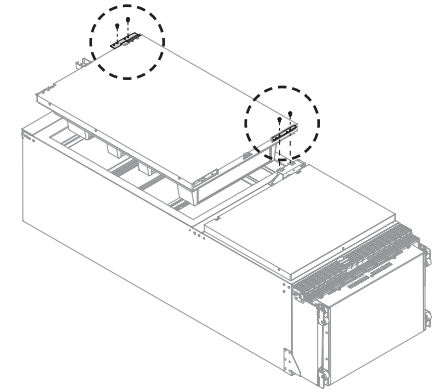
REFRIGERATOR & FREEZER / WINE CABINET



REFRIGERATOR-FREEZER

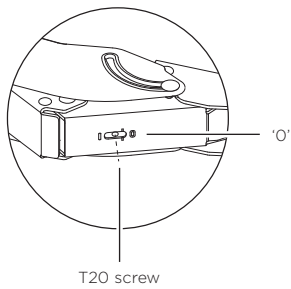


REFRIGERATOR & FREEZER / WINE CABINET



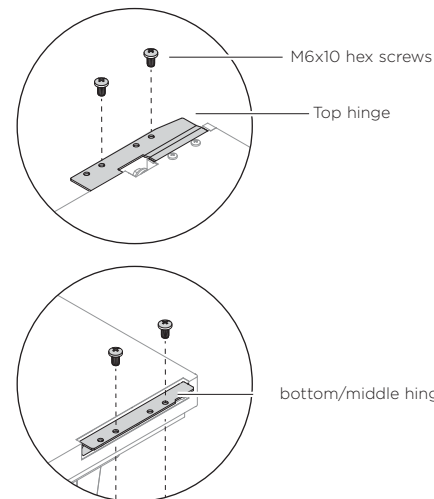
REFRIGERATOR-FREEZER

1



Release the hinge spring by turning the T20 screw in the hinge to the '0' position. Close the door and lay the appliance on its back on the pallet.

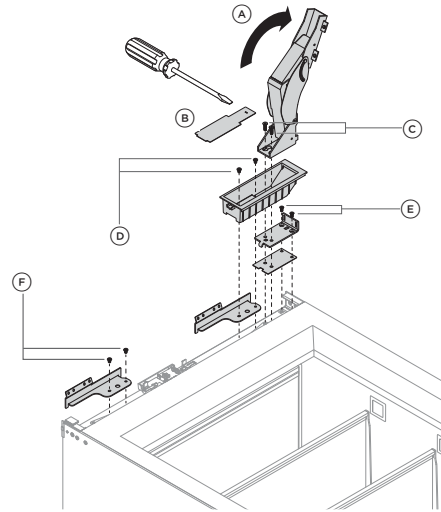
2



Detach the door from the appliance by unscrewing the door hinge M6x10 hex screws (4x) at the top hinge and bottom/middle hinge.

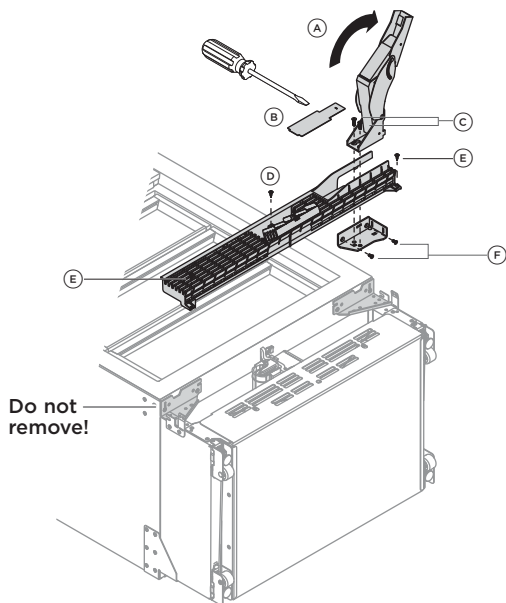
CHANGE THE DOOR HINGES (OPTIONAL)

Detach the top door hinge



- ① Rotate the top hinge (A) outwards and remove the top hinge pocket cover (B) using the flat head screwdriver in the slot of the cover.
- ② Unscrew M6x16 countersunk screws (C) to remove top hinge, and set aside to use later.
- ③ Unscrew M6x16 countersunk screws (D) from hinge pocket to remove hinge pocket and top alcove bracket.
- ④ Unscrew M5x12 countersunk screws (E) to remove top hinge bracket and spacer.
- ⑤ For the non-hinge side, remove the top alcove bracket by unscrewing the M6x16 countersunk screws (F).

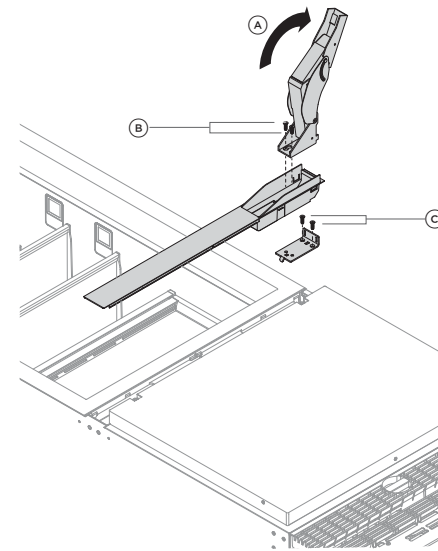
Detach the bottom door hinge — For Refrigerator & Freezer / Wine Cabinet



- ① Rotate the bottom hinge (A) outwards and remove bottom hinge pocket cover (B) using a flat head screwdriver in the slot.
- ② Remove the hinge by unscrewing the M6x16 countersunk screws (2x) (C).
- ③ Open the water filter hatch on the bottom grille and unscrew the #8x16 screw (D) while holding the grille in place.
- ④ Remove the bottom grille by unscrewing the #8x16 screws (E) from the bottom left and right of the grille.
- ⑤ Remove bottom hinge bracket by unscrewing M6x16 countersunk screws (F).

IMPORTANT!
Do not remove plinth-to-cabinet retention brackets!

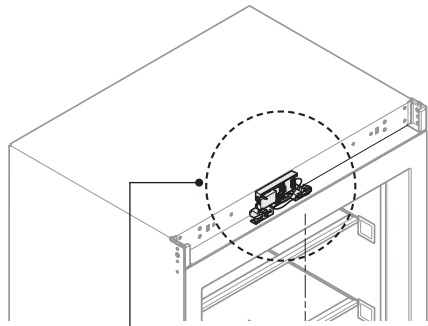
Detach the middle door hinge — For Refrigerator-Freezer



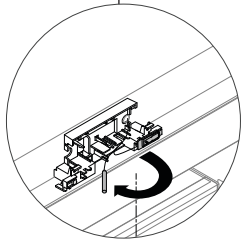
- ① Rotate the middle hinge (A) and unscrew M6x16 countersunk screws (B) to remove middle hinge, and set aside to use later.
- ② Unscrew M5x12 countersunk screws (C) to remove top hinge bracket and spacer.

CHANGE THE DOOR HINGES (OPTIONAL)

Move the sensor housing

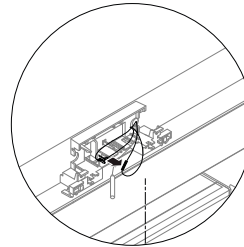


1



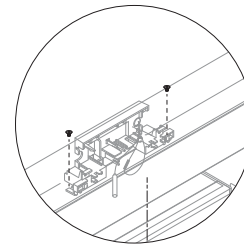
Unclip the hall sensor from the housing.

2

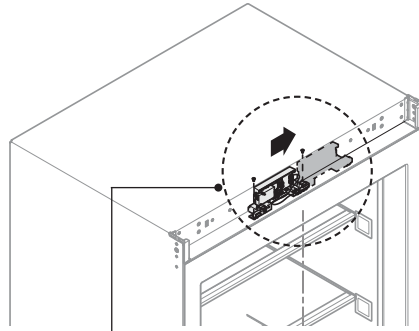


Unhook the interceptor board harness from sensor housing so harness is loose.

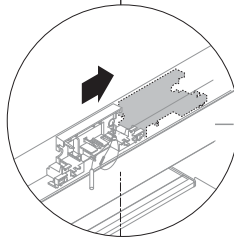
3



Remove the #8x16 screws (2x) from the sensor housing.

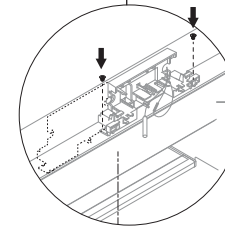


4



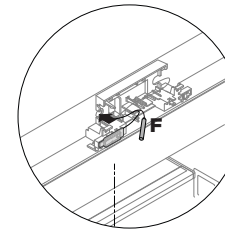
Move the sensor housing to align the opposite hall sensor clip with the centre of the cabinet.

5



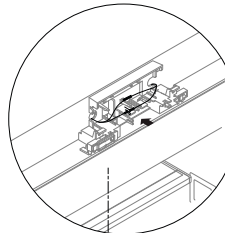
Reinstall the sensor housing using #8x16 screws (2x) into the pre-drilled holes in the cabinet top panel.

6



Clip the hall sensor into the sensor housing in the pocket closest to the centreline of the cabinet.

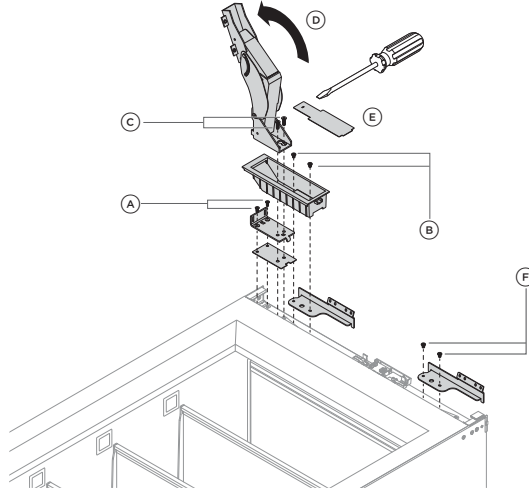
7



Press the harness from the interceptor board into the forks on the sensor housing.

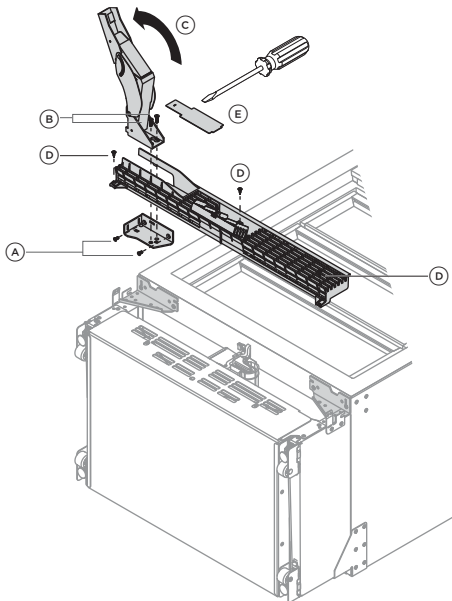
CHANGE THE DOOR HINGES (OPTIONAL)

Re-attach the top door hinge



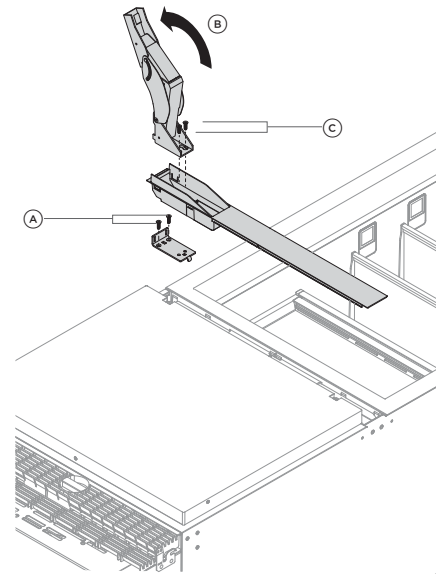
- ① Reinstall the hinge top bracket and bracket spacer with M5x12 countersunk screws **(A)** on the new hinge side at the other side of the appliance.
- ② Install the new hinge pocket and alcove top bracket on the new hinge side using two (2x) M6x16 countersunk screws **(B)**.
 - The new hinge pocket and top alcove bracket are supplied with the hinge kit.
- ③ Install the new hinge in the new hinge pocket by screwing M6x16 countersunk screws (2x) **(C)**.
- ④ Open the hinge **(D)** and clip the top hinge pocket cover **(E)** to the top hinge pocket.
- ⑤ Install a new top alcove bracket on the new non-hinge side **(F)**.

Re-attach the bottom door hinge — Refrigerator or Freezer / Wine Cabinet



- ① Install a new lower hinge bracket on the new hinge side with M6x16 screws (2x) **(A)**.
- ② Ensure that the tab on the top of the bracket inserts into the slot in the plinth front bracket.
- ③ Use the hinge that was removed from the top of the appliance and insert the tabs into the hinge lower bracket. Rotate the hinge into place and fix with M5x12 countersunk screws (2x) **(B)**.
- ④ Open the hinge **(C)**, and install the new top grille assembly.
- ⑤ Fasten in place with #8x16 screws (3x) **(D)**. One each at the bottom left and right of the grille and one behind the water filter hatch.
- ⑥ Clip the bottom hinge pocket cover to the new hinge pocket **(E)**.

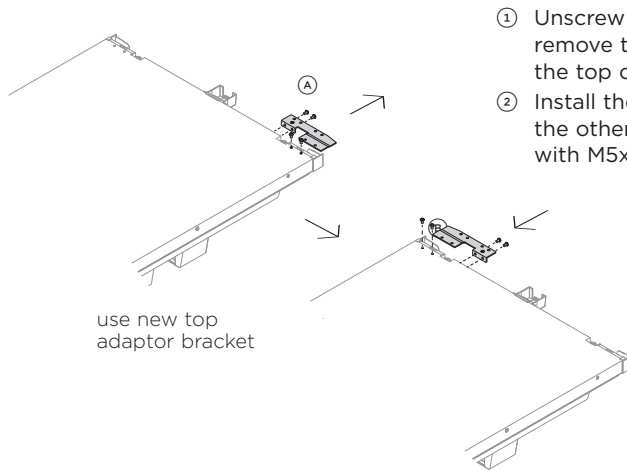
Re-attach the middle door hinge — wRefrigerator-Freezer



- ① Reinstall the middle hinge bracket and spacer with M5x12 countersunk screws **(A)**.
- ② Open the middle hinge **(B)** and reinstall the hinge with M6x16 countersunk screws **(C)**.

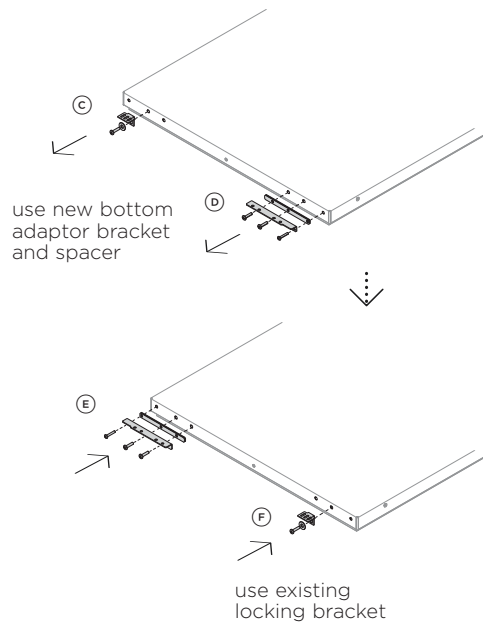
CHANGE THE DOOR HINGES (OPTIONAL)

Change the top door brackets



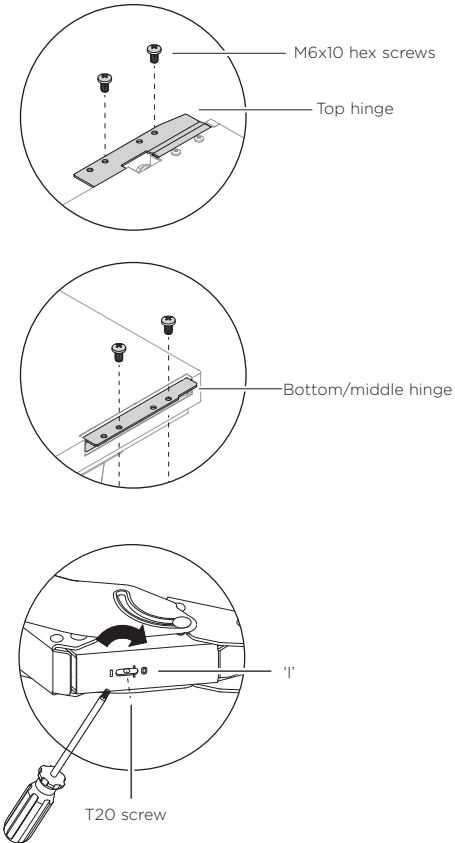
- ① Unscrew the M5x10 screws (4x) to remove the top adapter bracket from the top of the door (A).
- ② Install the new top adapter bracket into the other side of the top of the door with M5x10 screws (4x) (B).

Change the bottom door bracket



- ① Remove the door panel locking bracket and washer from the bottom of the door by unscrewing M6x25 screw (1x) (C).
- ② Remove the bottom adapter bracket and spacer from the bottom of the door by unscrewing M6x25 screws (2x) and M5x30 screw (1x) (D).
- ③ Install the new bottom adapter bracket and existing spacer to the other side of the door with M6x25 screws (2x) and M5x30 screw (1x) (E).
- ④ Install the existing door panel locking bracket and washer to the other side of the door with M6x25 screw (1x) (F).

Reinstall the door




- ① Secure the door to the top hinge and bottom/middle hinge with M6x10 hex screws (4x).
- ② Activate the hinge spring by turning the star T20 screws to the I position.
- ③ Return the appliance to the upright position, and reinstall all covers and trims.

FINAL CHECKLIST

TO BE COMPLETED BY THE INSTALLER

All models

- Cabinet Level:** Ensure the appliance is level and dimensions accurate. Refer to 'Cabinetry Dimensions', pages 15-17.
- Anti-tip:** Ensure the appliance is securely fastened to the cabinetry with the supplied anti-tip bracket and fittings. Refer to 'Cavity preparation', page 31.
- Door panel/and toe kick:** Ensure door panel/s and toe kick are attached securely and properly aligned; Refer to 'Door panel installation', pages 43-45, and 'Toe kick installation', pages 45-48.
- Doors closing freely:** Ensure the door/drawer can open and close freely with no resistance from surrounding cabinetry or product. Refer to 'Door clearance' and 'Drawer clearance', page 22.
- Hinge pin:** Ensure hinge limiting pin is fitted for 90° door swing. Refer to 'Door clearance', page 22.
- Vent clearance:** Ensure the cabinet installation provides the minimum vent clearance required. Check that the gap between the bottom of the door panel and the ground is at least 50mm. Refer to 'Product Dimensions', page 13.
- Installation trims:** Check all Installation Trims are present and fitted securely.
- Door opening sensor:** Ensure magnets and sensors are correctly installed by checking that the door alarm is not beeping and that compartment lights are on when door is opened.

- Assisted Opening Accessory:** Ensure unit is installed correctly and has been adjusted as required. Refer to page 60.
- Packaging:** Ensure all internal and external packaging has been removed. Refer to 'Before installation', page 29.
- Fault codes:** Ensure no error codes are shown.
- Installation mode:** Ensure the Installation Mode is de-activated (hold on Compartment  button for 4 sec. Refer to 'Power supply connection'.
- User guide:** Check the User Guide is inside the product in a visible area for the customer.

For products with water only or Ice and water function

- Ice maker:** Turn ice maker ON. Force a manual ice maker cycle by pressing the (alarm symbol), - & + buttons together for 4 seconds then close the door(s). The ice tray will fill and empty into the bin below, dry the bin and return it correctly. Refer to page 19 of your User Guide.
- Dispenser:** Ensure the water is flowing through the system using the dispenser pad. Refer to page 18 of your User Guide.

Complete and keep for safe reference:

Model _____
Serial No. _____
Purchase Date _____
Purchaser _____
Dealer Address _____

Installer's Name _____
Installer's Signature _____
Installation Company _____
Installation Date _____

FISHERPAYKEL.COM

© Fisher & Paykel Appliances 2024. All rights reserved.

The models shown in this guide may not be available in all markets
and are subject to change at any time.

The product specifications in this guide apply to the specific products and
models described at the date of issue. Under our policy of continuous product
improvement, these specifications may change at any time.

For current details about model and specification availability in your country,
please go to our website or contact your local Fisher & Paykel dealer.

592954A 11.24