

Freestanding French Door Refrigerator Freezer, 79cm, 487L, Ice & Water

Series 7 | Contemporary

Black Stainless Steel | French hinge

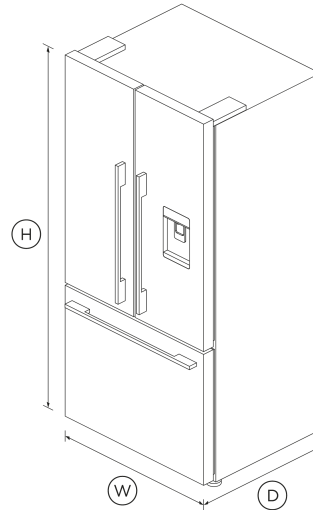


You'll have plenty of flexible storage space in this striking French Door refrigerator freezer in sleek black stainless steel.

- ActiveSmart™ technology helps keep food fresher for longer by constantly maintaining the ideal temperature.
- Spacious bottom freezer with full extension drawer gives easy access to frozen goods.
- Door water dispenser and internal ice maker

DIMENSIONS

Height	1715 mm
Width	790 mm
Depth	695 mm



FEATURES & BENEFITS

ActiveSmart™ Foodcare

ActiveSmart™ Foodcare learns how you live. It's the technology that understands how you use your refrigerator and adjusts the temperature, airflow and humidity inside to help keep food fresher for longer.

Clever Energy

Your refrigerator adapts to daily use by cooling and defrosting only when needed. This means it uses the energy it needs without compromising on food care.

Easy To Clean

No more dirty marks with our EZKleen feature for stainless steel refrigerators. Anti-fingerprint coating lets you simply wipe clean any finger marks. Spill-safe secure glass shelves easily capture any drips or leaks.

Design Quality

Our fridges are designed and built using robust, quality materials, with stainless steel exteriors and solid glass for the interior shelving.

Humidity Control

Your fruit and veges need different environments. The humidity control slides in each storage bin create a microclimate that helps keep food fresher for longer.

Ice Maker

The internal ice maker delivers fresh ice to a dedicated freezer bin. Simply turn it off to free up freezer space or during busy times boost ice production by up to 30%.

Ultra Slim Water Dispenser

The slimline water dispenser is easy to use. The angled water delivery means that almost any size or shape of vessel can be filled, while taking up no storage space in your fridge door.

SPECIFICATIONS

Accessories (sold separately)

Water filter replacement	847200 - FWC3
--------------------------	---------------

Capacity

Total gross capacity	519 L
Volume	487 L
Volume freezer	142 L

Volume refrigerator **345 L**

Consumption

Energy rating **3.5 star**
 Energy usage **414kWh/year**
 In-use energy carbon emissions estimate **56.1kgCO2e/year**

Features

Adjustable glass shelves **3**
 Adjustable half width door shelves **4**
 Covered door shelves **2**
 Door alarm •
 Front levelling feet •
 Full extension runners •
 Full width door shelves **2**
 LED lighting •
 Rear rollers •
 Single bottle holders **4**
 SmartTouch control panel •
 Ultra slim water dispenser •

Freezer Features

Automatic ice maker •
 Bottle chill •
 Fast freeze •
 Freezer bins **3**
 Ice bin and scoop •
 Ice Boost •

Performance

ActiveSmart™ Foodcare •
 Adaptive defrost •
 Frost free •
 Frost free freezer •
 Humidity control system •
 Inverter controlled compressor •
 R600a refrigerant •

Product dimensions

Depth **695 mm**
 Depth (including handles) **735 mm**
 Height **1715 mm**
 Height to top of cabinet **1715 mm**
 Minimum air clearance - each side **20 mm**
 Minimum air clearance - on top **50 mm**
 Width **790 mm**

Warranty

Parts and labour **2 years**
 Sealed system parts only **additional 3 years**

SKU **26405**

The product dimensions and specifications in this page apply to the specific product and model. Under our policy of continuous improvement, these dimensions and specifications may change at any time. You should therefore check with Fisher & Paykel's Customer Care Centre to ensure this page correctly describes the model currently available. © Fisher & Paykel Appliances Ltd 2020

Other product downloads available at fisherpaykel.com

- [↓ 2D-DWG Freestanding French Door Fridge Freezer](#)
- [↓ 2D-DXF Freestanding French Door Fridge Freezer](#)
- [↓ Data Sheet Freestanding French Door Fridge Freezer](#)
- [↓ Energy Label](#)
- [↓ Service & Warranty](#)
- [↓ Water Filter Replacement Instructions & Installation Guide EN](#)
- [↓ Installation Guide](#)
- [↓ User Guide](#)

Where applicable:

All appliances use energy, and energy usage typically generates carbon emissions. **Fisher & Paykel Appliances' In-use Energy Carbon Emissions Estimate** indicates carbon emissions from a product's in-use energy. This is calculated either annually or per cycle, using the product's market-specific energy label energy consumption data multiplied by the carbon emissions factor for energy in your country or region.

Our In-use Energy Carbon Emissions Estimate is designed to assist customers in making informed purchasing decisions when comparing different Fisher & Paykel products. For example, a heat pump dryer typically has a lower In-use Energy Carbon Emissions Estimate than a vented dryer.



A PEACE OF MIND SALE

24 Hours 7 Days a Week Customer Support

T 0800 372 273 W www.fisherpaykel.com