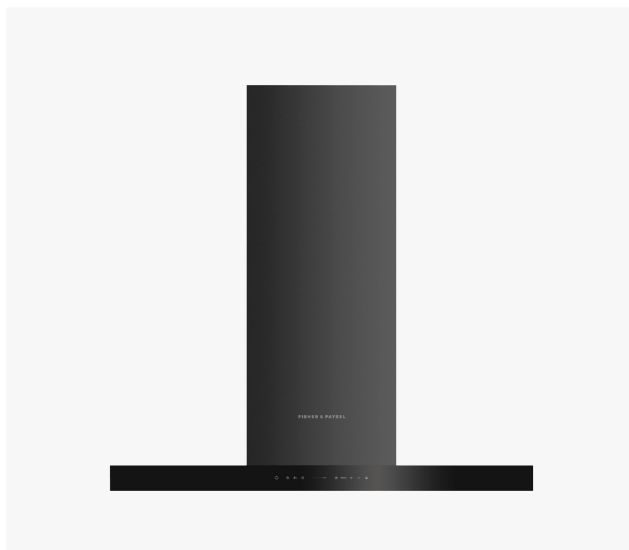


90cm Series 7 Box Chimney Wall Rangehood

Series 7 | Contemporary

Black Stainless Steel and Glass

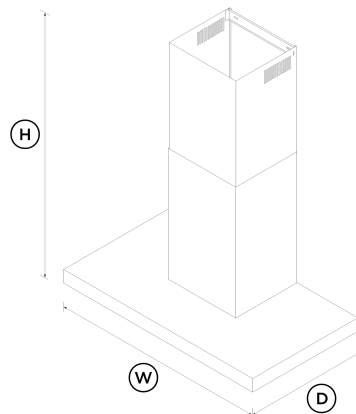


This Contemporary style rangehood extracts steam, grease and cooking odours quietly and efficiently.

- With three fan speeds plus boost, select the perfect extraction rate for your cooking
- Powerful maximum air movement of 780m³/hr
- Energy-efficient LED lighting to illuminate your cooking surface
- Wi-Fi enabled for notifications through the SmartHQ™ app

DIMENSIONS

| | |
|--------|-------------|
| Height | 635-1035 mm |
| Width | 898 mm |
| Depth | 500 mm |



FEATURES & BENEFITS

Effective Extraction

Featuring perimeter extraction, four fan speeds, and a boost function, this range hood provides powerful extraction to quickly remove odors and steam. Odours can linger in the kitchen well after cooking is finished so the timer keeps the hood working for up to 15 minutes before automatically turning off.

Simple Controls

The intuitive control panel responds to the touch of your finger. LED strip lighting illuminates the entire cooktop surface for the perfect sear or ideal reduction. Rangehood settings, including temperature and fan speed, can be controlled via the SmartHQ™ app, with additional voice control options for fan speeds and lighting.

Easy Cleaning

Designed for simple removal, the filters are easy to clean and dishwasher safe, while the glass and stainless steel finish is easily wiped clean. The SmartHQ™ app will notify you when to clean the filter to ensure you get the best performance out of your rangehood.

Complementary Design

The brushed black stainless steel finish of this vent hood will complement any contemporary kitchen and is designed to match the rest of Fisher & Paykel kitchen appliance family.

Easy Installation

This rangehood is the perfect partner to your Fisher & Paykel cooktop. It can be either externally ducted or internally recirculated, making it perfect for apartments.

Designed To Match

With the option of stainless steel or brushed black stainless steel, you can choose the perfect finish to match your Fisher & Paykel cooktop and achieve a coherent kitchen aesthetic.

SPECIFICATIONS

Accessories (included)

| | |
|------------------|--------|
| Aluminium filter | 793707 |
|------------------|--------|

Accessories (sold separately)

| | |
|-------------------|--------|
| Chimney extension | 793716 |
|-------------------|--------|

| | |
|-----------------------------|--------|
| Recirculation carbon filter | 793599 |
| Recirculation diverter | 793713 |

Fan ratings

| | |
|----------------------|------------------------|
| Maximum air movement | 810 m ³ /hr |
|----------------------|------------------------|

Installation and cleaning

| | |
|----------------------------------|---------------------------|
| Air outlet size | 150 mm |
| Dishwasher safe filters | 3 |
| Ducted | Top extraction only |
| Recirculation | Optional - top extraction |
| Stainless steel filter cover | • |
| Two piece height adjustable flue | • |

Performance

| | |
|--------------------|---------|
| Extraction type | Surface |
| Fan speeds | 3 |
| Fan speeds + boost | • |
| Filter type | Mesh |
| Number of filters | 3 |

Power requirements

| | |
|------------------|-----------|
| Supply frequency | 50 Hz |
| Supply voltage | 220-240 V |
| Total Power | 248 W |

Product dimensions

| | |
|--------|-------------|
| Depth | 500 mm |
| Height | 635-1035 mm |
| Width | 898 mm |

Product information

| | |
|--------------|------------------|
| Control type | Capacitive touch |
|--------------|------------------|

Ventilation features

| | |
|-----------------------|-----------|
| Auto-off/Run-on timer | • |
| Dimmable lights | • |
| Filter cleaning alert | • |
| Light type | LED strip |
| Smart appliance | • |
| Timer function | • |

Warranty

| | |
|------------------|---------|
| Parts and labour | 2 years |
|------------------|---------|

| | |
|-----|-------|
| SKU | 50195 |
|-----|-------|

The product dimensions and specifications in this page apply to the specific product and model. Under our policy of continuous improvement, these dimensions and specifications may change at any time. You should therefore check with Fisher & Paykel's Customer Care Centre to ensure this page correctly describes the model currently available. © Fisher & Paykel Appliances Ltd 2020

Other product downloads available at fisherpaykel.com

- [↓](#) 2D-DWG Wall Rangehood
- [↓](#) 2D-DXF Wall Rangehood
- [↓](#) Data Sheet Rangehood
- [↓](#) Service & Warranty
- [↓](#) Installation Guide Wall Rangehood
- [↓](#) User Guide Wall Rangehood

Where applicable:

All appliances use energy, and energy usage typically generates carbon emissions. **Fisher & Paykel Appliances' In-use Energy Carbon Emissions Estimate** indicates carbon emissions from a product's in-use energy. This is calculated either annually or per cycle, using the product's market-specific energy label energy consumption data multiplied by the carbon emissions factor for energy in your country or region.

Our In-use Energy Carbon Emissions Estimate is designed to assist customers in making informed purchasing decisions when comparing different Fisher & Paykel products. For example, a heat pump dryer typically has a lower In-use Energy Carbon Emissions Estimate than a vented dryer.



A PEACE OF MIND SALE
 24 Hours 7 Days a Week Customer Support
 T 1300 650 590 W www.fisherpaykel.com