

Single DishDrawer Dishwasher, Tall, Sanitise

Series 9 | Contemporary

Black Stainless Steel

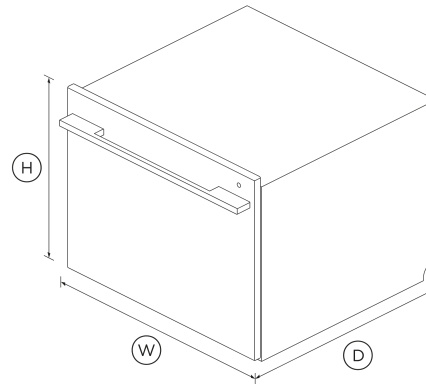


Created with extra height for large dishes and designed to be placed anywhere in your kitchen, for loading dishes with less bending.

- With extra height for taller dishes, and customisable internal shelving
- Six wash programs, as well as additional Quick wash, Sanitise and Extra Dry options

DIMENSIONS

Height	478 mm
Width	599 mm
Depth	573 mm



FEATURES & BENEFITS

Ease Of Use

DishDrawer™ Dishwashers are easy to open and close and can be positioned at bench height for effortless loading and minimal bending. Flexible racking allows you to make adjustments to fit in all kinds of dishes.

Quick, Sanitize And Extra Dry Options

The Quick wash modifier delivers a faster wash while maintaining performance. The Sanitise option provides extra protection killing 99.9% of bacteria in the final rinse. The Extra Dry setting is perfect for plastic dishes.

Quiet Performer

Running at a very low decibel rate, these DishDrawer™ Dishwashers do their job without making a fuss. The combination of intelligent technology and simple mechanics means greater reliability and excellent wash performance.

Beauty Of Choice

As much a design component as a high performance appliance, the black DishDrawer™ Dishwasher brings a touch of sophistication to your kitchen, on its own or part of a matching kitchen appliance set.

SPECIFICATIONS

Accessories (included)

Cutlery basket	•
Kickstrip	true
Knife clip and multipurpose clip	•

Capacity and loading

Accommodates round plates up to	310mm
Adjustable height, foldable cupracks	•
Fold down tines	•
Pitch adjustable tines	•
Place settings	7

Consumption

Energy rating	3.5 star
Energy usage	136kWh/year
In-use energy carbon emissions estimate	88.6kgCO2e/year
Water rating	4.5 star (WELS)

Water usage (per wash cycle)	6.9L	Product dimensions	SKU	82327
Controls		Depth	The product dimensions and specifications in this page apply to the specific product and model. Under our policy of continuous improvement, these dimensions and specifications may change at any time. You should therefore check with Fisher & Paykel's Customer Care Centre to ensure this page correctly describes the model currently available. © Fisher & Paykel Appliances Ltd 2020	
Electronic fault/Diagnostic indicator	•	Height		
End of cycle beeps	•	Width		
Energy saving delay start option of up to 12 hours	•	Warranty		
Internal wash selector	•	Parts and labour	2 years	
Keylock	•	Wash Program Modifiers		
Rinse aid indicator light	•	Extra Dry	•	
Smart appliance	•	Quick	•	
Wi-Fi connectivity	•	Sanitise	•	
Features		Wash modifiers	3	
Fan assisted drying	•	Wash Programs		
Flood protection	•	Delicate	•	
Flow through detergent dispenser	•	Eco	•	
Quiet operation	•	Fast	•	
SmartDrive™ technology	•	Heavy	•	
Performance		Medium	•	
Noise emissions	42 dBA	Rinse	•	
Power requirements		Wash programs	6	
Amperage	5A	Water connection		
Supply frequency	50Hz	Water pressure	30kPa - 1000 kPa	
Supply voltage	220 - 240V	Water supply	3/4" BSP (20mm) Connector Water Inlet Hose	
			Other product downloads available at fisherpaykel.com ↓ Energy and Water Label ↓ Service & Warranty ↓ Installation Guide Single DishDrawer™ Dishwasher ↓ Installation Guide Single DishDrawer™ Dishwasher ↓ Quick Start Guide DishDrawer™ Dishwasher EN ↓ Revit Single DishDrawer™ Dishwasher ↓ Rhino Single DishDrawer™ Dishwasher ↓ Sketchup Single DishDrawer™ Dishwasher ↓ User Guide DishDrawer™ Dishwasher ↓ Wash Program Data ASNZS DishDrawer™ Dishwasher	
			Where applicable: All appliances use energy, and energy usage typically generates carbon emissions. Fisher & Paykel Appliances' In-use Energy Carbon Emissions Estimate indicates carbon emissions from a product's in-use energy. This is calculated either annually or per cycle, using the product's market-specific energy label energy consumption data multiplied by the carbon emissions factor for energy in your country or region.	

Our In-use Energy Carbon Emissions Estimate is designed to assist customers in making informed purchasing decisions when comparing different Fisher & Paykel products. For example, a heat pump dryer typically has a lower In-use Energy Carbon Emissions Estimate than a vented dryer.



A PEACE OF MIND SALE
24 Hours 7 Days a Week Customer Support
T 1300 650 590 W www.fisherpaykel.com