

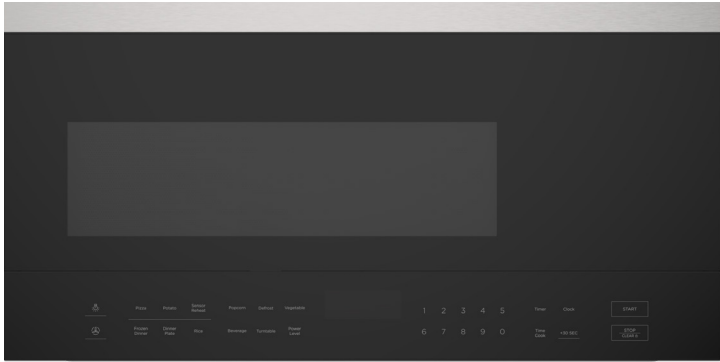
This comprehensive Planning Guide provides you with the framework and tools to achieve your desired design outcome with Fisher & Paykel appliances. In this guide, you will find a range of conceptual, detailed and dimensional product information to bring your ideas to life and create spaces that truly reflect your vision.

CONTENTS

CONCEPT DESIGN		DEVELOPED AND DETAILED DESIGN	
	PAGE		PAGE
Specification Guides	3	Data Sheet	5
Over the Range Microwave	4		

The models shown in this Planning Guide may not be available in all markets and are subject to change at any time. Product specifications may vary from those shown. This Planning Guide should not be used as installation guidance for any product. Further information is required to safely and correctly install the products featured here. Specific installation guidance will be available on our website fisherpaykel.com

SPECIFICATION GUIDE

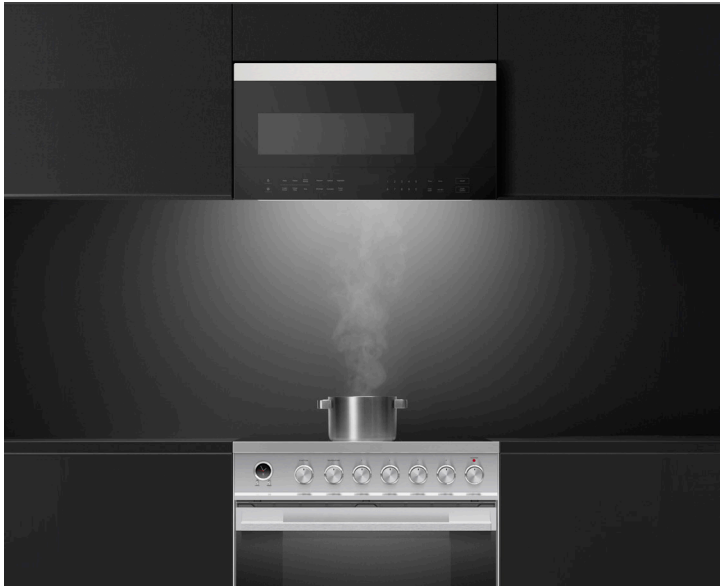


OVERVIEW

This Series 5 Over the Range Microwave pairs the flexibility of microwave cooking with an effective ventilation fan for above the range. It includes 10 functions such as Defrost, Popcorn and Sensor Reheat all in our Contemporary style with stainless steel and black finish, and side opening pocket handle.

FEATURES

- ① Contemporary style stainless steel and black glass finish
- ② Flat door with sleek, side opening pocket handle
- ③ 10 functions including Defrost, Popcorn and Sensor Reheat and more
- ④ Easy-to-use touch controls, to change between High, Low and Off for both the light and hood
- ⑤ Easy to clean with a removable, raised turntable
- ⑥ Ideal for everyday use with a 1.6 cu ft capacity
- ⑦ Powerful fan for optimal extraction, and hood light for illumination
- ⑧ Quickly remove odors with two speeds and 300CFM extraction
- ⑨ Maximum noise level of seven sones



PRODUCTS

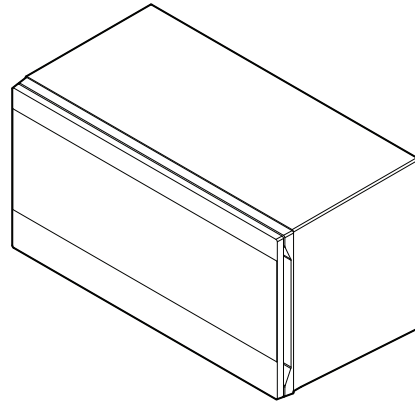
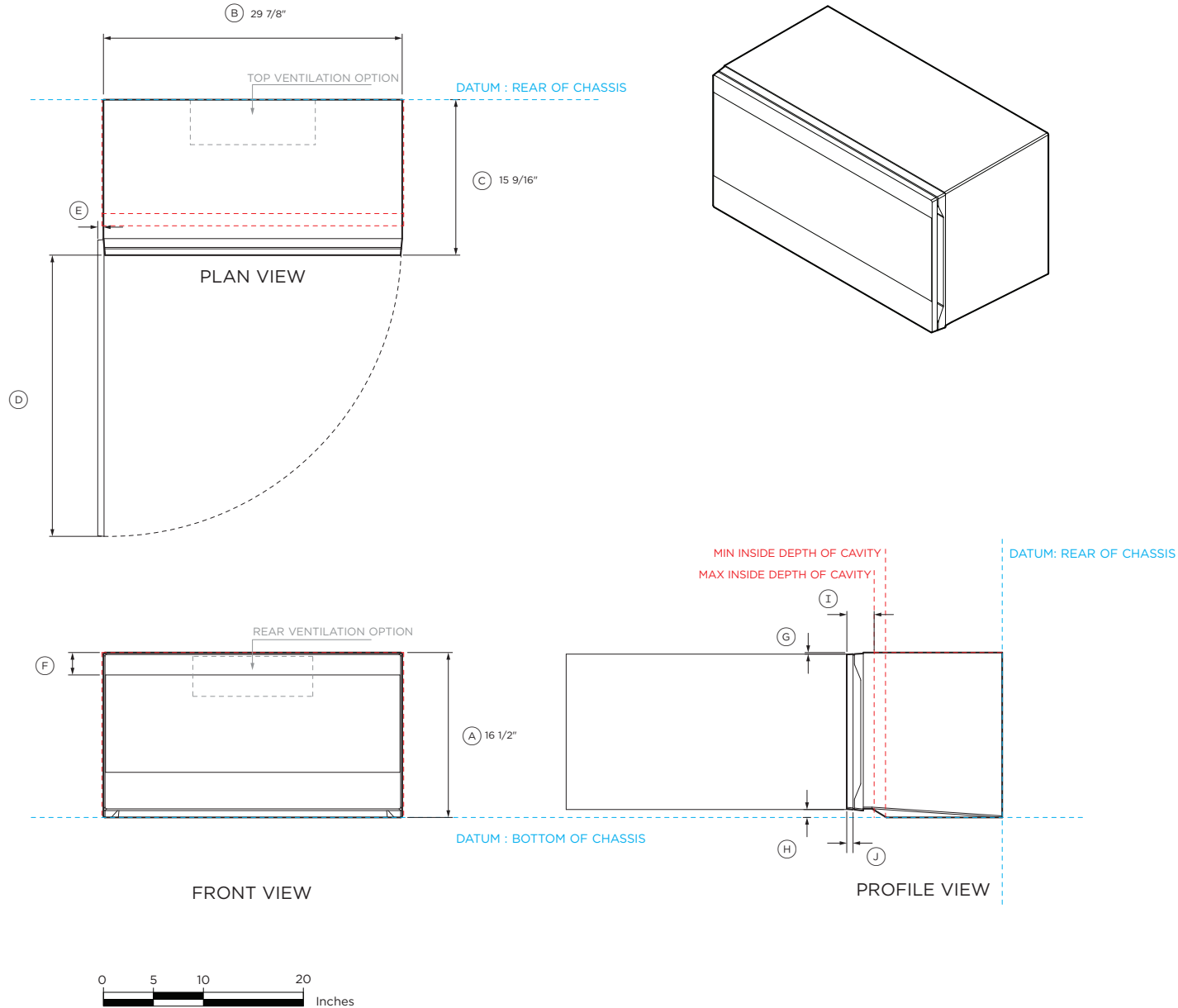
MOH30SB1
Over the Range Microwave, 30inch, 10 Function

SERIES & STYLE

Series 5
Contemporary

The models shown in this Planning Guide may not be available in all markets and are subject to change at any time. Product specifications may vary from those shown. This Planning Guide should not be used as installation guidance for any product. Further information is required to safely and correctly install the products featured here. Specific installation guidance will be available on our website fisherpaykel.com

DATA SHEET



Model no:
MOH30SB1
Over The Range Microwave Oven, 30"

Product Dimensions	Inch	mm
A Overall height of product	16 1/2	419
B Overall width of product	29 7/8	759
C Overall depth of product	15 9/16	395
D Depth of door when open (measured from front of door)	28 1/8	715
E Thickness of door when open (measured from side of chassis)	9/16	15
F Height from top of chassis to bottom of top trim	2 1/4	57
G Height from top of chassis to top of door	3/16	5
H Height from bottom datum to bottom of door	13/16	20
I Minimum depth from front of door to front of cavity	1 3/4	45
J Thickness of door handle	5/8	16

Clearances	Inch	mm
Minimum inside height of cavity	16 1/2	419
Minimum Inside width of cavity	30	762
Inside depth of cavity (excluding front panel)	min 11 max 12 5/8	min 280 max 320
Top ventilation cutout width	12 1/2	318
Top ventilation cutout depth	4 1/2	114
Rear ventilation cutout height	4	102
Rear ventilation cutout width	12	305
Rear ventilation height from top of chassis to top of cutout	3/8	10
Minimum height from bottom datum to cooking surface	13 1/2	343
Minimum height from bottom datum to floor	49 1/2	1257

Note: For full installation details please refer to our installation manual.

INDICATES PRODUCT DATUM -----
INDICATES CABINETRY CLEARANCES - - - - -

IMPORTANT NOTE: Throughout this guide, dimensions may vary by ±2mm (1/16"). Please read the Installation Guide for detailed information on installing the product. For full installation instructions visit fisherpaykel.com

