

# **INSTALLATION INSTRUCTIONS USER GUIDE**

**Standard Rangehood**

HF60LX4 and HF60LW4 model

**NZ AU**



# CONTENTS

---

|                           |    |
|---------------------------|----|
| Safety and warnings       | 3  |
| Installation instructions | 5  |
| Operating instructions    | 13 |
| Cleaning and maintenance  | 14 |
| Parts and accessories     | 16 |
| Manufacturer's Warranty   | 17 |
| Customer Care             | 19 |

---

## **IMPORTANT!**

### **SAVE THESE INSTRUCTIONS**

The models shown in this user guide may not be available in all markets and are subject to change at any time. For current details about model and specification availability in your country, please go to our website [www.fisherpaykel.com](http://www.fisherpaykel.com) or contact your local Fisher & Paykel dealer.

## **Registration**

Register your product with us so we can provide you with the best service possible.

To register your product visit our website: [www.fisherpaykel.com](http://www.fisherpaykel.com)



## SAFETY AND WARNINGS

### ⚠ WARNING!



**4.8 kg**  
(HF60)

#### Weight Hazard

The rangehood is heavy. Please ensure adequate care is taken when installing the rangehood to prevent personal injury. The rangehood must be installed onto a solid wall, stud, beam or truss. Weight of the HF60 is 4.8 kg.

### ⚠ WARNING!



#### Electric Shock Hazard

Always disconnect the appliance from the mains power supply before carrying out any maintenance or repairs. Alterations to the domestic wiring system must be made by a qualified electrician. Failure to follow this advice may result in electric shock or death.

## IMPORTANT SAFETY INSTRUCTIONS

**WARNING!** When using this appliance always exercise basic safety precautions including the following:

- Please read the entire set of instructions before installing or using this appliance.
- Please make this information available to the person installing the appliance - doing so could reduce your installation costs.
- Always switch the power off prior to installation, servicing or cleaning of the rangehood.
- This appliance must be installed and connected to the mains power supply only by a suitably qualified person according to these installation instructions and in compliance with any applicable local building and electricity regulations. Failure to install the appliance correctly could invalidate any warranty or liability claims.
- To comply with electrical safety regulations, the rangehood must be plugged into a socket near the appliance. The socket must be accessible, or have an accessible isolating switch, to enable the end user to isolate the rangehood from the power for the purpose of internal cleaning or maintenance.
- A power outlet should be within 750 mm of the motor assembly and can either be on the wall, behind the chimney or in the ceiling.
- If the supply cord of this equipment is damaged, it must only be replaced by the manufacturer, its service agent or similarly qualified person in order to avoid a hazard.
- Ducting accessories are not supplied. All ducting must comply with local requirements and building codes.
- Attention should be given to ensure that any applicable regulations concerning the discharge of exhaust air are fulfilled.
- Before connecting any pipes, consult municipal ordinances to ensure that any applicable regulations concerning the discharge of exhaust air are adhered to and request permission from the person in charge of the building.
- Exhaust air must not be discharged into an existing flue that is used for exhausting fumes from appliances burning gas or other fuels.

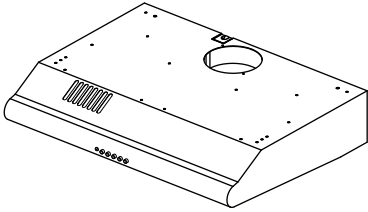
## SAFETY AND WARNINGS

---

- There shall be adequate ventilation of the room when the rangehood is used at the same time as appliances burning gas or other fuels.
- For Australia and New Zealand: Range hoods and other cooking fume extractors may adversely affect the safe operation of appliances burning gas or other fuels (including those in other rooms) due to back flow of combustion gases. These gases can potentially result in carbon monoxide poisoning. After installation of a range hood or other cooking fume extractor, the operation of flued gas appliances should be tested by a competent person to ensure that back flow of combustion gases does not occur.
- The minimum distance between the supporting surface for cooking vessels on the cooktop and the lowest part of the rangehood shall be 600 mm or 650 mm if installed over a gas cooktop.
- Stainless steel is very easily damaged during installation if abraded or knocked by tools. It is recommended to protect the top of the rangehood with cardboard or polystyrene during the installation to minimise the risk of damage occurring.
- To reduce the risk of damage occurring to the cooktop, it is recommended that the surface of the cooktop is protected with cardboard or a similar object during installation of the rangehood.
- This appliance is not intended for use by persons (including children) with reduced physical, sensory or mental capabilities, or lack of experience and knowledge, unless they have been given supervision or instruction concerning the use of the appliance by a person responsible for their safety.
- Children should be supervised to ensure they do not play with the appliance. Cleaning and user maintenance shall not be made by children without supervision.
- You must read the details concerning the method and frequency of cleaning.
- There is a fire risk if cleaning is not carried out in accordance with the instructions.
- Never leave frying food unattended since grease can overheat and catch fire. The risk of fire is even greater in the case of used oil.
- Do not flambé under the rangehood.
- Never use the rangehood without the filters in place.
- During an electrostatic discharge (ESD) it is possible that the device will stop working. By switching the device off and on the device will again work as intended.
- CAUTION: accessible parts may become hot when used with cooking appliances.
- Remove all packaging, including protective wrappings, before use.

# INSTALLATION INSTRUCTIONS

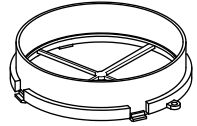
## Contents of packaging



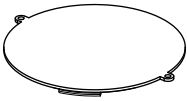
Rangehood  
(1)



Installation instructions  
User guide manual  
(1)



125 mm diameter  
ducting adapter  
(1)



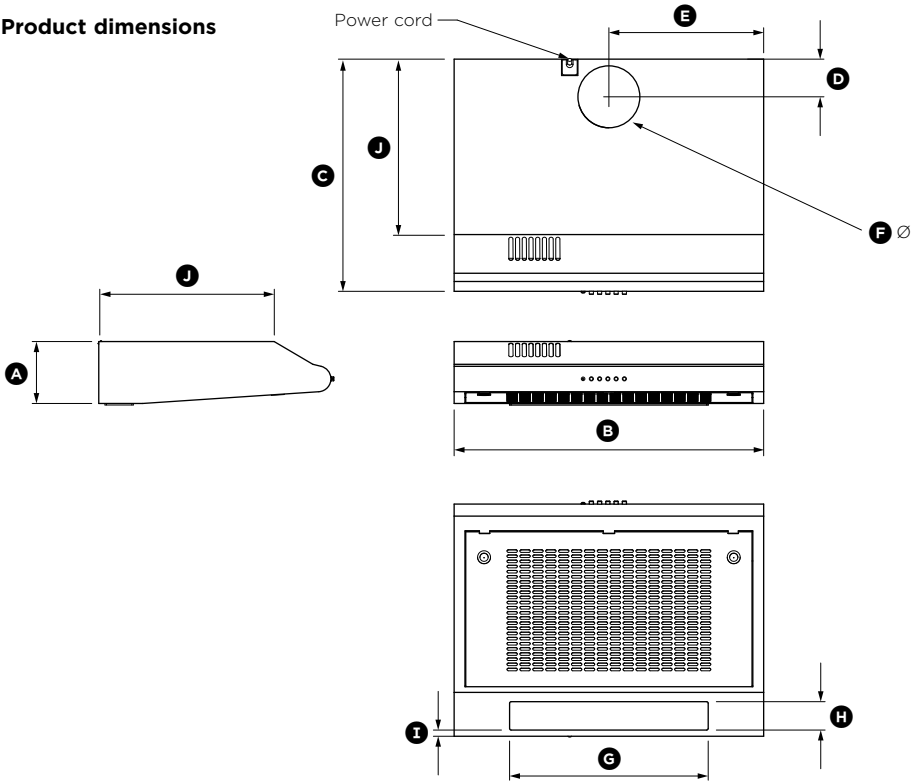
Duct hole cover  
(1)



10 mm self tapping screw  
(2)

# INSTALLATION INSTRUCTIONS

## Product dimensions



| PRODUCT DIMENSIONS  | mm  |
|---|-----|
| (A) Overall height of product                                 | 120 |
| (B) Overall width of product                                  | 595 |
| (C) Overall depth of product                                  | 450 |
| (D) Distance from centre of ducting outlet to back of product | 75  |
| (E) Distance from centre of ducting outlet to side of product | 298 |
| (F) Diameter of ducting outlet                                | 125 |
| (G) Length of light   | 385 |
| (H) Width of light  | 55  |
| (I) Distance between back of light to back of product         | 13  |
| (J) Depth of top surface of product                           | 340 |
| Length of power cord  | 900 |

## IMPORTANT!

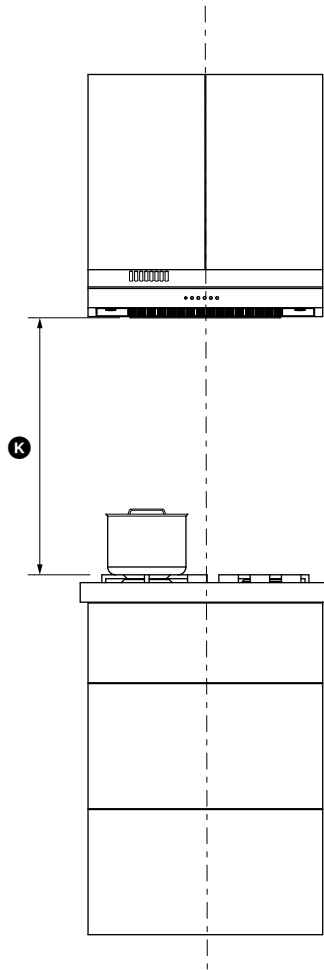
Actual product dimensions may vary by  $\pm 2$  mm.

Please read the entire instructions before installing the rangehood.



# INSTALLATION INSTRUCTIONS

## Height of rangehood



### INSTALLATION DIMENSIONS

mm

- Ⓚ Height top of cooktop to base of product  
Electric cooktop  
Gas cooktop

min. 600 – max. 750  
min. 650 – max. 750

Rangehood installation height above the cooktop is the user's preference. Lower installation heights will improve the efficiency of capturing cooking odours, grease, and smoke. This rangehood must be installed between the minimum and maximum dimensions indicated in the table above.

# INSTALLATION INSTRUCTIONS

## Venting options

Attention should be given to ensure that any applicable regulations concerning the discharge of exhaust air are fulfilled.

The rangehood can be installed to operate with the exhaust air ducted externally from the kitchen, or installed to operate with the exhaust air recirculating within the kitchen.

### Ducted

For ducted installation it is recommended that 125 mm diameter, rigid or semi-rigid ducting is used. This will require a 135 mm (min) round hole in the ceiling or wall. Care should be taken to position the hole correctly.

For optimal efficiency use the shortest and straightest duct route possible and use rigid or semi-rigid ducting for reduced noise and increased airflow. Flexible metal ducting should only be used as a last resort (ie in difficult installations) and if used ensure that it is straight and smooth and extended as much as possible.

### Recirculating

To enable the product to operate with the air recirculating, ensure the lever on the motor casing under the filter is in the recirculation position (see Fig.1) and close off the duct hole with the cover provided (see Fig.2). Purchase and install carbon filters (refer to the 'Parts and accessories' section). The rangehood will channel the air out of the vent on the front surface. The carbon filters are required to remove odours.

Note: a ducting hole is not required in the wall or ceiling if the rangehood is installed to operate with exhaust air recirculating.

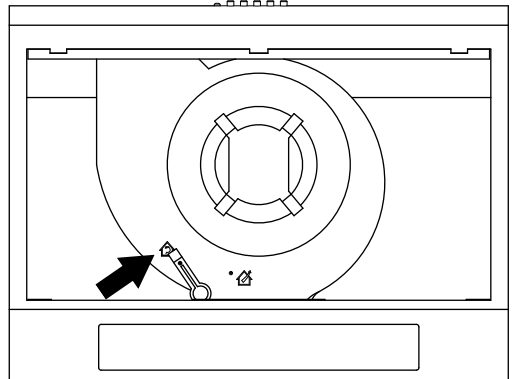


Fig.1

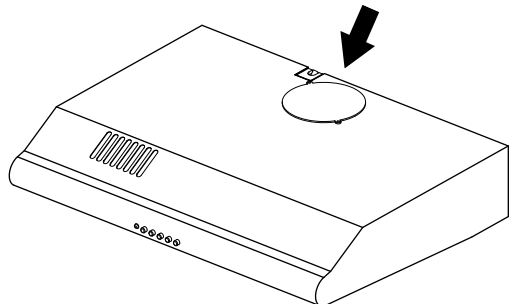


Fig.2

# INSTALLATION INSTRUCTIONS

## **WARNING!**

- **This product is heavy and requires two persons for installation.**
- **Installation work and electrical wiring must be done by qualified person(s) in accordance with all applicable codes and standards.**
- **Failure to install the screws or fixing device in accordance with these instructions may result in electrical hazards.**

## **IMPORTANT!**

**Wear gloves to protect against sharp edges.**

The manufacturer is not liable for any damage caused by not following these instructions.

## **Installation**

### ① **Preparing for installation:**

Before installing your rangehood:

- Please read the instructions carefully.
- Unpack the rangehood.
- Ensure that the voltage (V) and the frequency (Hz) indicated on the serial plate match the voltage and frequency at the installation site.
- Check that all functions are working.
- Check that the area behind the installation surface to be drilled is clear of any electrical cables or pipes, etc.
- The rangehood surfaces can be damaged during installation if grazed or knocked by tools. Please take care to protect the surfaces during installation.
- Protect the cooktop surface with cardboard, or the like, to prevent damage occurring whilst the rangehood is being installed above.
- Temporarily mark the height of the bottom of the rangehood and the centre of the cooktop on the wall according to the information given in the 'Installation instructions – Height of rangehood' section.
- The wall used for mounting the rangehood should have sufficient strength and a flat surface.

# INSTALLATION INSTRUCTIONS

## Wall Mounting

### ① Attach the rangehood mounting screws to the wall

- Attach the upper rangehood mounting screws in the locations shown in Fig.4. Use 30 mm screws (and expansion plugs if attaching to masonry). Ensure that there is a 2 mm gap between the screw head and the wall (see Fig.3).

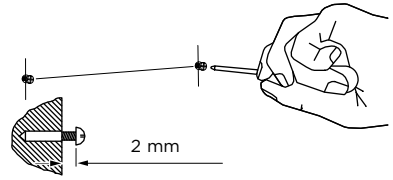


Fig.3

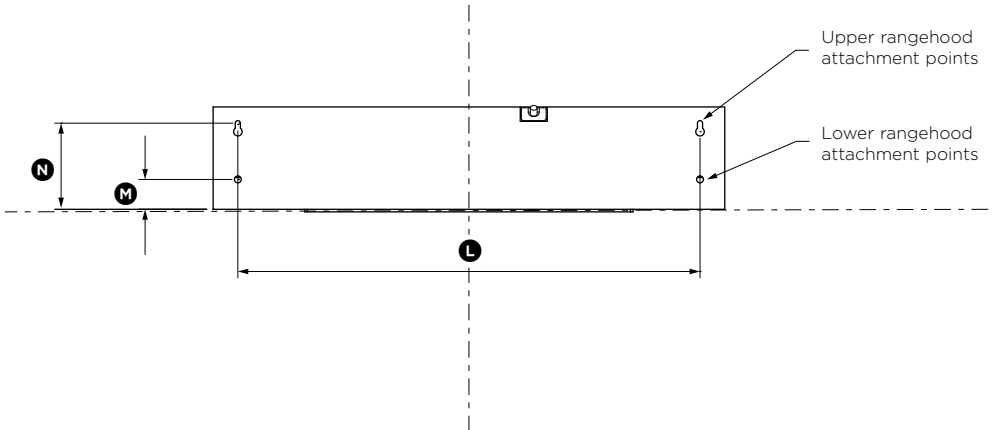


Fig.4

| PRODUCT DIMENSIONS |   | mm  |
|--------------------|---|-----|
| Ⓛ                  | Rangehood attachment point width        | 540 |
| Ⓜ                  | Lower rangehood attachment point height | 35  |
| Ⓝ                  | Upper rangehood attachment point height | 103 |

# INSTALLATION INSTRUCTIONS

## ② Wall mounting

- Remove the filter – pull the relative catch and tilt the filter downwards until it disengages from the supports (see Fig.5).

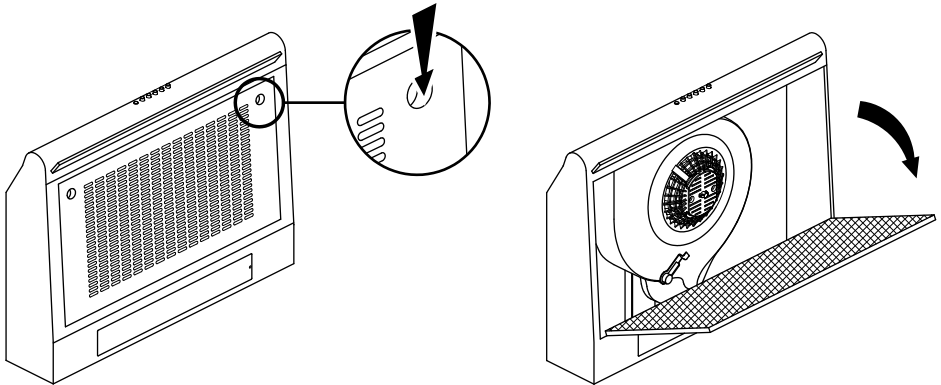


Fig.5

- Hang the rangehood off the upper rangehood mounting screws with 2 mm gap. Hang off the keyhole attachment points on the back of the rangehood (see Fig.6) then tighten the screws.

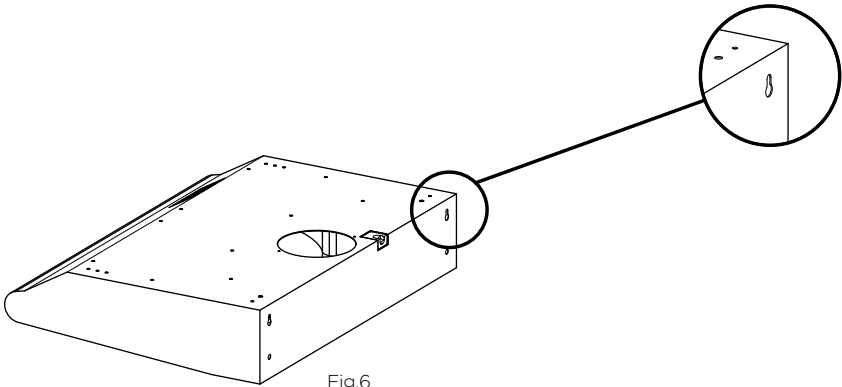


Fig.6

- Attach the lower rangehood mounting screws to fix the rangehood to the wall.
- Refit the filter.

## ③ Remove packaging

- Remove all packaging and protective wrappings.

# INSTALLATION INSTRUCTIONS

## Under cupboard mounting

### ① Attach the ducting adapter to the rangehood (if ducted)

- Place the ducting adapter onto the hood and screw it in place using 10 mm screws (see Fig.7).

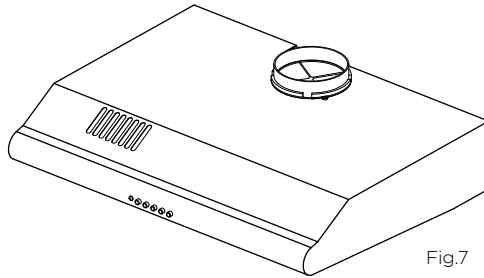


Fig.7

### ② Mount the rangehood

- Remove the filter – pull the relative catch and tilt the filter downwards until it disengages from the supports (refer to Fig.5 on page 10).
- Attach the rangehood to the cupboard using the mounting holes (refer to Fig.8 below).
- Create additional means of attachment using the extra holes found on top panel of the rangehood. Ensure all fixings are secure.
- Refit the filter.

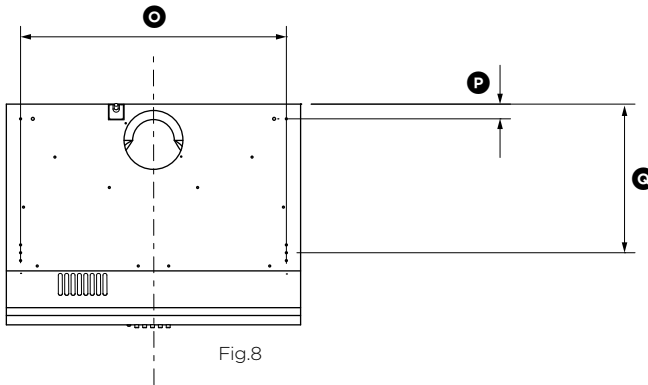


Fig.8

| PRODUCT DIMENSIONS |                                  | mm  |
|--------------------|----------------------------------|-----|
| ⓪                  | Rangehood attachment point width | 540 |
| Ⓟ                  | Rangehood rear attachment point  | 30  |
| Ⓠ                  | Rangehood front attachment point | 301 |

### ③ Attach ducting (if ducted)

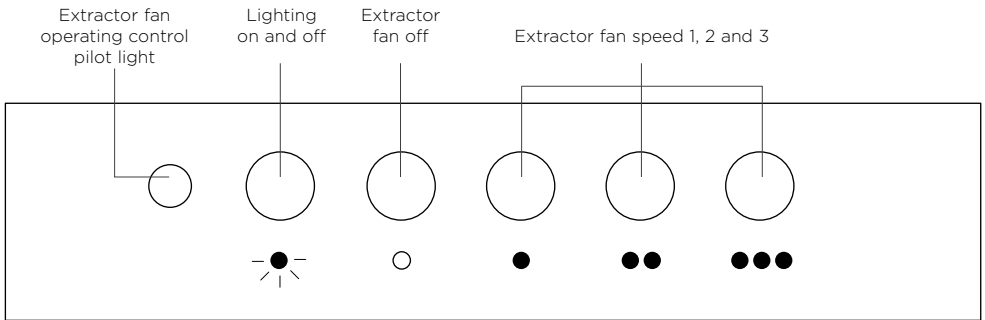
- Attach ducting to the ducting adapter using aluminium duct tape and vent outside.

### ④ Remove packaging

- Remove all packaging and protective wrappings.

# OPERATING INSTRUCTIONS

## Control panel



Note: we recommend turning your rangehood on before you start cooking for optimal performance.

## CLEANING AND MAINTENANCE

---

### **WARNING!**

Unplug or disconnect the appliance from the power supply before servicing or cleaning.

### **IMPORTANT!**

- Never use abrasive or oil based cleaners.
- Wear gloves to protect against sharp edges.

### **Maintenance**

The rangehood should be cleaned regularly using a mild, liquid detergent and a clean soft cloth to avoid a build-up of grease occurring. Avoid the use of corrosive chemicals, abrasive cleaning products, hard brushes and steel wool pads. Grease deposits are corrosive which can cause damage to your rangehood.

Note: in areas of high humidity or coastal environments, cleaning should be carried out more frequently.

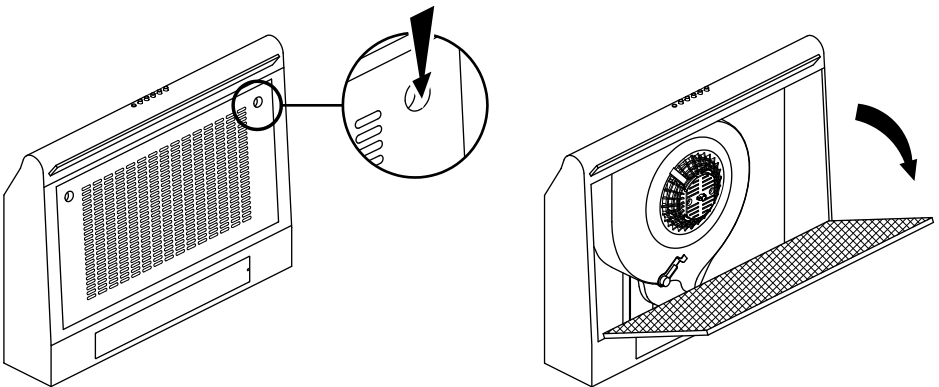
### **Aluminium filters**

- Depending on use, and at least once a month, the aluminium grease filter should be removed and cleaned with hot soapy water or in a dishwasher.
- If washed in a dishwasher, the filter should be placed in an upright position to prevent food from falling on it.
- After rinsing and drying, refit the filters.

Note: some discolouration of the frames may occur.

### **Removing the aluminium filters:**

- ① Pull the relative catch, tilting the filter downwards until it disengages from the supports.
- ② Reverse these instructions when refitting the filters.





## CLEANING AND MAINTENANCE

---

### **WARNING!**

When replacing the bulb, let the bulb cool, and assure that power to the light has been turned off. Use new bulbs according to that indicated on the rangehood nameplate.

### **IMPORTANT!**

- Use bulbs with an aluminium reflector to replace halogen bulbs. Do not use dichroic bulbs – there is a risk of overheating.
- On rangehoods equipped with tungsten lamps, the lights should only be used during operation of the motor. They should not be left on permanently and used as a light source.

### **Carbon filters – for use in recirculation mode**

Active carbon filters are disposable items designed to remove grease and odours from cooking vapours before the air is channelled back into the kitchen. The active carbon filters must be replaced periodically to work properly, at least every three months, depending on the frequency with which the rangehood is used.

Note: fully saturated carbon filters can become a barrier to air movement therefore limiting rangehood performance. In the event of fire, grease laden filters could be flammable and therefore regular replacement is recommended.

### **Replacing the light bulb**

Note: replacement bulbs are not covered by warranty.

- ① Remove aluminium grease filter.
- ② Replace light bulb with a light bulb no more powerful than that specified.
- ③ Refit the aluminium filter.

## PARTS AND ACCESSORIES

| <b>ITEM</b>                 | <b>REFERENCE NUMBER</b> |
|-----------------------------|-------------------------|
| Light bulb                  | 792507                  |
| Aluminium filter            | 792512                  |
| Recirculation carbon filter | 792506                  |
| Ducting kit 125 mm (eaves)  | PD-RHK125E              |
| Ducting kit 125 mm (wall)   | PD-RHK125W              |

# MANUFACTURER'S WARRANTY

---

You automatically receive a 2 year Manufacturer's Warranty with the purchase of this rangehood covering parts and labour for servicing within the country of purchase.

## **Fisher & Paykel undertakes to:**

Repair or, at its option, replace without cost to the owner either for material or labour any part of the product, the serial number of which appears on the product, which is found to be defective within TWO YEARS of the date of purchase.

Note: this Manufacturer's Warranty is an extra benefit and does not affect your legal rights.

## **This Manufacturer's Warranty DOES NOT cover**

- Ⓐ Service calls which are not related to any defect in the product. The cost of a service call will be charged if the problem is not found to be a product fault. For example:
  - ① Correcting the installation of the product.
  - ② Instructing you how to use the product.
  - ③ Replacing house fuses or correcting house wiring or plumbing.
  - ④ Correcting fault(s) caused by the user.
  - ⑤ Noise or vibration that is considered normal, eg drain/fan sounds, refrigeration noises or user warning beeps.
  - ⑥ Correcting damage caused by pests, eg rats, cockroaches, etc.
  - ⑦ Replacement light bulbs.
- Ⓑ Defects caused by factors other than:
  - ① Normal domestic use; or
  - ② Use in accordance with the product's user guide.
- Ⓒ Defects to the product caused by accident, neglect, misuse or 'act of God'.
- Ⓓ The cost of repairs carried out by non-trained and supported service technicians or the cost of correcting such repairs.
- Ⓔ Normal recommended maintenance as set out in the product's user guide.
- Ⓕ Repairs when the appliance has been dismantled, repaired or serviced by other than a Fisher & Paykel trained and supported service technician or the selling dealer.
- Ⓖ Pick-up and delivery.
- Ⓗ Transportation or travelling costs involved in the repair when the product is installed outside the Fisher & Paykel trained and supported service technician's normal service area.

Nothing in this Manufacturer's Warranty is intended to, or does, limit any rights you may have under law to recover the costs of inspecting or returning the goods to us.

This product has been designed for use in a normal domestic (residential) environment. This product is not designed for any commercial use (whatsoever). Any commercial use by a customer will affect this product's Manufacturer's Warranty.

Service under this Manufacturer's Warranty must be provided by a Fisher & Paykel trained and supported service technician (refer to the 'Customer Care' section at the back of this book). Such service shall be provided during normal business hours. This Manufacturer's Warranty certificate should be shown when making any claim.

# MANUFACTURER'S WARRANTY

---

## **For Australian Customers**

This Manufacturer's Warranty is an extra benefit and does not affect your legal rights. Our goods come with guarantees that cannot be excluded under the Australian Consumer Law. You are entitled to a replacement or refund for a major failure and compensation for any other reasonably foreseeable loss or damage. You are also entitled to have the goods repaired or replaced if the goods fail to be of acceptable quality and the failure does not amount to a major failure.

**Please keep this user guide in a safe place.**

# CUSTOMER CARE

---

## **Before you call for service or assistance...**

Check the things you can do yourself. Refer to the installation instructions and your user guide and check that:

- ① Your product is correctly installed.
- ② You are familiar with its normal operation.

If after checking these points you still need assistance or parts, please refer to your nearest Fisher & Paykel trained and supported service technician, Customer Care, or contact us through our website [www.fisherpaykel.com](http://www.fisherpaykel.com).

## **In New Zealand if you need assistance...\***

Call your Fisher & Paykel retailer who is trained to provide information on your appliance, or if we can be of any further help, please contact our Customer Care Centre.

**Toll Free:** 0800 FP CARE or 0800 372 273

**Fax:** (09) 273 0656

**Website:** [www.fisherpaykel.com](http://www.fisherpaykel.com)

**Postal address:** Fisher & Paykel Appliances Ltd, PO Box 58550, Botany, Auckland 2163

## **If you need service...\***

Fisher & Paykel has a network of Fisher & Paykel trained and supported service technicians that can carry out any service necessary on your appliance. Our Customer Care Centre can recommend a Fisher & Paykel trained and supported service technician in your area.

## **In Australia if you need assistance...\***

Call the Fisher & Paykel Customer Care Centre and talk to one of our Customer Care Consultants.

**Toll Free:** 1300 650 590

**Fax:** (07) 3826 9298

**Website:** [www.fisherpaykel.com](http://www.fisherpaykel.com)

**Postal address:** Fisher & Paykel Appliances Australia Pty Ltd, PO Box 798, Cleveland QLD 4163

## **If you need service...\***

Fisher & Paykel has a network of Fisher & Paykel trained and supported service technicians that can carry out any service necessary on your appliance. Our Customer Care Centre can recommend a Fisher & Paykel trained and supported service technician in your area.

\*If you call, write or contact us via our website please provide: your name and address, model number, serial number, date of purchase and a complete description of the problem. This information is needed in order to better respond to your request for assistance.

**Product details can be found under the aluminium filter.**

## **Registration**

Register your product with us so we can provide you with the best service possible. To register your product visit our website: [www.fisherpaykel.com](http://www.fisherpaykel.com)

## CUSTOMER CARE

---

Complete and keep for safe reference:

Model \_\_\_\_\_

Serial No. \_\_\_\_\_

Purchase Date \_\_\_\_\_

Purchaser \_\_\_\_\_

Dealer \_\_\_\_\_

Suburb \_\_\_\_\_

Town \_\_\_\_\_

Country \_\_\_\_\_



**FISHERPAYKEL.COM**

© Fisher & Paykel Appliances 2022. All rights reserved.

The models shown in this guide may not be available in all markets  
and are subject to change at any time.

The product specifications in this guide apply to the specific products and  
models described at the date of issue. Under our policy of continuous product  
improvement, these specifications may change at any time.

For current details about model and specification availability in your country,  
please go to our website or contact your local Fisher & Paykel dealer.

**104034C 05.22**