

FISHER & PAYKEL

COMBINATION STEAM OVEN

MINIMAL

OS60NMTDB1, OS60NMTDG1, OS60NMLB1 & OS60NMLG1

CONTEMPORARY

OS60NDTDX1, OS60NDLX1

INSTALLATION GUIDE

NZ AU BI

⚠ WARNING!



Electric Shock Hazard

Failure to follow this advice may result in electric shock or death.

- Before carrying out any work on the electrical section of the appliance, it must be disconnected from the mains electricity supply.
- Connection to a good earth wiring system is absolutely essential and mandatory.
- Alterations to the domestic wiring system must only be made by a qualified electrician.

⚠ WARNING!



Fire Hazard

Failure to follow this advice may result in overheating, burning, and injury.

- Do not use adapters, reducers, or branching devices to connect this appliance to the mains power supply.

⚠ WARNING!



Cut Hazard

Failure to use caution could result in injury.

- Take care: some edges are sharp.

READ AND SAVE THIS GUIDE

WARNING!

To avoid hazard, follow these instructions carefully before installing or using this appliance.

- Please make this information available to the person installing the appliance—doing so could reduce your installation costs.
- This appliance must be installed and connected to the mains power supply only by a suitably qualified person according to these installation instructions and in compliance with any applicable local building and electricity regulations. Failure to install the appliance correctly could invalidate any warranty or liability claims.
- If the power supply cable is damaged, it must be replaced by the manufacturer, its service agent or similarly qualified person in order to avoid a hazard.
- Isolating switch: make sure this oven is connected to a circuit which incorporates an isolating switch providing full disconnection from the power supply in accordance with the wiring rules.
- The oven must be earthed.
- Do not use adapters, reducers or branching devices to connect the oven to the mains electricity supply, as they can cause overheating and burning.
- The appliance must not be installed behind a decorative door in order to avoid overheating.
- Please take extra care not to damage the lower trim of the oven during installation. The trim is important for correct air circulation and allows the door to open and close without obstruction. The manufacturer does not accept any responsibility for damage resulting from incorrect installation.

PRIOR TO INSTALLATION

Ensure that:

- The oven cavity is square and level based on the required dimensions
- The installation will comply with all clearance requirements and applicable standards and regulations
- The isolating switch will be easily accessible to the customer with the oven installed
- The electrician provides sufficient free length of power supply cable to reach from the bottom rear of the cavity to at least 1.5m in front of the bottom edge of the opening
- The cable may enter the cavity from the side, top or bottom, but top entry must be at the rear of the cavity
- The oven connection socket is outside the cavity if the oven is flush to the rear wall
- The oven will rest on a surface that can support its weight
- The height from the floor suits the customer
- You consult local building authorities and by-laws if in doubt regarding installation

IMPORTANT!

Some environmental factors and cooking habits can cause condensation in and around the oven during use. To protect surrounding cabinetry from possible damage caused by frequent or excessive condensation, we recommend moisture-proofing the oven cavity.

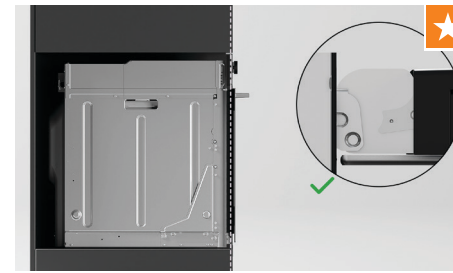
AFTER INSTALLATION

Ensure that:

- The oven door can open fully without obstruction
- The oven is not sealed into the cabinetry with silicone or glue. This makes future servicing difficult. Fisher & Paykel will not cover the costs of removing the oven, or of damage caused by this removal
- The power supply cable does not touch any hot metal parts
- The isolating switch is easily accessible to the customer with the oven installed
- You complete the 'Installer checklist' at the end of the installation
- There is enough clearance for opening and closing operation of the moving control panel.

If, after following the guidance given, correct performance cannot be achieved, please contact your nearest Fisher & Paykel trained and supported service technician, Customer Care, or contact us through our website fisherpaykel.com

INSTALLATION MILESTONES



Milestone indicator

These milestones represent areas throughout that are pivotal to an optimal installation outcome. These steps require additional installer attention and should be quality checked once completed.

MILESTONE LINKS



Ensure both hinges are fully locked before shutting the door.



Align oven with surrounding cabinetry and appliances.

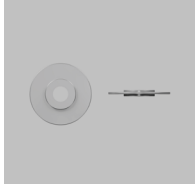
COMPONENTS

PARTS

Supplied



Screws (2)



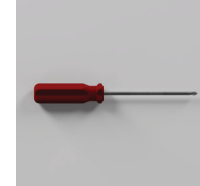
Metal side shelves
fixing nut (2)

TOOLS

Not supplied

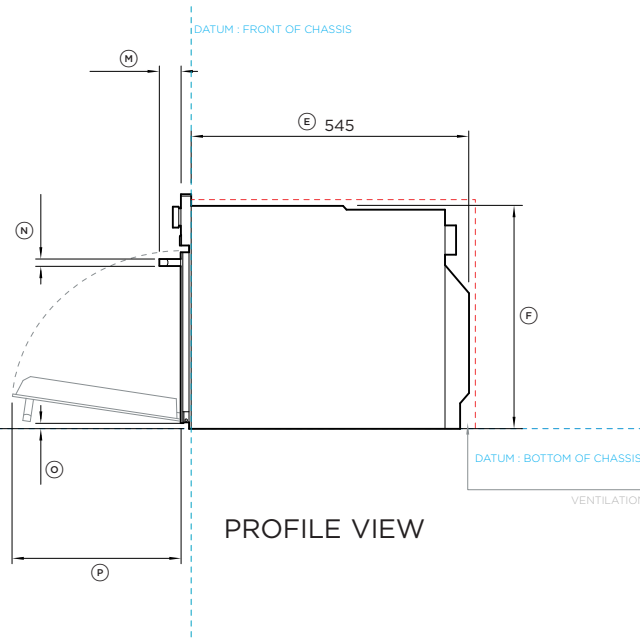
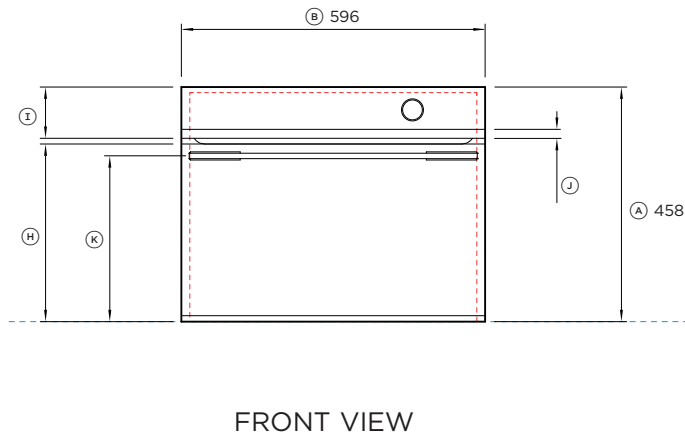
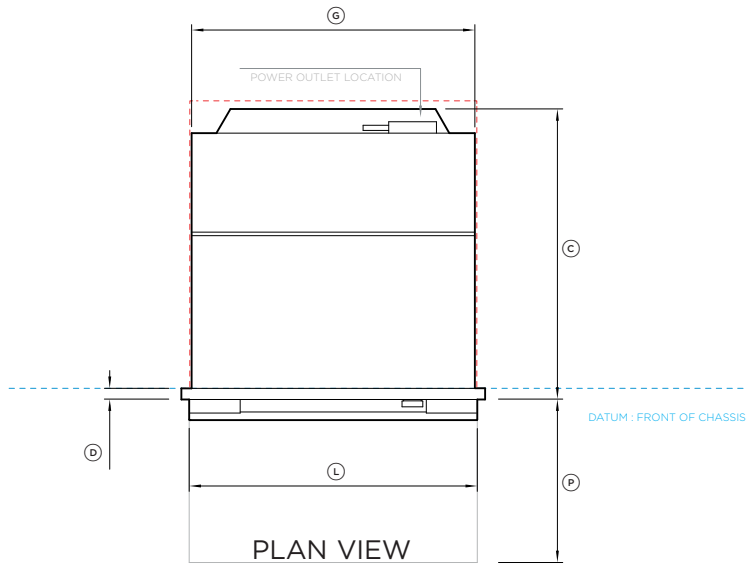


Powered driver



Cross-head
screwdriver

PRODUCT DIMENSIONS



| Product Dimensions | mm |
|--|-----|
| Ⓐ Overall height of oven | 458 |
| Ⓑ Overall width of oven | 596 |
| Ⓒ Overall depth of oven (excludes handle and front metal trim) | 565 |
| Ⓓ Depth of oven frame, control panel and door (excludes handle and front trim) | 20 |
| Ⓔ Depth of chassis (includes terminal block) | 545 |
| Ⓕ Height of chassis | 435 |
| Ⓖ Width of chassis | 556 |
| Ⓜ Height from bottom datum to top of oven door | 347 |
| Ⓣ Height of control panel | 100 |
| Ⓝ Height of metal cap on control panel | 20 |
| Ⓢ Height from bottom datum to centerline of handle | 324 |
| Ⓛ Width of handle | 565 |
| Ⓝ Depth of handle (measured from front of door) | 42 |
| Ⓝ Thickness of handle | 16 |
| Ⓢ Distance from bottom datum to bottom of door glass | 12 |
| Ⓢ Depth of door (open) (measured from front of door) | 320 |

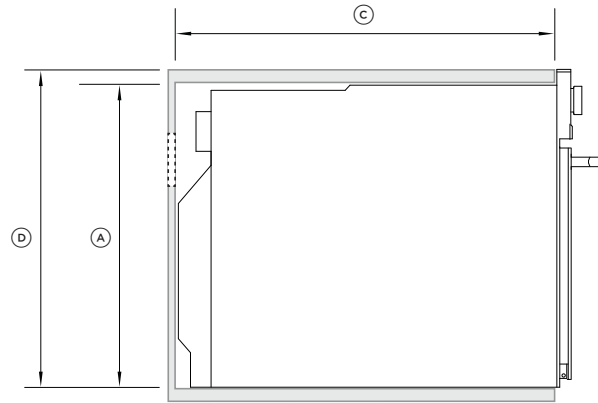
| Minimum Clearances | mm |
|---|-----|
| Minimum inside height of cavity | 440 |
| Minimum inside width of cavity | 560 |
| Minimum inside depth of cavity | 550 |
| Overall height of cabinetry (cavity around front frame) | 460 |
| Overall width of cabinetry (cavity around front frame) | 600 |
| Rear ventilation air vent depth* | 50 |
| Rear ventilation air vent width* | 560 |

*A rear ventilation air vent totalling 280cm² is required. The air vent must be located at the rear of the cabinet, it can be positioned at the base, sides, back or top of the cavity.

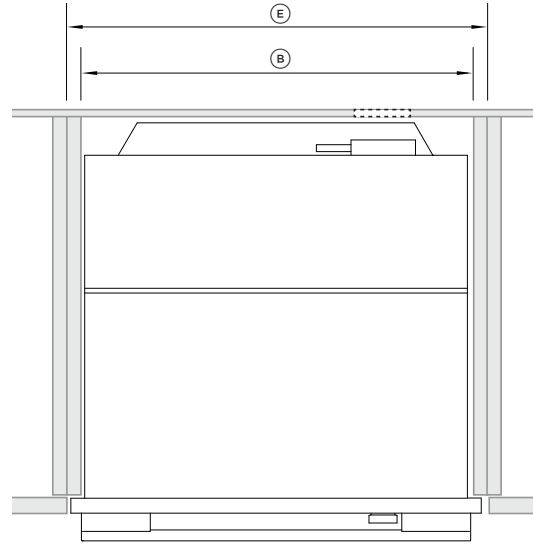
IMPORTANT NOTE: Throughout this guide, dimensions may vary by ±2mm

INDICATES PRODUCT DATUM -----
 INDICATES CABINETRY CLEARANCES -----

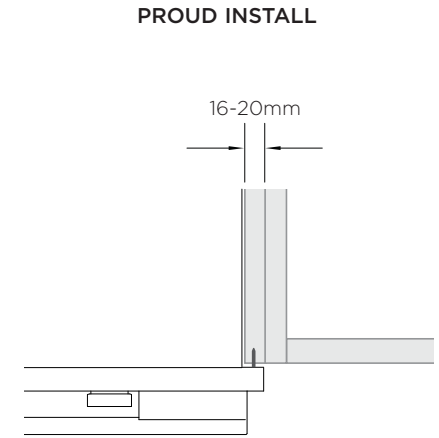
CABINETY DIMENSIONS



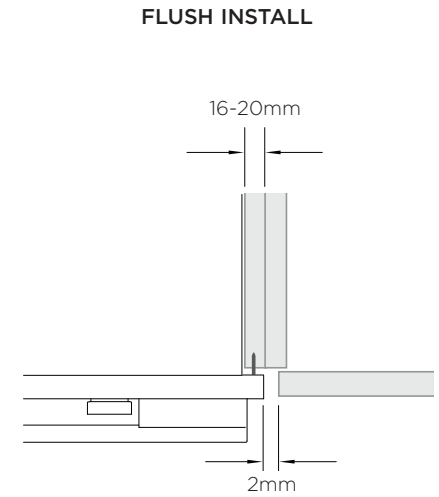
PROFILE



PLAN



PROUD INSTALL



FLUSH INSTALL

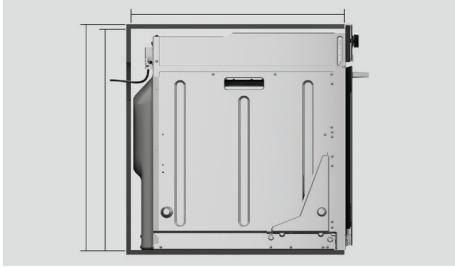
| CABINETY DIMENSIONS | OS60N |
|---|--------------|
| | MM |
| (A) Minimum inside height of cavity | 440 |
| (B) Minimum inside width of cavity | 560 |
| (C) Minimum inside depth of cavity | 550 |
| (D) Overall height of cabinetry (cavity around front frame) | 460 |
| (E) Overall width of cabinetry (cavity around front frame) | 600 |

If installing a cooktop above the oven, ensure adequate clearance is provided as per the cooktop manufacturer's instructions.

Ensure a 5mm minimum clearance is maintained between the top of the oven chassis and the cabinetry. Ensure the oven is not bearing any weight from cabinetry or products installed above.

CHECK CAVITY

①



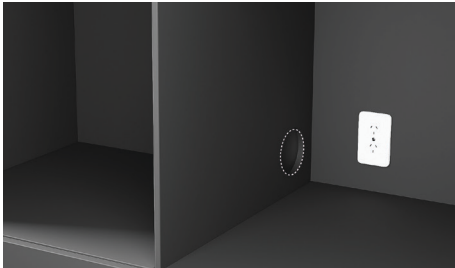
Measure cavity dimensions. Ensure all minimum specifications have been met. Refer to page 6.

②



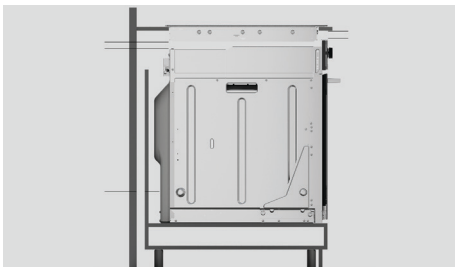
For dark cabinetry, ensure clashing has been considered and installed.

③



Ensure service access complies with local requirements. Refer to page 9 for details.

④



Ensure any cooktop ventilation requirements have been considered.

UNPACK PRODUCT

- Do not lift or move the product using the handle.
- Keep all packing materials until the unit has been inspected.
- Inspect the product to ensure there is no shipping damage. If any damage is detected contact the dealer or retailer you brought the product from to report the damage.
- Fisher & Paykel is not responsible for shipping damage.

①



Cut all straps and remove the carton top cap.

②



Lift the carton sleeve and remove any transit packaging.

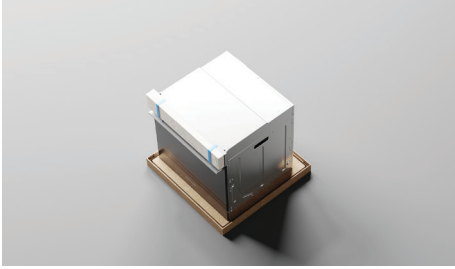
③



Set aside any accessories.

UNPACK PRODUCT

④



Remove all control panel packaging. The control panel can be moved manually as needed. Take care when handling.

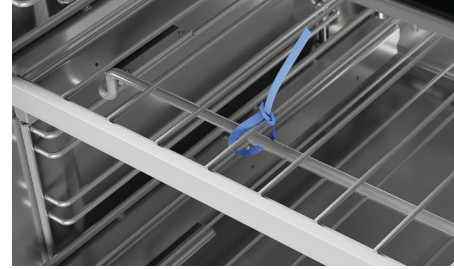
⑤



Dispose responsibly.

REMOVE DOOR

①



Open the door and remove all cable ties and packaging holding the oven shelves in place.

②



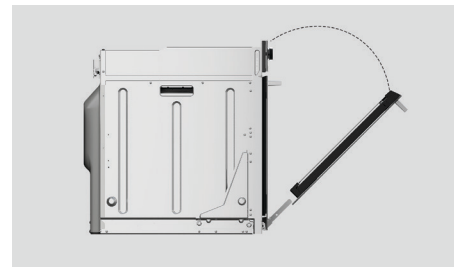
Grip the shelves at the front, making sure to hold the wire shelf and frame together. Lift upwards and pull out from the oven.

③



Locate the hinge locks on either side of the door. Push the locks upwards to release.

④



Holding the door on both sides, partially close the door and carefully pull the door away from the hinges.

CONNECT POWER

- This oven must be connected to the mains power supply only by a suitably qualified person.
- This oven must be earthed.

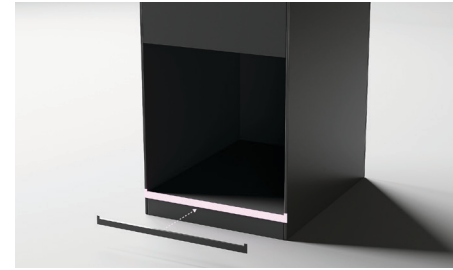
Before connecting the oven to the mains power supply, check that:

the domestic wiring system is suitable for the power drawn by the oven (as specified on the rating plate)

the voltage corresponds to the value given on the rating plate.

| MODEL CODE | MAX POWER (W) | HZ | VOLTAGE (V) | AMPS (A) |
|------------|---------------|---------|--------------|-------------|
| OS60N | 2800 - 3300 | 50 - 60 | 220 - 240 V- | 12.8 - 13.8 |

POSITION OVEN INTO CAVITY



①

Some models only*:

For dark cabinetry, the supplied trim can be used to enhance clashing finish.

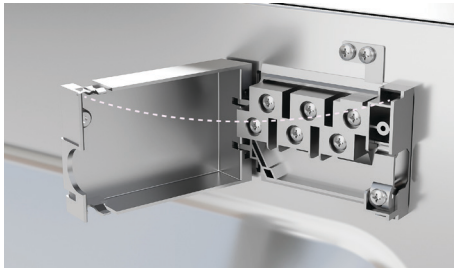
To install, remove the trim adhesive and press to secure to cavity.



②

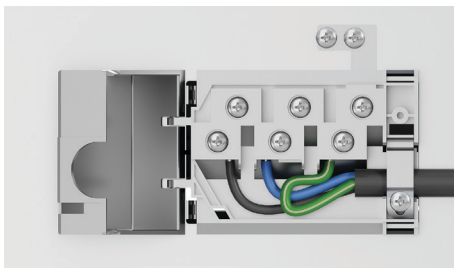
Ensure control panel is closed. Lift product into cavity taking care not to lift from the control panel.

①



Unclip and lift cover to access terminal block.

②

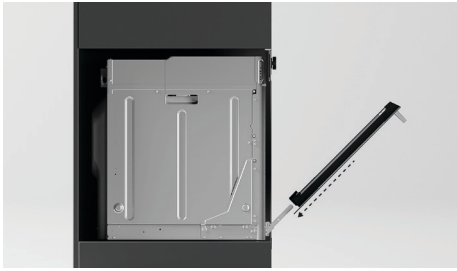


Connect to terminal block as shown. Ensure oven is correctly Earthed and cable clamp is tightened before closing the cover.

*Model code 565880. To purchase cabinetry trim as an optional accessory, visit fisherpaykel.com

REFIT DOOR

①



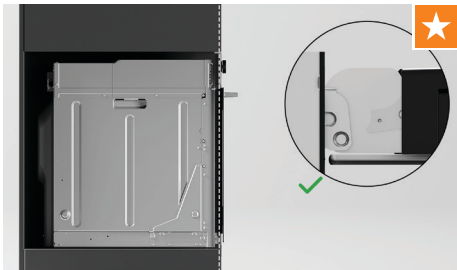
Holding the door on both sides, carefully lift door back onto the hinges.

②



Open the door fully and push each locking lever down and lock into place.

③



Ensure both hinges are fully locked before shutting the door.

ALIGN AND SECURE

①



Align oven with surrounding cabinetry and appliances.

②



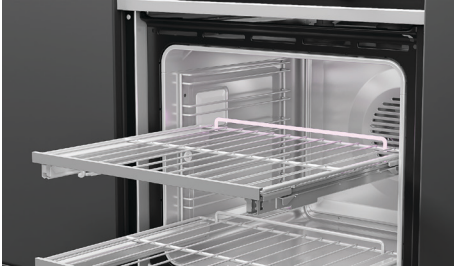
Using the product as a guide, pre-drill 2 x 3mm pilot holes.

③



Secure oven to cavity using the 2 x #7x13 pan head screws provided.

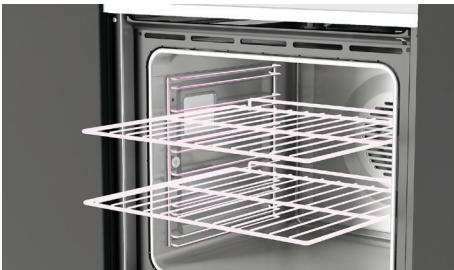
REFIT SHELVES



Sliding shelves

Place shelves back into the oven at the desired level.

Ensure shelves are level and correctly positioned with the guard rail at the back.



Wire shelves

Slide shelves into the cavity.



Clip on sliding shelf supports

Ensure the slides are positioned the correct way around, with the triangular tab at the front.

Fit the top clips over the side rack. The front clip should be fitted as close to the front of the side rack as possible. Make sure the rear clip has engaged.

Click the bottom clips into place.

TEST OVEN



Follow the guidance on screen to ensure oven turns on and heats correctly.

Refer to your User Guide for more information.

INSTALLER CHECKLIST

TO BE COMPLETED BY THE INSTALLER

- Ensure the oven is level and securely fitted to the cabinetry.
- Open the oven door slowly until it is fully open and check there is adequate clearance between the bottom of the door and the lower trim.
This is to ensure correct air circulation. Should the lower trim become damaged, straighten the trim and ensure the oven door opens fully without obstruction.
- Ensure all internal packaging (including the circular yellow packing retainers holding the accessory box in place) is removed.
- Ensure all oven vents and openings are clear and free of any obstruction or damage.

Failure to make sure all oven vents are clear may result in poor product performance.
- Ensure the isolating switch is accessible by the customer.

Complete and keep for safe reference:

Model _____

Serial No. _____

Purchase Date _____

Purchaser _____

Dealer Address _____

Installer's Name _____

Installer's Signature _____

Installation Company _____

Installation Date _____

FISHERPAYKEL.COM

© Fisher & Paykel Appliances 2023. All rights reserved.

The models shown in this guide may not be available in all markets
and are subject to change at any time.

The product specifications in this guide apply to the specific products and
models described at the date of issue. Under our policy of continuous product
improvement, these specifications may change at any time.

For current details about model and specification availability in your country,
please go to our website or contact your local Fisher & Paykel dealer.

90002692A 08.22