

Series 5, Integrated Dishwasher

Series 5 | Integrated

Panel Ready



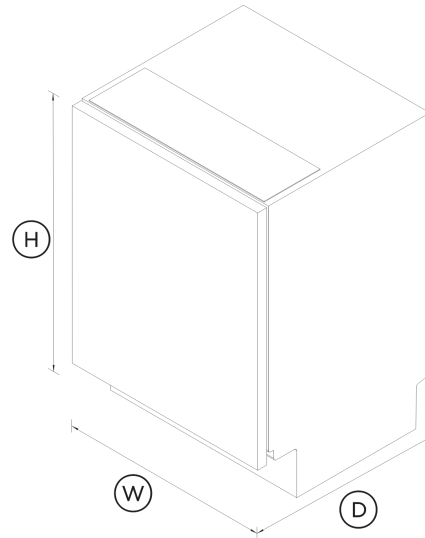
Designed to be integrated seamlessly into your cabinetry, this dishwasher delivers extra wash options and Auto Door Open Dry.*

- Customise with your own front panel and handle to match your kitchen cabinetry
- Seven wash programs from Heavy to Light, including Auto and 60min
- Dry+, Sanitise and Half Load modifiers provide extra wash options

- Wi-Fi enabled and works with the SmartHQ™ app for remote control and notifications

DIMENSIONS

Height	820 - 880 mm
Width	598 mm
Depth	554 mm



FEATURES & BENEFITS

Seamless Integration

Customise your dishwasher with a panel and handle matching your cabinetry, for a seamless finish in your kitchen.

Effortless Drying

For beautifully dry dishes every time, this dishwasher features an advanced drying system. It combines fan-assisted drying with an automatic door opening at the cycle's end. The Auto Door Open Dry feature releases excess steam, ensuring dishes are immediately ready for use or storage. An innovative air curtain channels the steam away from the adjacent benchtop, protecting your cabinetry.

A Reliable Clean

This dishwasher offers seven wash programs including Auto, which automatically senses the optimal wash settings for your dishes. The three-stage filtration system delivers a superior clean, while the rinse aid indicator reminds you to top up for beautifully clean dishes.

Customise Your Wash

The Half Load modifier is perfect for washing a partial load, for faster turnaround of dishes. Sanitise provides extra protection, killing 99.9% of bacteria* in the final rinse, while the Dry+ modifier is great for plastic dishes. *Certified to NSF/ANSI Standard 184

Efficient Performance

With a 4 star energy rating and 5 star water rating, this dishwasher delivers a powerful wash. Use the Eco wash program for optimal water and energy consumption, or choose when the cycle begins with Delay Start.

Flexible Loading

Designed to fit 15 place settings with ease, adjustable racks help you to load and care for various items - including a height-adjustable upper basket, and foldable cup holders and tines.

SPECIFICATIONS

Accessories (included)

- Cutlery basket

Kickstrip	true	In-use energy carbon emissions estimate	160.2kgCO2e/year	Amperage	10A
<hr/>		Water consumption (per wash cycle)	12.6L	Supply frequency	50Hz
Accessories (sold separately)		Water rating	5 star (WELS)	Supply voltage	220 - 240V
<hr/>		Controls		Product dimensions	
Door panel black stainless steel	ADDW60PB	Energy saving delay start option of up to 12 hours	•	Depth	554 mm
Door panel stainless steel	ADDW60PX	Intuitive capacitive touch controls	•	Height	820 - 880 mm
Handle kit Classic	AHCL-DDDW-24X	Keylock	•	Width	598 mm
Handle kit Contemporary round, aluminium	AHS-OBDD-60S	Rinse aid indicator light	•	<hr/>	
Handle kit Contemporary square fine, aluminium	AHD5-OBDD-60SX	Smart appliance	•	Warranty	
Handle kit Contemporary square fine, black	AHD5-OBDD-60SB	<hr/>		Parts and labour	2 years
Handle kit Contemporary square, aluminium	AHD3-OBDD-60S	Features		<hr/>	
Handle kit Contemporary square, black	AHD3-OBDD-60B	Air curtain for bench protection	•	Wash Program Modifiers	
Handle kit Professional round flush	AHP3-DWDD-60S	Aquastop	•	Dry +	•
<hr/>		Auto Door Open Dry	•	Half load	•
Capacity and loading		Flood protection	•	Sanitise	•
Accommodates round plates up to (lower basket)	320mm	Fully independent spray arms	•	Wash modifiers	3
Accommodates round plates up to (top basket)	250mm	Internal tub material	Stainless Steel	<hr/>	
Adjustable height, foldable cupracks	•	Motor type	Asynchronous	Wash Programs	
Easy lift adjustable upper basket	•	ThermoDry system	•	60 min	•
Fold down tines	•	Three-stage filtration system	•	Auto	•
Place settings	15	<hr/>		Eco	•
Place settings	15	Performance		Heavy	•
<hr/>		Noise emissions	46 dBA	Light	•
Consumption		<hr/>		Medium	•
Energy rating	4 star	Power requirements		Rinse	•
Energy usage	246kWh/year	<hr/>		Wash programs	7
<hr/>		<hr/>		<hr/>	

Water connection

Water pressure	30kPa - 1000 kPa
Water supply	3/4" BSP (20mm) Connector Water Inlet Hose

SKU 82431

The product dimensions and specifications in this page apply to the specific product and model. Under our policy of continuous improvement, these dimensions and specifications may change at any time. You should therefore check with Fisher & Paykel's Customer Care Centre to ensure this page correctly describes the model currently available. © Fisher & Paykel Appliances Ltd 2020

Other product downloads available at fisherpaykel.com

- [↓](#) Door Template
- [↓](#) Energy & Water Label
- [↓](#) Service & Warranty
- [↓](#) Installation Guide Built-Under Dishwasher
- [↓](#) User Guide Dishwasher
- [↓](#) Wash Program Data Dishwasher

Where applicable:

All appliances use energy, and energy usage typically generates carbon emissions. **Fisher & Paykel Appliances' In-use Energy Carbon Emissions Estimate** indicates carbon emissions from a product's in-use energy. This is calculated either annually or per cycle, using the product's market-specific energy label energy consumption data multiplied by the carbon emissions factor for energy in your country or region.

Our In-use Energy Carbon Emissions Estimate is designed to assist customers in making informed purchasing decisions when comparing different Fisher & Paykel products. For example, a heat pump dryer typically has a lower In-use Energy Carbon Emissions Estimate than a vented dryer.



A PEACE OF MIND SALE
24 Hours 7 Days a Week Customer Support
T 1300 650 590 Wwww.fisherpaykel.com