

Built-in Coffee Maker, 60cm

Series 9 | Contemporary

Stainless Steel

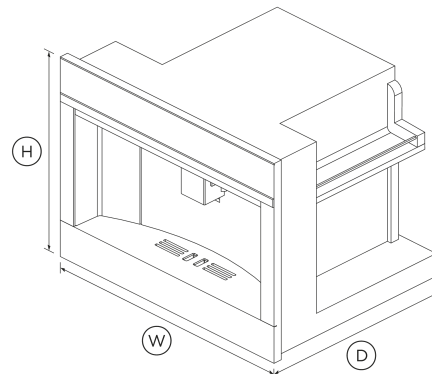


Our built-in coffee maker pours a delicious coffee, however you take it. Pairs perfectly with 60cm ovens and companion products.

- Barista-standard coffee just the way you like it, with 13 options from Flat White to Latte or Americano
- Your favourite coffee can be memorized and set to start at the same time each day, so it's ready when you are
- With self-cleaning function for an effortless clean
- Part of our suite of companion products, designed to match aesthetically for flexible configurations.

DIMENSIONS

Height	458 mm
Width	596 mm
Depth	480 mm



FEATURES & BENEFITS

Coffee Choice

Your Coffee Maker has 13 different choices to suit your taste and selection – from Espresso to Latte and more.

Self-Cleaning

The Coffee Maker has a self-cleaning function. It comes with a removable drip tray and a waste container for used coffee grounds.

Seamless Integration

Finished in black reflective glass with a polished metal trim, this Coffee Maker matches the other companion products and the rest of the Fisher & Paykel kitchen family.

Personalise Your Cup

Program an automatic setting to start up at the same time each day and memorise your favourite coffee. Twin LED lights illuminate your beverages so you can see what you are doing on those dark mornings.

Sized To Suit

This 60cm Built-in Coffee Maker is perfect for the compact kitchen and can be placed virtually anywhere. All companion products can be installed at a convenient height to suit your kitchen design and preference.

Barista-Style Coffee

The conical burr grinder delivers a consistent grind for the perfect coffee. Set it to suit your preference.

SPECIFICATIONS

Accessories (included)

Coffee spoon	•
Descaling agent bottle	•
Extractable steam outlet	•
Thermal milk jug (Auto Cappuccino)	0.5 L
Water filter	•

Accessories (sold separately)

Matching Trim Kit	Optional 76cm trim kit Part 81883
Optional lower trim kit	Part 81662

Capacity		Coffee strength levels	5	Supply voltage	240 V
Coffee bean container capacity	350 g	Cup size levels	4 + manual	<hr/>	
Drip tray capacity	0.8 L	Double espresso	•	Product dimensions	
Grounds container capacity	14 cups of coffee	Espresso	•	Depth	480 mm
Number of cups	1 or 2	Espresso macchiato	•	Height	458 mm
Water tank capacity	2.5 L	Flat white	•	Width	596 mm
<hr/>		Hot milk	•	<hr/>	
Cleaning		Hot water	•	Warranty	
Easy to remove coffee grinds container	•	Latte	•	Parts and labour	2 years
Easy to remove stainless steel hot water/steam pipe	•	Latte macchiato	•	<hr/>	
Removable drip tray with level indicator	•	Long black	•	SKU	81340
Self-clean function	•	Personalised coffee	•	<hr/>	
<hr/>		Takes pre ground coffee	•	The product dimensions and specifications in this page apply to the specific product and model. Under our policy of continuous improvement, these dimensions and specifications may change at any time. You should therefore check with Fisher & Paykel's Customer Care Centre to ensure this page correctly describes the model currently available. © Fisher & Paykel Appliances Ltd 2020	
Controls		Performance		Other product downloads available at fisherpaykel.com	
Cleaning reminder	•	Coffee temperatures	5 x settings	↓	2D-DWG Coffee Maker
Coffee grounds full reminder	•	Grinder	Stainless steel conical burr	↓	2D-DXF Coffee Maker
High resolution touch display	•	Grinding coarseness	13 positions	↓	Archicad Coffee Maker
Intuitive information display	•	Heating system	Thermablock with stainless steel tube & steamer	↓	Archicad Coffee Maker with 600mm Trim
LED lights	4	Integrated cup warmer shelf	•	↓	Archicad Coffee Maker with 760mm Trim
Multi-language interface	true	Integrated storage for accessories	•	↓	Data Sheet Coffee Maker
Refill coffee bean reminder	•	Pump power	50	↓	Service & Warranty
Water tank empty indicator	•	Pump pressure	15 Bar	↓	Installation Guide
<hr/>		Power requirements			
Functions		Amperage	10 A		
Americano	•	Supply frequency	50 Hz		
Cappuccino	•				
Coffee	•				

- ↓ [Revit Coffee Maker](#)
- ↓ [Revit Coffee Maker with 600mm Trim](#)
- ↓ [Revit Coffee Maker with 760mm Trim](#)
- ↓ [Rhino Coffee Maker](#)
- ↓ [Rhino Coffee Maker with 600mm Trim](#)
- ↓ [Rhino Coffee Maker with 760mm Trim](#)
- ↓ [Sketchup Coffee Maker](#)
- ↓ [Sketchup Coffee Maker with 600mm Trim](#)
- ↓ [Sketchup Coffee Maker with 760mm Trim](#)
- ↓ [User Guide](#)

Where applicable:

All appliances use energy, and energy usage typically generates carbon emissions. **Fisher & Paykel Appliances' In-use Energy Carbon Emissions Estimate** indicates carbon emissions from a product's in-use energy. This is calculated either annually or per cycle, using the product's market-specific energy label energy consumption data multiplied by the carbon emissions factor for energy in your country or region.

Our In-use Energy Carbon Emissions Estimate is designed to assist customers in making informed purchasing decisions when comparing different Fisher & Paykel products. For example, a heat pump dryer typically has a lower In-use Energy Carbon Emissions Estimate than a vented dryer.



A PEACE OF MIND SALE
24 Hours 7 Days a Week Customer Support
T 1300 650 590 W www.fisherpaykel.com