

FISHER & PAYKEL

PRELIMINARY SPECIFICATION GUIDE

WALL RANGEHOOD, 120CM



OVERVIEW

This 120cm wall rangehood is made from stylish stainless steel and glass, and can be installed in a variety of kitchen layouts. A powerful motor provides effective extraction of steam and odours, while a large removable oil cup captures excess grease and oils during extraction.

MODELS

Wall Rangehood, 120cm, Box Chimney
HC120BCX2

SERIES & STYLE

Series 9
Contemporary Style

FEATURES

- ① Contemporary style, finished in sleek black glass and stainless steel
- ② Up to 21 fan speeds
- ③ Removable oil cup captures excess cooking grease and oils during extraction
- ④ Powerful maximum air movement of 1200m³/hr, plus a 1500m³/h boost function
- ⑤ Large t-style design effectively captures odours over cooktops of any size
- ⑥ Perimeter extraction for efficient removal of steam and odours
- ⑦ Sleek, intuitive control panel with 21 touch and slide speed levels
- ⑧ Dimmable LED lighting illuminates the entire cooking surface
- ⑨ 200mm diameter duct
- ⑩ Externally ducted, making it perfect for apartments
- ⑪ Powered by a brushless DC motor, for quiet operation

FISHER & PAYKEL

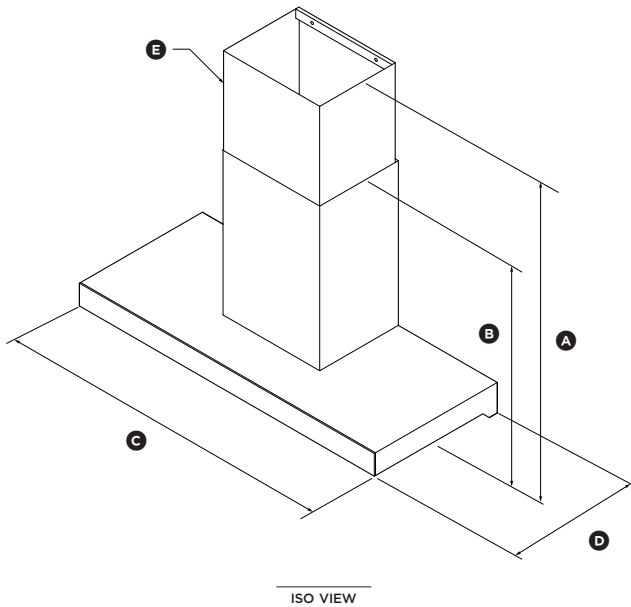
PRELIMINARY SPECIFICATION GUIDE

WALL RANGEHOOD, 120CM

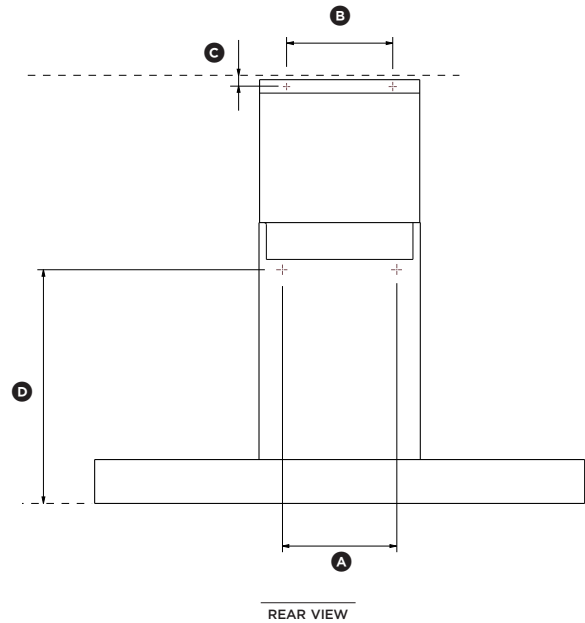
SPECIFICATIONS

Model No.	HC120BCX2
Dimensions	H 675 - 1035mm x W 1200mm x D 505mm
Weight	37 Kg
Minimum distance above cooktops	Consult the cooktop installation guide for details of the required installation height of the rangehood
Electrical	
Supply	230VAC, 50Hz
Outlet	3 pin plug
Light source	
Type	10-Watt LED lightstrip

PRODUCT DIMENSIONS



ATTACHMENT DIMENSIONS



		mm
(A)	Maximum overall height of rangehood	1035
(B)	Minimum overall height of rangehood	675
(C)	Overall width of rangehood	1200
(D)	Overall depth of rangehood	505
(E)	Diameter of ducting outlet	200

		mm
(A)	Lower rangehood attachment point width	280
(B)	Upper rangehood attachment point width	260
(C)	Upper rangehood attachment point height	20
(D)	Lower rangehood attachment point height	545