

Freestanding Refrigerator Freezer, 79cm, 491L

Series 5 | Contemporary

Stainless Steel | Right Hinge

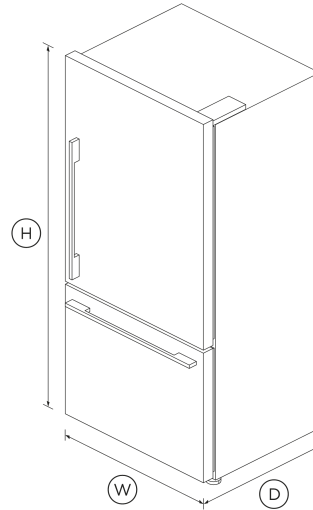


With ample storage and a stylish stainless steel finish, for a timeless look.

- ActiveSmart technology helps keep food fresher for longer by constantly maintaining the ideal temperature
- Spacious bottom freezer with full extension drawer gives easy access to frozen goods

DIMENSIONS

Height	1715 mm
Width	790 mm
Depth	695 mm



FEATURES & BENEFITS

Activesmart Foodcare

Every time you open your refrigerator, the temperature around your food changes. ActiveSmart foodcare adjusts airflow to create a stable temperature, helping your food stay fresher for longer.

Design Quality

Our refrigerators are designed and built using quality materials. We use real stainless steel, and solid glass for shelving as well as in our wine cabinet doors.

Easy cleaning

No more permanent dirty marks with our EZKleen feature for stainless steel refrigerators. Anti-fingerprint coating means you simply wipe clean any marks. Spill-safe secure glass shelves easily capture any drips or leaks.

Simple Storage

This refrigerator is designed to make it simple for you to store, access and remove food. Storage bins give you full access inside when they're pulled open and can be easily removed to clean. Our flexible shelving also gives you more storage options.

Clever Energy

Your refrigerator adapts to daily use by cooling and defrosting only when needed. This means it uses only the energy it needs without compromising on food care.

SPECIFICATIONS

Capacity

Total gross capacity	519 L
Volume	491 L
Volume freezer	143 L
Volume refrigerator	348 L

Consumption

Energy rating	Grade 2
---------------	---------

Features

Adjustable door shelves	4
Adjustable glass shelves	4
Covered door shelves	2

Door alarm	•	Depth	695 mm
Front levelling feet	•	Depth (including handles)	735 mm
Fruit and vegetable bins	2	Height	1715 mm
LED lighting	•	Height to top of cabinet	1715 mm
Single bottle holders	4	Minimum air clearance - each side	20 mm
SmartTouch control panel	•	Minimum air clearance - on top	50 mm
		Width	790 mm

[↓](#) Installation & User Guide Refrigerator

Where applicable:

All appliances use energy, and energy usage typically generates carbon emissions. **Fisher & Paykel Appliances' In-use Energy Carbon Emissions Estimate** indicates carbon emissions from a product's in-use energy. This is calculated either annually or per cycle, using the product's market-specific energy label energy consumption data multiplied by the carbon emissions factor for energy in your country or region.

Our In-use Energy Carbon Emissions Estimate is designed to assist customers in making informed purchasing decisions when comparing different Fisher & Paykel products. For example, a heat pump dryer typically has a lower In-use Energy Carbon Emissions Estimate than a vented dryer.

Freezer Features

- Bottle chill
- Door alarm
- Fast freeze
- Ice bin and scoop
- Large plastic bins
- Small plastic bins

Warranty

- Parts and labour **1 year**
- Sealed system parts only **3 years**

SKU 25482

Performance

- ActiveSmart™ Foodcare
- Adaptive defrost
- Frost free freezer
- Humidity control system
- Inverter controlled compressor
- R600a refrigerant

The product dimensions and specifications in this page apply to the specific product and model. Under our policy of continuous improvement, these dimensions and specifications may change at any time. You should therefore check with Fisher & Paykel's Customer Care Centre to ensure this page correctly describes the model currently available. © Fisher & Paykel Appliances Ltd 2020

Other product downloads available at fisherpaykel.com

- [↓](#) Service & Warranty
- [↓](#) Installation Guide
- [↓](#) Installation Guide - Surround Kit
- [↓](#) 简体中文 ZH
- [↓](#) Installation Guide 简体中文
- [↓](#) User Guide
- [↓](#) User Guide 简体中文

Power requirements

Connection power	240W
Supply voltage	220 - 240 V

Product dimensions