

PLANNING GUIDE

PLANNING GUIDE

INTEGRATED REFRIGERATOR FREEZER, 60CM

INTEGRATED DUAL ZONE REFRIGERATOR, 60CM

INTEGRATED DUAL ZONE FREEZER, 60CM

INTEGRATED TRIPLE ZONE REFRIGERATOR, 60CM

INTEGRATED TRIPLE ZONE FREEZER, 60CM

NOVEMBER 2022

FISHER & PAYKEL

CONTENTS

Integrated Refrigerator Freezer, 60cm

Dual Door Refrigerator

Model Nos:

Right Hinge Refrigerator & Freezer

Integrated Refrigerator Freezer - RS6019BRU1

Left hand hinge can be achieved using supplied parts

	page
Purchase Decision	3
Product & Cavity Dimensions	5 - 6
Door Opening & Clearance Dimensions	7
Hinge Range of Movement	8
Custom Panel Dimension	9
Custom Panel Flexibility	10
Gap Consideration	11
Custom Door Panel Preperation	12
Cavity Preparation	13
Max Distance of Hose & Cord	14
Multiple Installation	15 - 16
Handle Data Sheets	17 - 20

Integrated Dual Zone Refrigerator, 60cm

Integrated Dual Zone Freezer, 60cm

Integrated Triple Zone Refrigerator, 60cm

Integrated Triple Zone Freezer, 60cm

Single Door Refrigerator or Freezer

Model Nos:

Right Hinge Refrigerator

Integrated Dual Zone Refrigerator - RS6019S2R1

Integrated Triple Zone Refrigerator -RS6019S3RH1

Left hand hinge can be achieved using supplied parts

Left Hinge Freezer RS6019S2R1

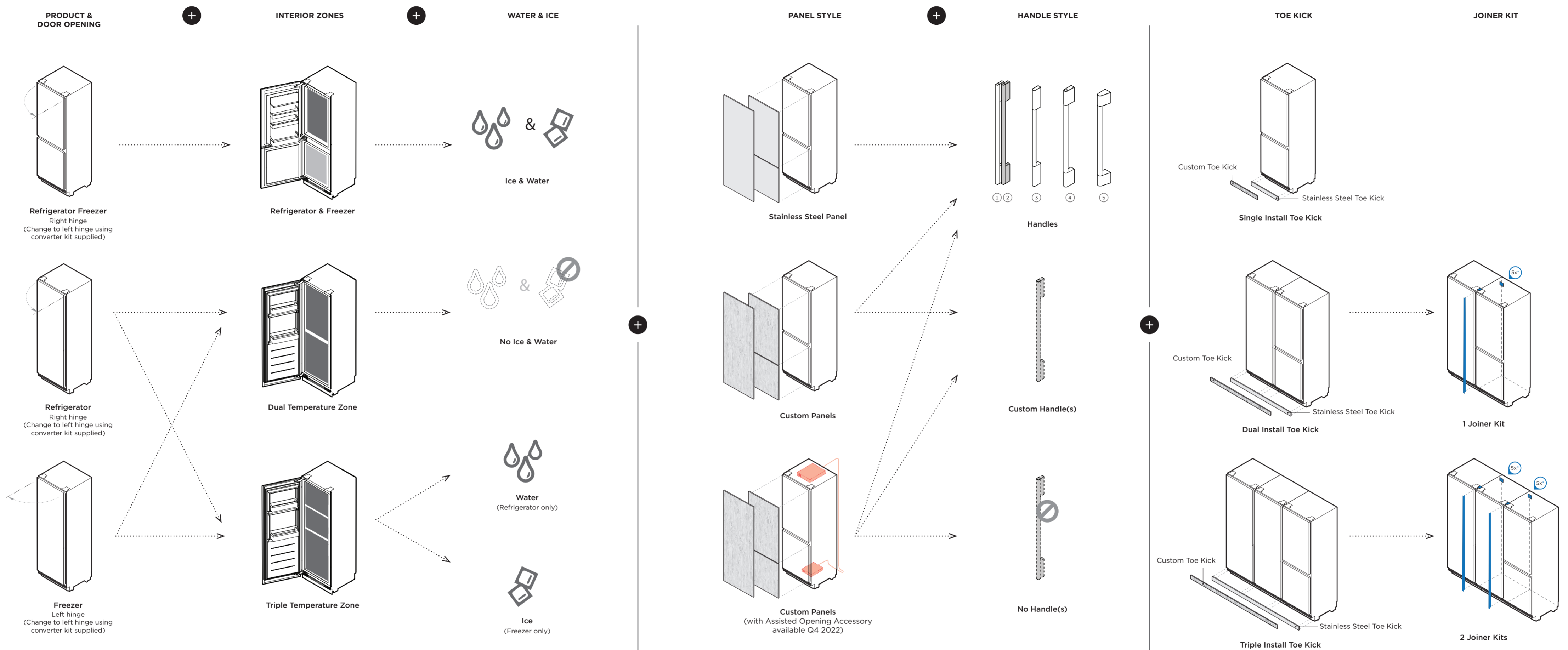
Integrated Dual Zone Freezer - RS6019F2L1

Integrated Triple Zone Freezer - RS6019F3LJ1

Right hand hinge can be achieved using supplied parts

	page
Purchase Decision	3
Product & Cavity Dimensions	22 -23
Door Opening & Clearance Dimensions	24
Hinge Range of Movement	25
Custom Panel Dimensions	26
Custom Panel Preparation	27
Cavity Preparation (Frameless and Framed)	28
Max Distance of Hose & Cord	29
Multiple Installations	30 - 31
Handle Data Sheets	32 -35

PURCHASE DECISION REFRIGERATOR & FREEZER COMBINATION, REFRIGERATION AND FREEZER 60CM



PRODUCT & DOOR OPENING	INTERIOR ZONES	ICE & WATER	PANEL STYLE*	HANDLES	STAINLESS STEEL TOE KICK*	JOINER KIT*
	Refrigerator Freezer 2 Temperature Zones 3 Temperature Zone		Left Hinge Right Hinge	Refrigerator Freezer* Refrigerator** Freezer**	All Models	All Models
Refrigerator Freezer	RS6019BRU1*	*Ice & Water	Refrigerator Freezer Stainless Steel Panels**	① Square Fine Handle Aluminium AHDSRDB19 AHDSRDS19 AHDSRDS19	Single Toe Kick AKRS06010	Single Installation No joiner kit required
Refrigerator	RS6019S2R1 RS6019S3RH1**	**Water	Refrigerator Stainless Steel Panel***	② Square Fine Handle Black AHDSRDB19B AHDSRDS19B AHDSRDS19B	Dual Toe Kick AKRS12010	Dual Installation AJRS19LR (1 kit required)
Freezer	RS6019F2L1 RS6019F3LJ1***	***Ice	Freezer Stainless Steel Panel***	③ Round Handle AHSRDB19 AHSRDS19 AHSRDS19	Triple Toe Kick AKRS18010	Triple Installation AJRS19LR (2 kits required)
				④ Classic Handle AHCLRDB AHCLRDSF AHCLRDSF		
				⑤ Professional Round Flush AHP3RDB19 AHP3RDS19 AHP3RDS19		
			ASSISTED OPENING			
			Refrigerator Freezer available Q4 2022			
			Refrigerator available Q4 2022			
			Freezer available Q4 2022			

All models can achieve opposite hinge location using the supplied parts

*Custom door panels to be manufactured and fitted by cabinetmaker
 **Two panels supplied in panel kit
 ***One panel supplied in panel kit

*Two handles supplied in handle kit
 **One handle kit supplied in handle kit

*Toe kick to be manufactured and fitted by cabinet maker

*Each joiner kit contains 4 brackets and one trim

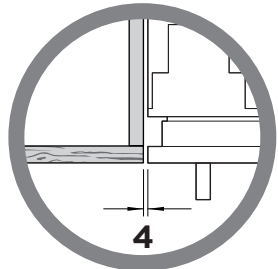
Integrated Refrigerator Freezer, 60cm

FISHER & PAYKEL

PRODUCT & CAVITY DIMENSIONS Integrated Refrigerator Freezer, 60cm

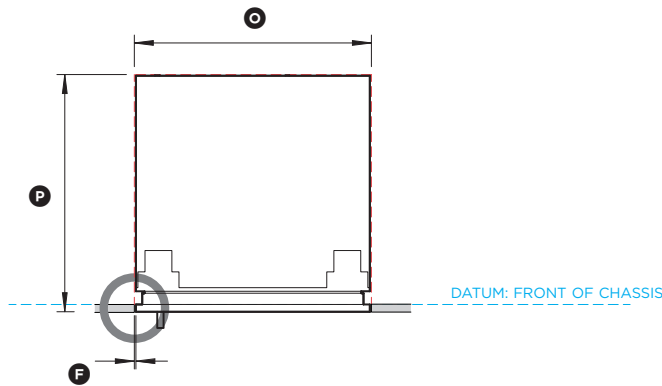
Model No:
RS6019BRU
Integrated Dual and Triple Zone Freezer
Stainless Steel Panels RD6019BR
Handle Kit AHD5RDSF
Stainless Steel Toe Kick Panel AKRS06010

NOTE: Left hand hinge is a mirrored version of the image shown.
Left hand hinge can be achieved using supplied parts.
Please refer to Installation Guide for details.

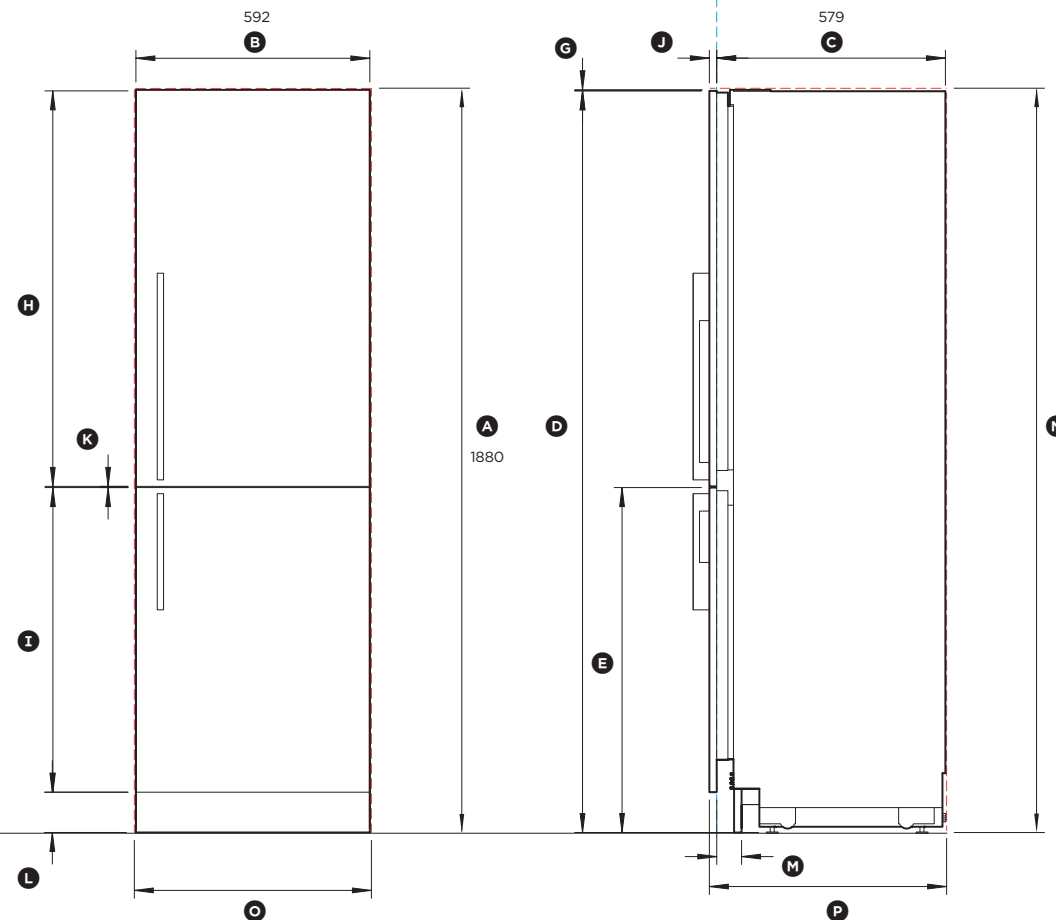


VERTICAL GAP
CLEARANCE FROM SIDE
OF DOOR PANEL

4



PLAN VIEW



FRONT VIEW

PROFILE VIEW

Product Dimensions	mm
Ⓐ Overall height of product	1880
Ⓑ Overall width of product	592
Ⓒ Overall depth of product (excl. front door panels)	579
Ⓓ Height from top of top door panel to floor	1877
Ⓔ Height from top of bottom door panel to floor	873
Ⓕ Minimum cabinetry clearance from side of door panel	4
Ⓖ Minimum cabinetry clearance from top of door panel	3
Ⓗ Height of top door panel	1001
Ⓘ Height of bottom door panel	771
Ⓝ Depth of door panels	19
Ⓧ Gap between door panels	3
Ⓛ Height from floor to bottom of bottom door panel	102
Ⓜ Depth of toe kick (excl. front door and toe kick panels)	50 - 100

Cavity Dimensions	mm
Ⓝ Overall height of cavity	1880
Ⓖ Overall width of cavity	600
Ⓓ Minimum overall depth of cavity:	
When services are located outside of cavity (shallow)	600
When services are located in the cabinet above the cavity	610
When services are located at rear of cavity (deep)	650

Note: Product shown installed on the floor. Slide into cabinetry position.

Alternatively can be installed on a plinth. Adjust your cavity height accordingly.

INDICATES CAVITY CLEARANCES (dashed red line)
INDICATES PRODUCT DATUM (dashed blue line)

DATE: 28.11.2022

IMPORTANT NOTE: Throughout this guide, dimensions may vary by ±2mm (1/16"). Please read the Installation Guide for detailed information on installing the product. For full installation instructions & specifications visit fisherpaykel.com

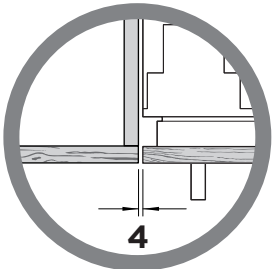


FISHER & PAYKEL

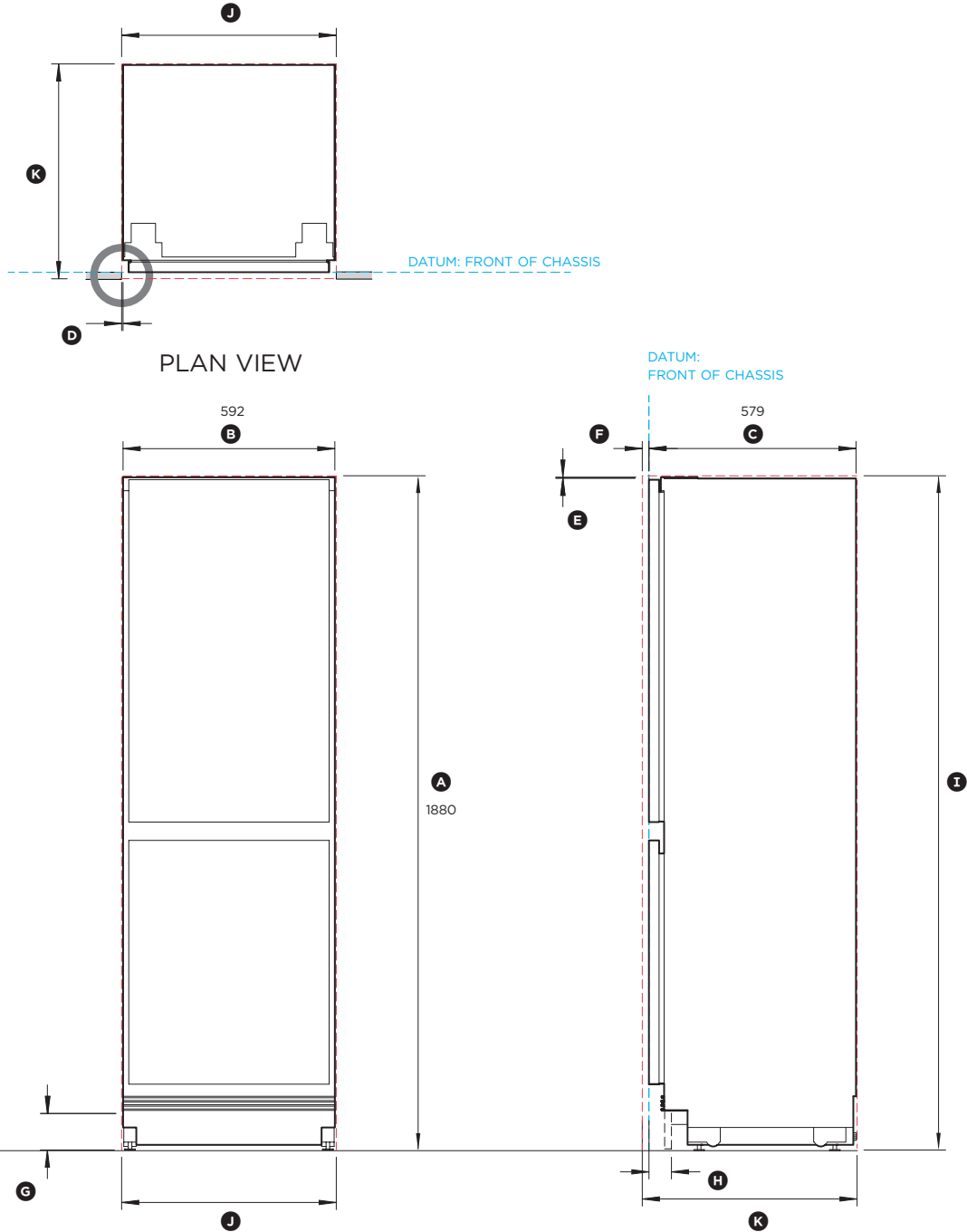
PRODUCT & CAVITY DIMENSIONS Integrated Refrigerator Freezer, 60cm

Model No:
RS6019BRU1
Integrated Dual and Triple Zone Refrigerator
Custom Panel

NOTE: Left hand hinge is a mirrored version of the image shown.
Left hand hinge can be achieved using supplied parts.
Please refer to Installation Guide for details.



VERTICAL GAP
CLEARANCE FROM SIDE
OF DOOR PANEL



Product Dimensions	mm
Ⓐ Overall height of product	1880
Ⓑ Overall width of product	592
Ⓒ Overall depth of product	579
Ⓓ Minimum cabinetry clearance from side of door panels*	4
Ⓔ Minimum cabinetry clearance from top of door panel*	3
Ⓕ Depth of door panels*	16 - 19
Ⓖ Height of toe kick panel*	100
Ⓗ Depth of toe kick (excl. front door and toe kick panels*)	50 - 100

Cavity Dimensions	mm
Ⓐ Overall height of cavity	1880
Ⓑ Overall width of cavity	600
Ⓒ Minimum overall depth of cavity:	
When services are located outside of cavity (shallow)	600
When services are located in the cabinet above the cavity	610
When services are located at rear of cavity (deep)	650

Note: Product shown installed on the floor. Slide into cabinetry position.
Alternatively can be installed on a plinth. Adjust your cavity height accordingly.

For custom panel dimensions refer to page 9.
*Custom door panels and toe kick panel to be manufactured and fitted by cabinetmaker.

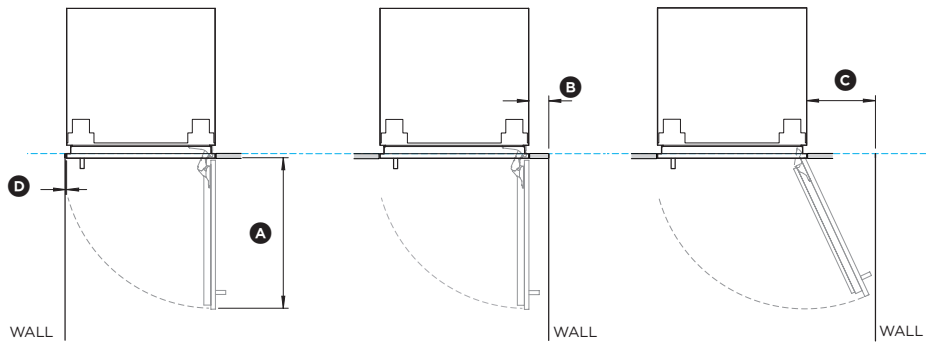
INDICATES CAVITY CLEARANCES (Red dashed line)
INDICATES PRODUCT DATUM (Blue dashed line)

DATE: 28.11.2022

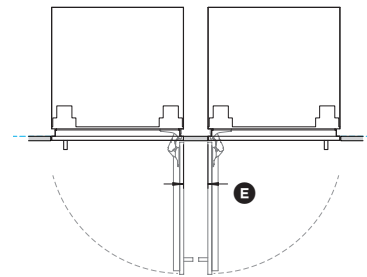
IMPORTANT NOTE: Throughout this guide, dimensions may vary by ±2mm (1/16"). Please read the Installation Guide for detailed information on installing the product. For full installation instructions & specifications visit fisherpaykel.com



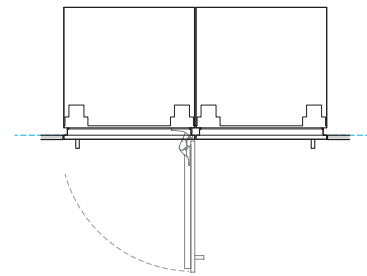
CLEARANCES



CONFIGURATIONS

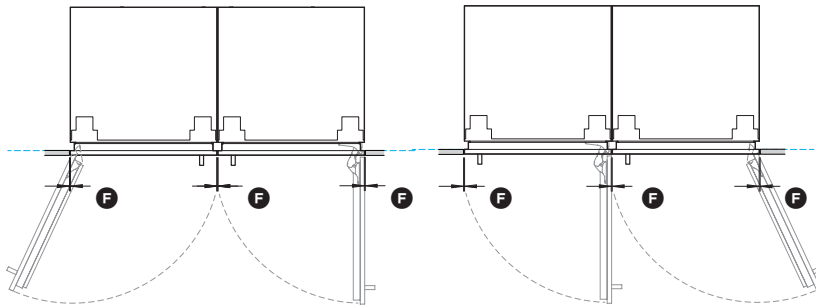


HINGE TO HINGE
Both doors open at the same time
- requires space between models

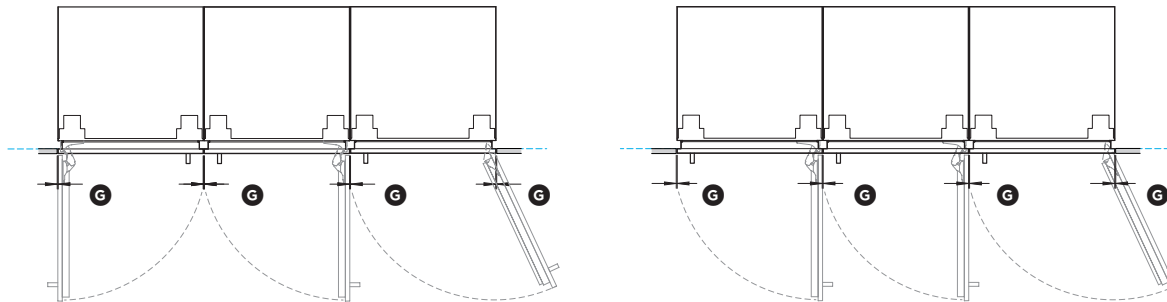


HINGE TO HINGE
Only allows a single door open at a time

DUAL INSTALL



TRIPLE INSTALL



FISHER & PAYKEL

DOOR OPENINGS & CLEARANCE DIMENSIONS Integrated Refrigerator Freezer, 60cm

Model No:
RS6019BRU1
Integrated Refrigerator Freezer, 60cm
Stainless Steel Panels RD6019BR
Handle Kit AHD5RDSF
Stainless Steel Toe Kick Panel AKRS06010

NOTE: Left hand hinge is a mirrored version of the image shown.
Left hand hinge can be achieved using supplied parts.
Please refer to Installation Guide for details.

Clearance Dimensions	mm
Ⓐ Depth of door (90° open, measured from front of cabinetry)	600
Ⓑ Minimum door clearance to adjacent wall (90° - reduced internal access)* **	80
Ⓒ Minimum door clearance to adjacent wall (115° - full internal access)* **	273
Ⓓ Minimum cabinetry clearance from side of door panel to adjacent wall (non hinge side)	4
Ⓔ Minimum clearance between products when opening hinge to hinge. Allowing both doors to open at the same time**	100

Minimum Door Clearance (Vertical Gap)	mm
Ⓕ Dual Install:	
Stainless steel door panels (gaps equalized during installation)	5
Custom panels (width of custom panel increased to maintain 4mm gap across multiple products)***	4
Ⓖ Triple Install:	
Stainless steel door panels (gaps equalized during installation)	6
Custom panels (width of custom panel increased to maintain 4mm gap across multiple products)***	4

*Use hinge limiting pin to restrict door opening to 90° where necessary.
**Minimum dimensions shown are for the contemporary handle kit AHD5RDSF. Custom panel and handle details need to be taken into account.
***Refer to Custom Panel Dimensions and Multiple Install pages for further details.

INDICATES CAVITY CLEARANCES -----
INDICATES PRODUCT DATUM - - - - -

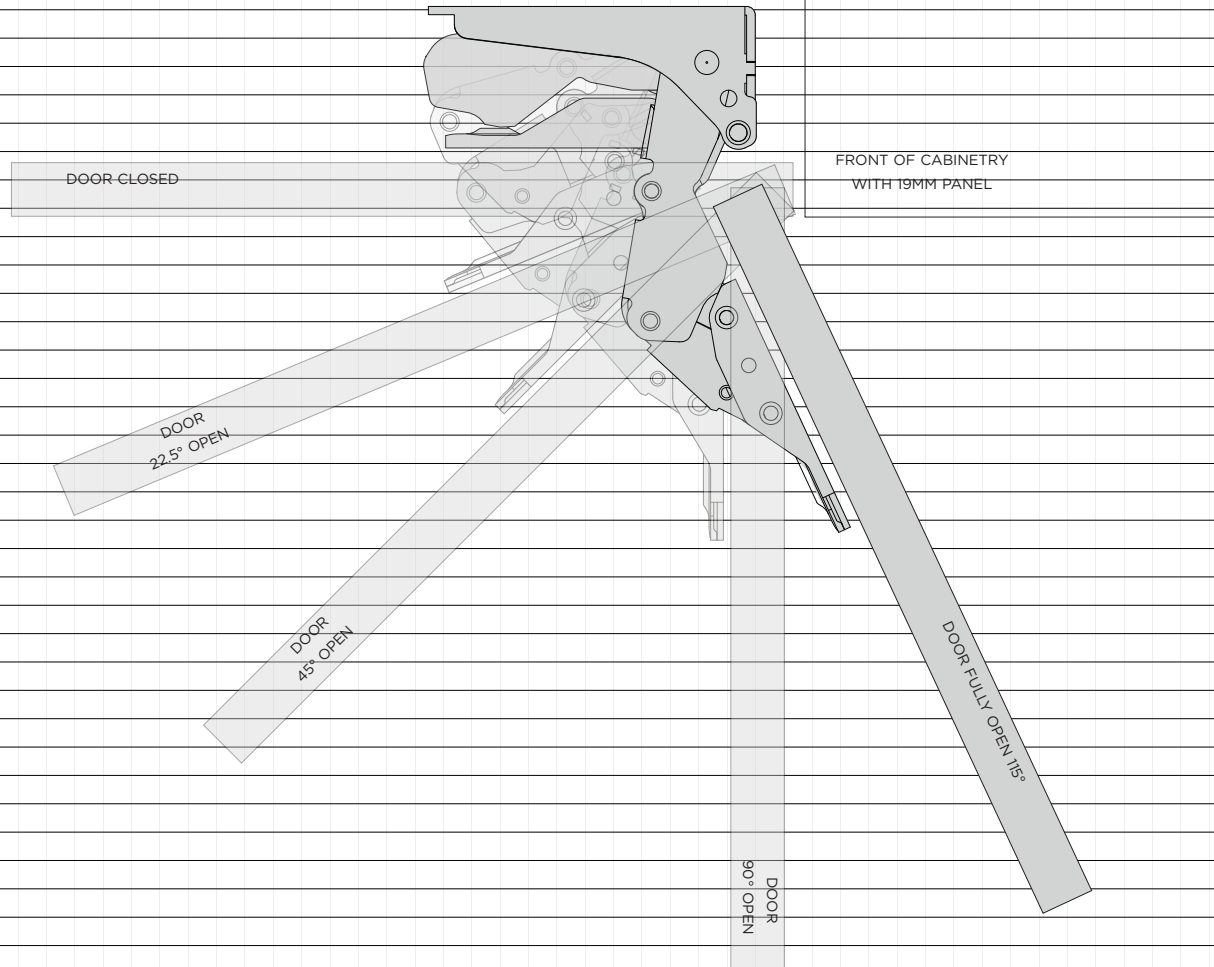
DATE: 28.11.2022

IMPORTANT NOTE: Throughout this guide, dimensions may vary by ±2mm (1/16"). Please read the Installation Guide for detailed information on installing the product. For full installation instructions & specifications visit fisherpaykel.com

FISHER & PAYKEL

CUSTOM PANEL PREPARATION - HINGE Integrated Refrigerator Freezer, 60cm

TOP VIEW
HINGE RANGE OF MOVEMENT
SHOWN WITH STANDARD 19MM PANEL



1 SQUARE = 1CM

Model nos:

RS6019BRU1

Integrated Refrigerator Freezer, 60cm

NOTE: Left hand hinge model is a mirrored version of image shown.

Dwg & Dxf Files

Dwg and Dxf files of the panel preparation are available within the download folder for this product and can be found on.

<http://thekitchentools.fisherpaykel.com>

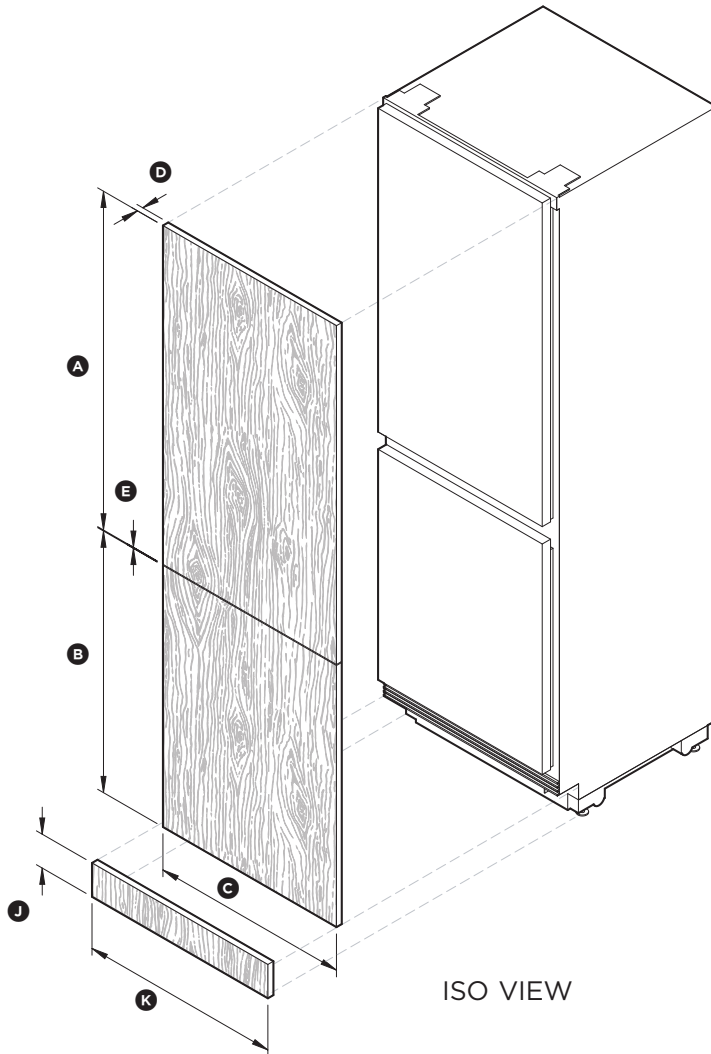
Door Hinge - Hettich K08

DATE: **28.11.2022**

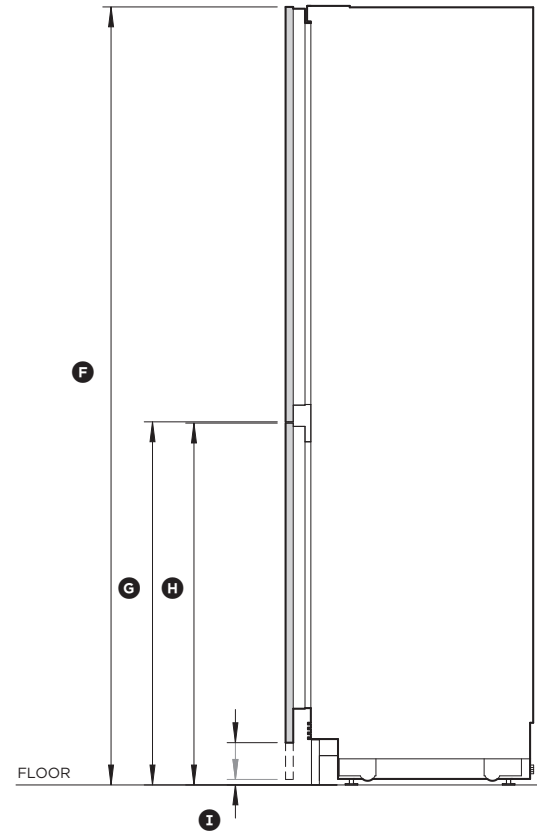
IMPORTANT NOTE: Throughout this guide, dimensions may vary by $\pm 2\text{mm}$ ($1/16''$). Please read the Installation Guide for detailed information on installing the product. For full installation instructions & specifications visit fisherpaykel.com

FISHER & PAYKEL

CUSTOM PANEL DIMENSIONS Integrated Refrigerator Freezer, 60cm



ISO VIEW



PROFILE VIEW

Model No:

RS6019BRU1
Integrated Refrigerator Freezer, 60cm
Custom Panels

NOTE: Left hand hinge is a mirrored version of the image shown.
Left hand hinge can be achieved using supplied parts.
Please refer to Installation Guide for details.

Custom Panel Dimensions	mm
Ⓐ Height of top door panel	1001
Ⓑ Height of bottom door panel	723 - 858
Ⓒ Width of door panel:	
Single install	592
Dual install*	594
Triple install*	594.5
Ⓓ Depth of custom panel**	16 - 19
Ⓔ Gap between door panels	3
Ⓕ Height from floor to top of top door panel	1877
Ⓖ Height from floor to bottom of top door panel	876
Ⓗ Height from floor to top of bottom door panel	873
Ⓘ Height from floor to bottom of bottom door panel***	15 - 150
Ⓚ Height of toe kick panel	100
Ⓛ Width of toe kick panel****	597
Maximum weight of top door panel*****	9.5kg
Maximum weight of bottom door panel*****	9kg

Custom door panels, handles and toe kick panel to be manufactured and fitted by cabinetmaker.

*For further details on multiple installation refer to page 16.

**At 19mm thickness, we recommend an edge radius of 1mm or more to avoid the possibility of panel clash when opening.

***The grille becomes visible at heights over 100mm.

****Toe kick can be continuous.

*****Includes weight of handle.

DATE: 28.11.2022

IMPORTANT NOTE: Throughout this guide, dimensions may vary by ±2mm (1/16"). Please read the Installation Guide for detailed information on installing the product. For full installation instructions & specifications visit fisherpaykel.com



FISHER & PAYKEL

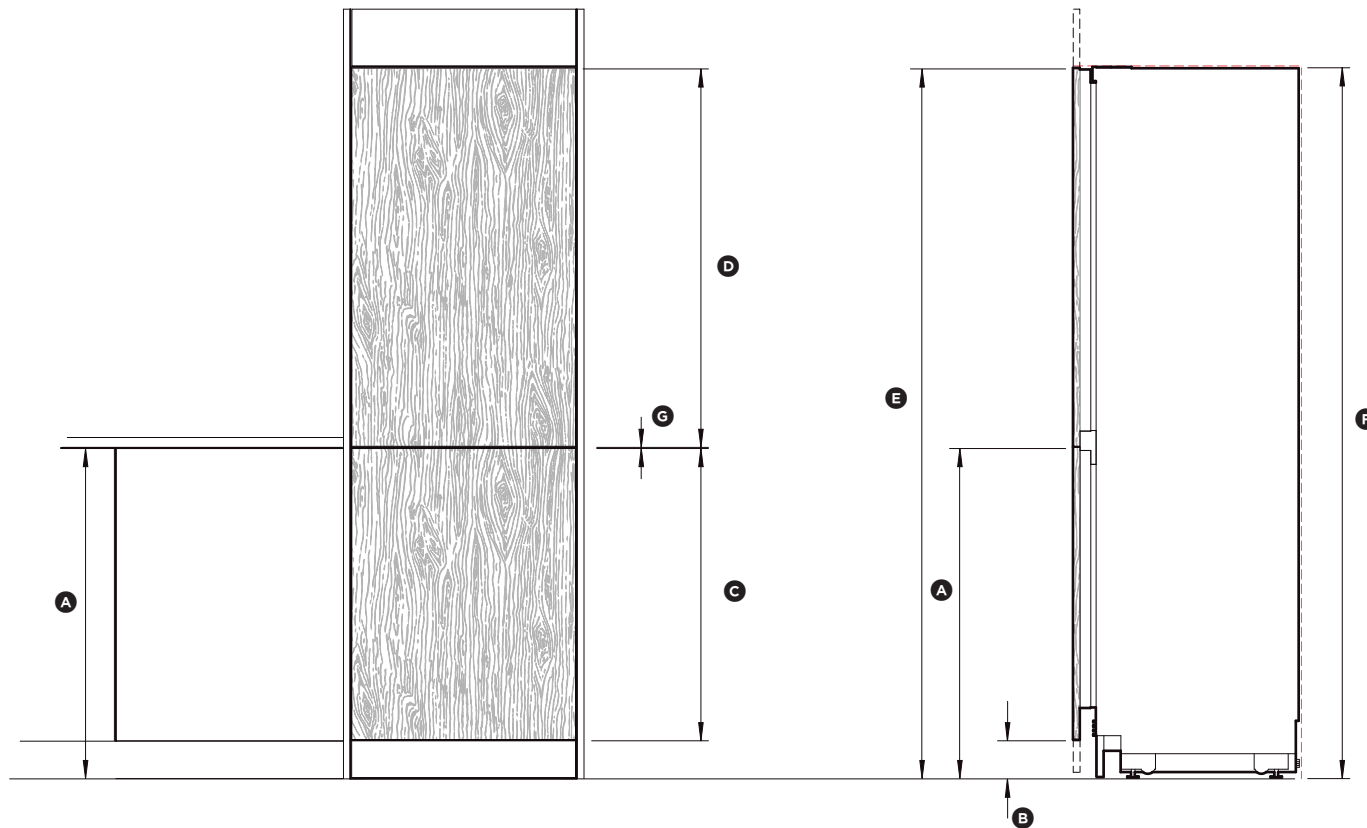
CUSTOM PANEL FLEXIBILITY Integrated Refrigerator Freezer, 60cm

Model No:

RS6019BRU1

Integrated Refrigerator Freezer, 60cm

Left hand hinge can be achieved with a converter kit (supplied).
Please refer to Installation Guide for details.



FRONT VIEW

SIDE VIEW

Custom Panel Dimensions	mm
Ⓐ Floor to top of of bottom panel (splitline height)	min 867 max 877
Ⓑ Floor to bottom of door panel	min 15 max 150
Ⓒ Bottom door panel height	min 717 max 862
Ⓓ Top panel height	min 997 max 1007
Ⓔ Height from floor to top of door panel	1877
Ⓕ Cavity height	1880
Ⓖ Gap between panels	3

To be used when the cavity height is 1880 mm, dimensions will vary for other cavity heights.

To calculate bottom panel height (splitline height)
Ⓐ minus Ⓑ

To calculate top panel height
Ⓓ minus 3mm minus Ⓐ

For bench heights above 877mm a 897mm splitline can be achieved with a cavity height of 1900mm.

INDICATES CAVITY CLEARANCES

INDICATES PRODUCT DATUM

DATE: 28.11.2022

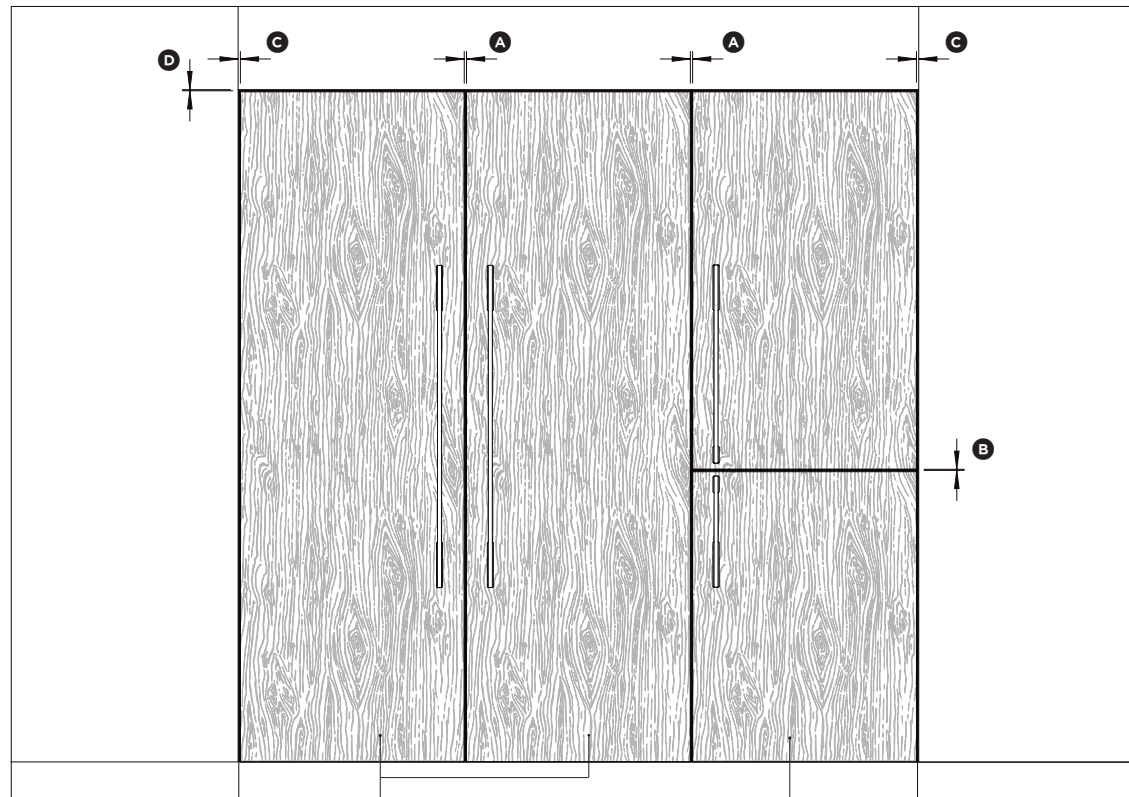
IMPORTANT NOTE: Throughout this guide, dimensions may vary by $\pm 2\text{mm}$ ($1/16''$). Please read the Installation Guide for detailed information on installing the product. For full installation instructions & specifications visit fisherpaykel.com

FISHER & PAYKEL

GAP CONSIDERATION Integrated Refrigerator Freezer, 60cm Integrated Dual and Triple Zone Refrigerator Integrated Dual and Triple Zone Freezer

Model no:
RS6019BRU1
Integrated Refrigerator Freezer, 60cm

RS6019S2R1, RS6019S3RH1
Integrated Dual and Triple Zone Refrigerator
RS6019F2L1, RS6019F3LJ1
Integrated Dual and Triple Zone Freezer



RS6019S2R1
RS6019S3RH1
RS6019F2L1
RS6019F3LJ1

RS6019BRU1

IMPORTANT!

For ease of installation, ensure cavity has consistent dimensions top to bottom and left to right.

Product Stainless Steel Door Gaps	mm
Ⓐ Vertical gaps between doors	6
Ⓑ Horizontal gaps between doors	3
Ⓒ Vertical gaps between door and neighbouring cabinetry	4
Ⓓ Horizontal I gaps between door and neighbouring cabinetry	3
Product Custom Panel Door Gaps	mm
Ⓐ Vertical gaps between doors	4
Ⓑ Horizontal gaps between doors	3
Ⓒ Vertical gaps between door and neighbouring cabinetry	4
Ⓓ Horizontal gaps between door and neighbouring cabinetry	3

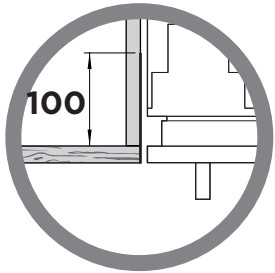
Dual Installation 1 Joiner Kit required - AJRS19LR.
Triple Installation 2 Joiner Kits required - AJRS19LR.

DATE: 28.11.2022

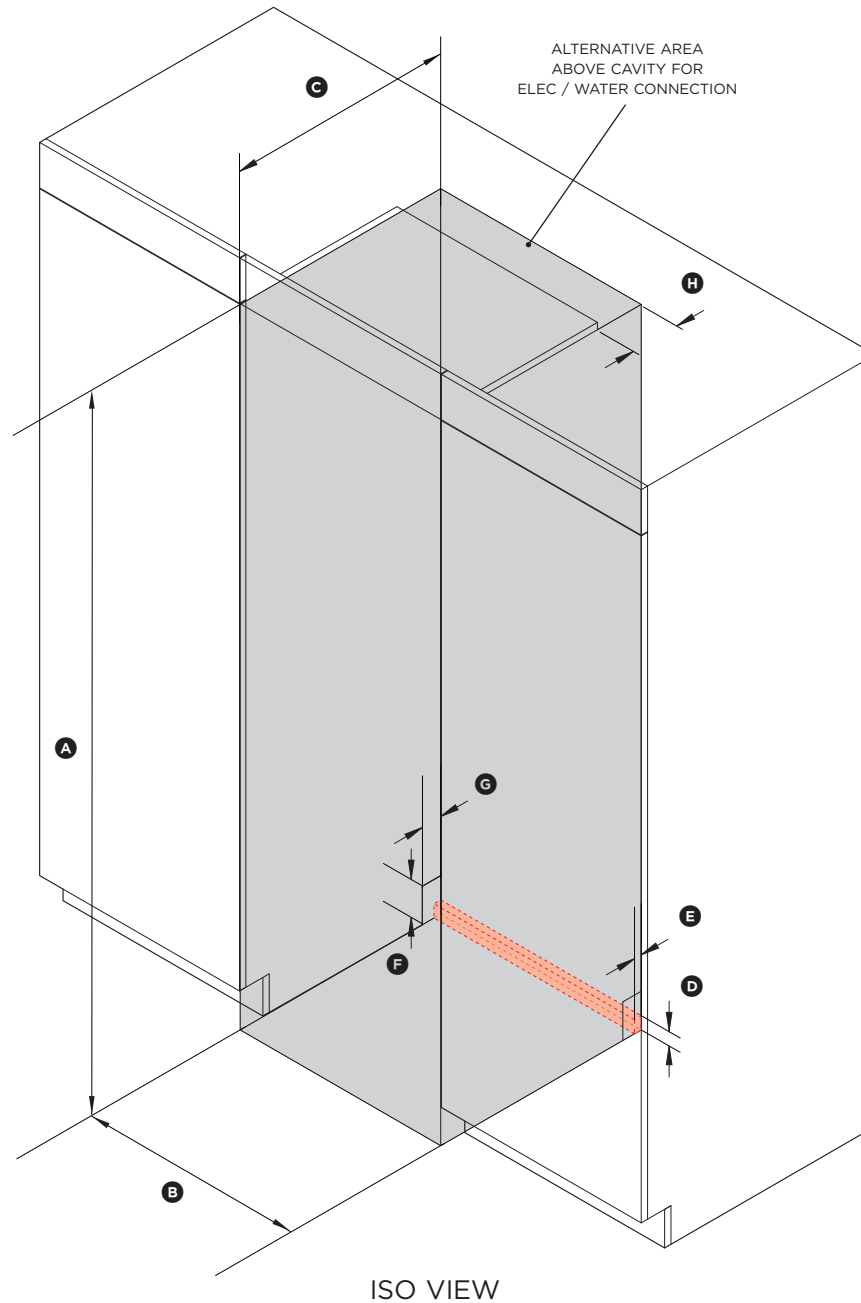
IMPORTANT NOTE: Throughout this guide, dimensions may vary by $\pm 2\text{mm}$ ($1/16''$). Please read the Installation Guide for detailed information on installing the product. For full installation instructions & specifications visit fisherpaykel.com

FISHER & PAYKEL

CAVITY PREPARATION Integrated Refrigerator Freezer, 60cm



FINISHED RETURN
CAVITY SIDES & TOP



ISO VIEW

Model No:
RS6019BRU1
Integrated Refrigerator Freezer, 60cm

NOTE: Left hand hinge is a mirrored version of the image shown.
Left hand hinge can be achieved using supplied parts.
Please refer to Installation Guide for details.

IMPORTANT!
For ease of installation, ensure cavity has consistent dimensions
top to bottom and left to right.

Minimum Cavity Dimensions	mm
Ⓐ Overall height of cavity	1880
Ⓑ Overall width of cavity	600
Ⓒ Minimum overall depth of cavity:	
When services are located outside of cavity (shallow)	600
When services are located in the cabinet above the cavity	610
When services are located at rear of cavity (deep)	650
Minimum required finished return	100

Electrical / Plumbing Supply Dimensions	mm
Ⓓ Overall height of supply routing area at rear of cavity	37
Overall width of supply routing area at rear of cavity	600
Ⓔ Overall depth of supply routing area at rear of cavity	20
Ⓕ Height of notch at rear of cavity for services to be routed into adjacent cabinet (either side)	100
Ⓖ Depth of notch at rear of cavity for services to be routed into adjacent cabinet (either side)	55
Ⓗ Minimum depth above cavity for services to be routed through	55

Recommended that services are routed to the adjacent cabinet or either side of the product.

DATE: 28.11.2022

IMPORTANT NOTE: Throughout this guide, dimensions may vary by $\pm 2\text{mm}$ ($1/16''$). Please read the Installation Guide for detailed information on installing the product. For full installation instructions & specifications visit fisherpaykel.com

FISHER & PAYKEL

POWER AND WATER CONNECTIONS Integrated Refrigerator Freezer, 60cm

Model No:
RS6019BRU1
Integrated Refrigerator Freezer, 60cm

NOTE: Left hand hinge is a mirrored version of the image shown.
Left hand hinge can be achieved using supplied parts.
Please refer to Installation Guide for details.

Specifications

Electrical

Supply 230 VAC, 50 Hz

Service 10 amp circuit

Plumbing

Supply Water Filter
UK EU IE SG HK Braided hose, 7/16" x 24 UNS to 3/4" BSP
NZ AU Braided hose, 7 x 16-24 UNS to 1/2" BSP

Pressure min 275 kPa (40 psi)
max 827 kPa (120 psi)

NOTE: Recommended that services are routed to the adjacent cabinet.

Hose and Cord Lengths

Electrical

Ⓐ Power cord length (from the left edge of the product)* 1800

Ⓑ Power cord length (from the right edge of the product)* 2000

Ⓒ Power cord length (from the top of the product)* 380

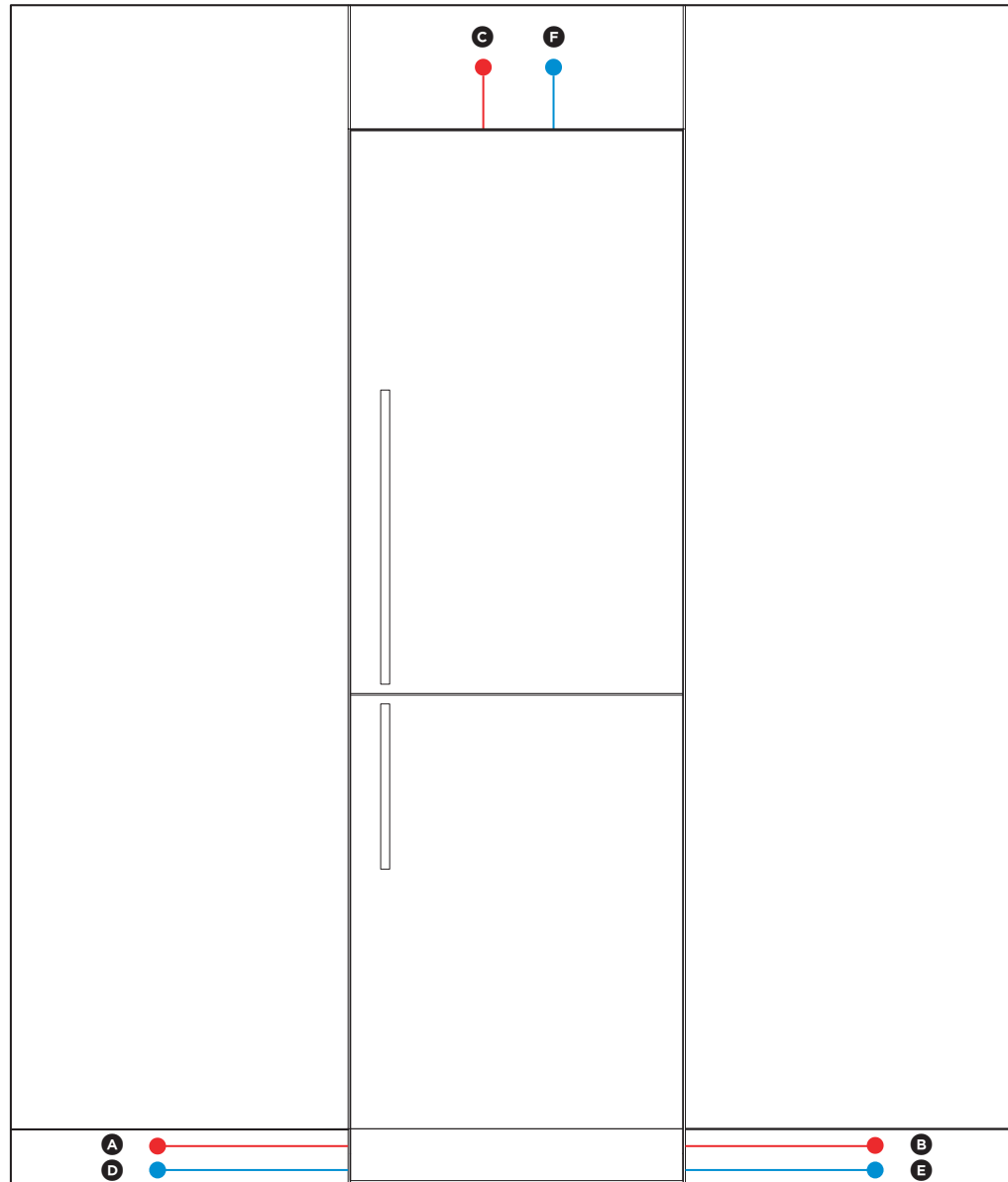
Water

Ⓓ Water inlet hose length (from the left edge of the product) 2450

Ⓔ Water inlet hose length (from the right edge of the product) 2000

Ⓕ Water inlet hose length (from the top of the product) 700

* Excluding plug.



LEFT HAND SIDE

FRONT VIEW

RIGHT HAND SIDE

DATE: 28.11.2022

IMPORTANT NOTE: Throughout this guide, dimensions may vary by $\pm 2\text{mm}$ ($1/16''$). Please read the Installation Guide for detailed information on installing the product. For full installation instructions & specifications visit fisherpaykel.com

FISHER & PAYKEL

MULTIPLE INSTALLATION - STAINLESS STEEL DOOR PANELS Integrated Refrigerator Freezer, 60cm Integrated Dual and Triple Zone Refrigerator Integrated Dual and Triple Zone Freezer

Model no:

RS6019BRU1

Stainless Steel Door Panel RD6019BR

RS6019F2L1, RS6019F3LJ1, RS6019S2R1, RS6019S3RH1

Stainless Steel Door Panel RD6019

Stainless Steel Toe kick for Dual Installation AKRS12010

Joiner Kit AJRS19LR

IMPORTANT!

For ease of installation, ensure cavity has consistent dimensions top to bottom and left to right.

Clearance Dimensions	mm
Ⓐ Overall height of cavity	1880
Ⓑ Overall width of cavity	1200
Ⓒ Minimum overall depth of cavity: When services are located outside of cavity (shallow)	600
When services are located in the cabinet above the cavity	610
When services are located at rear of cavity (deep)	650
Ⓓ Overall height of supply routing area at rear of cavity	37
Ⓔ Overall depth of supply routing area at rear of cavity	20
Ⓕ Height of notch at rear of cavity for services to be routed into adjacent cabinet (either side)	100
Ⓖ Height of notch at rear of cavity for services to be routed into adjacent cabinet (either side)	55
Ⓗ Minimum depth above cavity for services to be routed through	55

Stainless Steel Panel Dimensions	mm
Ⓙ Height of fridge top door panel	1001
Ⓚ Height of freezer bottom door panel	771
Ⓛ Height of freezer or fridge door panel	1775
Ⓜ Gap between door and drawer panel	3
Ⓝ Depth of door panel	19
Ⓞ Width of door panel	603
Ⓟ Width of toe kick panel	1216
Ⓠ Height of toe kick panel	102
Ⓡ Gap between the center of the door panel	5

Dual Installation 1 Joiner Kit required - AJRS19LR

Triple Installation 2 Joiner Kits required - AJRS19LR

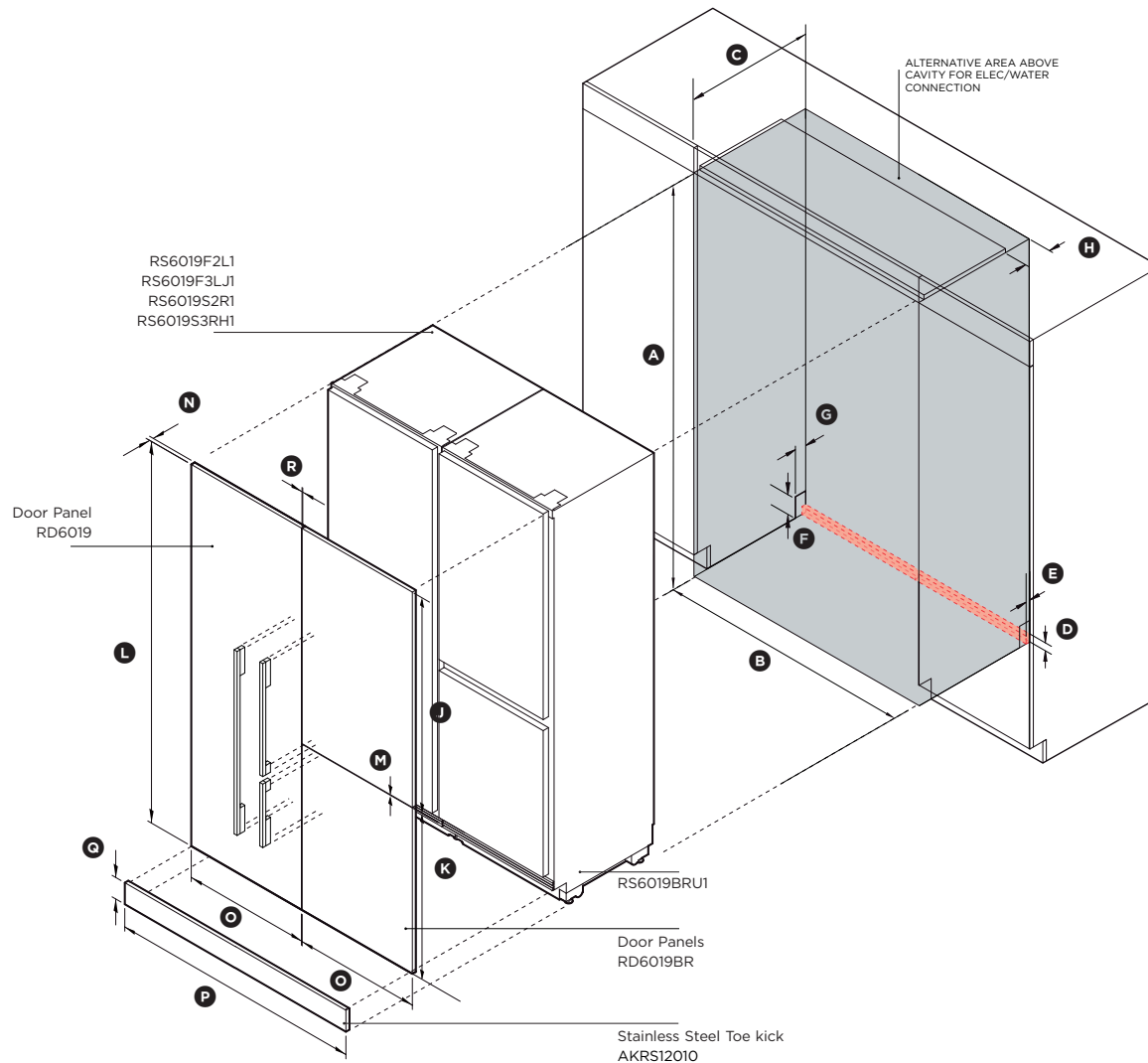
Recommended that services are routed to the adjacent cabinet or either side of the products.

HANDLES: Handle Kits are sold separately.

Please refer to the handle datasheets for more information.

DATE: 28.11.2022

IMPORTANT NOTE: Throughout this guide, dimensions may vary by ±2mm (1/16"). Please read the Installation Guide for detailed information on installing the product. For full installation instructions & specifications visit fisherpaykel.com



FISHER & PAYKEL

MULTIPLE INSTALLATION - CUSTOM DOOR PANELS Integrated Refrigerator Freezer, 60cm Integrated Dual and Triple Zone Refrigerator Integrated Dual and Triple Zone Freezer

Model no:
RS6019BRU1
Custom Door Panels

RS6019F2L1, RS6019F3LJ1, RS6019S2R1 or RS6019S3RH1
Custom Door Panel and Custom Toe kick
Joiner Kit AJRS19LR

IMPORTANT!

For ease of installation, ensure cavity has consistent dimensions top to bottom and left to right.

Clearance Dimensions	mm
Ⓐ Overall height of cavity	1880
Ⓑ Overall width of cavity	1200
Ⓒ Minimum overall depth of cavity:	
When services are located outside of cavity (shallow)	600
When services are located in the cabinet above the cavity	610
When services are located at rear of cavity (deep)	650
Ⓓ Overall height of supply routing area at rear of cavity	37
Ⓔ Overall depth of supply routing area at rear of cavity	20
Ⓕ Height of notch at rear of cavity for services to be routed into adjacent cabinet (either side)	100
Ⓖ Height of notch at rear of cavity for services to be routed into adjacent cabinet (either side)	55
Ⓜ Minimum depth above cavity for services to be routed through	55

Custom Door Panel Dimensions	mm
Ⓛ Height of fridge top door panel	1001
Ⓚ Height of freezer bottom door panel	723-858
Ⓦ Height of freezer or fridge door panel	1727-1862
Ⓢ Gap between door and drawer panel	3
Ⓝ Depth of door panel	16-19
Ⓣ Width of door panel	594
Ⓟ Width of toe kick panel	1194
Ⓞ Height of toe kick panel	102
Ⓠ Gap between the center of the door panel	4

Dual Installation 1 Joiner Kit required - AJRS19LR
Triple Installation 2 Joiner Kits required - AJRS19LR

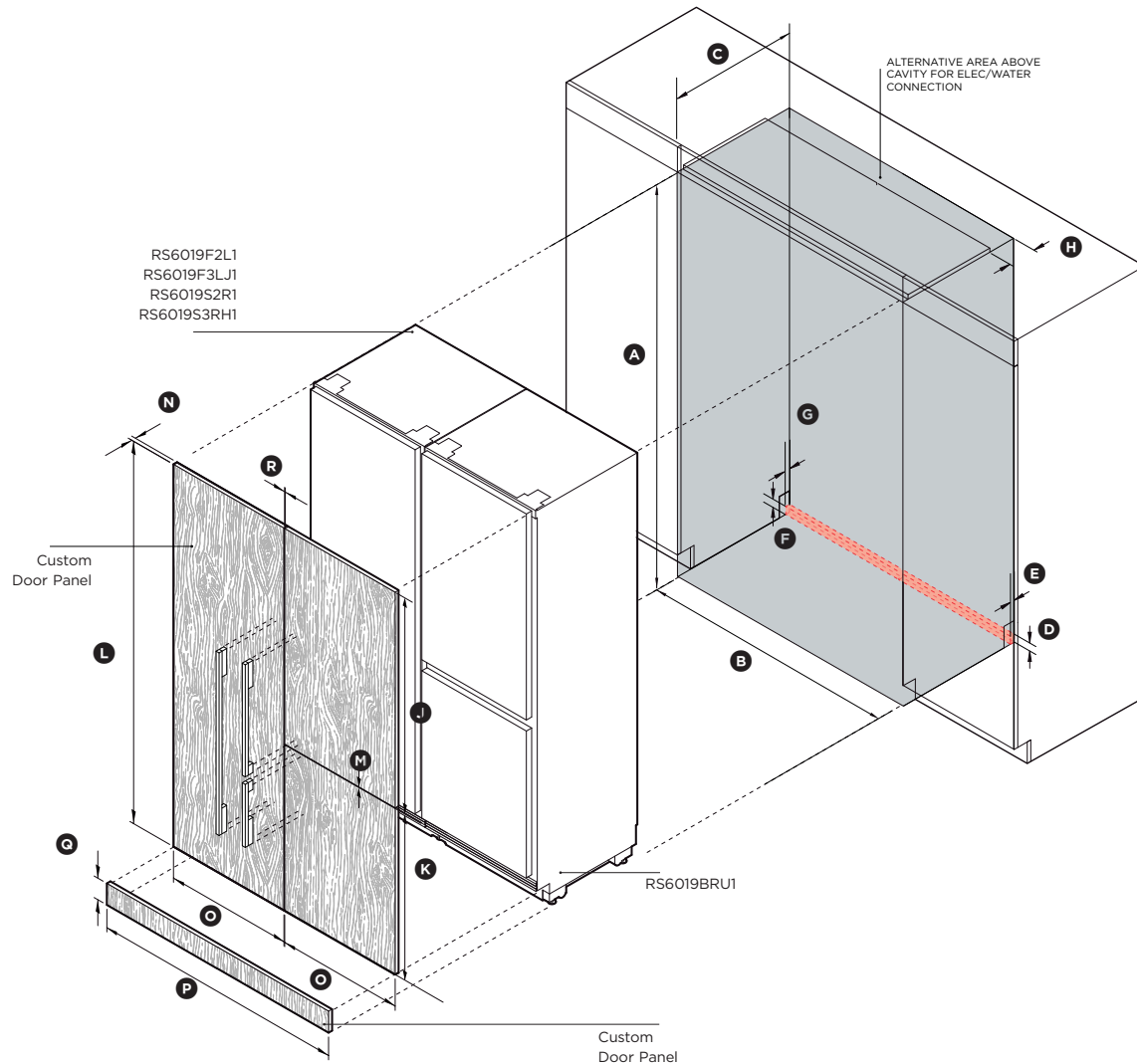
Recommended that services are routed to the adjacent cabinet or either side of the products

HANDLES: Handle Kits are sold separately.

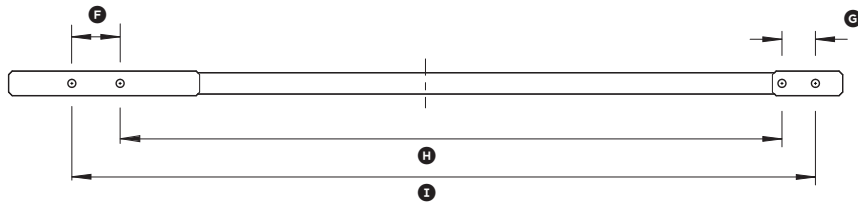
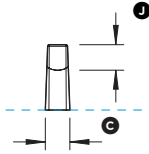
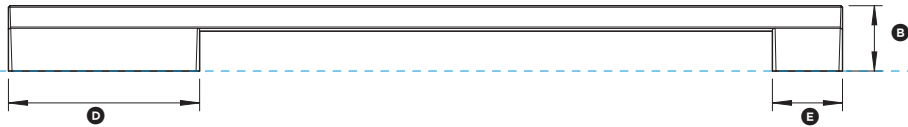
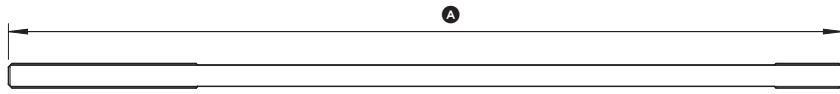
Please refer to the handle datasheets for more information

DATE: 28.11.2022

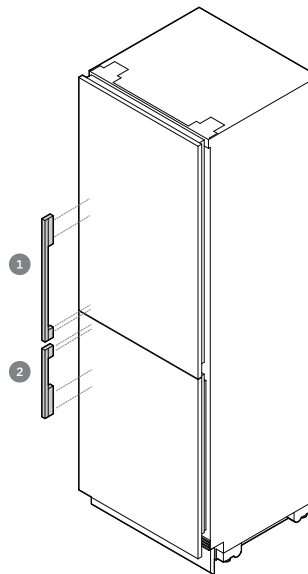
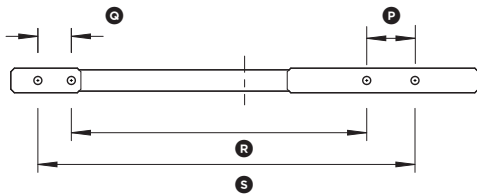
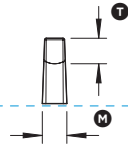
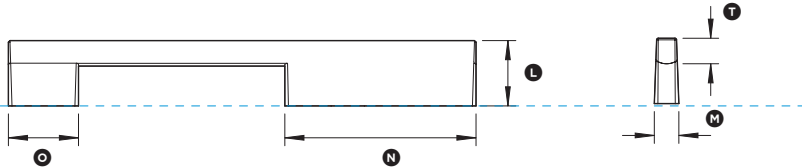
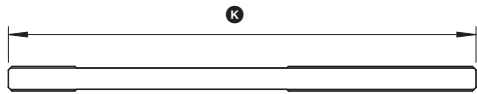
IMPORTANT NOTE: Throughout this guide, dimensions may vary by ±2mm (1/16"). Please read the Installation Guide for detailed information on installing the product. For full installation instructions & specifications visit fisherpaykel.com



1 TOP HANDLE



2 BOTTOM HANDLE



FISHER & PAYKEL

HANDLE DATA SHEET Integrated Refrigerator Freezer, 60cm

Model no:

Square Fine Aluminium Handle AHD5RDB19

Square Fine Aluminium Handle Black AHD5RDB19B

For Model:

RS6019BRU1, Integrated Refrigerator Freezer, 60cm

① Vertical Handle Top Door Dimensions*	mm
Ⓐ Overall length of handle	524
Ⓑ Overall height of handle	41
Ⓒ Overall width of handle	16
Ⓓ Length of off-stand	120
Ⓔ Length of off-stand	44
Ⓕ Distance between attachment holes	30
Ⓖ Distance between attachment holes	21
Ⓗ Distance between inner attachment holes	395
Ⓘ Distance between outer attachment holes	436
Ⓝ Thickness of handle rail	16

② Vertical Handle Bottom Door Dimensions*	mm
Ⓚ Overall length of handle	294
Ⓛ Overall height of handle	41
Ⓜ Overall width of handle	16
Ⓝ Length of off-stand	120
Ⓞ Length of off-stand	44
Ⓟ Distance between attachment holes	30
Ⓡ Distance between attachment holes	21
Ⓢ Distance between inner attachment holes	185
Ⓣ Distance between outer attachment holes	237
Ⓝ Thickness of handle rail	16



M5 X 25mm Pan Head Socket Screw (4 per handle)
Suits standard 19mm panel. Thicker panels may require counterboring or longer screws.

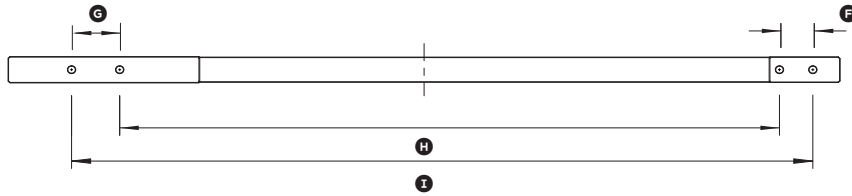
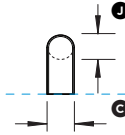
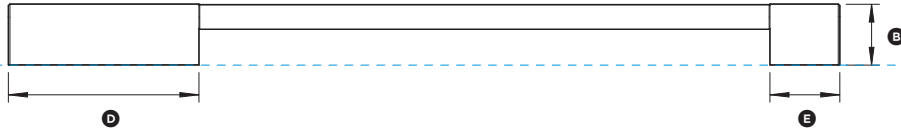
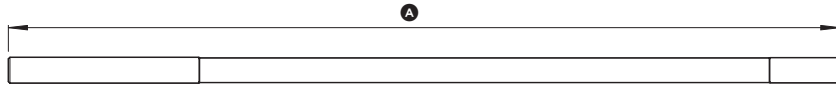
INDICATES PRODUCT DATUM

DATE: 28.11.2022

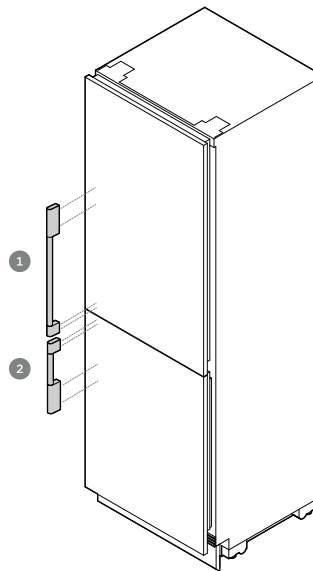
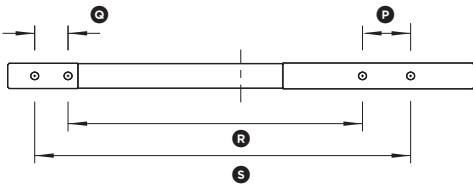
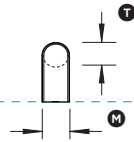
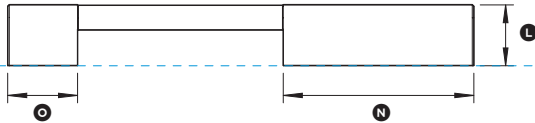
IMPORTANT NOTE: Throughout this guide, dimensions may vary by ±2mm (1/16"). Please read the Installation Guide for detailed information on installing the product. For full installation instructions & specifications visit fisherpaykel.com



1 TOP HANDLE



2 BOTTOM HANDLE



FISHER & PAYKEL

HANDLE DATA SHEET Integrated Refrigerator Freezer, 60cm

Model no:
Round Handle AHSRDB19

For Model:
RS6019BRU1, Integrated Refrigerator Freezer, 60cm

① Vertical Handle Top Door Dimensions*	mm
Ⓐ Overall length of handle	524
Ⓑ Overall height of handle	41
Ⓒ Overall width of handle	17
Ⓓ Length of off-stand	120
Ⓔ Length of off-stand	44
Ⓕ Distance between attachment holes	30
Ⓖ Distance between attachment holes	21
Ⓗ Distance between inner attachment holes	415
Ⓘ Distance between outer attachment holes	467
Ⓝ Thickness of handle rail	17

② Vertical Handle Bottom Door Dimensions*	mm
Ⓚ Overall length of handle	294
Ⓛ Overall height of handle	41
Ⓜ Overall width of handle	17
Ⓝ Length of off-stand	120
Ⓞ Length of off-stand	44
Ⓟ Distance between attachment holes	30
Ⓡ Distance between attachment holes	21
Ⓢ Distance between inner attachment holes	185
Ⓣ Distance between outer attachment holes	237
Ⓤ Thickness of handle rail	17



M5 X 25mm Pan Head Socket Screw (4 per handle)
Suits standard 19mm panel. Thicker panels may require counterboring or longer screws.

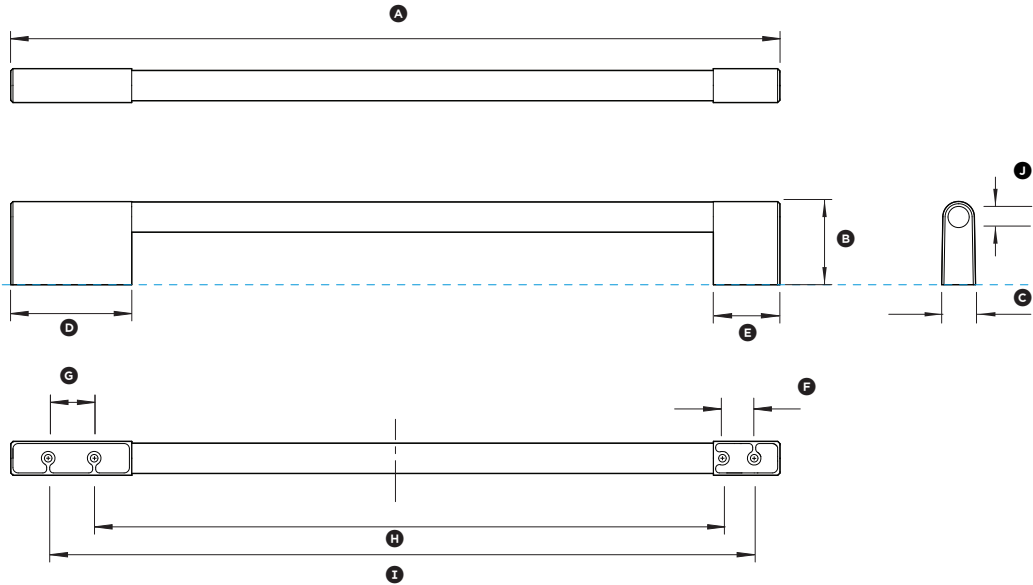
INDICATES PRODUCT DATUM

DATE: 28.11.2022

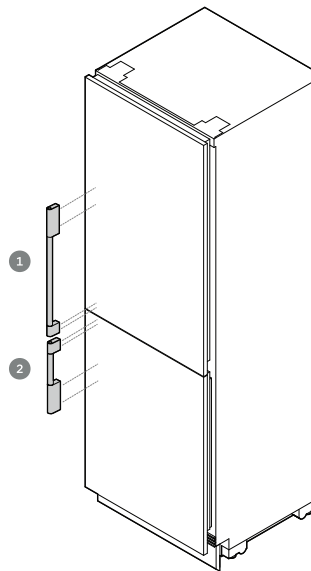
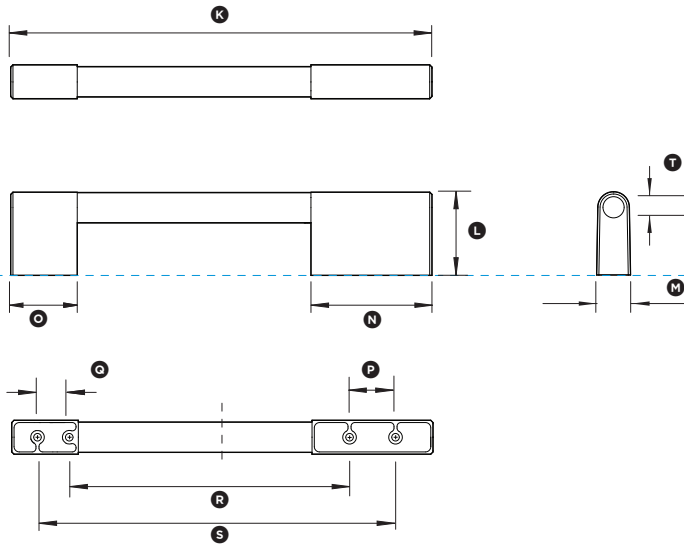
IMPORTANT NOTE: Throughout this guide, dimensions may vary by ±2mm (1/16"). Please read the Installation Guide for detailed information on installing the product. For full installation instructions & specifications visit fisherpaykel.com



1 TOP HANDLE



2 BOTTOM HANDLE



FISHER & PAYKEL

HANDLE DATA SHEET Integrated Refrigerator Freezer, 60cm

Model no:
Classic Handle AHCLRDB

For Model:
RS6019BRU1, Integrated Refrigerator Freezer, 60cm

1 Vertical Handle Top Door Dimensions*		mm
Ⓐ	Overall length of handle	524
Ⓑ	Overall height of handle	55
Ⓒ	Overall width of handle	22
Ⓓ	Length of off-stand	80
Ⓔ	Length of off-stand	44
Ⓕ	Distance between attachment holes	30
Ⓖ	Distance between attachment holes	21
Ⓗ	Distance between inner attachment holes	415
Ⓙ	Distance between outer attachment holes	467
Ⓜ	Thickness of handle rail	20

2 Vertical Handle Bottom Door Dimensions*		mm
Ⓚ	Overall length of handle	294
Ⓛ	Overall height of handle	55
Ⓜ	Overall width of handle	22
Ⓝ	Length of off-stand	80
Ⓞ	Length of off-stand	44
Ⓟ	Distance between attachment holes	30
Ⓡ	Distance between attachment holes	21
Ⓢ	Distance between inner attachment holes	185
Ⓣ	Distance between outer attachment holes	237
Ⓜ	Thickness of handle rail	20



M5 X 25mm Pan Head Socket Screw (4 per handle)
Suits standard 19mm panel. Thicker panels may require counterboring or longer screws.

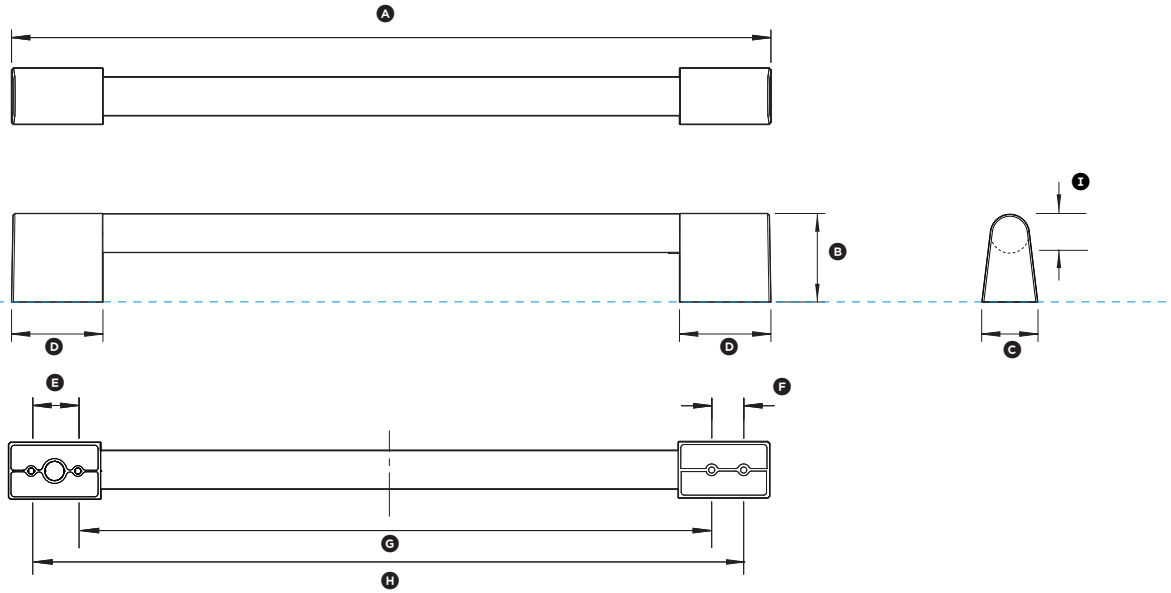
INDICATES PRODUCT DATUM

DATE: 28.11.2022

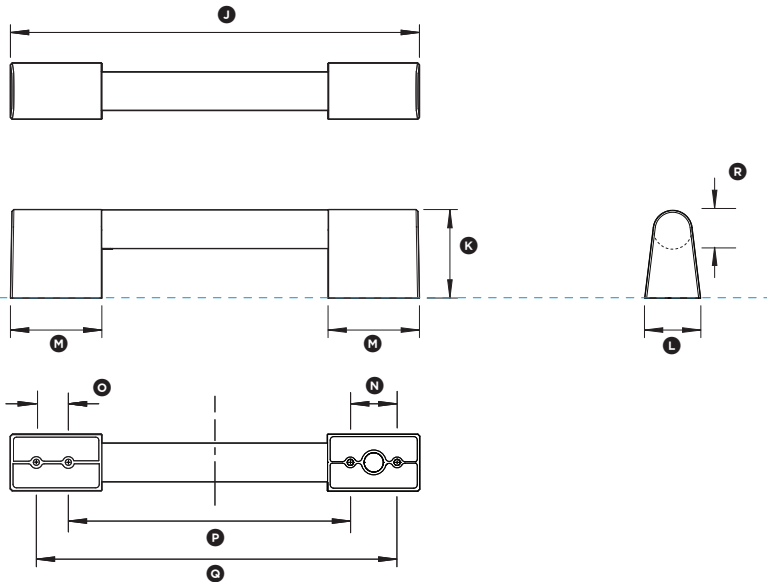
IMPORTANT NOTE: Throughout this guide, dimensions may vary by ±2mm (1/16"). Please read the Installation Guide for detailed information on installing the product. For full installation instructions & specifications visit fisherpaykel.com



1 TOP HANDLE



2 BOTTOM HANDLE



FISHER & PAYKEL

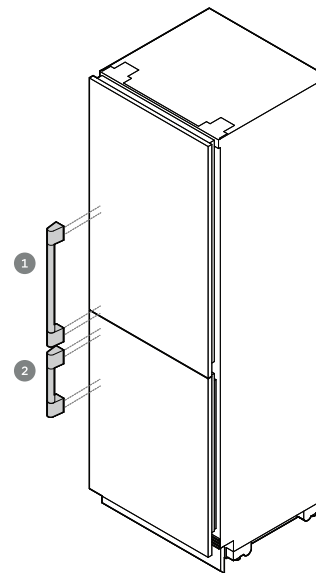
HANDLE DATA SHEET Integrated Refrigerator Freezer, 60cm

Model no:
Professional Flush Handle AHP3RDB19

For Model:
RS6019BRU1, Integrated Refrigerator Freezer, 60cm

① Vertical Handle Top Door Dimensions*	mm
Ⓐ Overall length of handle	499
Ⓑ Overall height of handle	58
Ⓒ Overall width of handle	37
Ⓓ Length of off-stand	60
Ⓔ Distance between attachment holes	30
Ⓕ Distance between attachment holes	21
Ⓖ Distance between inner attachment holes	415
Ⓗ Distance between outer attachment holes	467
Ⓘ Thickness of handle rail	25

② Vertical Handle Bottom Door Dimensions*	mm
ⓐ Overall length of handle	269
ⓑ Overall height of handle	58
ⓓ Overall width of handle	37
ⓔ Length of off-stand	60
ⓖ Distance between attachment holes	30
ⓗ Distance between attachment holes	21
ⓙ Distance between inner attachment holes	185
ⓚ Distance between outer attachment holes	237
ⓛ Thickness of handle rail	25



M5 X 25mm Pan Head Socket Screw (4 per handle)
Suits standard 19mm panel. Thicker panels may require counterboring or longer screws.

INDICATES PRODUCT DATUM

DATE: 28.11.2022

IMPORTANT NOTE: Throughout this guide, dimensions may vary by ±2mm (1/16"). Please read the Installation Guide for detailed information on installing the product. For full installation instructions & specifications visit fisherpaykel.com



Integrated Dual Zone Refrigerator, 60cm

Integrated Dual Zone Freezer, 60cm

Integrated Triple Zone Refrigerator, 60cm

Integrated Triple Zone Freezer, 60cm

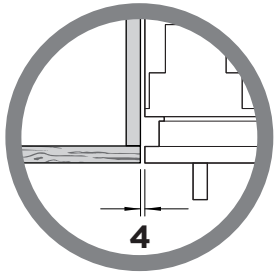
FISHER & PAYKEL

PRODUCT & CAVITY DIMENSIONS Integrated Dual and Triple Zone Refrigerator Integrated Dual and Triple Zone Freezer

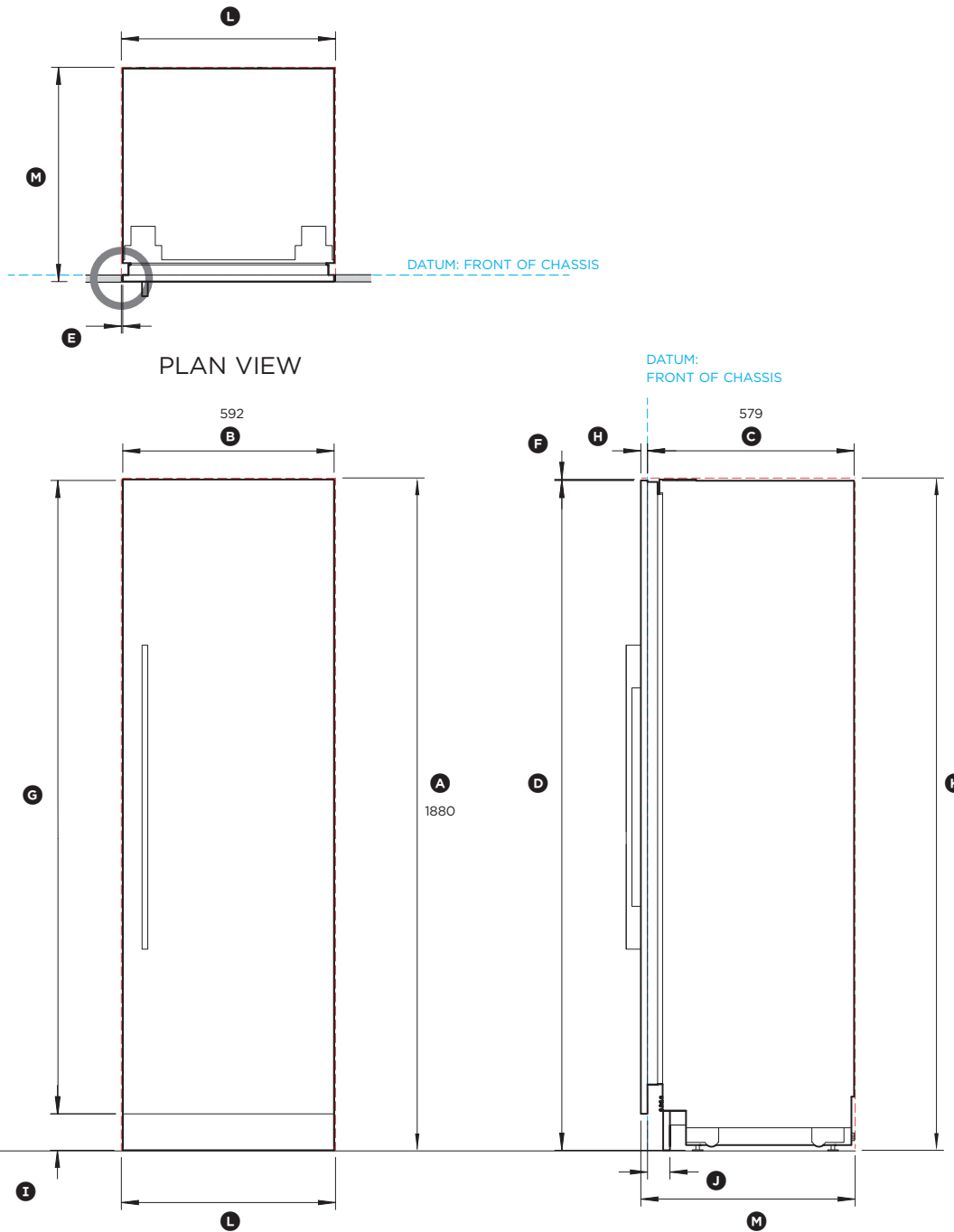
Model No:
RS6019S2R1, RS6019S3RH1
Refrigerator
Stainless Steel Panels RD6019
Handle Kit AHD5RDSF
Stainless Steel Toe Kick Panel AKRS06010

RS6019F2L1, RS6019F3LJ1
Freezer
Stainless Steel Panels RD6019
Handle Kit AHD5RDSF
Stainless Steel Toe Kick Panel AKRS06010

Opposite hinge can be achieved using supplied parts.
Please refer to Installation Guide for details.



VERTICAL GAP
CLEARANCE FROM SIDE
OF DOOR PANEL



FRONT VIEW

PROFILE VIEW

Product Dimensions	mm
Ⓐ Overall height of product	1880
Ⓑ Overall width of product	592
Ⓒ Overall depth of product (excl. front door panels)	579
Ⓓ Height from top of door panel to floor	1877
Ⓔ Minimum cabinetry clearance from side of door panel	4
Ⓕ Minimum cabinetry clearance from top of door panel	3
Ⓖ Height of door panel	1775
Ⓗ Depth of door panel	19
Ⓙ Height from floor to bottom of door panel	102
Ⓚ Depth of toe kick (excl. front door and toe kick panels)	50 - 100

Cavity Dimensions	mm
Ⓧ Overall height of cavity	1880
Ⓨ Overall width of cavity	600
Ⓩ Minimum overall depth of cavity:	
When services are located outside of cavity (shallow)	600
When services are located in the cabinet above the cavity	610
When services are located at rear of cavity (deep)	650

Note: Product shown installed on the floor. Slide into cabinetry position.
Alternatively can be installed on a plinth. Adjust your cavity height accordingly.

INDICATES CAVITY CLEARANCES (dashed red line)
INDICATES PRODUCT DATUM (dashed blue line)

DATE: 28.11.2022

IMPORTANT NOTE: Throughout this guide, dimensions may vary by ±2mm (1/16"). Please read the Installation Guide for detailed information on installing the product. For full installation instructions & specifications visit fisherpaykel.com

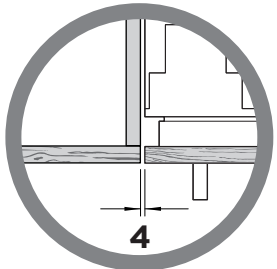


FISHER & PAYKEL

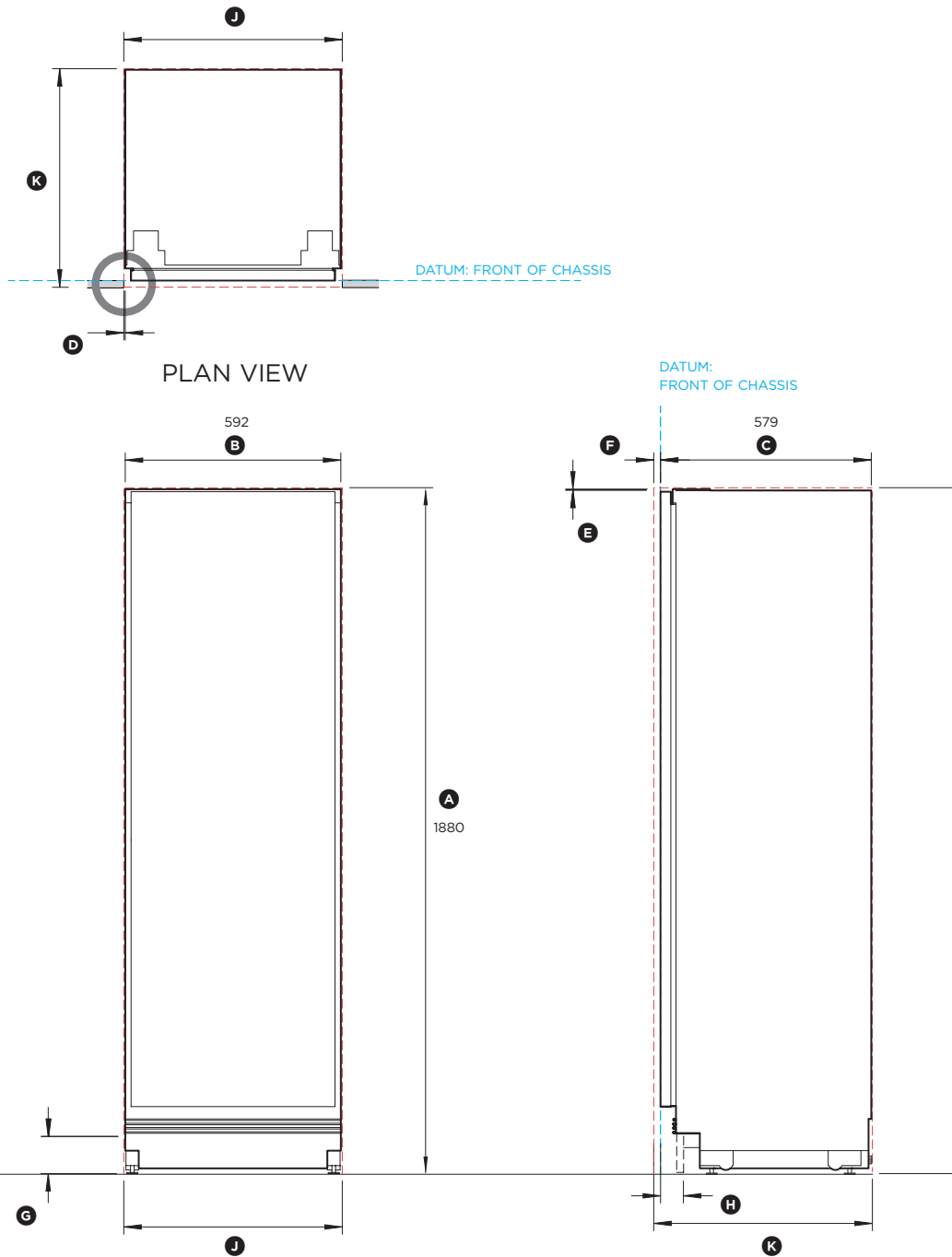
PRODUCT & CAVITY DIMENSIONS Integrated Dual and Triple Zone Refrigerator Integrated Dual and Triple Zone Freezer

Model No:
RS6019S2R1, RS6019S3RH1
 Integrated Dual and Triple Zone Refrigerator
RS6019F2L1, RS6019F3LJ1
 Integrated Dual and Triple Zone Freezer

Opposite hinge can be achieved using supplied parts.
 Please refer to Installation Guide for details.



VERTICAL GAP
 CLEARANCE FROM SIDE
 OF DOOR PANEL



PLAN VIEW

FRONT VIEW

PROFILE VIEW

Product Dimensions	mm
Ⓐ Overall height of product	1880
Ⓑ Overall width of product	592
Ⓒ Overall depth of product	579
Ⓓ Minimum cabinetry clearance from side of door panel*	4
Ⓔ Minimum cabinetry clearance from top of door panel*	3
Ⓕ Depth of door panel*	16 - 19
Ⓖ Height of toe kick panel*	100
Ⓗ Depth of toe kick (excl. front door and toe kick panels)	50 - 100

Cavity Dimensions	mm
Ⓐ Overall height of cavity	1880
Ⓑ Overall width of cavity	600
Ⓒ Minimum overall depth of cavity:	
When services are located outside of cavity (shallow)	600
When services are located in the cabinet above the cavity	610
When services are located at rear of cavity (deep)	650

Note: Product shown installed on the floor. Slide into cabinetry position.
 Alternatively can be installed on a plinth. Adjust your cavity height accordingly.

For Custom Panel dimensions refer to page 26.
 *Custom door panel and toe kick panel to be manufactured and fitted by cabinetmaker.

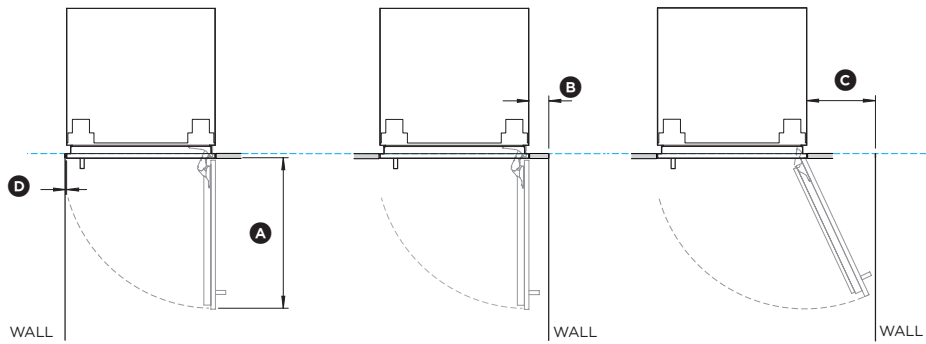
INDICATES CAVITY CLEARANCES (dashed red line)
 INDICATES PRODUCT DATUM (dashed blue line)

DATE: 28.11.2022

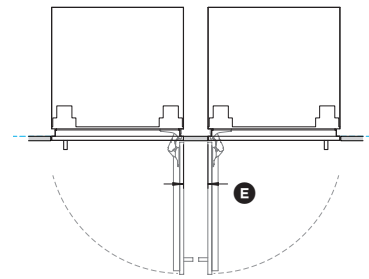
IMPORTANT NOTE: Throughout this guide, dimensions may vary by ±2mm (1/16"). Please read the Installation Guide for detailed information on installing the product. For full installation instructions & specifications visit fisherpaykel.com



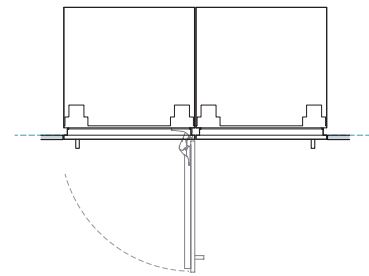
CLEARANCES



CONFIGURATIONS

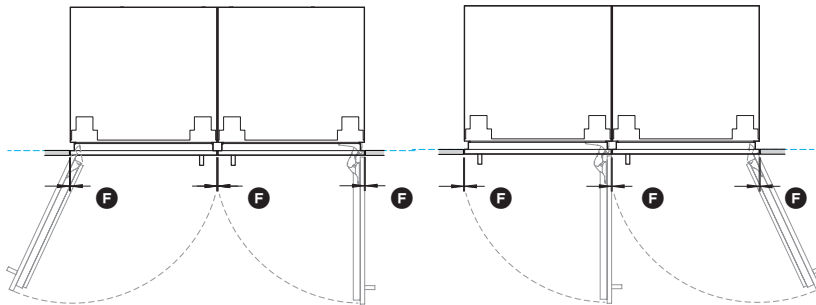


HINGE TO HINGE
Both doors open at the same time
- requires space between models

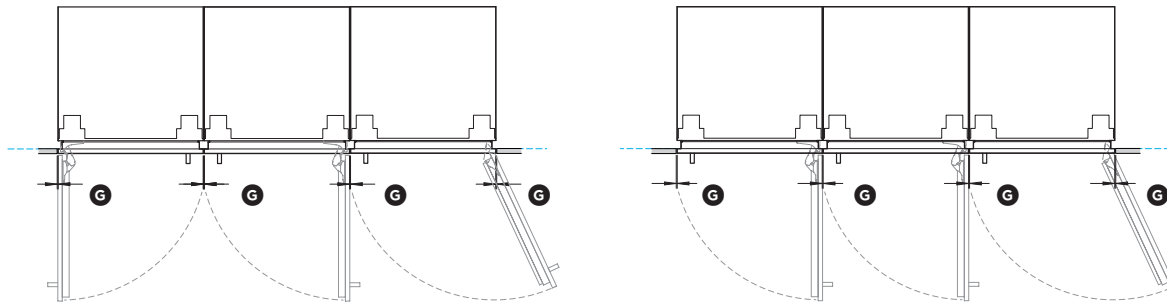


HINGE TO HINGE
Only allows a single door open at a time

DUAL INSTALL



TRIPLE INSTALL



FISHER & PAYKEL

DOOR OPENINGS & CLEARANCE DIMENSIONS

Integrated Dual and Triple Zone Refrigerator
Integrated Dual and Triple Zone Freezer

Model No:
RS6019S2R1, RS6019S3RH1
Integrated Dual and Triple Zone Refrigerator
RS6019F2L1, RS6019F3LJ1
Integrated Dual and Triple Zone Freezer

Opposite hinge can be achieved using supplied parts.

Clearance Dimensions	mm
Ⓐ Depth of door (90° open, measured from front of cabinetry)	600
Ⓑ Minimum door clearance to adjacent wall (90° - reduced internal access)* **	80
Ⓒ Minimum door clearance to adjacent wall (115° - full internal access)* **	273
Ⓓ Minimum cabinetry clearance from side of door panel to adjacent wall (non hinge side)	4
Ⓔ Minimum clearance between products when opening hinge to hinge. Allowing both doors to open at the same time**	100

Minimum Door Clearance (Vertical Gap)	mm
Ⓕ Dual Install:	
Stainless steel door panels (gaps equalized during installation)	5
Custom panels (width of custom panel increased to maintain 4mm gap across multiple products)***	4
Ⓖ Triple Install:	
Stainless steel door panels (gaps equalized during installation)	6
Custom panels (width of custom panel increased to maintain 4mm gap across multiple products)***	4

*Use hinge limiting pin to restrict door opening to 90° where necessary.

**Minimum dimensions shown are for the contemporary handle kit AHD5RDSF. Custom panel and handle details need to be taken into account.

***Refer to Custom Panel Dimensions and Multiple Install pages for further.

INDICATES CAVITY CLEARANCES -----
INDICATES PRODUCT DATUM - - - - -

DATE: 28.11.2022

IMPORTANT NOTE: Throughout this guide, dimensions may vary by ±2mm (1/16"). Please read the Installation Guide for detailed information on installing the product. For full installation instructions & specifications visit fisherpaykel.com

FISHER & PAYKEL

CUSTOM PANEL PREPARATION - HINGE Integrated Dual and Triple Zone Refrigerator Integrated Dual and Triple Zone Freezer

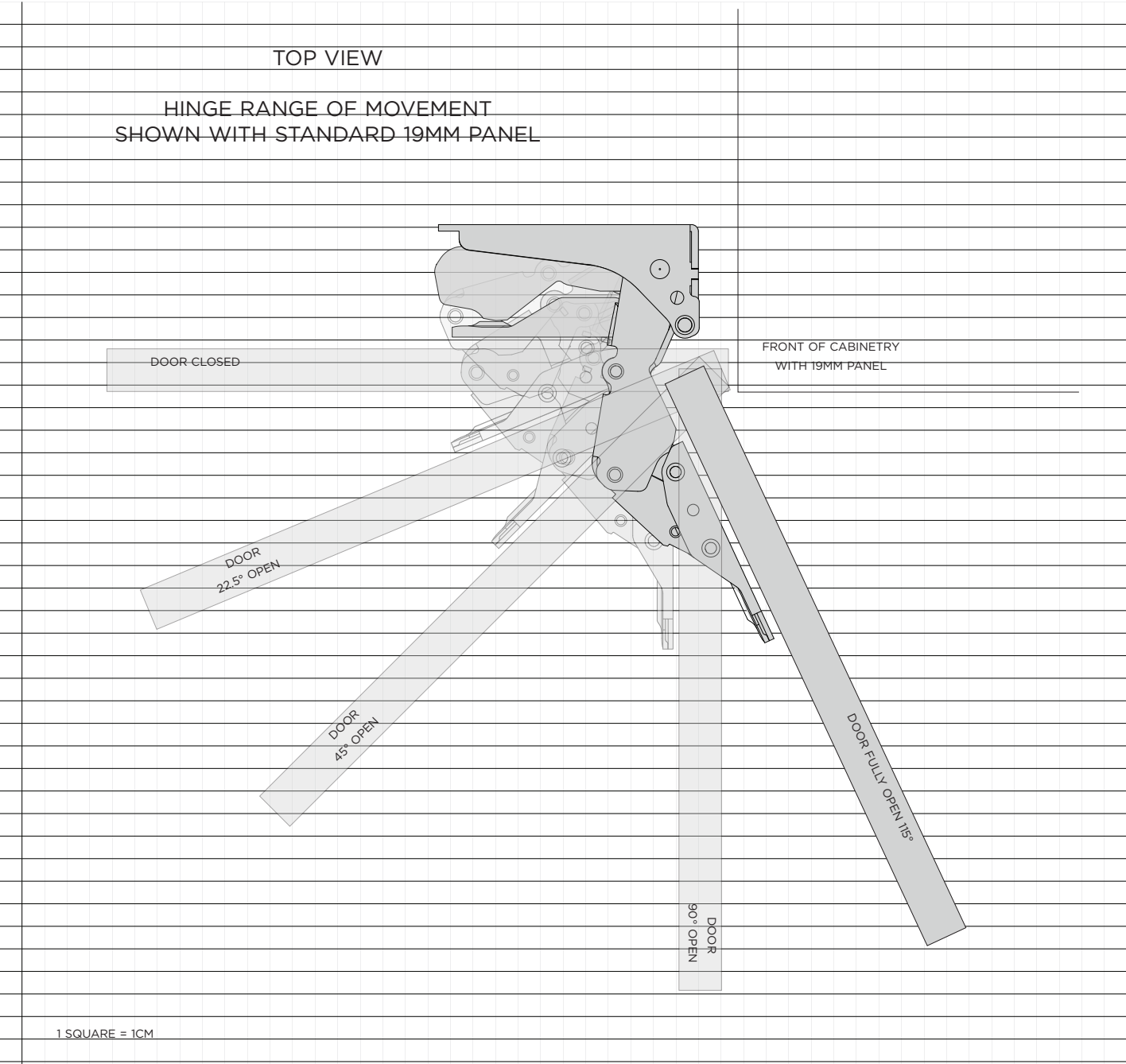
Model nos:
RS6019S2R1, RS6019S3RH1
Integrated Dual and Triple Zone Refrigerator
RS6019F2L1, RS6019F3LJ1
Integrated Dual and Triple Zone Freezer

Opposite hinge can be achieved using supplied parts.
Please refer to Installation Guide for details.

Dwg & Dxf Files

Dwg and Dxf files of the panel preparation are available within the download folder for this product and can be found on <http://thekitchentools.fisherpaykel.com>

Door Hinge - Hettich K08



DATE: 28.11.2022

IMPORTANT NOTE: Throughout this guide, dimensions may vary by ±2mm (1/16"). Please read the Installation Guide for detailed information on installing the product. For full installation instructions & specifications visit fisherpaykel.com

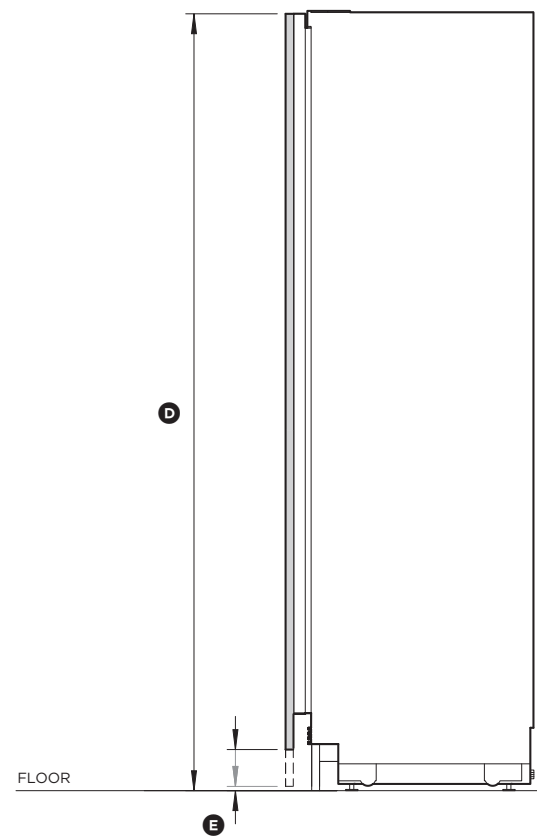
FISHER & PAYKEL

CUSTOM PANEL DIMENSIONS Integrated Dual and Triple Zone Refrigerator Integrated Dual and Triple Zone Freezer

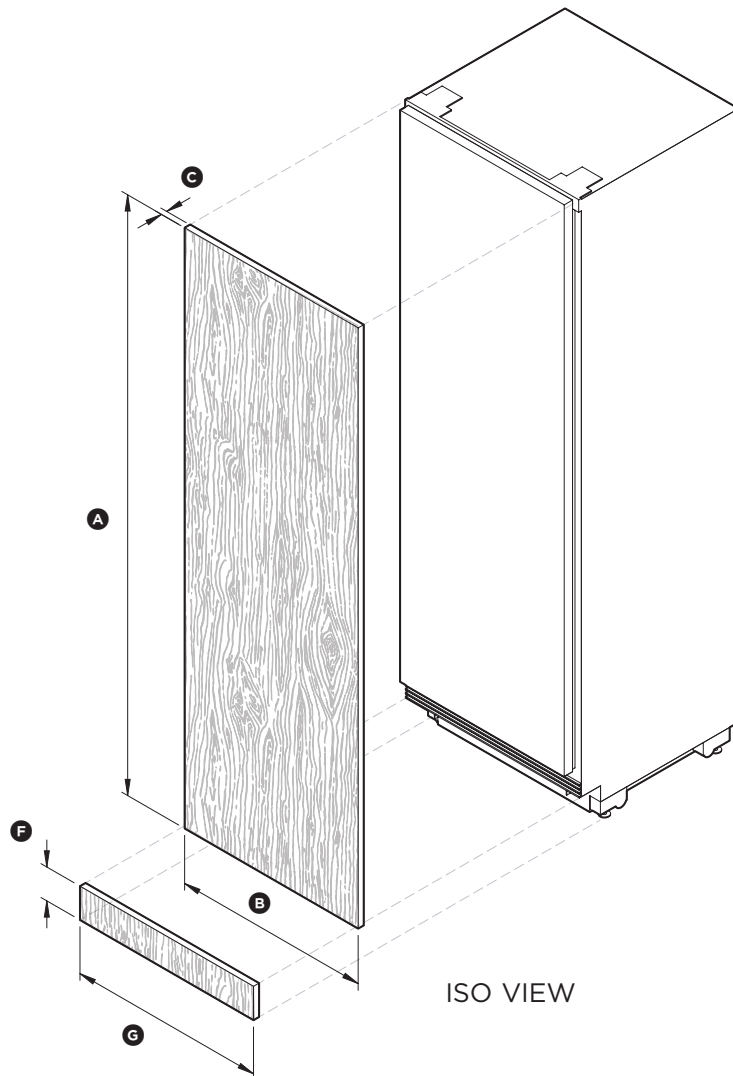
Model No:

RS6019S2R1, RS6019S3RH1
Integrated Dual and Triple Zone Refrigerator
RS6019F2L1, RS6019F3LJ1
Integrated Dual and Triple Zone Freezer
Custom Panels

Opposite hinge can be achieved using supplied parts.
Please refer to Installation Guide for details.



PROFILE VIEW



ISO VIEW

Custom Panel Dimensions	mm
Ⓐ Height of door panel	1727 - 1862
Ⓑ Width of door panel:	
Single install	592
Dual install*	594
Triple install*	594.5
Ⓒ Depth of custom panel**	16 - 19
Ⓓ Height from floor to top of door panel	1877
Ⓔ Height from floor to bottom of door panel***	15 - 150
Ⓕ Height of toe kick panel	100
Ⓖ Width of toe kick panel****	597
Maximum weight of door panel*****	19kg

Custom door panel, handle and toe kick panel to be manufactured and fitted by cabinetmaker.

*For further details on multiple installation refer to page 31.

**At 19mm thickness, we recommend an edge radius of 1mm or more to avoid the possibility of panel clash when opening.

***The grille becomes visible at heights over 100mm.

****Toe kick can be continuous.

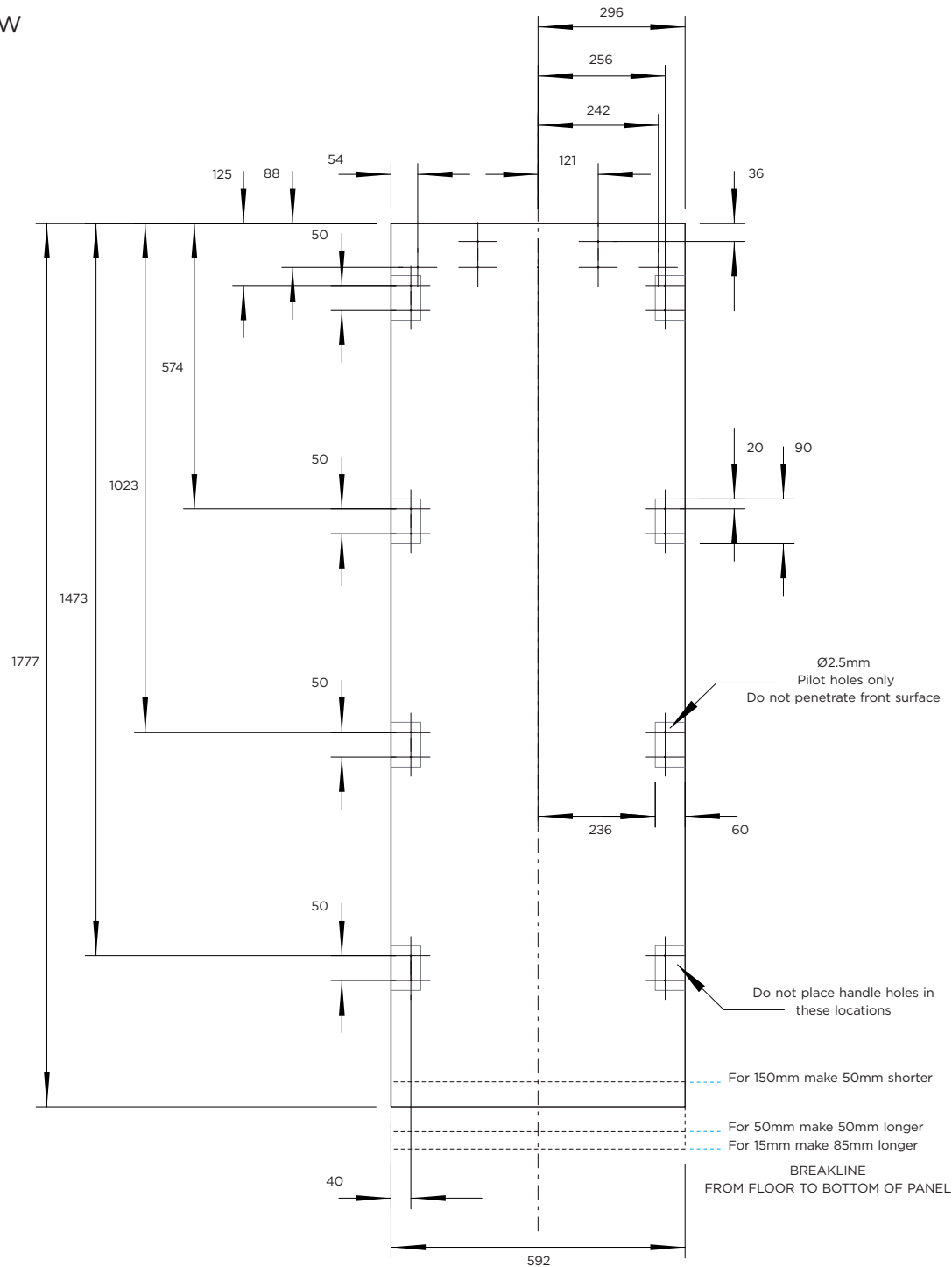
*****Includes weight of handle.

DATE: 28.11.2022

IMPORTANT NOTE: Throughout this guide, dimensions may vary by $\pm 2\text{mm}$ ($1/16''$). Please read the Installation Guide for detailed information on installing the product. For full installation instructions & specifications visit fisherpaykel.com



REAR VIEW



FISHER & PAYKEL

CUSTOM PANEL PREPARATION Integrated Dual and Triple Zone Refrigerator Integrated Dual and Triple Zone Freezer

Model No:

RS6019S2R1, RS6019S3RH1
Integrated Dual and Triple Zone Refrigerator
RS6019F2L1, RS6019F3LJ1
Integrated Dual and Triple Zone Freezer

Opposite hinge can be achieved using supplied parts.
Please refer to Installation Guide for details.

Custom Panel Preparation

Dimensions are shown in millimetres (mm).

Dimensions apply for the preparation and installation of custom panels.

Handles

Ensure handle screw heads are countersunk into back of panel to avoid interfering with hanging bracket, and clear of side brackets as indicated.

Dwg & Dxf Files

Dwg and Dxf files of the panel preparation can be downloaded from Trade Resources www.fisherpaykel.com

Template

A template for marking and drilling the holes is provided with the product.

DATE: 28.11.2022

IMPORTANT NOTE: Throughout this guide, dimensions may vary by ±2mm (1/16"). Please read the Installation Guide for detailed information on installing the product. For full installation instructions & specifications visit fisherpaykel.com

FISHER & PAYKEL

CAVITY PREPARATION Integrated Dual and Triple Zone Refrigerator Integrated Dual and Triple Zone Freezer

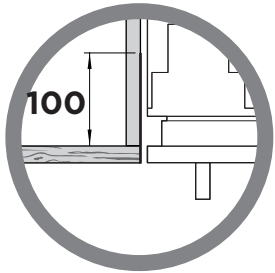
Model No:

RS6019S2R1, RS6019S3RH1
Integrated Dual and Triple Zone Refrigerator
RS6019F2L1, RS6019F3LJ1
Integrated Dual and Triple Zone Freezer

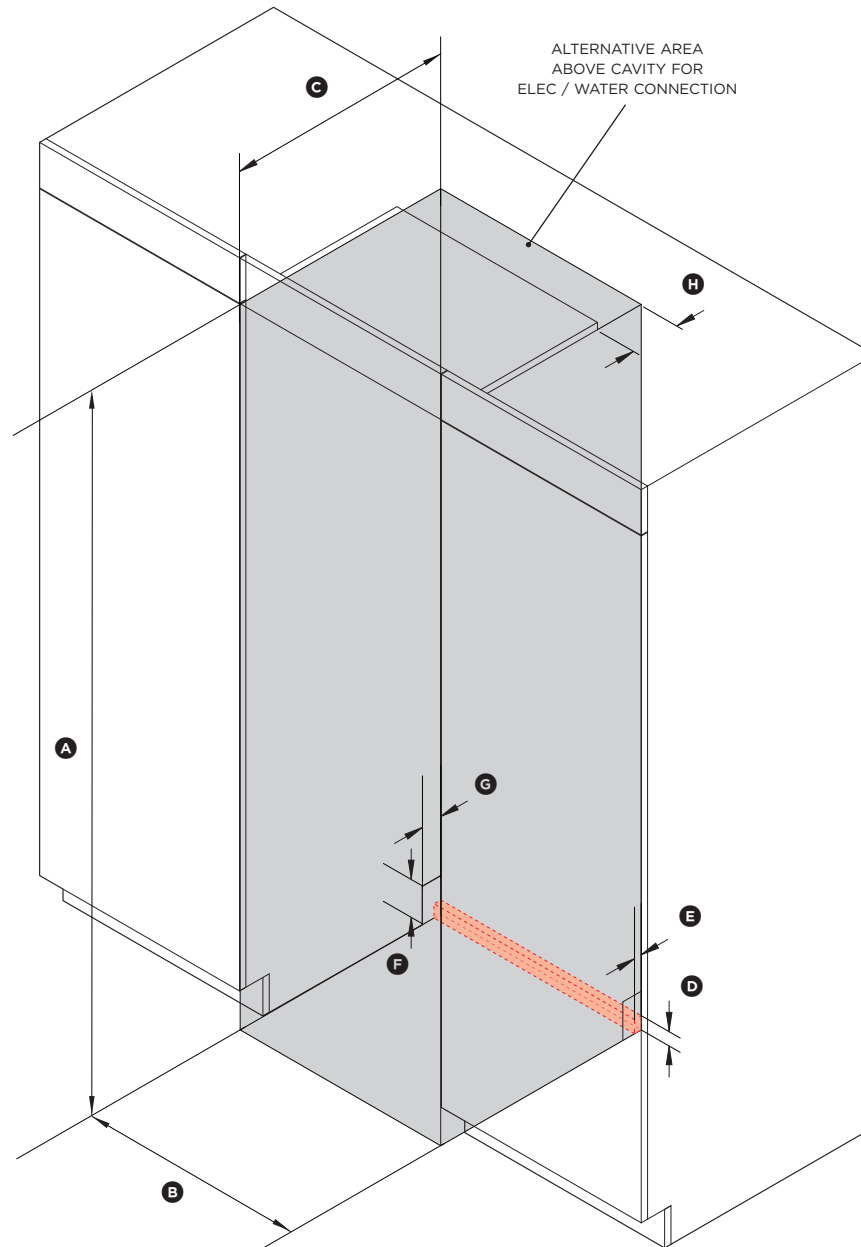
Opposite hinge can be achieved using supplied parts.
Please refer to Installation Guide for details.

IMPORTANT!

For ease of installation, ensure cavity has consistent dimensions top to bottom and left to right.



FINISHED RETURN
CAVITY SIDES & TOP



ISO VIEW

Minimum Cavity Dimensions	mm
Ⓐ Overall height of cavity	1880
Ⓑ Overall width of cavity	600
Ⓒ Minimum overall depth of cavity:	
When services are located outside of cavity (shallow)	600
When services are located in the cabinet above the cavity	610
When services are located at rear of cavity (deep)	650
Minimum required finished return	100

Electrical / Plumbing Supply Dimensions	mm
Ⓓ Overall height of supply routing area at rear of cavity	37
Overall width of supply routing area at rear of cavity	600
Ⓔ Overall depth of supply routing area at rear of cavity	20
Ⓕ Height of notch at rear of cavity for services to be routed into adjacent cabinet (either side)	100
Ⓖ Depth of notch at rear of cavity for services to be routed into adjacent cabinet (either side)	55
Ⓗ Minimum depth above cavity for services to be routed through	55

NOTE: Recommended that services are routed to the adjacent cabinet or either side of the product.

DATE: 28.11.2022

IMPORTANT NOTE: Throughout this guide, dimensions may vary by $\pm 2\text{mm}$ ($1/16''$). Please read the Installation Guide for detailed information on installing the product. For full installation instructions & specifications visit fisherpaykel.com

FISHER & PAYKEL

POWER AND WATER CONNECTIONS Integrated Dual and Triple Zone Refrigerator Integrated Dual and Triple Zone Freezer

Model No:

RS6019S2R1, RS6019S3RH1
Integrated Dual and Triple Zone Refrigerator
RS6019F2L1, RS6019F3LJ1
Integrated Dual and Triple Zone Freezer

Opposite hinge can be achieved using supplied parts.
Please refer to Installation Guide for details.

Specifications

Electrical

Supply 230 VAC, 50 Hz

Service 10 amp circuit

Plumbing

Supply Water Filter
UK EU IE SG HK Braided hose, 7/16" x 24 UNS to 3/4" BSP
NZ AU Braided hose, 7 x 16-24 UNS to 1/2" BSP

Pressure min 275 kPa (40 psi)
max 827 kPa (120 psi)

NOTE: Recommended that services are routed to the adjacent cabinet.

Hose and Cord Lengths

Electrical

Ⓐ Power cord length (from the left edge of the product)* 1800

Ⓑ Power cord length (from the right edge of the product)* 2000

Ⓒ Power cord length (from the top of the product)* 380

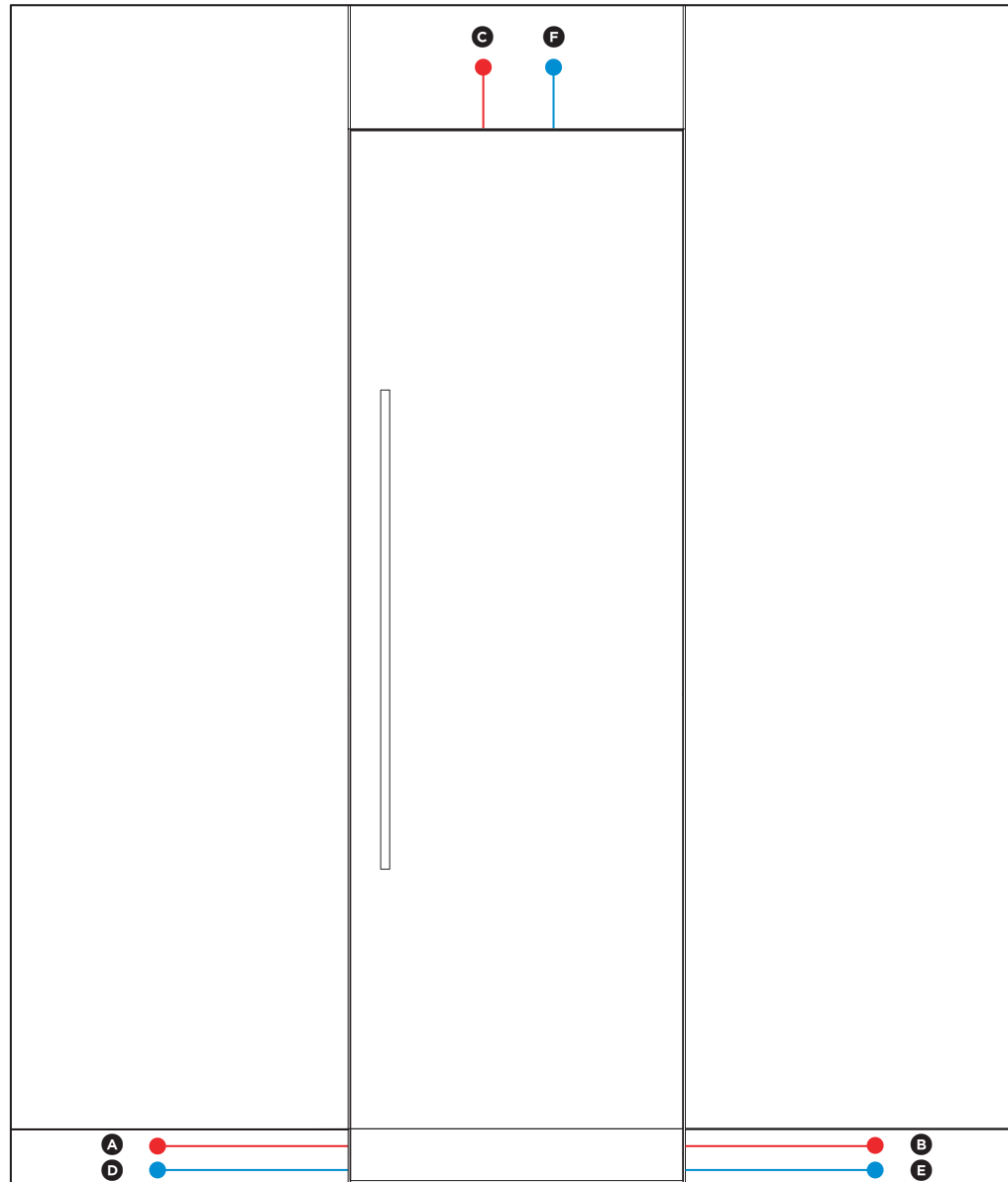
Water

Ⓓ Water inlet hose length (from the left edge of the product) 2450

Ⓔ Water inlet hose length (from the right edge of the product) 2000

Ⓕ Water inlet hose length (from the top of the product) 700

* Excluding plug.



LEFT HAND SIDE

FRONT VIEW

RIGHT HAND SIDE

DATE: 28.11.2022

IMPORTANT NOTE: Throughout this guide, dimensions may vary by ±2mm (1/16"). Please read the Installation Guide for detailed information on installing the product. For full installation instructions & specifications visit fisherpaykel.com

FISHER & PAYKEL

MULTIPLE INSTALLATION - STAINLESS STEEL DOOR PANELS Integrated Refrigerator Freezer, 60cm Integrated Dual and Triple Zone Refrigerator Integrated Dual and Triple Zone Freezer

Model no:

RS6019BRU1

Stainless Steel Door Panel RD6019BR

RS6019F2L1, RS6019F3LJ1, RS6019S2R1, RS6019S3RH1

Stainless Steel Door Panel RD6019

Stainless Steel Toe kick for Dual Installation AKRS12010

Joiner Kit AJRS19LR

IMPORTANT!

For ease of installation, ensure cavity has consistent dimensions top to bottom and left to right.

Clearance Dimensions	mm
Ⓐ Overall height of cavity	1880
Ⓑ Overall width of cavity	1200
Ⓒ Minimum overall depth of cavity: When services are located outside of cavity (shallow)	600
When services are located in the cabinet above the cavity	610
When services are located at rear of cavity (deep)	650
Ⓓ Overall height of supply routing area at rear of cavity	37
Ⓔ Overall depth of supply routing area at rear of cavity	20
Ⓕ Height of notch at rear of cavity for services to be routed into adjacent cabinet (either side)	100
Ⓖ Height of notch at rear of cavity for services to be routed into adjacent cabinet (either side)	55
Ⓗ Minimum depth above cavity for services to be routed through	55

Stainless Steel Panel Dimensions	mm
Ⓙ Height of fridge top door panel	1001
Ⓚ Height of freezer bottom door panel	771
Ⓛ Height of freezer or fridge door panel	1775
Ⓜ Gap between door and drawer panel	3
Ⓝ Depth of door panel	19
Ⓞ Width of door panel	603
Ⓟ Width of toe kick panel	1216
Ⓠ Height of toe kick panel	102
Ⓡ Gap between the center of the door panel	5

Dual Installation 1 Joiner Kit required - AJRS19LR

Triple Installation 2 Joiner Kits required - AJRS19LR

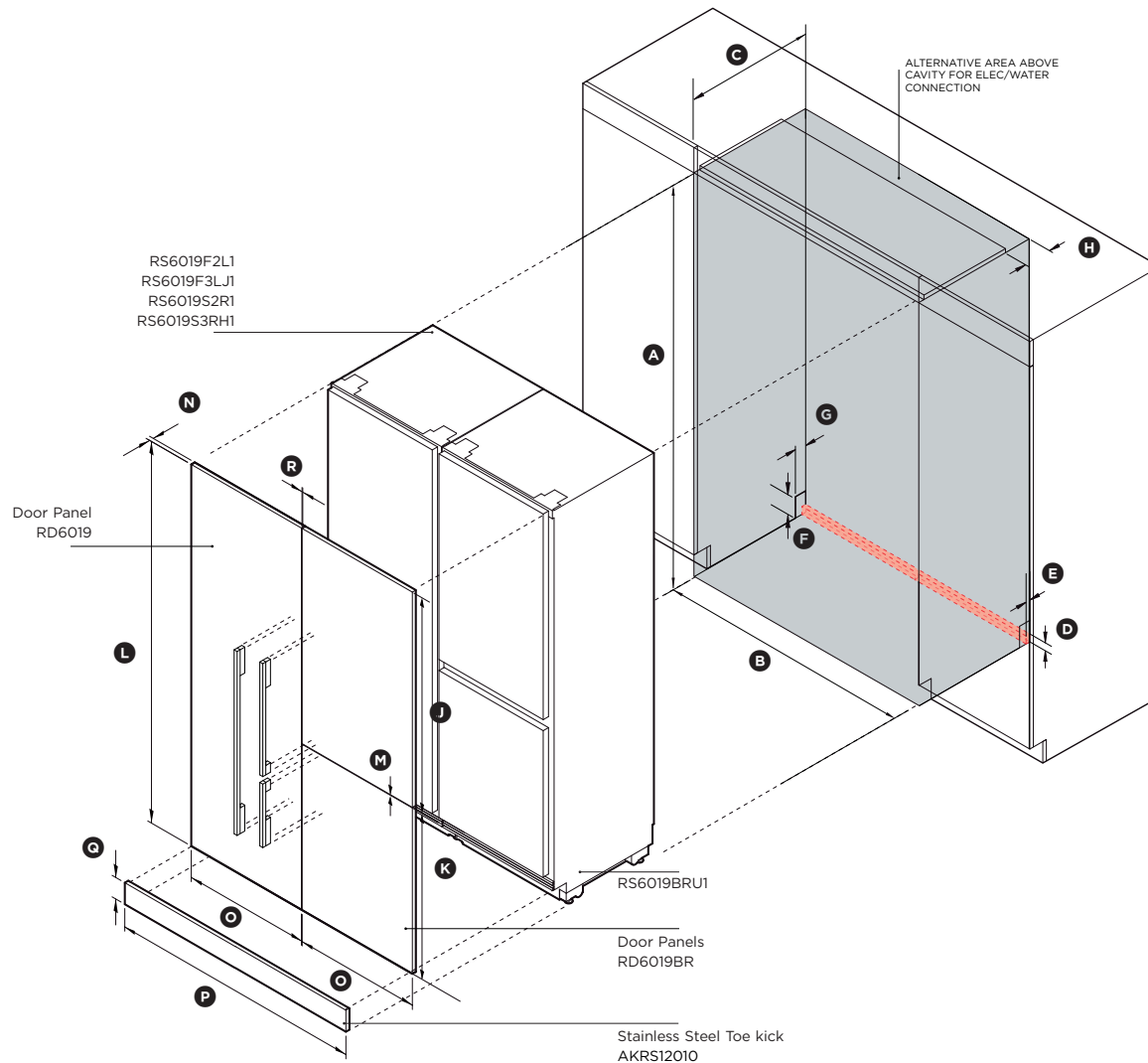
Recommended that services are routed to the adjacent cabinet or either side of the products.

HANDLES: Handle Kits are sold separately.

Please refer to the handle datasheets for more information.

DATE: 28.11.2022

IMPORTANT NOTE: Throughout this guide, dimensions may vary by ±2mm (1/16"). Please read the Installation Guide for detailed information on installing the product. For full installation instructions & specifications visit fisherpaykel.com



FISHER & PAYKEL

MULTIPLE INSTALLATION - CUSTOM DOOR PANELS Integrated Refrigerator Freezer, 60cm Integrated Dual and Triple Zone Refrigerator Integrated Dual and Triple Zone Freezer

Model no:
RS6019BRU1
Custom Door Panels

RS6019F2L1, RS6019F3LJ1, RS6019S2R1 or RS6019S3RH1
Custom Door Panel and Custom Toe kick
Joiner Kit AJRS19LR

IMPORTANT!

For ease of installation, ensure cavity has consistent dimensions top to bottom and left to right.

Clearance Dimensions	mm
Ⓐ Overall height of cavity	1880
Ⓑ Overall width of cavity	1200
Ⓒ Minimum overall depth of cavity:	
When services are located outside of cavity (shallow)	600
When services are located in the cabinet above the cavity	610
When services are located at rear of cavity (deep)	650
Ⓓ Overall height of supply routing area at rear of cavity	37
Ⓔ Overall depth of supply routing area at rear of cavity	20
Ⓕ Height of notch at rear of cavity for services to be routed into adjacent cabinet (either side)	100
Ⓖ Height of notch at rear of cavity for services to be routed into adjacent cabinet (either side)	55
Ⓜ Minimum depth above cavity for services to be routed through	55

Custom Door Panel Dimensions	mm
Ⓛ Height of fridge top door panel	1001
Ⓚ Height of freezer bottom door panel	723-858
Ⓛ Height of freezer or fridge door panel	1727-1862
Ⓜ Gap between door and drawer panel	3
Ⓝ Depth of door panel	16-19
Ⓞ Width of door panel	594
Ⓟ Width of toe kick panel	1194
Ⓠ Height of toe kick panel	102
Ⓡ Gap between the center of the door panel	4

Dual Installation 1 Joiner Kit required - AJRS19LR
Triple Installation 2 Joiner Kits required - AJRS19LR

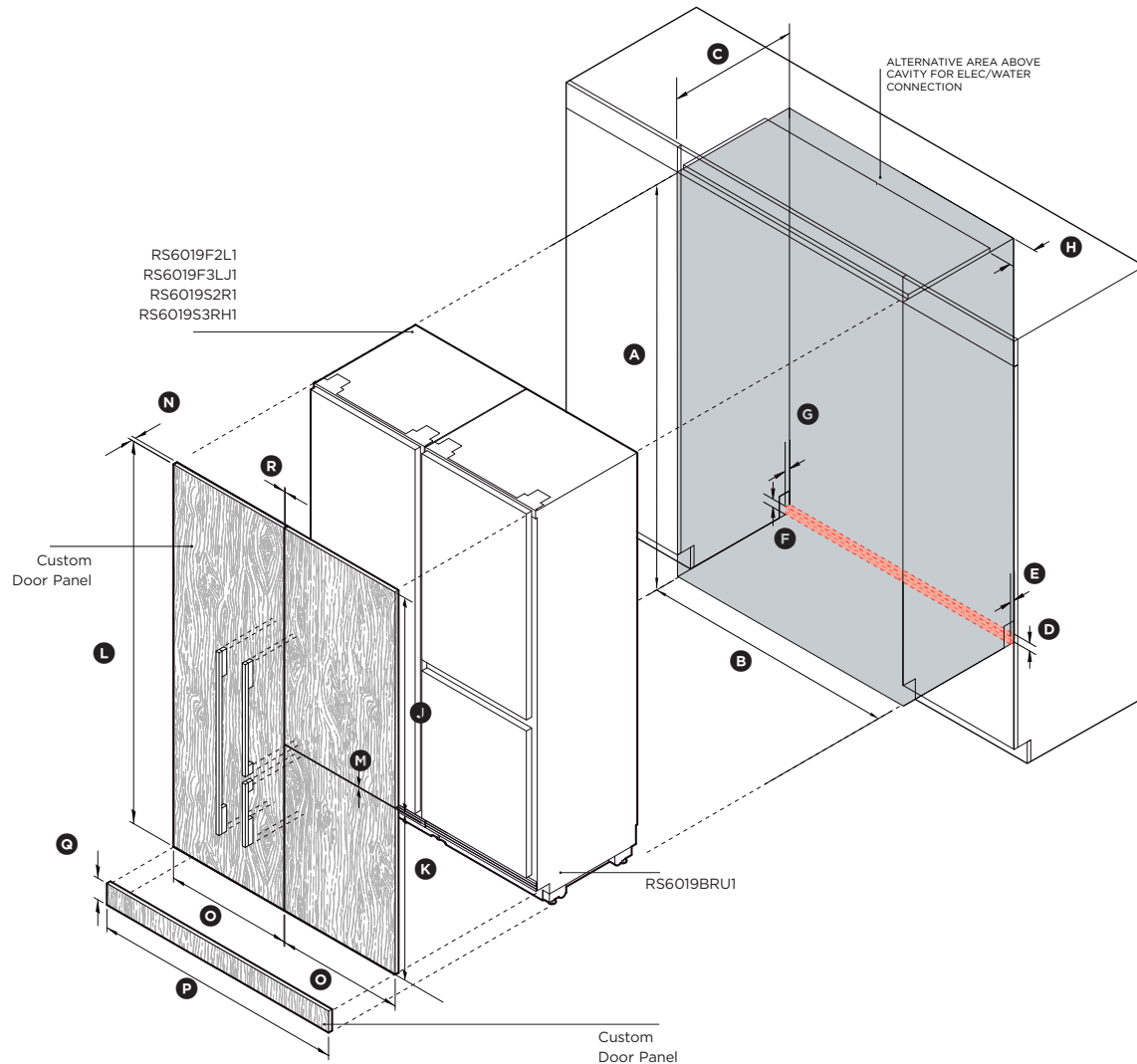
Recommended that services are routed to the adjacent cabinet or either side of the products

HANDLES: Handle Kits are sold separately.

Please refer to the handle datasheets for more information.

DATE: 28.11.2022

IMPORTANT NOTE: Throughout this guide, dimensions may vary by ±2mm (1/16"). Please read the Installation Guide for detailed information on installing the product. For full installation instructions & specifications visit fisherpaykel.com



FISHER & PAYKEL

HANDLE DATA SHEET Integrated Dual and Triple Zone Refrigerator Integrated Dual and Triple Zone Freezer

Model no:

Square Fine Aluminium Handle AHD5RDS19

Square Fine Aluminium Handle Black AHD5RDS19B

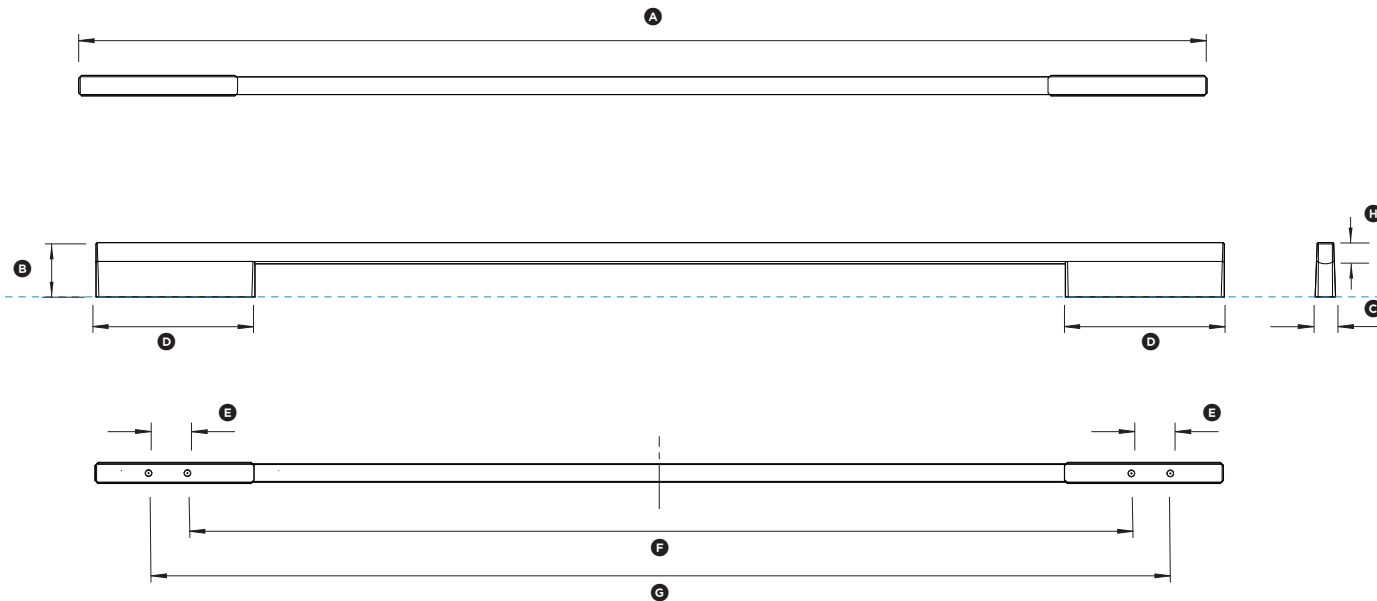
For Models:

RS6019S2R1, RS6019S3RH1

Integrated Dual and Triple Zone Refrigerator

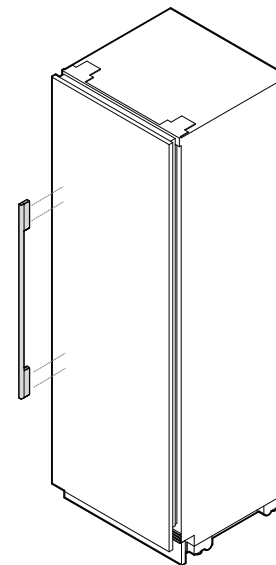
RS6019F2L1, RS6019F3LJ1

Integrated Dual and Triple Zone Freezer



Handle Dimensions

Handle Dimensions	mm
A Overall length of handle	852
B Overall height of handle	41
C Overall width of handle	15
D Length of off-stand	120
E Distance between attachment holes	30
F Distance between inner attachment holes	712
G Distance between outer attachment holes	773
H Thickness of handle rail	16



M5 X 25mm Pan Head Socket Screw (4 per handle)
Suits standard 19mm panel. Thicker panels may require counterboring
or longer screws.

INDICATES PRODUCT DATUM

DATE: 28.11.2022

IMPORTANT NOTE: Throughout this guide, dimensions may vary by $\pm 2\text{mm}$ ($1/16''$). Please read the Installation Guide for detailed information on installing the product. For full installation instructions & specifications visit fisherpaykel.com

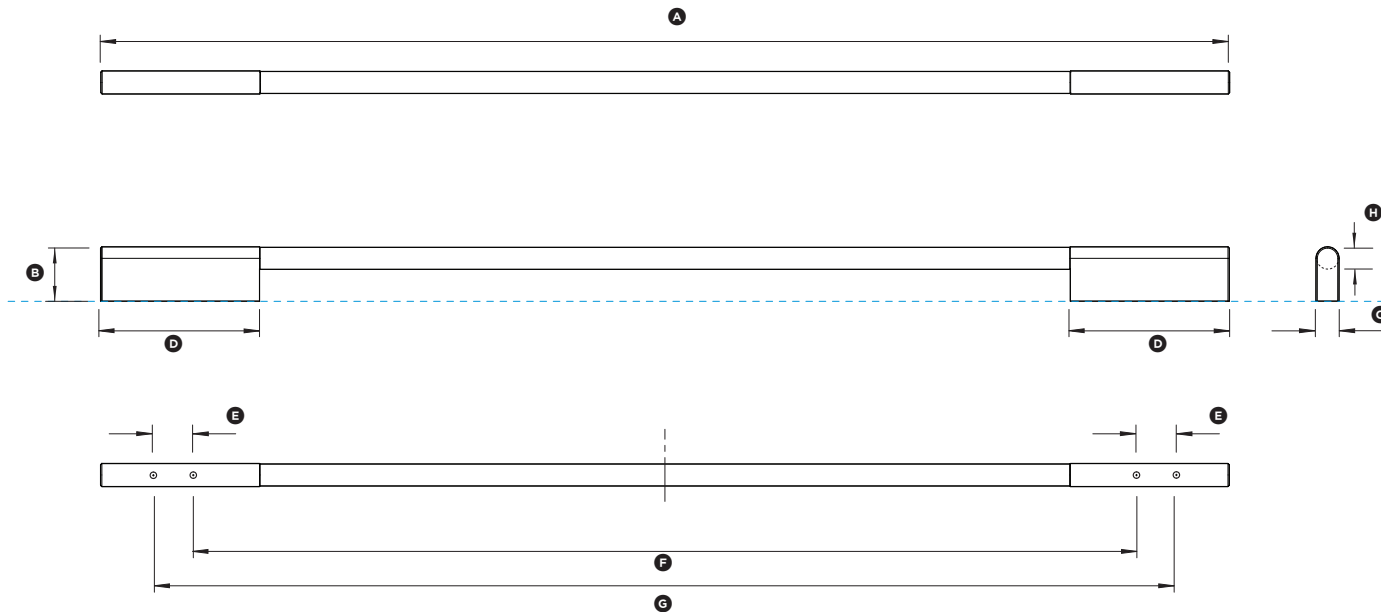


FISHER & PAYKEL

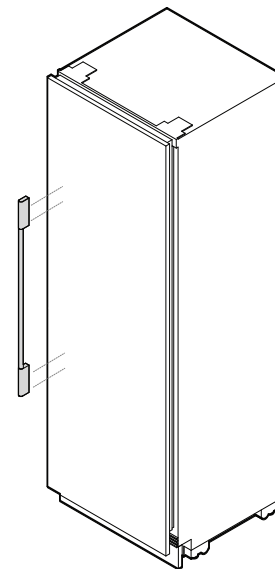
HANDLE DATA SHEET Integrated Dual and Triple Zone Refrigerator Integrated Dual and Triple Zone Freezer

Model no:
Round Handle AHCLRDB

For Model:
**RS6019S2R1, RS6019S3RH1
Integrated Dual and Triple Zone Refrigerator
RS6019F2L1, RS6019F3LJ1
Integrated Dual and Triple Zone Freezer**



Handle Dimensions	mm
Ⓐ Overall length of handle	852
Ⓑ Overall height of handle	41
Ⓒ Overall width of handle	17
Ⓓ Length of off-stand	120
Ⓔ Distance between attachment holes	30
Ⓕ Distance between inner attachment holes	712
Ⓖ Distance between outer attachment holes	773
Ⓗ Thickness of handle rail	17



M5 X 25mm Pan Head Socket Screw (4 per handle)
Suits standard 19mm panel. Thicker panels may require counterboring
or longer screws.

INDICATES PRODUCT DATUM

DATE: 28.11.2022

IMPORTANT NOTE: Throughout this guide, dimensions may vary by $\pm 2\text{mm}$ ($1/16''$). Please read the Installation Guide for detailed information on installing the product. For full installation instructions & specifications visit fisherpaykel.com

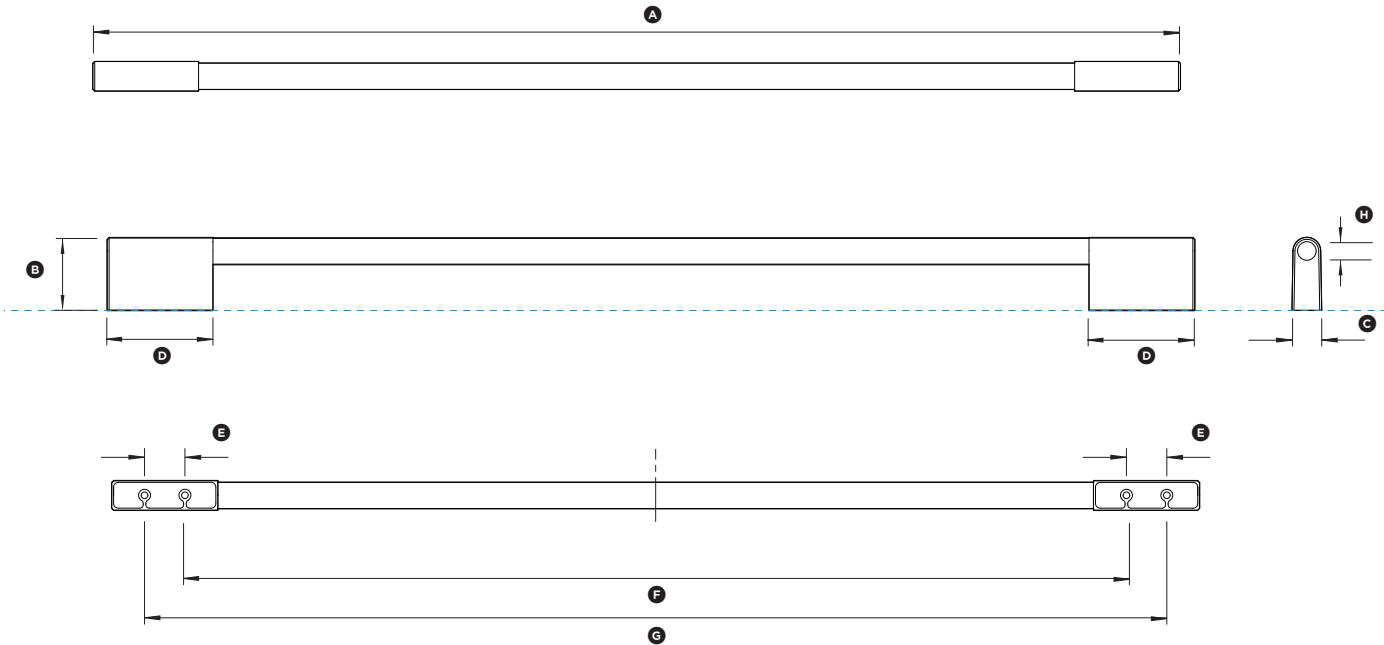


FISHER & PAYKEL

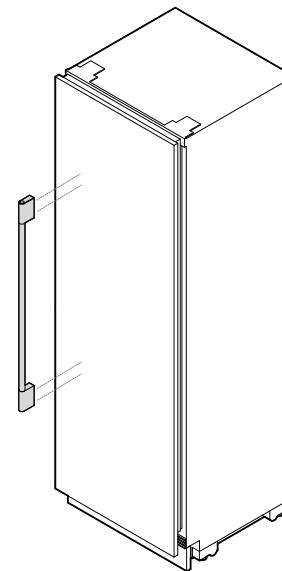
HANDLE DATA SHEET Integrated Dual and Triple Zone Refrigerator Integrated Dual and Triple Zone Freezer

Model no:
Classic Handle AHCLRDSF

For Model:
RS6019S2R1, RS6019S3RH1
Integrated Dual and Triple Zone Refrigerator
RS6019F2L1, RS6019F3LJ1
Integrated Dual and Triple Zone Freezer



Handle Dimensions	mm
Ⓐ Overall length of handle	852
Ⓑ Overall height of handle	55
Ⓒ Overall width of handle	22
Ⓓ Length of off-stand	80
Ⓔ Distance between attachment holes	30
Ⓕ Distance between inner attachment holes	712
Ⓖ Distance between outer attachment holes	773
Ⓗ Thickness of handle rail	20



M5 X 25mm Pan Head Socket Screw (4 per handle)
Suits standard 19mm panel. Thicker panels may require counterboring
or longer screws.

INDICATES PRODUCT DATUM

DATE: 28.11.2022

IMPORTANT NOTE: Throughout this guide, dimensions may vary by ± 2 mm (1/16"). Please read the Installation Guide for detailed information on installing the product. For full installation instructions & specifications visit fisherpaykel.com

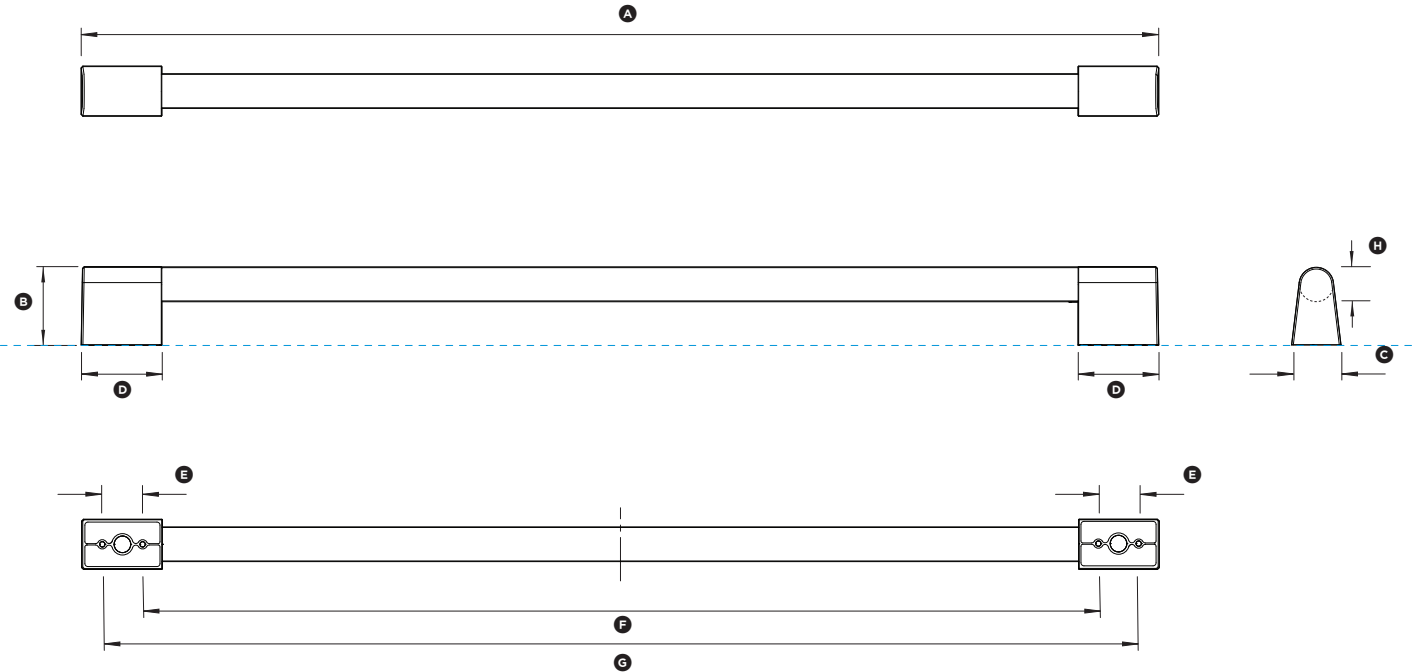


FISHER & PAYKEL

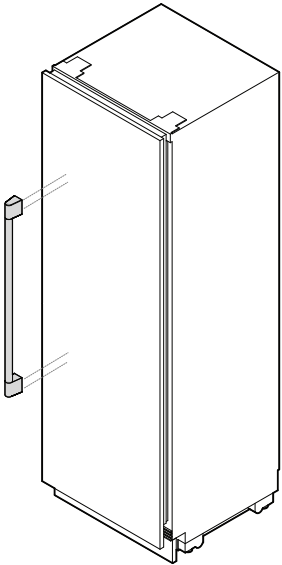
HANDLE DATA SHEET Integrated Dual and Triple Zone Refrigerator Integrated Dual and Triple Zone Freezer

Model no:
Professional Handle AHP3RDS19

For Model:
**RS6019S2R1, RS6019S3RH1
Integrated Dual and Triple Zone Refrigerator
RS6019F2L1, RS6019F3LJ1
Integrated Dual and Triple Zone Freezer**



Handle Dimensions	mm
Ⓐ Overall length of handle	802
Ⓑ Overall height of handle	58
Ⓒ Overall width of handle	37
Ⓓ Length of off-stand	60
Ⓔ Distance between attachment holes	30
Ⓕ Distance between inner attachment holes	712
Ⓖ Distance between outer attachment holes	773
Ⓗ Thickness of handle rail	25



M5 X 25mm Pan Head Socket Screw (4 per handle)
Suits standard 19mm panel. Thicker panels may require counterboring or longer screws.

INDICATES PRODUCT DATUM

DATE: 28.11.2022

IMPORTANT NOTE: Throughout this guide, dimensions may vary by ±2mm (1/16"). Please read the Installation Guide for detailed information on installing the product. For full installation instructions & specifications visit fisherpaykel.com



FISHER & PAYKEL