

84" HIGH INTEGRATED REFRIGERATION

PLANNING GUIDE

RS1884F | RS2484F | RS2484S | RS2484V | RS2484W | RS3084F | RS3084S | RS3084W |
RS3684W

FISHER & PAYKEL

This comprehensive Planning Guide provides you with the framework and tools to achieve your desired design outcome with Fisher & Paykel appliances. In this guide, you will find a range of conceptual, detailed, and dimensional product information to bring your ideas to life and create spaces that truly reflect your vision.

CONTENTS

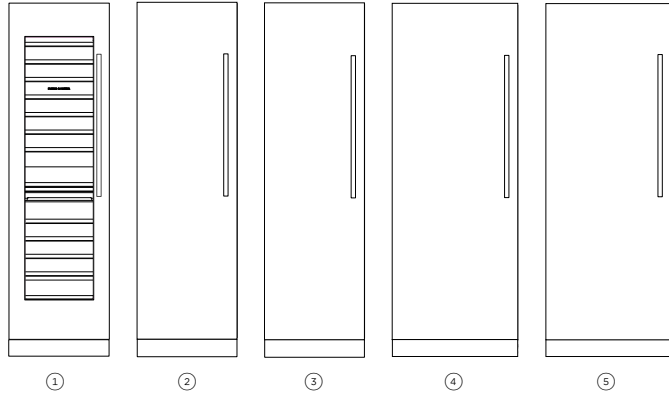
CONCEPT DESIGN	PAGE	DEVELOPED AND DETAILED DESIGN	PAGE	DEVELOPED AND DETAILED DESIGN	PAGE
Design Choices		Data Sheets		Cavity Preparation	
84" High refrigeration overview	4	18" Freezer	16	Single cavity dimensions	29
Purchase decision	5	24" Refrigeration and freezers	17	Dual and triple cavity dimensions	30
Minimal configuration	6	24" Refrigerator freezer	18	Multiple model cavity dimensions	31
Integrated framed	7	24" Wine cabinet	19	Varied model cavity dimensions	32
		30" Refrigeration and freezers	20		
Specification Guide		30" Refrigerator freezer	21	Custom Door Panel Preparation	
Specification Guide - K Models	9	36" Refrigerator freezer	22	Toe kick and panels - low and high options	34
Specification Guide - E Models	10			18" Freezer	35
		Planning Considerations		24" Single panel refrigerators and freezers	36
Accessories		Hinge articulation	24	24" Refrigerator freezers	37
Handles	12	Panel variation examples	25	24" Wine cabinet	38
Handle specifications	13	Door swing clearances	26	30" Single panel refrigerators and freezers	39
Stainless steel panels and toe kicks	14	Door opening & gap clearances	27	30" Refrigerator freezers	40
				36" Refrigerator freezer	41
				Services	
				18" Freezer	43
				24" Models	44
				30" Models	45
				36" Refrigerator Freezer	46

SUPPORT

For additional design planning and installation support please contact the Fisher & Paykel design support team
designsupport@fisherpaykel.com

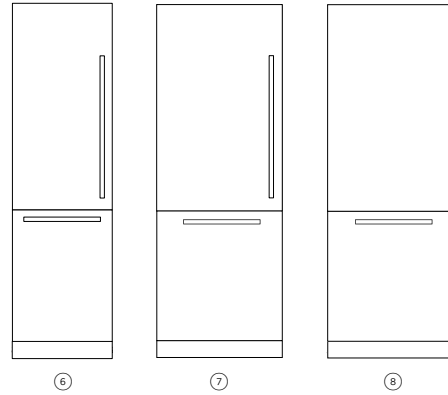
DESIGN CHOICES

REFRIGERATION



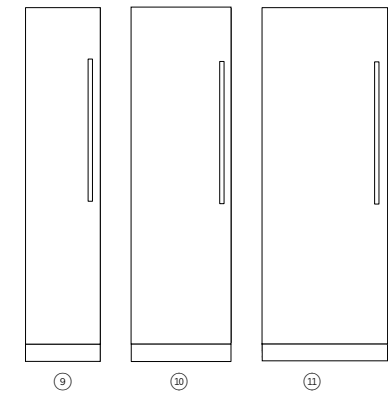
Product	Model
① 24" Wine Cabinet 91 bottle capacity, optional display capability. Two independent temperature zones, four wine modes.	RS2484VL2K1, RS2484VR2K1
② 24" Integrated Refrigerator Custom panel ready, with 12.4cu capacity	RS2484SRK1
③ 24" Integrated Refrigerator with water Custom panel ready, 12.4cu with internal water dispenser.	RS2484SRHE1, RS2484SLHE1 RS2484SRHK1
④ 30" Integrated Refrigerator Custom panel ready, with 16.3cu capacity	RS3084SRK1
⑤ 30" Integrated Refrigerator with water Custom panel ready, 16.3cu with internal water dispenser.	RS3084SRHE1, RS3084SLHE1 RS3084SRHK1

REFRIGERATOR/FREEZER



Product	Model
⑥ 24" Integrated Refrigerator-Freezer Custom panel ready, 12.1cu internal ice maker and water dispenser.	RS2484WRUE1, RS2484WLUE1 RS2484WRUK1, RS2484WLUK1
⑦ 30" Integrated Refrigerator-Freezer Custom panel ready, 15.9cu, internal ice maker and water dispenser.	RS3084WRUE1, RS3084WLUE1 RS3084WRUK1, RS3084WLUK1
⑧ 36" Integrated Refrigerator-Freezer Custom panel ready, 19.2cu, internal ice maker and water dispenser.	RS3684WRUVE1, RS3684WLUVE1

FREEZER

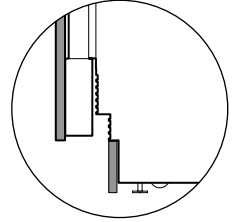
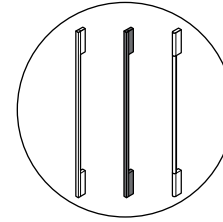
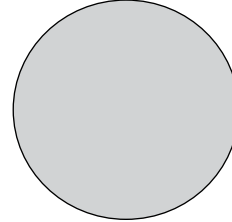
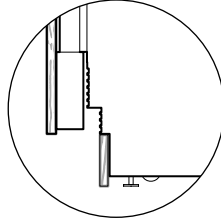
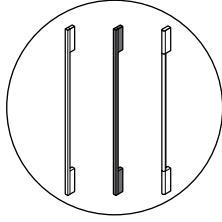
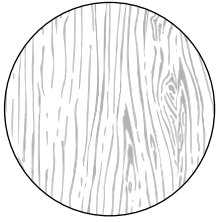


Product	Model
⑨ 18" Freezer with Ice Custom panel ready, 7.8cu and internal ice maker.	RS1884FRJE1, RS1884FLJE1 RS1884FLJK1
⑩ 24" Integrated Freezer with ice Custom panel ready, 11.9cu and internal ice maker.	RS2484FRJE1, RS2484FLJE1 RS2484FLJK1
⑪ 30" Integrated Freezer with ice Custom panel ready, 15.6cu and internal ice maker.	RS3084FRJE1, RS3084FLJE1 RS3084FLJK1

The models shown in this Planning Guide may not be available in all markets and are subject to change at any time. Product specifications may vary from those shown. This Planning Guide should not be used as installation guidance for any product. Further information is required to safely and correctly install the products featured here. Specific installation guidance will be available on our website fisherpaykel.com

INTEGRATED PANEL OPTIONS

STAINLESS STEEL PANEL OPTIONS



PANEL HEIGHT

Panel heights can vary from 77 3/8" to 81 3/8".

FINISH: Match or contrast with your kitchen cabinets.

CUSTOM HANDLES

Select Fisher & Paykel handles or customize handles to match your kitchen style.

ASSISTED OPENING ACCESSORY:

Push or pull-to-open functionality, check fisherpaykel.com for availability.

TOE KICK HEIGHT

Toe kick heights - 2" to 6".

FINISH: Match or contrast with your kitchen cabinets

PANEL

79 3/8" high, left or right hinging.

FINISH: Stainless Steel.

ACCESSORY HANDLE

Select Fisher & Paykel handles.

TOE KICK HEIGHT

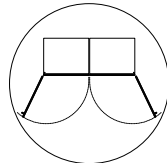
4" high, lengths available from 18" to 72".

FINISH: Stainless Steel.

ALL MODELS

HINGING

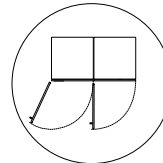
Left or right*



*Some models require a hinge conversion kit

DOOR SWING

90° or 115°



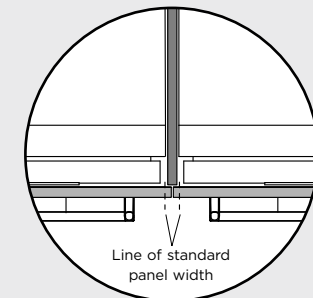
The models shown in this Planning Guide may not be available in all markets and are subject to change at any time. Product specifications may vary from those shown. This Planning Guide should not be used as installation guidance for any product. Further information is required to safely and correctly install the products featured here. Specific installation guidance will be available on our website fisherpaykel.com



INTEGRATED MINIMAL

- ① 36" Refrigerator Freezer with ice, water
- ② 24" Wine cabinet
- ③ 24" Wine cabinet
- ④ 36" Refrigerator Freezer with ice, water
- ⑤ 24" Handleless combination speed oven (OM24NMTNB1), handleless oven (OB24SMPTNB1) and warming drawer (WB24SMB1-SET)
- ⑥ 24" Built-in coffee maker (EB24MSB1), 24" handleless oven (OB24SMPTNB1) and vacuum drawer (VB24SMB1-SET)

In this configuration:
 Ceiling height: 94 1/2" Product cavity height: 84" Toe kick: 2" Panel height: 81 7/8", Panel gap and opening clearance: 1/8"



The maximum number of appliances per cavity is three. If two cavities are required, a spacer with wider panels can be used.

The models shown in this Planning Guide may not be available in all markets and are subject to change at any time. Product specifications may vary from those shown. This Planning Guide should not be used as installation guidance for any product. Further information is required to safely and correctly install the products featured here. Specific installation guidance will be available on our website fisherpaykel.com

**INTEGRATED FRAMED**

- ① 24" Wine cabinet
- ② 24" Refrigerator with water
- ③ 24" Refrigerator with water
- ④ 24" Freezer with ice
- ⑤ Free-standing RIV3-486 professional induction range
- ⑥ Professional round handles aluminium

In this configuration:

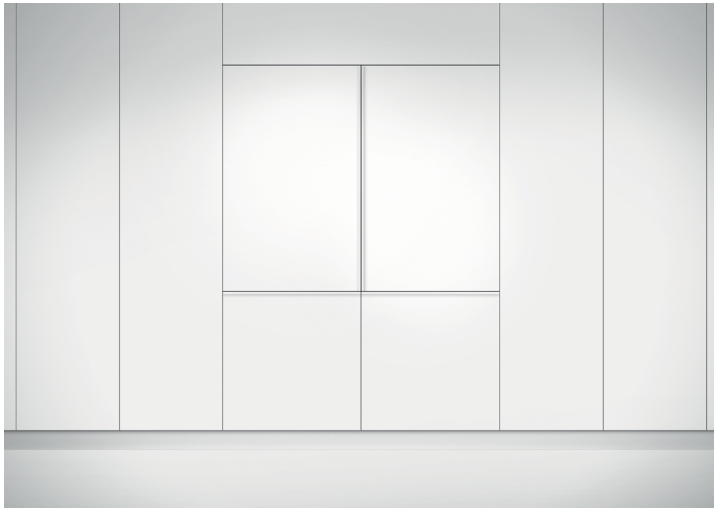
Product cavity height: 84" Toe kick: 4" Panel height: 79 ⁷/₈, Panel gap and opening clearance: ¹/₈"

SPECIFICATION GUIDE

SPECIFICATION GUIDE | Integrated Refrigeration 84" High



RS3084WRUK1, RS3084WLUK1 - with Custom Door Panels



RS3084WRUK1, RS3084WLUK1 - with Custom Door Panels

OVERVIEW

These Integrated Columns offer seamless design, flexible installation, and the ability to customize to match existing cabinetry. Features include two Variable Temperature Zones, bright LED lighting, and ActiveSmart™ technology for optimal freshness. With options for internal ice makers, joining kits, and premium finishes, these models provide lasting durability and a sleek design.

FEATURES

- 1 Customize with kitchen cabinetry or a stainless steel door panel accessory
- 2 Seamless fit with only 1/8" gaps, featuring no visible hinges or grilles
- 3 Mix and match columns, install separately or pair together
- 4 Two Variable Temperature Zones with options for Fridge, Pantry, Chill, Freeze, Soft Freeze, and Deep Freeze modes
- 5 Flexible installation with left or right hinge options
- 6 Intuitive, easy-to-use touchscreen interface with Wi-Fi compatibility
- 7 ActiveSmart™ technology maintains ideal temperature for fresher food
- 8 Bright LEDs illuminate ceiling, shelves, bins, and tray
- 9 Joining kit for pairing units; front adjustable levelling feet for easy installation
- 10 Premium finish with robust materials for long-lasting durability and sleek aesthetic

PRODUCT OVERVIEW

REFRIGERATION

RS2484VL2K1, RS2484VR2K1

Integrated Column Wine Cabinet, 24"

RS2484SRK1

Integrated Column Refrigerator, 24"

RS2484SRHK1

Integrated Column Refrigerator, 24", Water

RS3084SRK1

Integrated Column Refrigerator, 30"

RS3084SRHK1

Integrated Column Refrigerator, 30", Water

FREEZER

RS1884FLJK1

Integrated Column Freezer, 18", Ice

RS2484FLJK1

Integrated Column Freezer, 24", Ice

RS3084FLJK1

Integrated Column Freezer, 30", Ice & Water

REFRIGERATOR FREEZER

RS2484WRUK1, RS2484WLUK1,

Integrated Refrigerator Freezer, 30", Ice & Water

RS3084WRUK1, RS3084WLUK1

Integrated Refrigerator Freezer, 30", Ice & Water

All models can achieve opposite hinge location using hinge kits

The models shown in this Planning Guide may not be available in all markets and are subject to change at any time. Product specifications may vary from those shown. This Planning Guide should not be used as installation guidance for any product. Further information is required to safely and correctly install the products featured here. Specific installation guidance will be available on our website fisherpaykel.com

SPECIFICATION GUIDE | Integrated Refrigeration 84" High



RS2484FRJE1, RS2484SRHE1 - with Custom Door Panel



RS3684WRUVE1 - with Custom Door Panel

OVERVIEW

Experience the pinnacle of refrigeration design with our most advanced Columns. Featuring elegant interiors and options for ice and water, these models embody premium functionality and style. Engineered for energy efficiency, they seamlessly integrate alone or paired. Available in various sizes, they ensure a perfect fit for any kitchen.

FEATURES

- ① Premium interior for a refined look and feel, this model is the highlight of our Integrated Columns collection
- ② Designed for optimal energy performance and maximum efficiency
- ③ Mix and match columns, install separately or pair together
- ④ Seamless fit with only $\frac{1}{8}$ " gaps, featuring no visible hinges or grilles
- ⑤ Customize with kitchen cabinetry or a stainless steel door panel accessory
- ⑥ Two Variable Temperature Zones with options for Fridge, Pantry, Chill, Freeze, Soft Freeze, and Deep Freeze modes
- ⑦ Intuitive, easy-to-use touchscreen interface with Wi-Fi compatibility
- ⑧ Flexible installation with left or right hinge options
- ⑨ Joining kit for pairing units; front adjustable levelling feet for easy installation
- ⑩ ActiveSmart™ technology maintains ideal temperature for fresher food

PRODUCT OVERVIEW

REFRIGERATION

RS2484SRHE1, RS2484SLHE1

Integrated Column Refrigerator, 24", Water

RS3084SRHE1, RS3084SLHE1

Integrated Column Refrigerator, 30", Water

FREEZER

RS1884FRJE1, RS1884FLJE1

Integrated Column Freezer, 18", Ice

RS2484FRJE1, RS2484FLJE1

Integrated Column Freezer, 24", Ice

RS3084FRJE1, RS3084FLJE1

Integrated Column Freezer, 30", Ice

REFRIGERATOR FREEZER

RS2484WRUE1, RS2484WLUE1

Integrated Refrigerator Freezer, 24", Ice & Water

RS3084WRUE1, RS3084WLUE1

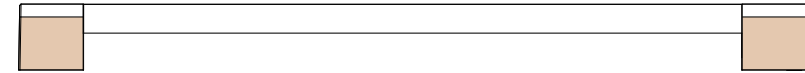
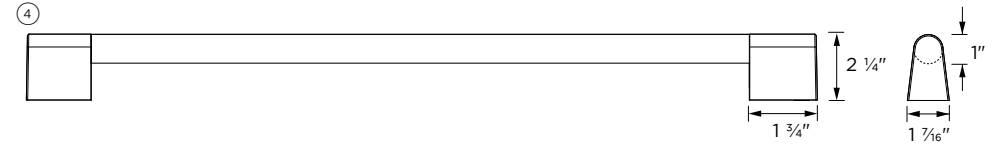
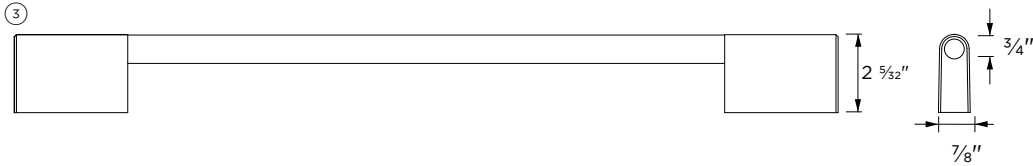
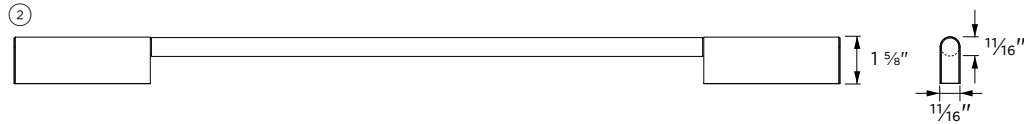
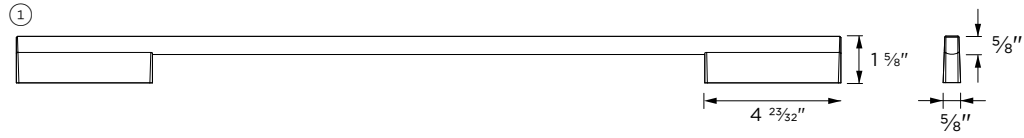
Integrated Refrigerator Freezer, 30", Ice & Water

RS3684WRUVE1, RS3684WLUVE1

Integrated Refrigerator Freezer, 36", Ice & Water

The models shown in this Planning Guide may not be available in all markets and are subject to change at any time. Product specifications may vary from those shown. This Planning Guide should not be used as installation guidance for any product. Further information is required to safely and correctly install the products featured here. Specific installation guidance will be available on our website fisherpaykel.com

ACCESSORIES



HANDLES

SINGLE DOOR MODELS	FINISH	MODELS
① Contemporary Square Fine	Aluminium	AHD5RDSF
	Black	AHD5RDSFB
② Contemporary Round	Aluminium	AHSRD84
③ Classic Handle	Aluminium	AHCLRDSF
	Aluminium	AHC-RD84
	Brass	AHP3RDSFBA
④ Professional Round	Dark Copper	AHP3RDSFDC

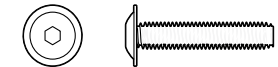
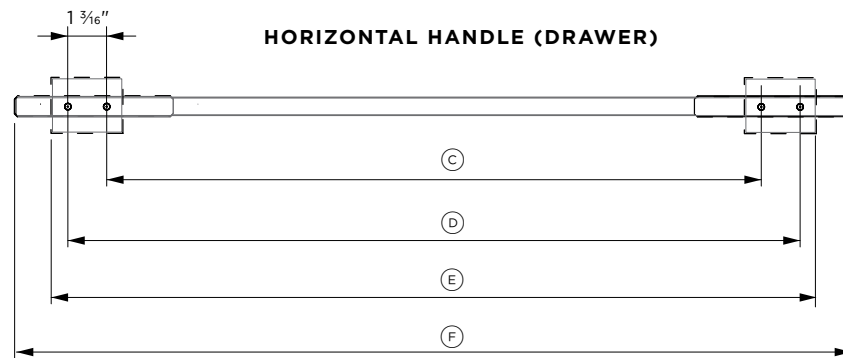
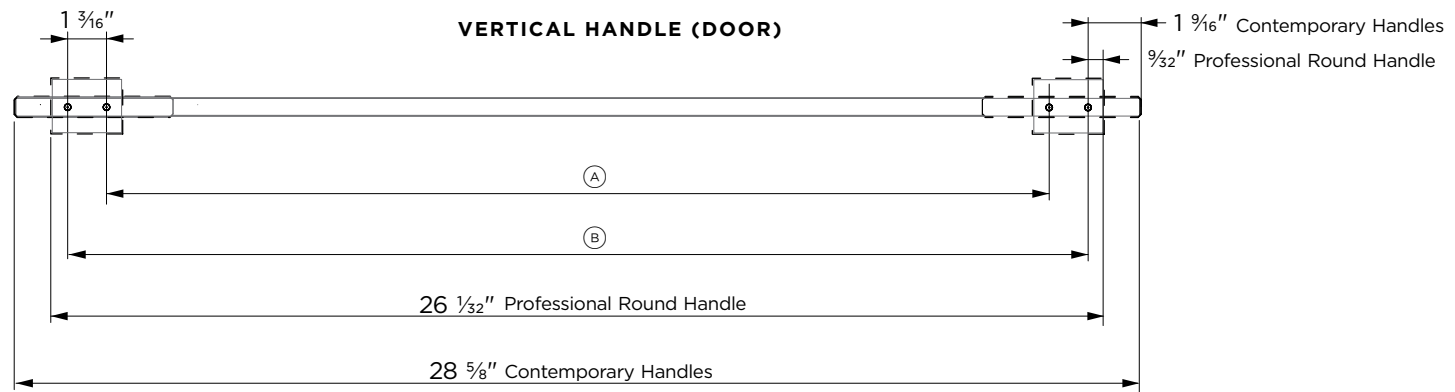
*See fisherpaykel.com to check availability.

24" REFRIGERATOR FREEZER MODELS
AHD5RD2484W
AHD5RD2484WB
AHSRD2484W
AHCLR2484W
AHCRD2484W
AHP3RD2484WBA
AHP3RD2484WDC

30" REFRIGERATOR FREEZER MODELS
AHD5RD3084W
AHD5RD3084WB
AHSRD3084W
AHCLR3084W
AHCRD3084W
AHP3RD3084WBA
AHP3RD3084WDC

36" REFRIGERATOR FREEZER MODELS
AHD5RD3684W
AHD5RD3684WB
AHSRD3684W
AHCLR3684W
AHCRD3684W
AHP3RD3684WBA
AHP3RD3684WDC

The models shown in this Planning Guide may not be available in all markets and are subject to change at any time. Product specifications may vary from those shown. This Planning Guide should not be used as installation guidance for any product. Further information is required to safely and correctly install the products featured here. Specific installation guidance will be available on our website fisherpaykel.com



SOCKET SCREWS

M5 X 25mm Pan Head Socket Screw
 (4 per handle) suits standard 3/4" (19mm) panel.
 Thicker panels may require counter-boring or longer screws.

SINGLE DOOR MODELS

Vertical Handle	in	mm
A Length between outer screws	28 $\frac{1}{32}$	712
B Length between screws	30 $\frac{13}{32}$	773

24" REFRIGERATOR FREEZER MODELS

Vertical Handle	in	mm
A Length between inner screws	23 $\frac{3}{32}$	587
B Length between outer screws	25 $\frac{15}{32}$	647

Horizontal Handle

C Length between inner screws	13 $\frac{29}{32}$	353
D Length between outer screws	16 $\frac{9}{32}$	414
E Overall length - Professional Round	14 $\frac{7}{16}$	367
F Overall length - Contemporary	19 $\frac{7}{16}$	494

30" REFRIGERATOR FREEZER MODELS

Vertical Handle	in	mm
A Length between inner screws	23 $\frac{3}{32}$	587
B Length between outer screws	25 $\frac{15}{32}$	647

Horizontal Handle

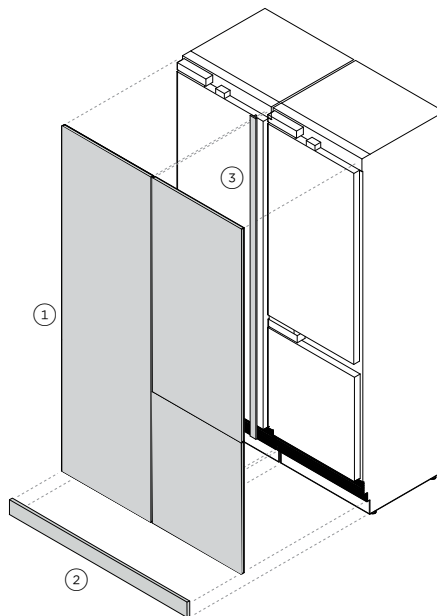
C Length between inner screws	19 $\frac{29}{32}$	506
D Length between outer screws	22 $\frac{9}{32}$	566
E Overall length - Professional Round	22 $\frac{27}{32}$	580
F Overall length - Contemporary	22 $\frac{7}{16}$	646

36" REFRIGERATOR FREEZER MODELS

Vertical Handle	in	mm
A Length between inner screws	23 $\frac{3}{32}$	587
B Length between outer screws	25 $\frac{15}{32}$	647

Horizontal Handle

C Length between inner screws	25 $\frac{29}{32}$	658
D Length between outer screws	28 $\frac{9}{32}$	718
E Overall length - Professional Round	28 $\frac{13}{16}$	748
F Overall length - Contemporary	31 $\frac{13}{32}$	798



① STAINLESS STEEL PANELS

SINGLE DOOR	MODEL LEFT	MODEL RIGHT
18" Model (17 3/4" wide)	RD1884L4D	RD1884R4D
24" Models (23 3/4" wide)	RD2484L4D	RD2484R4D
30" Models (23 3/4" wide)	RD3084L4D	RD3084R4D

② STAINLESS STEEL TOE KICKS

SINGLE TOE KICK	MODEL
18" Model (18" wide)	AKRS1804
24" Models (24" wide)	AKRS2404
30" Models (30" wide)	AKRS3004
36" Models (36" wide)	AKRS3604

24" REFRIGERATOR FREEZER (23 3/4" wide)	MODEL
Left hand hinging (23 3/4" wide)	RD2484WLD
Right hand hinging (23 3/4" wide)	RD2484WRD
24" WINE CABINET	MODEL
Left hand hinging (23 3/4" wide)	RD2484VL4
Right hand hinging (23 3/4" wide)	RD2484VR4

DOUBLE TOE KICK	MODEL
18" Models	N/A
24" Models (48" wide)	AKRS4804
30" Models (60" wide)	AKRS6004
36" Models (72" wide)	AKRS7204

30" REFRIGERATOR FREEZER	MODEL
Left hand hinging (29 3/4" wide)	RD3084WLD
Right hand hinging (29 3/4" wide)	RD3084WRD

TRIPLE TOE KICK	MODEL
18" Models	N/A
24" Models (72" wide)	AKRS7204
30" Models (90" wide)	N/A
36" Models	N/A

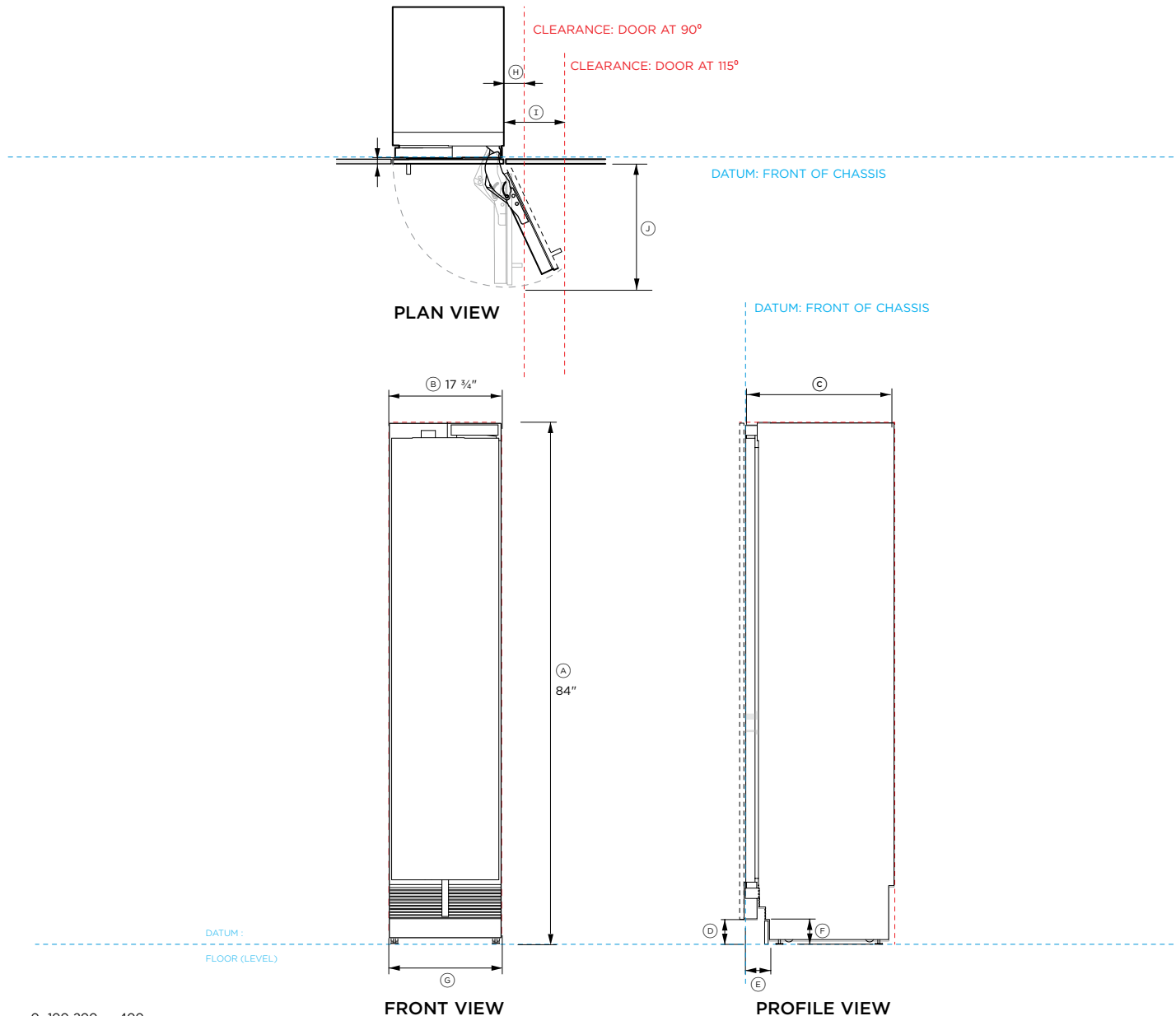
36" REFRIGERATOR FREEZER	MODEL
Left hand hinging (35 3/4" wide)	RD3684WLD
Right hand hinging (35 3/4" wide)	RD3684WRD

MULTIPLE	MODEL
24" + 24" + 30" (78" wide)	AKRS7804
18" + 30" + 30" (78" wide)	AKRS7804
24" + 30" + 30" (84" wide)	AKRS8404
24" + 24" + 36" (84" wide)	AKRS8404

③ JOINER KITS* (FOR MULTIPLE PRODUCT INSTALLATION)

All Models AJ-RS84LR A joiner kit is supplied with freezer models: RS3084FLJE1, RS3084FLJK1, RS2484FLJE1, RS2484FLJK1, RS1884FRJE1, RS1884FLJK1 and wine models: RS2484VR2K1, RS2484VL2K1

DATA SHEETS



Model no:
RS1884FRJE1, RS1884FLJK1

Product Dimensions	in	mm
Ⓐ Overall height	84	2134
Ⓑ Overall width	17 3/4	451
Ⓒ Overall depth (excluding door panels)	24	610
Ⓓ Floor to bottom of door	4	102
Ⓔ Depth of toe kick (excluding panels)	2 7/8 - 4	73 - 102
Ⓕ Height of toe kick	2 - 6	50 - 152
Ⓖ Width of toe kick	17 7/8	454

Door/Drawer Opening Dimensions*

Ⓜ Minimum door clearance** to adjacent wall* (90° - reduced internal access)*	4 5/16	110
Ⓨ Minimum door clearance** to adjacent wall* (115° - full internal access)	11 1/2	292
Ⓩ Depth of door (90° open) measured from front of door	20	508

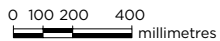
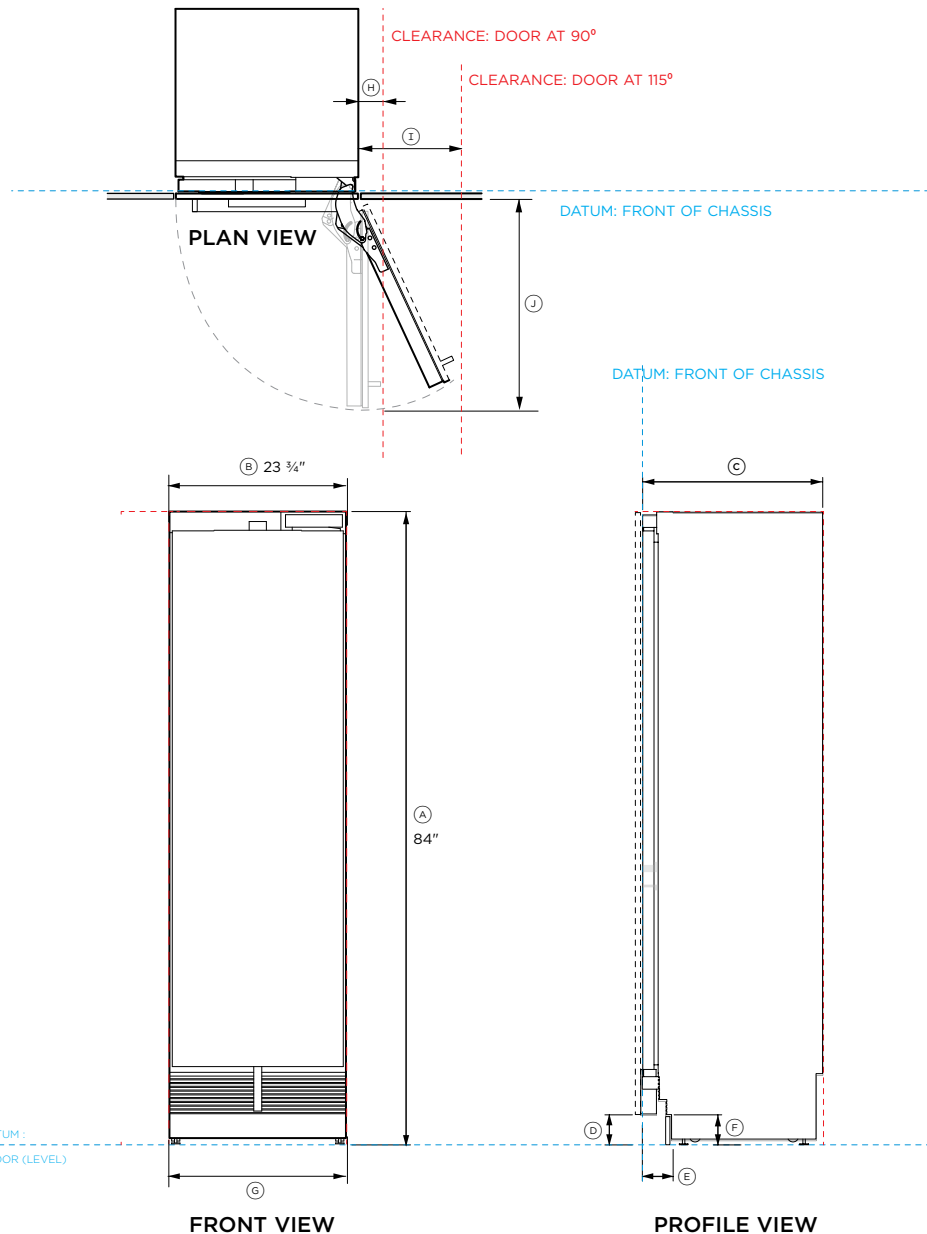
Clearance Dimensions*

Minimum cabinetry gap clearance from edge of door panel	1/8	3
Cavity overall height	84	2134
Cavity overall width (single)	18	457
Cavity overall width (dual)	36	915
Minimum overall depth (shallow) of cavity when services are located outside of cavity****	25	635
Minimum overall depth (deep) of cavity when services are located at rear of cavity****	25 19/32	650

* Custom panels to be manufactured & fitted by cabinetmaker.
 ** 3 15/16" (100mm) tall stainless steel toe kick panel available. Adjust the height of the door panel accordingly.
 *** Door handle kit is available as an optional accessory.
 ****Assumes a door panel depth of 3/4" (19mm).

INDICATES CABINETRY / PRODUCT DATUM -----
 INDICATES CABINETRY CLEARANCES - - - - -

IMPORTANT NOTE: Throughout this guide, dimensions may vary by ±2mm (1/16"). Please read the Installation Guide for detailed information on installing the product. For full installation instructions visit fisherpaykel.com



Model no:

RS2484SRHE1, RS2484SLHE1, RS2484FRJE1, RS2484FLJE1, RS2484SRK1, RS2484SRHK1, RS2484FLJK1

Product Dimensions	in	mm
Ⓐ Overall height	84	2134
Ⓑ Overall width	23 3/4	603
Ⓒ Overall depth (excluding door panels)	24	610
Ⓓ Floor to bottom of door	4	102
Ⓔ Depth of toe kick (excluding panels)	2 7/8 - 4	73 - 102
Ⓕ Height of toe kick	2 - 6	50 - 152
Ⓖ Width of toe kick	23 7/8	606

Door/Drawer Opening Dimensions*

Ⓗ Minimum door clearance** to adjacent wall* (90° - reduced internal access)*	4 5/16	110
Ⓘ Minimum door clearance** to adjacent wall* (115° - full internal access)	14	356
⓵ Depth of door (90° open) measured from front of door	26	660

Clearance Dimensions*

Minimum cabinetry gap clearance from edge of door panel	1/8	3
Cavity overall height	84	2134
Cavity overall width (single)	24	610
Cavity overall width (dual)	48	1219
Minimum overall depth (shallow) of cavity when services are located outside of cavity****	25	635
Minimum overall depth (deep) of cavity when services are located at rear of cavity****	25 19/32	650

* Custom panels to be manufactured & fitted by cabinetmaker.

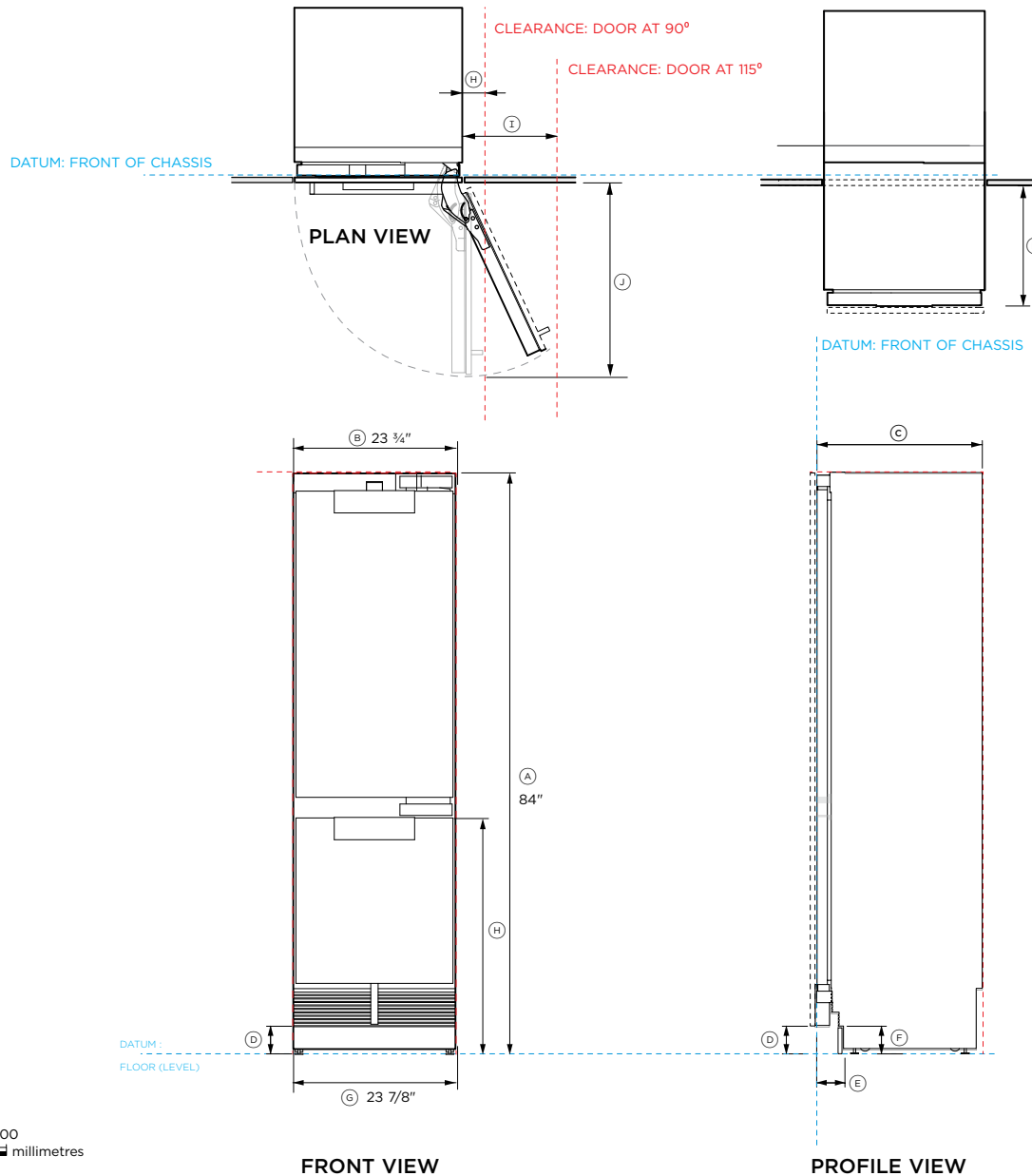
** 3 15/16" (100mm) tall stainless steel toe kick panel available. Adjust the height of the door panel accordingly.

*** Door handle kit is available as an optional accessory.

****Assumes a door panel depth of 3/4" (19mm).

INDICATES CABINETRY / PRODUCT DATUM -----
 INDICATES CABINETRY CLEARANCES - - - - -

IMPORTANT NOTE: Throughout this guide, dimensions may vary by ±2mm (1/16"). Please read the Installation Guide for detailed information on installing the product. For full installation instructions visit fisherpaykel.com



Model no:

RS2484WLUE1, RS2484WLUK1, RS2484WRUE1, RS2484WRUK1

Product Dimensions

	in	mm
Ⓐ Overall height	84	2134
Ⓑ Overall width	23 3/4	603
Ⓒ Overall depth (excluding door panels)	24	610
Ⓓ Floor to bottom of door	4	102
Ⓔ Depth of toe kick (excluding panels)	2 7/8 - 4	73 - 102
Ⓕ Height of toe kick	2 - 6	50 - 152
Ⓖ Width of toe kick	23 7/8	606
Ⓜ Height drawer (does not include panel)	34 1/4	870

Door/Drawer Opening Dimensions*

Ⓜ Minimum door clearance** to adjacent wall* (90° - reduced internal access)*	4 5/16	110
Ⓜ Minimum door clearance** to adjacent wall* (115° - full internal access)	14	356
Ⓝ Depth of door (90° open) measured from front of door	26	660
Ⓚ Depth of drawer measured from front of door	15 3/4	400

Clearance Dimensions*

Minimum cabinetry gap clearance from edge of door panel	1/8	3
Cavity overall height	84	2134
Cavity overall width (single)	24	610
Cavity overall width (dual)	48	1219
Minimum overall depth (shallow) of cavity when services are located outside of cavity****	25	635
Minimum overall depth (deep) of cavity when services are located at rear of cavity****	25 19/32	650

* Custom panels to be manufactured & fitted by cabinetmaker.

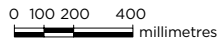
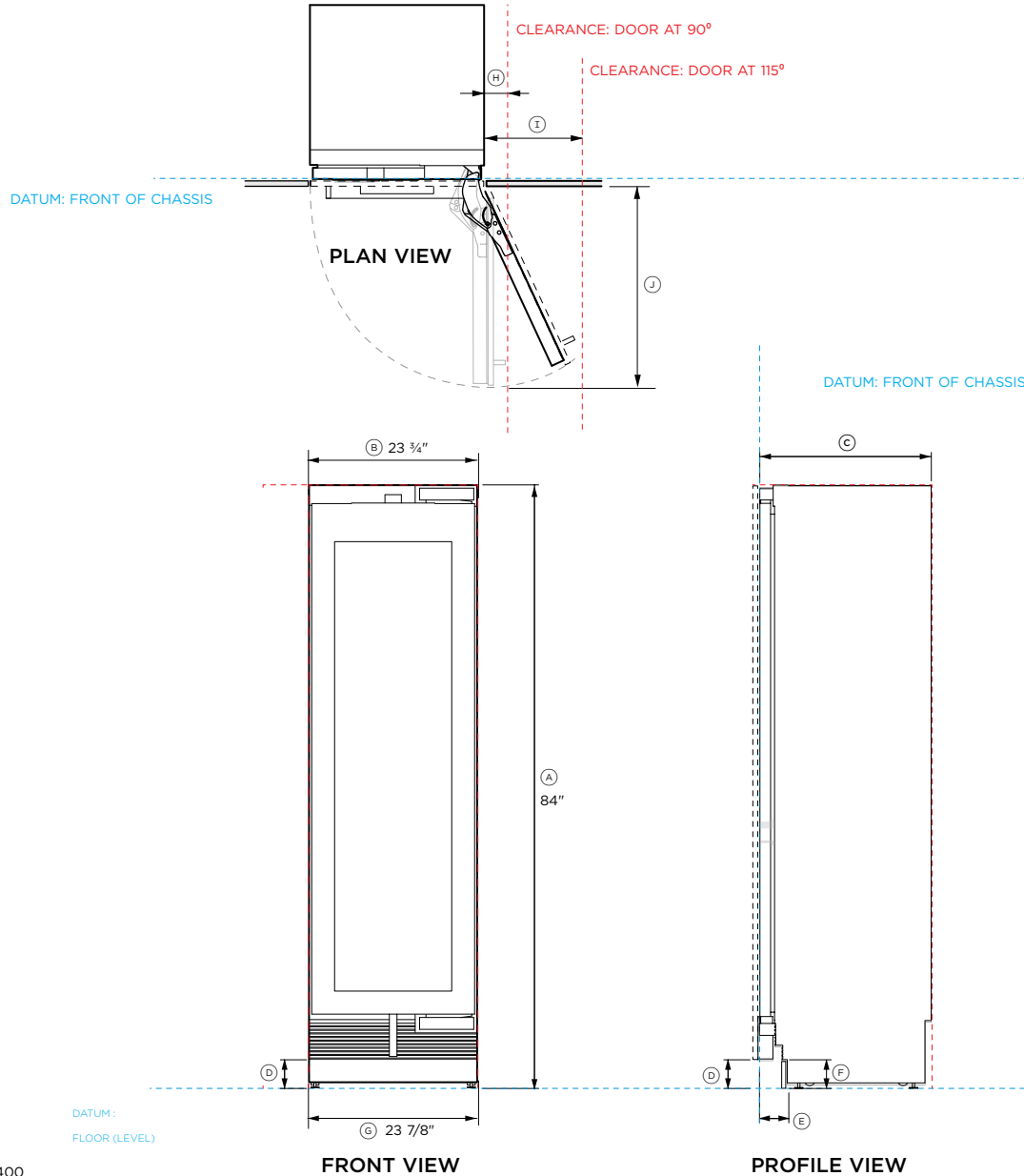
** 3 15/16" (100mm) tall stainless steel toe kick panel available. Adjust the height of the door panel accordingly.

*** Door handle kit is available as an optional accessory.

****Assumes a door panel depth of 3/4" (19mm).

INDICATES CABINETRY / PRODUCT DATUM -----
 INDICATES CABINETRY CLEARANCES - - - - -

IMPORTANT NOTE: Throughout this guide, dimensions may vary by ±2mm (1/16"). Please read the Installation Guide for detailed information on installing the product. For full installation instructions visit fisherpaykel.com



Model no:
RS2484VL2K1, RS2484VR2K1

Product Dimensions	in	mm
Ⓐ Overall height	84	2134
Ⓑ Overall width	23 3/4	603
Ⓒ Overall depth (excluding door panels)	24	610
Ⓓ Floor to bottom of door	4	102
Ⓔ Depth of toe kick (excluding panels)	2 7/8 - 4	73 - 102
Ⓕ Height of toe kick	2 - 6	50 - 152
Ⓖ Width of toe kick	23 7/8	606

Door/Drawer Opening Dimensions*

Ⓜ Minimum door clearance** to adjacent wall* (90° - reduced internal access)*	4 5/16	110
Ⓨ Minimum door clearance** to adjacent wall* (115° - full internal access)	14	356
Ⓣ Depth of door (90° open) measured from front of door	15 3/4	660

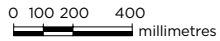
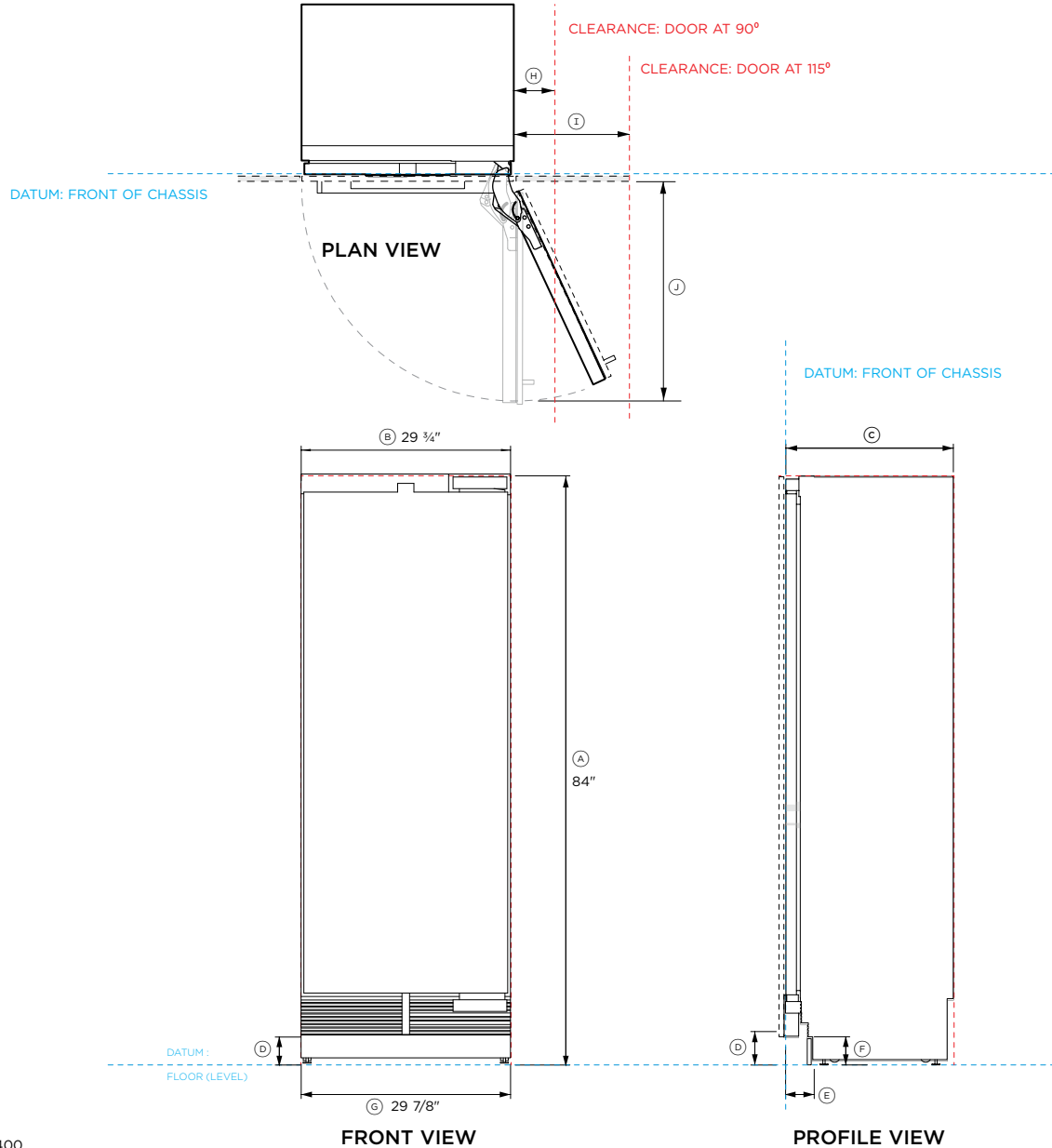
Clearance Dimensions*

Minimum cabinetry gap clearance from edge of door panel	1/8	3
Cavity overall height	84	2134
Cavity overall width (single)	24	610
Cavity overall width (dual)	48	1219
Minimum overall depth (shallow) of cavity when services are located outside of cavity****	25	635
Minimum overall depth (deep) of cavity when services are located at rear of cavity****	25 19/32	650

* Custom panels to be manufactured & fitted by cabinetmaker
 ** 3 15/16" (100mm) tall stainless steel toe kick panel available. Adjust the height of the door panel accordingly
 *** Door handle kit is available as an optional accessory.
 ****Assumes a door panel depth of 3/4" (19mm).

INDICATES CABINETRY / PRODUCT DATUM -----
 INDICATES CABINETRY CLEARANCES - - - - -

IMPORTANT NOTE: Throughout this guide, dimensions may vary by ±2mm (1/16"). Please read the Installation Guide for detailed information on installing the product. For full installation instructions visit fisherpaykel.com



Model no:

RS3084SRHE1, RS3084SLHE1, RS3084FRJE1, RS3084FLJE1, RS3084SRK1, RS3084FLJK1

Product Dimensions	in	mm
Ⓐ Overall height	84	2134
Ⓑ Overall width	29 3/4	756
Ⓒ Overall depth (excluding door panels)	24	610
Ⓓ Floor to bottom of door	4	102
Ⓔ Depth of toe kick (excluding panels)	2 7/8 - 4	73 - 102
Ⓕ Height of toe kick	2 - 6	50 - 152
Ⓖ Width of toe kick	29 7/8	759

Door/Drawer Opening Dimensions*

Ⓗ Minimum door clearance** to adjacent wall* (90° - reduced internal access)*	4 5/16	110
Ⓘ Minimum door clearance** to adjacent wall* (115° - full internal access)	16 1/2	419
Ⓙ Depth of door (90° open) measured from front of door	32	813

Clearance Dimensions*

Minimum cabinetry gap clearance from edge of door panel	1/8	3
Cavity overall height	84	2134
Cavity overall width (single)	24	610
Cavity overall width (dual)	54	1525
Minimum overall depth (shallow) of cavity when services are located outside of cavity****	25	635
Minimum overall depth (deep) of cavity when services are located at rear of cavity****	25 19/32	650

* Custom panels to be manufactured & fitted by cabinetmaker.

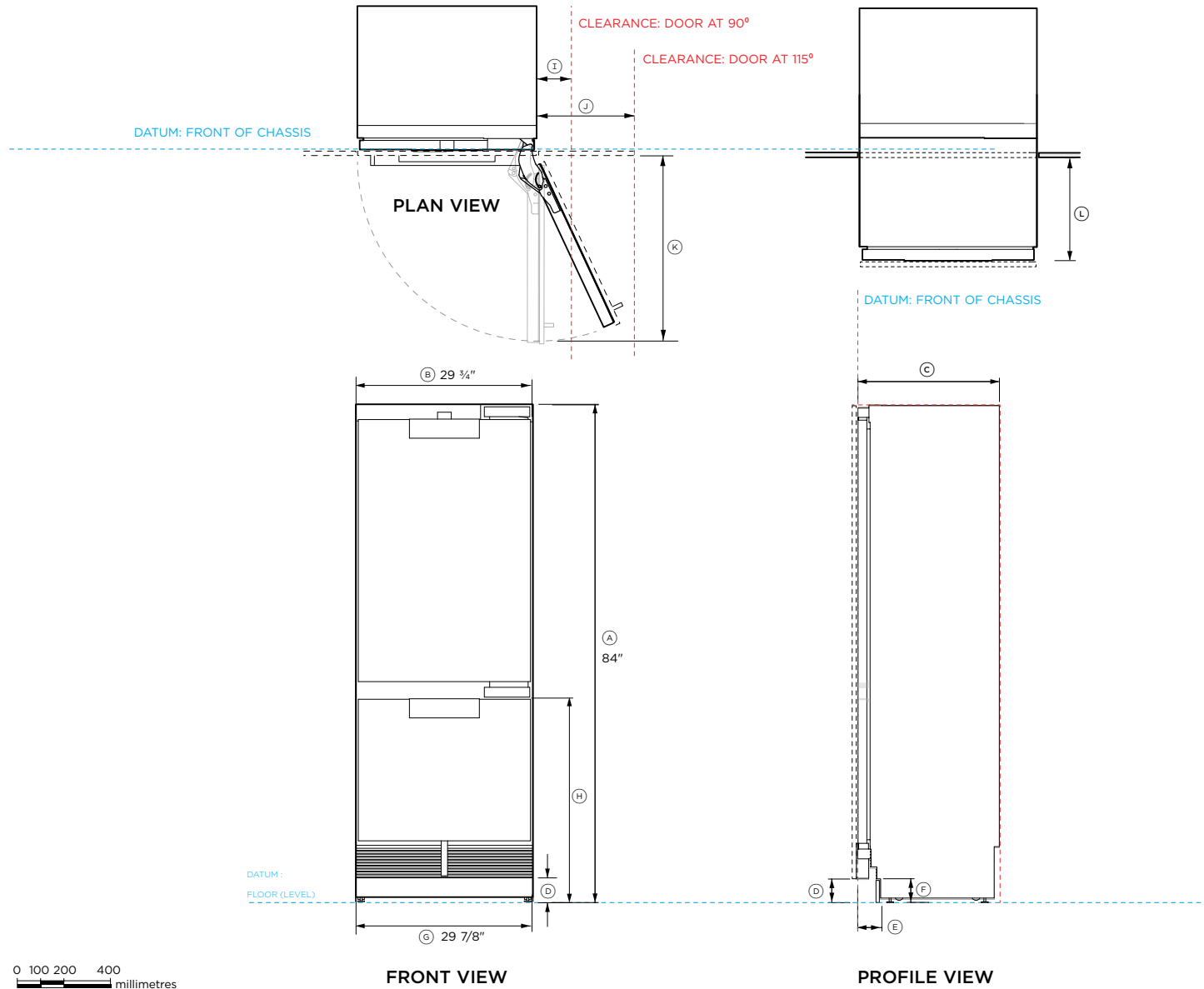
** 3 15/16" (100mm) tall stainless steel toe kick panel available. Adjust the height of the door panel accordingly.

*** Door handle kit is available as an optional accessory.

****Assumes a door panel depth of 3/4" (19mm).

INDICATES CABINETRY / PRODUCT DATUM -----
 INDICATES CABINETRY CLEARANCES - - - - -

IMPORTANT NOTE: Throughout this guide, dimensions may vary by ±2mm (1/16"). Please read the Installation Guide for detailed information on installing the product. For full installation instructions visit fisherpaykel.com



Model no:

RS3084WRUE1, RS3084WRUK1, RS3084WLUK1, RS3084WLUK1

Product Dimensions

	in	mm
(A) Overall height	84	2134
(B) Overall width	29 3/4	756
(C) Overall depth (excluding door panels)	24	610
(D) Floor to bottom of door	4	102
(E) Depth of toe kick (excluding panels)	2 7/8 - 4	73 - 102
(F) Height of toe kick	2 - 6	50 - 152
(G) Width of toe kick	29 7/8	759
(H) Height of drawer (does not include panels)	34 1/4	870

Door/Drawer Opening Dimensions*

(I) Minimum door clearance** to adjacent wall* (90° - reduced internal access)*	4 5/16	110
(J) Minimum door clearance** to adjacent wall* (115° - full internal access)	16 1/2	419
(K) Depth of door (90° open) measured from front of door	32	813
(L) Depth of drawer (open) measured from front of drawer *	15 3/4	400

Clearance Dimensions*

Minimum cabinetry gap clearance from edge of door panel	1/8	3
Cavity overall height	84	2134
Cavity overall width (single)	30	762
Cavity overall width (dual)	54	1525
Minimum overall depth (shallow) of cavity when services are located outside of cavity****	25	635
Minimum overall depth (deep) of cavity when services are located at rear of cavity****	25 5/8	650

* Custom panels to be manufactured & fitted by cabinetmaker.

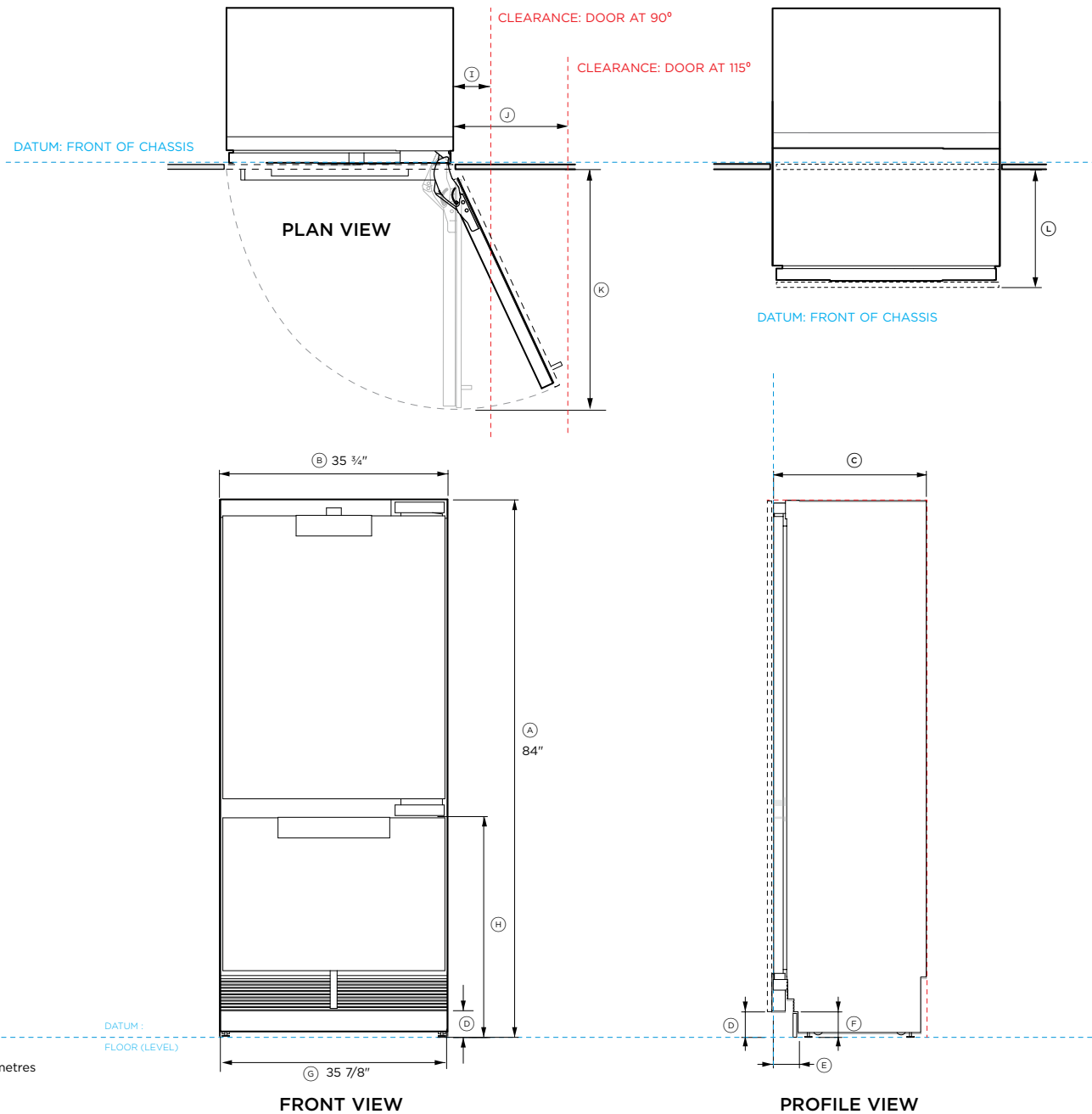
** 3 15/16" (100mm) tall stainless steel toe kick panel available. Adjust the height of the door panel accordingly.

*** Door handle kit is available as an optional accessory.

****Assumes a door panel depth of 3/4" (19mm).

INDICATES CABINETRY / PRODUCT DATUM -----
 INDICATES CABINETRY CLEARANCES - - - - -

IMPORTANT NOTE: Throughout this guide, dimensions may vary by ±2mm (1/16"). Please read the Installation Guide for detailed information on installing the product. For full installation instructions visit fisherpaykel.com



Model no:
RS3684WRUVE1, RS3684WLUVE1

Product Dimensions	in	mm
Ⓐ Overall height	84	2134
Ⓑ Overall width	35 3/4	908
Ⓒ Overall depth (excluding door panels)	24	610
Ⓓ Floor to bottom of door	4	102
Ⓔ Depth of toe kick (excluding panels)	2 7/8 - 4	73 - 102
Ⓕ Height of toe kick	2 - 6	50 - 152
Ⓖ Width of toe kick	35 7/8	910
Ⓜ Height drawer (does not include panel)	34 1/4	870

Door/Drawer Opening Dimensions*		
Ⓘ Minimum door clearance** to adjacent wall* (90° - reduced internal access)*	4 5/16	110
Ⓩ Minimum door clearance** to adjacent wall* (115° - full internal access)	17 1/8	435
Ⓚ Depth of door (90° open) measured from front of door	38 1/16	967
Ⓛ Depth of drawer (open) measured from front of drawer *	15 3/4	400

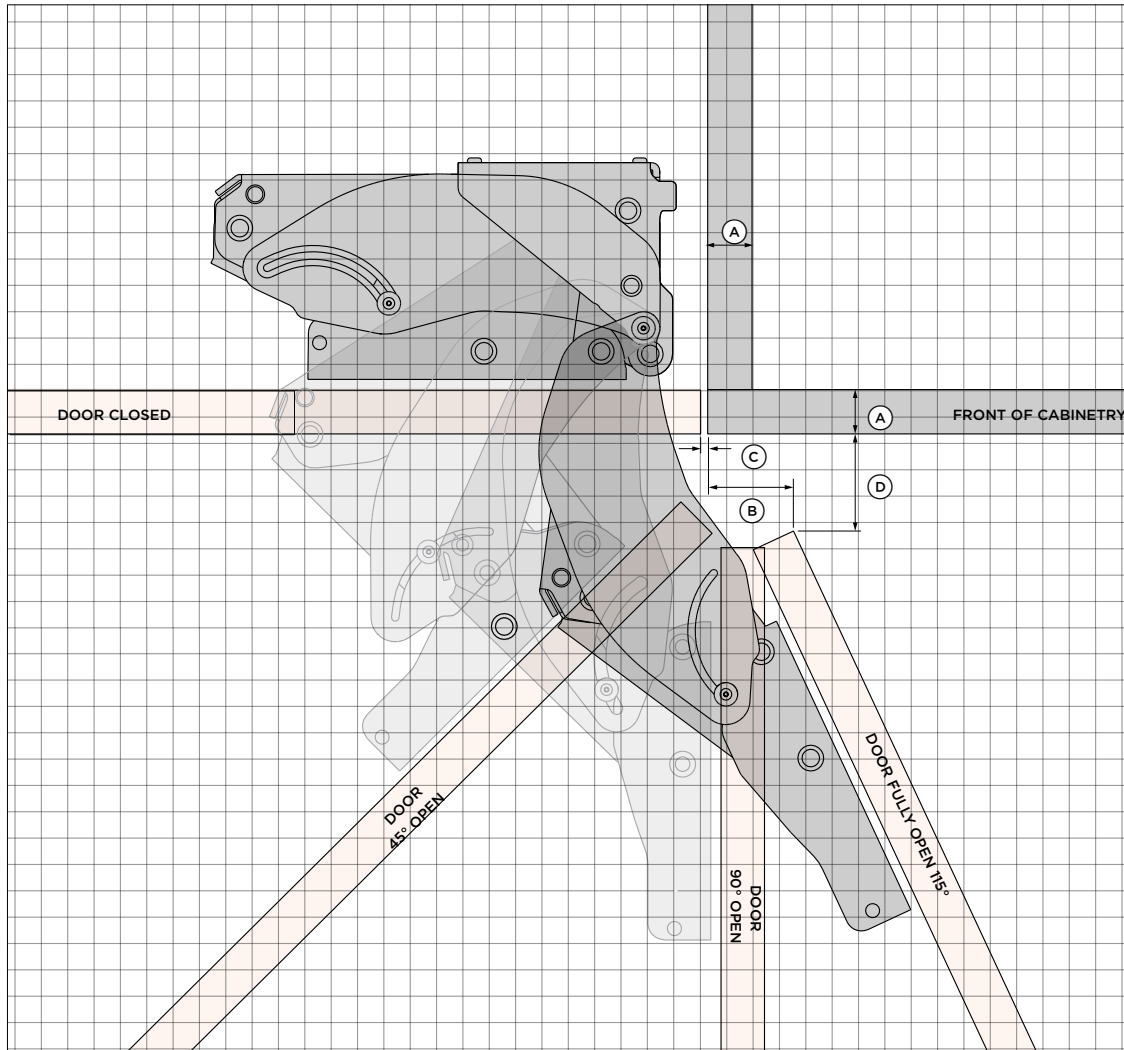
Clearance Dimensions*		
Minimum cabinetry gap clearance from edge of door panel	1/8	3
Cavity overall height	84	2134
Cavity overall width (single)	36	914
Cavity overall width (double)	72	1829
Minimum overall depth (shallow) of cavity when services are located outside of cavity****	25	635
Minimum overall depth (deep) of cavity when services are located at rear of cavity****	25 5/8	650

* Custom panels to be manufactured & fitted by cabinetmaker.
 ** 3 15/16" (100mm) tall stainless steel toe kick panel available. Adjust the height of the door panel accordingly.
 *** Door handle kit is available as an optional accessory.
 ****Assumes a door panel depth of 3/4" (19mm).

INDICATES CABINETRY / PRODUCT DATUM -----
 INDICATES CABINETRY CLEARANCES - - - - -

IMPORTANT NOTE: Throughout this guide, dimensions may vary by ±2mm (1/16"). Please read the Installation Guide for detailed information on installing the product. For full installation instructions visit fisherpaykel.com

PLANNING CONSIDERATIONS



1 SQUARE = 1/2" (12.7mm)

TOP VIEW

DOOR HINGE - HETTICH K05

Left handed hinge models are a mirrored version of shown.

CUSTOM FRONT PANEL

A Panel thickness: 3/4" (19mm).

B Gap between door and adjacent cabinetry: Min 1/8" (3mm)

C Gap between cabinet side and door at 115° open: 1 13/32" (36mm)

D Gap between adjacent cabinet and door at 115°: 1 21/32" (42mm)

WEIGHT LIMITS

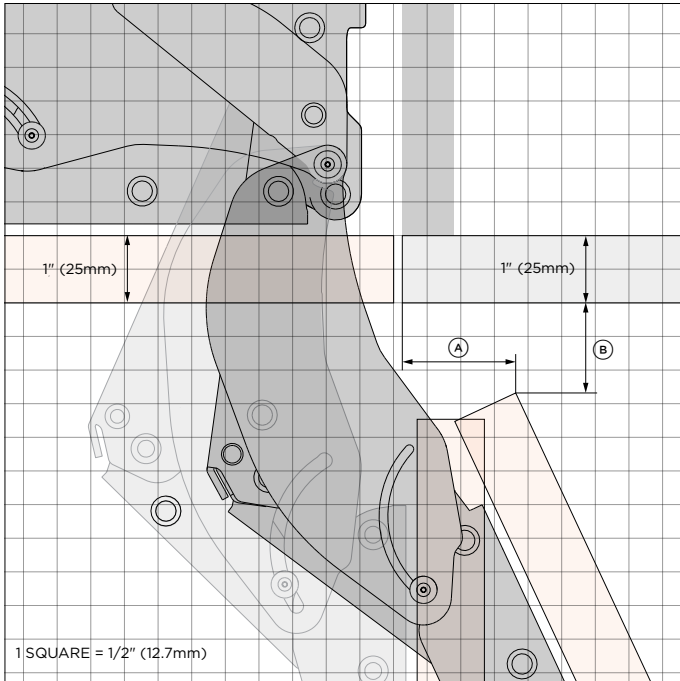
SINGLE PANEL MODELS	MAXIMUM WEIGHT
RS1884	Max 44lbs (20kg)
RS2484	Max 55lbs (25kg)
RS2484V Wine cabinet	Max 17.6lbs (8kg)
RS3084	Max 66lbs (30kg)
DOUBLE PANEL MODELS	MAXIMUM WEIGHT
RS2484W Top panel	Max 33lbs (15kg)
RS2484W Bottom panel	Max 20lbs (9kg)
RS3084W Top panel	Max 40lbs (18kg)
RS3084W Bottom panel	Max 24lbs (11kg)
RS3684W Top panel	Max 46lbs (21kg)
RS3684W Bottom panel	Max 30lbs (13.5kg)

Note: Door weight includes weight of handle.

The models shown in this Planning Guide may not be available in all markets and are subject to change at any time. Product specifications may vary from those shown. This Planning Guide should not be used as installation guidance for any product. Further information is required to safely and correctly install the products featured here. Specific installation guidance will be available on our website fisherpaykel.com

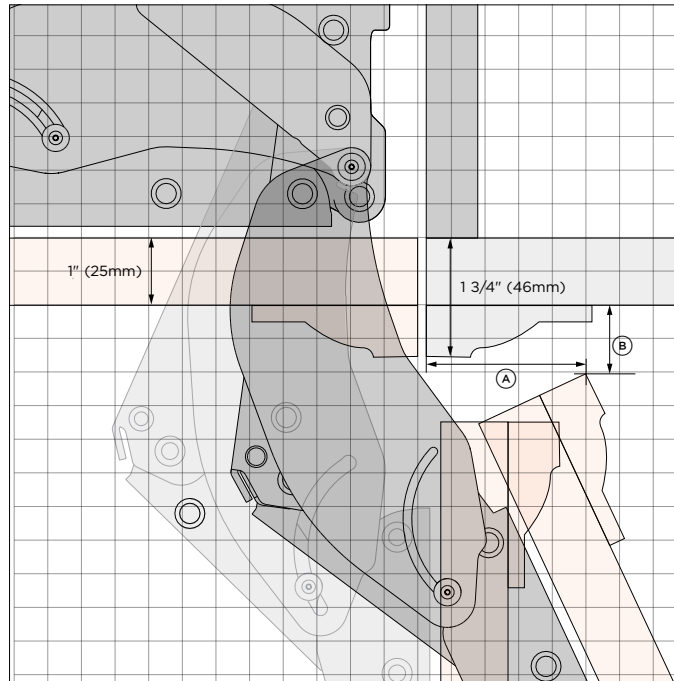
SUPPORT

For additional design planning and installation support please contact the Fisher & Paykel design support team.
designsupport@fisherpaykel.com



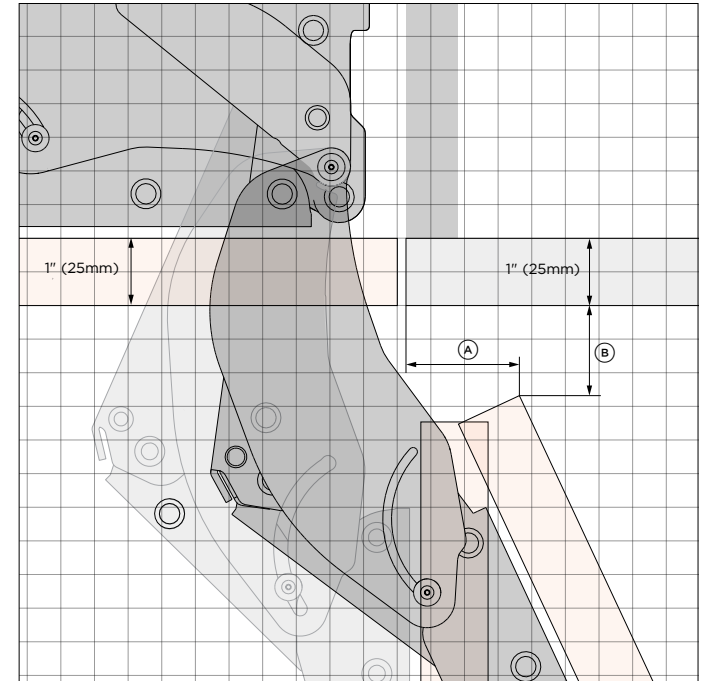
1" DOOR PANEL

- (A) Door edge distance to cabinet side : 1 21/32" (42mm)
- (B) Gap between door corner and adjacent cabinetry: 1 11/32" (34mm)



1" DOOR PANEL WITH 3/4" FRAMING

- (A) Door edge distance to cabinet side : 1 3/38" (60mm)
- (B) Gap between door corner and adjacent cabinetry: 1 11/32" (26mm)



1" OVERLAY DOOR PANEL

- (A) Door edge distance to cabinet side: 9/16" (14mm)
- (B) Gap between door corner and adjacent cabinetry: 15/32" (12mm)

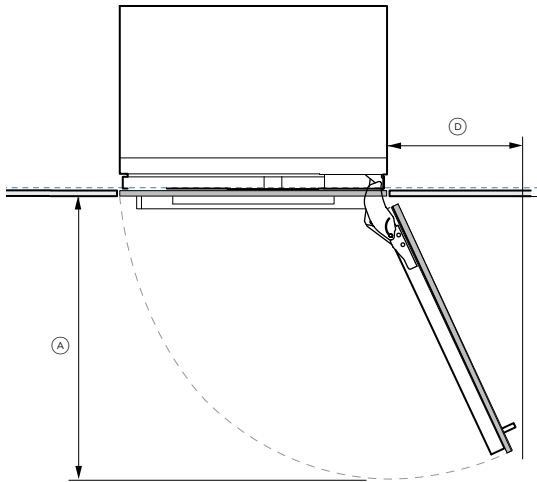
NOTE: Panel widths must be adjusted.

The models shown in this Planning Guide may not be available in all markets and are subject to change at any time. Product specifications may vary from those shown. This Planning Guide should not be used as installation guidance for any product. Further information is required to safely and correctly install the products featured here. Specific installation guidance will be available on our website fisherpaykel.com

115° INTERNAL ACCESS

115° door opening - full internal access

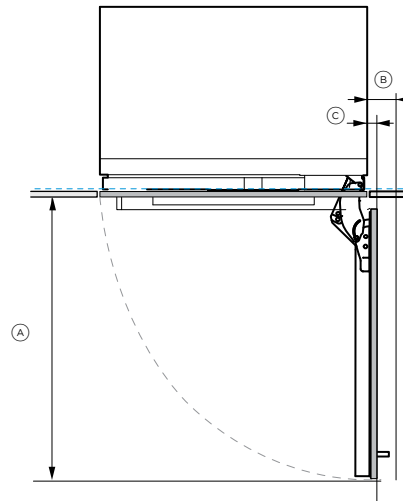
Minimum dimensions shown are for a 1 5/8" handle depth. Custom door panel and handle details need to be taken into account



90° INTERNAL ACCESS

Use hinge limiting pin to restrict door opening to 90° where necessary

Minimum dimensions shown are for a 1 5/8" handle depth. Custom door panel and handle details need to be taken into account



ADDITIONAL NOTES

Dimensions assume a panel depth of 3/4" (19mm).

MINIMUM DOOR CLEARANCES

	18" Models		24" Models		30" Models		36" Models	
	in	mm	in	mm	in	mm	in	mm
Ⓐ Door swing depth	min 20	min 508	min 26	min 660	min 32	min 813	min 38 1/16	min 967
Ⓑ Clearance for handle (at 90°)*	5 5/16	min 110	5 5/16	min 110	5 5/16	min 110	5 5/16	min 110
Ⓒ Clearance for handleless (at 90°)*	3/4	19**	3/4	19**	3/4	19**	3/4"	19**
Ⓓ Clearance for handle (at 115°)	min 11 1/2	min 292	min 14	min 356	min 17 1/8	min 435	min 14	min 356

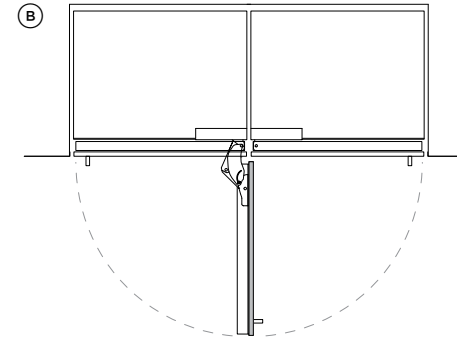
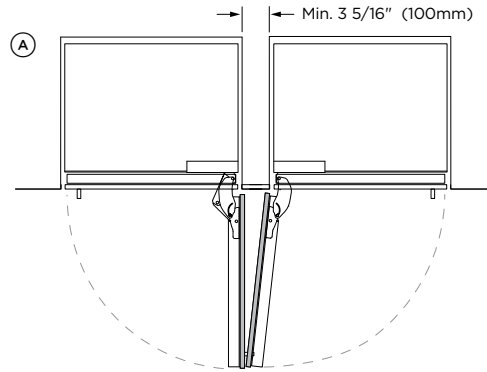
* Limiting pins are required for a 90° door swing.

NOTE: Dimensions assume a panel depth of 19mm (3/4"). Thicker panels will require a wider gap between panels.

The models shown in this Planning Guide may not be available in all markets and are subject to change at any time. Product specifications may vary from those shown. This Planning Guide should not be used as installation guidance for any product. Further information is required to safely and correctly install the products featured here. Specific installation guidance will be available on our website fisherpaykel.com

HINGE TO HINGE

- Ⓐ Both doors open at the same time - requires space between models
- Ⓑ Only allows a single door open at a time when there is a 1/8" (3mm) gap between products

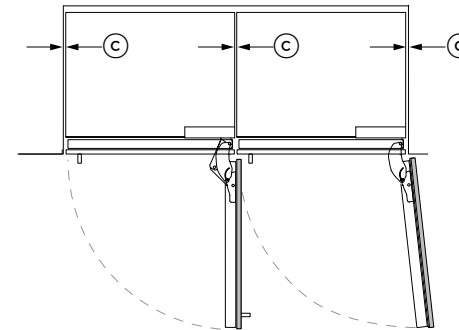
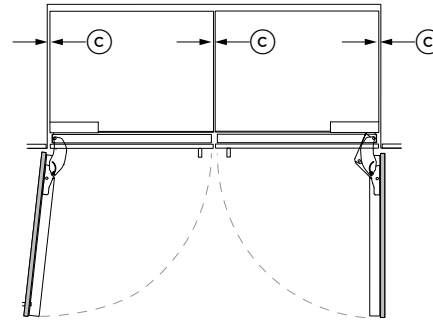


ADDITIONAL NOTES

Use hinge limiting pin to restrict door opening to 90° where necessary.
Dimensions assume a panel depth of 3/4" (19mm).

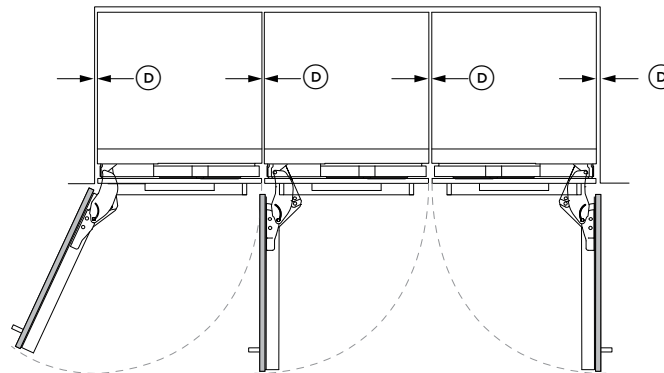
DUAL INSTALLATION

- Ⓒ Stainless steel door panels (gaps equalized during installation).
- Ⓒ Custom door panels - width of custom door panel increases to maintain 1/8" (3mm) gap across multiple products



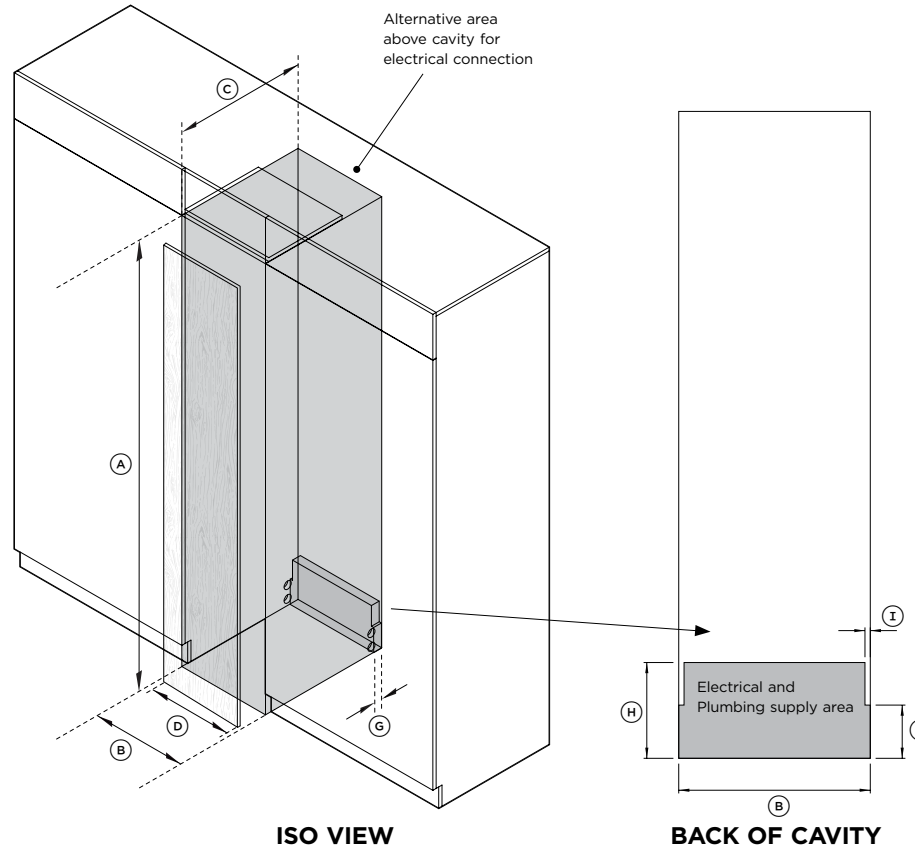
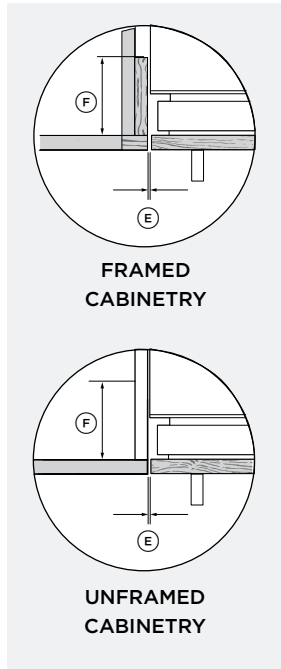
MULTIPLE INSTALLATION

- Ⓓ Stainless steel door panels (gaps equalized during installation).
- Ⓓ Custom door panels - width of custom door panel increases to maintain 1/8" (3mm) gap across multiple products



The models shown in this Planning Guide may not be available in all markets and are subject to change at any time. Product specifications may vary from those shown. This Planning Guide should not be used as installation guidance for any product. Further information is required to safely and correctly install the products featured here. Specific installation guidance will be available on our website fisherpaykel.com

CAVITY PREPARATION

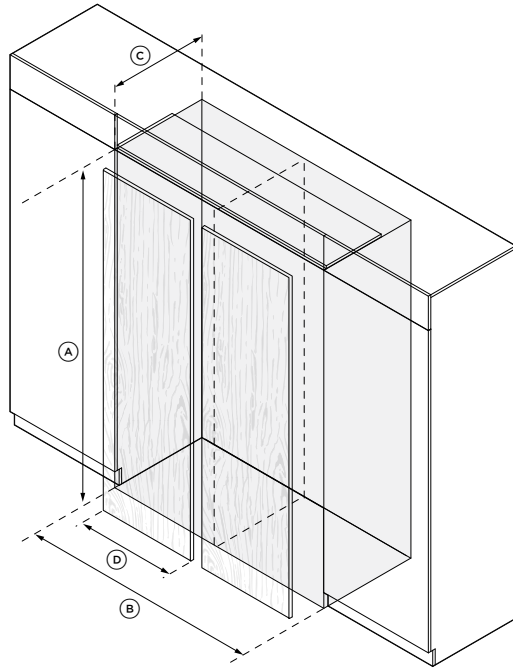


ADDITIONAL NOTES

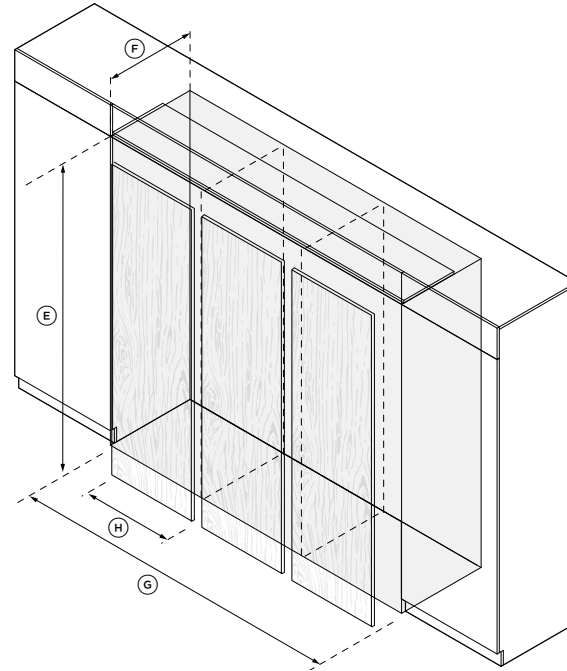
Dimensions assume a panel depth of 3/4" (19mm). Adjust dimension C for thicker panels.

CAVITY DIMENSIONS	18" Model		24" Models		30" Models		36" Models		SUPPLY AREA		
	in	mm	in	mm	in	mm	in	mm		in	mm
Ⓐ Overall height of cavity	84	2134	84	2134	84	2134	84	2134	Ⓒ Overall depth of supply area	9	229
Ⓑ Overall width of cavity	18	457	24	610	30	762	36	914	Ⓓ Overall height of supply area	1	25
Ⓒ Minimum overall depth of cavity (services located at rear of cavity)	25 5/8	650	25 5/8	650	25 5/8	650	25	650	Ⓔ Width of notch in supply area (both sides)	1/2	13
Minimum overall depth of cavity (services located at outside of cavity)	25	635	25	635	25	635	25	635	Ⓕ Height of sides of supply area (both sides)	5	127
Ⓓ Custom door panel widths	17 3/4	451	23 3/4	603	29 3/4	756	35 3/4	908			
Ⓔ Minimum gap from edge of door panel to cabinetry	1/8	3	1/8	3	1/8	3	1/8	3			
Ⓕ Minimum required finished return	4	102	4	102	4	102	4	102			

Assumes a door panel thickness of 3/4" (19mm).



DUAL INSTALL



TRIPLE INSTALL

ADDITIONAL NOTES

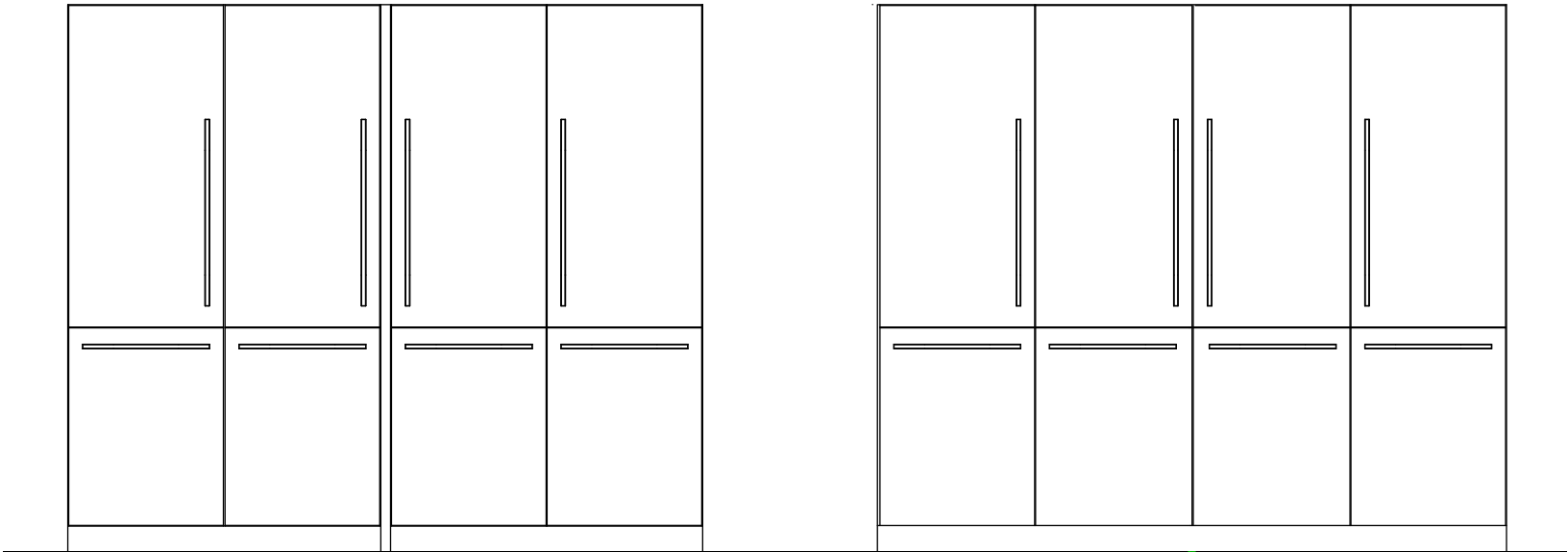
Dimensions assume a panel depth of 3/4" (19mm). Adjust dimensions C or F for thicker panels.
A maximum of three products per cavity.

CAVITY DIMENSIONS DUAL INSTALL	18" Model		24" Models		30" Models		36" Models	
	in	mm	in	mm	in	mm	in	mm
Ⓐ Overall height of cavity	84	2134	84	2134	84	2134	84	2134
Ⓑ Overall width of cavity	42	915	48	1219	54	1525	60	1829
Ⓒ Minimum overall depth of cavity*	25	635	25	635	25	635	25	635
Ⓓ Custom door panel widths	17 27/32	453	23 13/16	605	29 27/32	758	35 13/16	910
CAVITY DIMENSIONS TRIPLE INSTALL	18" Model		24" Models		30" Models		36" Models	
Ⓔ Overall height of cavity	84	2134	84	2134	84	2134	84	2134
Ⓕ Overall width of cavity	66	1371	72	1827	78	2286	84	2742
Ⓖ Minimum overall depth of cavity*	25	635	25	635	25	635	25	635
Ⓗ Custom door panel widths	17 27/32	453	23 13/16	605	29 27/32	758	35 13/16	910

Assumes a door panel thickness of 3/4" (19mm).

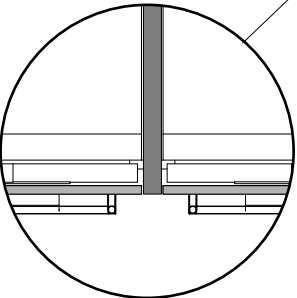
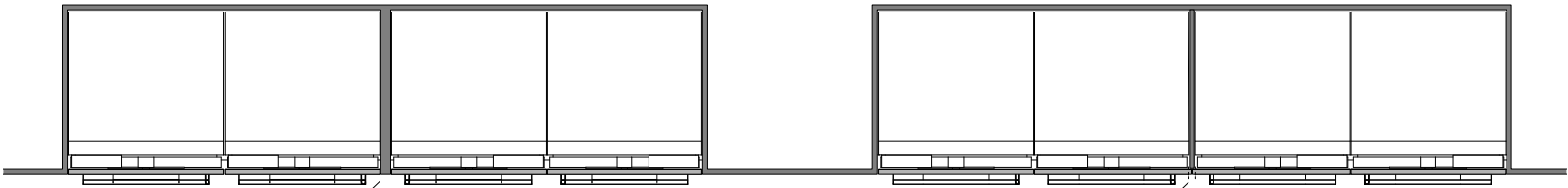
The maximum amount of appliances per cavity is three.
For more than three models a visual or hidden spacer can be used.

SUPPORT
For additional design planning and installation support please contact the Fisher & Paykel design support team
designsupport@fisherpaykel.com

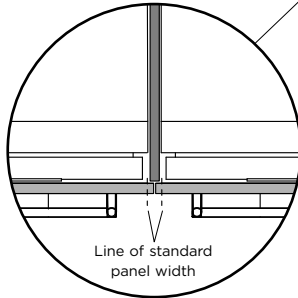


DOUBLE CAVITY WITH VISUAL SPACER

DOUBLE CAVITY WITH HIDDEN SPACER



VISUAL SPACER
Standard panel widths can be used with a visual cavity spacer.



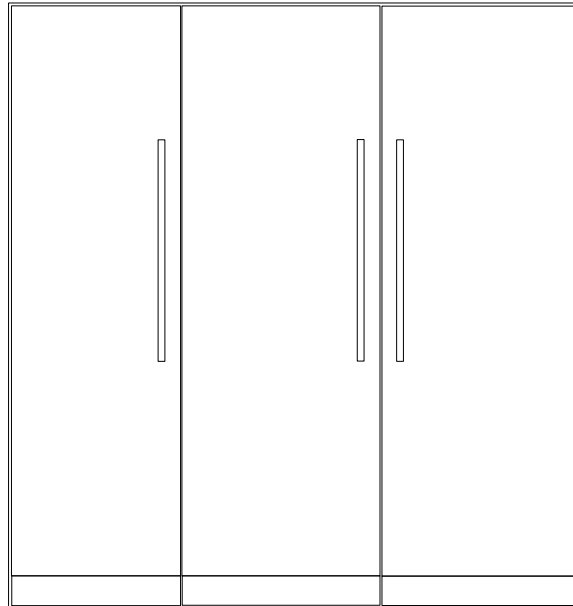
HIDDEN SPACER
If overlaying panels to hide the cavity spacer, allow for extra panel width.

To calculate the total cavity width for installing different models:

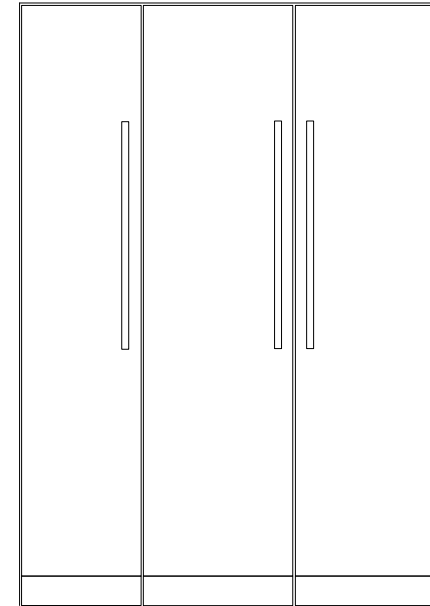
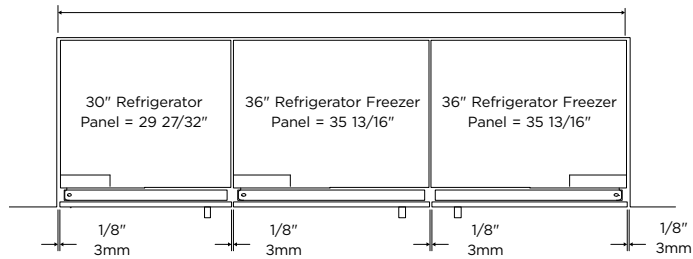
Add the widths of each panel for dual or triple installations.
Add 1/8 inch (3mm) for every gap between the appliances and the cabinet walls.

SUPPORT

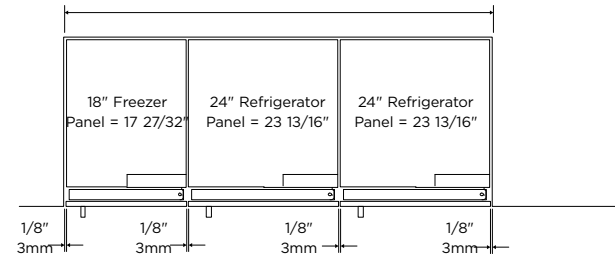
For additional design planning and installation support please contact the Fisher & Paykel design support team
designsupport@fisherpaykel.com



Cavity = 101 31/32" (2590mm)



Cavity = 65 1/23" (1675mm)



PANEL WIDTHS

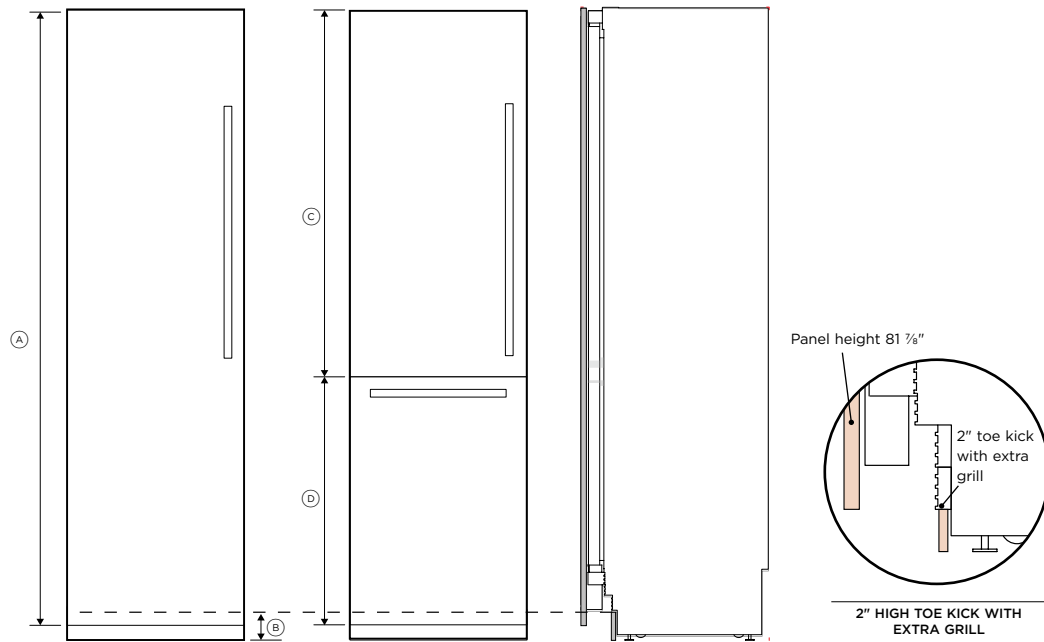
Ⓢ Overall width of panel for dual or multiple install

Assumes a door panel thickness of 3/4" (19mm).

18" Model		24" Models		30" Models		36"Models	
in	mm	in	mm	in	mm	in	mm
17 27/32	453	23 15/16	605	29 27/32	758	35 13/16	910

2" TOE KICK WITH EXTENDED PANEL OPTIONS

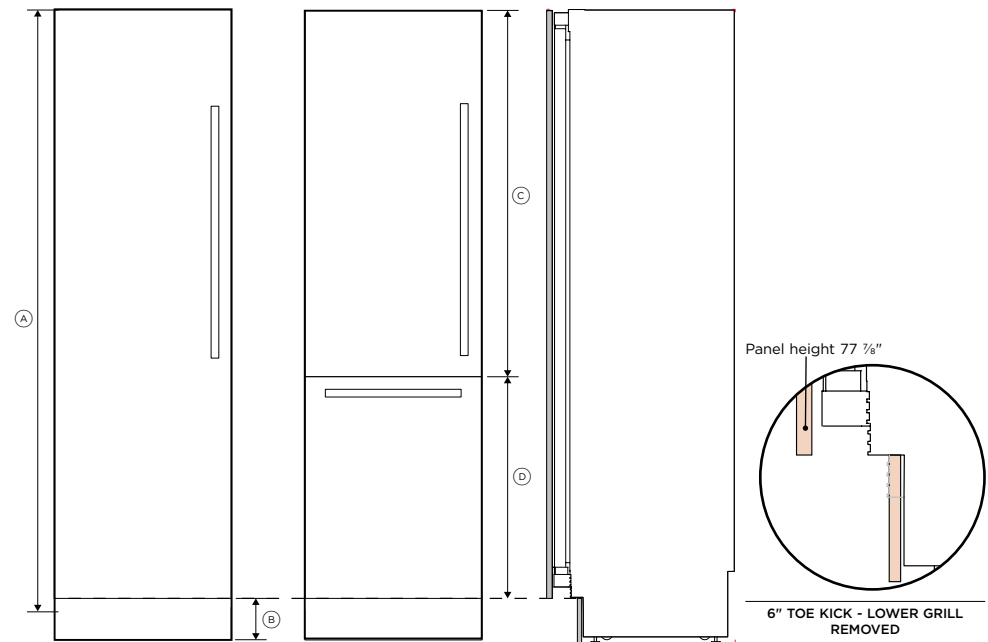
The standard toe kick height is 4" and the standard panel height is 79 7/8" (single door). For refrigerator freezers the standard toe kick height is 4" and the drawer panel height is 30 3/8". For single doors, a 2" high toe kick can be achieved by installing a 81 7/8" panel with an extra grill installed.



LOW TO FLOOR - PANEL & LOW Toe kick	in	mm
Ⓐ Panel height - single door	81 7/8	2080
Ⓑ Toe kick height	2	50
Ⓒ Door height	49 3/8	1254
Ⓓ Drawer height	32 3/8	822

6" TOE KICK WITH SHORTENED PANEL OPTIONS

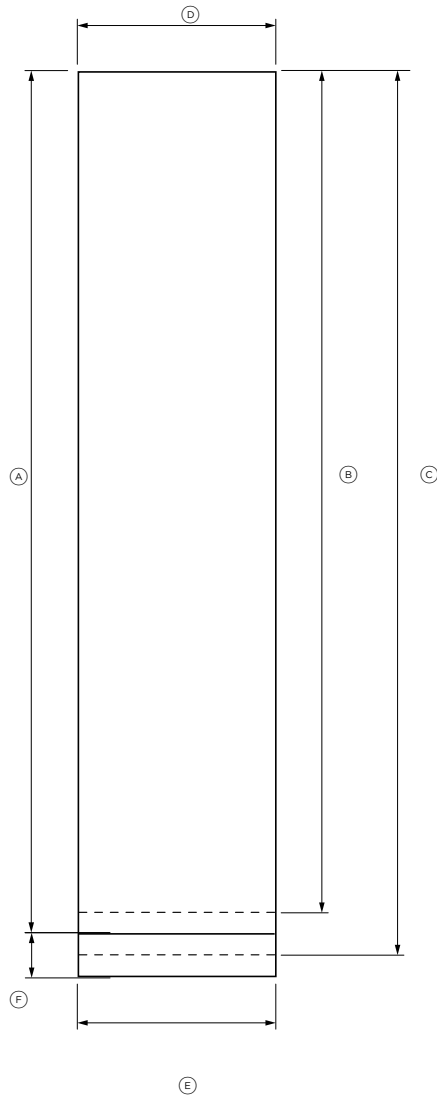
The standard toe kick height is 4" and the standard panel height is 79 7/8" (single door). For refrigerator freezers the standard toe kick height is 4" and the drawer panel height is 30 3/8". For single doors, a 6" toe kick with a 77 7/8" high panel can be achieved by removing the lower grill and the airflow divider.



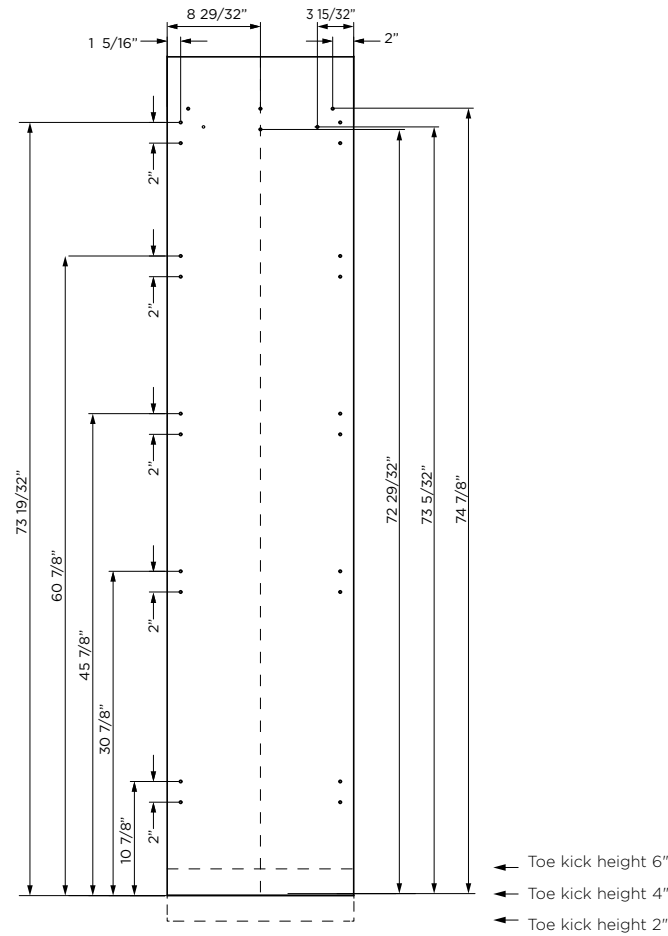
HIGH ABOVE FLOOR - PANEL & HIGH Toe kick	in	mm
Ⓐ Panel height - single door	77 7/8	1978
Ⓑ Toe kick height	6	152
Ⓒ Door height	49 3/8	1254
Ⓓ Drawer height	28 3/8	721

CUSTOM DOOR PANEL PREPARATION

PANEL DIMENSIONS



MOUNTING HOLES



Model no: RS1884FLJE1, RS1884FLJK1

Custom Panel Dimensions		in	mm
A	Height of door panel (standard 4" from floor)	79 7/8	2029
B	Height of door panel (6" from floor)*	77 7/8	1978
C	Height of door panel (2" from floor)*	81 7/8	2080
D	Width of single panel	17 3/4	451
	Width of dual/multiple panels	17 27/32	453
E	Width of toe kick	17 7/8	454
F	Toe kick height**	2 - 6	50 - 152
	Panel thickness	min 3/4	min 19

Clearance Dimensions*

Minimum cabinetry gap clearance from edge of door panel	1/8	3
---	-----	---

*Custom door panels, toe kick and handles to be manufactured / fitted by a cabinet maker.

**Toe kick can height can vary depending on panel height and ventilation.

Dimensions apply for the preparation and installation of Custom door panels.

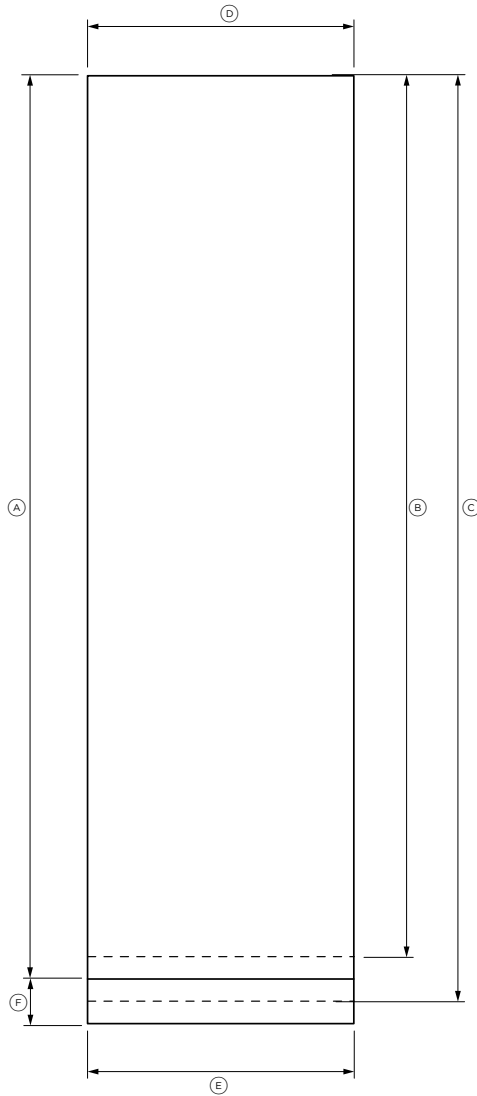
Dwg and Dxf files of the panel preparation can be downloaded from www.fisherpaykel.com

The thickness of the custom door panel can vary provided that the screws do not penetrate beyond the full depth of the door panel.

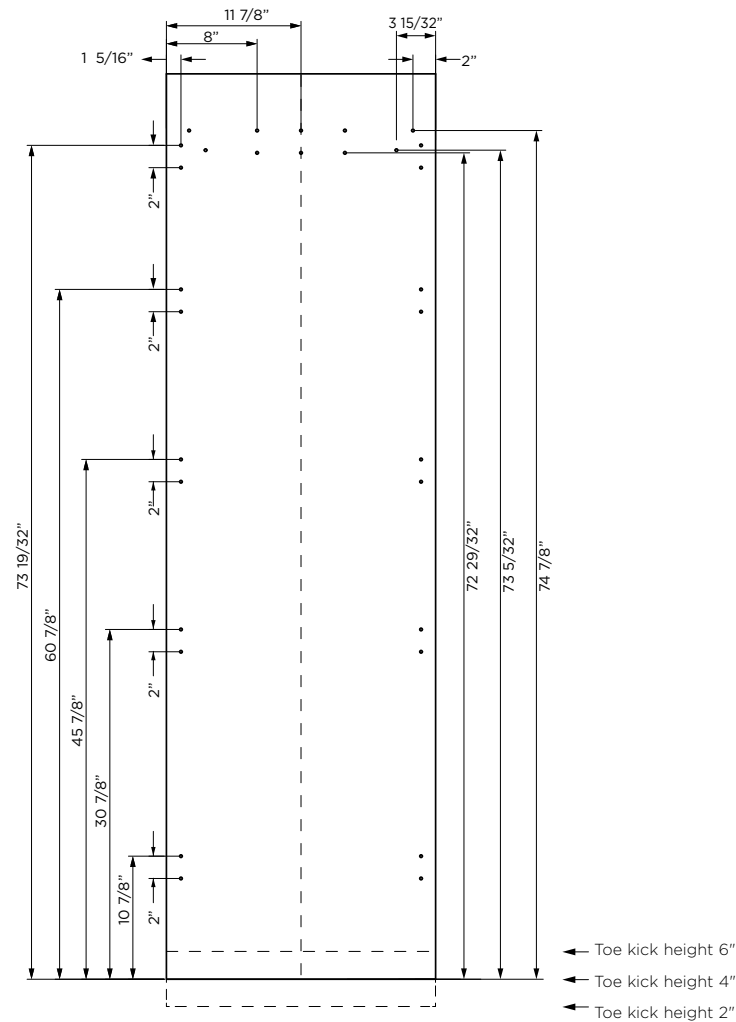
18x Pilot holes recommended for bracket attachment. (Do not penetrate front surface).

Do not place pilot holes for handle attachment in marked areas to avoid clashing with panel attachment brackets

PANEL DIMENSIONS



MOUNTING HOLES



Model no: RS2484SRHE1, RS2484SLHE1 RS2484FRJE1, RS2484FLJE1 RS2484SRK1, RS2484SRHK1, RS2484FLJK1

Custom Panel Dimensions		in	mm
Ⓐ	Height of door panel (standard 4" from floor)*	79 7/8	2029
Ⓑ	Height of door panel (6" from floor)*	77 7/8	1978
Ⓒ	Height of door panel (2" from floor)*	81 7/8	2080
Ⓓ	Width of single panel	23 3/4	603
	Width of dual/multiple panels	23 13/16	605
Ⓔ	Width of toe kick	23 7/8	606
Ⓕ	Toe kick height**	2 - 6	50 - 152
	Panel thickness	min 3/4	min 19mm

Clearance Dimensions*

Minimum cabinetry gap clearance from edge of door panel	1/8	3
---	-----	---

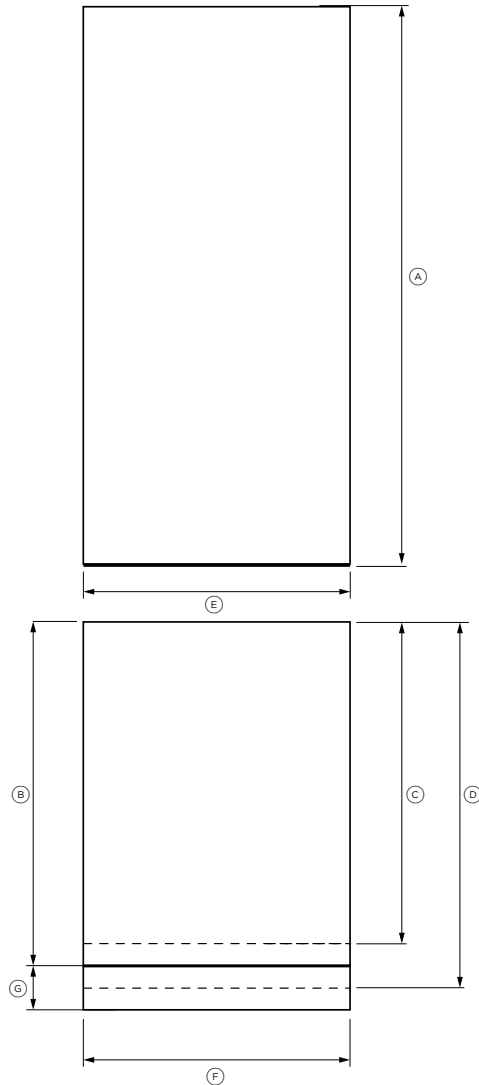
*Custom door panels, toe kick and handles to be manufactured / fitted by a cabinet maker.
 **Toe kick can height can vary depending on panel height and ventilation.

Dimensions apply for the preparation and installation of Custom door panels.
 Dwg and Dxf files of the panel preparation can be downloaded from www.fisherpaykel.com
 The thickness of the custom door panel can vary provided that the screws do not penetrate beyond the full depth of the door panel.

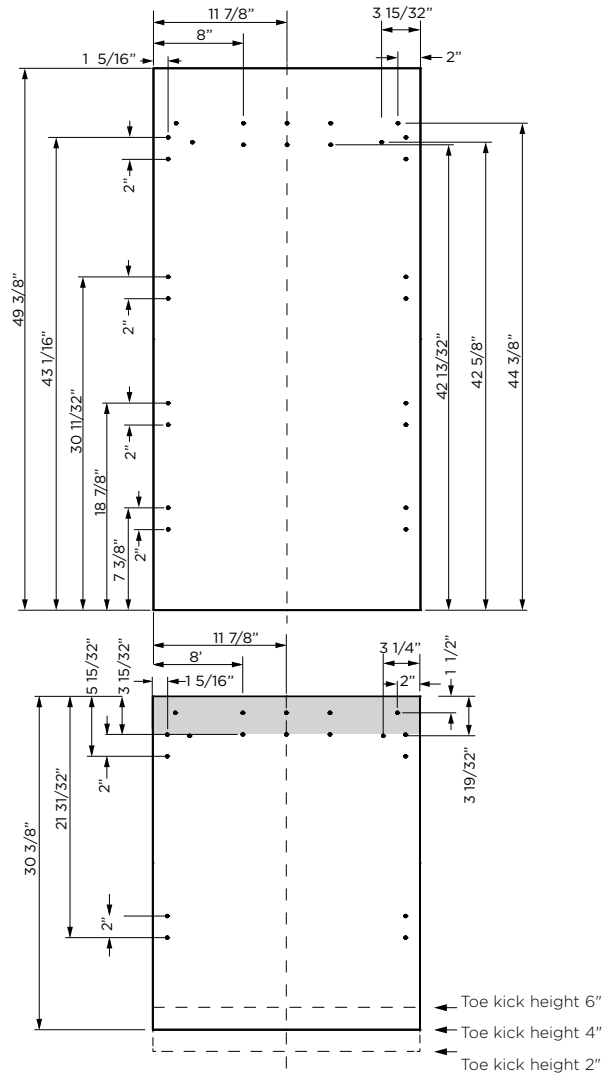
22x Pilot holes recommended for bracket attachment. (Do not penetrate front surface).
 Do not place pilot holes for handle attachment in marked areas to avoid clashing with panel attachment brackets.

The models shown in this Planning Guide may not be available in all markets and are subject to change at any time. Product specifications may vary from those shown. This Planning Guide should not be used as installation guidance for any product. Further information is required to safely and correctly install the products featured here. Specific installation guidance will be available on our website fisherpaykel.com

PANEL DIMENSIONS



MOUNTING HOLES



Model no: RS2484WRUE1, RS2484WRUK1, RS2484WLUE1, RS2484WLUK1

Custom Panel Dimensions	in	mm
Ⓐ Height of door panel refrigerator*	49 3/8	1254
Ⓑ Height of drawer panel (standard)	30 3/8	771
Ⓒ Height of drawer panel (6" from floor)	28 3/8	721
Ⓓ Height of drawer panel (2" from floor)	32 3/8	822
Ⓔ Width of single panel	23 3/4	603
Width of dual/multiple panels	23 13/16	605
Ⓕ Width of toe kick	23 7/8	606
Ⓖ Toe kick height**	2 - 6	50 - 152
Panel thickness	min 3/4	min 19mm

Clearance Dimensions*

Minimum cabinetry gap clearance from edge of door panel	1/8	3
---	-----	---

*Custom door panels, toe kick and handles to be manufactured / fitted by a cabinet maker.

**Toe kick can height can vary depending on panel height and ventilation.

Dimensions apply for the preparation and installation of Custom door panels.

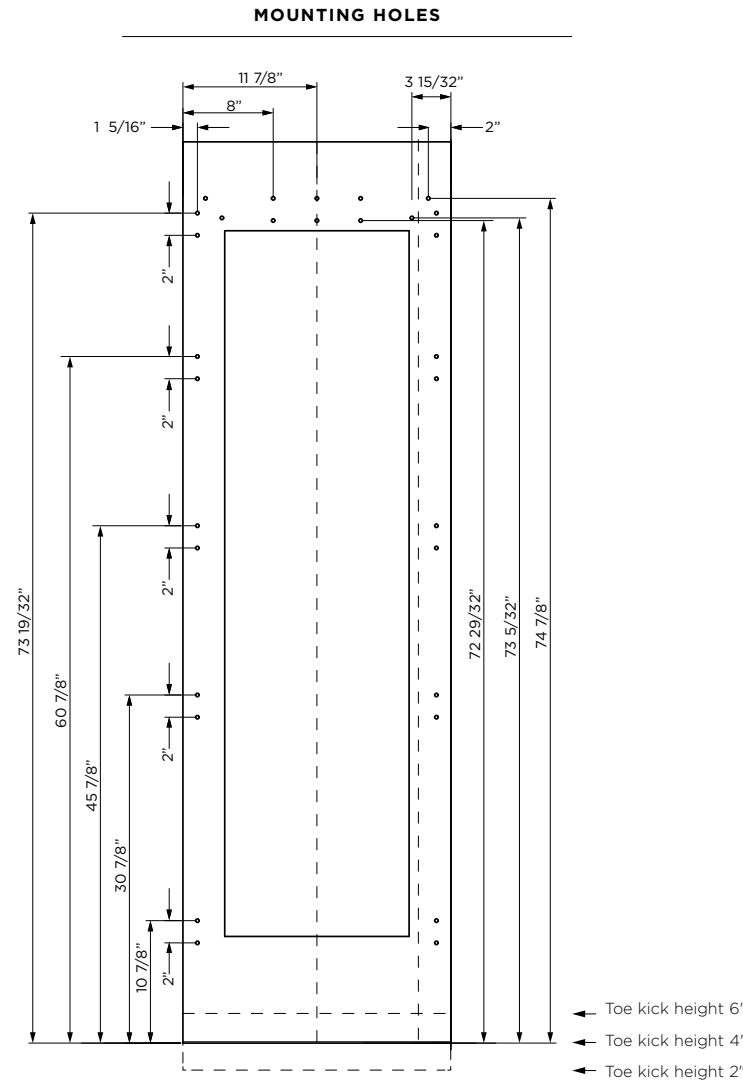
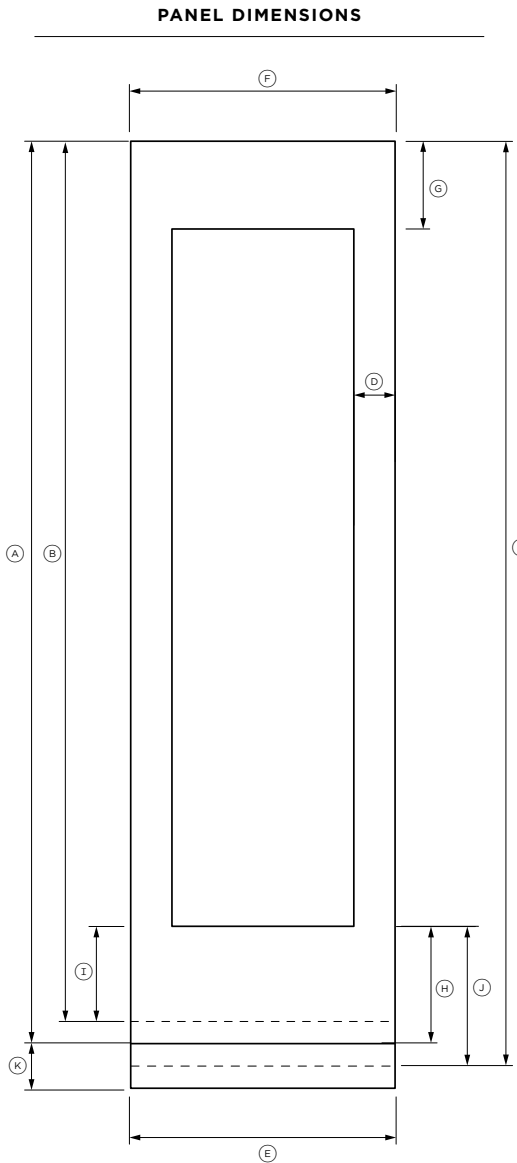
Dwg and Dxf files of the panel preparation can be downloaded from www.fisherpaykel.com

The thickness of the custom door panel can vary provided that the screws do not penetrate beyond the full depth of the door panel.

22x Pilot holes recommended for bracket attachment. (Do not penetrate front surface).

Do not place pilot holes for handle attachment in marked areas to avoid clashing with panel attachment brackets.

The models shown in this Planning Guide may not be available in all markets and are subject to change at any time. Product specifications may vary from those shown. This Planning Guide should not be used as installation guidance for any product. Further information is required to safely and correctly install the products featured here. Specific installation guidance will be available on our website fisherpaykel.com



- ← Toe kick height 6"
- ← Toe kick height 4"
- ← Toe kick height 2"

Model no: RS2484VL2K1, RS2484VR2K1

Custom Panel Dimensions all models*		in	mm
Ⓐ	Height of door panel (standard 4" from floor)	79 7/8	2029
Ⓑ	Height of door panel (6" from floor)	77 7/8	1978
Ⓒ	Height of door panel (2" from floor)	81 7/8	2080
Ⓓ	Width of single panel	23 3/4	603
	Width of dual/multiple panels	23 13/16	605
Ⓔ	Width of toe kick	23 7/8	606
Ⓕ	Width of side frames single install	3 11/16	94
	Width of side frames dual install	3 3/4	95
Ⓖ	Height of top frame	7 7/8" - 11 7/8"	200 - 302
Ⓗ	Height of lower frame	9 7/16	240
Ⓘ	Height of lower panel (6" from floor)	7 7/16	189
Ⓝ	Height of lower panel (2" from floor)	11 7/16	291
Ⓚ	Toe kick height**	1 7/16	50 - 152
	Panel thickness	min 3/4	min 19mm

Clearance Dimensions*

Minimum cabinetry gap clearance from edge of door panel	1/8	3
---	-----	---

*Custom door panels, toe kick and handles to be manufactured / fitted by a cabinet maker.
 **Toe kick can height can vary depending on panel height and ventilation.

Dwg and Dxf files of the panel preparation can be downloaded from www.fisherpaykel.com

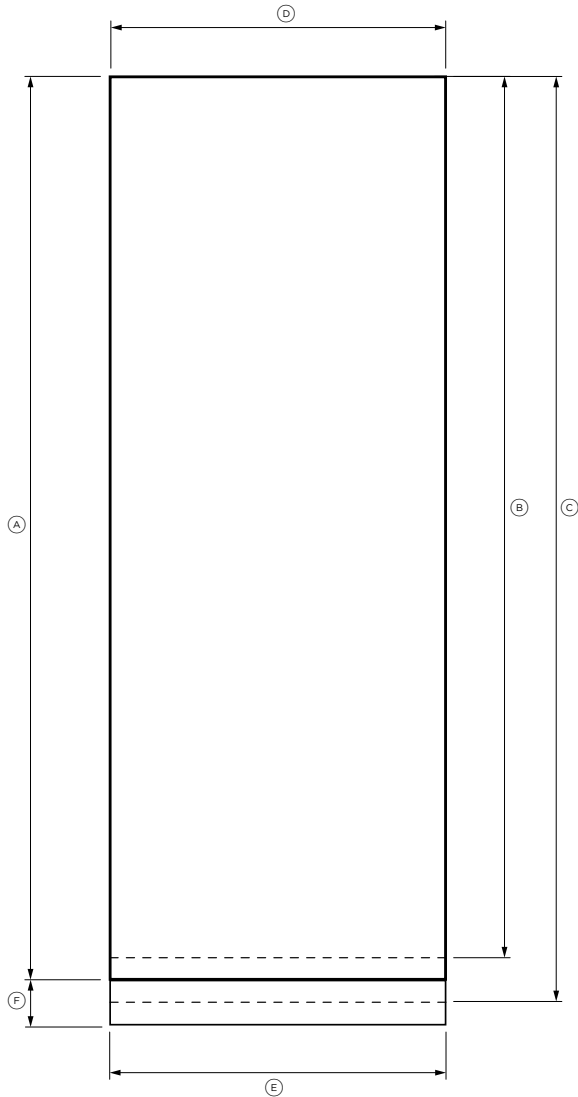
The thickness of the custom door panel can vary provided that the screws do not penetrate beyond the full depth of the door panel.

22x Pilot holes recommended for bracket attachment. (Do not penetrate front surface).

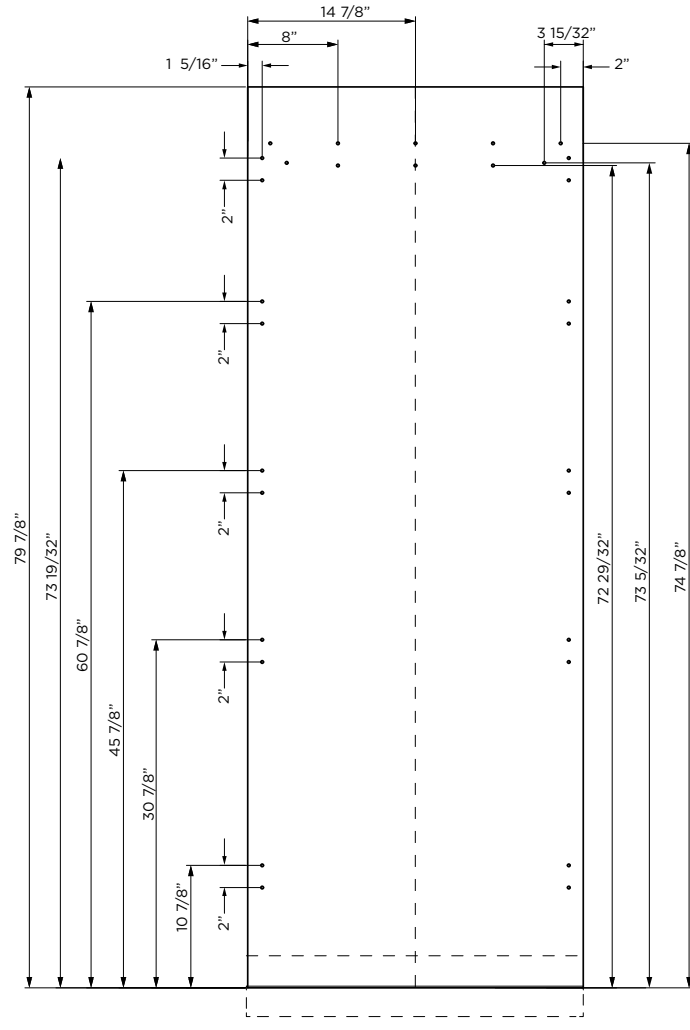
Do not place pilot holes for handle attachment in marked areas to avoid clashing with panel attachment brackets.

The models shown in this Planning Guide may not be available in all markets and are subject to change at any time. Product specifications may vary from those shown. This Planning Guide should not be used as installation guidance for any product. Further information is required to safely and correctly install the products featured here. Specific installation guidance will be available on our website fisherpaykel.com

PANEL DIMENSIONS



MOUNTING HOLES



Model no: RS3084SRHE1, RS3084SLHE1, RS3084FRJE1, RS3084FLJE1, RS3084SRK1, RS3084FLJK1

Custom Panel Dimensions all models*		
	in	mm
Ⓐ Height of door panel (standard 4" from floor)	79 7/8	2029
Ⓑ Height of door panel (6" from floor)	77 7/8	1978
Ⓒ Height of door panel (2" from floor)	81 7/8	2080
Ⓓ Width of single panel	29 3/4	756
Width of dual/multiple panels	29 27/32	758
Ⓔ Width of toe kick	29 7/8	759
Ⓕ Toe kick height**	2 - 6	50 - 152
Panel thickness	min 3/4	min 19mm

Clearance Dimensions*

Minimum cabinetry gap clearance from edge of door panel	1/8	3
---	-----	---

*Custom door panels, toe kick and handles to be manufactured / fitted by a cabinet maker.

**Toe kick can height can vary depending on panel height and ventilation.

Dwg and Dxf files of the panel preparation can be downloaded from www.fisherpaykel.com

The thickness of the custom door panel can vary provided that the screws do not penetrate beyond the full depth of the door panel.

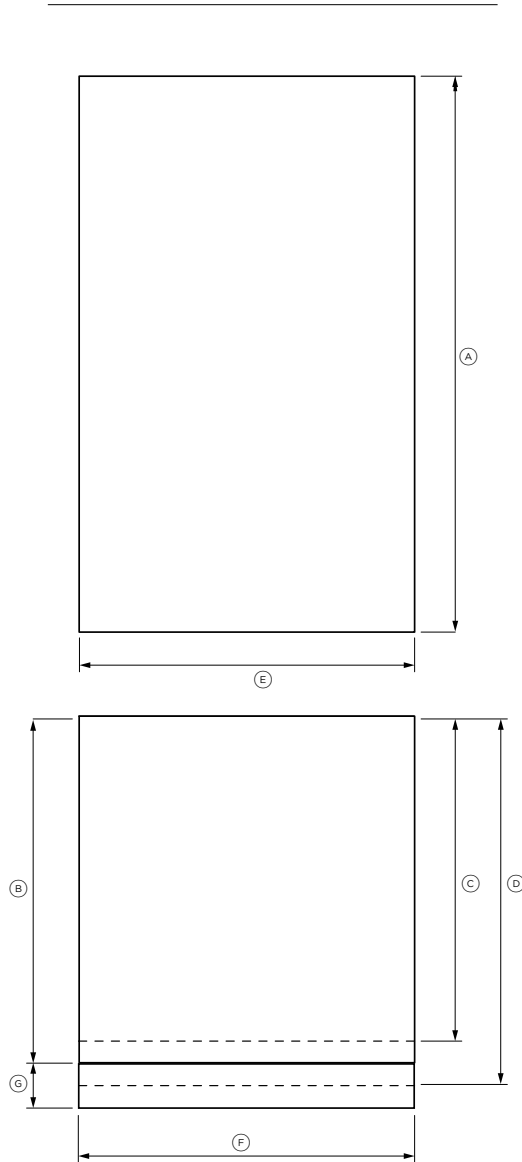
22x Pilot holes recommended for bracket attachment. (Do not penetrate front surface).

Do not place pilot holes for handle attachment in marked areas to avoid clashing with panel attachment brackets.

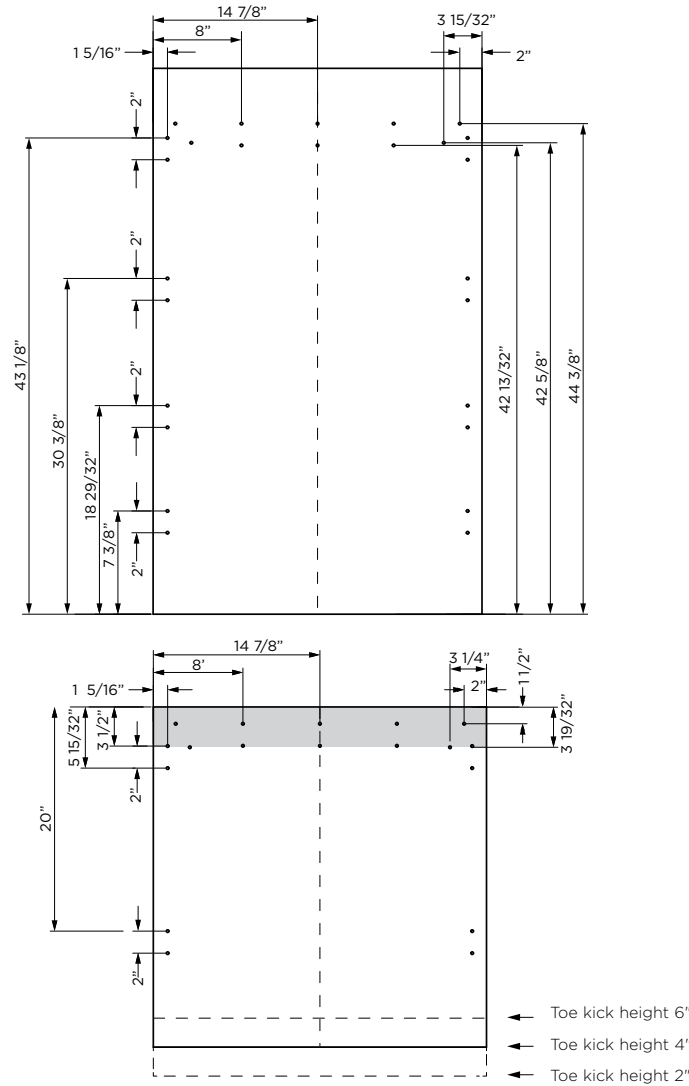
- ← Toe kick height 6"
- ← Toe kick height 4"
- ← Toe kick height 2"

The models shown in this Planning Guide may not be available in all markets and are subject to change at any time. Product specifications may vary from those shown. This Planning Guide should not be used as installation guidance for any product. Further information is required to safely and correctly install the products featured here. Specific installation guidance will be available on our website fisherpaykel.com

PANEL DIMENSIONS



MOUNTING HOLES



Model no: RS3084WLUE1, RS3084WLUE1, RS3084WRUE1, RS3084WRUK1

Custom Panel Dimensions*		
	in	mm
Ⓐ Height of door panel refrigerator	49 3/8	1254
Ⓑ Height of drawer panel (standard)	30 3/8	771
Ⓒ Height of drawer panel (6" from floor)	28 3/8	721
Ⓓ Height of drawer panel (2" from floor)	32 3/8	822
Ⓔ Width of single panel	29 3/4	756
Width of dual/multiple panels	29 27/32	758
Ⓕ Width of toe kick	29 7/8	759
Ⓖ Toe kick height**	2 - 6	50 - 152
Panel thickness	min 3/4	min 19mm

Clearance Dimensions*

Minimum cabinetry gap clearance from edge of door panel	1/8	3
---	-----	---

*Custom door panels, toe kick and handles to be manufactured / fitted by a cabinet maker.

**Toe kick can height can vary depending on panel height and ventilation.

Dwg and Dxf files of the panel preparation can be downloaded from www.fisherpaykel.com

The thickness of the custom door panel can vary provided that the screws do not penetrate beyond the full depth of the door panel.

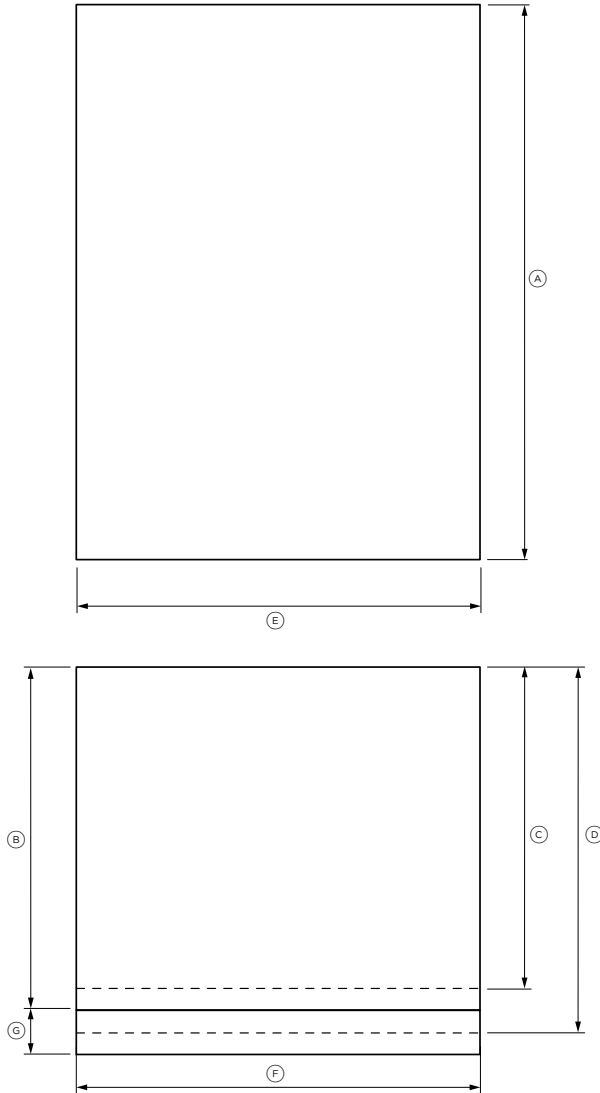
Cut-outs in the hanging bracket are applicable for Fisher and Paykel handles only.

If locating a custom handle in the shaded area shown above, ensure handle screw heads are countersunk into the back of the door panel to avoid interference with the hanging bracket.

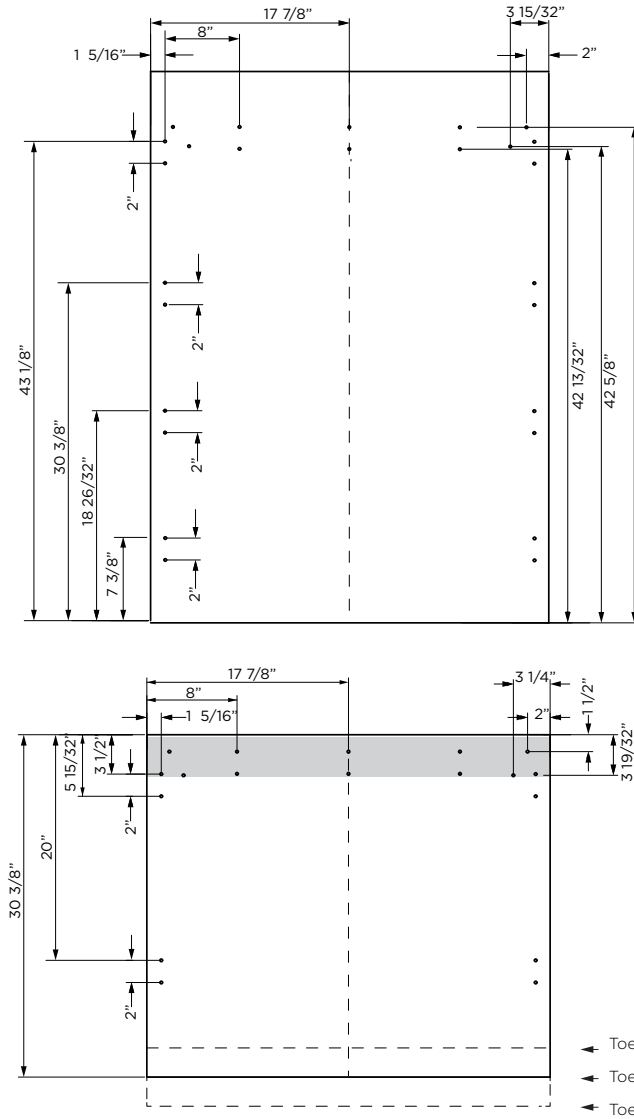
10x Pilot holes recommended for bracket attachment. (Do not penetrate front surface).

Ensure handle is mounted 65mm from edge of panel to the centre—this will avoid interference with bracket.

PANEL DIMENSIONS



MOUNTING HOLES



Model no: RS3684WRUVE1, RS3684WLUVE1

Custom Panel Dimensions*		in	mm
Ⓐ	Height of door panel refrigerator	49 3/8	1254
Ⓑ	Height of drawer panel (standard)	30 3/8	771
Ⓒ	Height of drawer panel (6" from floor)	28 3/8	721
Ⓓ	Height of drawer panel (2" from floor)	32 3/8	822
Ⓔ	Width of single panel	35 3/4	908
	Width of dual/multiple panels	35 13/16	910
Ⓕ	Width of toe kick	35 7/8	911
Ⓖ	Toe kick height**	2 - 6	50 - 152
	Panel thickness	min 3/4	min 19mm

Clearance Dimensions*

Minimum cabinetry gap clearance from edge of door panel	1/8	3
---	-----	---

*Custom door panels, toe kick and handles to be manufactured / fitted by a cabinet maker.

**Toe kick can height can vary depending on panel height and ventilation.

Dwg and Dxf files of the panel preparation can be downloaded from www.fisherpaykel.com

The thickness of the custom door panel can vary provided that the screws do not penetrate beyond the full depth of the door panel.

10x Pilot holes recommended for bracket attachment. (Do not penetrate front surface).

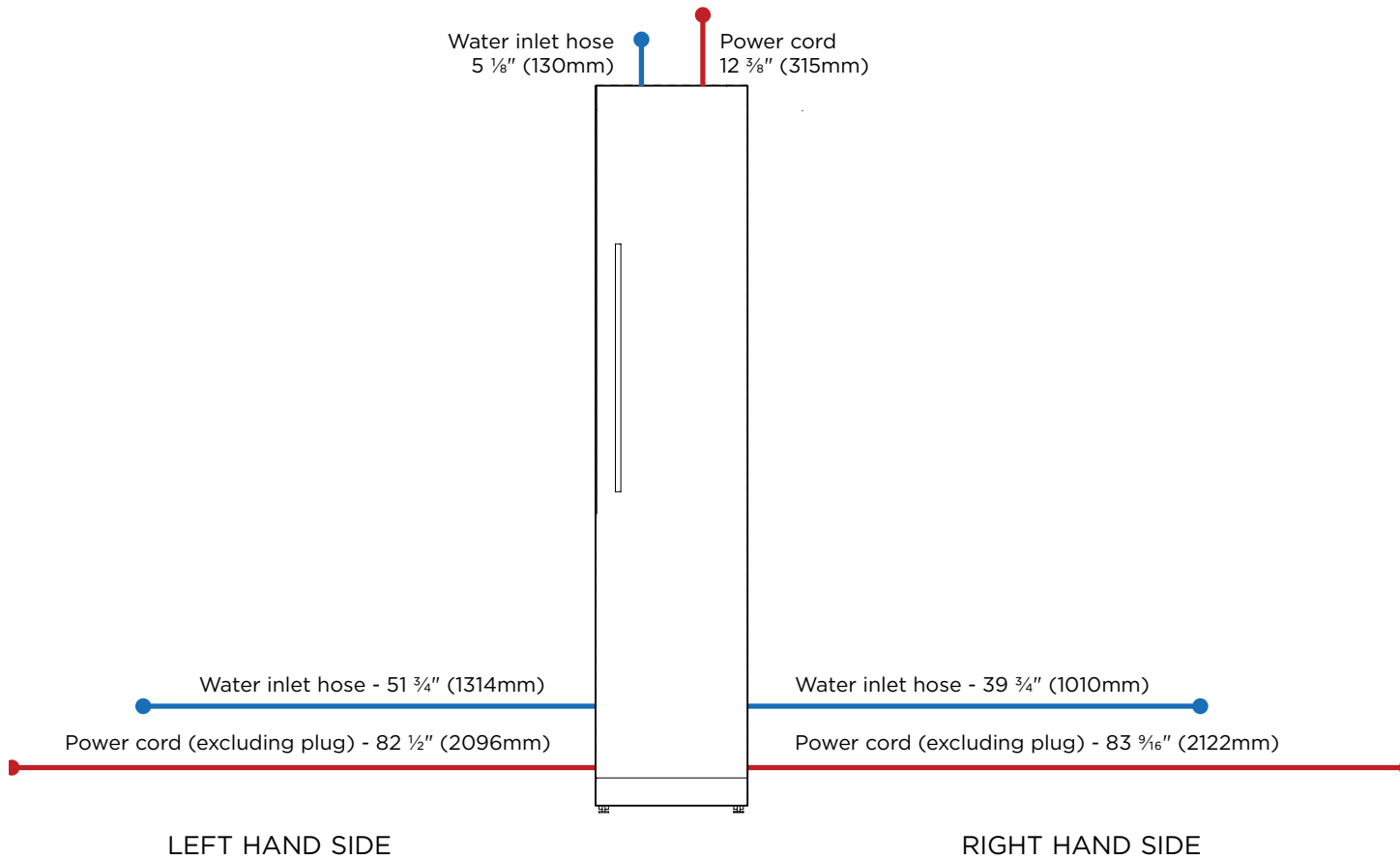
Ensure handle is mounted 65mm from edge of panel to the centre – this will avoid interference with bracket.

Cut-outs in the hanging bracket are applicable for Fisher and Paykel handles only.

If locating a custom handle in the shaded area shown above, ensure handle screw heads are countersunk into the back of the door panel to avoid interference with the hanging bracket.

The models shown in this Planning Guide may not be available in all markets and are subject to change at any time. Product specifications may vary from those shown. This Planning Guide should not be used as installation guidance for any product. Further information is required to safely and correctly install the products featured here. Specific installation guidance will be available on our website fisherpaykel.com

SERVICES



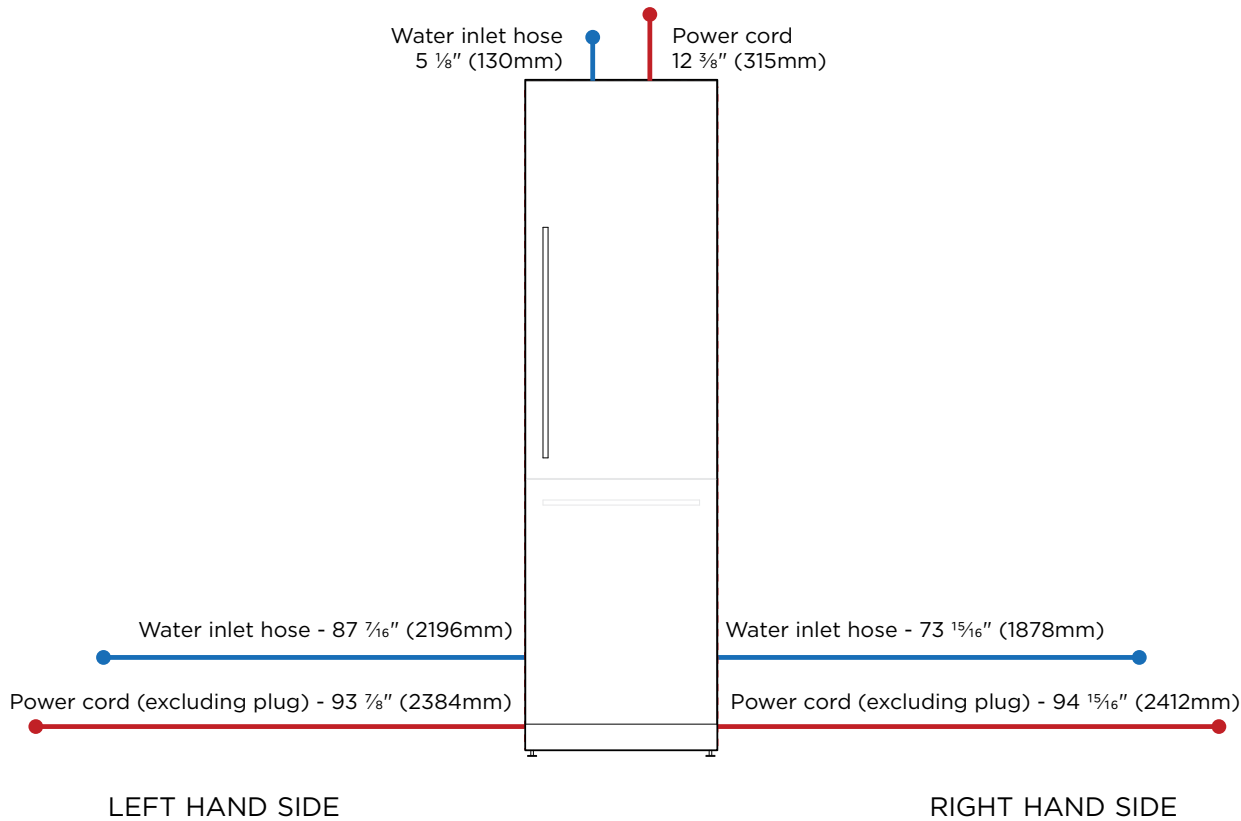
Electrical / Plumbing Specifications

Specifications

Electrical	
Supply	230 V, 50 Hz
Service	10 A circuit
Plumbing	
Supply	AU/NZ 1/2" (12.7mm) comp. stainless steel braided with hose adopter GB/EU/CN 3/4" (19mm) comp. stainless steel braided with hose adopter
Pressure	min 150 kPa (22 psi) max 827 kPa (120 psi) @ 20°C (68°F)

NOTE: Connections may be located in an adjacent cabinet to either side of the fridge.

IMPORTANT NOTE: Throughout this guide, dimensions may vary by ±2mm (1/16"). Please read the Installation Guide for detailed information on installing the product. For full installation instructions visit fisherpaykel.com



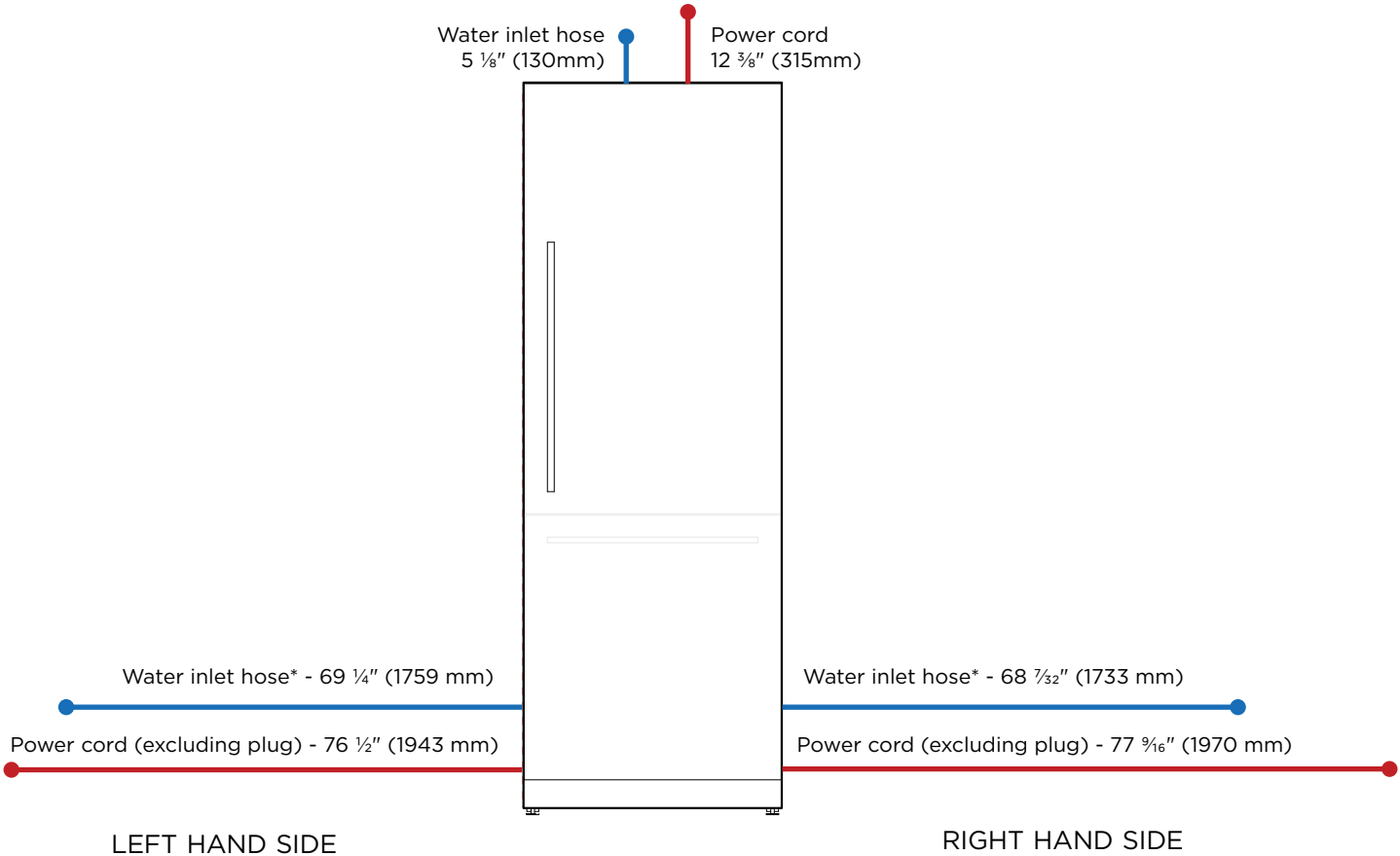
Electrical / Plumbing Specifications

Specifications

Electrical	
Supply	230 V, 50 Hz
Service	10 A circuit
Plumbing	
Supply	AU/NZ 1/2" (12.7mm) comp. stainless steel braided with hose adopter GB/EU/CN 3/4" (19mm) comp. stainless steel braided with hose adopter
Pressure	min 150 kPa (22 psi) max 827 kPa (120 psi) @ 20°C (68°F)

NOTE: Connections may be located in an adjacent cabinet to either side of the fridge.

IMPORTANT NOTE: Throughout this guide, dimensions may vary by ±2mm (1/16"). Please read the Installation Guide for detailed information on installing the product. For full installation instructions visit fisherpaykel.com



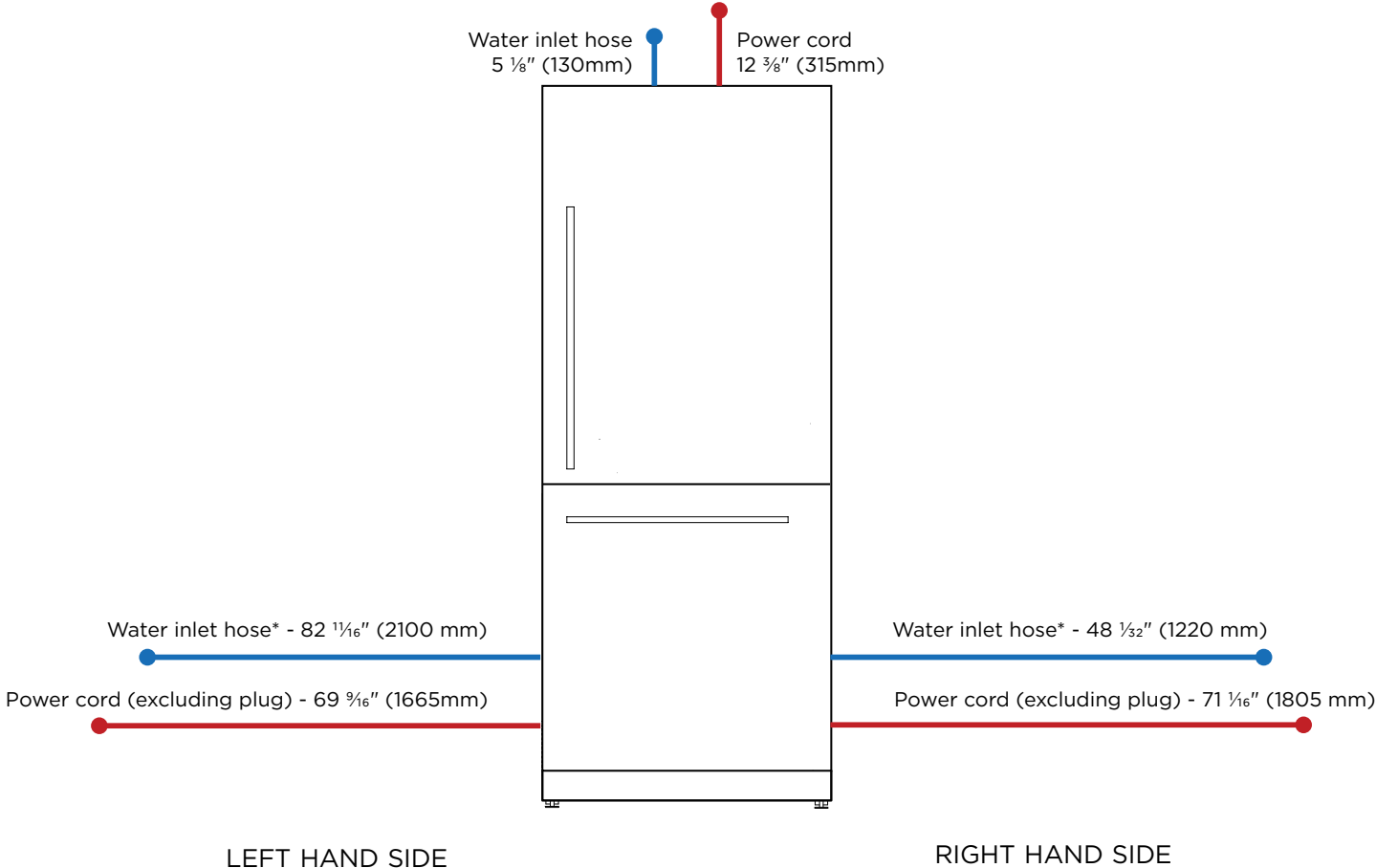
Electrical / Plumbing Specifications

Specifications

Electrical	
Supply	230 V, 50 Hz
Service	10 A circuit
Plumbing	
Supply	AU/NZ 1/2" (12.7mm) comp. stainless steel braided with hose adopter GB/EU/CN 3/4" (19mm) comp. stainless steel braided with hose adopter
Pressure	min 150 kPa (22 psi) max 827 kPa (120 psi) @ 20°C (68°F)

NOTE: Connections may be located in an adjacent cabinet to either side of the fridge.

IMPORTANT NOTE: Throughout this guide, dimensions may vary by ±2mm (1/16"). Please read the Installation Guide for detailed information on installing the product. For full installation instructions visit fisherpaykel.com



Electrical / Plumbing Specifications

Specifications

Electrical	
Supply	230 V, 50 Hz
Service	10 A circuit
Plumbing	
Supply	AU/NZ 1/2" (12.7mm) comp. stainless steel braided with hose adopter GB/EU/CN 3/4" (19mm) comp. stainless steel braided with hose adopter
Pressure	min 150 kPa (22 psi) max 827 kPa (120 psi) @ 20°C (68°F)

NOTE: Connections may be located in an adjacent cabinet to either side of the fridge.

IMPORTANT NOTE: Throughout this guide, dimensions may vary by ±2mm (1/16"). Please read the Installation Guide for detailed information on installing the product. For full installation instructions visit fisherpaykel.com

