

FISHER & PAYKEL

30" PROFESSIONAL
RANGES & BACKGUARDS

RDV3-304

BGRV2-1230, BGRV2-3030, BGRV3-3030H models

PLANNING GUIDE



OVERVIEW

Complement a kitchen design with the Dual Fuel Range, 30". This range offers an intuitive, high-resolution touch display, four-burner gas rangetop, an electronic oven with generous capacity and comprehensive cooking functions to deliver perfect results.

PRODUCTS

RDV3-304-N

Dual Fuel Range, 30", 4 Burners

RDV3-304-L

Dual Fuel Range, 30", 4 Burners, LPG

SERIES & STYLE

Series 9

Professional

FEATURES

- ① Stainless steel
- ② High-resolution, user-friendly touch display
- ③ Metal illuminated dials
- ④ Electronic oven control
- ⑤ Perfect results from 15 oven functions
- ⑥ Guided cooking by food type and recipes
- ⑦ 4 cu ft-capacity oven cavity
- ⑧ Self-cleaning oven with pyrolytic ladders
- ⑨ Sealed Dual Flow Burners™
- ⑩ Dishwasher-proof, cast-iron trivets

ACCESSORIES

- ① Food probe
- ② Broil pan
- ③ Broil rack
- ④ Full-extension telescopic racks

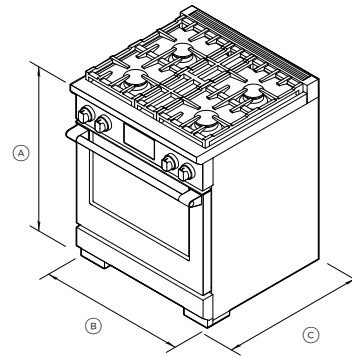


The models shown in this Planning Guide may not be available in all markets and are subject to change at any time. Product specifications may vary from those shown. This Planning Guide should not be used as installation guidance for any product. Further information is required to safely and correctly install the products featured here. Specific installation guidance will be available on our website fisherpaykel.com

SPECIFICATIONS

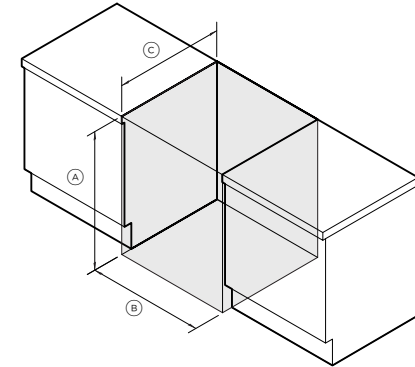
Model No.	RDV3-304-N, RDV3-304-L
Product Dimensions	H 35 3/4" - 36 3/4" (908-933mm) W 29 7/8" (759mm) D 29 1/8" (740mm)
Weight	410lb (185kg)
Total oven capacity	4.0cu ft (113L)
Door Clearance	19 1/8" (486mm)
Gas	
Types	Natural Gas 6" to 9" W.C.P. LP Propane 11" to 14" W.C.
Connection	1/2" NPT Minimum 5/8" dia. flex line
Electrical	
Supply	120/240 V, 60 Hz
Service	30 A
Connection	4-prong grounding type (NEMA 14-50 plug)

PRODUCT DIMENSIONS



	mm	Inch
A Overall height (from floor to cooktop, excl. pan supports and vent trim)	min 908 max 933	min 35 3/4 max 36 3/4
B Overall width	759	29 7/8
C Depth from front of range to rear (incl. vent trim, excl. dials and handle)	740	29 1/8

CAVITY DIMENSIONS: STANDARD INSTALLATION



	mm	Inch
A Overall height of cavity*		
• for level counter	908	35 3/4
• with range levelling legs fully extended	933	36 3/4
B Overall width of cavity	762	30
C Maximum depth of cavity		
• projecting control panel	644	25 3/8
• flush control panel	703	27 11/16

*Depending on height of range

The models shown in this Planning Guide may not be available in all markets and are subject to change at any time. Product specifications may vary from those shown. This Planning Guide should not be used as installation guidance for any product. Further information is required to safely and correctly install the products featured here. Specific installation guidance will be available on our website fisherpaykel.com

CONTENTS

30" Professional Range	PAGE	
	in	mm
RDV3-304		
Key Design Decisions	6	15
Ventilation Requirements	7	16
<hr/>		
30" Professional Range		
RDV3-304-N, RDV3-304-L		
Product & Cavity Dimensions	8	17
Clearance Dimensions	9	18
Cavity Preparation	10	19
<hr/>		
30" Professional Range Backguard		
BGRV2-1230	in	mm
Product Dimensions	11	20
<hr/>		
30" Professional Range Backguard		
BGRV2-3030		
Product Dimensions	12	21
<hr/>		
30" Professional Range Backguard		
BGRV3-3030H	in	mm
Product Dimensions	13	22

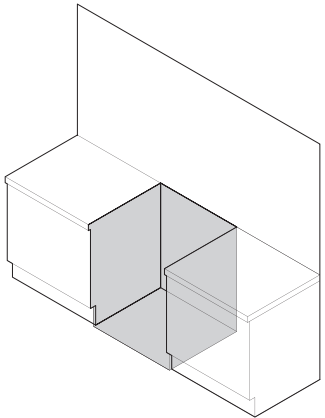
IMPERIAL

FISHER & PAYKEL

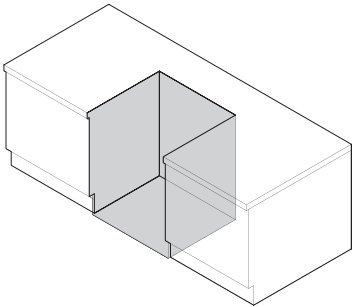
KEY DESIGN DECISIONS 30" Professional Range

1

INSTALL TYPE



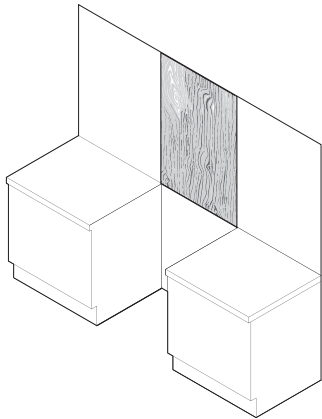
WALL



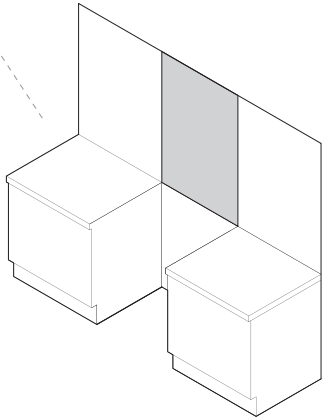
ISLAND

2

REAR SURFACE



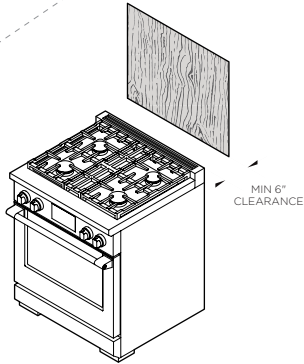
COMBUSTIBLE



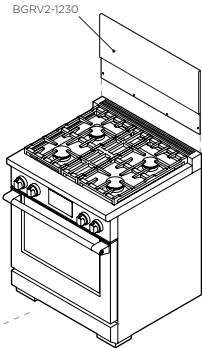
NON COMBUSTIBLE

3

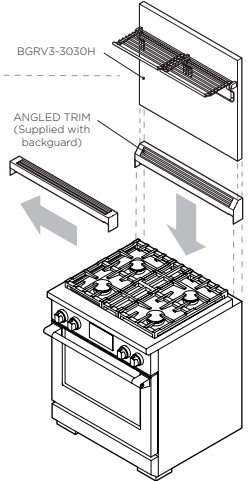
BACKGUARD OPTIONS



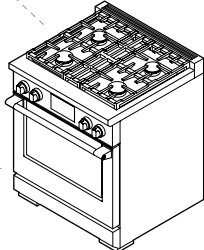
NO BACKGUARD



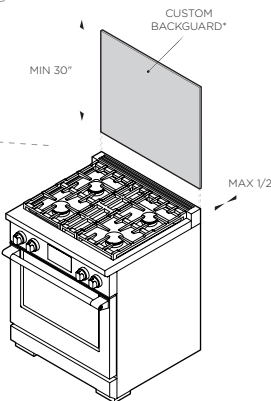
LOW THIN BACKGUARD



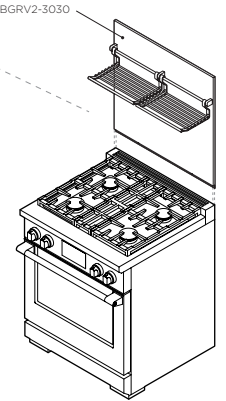
HIGH THICK BACKGUARD WITH ANGLED TRIM



NO BACKGUARD



CUSTOM FABRICATED* BACKGUARD
*Fabricated from non combustible materials only.



HIGH THIN BACKGUARD

Model no:
RDV3-304

DATE: **20.06.2024**

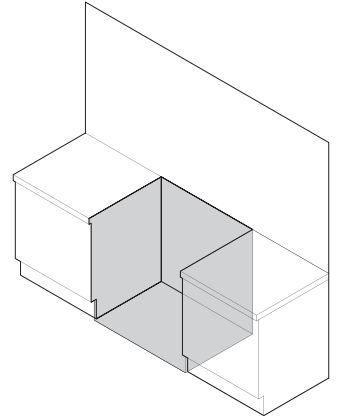
IMPORTANT: Throughout this guide, dimensions may vary by ±2mm (1/16"). Read the installation guide for detailed information on installing the product. For full installation instructions and specifications visit fisherpaykel.com

FISHER & PAYKEL

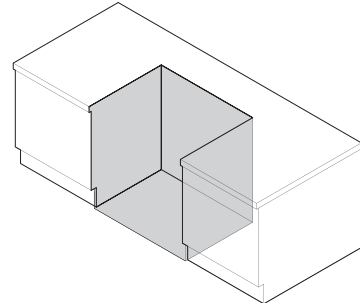
VENTILATION REQUIREMENTS 30" Professional Range

1

INSTALL TYPE



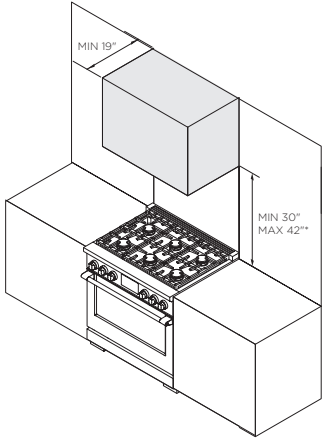
WALL



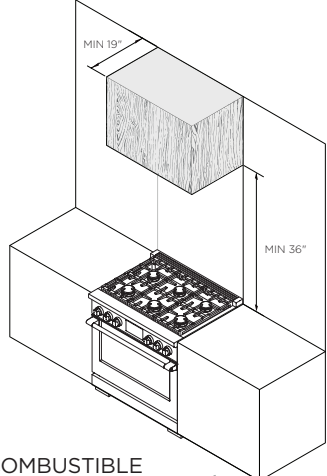
ISLAND

2

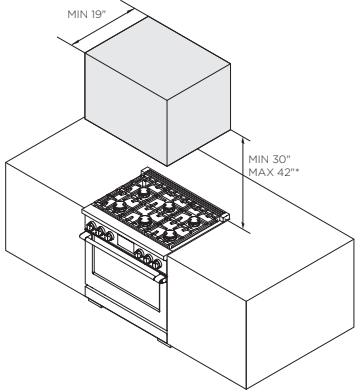
HOOD SURROUND MATERIAL



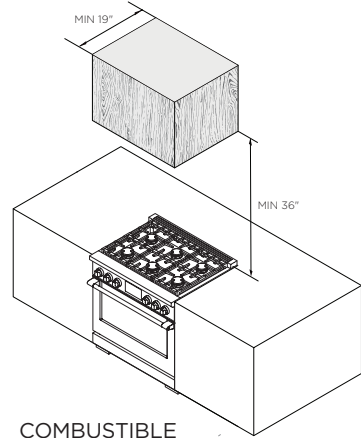
NON COMBUSTIBLE



COMBUSTIBLE



NON COMBUSTIBLE



COMBUSTIBLE

Model no:
RDV3-304

Specifications

Ventilation Unit	Wall Installation
Hood	Minimum 19" Deep x Unit Width
Blower	Minimum 550 CFM

Ventilation Unit

Ventilation Unit	Island Installation
Hood	Minimum 19" Deep x Unit Width
Blower	Minimum 550 CFM

Note: A suitable hood must be installed above the range. The above indicates the minimum blower capacity recommended for hood ventilation.

*Recommended maximum.

DATE: **20.06.2024**

IMPORTANT: Throughout this guide, dimensions may vary by ±2mm (1/16"). Read the installation guide for detailed information on installing the product. For full installation instructions and specifications visit fisherpaykel.com

FISHER & PAYKEL

PRODUCT & CAVITY DIMENSIONS 30" Professional Range - Dual Fuel

Model no:
RDV3-304

Product Dimensions	in
Ⓐ Height of range (from floor to cooktop, excluding grates and rear trim)	min 35 3/4" max 36 3/4"
Ⓑ Overall width of range	29 7/8"
Ⓒ Overall depth of range (excluding handle and dials)	29 1/8"
Ⓓ Depth from rear of chassis to cabinetry face - projecting	25 3/8"
Ⓔ Depth from rear of chassis to cabinetry face - flush	27 11/16"
Ⓕ Height from countertop to top of pan supports	1 9/16"
Ⓖ Height of rear trim	1 3/4"
Ⓗ Depth of rear trim	2 7/8"
Ⓘ Height from countertop to bottom of control panel	7 3/4"
Ⓚ Height from countertop to top of door	8 1/8"
Ⓛ Height from countertop to centre of handle	9 7/16"
Ⓜ Height from countertop to bottom of door	29"
Ⓝ Height from countertop to top of lower panel	29 15/16"
Ⓞ Height from countertop to bottom of lower panel	33 5/8"
Ⓟ Thickness of handle (not including standoffs)	1 1/4"
Ⓠ Width of handle (including standoffs)	29 1/8"
Ⓡ Depth of handle (measured from front of door)	2 7/8"
Ⓢ Depth of front of cooktop to control panel	1 7/16"
Ⓣ Height of cooktop front face	1 3/8"
Ⓤ Height from top of cooktop to control panel	2"
Ⓡ Depth of open door to cabinetry face - flush	19 1/8"
Ⓢ Adjustable feet height	min 1/2" max 1 1/2"

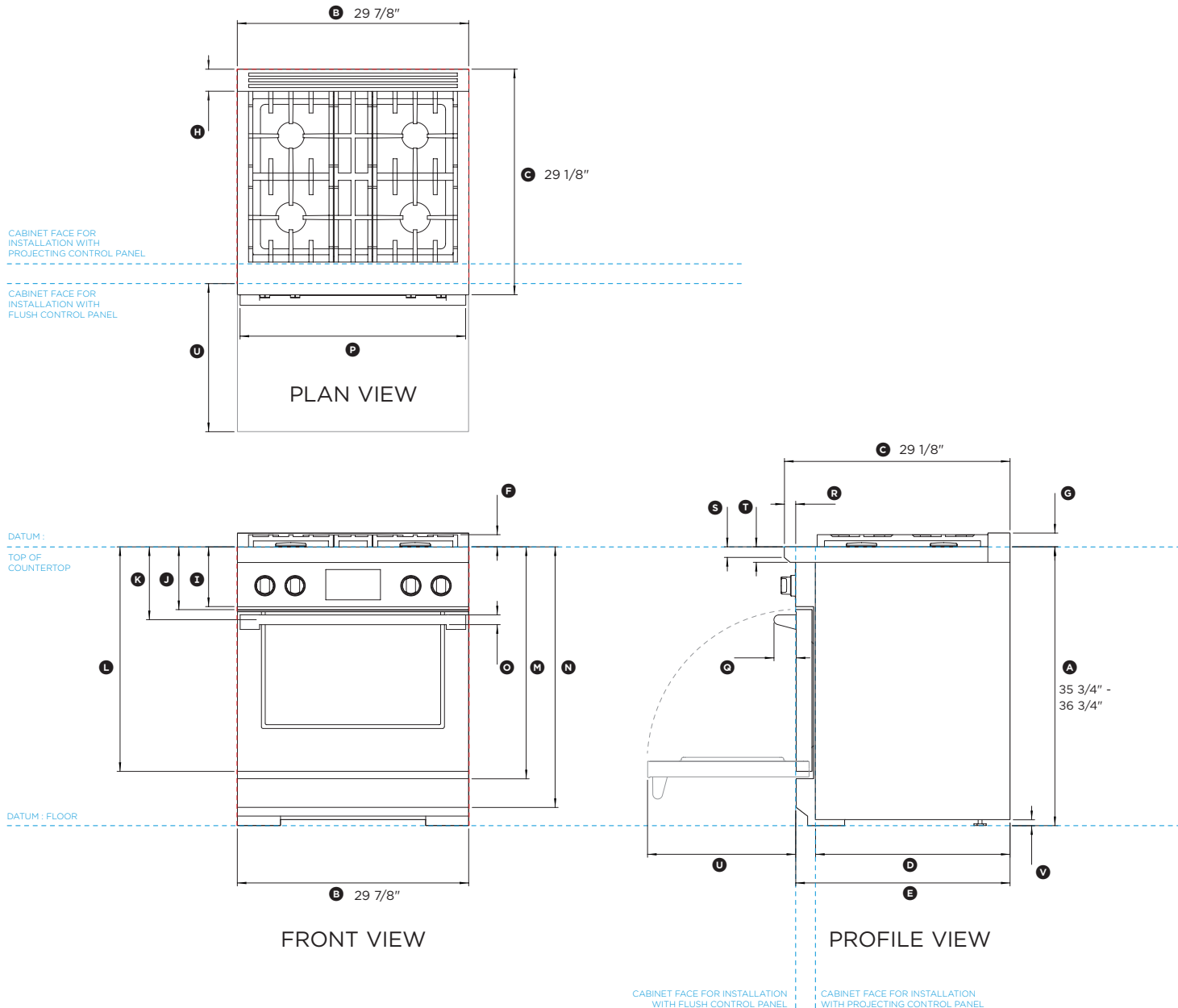
Cavity Dimensions	mm
Overall width of cavity	min 30"
Overall depth of cavity for projecting control panel	max 25 3/8"
Overall depth of cavity for flush control panel	max 27 11/16"
Overall height of cavity	35 3/4" 36 3/4"

IMPORTANT NOTE: For full installation and clearance details please refer to our installation manual.

INDICATES PRODUCT DATUM -----

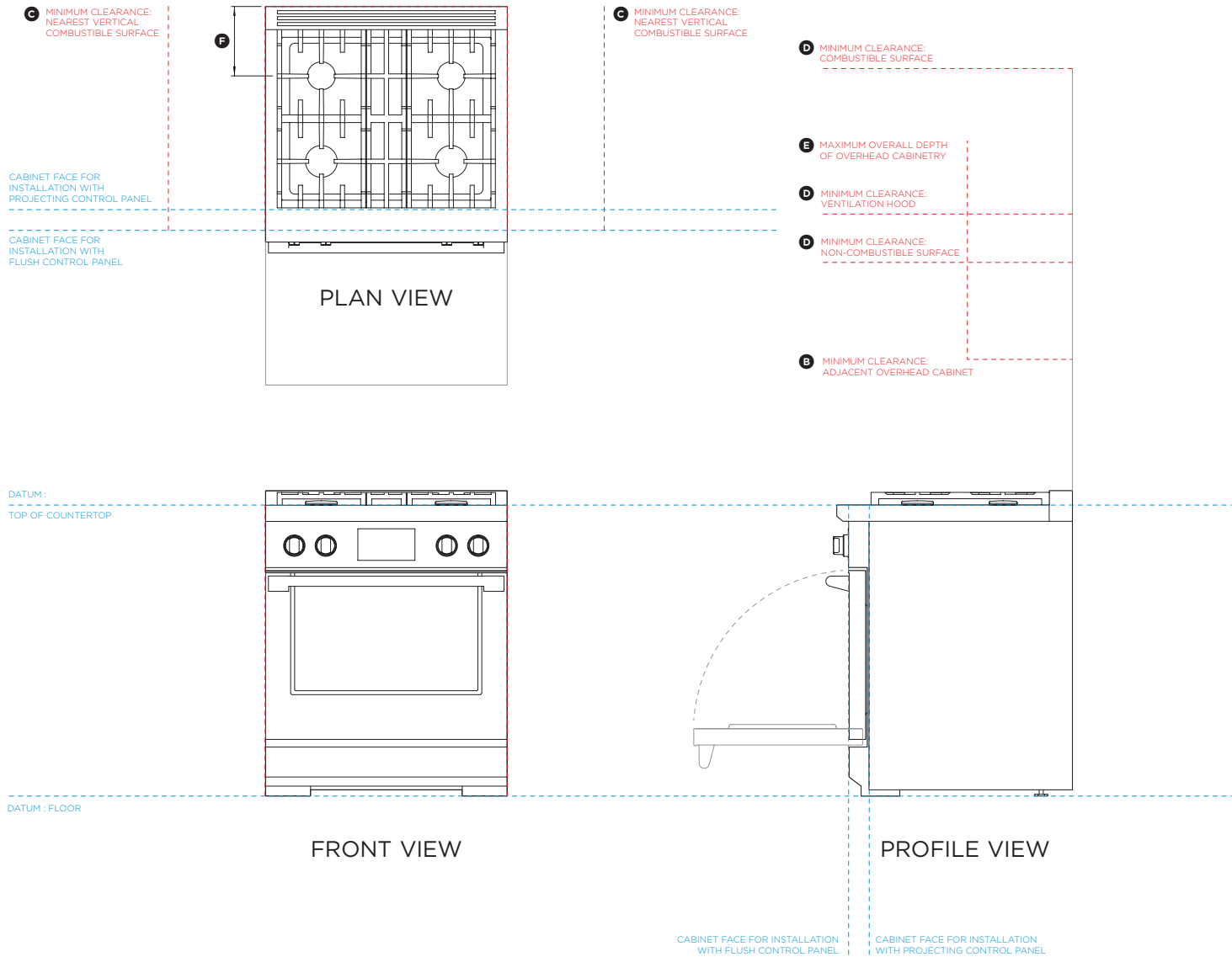
DATE: **20.06.2024**

IMPORTANT: Throughout this guide, dimensions may vary by ±2mm (1/16"). Read the installation guide for detailed information on installing the product. For full installation instructions and specifications visit fisherpaykel.com



FISHER & PAYKEL

CLEARANCE DIMENSIONS 30" Professional Range - Dual Fuel



Model no:
RDV3-304

Clearance Dimensions	in
Ⓐ Minimum width of ventilation hood installed above range - not shown*	30"
Ⓑ Minimum vertical distance between countertop and cabinet extending above counter	18"
Ⓒ Minimum clearance from left and right of range to nearest vertical combustible surface	12"
Ⓓ Minimum clearance from cooking surface to: - combustible surface centered above the cooking surface - combustible covering for ventilation hood centered above the cooking surface	54" 36"
- non-combustible surface** centered above the cooking surface	30"
Ⓔ Maximum overall depth of overhead cabinetry	13"
Ⓕ Distance from center of rear burner to rear of product	8 5/8"

*IMPORTANT NOTE: For full installation and clearance details please refer to our installation manual.

**Non-combustible surfaces: as defined in 'National Fuel Gas Code' (ANSI Z223.1, Current Edition). Clearances from non-combustible materials are not part of the ANSI Z21.1 scope and are not certified by UL. Clearances of less than 6" (152mm) must be approved by the local codes and/or by the local authority having jurisdiction.

INDICATES CABINETRY CLEARANCES -----

INDICATES PRODUCT DATUM -----

DATE: **20.06.2024**

IMPORTANT: Throughout this guide, dimensions may vary by ±2mm (1/16"). Read the installation guide for detailed information on installing the product. For full installation instructions and specifications visit fisherpaykel.com

FISHER & PAYKEL

CAVITY PREPARATION 30" Professional Range - Dual Fuel

Model no:
RDV3-304

Specifications

Oven Total Capacity 4 cu.ft

Electrical

Supply 120/240 V, 60 Hz

Service 30 A

Connection 4-prong grounding type (NEMA 14-50 plug)

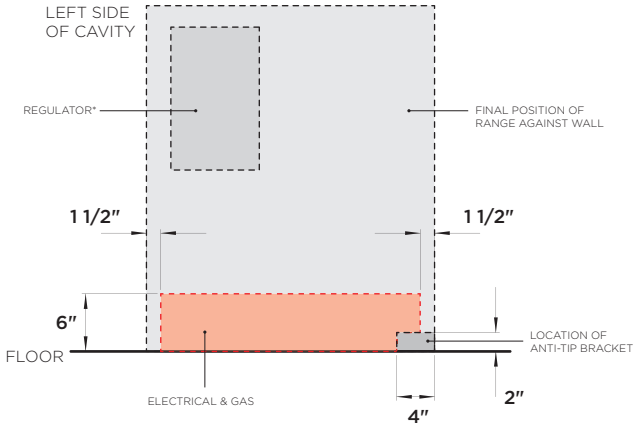
Gas

Types Natural Gas 6" to 9" W.C
LP Propane 11" to 14" W.C

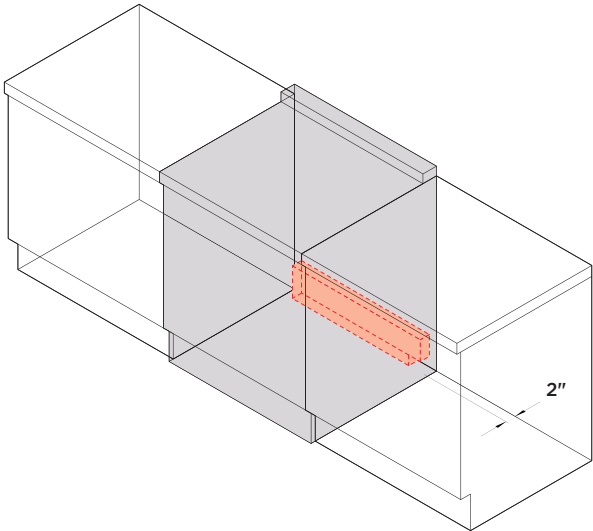
Connection 1/2" NPT Minimum 5/8" dia. flex line

*Regulator location may vary depending on model.

IMPORTANT NOTE: For full installation and connection details please refer to our installation manual.



REAR OF CAVITY

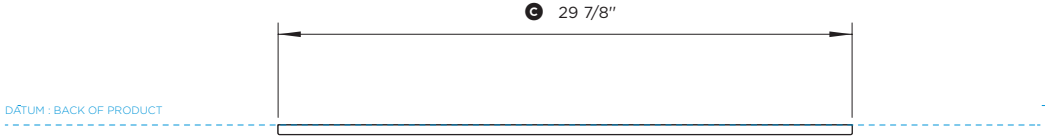
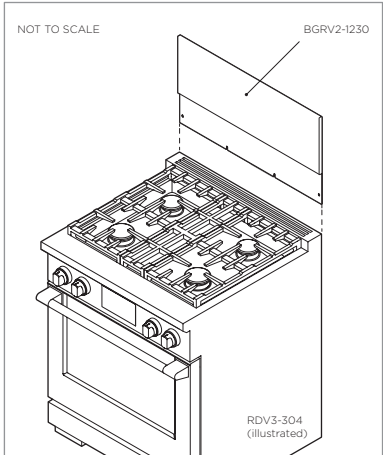


DATE: **20.06.2024**

IMPORTANT: Throughout this guide, dimensions may vary by ±2mm (1/16"). Read the installation guide for detailed information on installing the product. For full installation instructions and specifications visit fisherpaykel.com

FISHER & PAYKEL

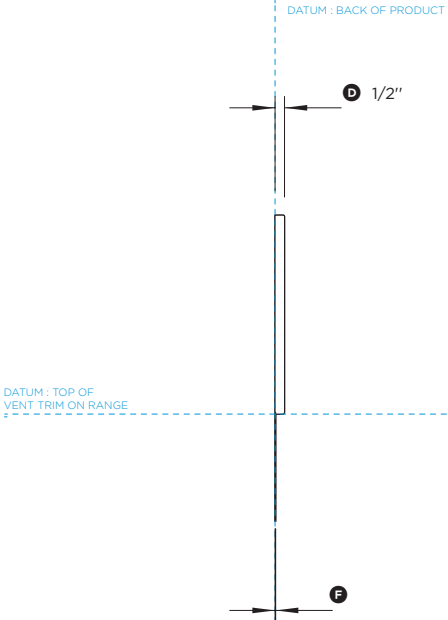
PRODUCT DIMENSIONS 30" Professional Range Backguard



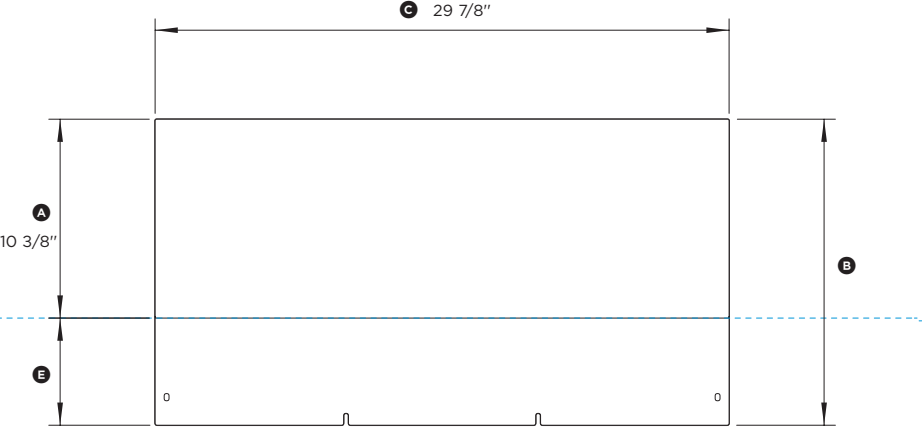
PLAN VIEW

Model no:
BGRV2-1230

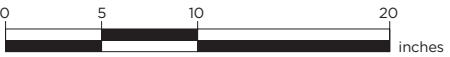
Product Dimensions	in
Ⓐ Height of backguard above vent trim on range	10 3/8"
Ⓑ Overall height of backguard	15 15/16"
Ⓒ Overall width of backguard	29 7/8"
Ⓓ Overall depth of backguard	1/2"
Ⓔ Height of backguard below vent trim on range	5 9/16"
Ⓕ Depth of backguard below vent trim on range	1/16"



PROFILE VIEW



FRONT VIEW



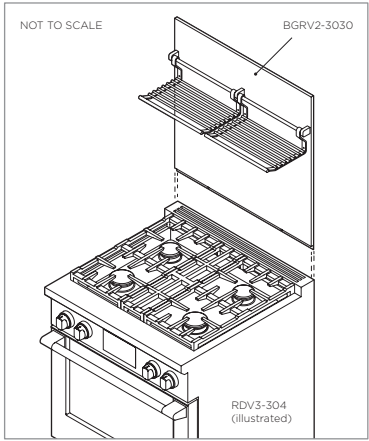
INDICATES PRODUCT DATUM -----

DATE: **20.06.2024**

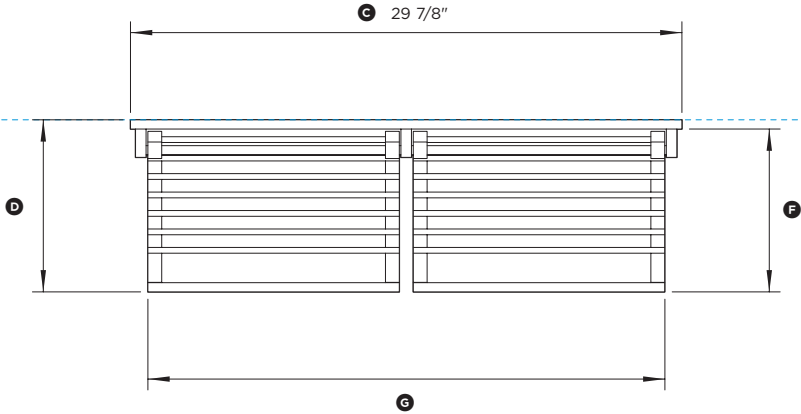
IMPORTANT: Throughout this guide, dimensions may vary by ±2mm (1/16"). Read the installation guide for detailed information on installing the product. For full installation instructions and specifications visit fisherpaykel.com

FISHER & PAYKEL

PRODUCT DIMENSIONS 30" Professional Range Backguard

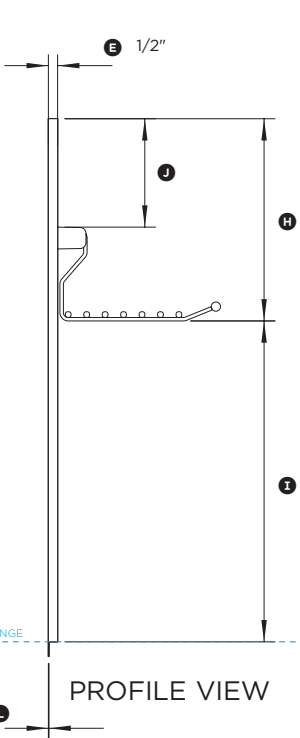


DATUM: BACK OF PRODUCT

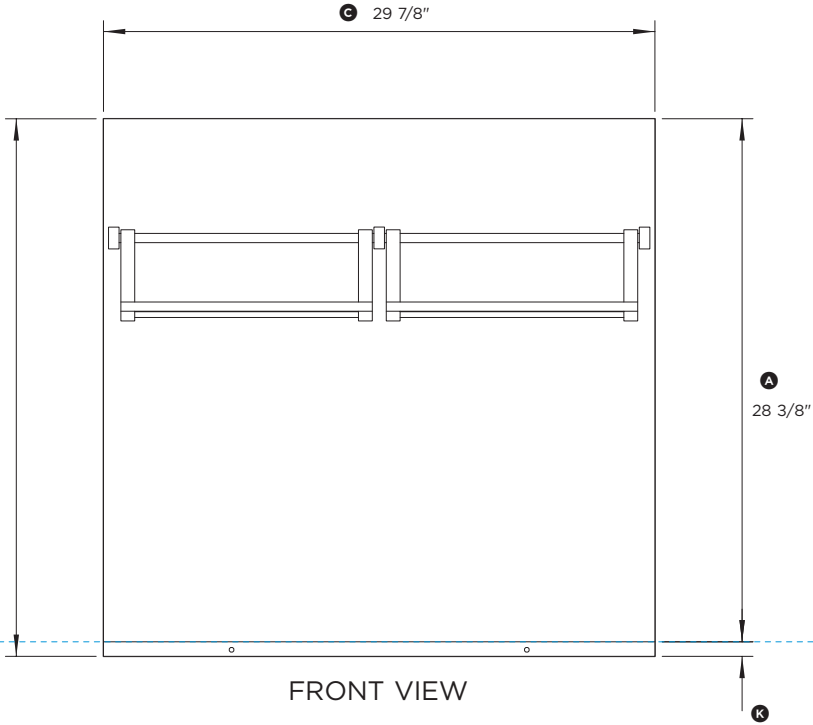


PLAN VIEW

DATUM: BACK OF PRODUCT



PROFILE VIEW



FRONT VIEW

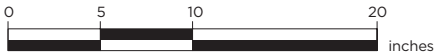
Model no:
BGRV2-3030

Product Dimensions	in
Ⓐ Height of backguard above vent trim on range	28 3/8"
Ⓑ Overall height of backguard	29 1/8"
Ⓒ Overall width of backguard	29 7/8"
Ⓓ Overall depth of backguard and racks	9 5/16"
Ⓔ Depth of backguard	1/2"
Ⓕ Depth of racks	8 13/16"
Ⓖ Width of racks	28"
Ⓗ Distance from top of backguard to bottom of racks	10 15/16"
Ⓘ Distance from bottom of backguard to bottom of racks	17 3/8"
Ⓚ Distance from top of backguard to top of brackets	5 7/8"
Ⓛ Height of backguard below vent trim on range	13/16"
Ⓚ Depth of backguard below vent trim on range	1/16"

INDICATES PRODUCT DATUM

DATE: **20.06.2024**

IMPORTANT: Throughout this guide, dimensions may vary by ±2mm (1/16"). Read the installation guide for detailed information on installing the product. For full installation instructions and specifications visit fisherpaykel.com



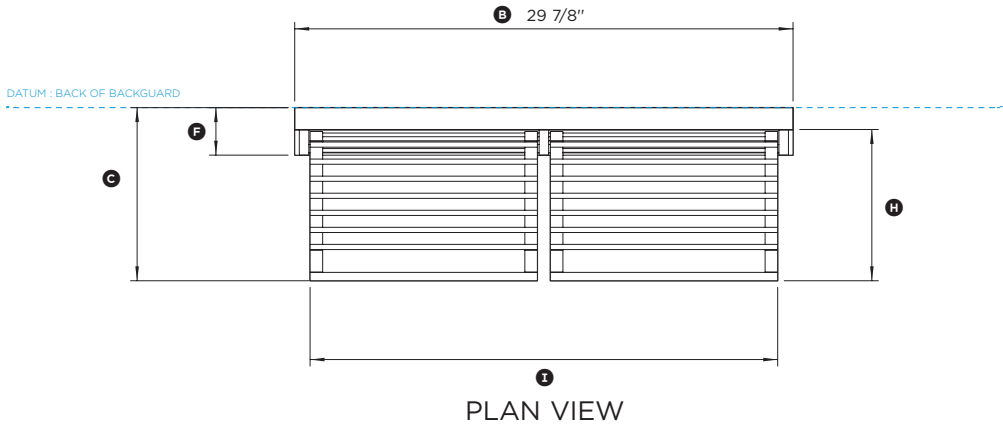
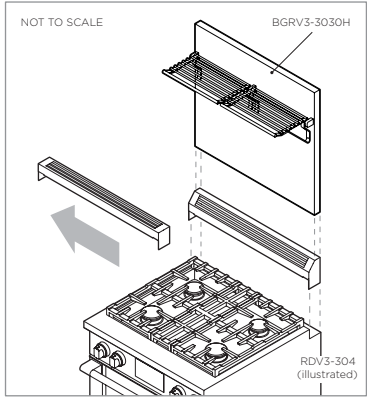
FISHER & PAYKEL

PRODUCT DIMENSIONS 30" Professional Range Backguard with Angled Vent Trim

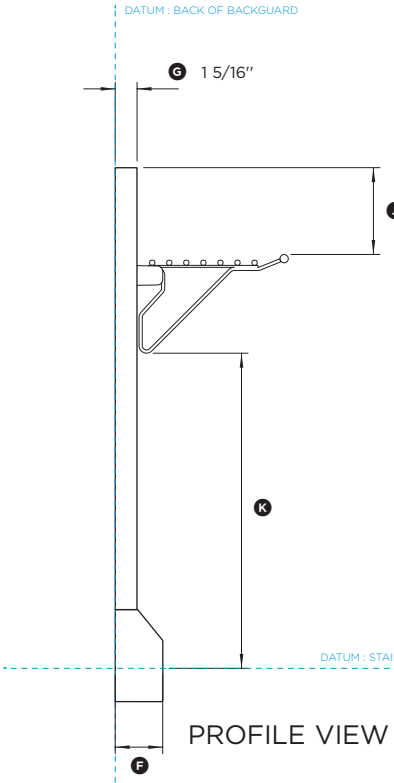
Model no:
BGRV3-3030H

Product Dimensions	in
Ⓐ Overall height of backguard with angled vent trim	30"
Ⓑ Overall width of backguard	29 7/8"
Ⓒ Overall depth of backguard and racks	10 3/8"
Ⓓ Height of backguard	26 1/2"
Ⓔ Height of angled vent trim	3 1/2"
Ⓕ Depth of angled vent trim	2 7/8"
Ⓖ Depth of backguard	1 5/16"
Ⓜ Depth of racks	9 1/16"
Ⓨ Width of racks	28"
Ⓦ Distance from top of backguard to top of racks	5 3/8"
Ⓛ Distance from bottom of angled vent trim to bottom of racks	18 7/8"

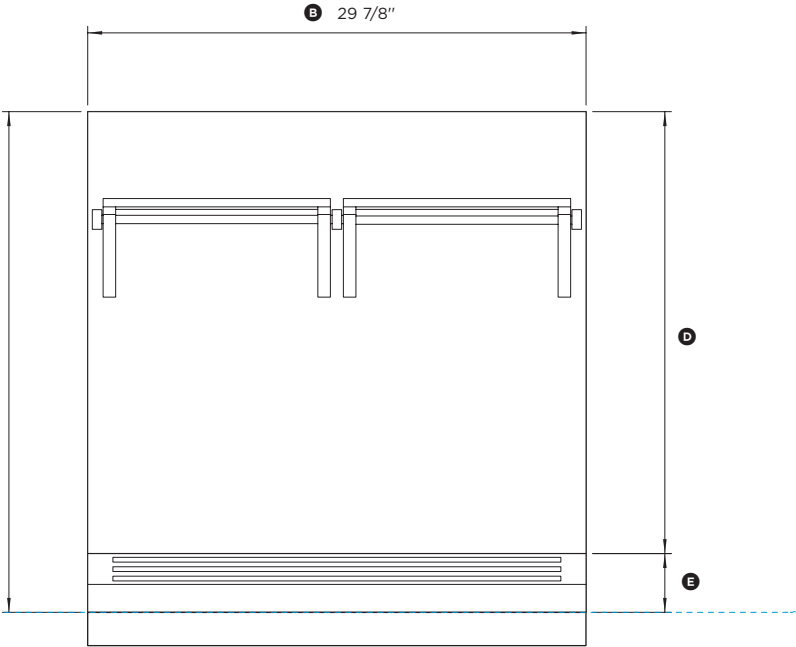
Note: Angled vent trim supplied with BGRV3-3030H.
Remove flat vent trim and replace with angled vent trim.



PLAN VIEW

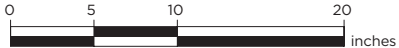


PROFILE VIEW



FRONT VIEW

INDICATES PRODUCT DATUM -----



DATE: **20.06.2024**

IMPORTANT: Throughout this guide, dimensions may vary by ±2mm (1/16").
Read the installation guide for detailed information on installing the product.
For full installation instructions and specifications visit fisherpaykel.com

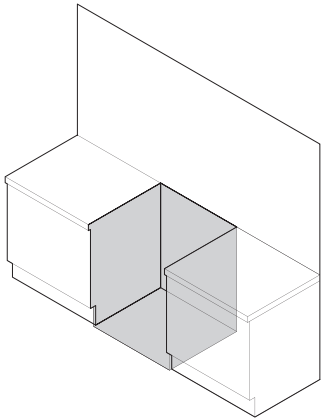
METRIC

FISHER & PAYKEL

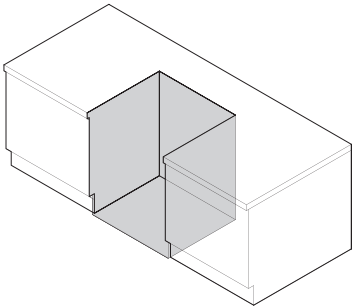
KEY DESIGN DECISIONS 30" Professional Range

1

INSTALL TYPE



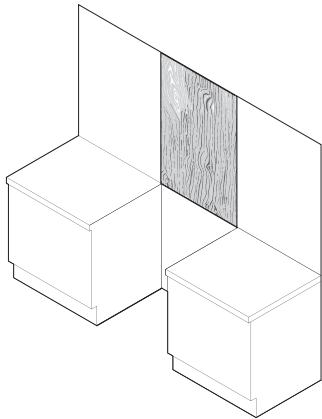
WALL



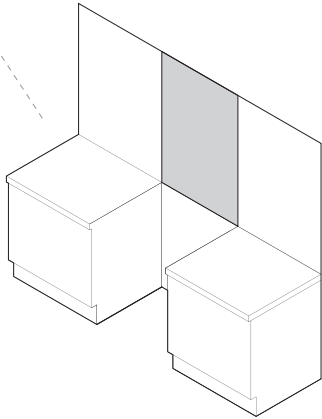
ISLAND

2

REAR SURFACE



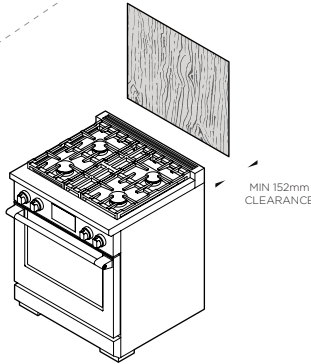
COMBUSTIBLE



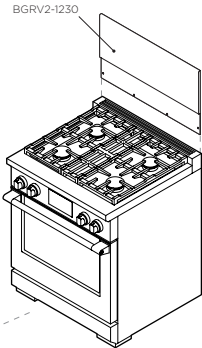
NON COMBUSTIBLE

3

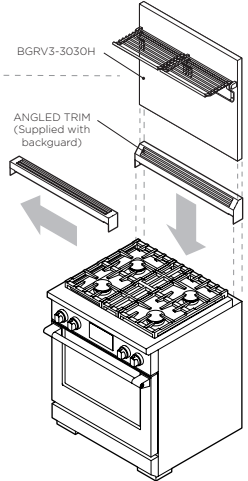
BACKGUARD OPTIONS



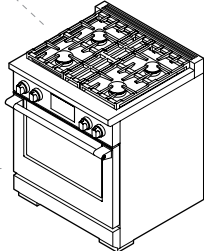
NO BACKGUARD



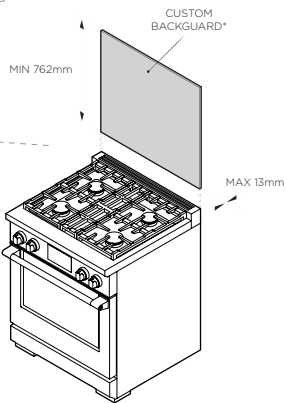
LOW THIN BACKGUARD



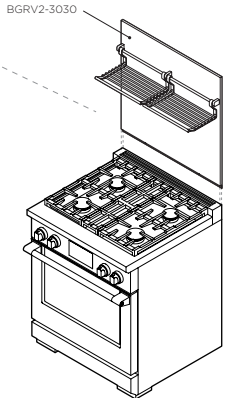
HIGH THICK BACKGUARD WITH ANGLED TRIM



NO BACKGUARD



CUSTOM FABRICATED* BACKGUARD
*Fabricated from non combustible materials only.



HIGH THIN BACKGUARD

Model no:
RDV3-304

DATE: **20.06.2024**

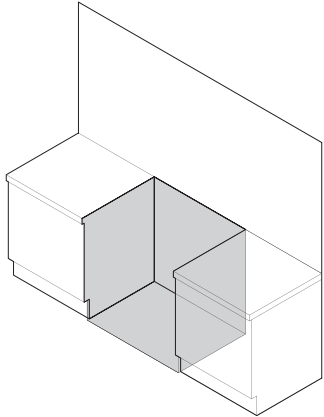
IMPORTANT: Throughout this guide, dimensions may vary by ±2mm (1/16"). Read the installation guide for detailed information on installing the product. For full installation instructions and specifications visit fisherpaykel.com

FISHER & PAYKEL

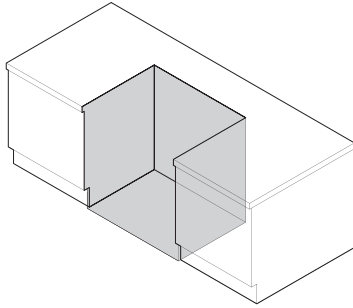
VENTILATION REQUIREMENTS 30" Professional Range

1

INSTALL TYPE



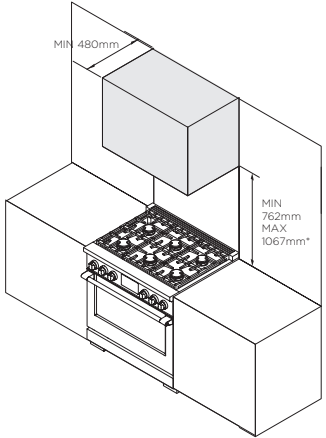
WALL



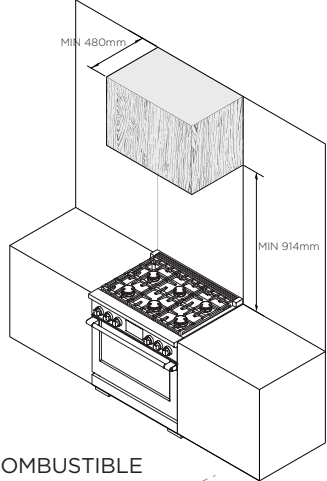
ISLAND

2

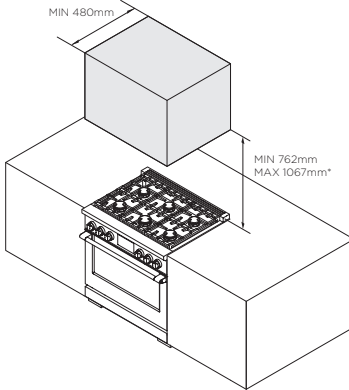
HOOD SURROUND MATERIAL



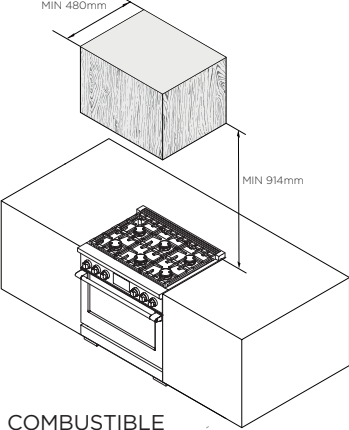
NON COMBUSTIBLE



COMBUSTIBLE



NON COMBUSTIBLE



COMBUSTIBLE

Model no:
RDV3-304

Specifications

Ventilation Unit	Wall Installation
Hood	Minimum 480mm Deep x Unit Width
Blower	Minimum 550 CFM

Ventilation Unit **Island Installation**

Hood	Minimum 480mm Deep x Unit Width
Blower	Minimum 550 CFM

Note: A suitable hood must be installed above the range. The above indicates the minimum blower capacity recommended for hood ventilation.

*Recommended maximum.

DATE: **20.06.2024**

IMPORTANT: Throughout this guide, dimensions may vary by ±2mm (1/16"). Read the installation guide for detailed information on installing the product. For full installation instructions and specifications visit fisherpaykel.com

FISHER & PAYKEL

PRODUCT & CAVITY DIMENSIONS 30" Professional Range - Dual Fuel

Model no:
RDV3-304

Product Dimensions	mm
Ⓐ Height of range (from floor to cooktop, excluding grates and rear trim)	min 908 max 933
Ⓑ Overall width of range	759
Ⓒ Overall depth of range (excluding handle and dials)	740
Ⓓ Depth from rear of chassis to cabinetry face - projecting	644
Ⓔ Depth from rear of chassis to cabinetry face - flush	703
Ⓕ Height from countertop to top of pan supports	40
Ⓖ Height of rear trim	45
Ⓗ Depth of rear trim	73
Ⓘ Height from countertop to bottom of control panel	196
Ⓚ Height from countertop to top of door	206
Ⓛ Height from countertop to centre of handle	239
Ⓜ Height from countertop to bottom of door	737
Ⓝ Height from countertop to top of lower panel	761
Ⓞ Height from countertop to bottom of lower panel	855
Ⓟ Thickness of handle (not including standoffs)	32
Ⓠ Width of handle (including standoffs)	740
Ⓡ Depth of handle (measured from front of door)	73
Ⓢ Depth of front of cooktop to control panel	37
Ⓣ Height of cooktop front face	35
Ⓤ Height from top of cooktop to control panel	51
Ⓡ Depth of open door to cabinetry face - flush	486
Ⓢ Adjustable feet height	min 13 max 38

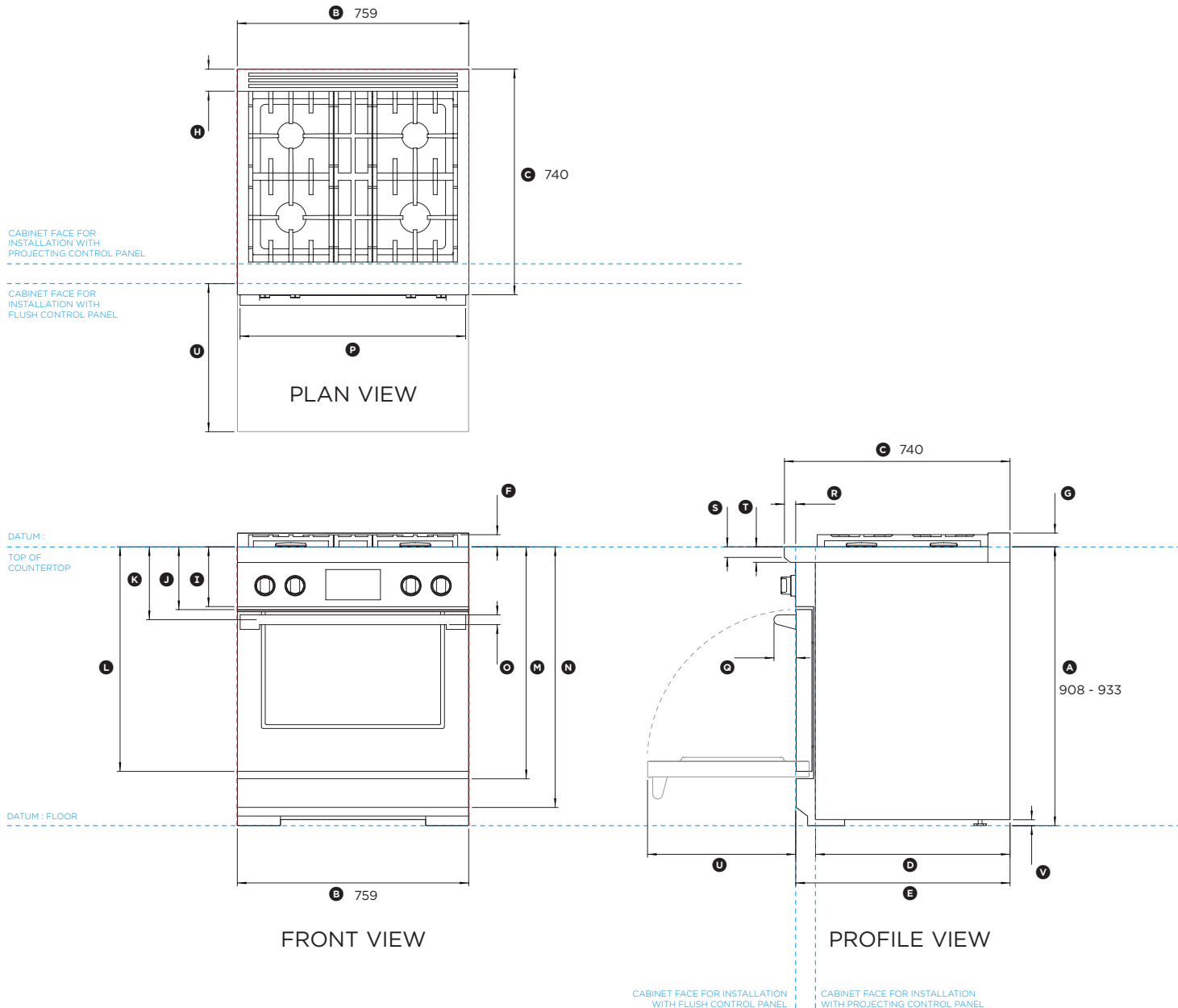
Cavity Dimensions	mm
Overall width of cavity	min 762
Overall depth of cavity for projecting control panel	max 644
Overall depth of cavity for flush control panel	max 703
Overall height of cavity	908 933

IMPORTANT NOTE: For full installation and clearance details please refer to our installation manual.

INDICATES PRODUCT DATUM -----

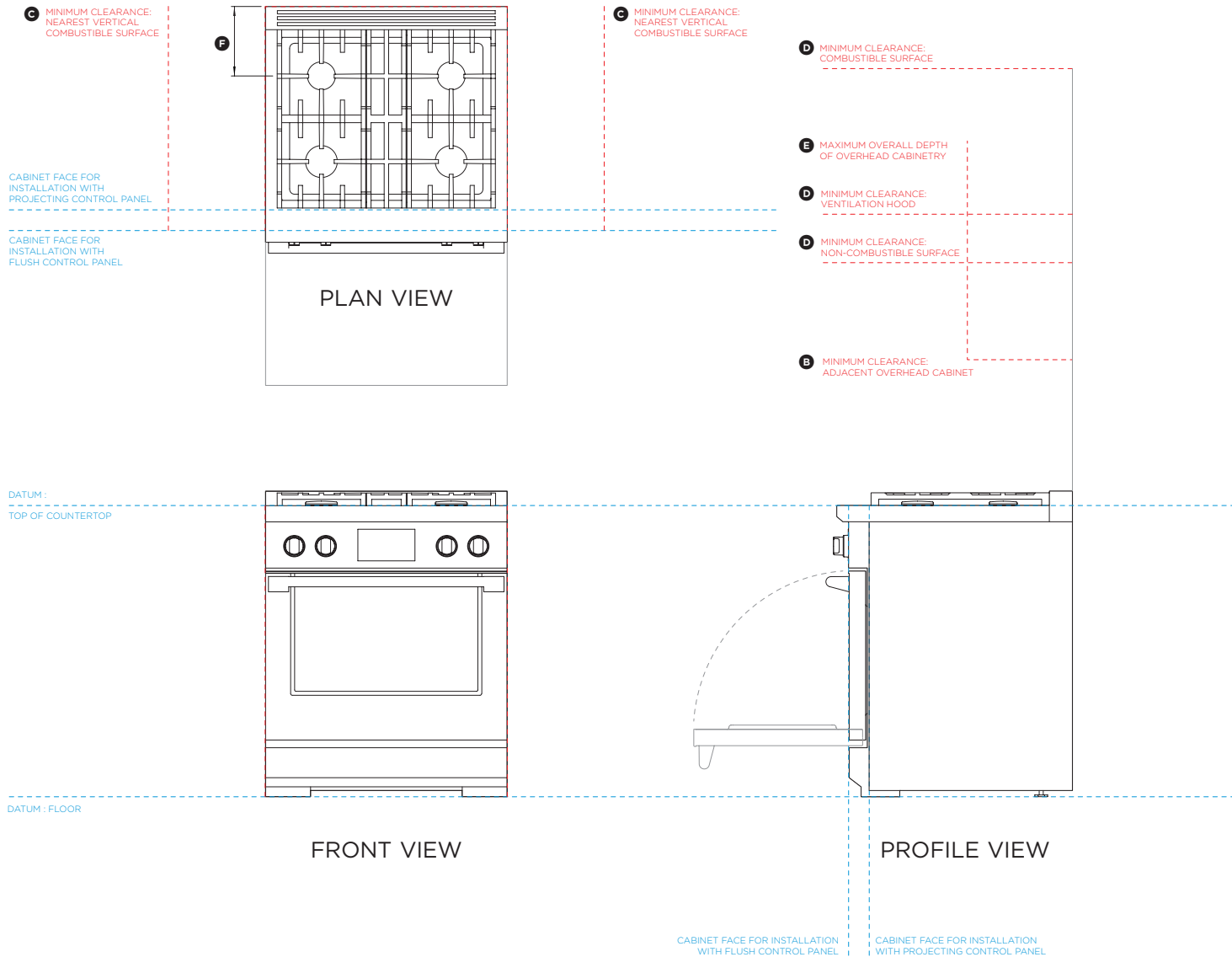
DATE: **20.06.2024**

IMPORTANT: Throughout this guide, dimensions may vary by ±2mm (1/16"). Read the installation guide for detailed information on installing the product. For full installation instructions and specifications visit fisherpaykel.com



FISHER & PAYKEL

CLEARANCE DIMENSIONS 30" Professional Range - Dual Fuel



Model no:
RDV3-304

Clearance Dimensions	mm
Ⓐ Minimum width of ventilation hood installed above range - not shown*	762
Ⓑ Minimum vertical distance between countertop and cabinet extending above counter	457
Ⓒ Minimum clearance from left and right of range to nearest vertical combustible surface	305
Ⓓ Minimum clearance from cooking surface to: - combustible surface centred above the cooking surface - combustible covering for ventilation hood centred above the cooking surface	1372 914
- non-combustible surface** centred above the cooking surface	762
Ⓔ Maximum overall depth of overhead cabinetry	330
Ⓕ Distance from centre of rear burner to rear of product	218

*IMPORTANT NOTE: For full installation and clearance details please refer to our installation manual.

**Non-combustible surfaces: as defined in 'National Fuel Gas Code' (ANSI Z223.1, Current Edition). Clearances from non-combustible materials are not part of the ANSI Z21.1 scope and are not certified by UL. Clearances of less than 6" (152mm) must be approved by the local codes and/or by the local authority having jurisdiction.

INDICATES CABINETRY CLEARANCES -----

INDICATES PRODUCT DATUM -----

DATE: **20.06.2024**

IMPORTANT: Throughout this guide, dimensions may vary by ±2mm (1/16"). Read the installation guide for detailed information on installing the product. For full installation instructions and specifications visit fisherpaykel.com

0 100 200 400 millimetres

FISHER & PAYKEL

CAVITY PREPARATION 30" Professional Range - Dual Fuel

Model no:
RDV3-304

Specifications

Oven Total Capacity 113L

Electrical

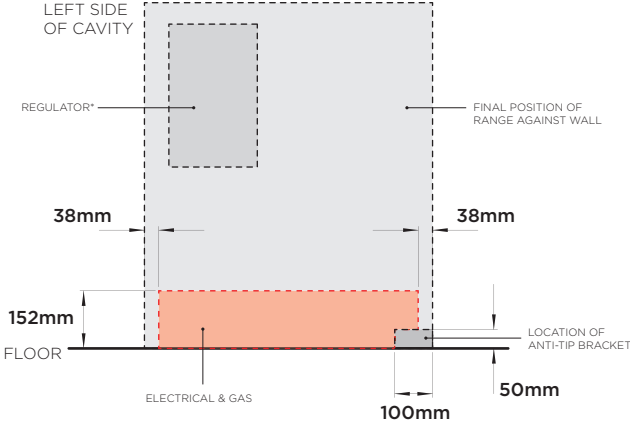
Supply 120/240 V, 60 Hz
Service 30 A
Connection 4-prong grounding type (NEMA 14-50P plug)

Gas

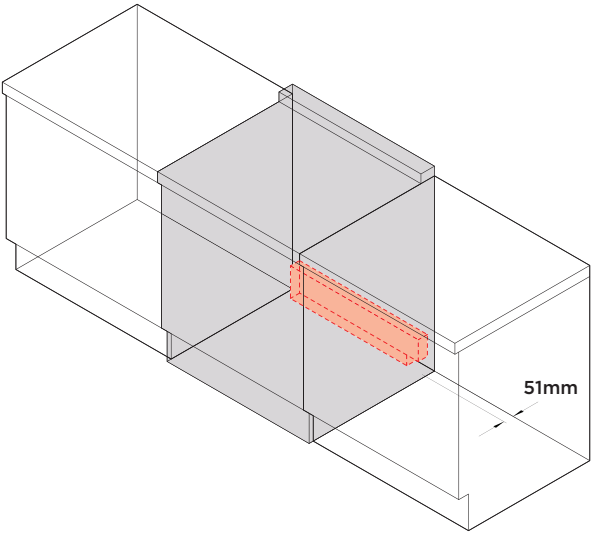
Types Natural Gas 6" to 9" W.C
LP Propane 11" to 14" W.C
Connection 1/2" NPT Minimum 5/8" dia. flex line

*Regulator location may vary depending on model.

IMPORTANT NOTE: For full installation and connection details please refer to our installation manual.



REAR OF CAVITY

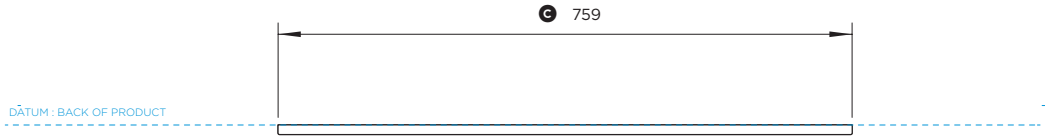
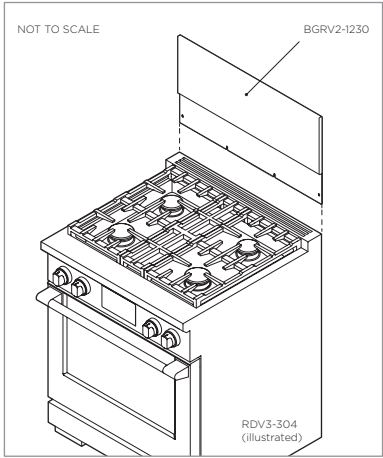


DATE: **20.06.2024**

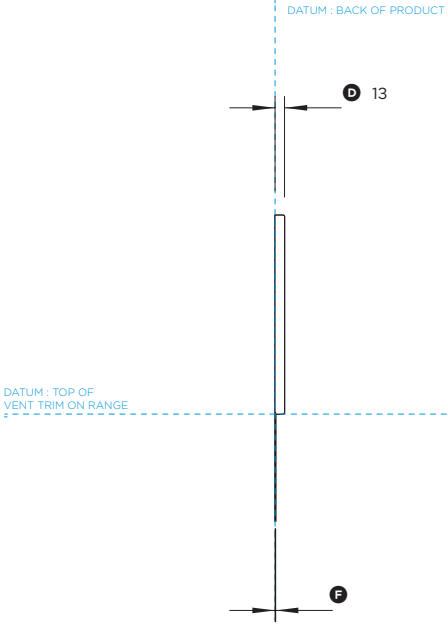
IMPORTANT: Throughout this guide, dimensions may vary by ±2mm (1/16"). Read the installation guide for detailed information on installing the product. For full installation instructions and specifications visit fisherpaykel.com

FISHER & PAYKEL

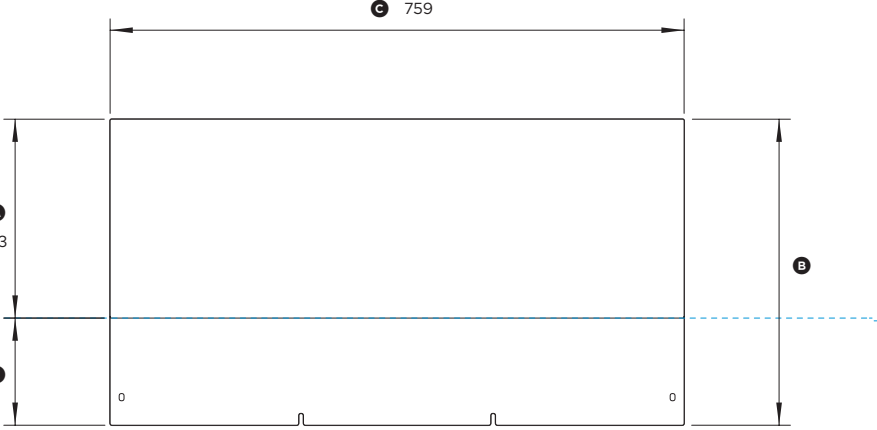
PRODUCT DIMENSIONS 30" Professional Range Backguard



PLAN VIEW



PROFILE VIEW



FRONT VIEW

Product Dimensions	mm
Ⓐ Height of backguard above vent trim on range	263
Ⓑ Overall height of backguard	405
Ⓒ Overall width of backguard	759
Ⓓ Overall depth of backguard	13
Ⓔ Height of backguard below vent trim on range	142
Ⓕ Depth of backguard below vent trim on range	1

INDICATES PRODUCT DATUM -----

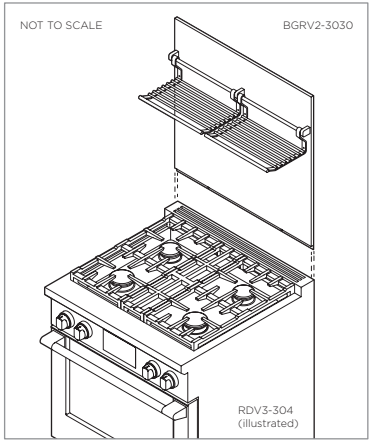


DATE: **20.06.2024**

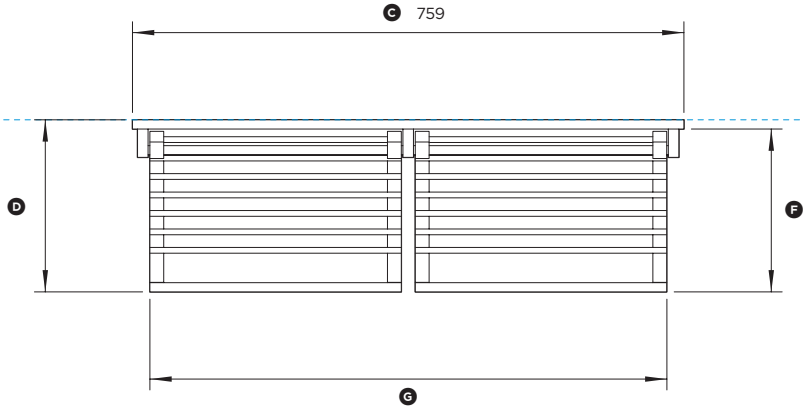
IMPORTANT: Throughout this guide, dimensions may vary by ±2mm (1/16"). Read the installation guide for detailed information on installing the product. For full installation instructions and specifications visit fisherpaykel.com

FISHER & PAYKEL

PRODUCT DIMENSIONS 30" Professional Range Backguard

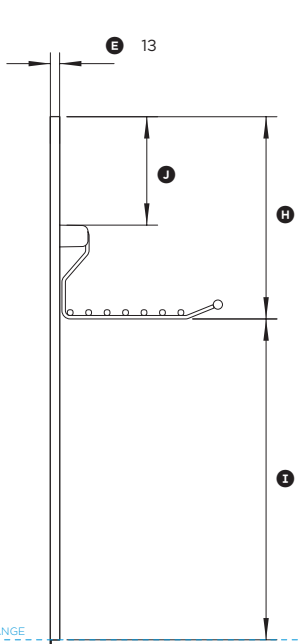


DATUM: BACK OF PRODUCT

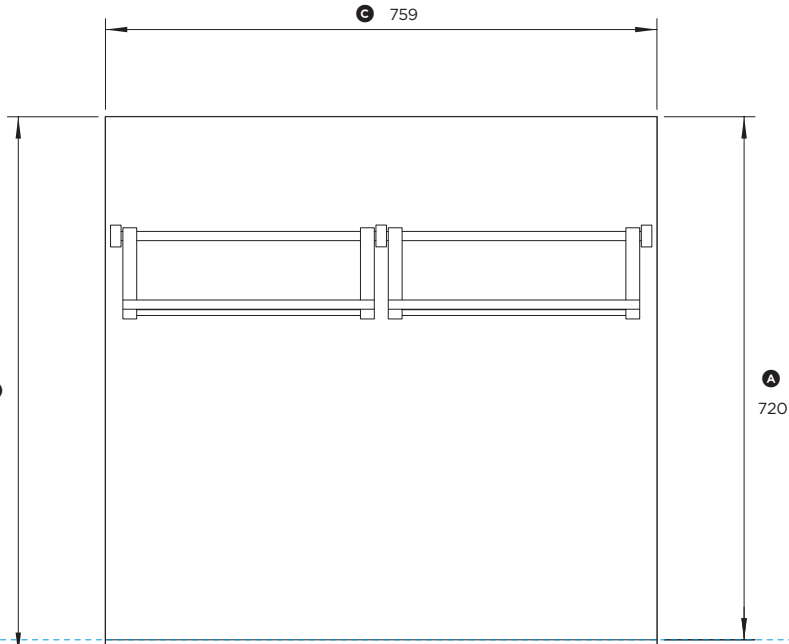


PLAN VIEW

DATUM: BACK OF PRODUCT



PROFILE VIEW



FRONT VIEW

DATUM: TOP OF VENT TRIM ON RANGE



Model no:
BGRV2-3030

Product Dimensions	mm
Ⓐ Height of backguard above vent trim on range	720
Ⓑ Overall height of backguard	740
Ⓒ Overall width of backguard	759
Ⓓ Overall depth of backguard and racks	237
Ⓔ Depth of backguard	13
Ⓕ Depth of racks	224
Ⓖ Width of racks	711
Ⓜ Distance from top of backguard to bottom of racks	278
Ⓨ Distance from bottom of backguard to bottom of racks	442
Ⓩ Distance from top of backguard to top of brackets	149
Ⓧ Height of backguard below vent trim on range	20
Ⓛ Depth of backguard below vent trim on range	1

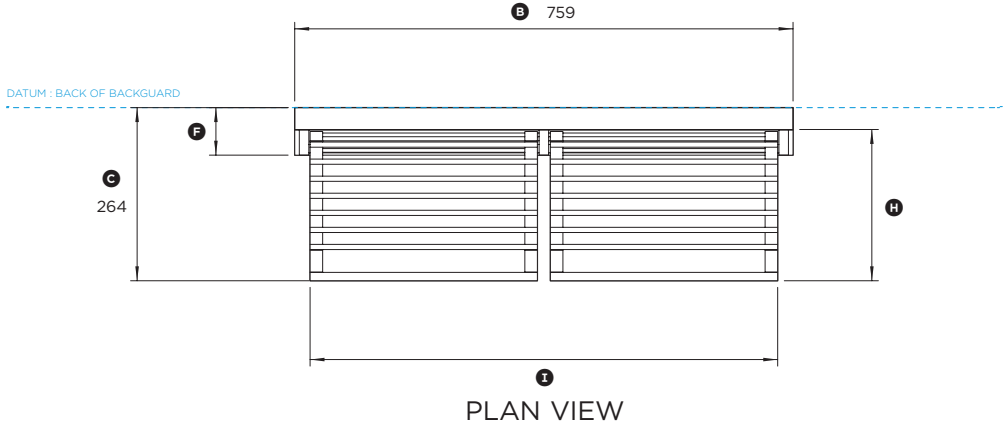
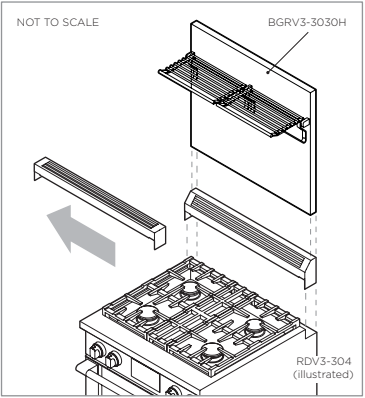
INDICATES PRODUCT DATUM

DATE: **20.06.2024**

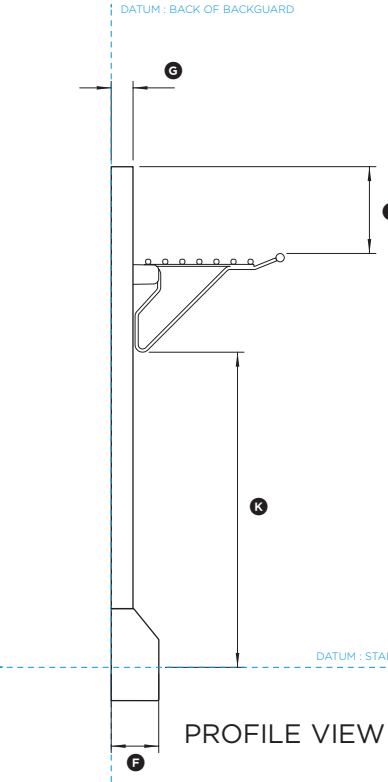
IMPORTANT: Throughout this guide, dimensions may vary by ±2mm (1/16"). Read the installation guide for detailed information on installing the product. For full installation instructions and specifications visit fisherpaykel.com

FISHER & PAYKEL

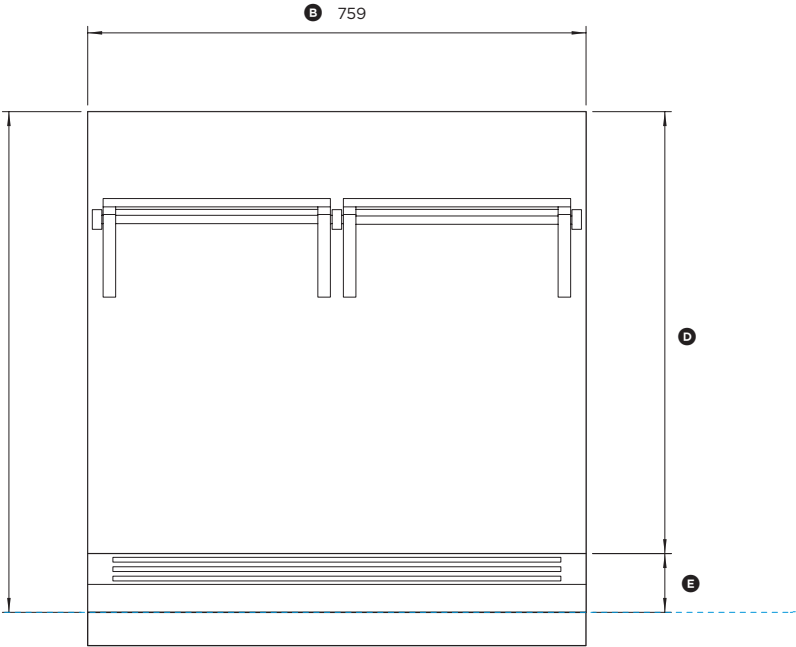
PRODUCT DIMENSIONS 30" Professional Range Backguard with Angled Vent Trim



PLAN VIEW



PROFILE VIEW



FRONT VIEW



Model no:
BGRV3-3030H

Product Dimensions	mm
Ⓐ Overall height of backguard with angled vent trim	763
Ⓑ Overall width of backguard	759
Ⓒ Overall depth of backguard and racks	264
Ⓓ Height of backguard	673
Ⓔ Height of angled vent trim	90
Ⓣ Depth of angled vent trim	72
Ⓤ Depth of backguard	33
Ⓦ Depth of racks	230
Ⓧ Width of racks	712
Ⓨ Distance from top of backguard to top of racks	136
Ⓩ Distance from bottom of angled vent trim to bottom of racks	480

Note: Angled vent trim supplied with BGRV3-3030H.
Remove flat vent trim and replace with angled vent trim.

INDICATES PRODUCT DATUM -----

DATE: **20.06.2024**

IMPORTANT: Throughout this guide, dimensions may vary by ±2mm (1/16").
Read the installation guide for detailed information on installing the product.
For full installation instructions and specifications visit fisherpaykel.com

IMPORTANT: The product dimensions and specifications apply at the date of issue. Under our policy of continuous product improvement, these dimensions and specifications may change at any time. Dimensions may vary by $\pm 2\text{mm}$ (1/16"). Please read the installation guide for detailed information on installing the product or visit fisherpaykel.com.

June 2024