

**INTEGRATED REFRIGERATION, 1.88M HIGH**

---

# PLANNING GUIDE

---

**60cm Series 9 Integrated Refrigerator Freezer, Ice & Water | RS6019BRU1**

**60cm Series 9 Integrated Dual Zone Refrigerator | RS6019S2R1**

**60cm Series 9 Integrated Dual Zone Freezer | RS6019F2L1**

**60cm Series 9 Integrated Triple Zone Refrigerator | RS6019S3RH1**

**60cm Series 9 Integrated Triple Zone Freezer, Ice | RS6019F3LJ1**

**FISHER & PAYKEL**

This comprehensive Planning Guide provides you with the framework and tools to achieve your desired design outcome with Fisher & Paykel appliances. In this guide, you will find a range of conceptual, detailed and dimensional product information to bring your ideas to life and create spaces that truly reflect your vision.

CONCEPT DESIGN		DEVELOPED AND DETAILED DESIGN			
	PAGE		PAGE	PAGE	
<b>Design Choices</b>		<b>Data Sheets</b>		<b>Services</b>	
Purchase Decision	<b>5</b>	Integrated Refrigerator Freezer	<b>12</b>	Service Area and Electrical	<b>29</b>
Accessories	<b>6</b>	Integrated Refrigerator Freezer, Custom Panel	<b>13</b>	Hose and Cord Length	<b>30</b>
		Integrated Refrigerator and Freezer	<b>14</b>		
<b>Specification Guides</b>		Integrated Refrigerator and Freezer, Custom Panel	<b>15</b>	<b>Handle Data Sheets</b>	
Integrated Refrigeration	<b>8</b>			Square Fine Handle Kit	<b>32</b>
		<b>Custom Panels</b>		Round Handle Kit	<b>33</b>
		Integrated Refrigerator Freezer	<b>17</b>	Classic Handle Kit	<b>34</b>
		Integrated Refrigerator and Freezer	<b>18</b>	Professional Handle Kit	<b>35</b>
				Square Fine Handle	<b>36</b>
		<b>Planning Considerations</b>		Round Handle	<b>37</b>
		Product Dimensions	<b>20</b>	Classic Handle	<b>38</b>
		Panel and Toe Kick Dimensions	<b>21</b>	Professional Handle	<b>39</b>
		Dual and Triple	<b>22</b>		
		Gap Clearances	<b>23</b>		
		Toe Kick Detail	<b>24</b>		
		Hinge Articulation	<b>25</b>		
		Door Opening Clearance	<b>26</b>		

**SUPPORT**

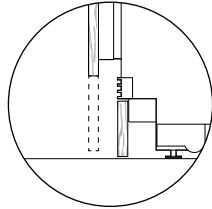
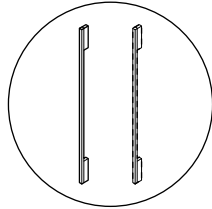
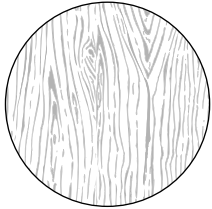
For additional design planning and installation support please contact the Fisher & Paykel design support team.

[designsupport@fisherpaykel.com](mailto:designsupport@fisherpaykel.com)

The models shown in this Planning Guide may not be available in all markets and are subject to change at any time. Product specifications may vary from those shown. This Planning Guide should not be used as installation guidance for any product. Further information is required to safely and correctly install the products featured here. Specific installation guidance will be available on our website [fisherpaykel.com](http://fisherpaykel.com)

## DESIGN CHOICES

**CUSTOM PANEL OPTIONS**



**PANEL**

Custom door panels can be adjusted in height to achieve the desired visual toe kick, and their width can also be modified to achieve smaller gap clearances.

**HANDLES AND ACCESSORIES HANDLES**

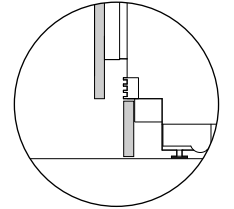
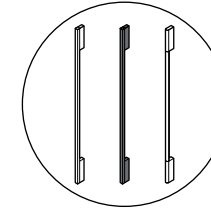
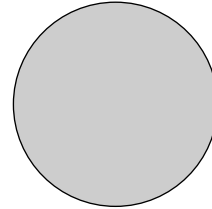
Select Fisher & Paykel handles or customize handles to match your kitchen style.

**ASSISTED OPENING ACCESSORY:** Pull or push-to-open functionality, .

**TOE KICK**

The distance from the bottom of the door panel to the floor (visual toe kick) can range from 15mm to 150mm.

**STAINLESS STEEL PANEL OPTIONS**



**PANEL**

Set Stainless steel door panel sizes.

**ACCESSORIES HANDLES**

Select Fisher & Paykel handles.

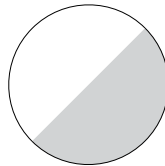
**TOE KICK**

The stainless steel toe kick panel stands at 100mm high and is available in different lengths for single, dual, and triple installations.

**ALL MODELS**

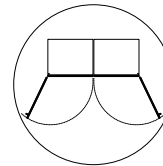
**INTERIOR**

White and stainless steel



**HINGING**

Left or right\*



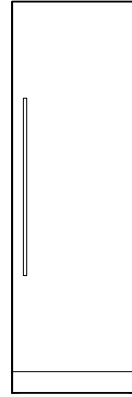
\*All models come with hinge conversion kit

The models shown in this Planning Guide may not be available in all markets and are subject to change at any time. Product specifications may vary from those shown. This Planning Guide should not be used as installation guidance for any product. Further information is required to safely and correctly install the products featured here. Specific installation guidance will be available on our website [fisherpaykel.com](http://fisherpaykel.com)

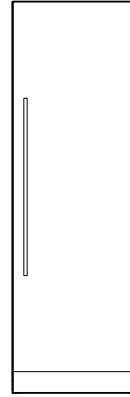




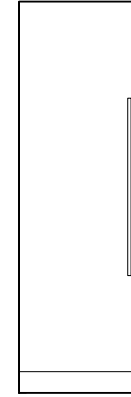
①



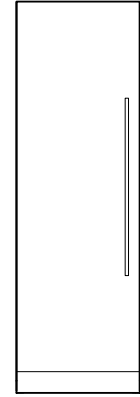
②



③



④



⑤

**INTEGRATED REFRIGERATOR FREEZER,  
ICE & WATER**

**INTEGRATED DUAL ZONE REFRIGERATOR**

**INTEGRATED TRIPLE ZONE REFRIGERATOR**

**INTEGRATED DUAL ZONE FREEZER**

**INTEGRATED TRIPLE ZONE FREEZER,  
ICE**

Product	Hinge	Model	Product	Hinge	Model	Product	Hinge	Model	Product	Hinge	Model	Product	Hinge	Model
① 60cm Series 9 Integrated Refrigerator Freezer	Right*	RS6019BRU1	② 60cm Series 9 Integrated Dual Zone Refrigerator	Right*	RS6019S2R1	③ 60cm Series 9 Integrated Triple Zone Refrigerator	Right*	RS6019S3RH1	④ 60cm Series 9 Integrated Dual Zone Freezer	Left*	RS6019F2L1	⑤ 60cm Series 9 Integrated Triple Zone Freezer	Left*	RS6019F3LJ1

A slim profile, perfect for compact kitchens, or pair with other Integrated models for generous chilled and frozen storage

Pair with the Integrated Dual Zone Freezer for the ultimate kitchen solution - this model features two independent food zones taking cooling flexibility to a new level.

Pair with the Integrated Triple Zone Freezer for the ultimate kitchen solution - this model features three independent food zones taking cooling flexibility to a new level.

Pair with the Integrated Dual Zone Refrigerator for the ultimate kitchen solution - this model features two independent food zones taking cooling flexibility to a new level.

Pair with the Integrated Triple Zone Refrigerator for the ultimate kitchen solution - this model features three independent food zones taking cooling flexibility to a new level.

\*Comes with hinge conversion kit.

The models shown in this Planning Guide may not be available in all markets and are subject to change at any time. Product specifications may vary from those shown. This Planning Guide should not be used as installation guidance for any product. Further information is required to safely and correctly install the products featured here. Specific installation guidance will be available on our website [fisherpaykel.com](http://fisherpaykel.com)

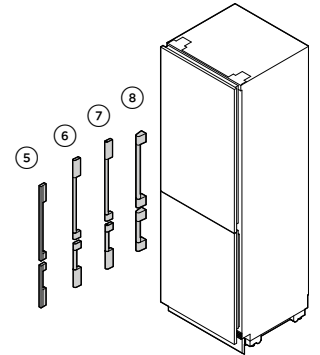
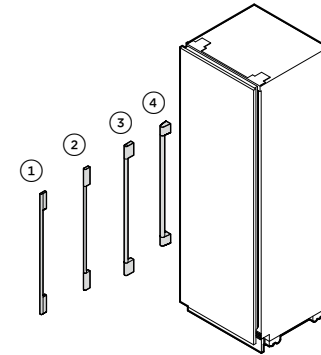
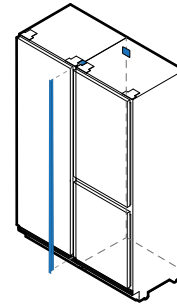
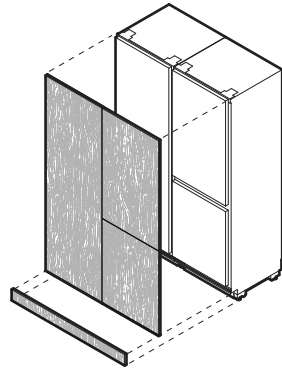
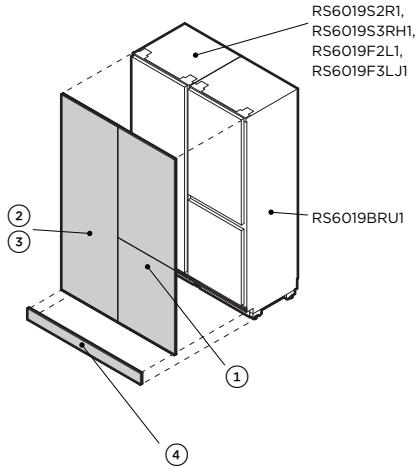
**STAINLESS STEEL PANEL AND TOE KICK**

**CUSTOM PANEL AND TOE KICK**

**JOINER KIT  
(FOR MULTIPLE PRODUCT  
INSTALLATION)**

**SINGLE DOOR HANDLES**

**DOUBLE DOOR HANDLE KITS**



**CUSTOM DOOR PANELS**

Custom door panels and toe kick to be manufactured and fitted by cabinet maker.

**JOINER KIT**

Each kit comes with four brackets and one trim.

**SINGLE DOOR**

One handle supplied in handle kit.

**DOUBLE DOOR**

Two handles supplied in handle kit.

**PANELS**

STAINLESS STEEL	LEFT HINGE	RIGHT HINGE
① Refrigerator Freezer Stainless Steel Panels*	RD6019BL	RD6019BR
② Refrigerator Stainless Steel Panel**	RD6019	RD6019
③ Freezer Stainless Steel Panel**	RD6019	RD6019

**TOE KICK**

STAINLESS STEEL	
④ Single toe kick	AKRS06010
④ Dual toe kick	AKRS12010
④ Triple toe kick	AKRS18010

**JOINER KIT**

Single Installation	No joiner kit required
Dual Installation	AJRS19LR (1 kit required)
Triple Installation	AJRS19LR (2 kits required)

**HANDLES**

HANDLE TYPE	FINISH	SINGLE DOOR MODLE	TOP AND BOTTOM HANDLE KITS
Contemporary Square Fine	Aluminium	① AHD5RDSF	③ AHD5RDB19
	Black	① AHD5RDSFB	③ AHD5RDB19B
Contemporary Round	Aluminium	② AHSRDSF	④ AHSRDB19
Classic	Aluminium	③ AHCLRDSF	⑦ AHCLRDB
Professional Round	Aluminium	④ AHP3RDSF	⑧ AHP3RDB19
Assisted Opening (custom panels only)	Check fisherpaykel.com for availability		

\*Two panels supplied in panel kit.  
\*\*One panel supplied in panel kit.

Note: 1 joiner kit included with freezer models RS6019F2L1 and RS6019F3LJ1.

Note: For measurements of the handles, refer to 'Handle Data Sheets' section of this Planning Guide.

The models shown in this Planning Guide may not be available in all markets and are subject to change at any time. Product specifications may vary from those shown. This Planning Guide should not be used as installation guidance for any product. Further information is required to safely and correctly install the products featured here. Specific installation guidance will be available on our website fisherpaykel.com

## SPECIFICATION GUIDE



RS6019F3LJ1, RS6019S3RH1 and RS6019BRU1.

**OVERVIEW**

These slim profile Integrated Refrigerators and Freezers are perfect for compact kitchens, or pair them together for generous chilled and frozen storage. Features two or three independent zones with ActiveSmart™ technology for optimal freshness, and bright LED lighting. With options for ice makers, water dispensers and joining kits these models provide the ultimate flexibility.

**PRODUCTS**

**RS6019BRU1** - 60cm Series 9 Integrated Refrigerator Freezer, Ice & Water

**RS6019S2R1** - 60cm Series 9 Integrated Dual Zone Refrigerator

**RS6019S3RH1** - 60cm Series 9 Integrated Triple Zone Refrigerator

**RS6019F2L1** - 60cm Series 9 Integrated Dual Zone Freezer

**RS6019F3LJ1** - 60cm Series 9 Integrated Triple Zone Freezer, Ice

**SERIES & STYLE**

Series 9  
Integrated

**FEATURES**

- ① Customize with kitchen cabinetry or a stainless steel door panel accessory
- ② Mix and match, install separately or pair together
- ③ Choose Refrigerator Freezer or Dual Zone with two independent zones for Fridge and Freezer, or Triple Zone with three Variable Temperature Zones for Fridge, Pantry, Chill, Freeze or Soft Freeze
- ④ Intuitive, easy-to-use touchscreen interface with Wi-Fi compatibility
- ⑤ ActiveSmart™ technology maintains ideal temperature for fresher food
- ⑥ Bright LEDs illuminate ceiling, shelves, bins, and tray
- ⑦ Joining kit for pairing units; front adjustable leveling feet for easy installation
- ⑧ Premium finish with robust materials for long-lasting durability and sleek aesthetic
- ⑨ Flexible installation with left or right hinge options



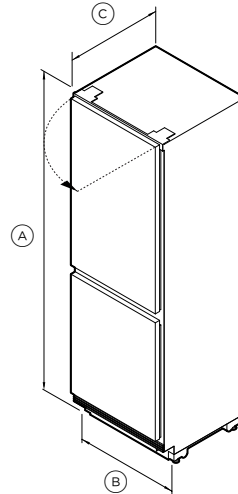
RS6019F3LJ1, RS6019S3RH1 and RS6019BRU1.

The models shown in this Planning Guide may not be available in all markets and are subject to change at any time. Product specifications may vary from those shown. This Planning Guide should not be used as installation guidance for any product. Further information is required to safely and correctly install the products featured here. Specific installation guidance will be available on our website [fisherpaykel.com](http://fisherpaykel.com)

**SPECIFICATIONS**

<b>Model No.</b>	RS6019BRU1
<b>Product Dimensions</b>	H 1880mm W 592mm D 579mm
<b>Electrical</b>	
<b>Supply</b>	230 V, 50 Hz
<b>Service</b>	10 A
<b>Connection</b>	Flex cord with plug
<b>Plumbing</b>	
<b>Supply</b>	Water Filter
<b>UK EU IE</b>	Braided hose, 7/16" x 24 UNS to 3/4" BSP
<b>SG HK</b>	BSP
<b>NZ AU</b>	Braided hose, 7 x 16-24 UNS to 1/2" BSP
<b>Pressure</b>	min 275 kPa (40 psi) max 827 kPa (120 psi)

**PRODUCT DIMENSIONS**



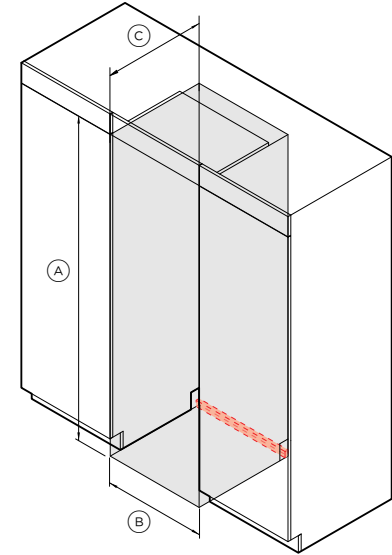
	mm
(A) Overall height	1880
(B) Overall width	592
(C) Overall depth*	579
(D) Overall depth with the door open*	1200
Height of toe kick panel	100
Height from floor to bottom of door panel (custom panel)**	15-150
Depth of toe kick (excl. front door panel and toe kick panel)	50-100

\*Excluding door panel and handle.

\*\*The grille becomes visible at heights over 100mm. Only applies to custom panels.

Note: Maximum custom door panel thickness of 19mm.

**CAVITY DIMENSIONS: STANDARD INSTALLATION**



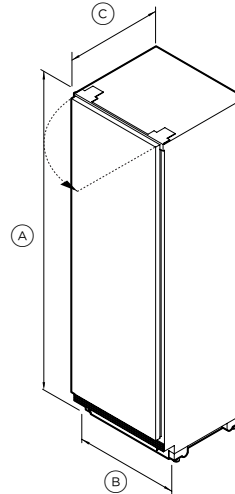
	mm
(A) Cavity height	1880
(B) Minimum cavity width	600
(C) Minimum overall depth of cavity (services located at outside of cavity)	600
Minimum overall depth of cavity (services located in cabinet above the cavity)	610
Minimum overall depth of cavity (services located at rear of cavity)	650
<b>Service area</b>	<b>H37mm x W600mm x D20mm</b>

The models shown in this Planning Guide may not be available in all markets and are subject to change at any time. Product specifications may vary from those shown. This Planning Guide should not be used as installation guidance for any product. Further information is required to safely and correctly install the products featured here. Specific installation guidance will be available on our website [fisherpaykel.com](http://fisherpaykel.com)

**SPECIFICATIONS**

<b>Model No.</b>	RS6019S2R1, RS6019S3RH1, RS6019F2L1, RS6019F3LJ1
<b>Product Dimensions</b>	H 1880mm W 592mm D 579mm
<b>Electrical</b>	
<b>Supply</b>	230 V, 50 Hz
<b>Service</b>	10 A
<b>Connection</b>	Flex cord with plug
<b>Plumbing</b>	
<b>Supply</b>	Water Filter
<b>UK EU IE</b>	Braided hose, 7/16" x 24 UNS to 3/4" BSP
<b>SG HK</b>	
<b>NZ AU</b>	Braided hose, 7 x 16-24 UNS to 1/2" BSP
<b>Pressure</b>	min 275 kPa (40 psi) max 827 kPa (120 psi)

**PRODUCT DIMENSIONS**



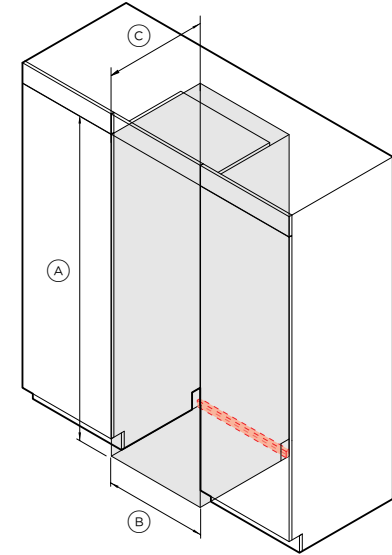
	mm
<b>(A) Overall height</b>	1880
<b>(B) Overall width</b>	592
<b>(C) Overall depth*</b>	579
<b>(D) Overall depth with the door open*</b>	1200
<b>Height of toe kick panel</b>	100
<b>Height from floor to bottom of door panel (custom panel)**</b>	15-150
<b>Depth of toe kick (excl. front door panel and toe kick panel)</b>	50-100

\*Excluding door panel and handle.

\*\*The grille becomes visible at heights over 100mm. Only applies to custom panels.

Note: Maximum custom door panel thickness of 19mm.

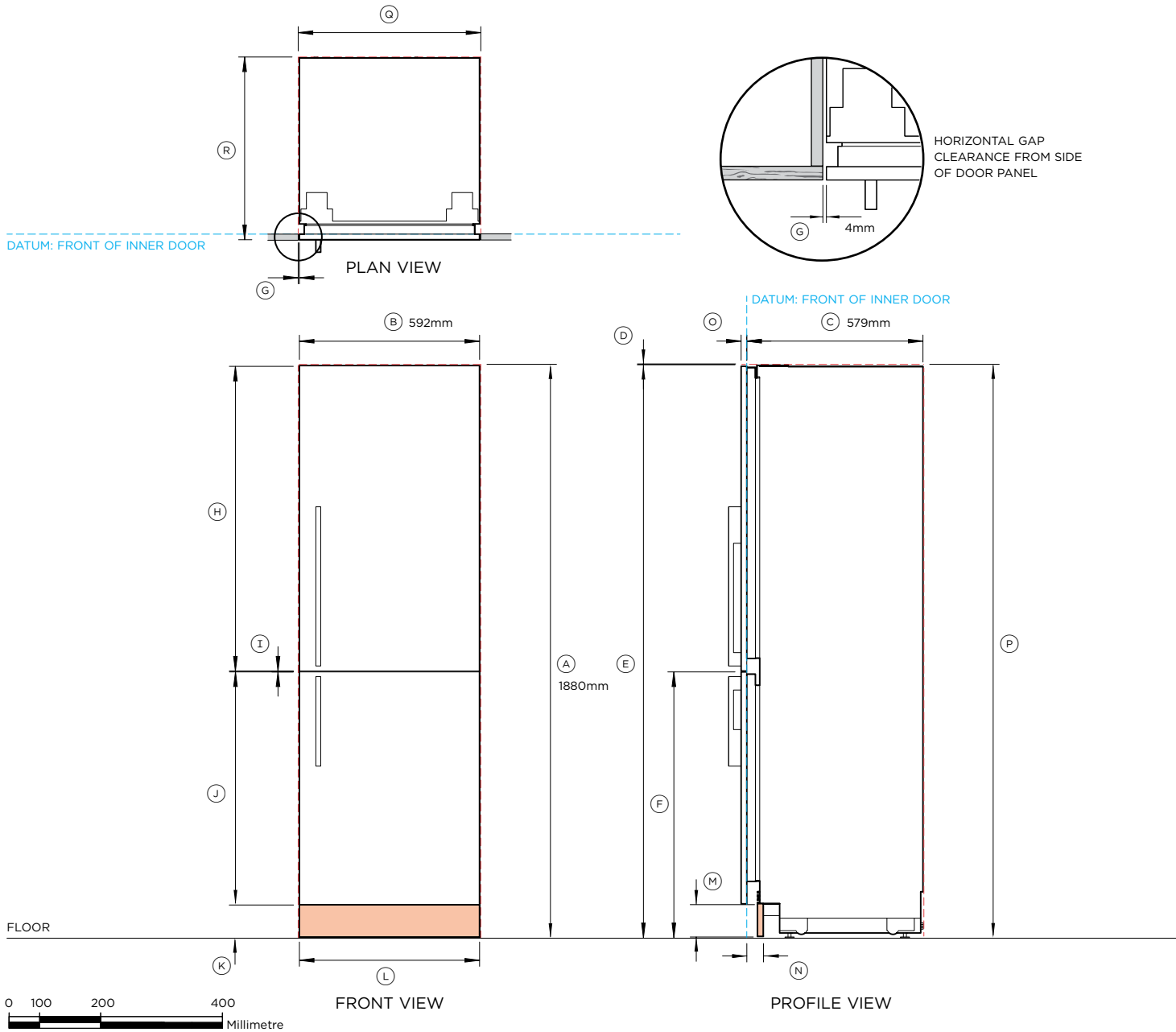
**CAVITY DIMENSIONS: STANDARD INSTALLATION**



	mm
<b>(A) Cavity height</b>	1880
<b>(B) Minimum cavity width</b>	600
<b>(C) Minimum overall depth of cavity (services located at outside of cavity)</b>	600
<b>Minimum overall depth of cavity (services located in cabinet above the cavity)</b>	610
<b>Minimum overall depth of cavity (services located at rear of cavity)</b>	650
<b>Service area</b>	H37mm x W600mm x D20mm

The models shown in this Planning Guide may not be available in all markets and are subject to change at any time. Product specifications may vary from those shown. This Planning Guide should not be used as installation guidance for any product. Further information is required to safely and correctly install the products featured here. Specific installation guidance will be available on our website [fisherpaykel.com](http://fisherpaykel.com)

## DATA SHEETS



**Model no:**

Integrated Refrigerator Freezer - RS6019BRU1  
 Stainless Steel Panels - RD6019BR  
 Stainless Steel Toe Kick Panel - AKRS06010  
 Handle Kit - AHD5RDSF

Note: Left-hand hinge is a mirrored version of the image shown. Left-hand hinge can be achieved using supplied parts. Please refer to Installation Guide for details.

Product Dimensions	mm
Ⓐ Overall height of product	1880
Ⓑ Overall width of product	592
Ⓒ Overall depth of product (excl. front door panels)	579
Ⓓ Minimum cabinetry clearance from top of stainless steel door panel	3
Ⓔ Height from top of top stainless steel door panel to floor	1877
Ⓕ Height from top of bottom stainless steel door panel to floor	873
Ⓖ Minimum cabinetry clearance from side of stainless steel door panel	4
Ⓜ Height of top stainless steel door panel	1001
Ⓣ Gap between stainless steel door panels	3
Ⓝ Height of bottom stainless steel door panel	771
Ⓚ Height of visual toe kick	102
Ⓛ Width of stainless steel door panels	592
Ⓜ Height of stainless steel toe kick panel	100
Ⓝ Depth of toe kick (excl. front door panel and toe kick panel)	min 50 max 100
Ⓞ Thickness of stainless steel door panels	18

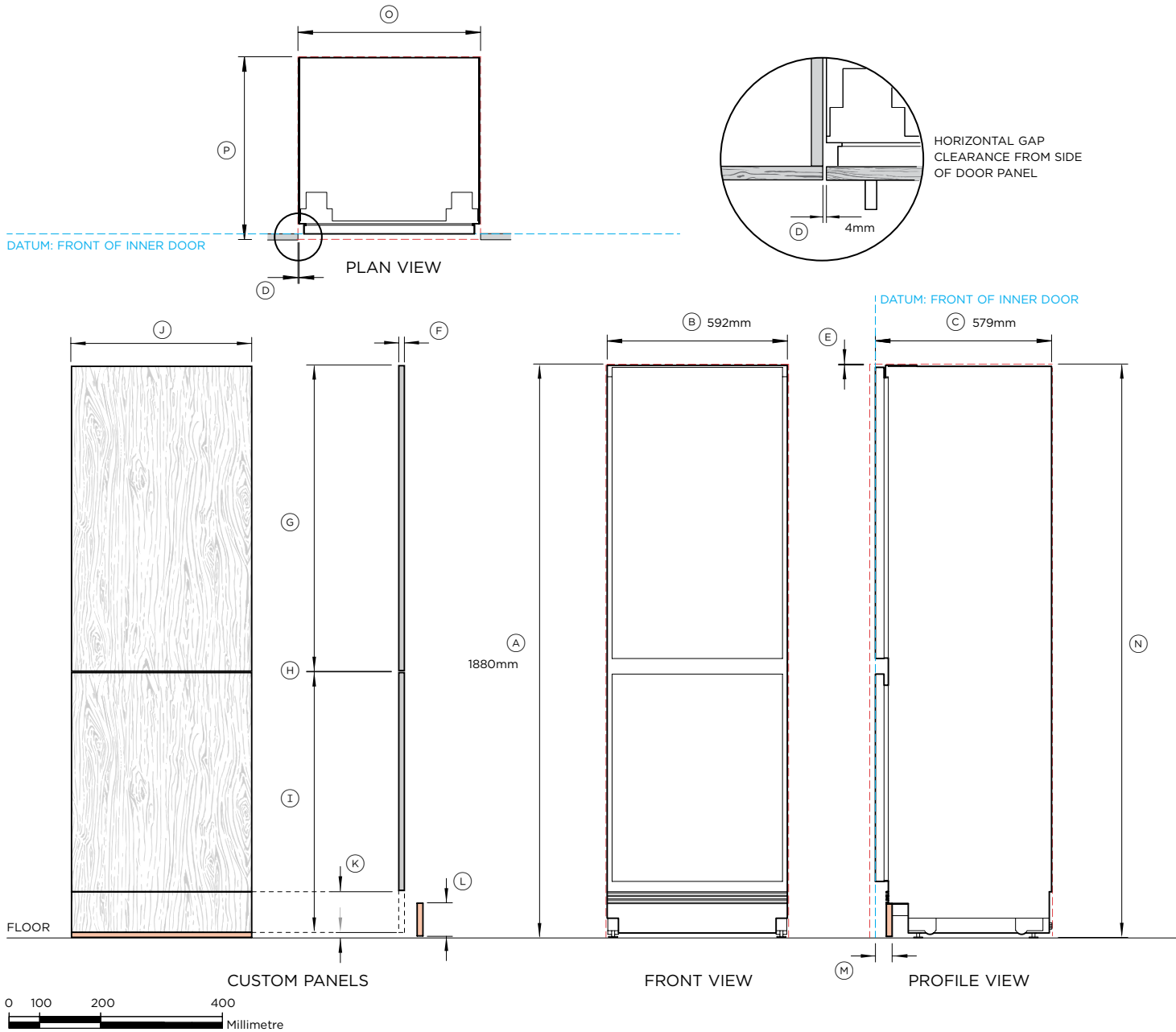
Cavity Dimensions	mm
Ⓐ Overall height of cavity	1880
Ⓑ Overall width of cavity	600
Ⓒ Minimum overall depth of cavity (including front panel):	
When services are located outside of cavity (shallow)	600
When services are located in the cabinet above the cavity	610
When services are located at rear of cavity (deep)	650

Note: Product shown installed on the floor. Slide into cabinetry position. Alternatively can be installed on a plinth. Adjust your cavity height accordingly

INDICATES PRODUCT DATUM -----  
 INDICATES CABINERY CLEARANCES - - - - -

IMPORTANT NOTE: Throughout this guide, dimensions may vary by ±2mm (1/16"). Please read the Installation Guide for detailed information on installing the product. For full installation instructions visit fisherpaykel.com





**Model no:**

Integrated Refrigerator Freezer - RS6019BRU1  
Custom Panel

Note: Left-hand hinge is a mirrored version of the image shown. Left-hand hinge can be achieved using supplied parts. Please refer to Installation Guide for details.

Product Dimensions	mm
Ⓐ Overall height of product	1880
Ⓑ Overall width of product	592
Ⓒ Overall depth of product	579
Ⓓ Minimum cabinetry clearance from side of door panels*	4
Ⓔ Minimum cabinetry clearance from top of door panel*	3
Ⓕ Thickness of custom door panel*	16 - 19
Ⓖ Height of top custom door panel	1001
Ⓜ Gap between door panels	3
Ⓣ Height of bottom custom door panel	721 - 856
Ⓝ Width of custom door panels	
Single install	592
Dual install	594
Triple install	594.5
Ⓧ Height of visual toe kick**	15 - 150
Ⓛ Height of custom toe kick panel*	100
Ⓢ Depth of custom toe kick (excl. front door panel and toe kick panel)*	min 50 max 100

\*Custom door panels and toe kick panel to be manufactured and fitted by cabinet maker.

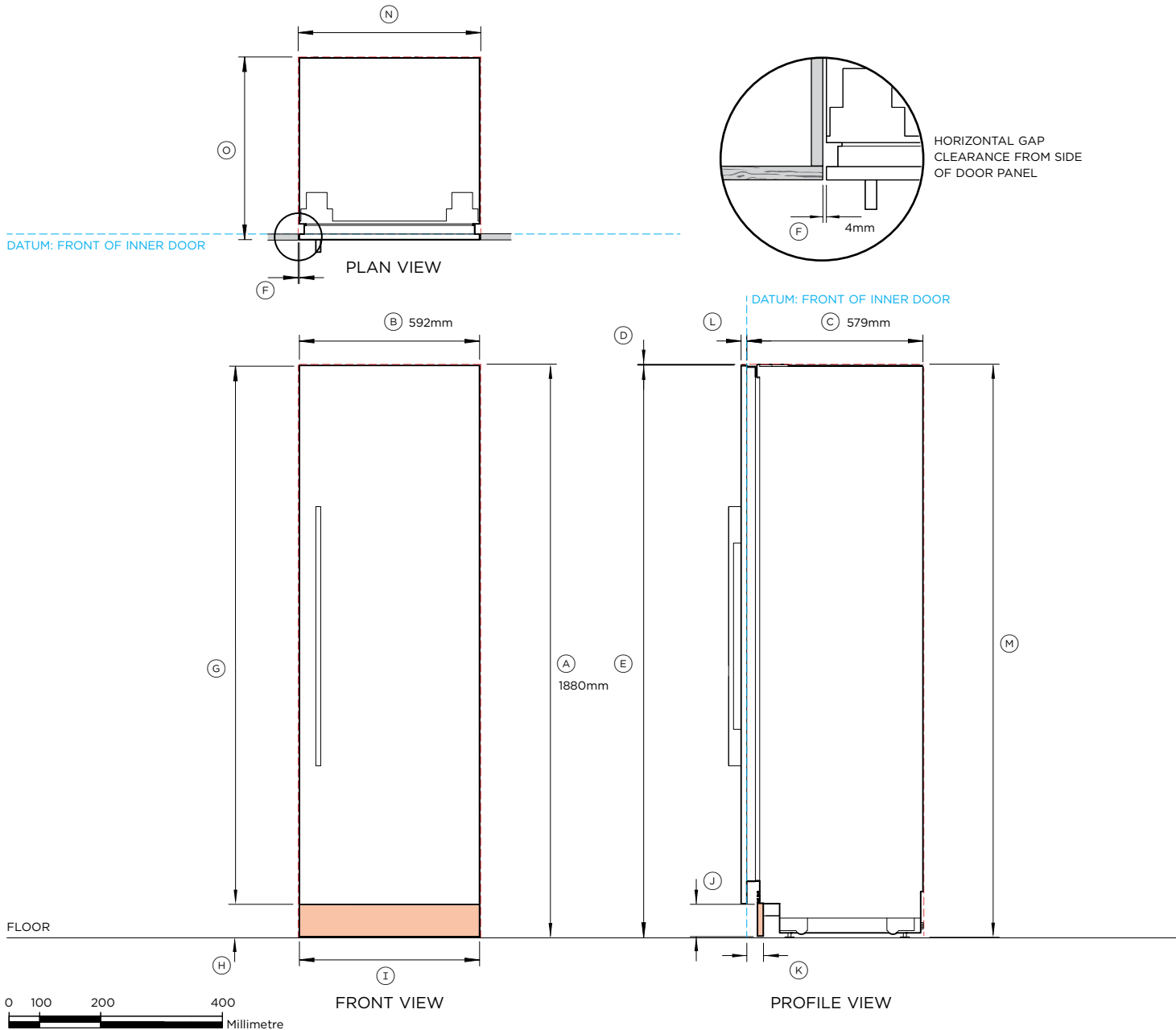
\*\*The grille becomes visible at heights over 100mm.

Cavity Dimensions	mm
Ⓝ Overall height of cavity	1880
Ⓑ Overall width of cavity	600
Ⓓ Minimum overall depth of cavity (including front panel):	
When services are located outside of cavity (shallow)	600
When services are located in the cabinet above the cavity	610
When services are located at rear of cavity (deep)	650

Note: Product shown installed on the floor. Slide into cabinetry position. Alternatively can be installed on a plinth. Adjust your cavity height accordingly.

INDICATES PRODUCT DATUM -----  
INDICATES CABINERY CLEARANCES - - - - -

IMPORTANT NOTE: Throughout this guide, dimensions may vary by ±2mm (1/16"). Please read the Installation Guide for detailed information on installing the product. For full installation instructions visit [fisherpaykel.com](http://fisherpaykel.com)



**Model no:**

Integrated Refrigerator - RS6019S2R1, RS6019S3RH1  
 Integrated Freezer - RS6019F2L1, RS6019F3LJ1

Stainless Steel Panels - RD6019  
 Handle Kit - AHD5RDSF  
 Stainless Steel Toe Kick Panel - AKRS06010

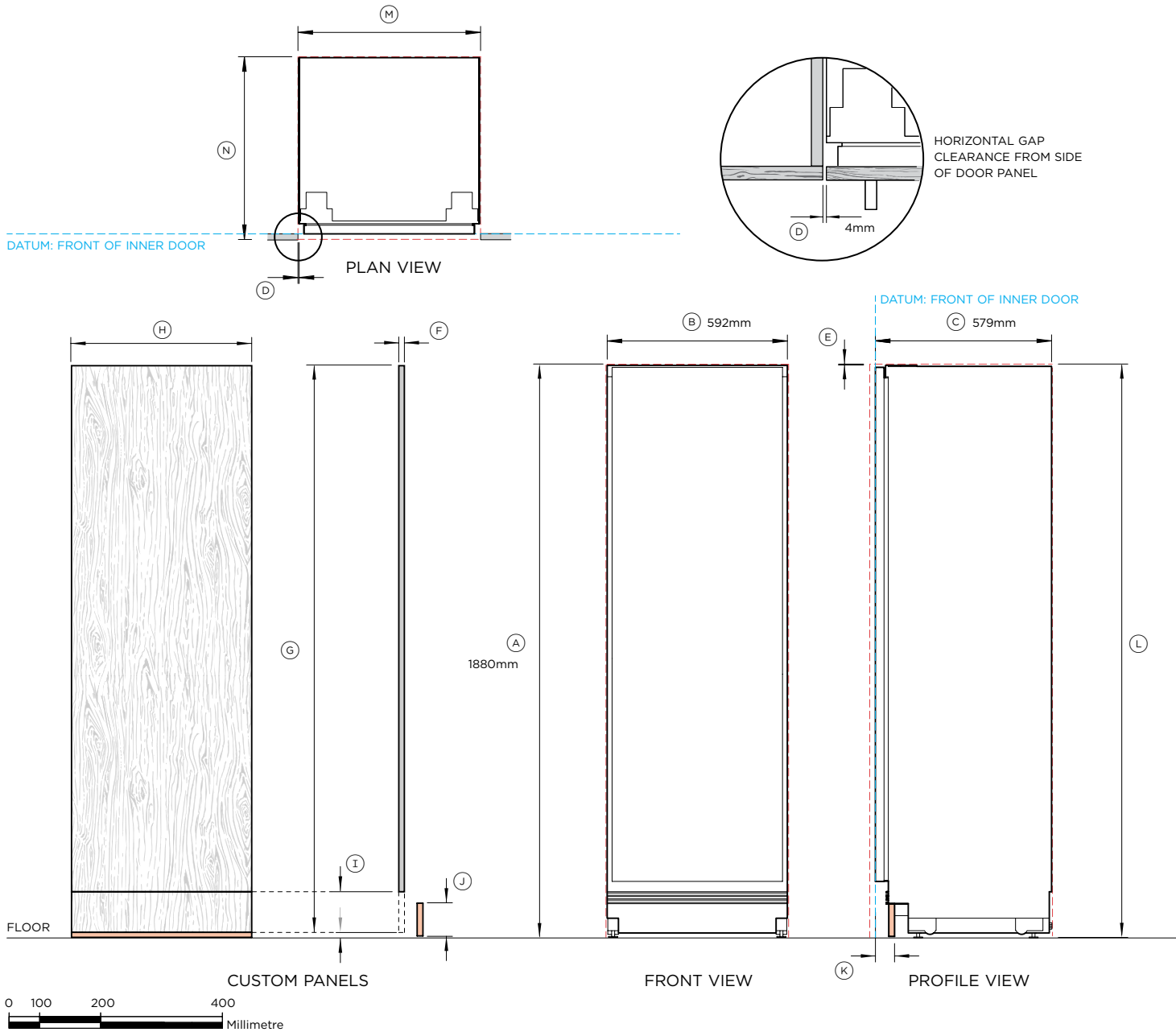
Note: Left-hand hinge is a mirrored version of the image shown. Left-hand hinge can be achieved using supplied parts. Please refer to Installation Guide for details.

Product Dimensions	mm
Ⓐ Overall height of product	1880
Ⓑ Overall width of product	592
Ⓒ Overall depth of product (excl. front door panels)	579
Ⓓ Minimum cabinetry clearance from top of stainless steel door panel	3
Ⓔ Height from top of stainless steel door panel to floor	1877
Ⓕ Minimum cabinetry clearance from side of stainless steel door panel	4
Ⓖ Height of stainless steel door panel	1775
Ⓜ Height of visual toe kick	102
Ⓣ Width of stainless steel door panel	592
Ⓟ Height of stainless steel toe kick panel	100
Ⓚ Depth of toe kick (excl. front door panel and toe kick panel)	min 50 max 100
Ⓛ Thickness of stainless steel door panel	18
Cavity Dimensions	mm
Ⓜ Overall height of cavity	1880
Ⓝ Overall width of cavity	600
Ⓞ Minimum overall depth of cavity (including front panel):	
When services are located outside of cavity (shallow)	600
When services are located in the cabinet above the cavity	610
When services are located at rear of cavity (deep)	650

Note: Product shown installed on the floor. Slide into cabinetry position. Alternatively can be installed on a plinth. Adjust your cavity height accordingly.

INDICATES PRODUCT DATUM -----  
 INDICATES CABINERY CLEARANCES - - - - -

**IMPORTANT NOTE:** Throughout this guide, dimensions may vary by ±2mm (1/16"). Please read the Installation Guide for detailed information on installing the product. For full installation instructions visit [fisherpaykel.com](http://fisherpaykel.com)



**Model no:**

Integrated Refrigerator - RS6019S2R1, RS6019S3RH1  
 Integrated Freezer - RS6019F2L1, RS6019F3LJ1  
 Custom Panel

Note: Left-hand hinge is a mirrored version of the image shown. Left-hand hinge can be achieved using supplied parts. Please refer to Installation Guide for details.

Product Dimensions	mm
Ⓐ Overall height of product	1880
Ⓑ Overall width of product	592
Ⓒ Overall depth of product	579
Ⓓ Minimum cabinetry clearance from side of door panel*	4
Ⓔ Minimum cabinetry clearance from top of door panel*	3
Ⓕ Thickness of custom door panel*	16 - 19
Ⓖ Height of custom door panel	1725 - 1860
Ⓜ Width of custom door panel	
Single install	592
Dual install	594
Triple install	594.5
Ⓙ Height of visual toe kick**	15 - 150
Ⓚ Height of custom toe kick panel*	100
Ⓛ Depth of custom toe kick (excl. front door panel and toe kick panel)*	min 50 max 100

\*Custom door panel and toe kick panel to be manufactured and fitted by cabinet maker.

\*\*The grille becomes visible at heights over 3 15/16" (100mm).

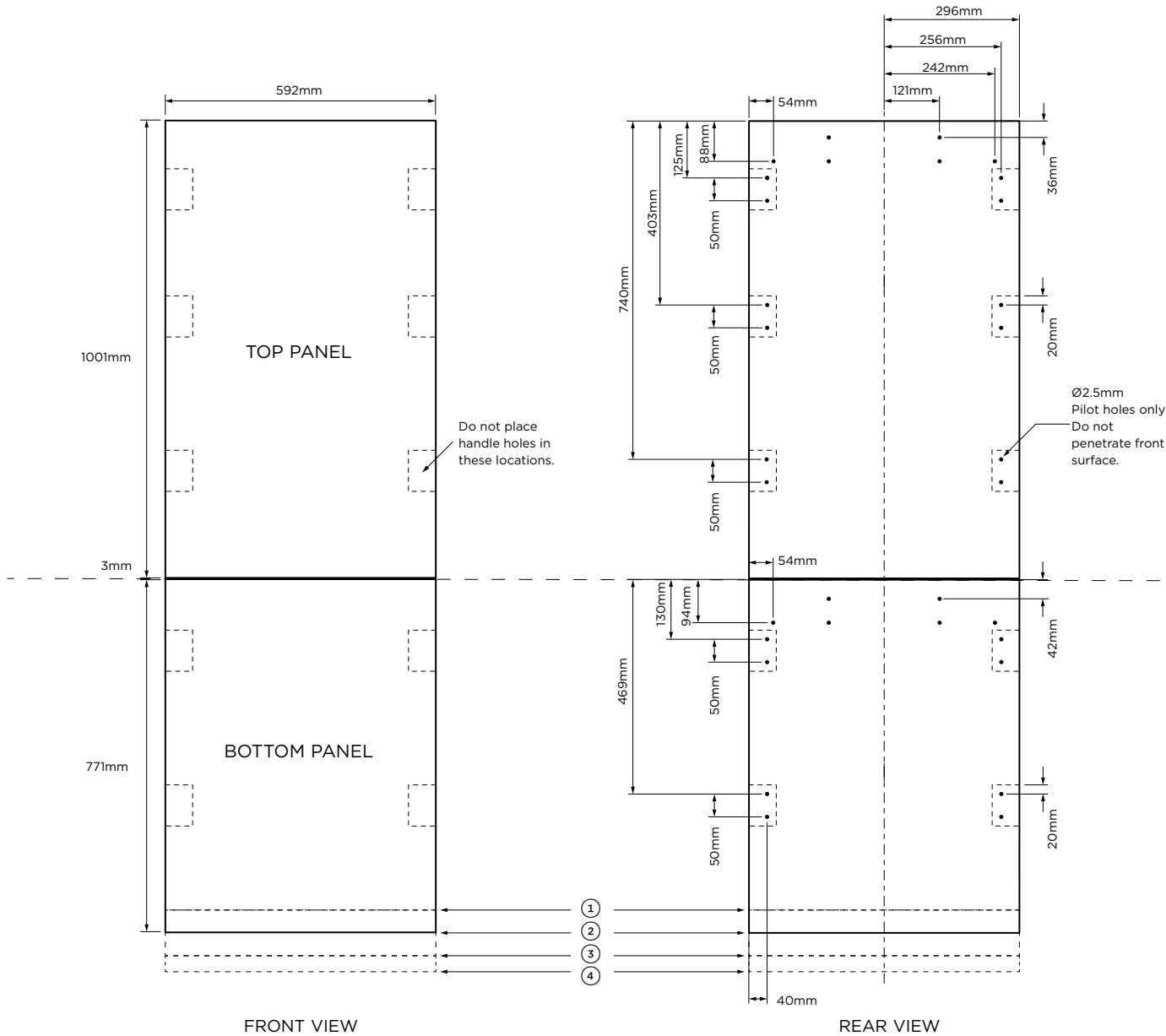
Cavity Dimensions	mm
Ⓛ Overall height of cavity	1880
Ⓜ Overall width of cavity	600
Ⓝ Minimum overall depth of cavity (including front panel):	
When services are located outside of cavity (shallow)	600
When services are located in the cabinet above the cavity	610
When services are located at rear of cavity (deep)	650

Note: Product shown installed on the floor. Slide into cabinetry position. Alternatively can be installed on a plinth. Adjust your cavity height accordingly.

INDICATES PRODUCT DATUM -----  
 INDICATES CABINERY CLEARANCES - - - - -

IMPORTANT NOTE: Throughout this guide, dimensions may vary by ±2mm (1/16"). Please read the Installation Guide for detailed information on installing the product. For full installation instructions visit [fisherpaykel.com](http://fisherpaykel.com)

## CUSTOM PANELS



**VISUAL TOE KICK HEIGHT FROM FLOOR TO BOTTOM OF DOOR PANEL**

- ① Visual toe kick height 150mm custom door panel 50mm shorter
- ② Visual toe kick height 100mm
- ③ Visual toe kick height 50mm custom door panel 50mm longer
- ④ Visual toe kick height 15mm custom door panel 85mm longer

**CUSTOM PANEL WEIGHT**

**Custom top panel:** Max 9.5kg  
**Custom bottom panel:** Max 9kg

Note: Door weights includes weight of handle.

**HANDLE HOLE LOCATIONS**

All Fisher & Paykel handle holes Ø 6mm.  
 Do not place handle holes in bracket hole locations.

**BRACKET HOLE LOCATIONS**

Ø 2.5mm pilot holes, all holes 15mm deep. Do not penetrate front face.

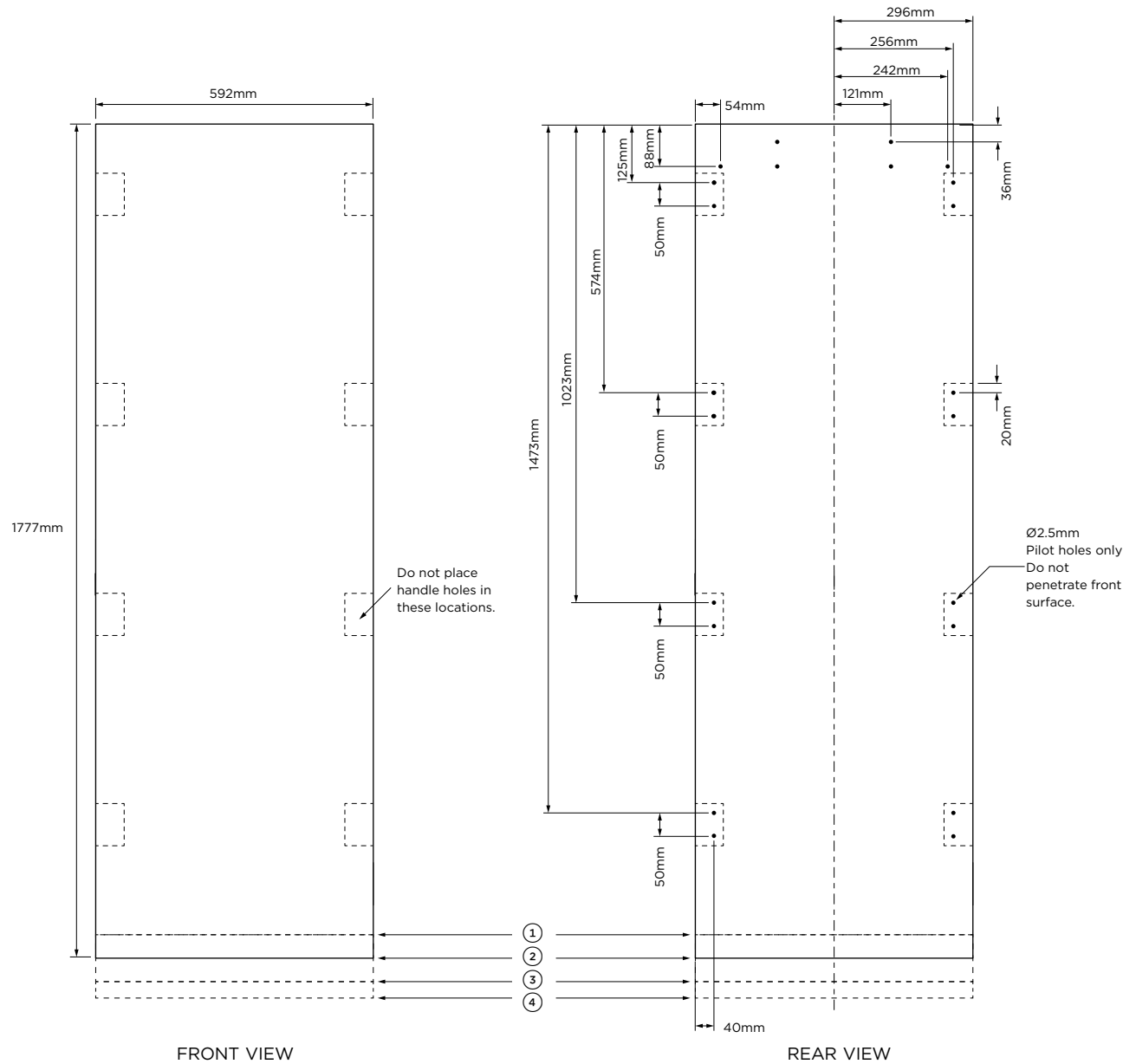
**DWG & DXF FILES AND TEMPLATE**

Dwg and Dxf files of the panel preparation can be downloaded from Trade Resources [www.fisherpaykel.com](http://www.fisherpaykel.com).  
 A template for marking and drilling the holes is provided with the product.

**GAP BETWEEN CUSTOM DOOR PANELS**

Allow 3 mm gap between the top of the custom door panel and the bottom custom door panel.

The models shown in this Planning Guide may not be available in all markets and are subject to change at any time. Product specifications may vary from those shown. This Planning Guide should not be used as installation guidance for any product. Further information is required to safely and correctly install the products featured here. Specific installation guidance will be available on our website [fisherpaykel.com](http://fisherpaykel.com)



**VISUAL TOE KICK HEIGHT FROM FLOOR TO BOTTOM OF DOOR PANEL**

- ① Visual toe kick height 150mm custom door panel 50mm shorter
- ② Visual toe kick height 100mm
- ③ Visual toe kick height 50mm custom door panel 50mm longer
- ④ Visual toe kick height 15mm custom door panel 85mm longer

**CUSTOM PANEL WEIGHT**

**Custom single panel:** Max 19kg

Note: Door weights includes weight of handle.

**FRONT OF CUSTOM DOOR PANEL HANDLE HOLE LOCATIONS**

All Fisher & Paykel handle holes Ø6mm.  
Do not place handle holes in bracket hole locations.

**DWG & DXF FILES AND TEMPLATE**

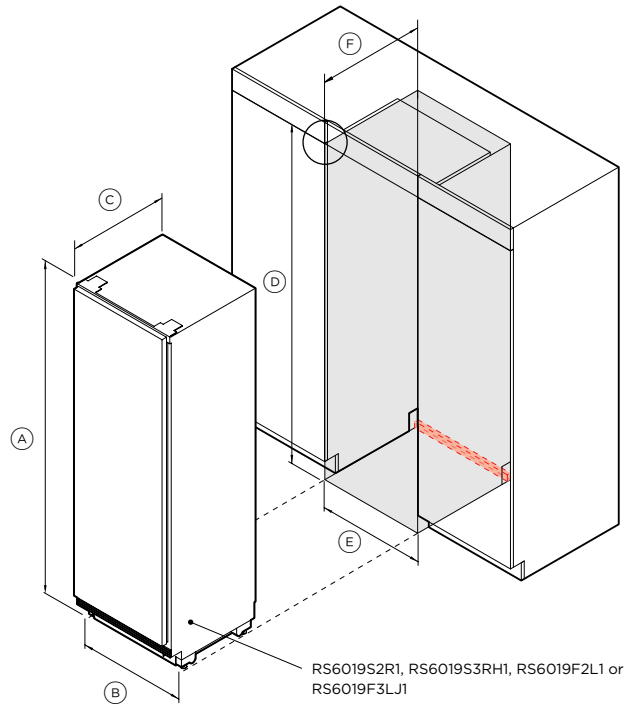
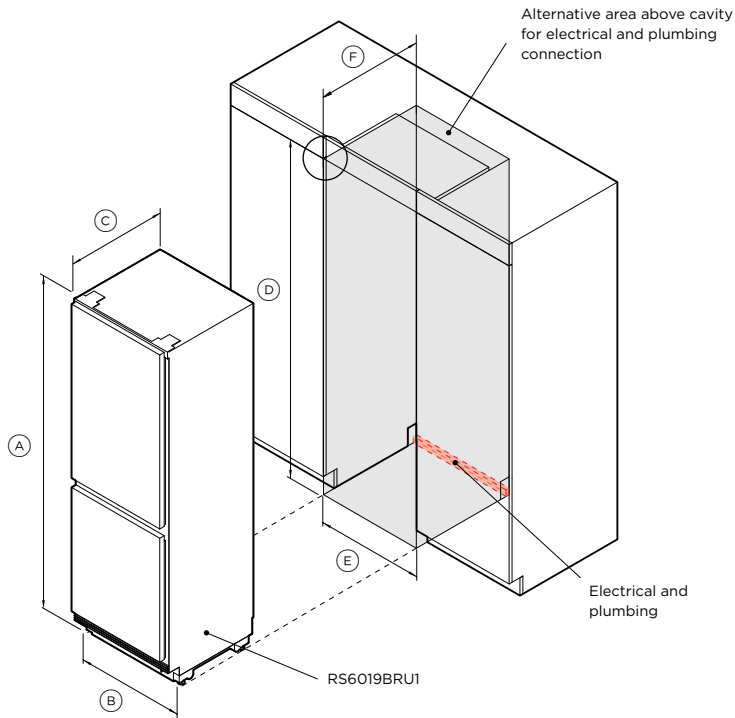
Dwg and Dxf files of the panel preparation can be downloaded from Trade Resources [www.fisherpaykel.com](http://www.fisherpaykel.com).  
A template for marking and drilling the holes is provided with the product.

**BACK OF CUSTOM DOOR PANEL BRACKET HOLE LOCATIONS**

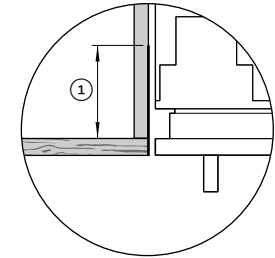
Ø2.5mm pilot holes, all holes 15mm deep. Do not penetrate front face.

The models shown in this Planning Guide may not be available in all markets and are subject to change at any time. Product specifications may vary from those shown. This Planning Guide should not be used as installation guidance for any product. Further information is required to safely and correctly install the products featured here. Specific installation guidance will be available on our website [fisherpaykel.com](http://fisherpaykel.com)

## PLANNING CONSIDERATIONS



**ADJACENT CABINETS**



PLAN VIEW

**CABINETS RETURN**

① Finished return on side and top = Min 100mm

**PRODUCT DIMENSIONS**

Dimensions
Ⓐ Overall height of product
Ⓑ Overall width of product
Ⓒ Overall depth of product (not including door panel)

**DOUBLE DOOR**

mm
1880
592
579

**SINGLE DOOR**

mm
1880
592
579

**CAVITY DIMENSIONS**

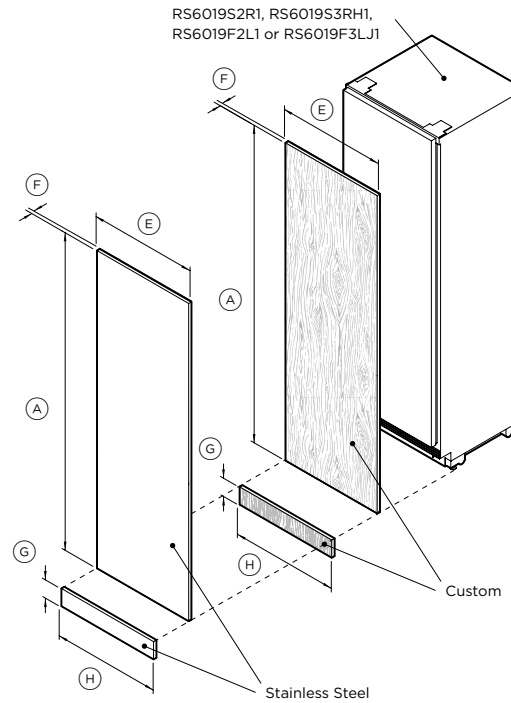
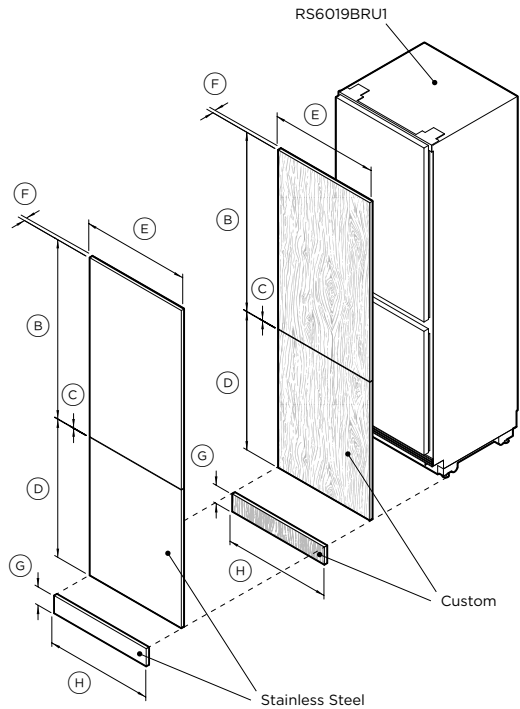
Ⓒ Overall height of cavity
Ⓔ Overall width of cavity
Ⓕ Minimum overall depth of cavity (services located at outside of cavity)
Minimum overall depth of cavity (services located in cabinet above the cavity)
Minimum overall depth of cavity (services located at rear of cavity)

1880
600
600
610
650

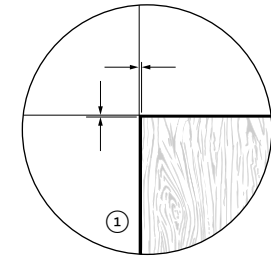
1880
600
600
610
650

The models shown in this Planning Guide may not be available in all markets and are subject to change at any time. Product specifications may vary from those shown. This Planning Guide should not be used as installation guidance for any product. Further information is required to safely and correctly install the products featured here. Specific installation guidance will be available on our website [fisherpaykel.com](http://fisherpaykel.com)





**ADJACENT CABINERY**



FRONT VIEW

**ADJACENT CABINERY (SINGLE INSTALL)**

- ① Vertical gap clearance from side of door panel to adjacent cabinetry. Min (4mm)
- ② Horizontal gaps between door and neighbouring cabinetry. Min (3mm)

**PANEL AND TOE KICK DIMENSIONS**

Dimensions	
Ⓐ Door panel height - single door	
Ⓑ Top door panel height - double door	
Ⓒ Gap between door panels	
Ⓓ Bottom door panel height - double door	
Ⓔ Door panel width	
Ⓕ Door panel thickness	
Ⓖ Toe kick height	
Visual toe kick height	
Ⓗ Toe kick width	

**CUSTOM PANEL**

	mm
Ⓐ	min 1725 max 1860
Ⓑ	1001
Ⓒ	3
Ⓓ	721 - 856
Ⓔ	592
Ⓕ	16 - 19
Ⓖ	100
Visual toe kick height	min 15 max 150
Ⓗ	597

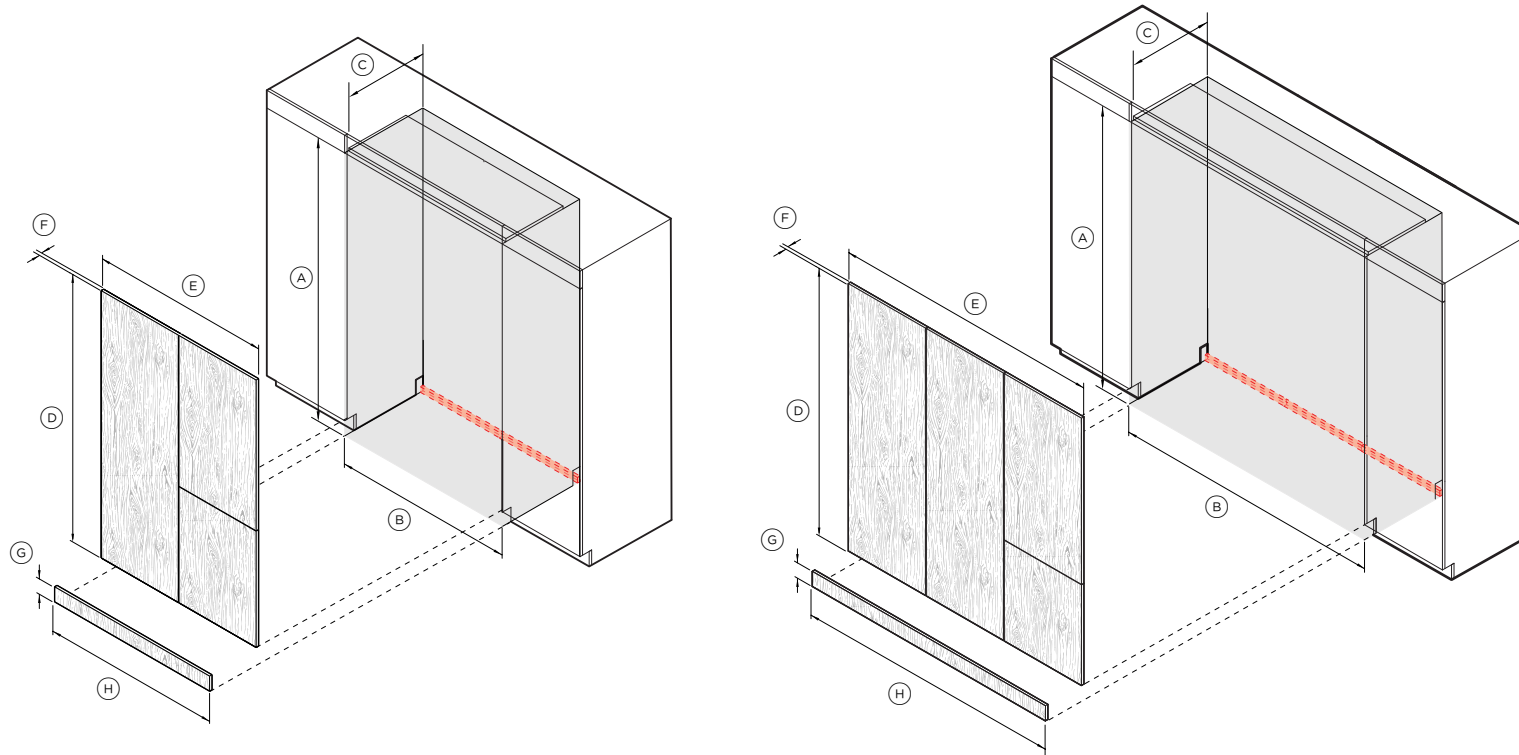
**STAINLESS STEEL PANEL**

	mm
Ⓐ	1775
Ⓑ	1001
Ⓒ	3
Ⓓ	771
Ⓔ	592
Ⓕ	18
Ⓖ	100
Visual toe kick height	102
Ⓗ	596

**STAINLESS STEEL**

**Single door panels:** RD6019  
**Double door panels:** RD6019BL or RD6019BR  
**Single install toe kick:** AKRS06010

The models shown in this Planning Guide may not be available in all markets and are subject to change at any time. Product specifications may vary from those shown. This Planning Guide should not be used as installation guidance for any product. Further information is required to safely and correctly install the products featured here. Specific installation guidance will be available on our website [fisherpaykel.com](http://fisherpaykel.com)



**JOINER KIT**

**Joiner kit:** AJRS19LR

**Dual installation:** 1x joiner kit required

**Triple installation:** 2x joiner kits required

**STAINLESS STEEL**

**Single door panels:** RD6019

**Double door panels:** RD6019BL or RD6019BR

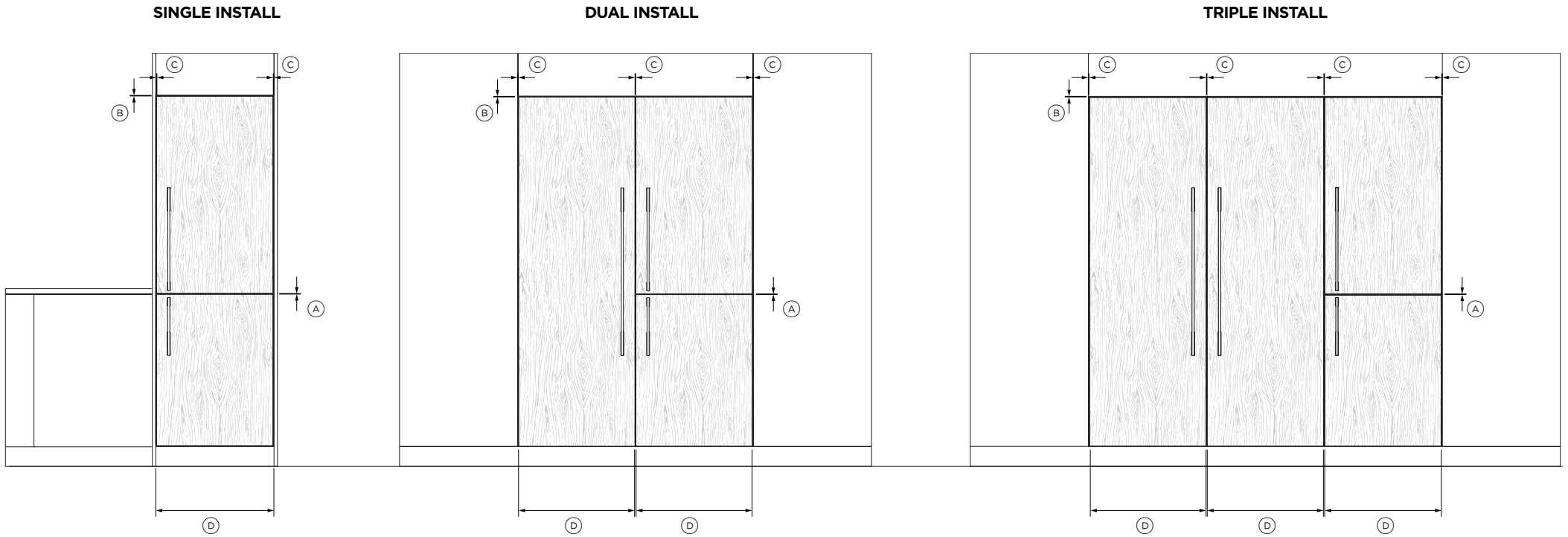
**Dual toe kick:** AKRS12010

**Triple toe kick:** AKRS18010

**CAVITY DIMENSIONS**

Dimensions	CUSTOM - DUAL	STAINLESS STEEL - DUAL	CUSTOM - TRIPLE	STAINLESS STEEL - TRIPLE
	mm	mm	mm	mm
Ⓐ Overall height of cavity	1880	1880	1880	1880
Ⓑ Overall width of cavity	1200	1200	1880	1880
Ⓒ Minimum overall depth of cavity (services located at outside of cavity)	600	600	600	600
Minimum overall depth of cavity (services located in cabinet above the cavity)	610	610	610	610
Minimum overall depth of cavity (services located at rear of cavity)	650	650	650	650
Ⓓ Door panel height	min 1725 max 1860	1775	min 1725 max 1860	1775
Ⓔ Overall door panel widths (including vertical gaps between doors)	1192	1192	1791.5	1788
Ⓕ Door panel thickness	16 - 19	18	16 - 19	18
Ⓖ Toe kick panel height	100	100	100	100
Visual toe kick height	min 15 max 150	102	min 15 max 150	102
Ⓗ Overall toe kick width	1196	1196	1796	1796

The models shown in this Planning Guide may not be available in all markets and are subject to change at any time. Product specifications may vary from those shown. This Planning Guide should not be used as installation guidance for any product. Further information is required to safely and correctly install the products featured here. Specific installation guidance will be available on our website [fisherpaykel.com](http://fisherpaykel.com)



**CLEARANCES**

Dimensions
Ⓐ Horizontal gaps between doors
Ⓑ Horizontal gaps between door and neighbouring cabinetry
Ⓒ Vertical gaps between doors
Single install
Dual install
Triple install
Ⓓ Door widths
Single install
Dual install
Triple install

**CUSTOM PANEL**

	mm
Ⓐ	3
Ⓑ	3
Ⓒ	4
Ⓒ	4
Ⓒ	4
Ⓓ	592
Ⓓ	594
Ⓓ	594.5

**STAINLESS STEEL PANEL**

	mm
Ⓐ	3
Ⓑ	3
Ⓒ	4
Ⓒ	5
Ⓒ	6
Ⓓ	592
Ⓓ	592
Ⓓ	592

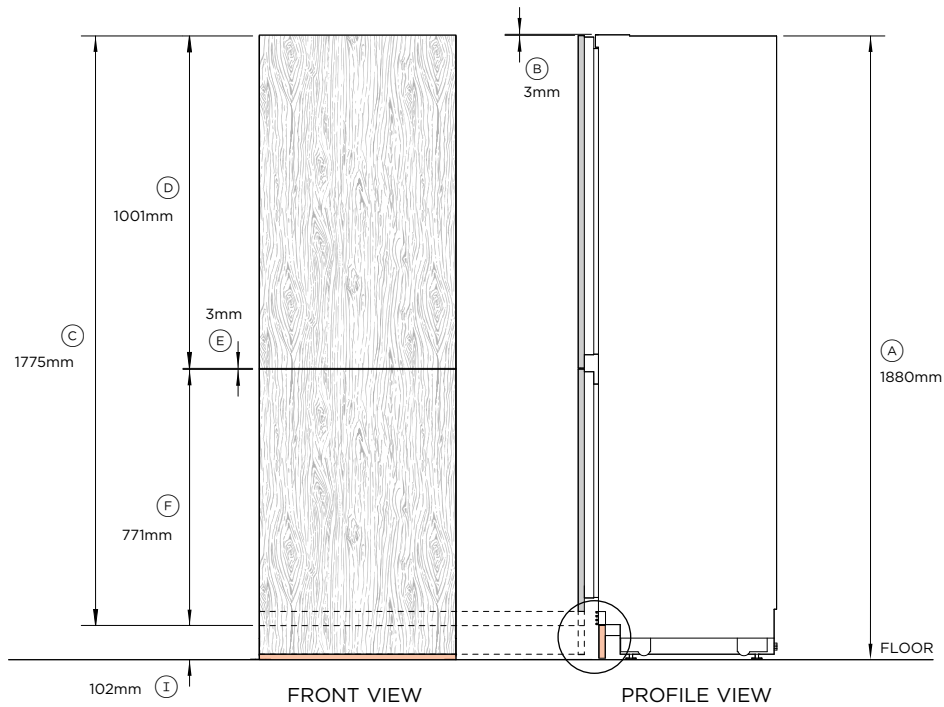
**STAINLESS STEEL PANELS**

---

**Integrated Refrigerator Freezer:**  
Left RD6019BL and right RD6019BR

**Integrated Refrigerator and Freezer:**  
RD6019

The models shown in this Planning Guide may not be available in all markets and are subject to change at any time. Product specifications may vary from those shown. This Planning Guide should not be used as installation guidance for any product. Further information is required to safely and correctly install the products featured here. Specific installation guidance will be available on our website [fisherpaykel.com](http://fisherpaykel.com)



**CUSTOM DOOR PANEL**

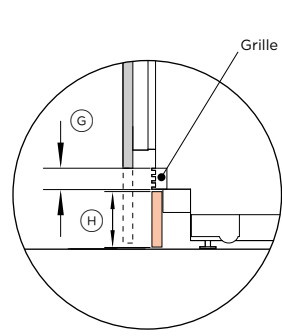
Custom door panel can be longer or shorter to achieve a smaller or bigger visual toe kick.

Head to 'Custom Panels' section of this planning guide to find out more about custom panel heights.

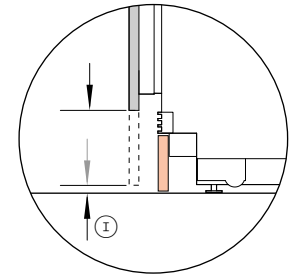
**STAINLESS STEEL DOOR PANEL**

Grille will be hidden by the stainless steel front panel.

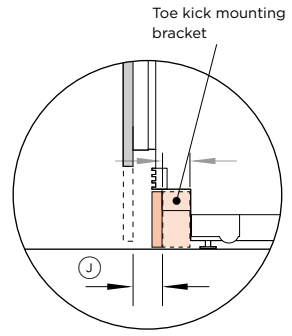
Toe kick panels are 100mm high.



**GRILLE AND TOE KICK**  
PROFILE VIEW



**CUSTOM DOOR PANEL**  
PROFILE VIEW



**TOE KICK DEPTH**  
PROFILE VIEW

**TOE KICK AND DOOR PANELS**

Dimensions	CUSTOM PANEL	STAINLESS STEEL PANEL
Ⓐ Overall product height	1880	1880
Ⓑ Minimum cabinetry clearance from top of door panel	3	3
Ⓒ Door panel height - single door	min 1725 max 1860	1775
Ⓓ Top door panel height - double door	1001	1001
Ⓔ Gap between door panels - double door	3	3
Ⓕ Bottom door panel height - double door	min 721 max 856	771
Ⓖ Grille height	50	50
Ⓗ Toe kick panel height	100	100
Ⓘ Visual toe kick height	min 15 max 150	102
Ⓚ Depth of toe kick (excl. front door panel and toe kick panel)	50 - 100	50 - 100

Custom door panels and toe kick panel to be manufactured and fitted by cabinet maker.

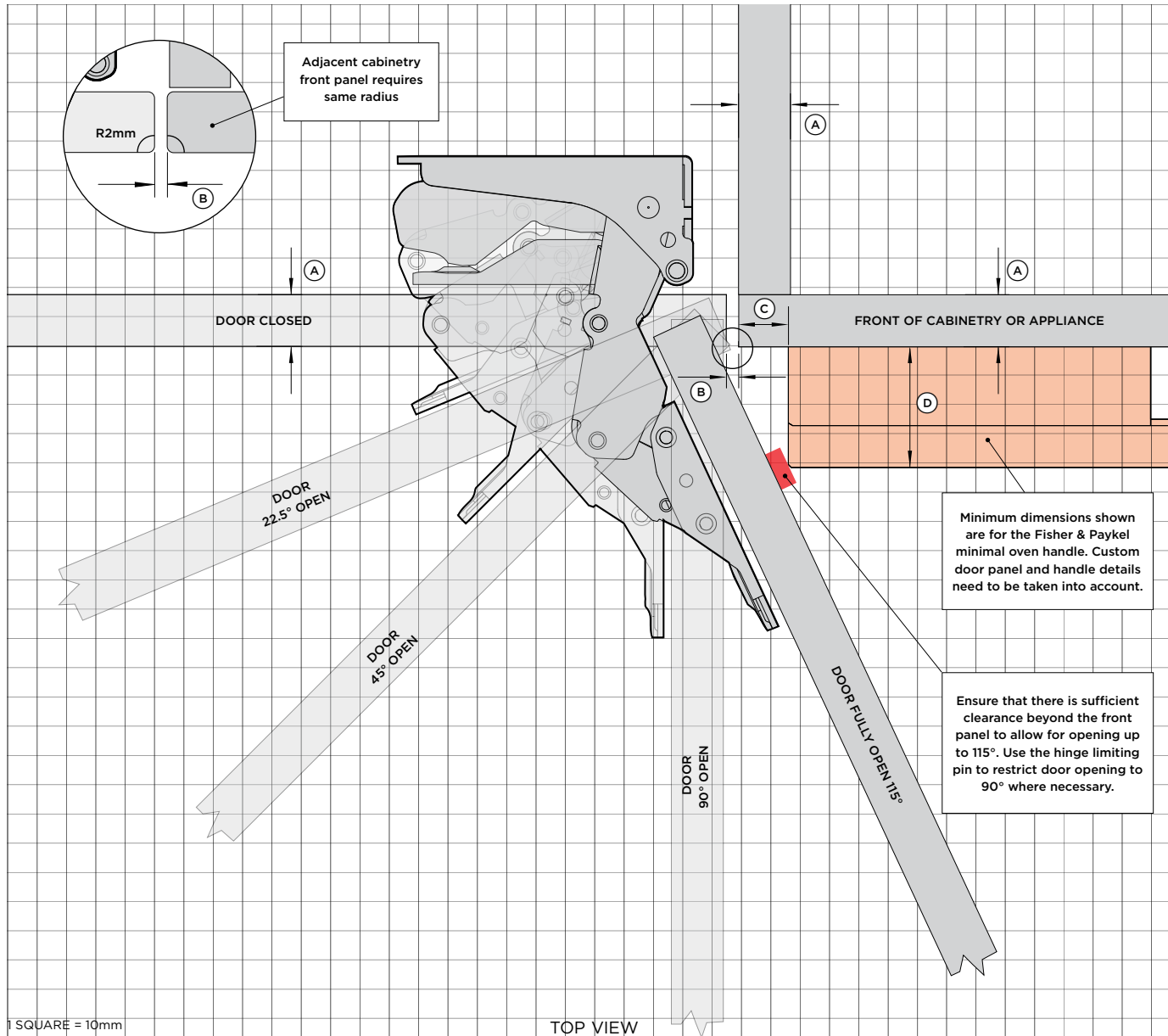
**GRILLE - CUSTOM TOE KICK**

The grille becomes visible if visual toe kick is higher than 100mm high.

**TOE KICK DEPTH**

The toe kick mounting bracket extends out to 50mm. To ensure proper alignment with the front of the grille, use a toe kick panel that is minimum of 18mm thick.

The models shown in this Planning Guide may not be available in all markets and are subject to change at any time. Product specifications may vary from those shown. This Planning Guide should not be used as installation guidance for any product. Further information is required to safely and correctly install the products featured here. Specific installation guidance will be available on our website [fisherpaykel.com](http://fisherpaykel.com)



**DOOR HINGE - HETTICH K08**

Left-hand hinge models are a mirror of version shown.

- CUSTOM FRONT PANEL**
- A** Front panel thickness: 16mm-19mm  
Drawing shown with 18mm panels.
  - B** Gap between custom panel and adjacent cabinetry: Min 4mm
  - C** Minimum Fisher & Paykel minimal oven handle clearance: Min 16.5mm
  - D** Minimum depth of Fisher & Paykel minimal oven handle: Min 42mm

**RADIUS REQUIREMENTS**

Gap: Minimum 4mm

Panel thickness 16mm-19mm: Requires minimum R2mm

Minimum radius prevents clashes with adjacent cabinetry. Panels thicker than 20mm need a larger gap and radius, which might expose internal components.

**WEIGHT LIMIT**

- Custom single panel: Max 19kg
- Custom top panel: Max 9.5kg
- Custom bottom panel: Max 9kg

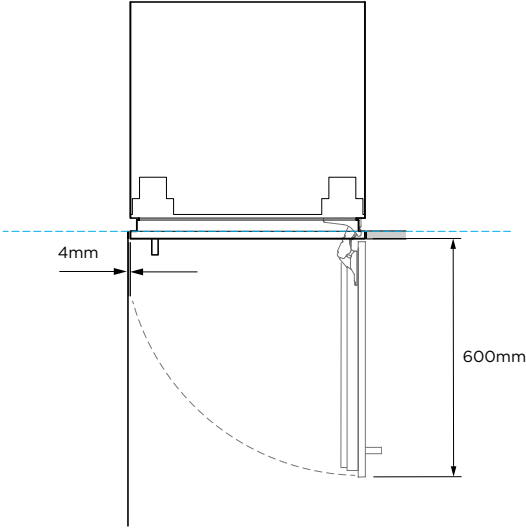
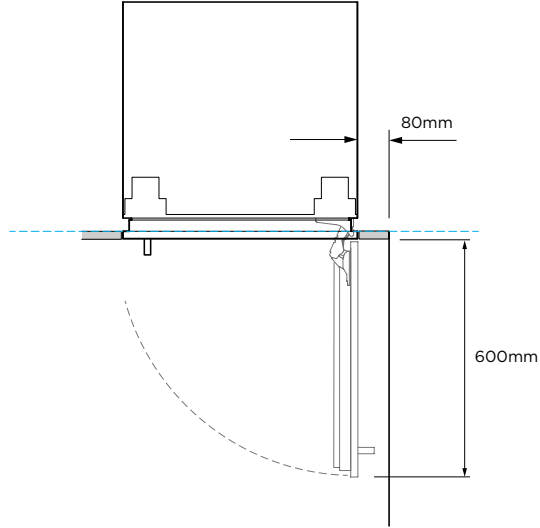
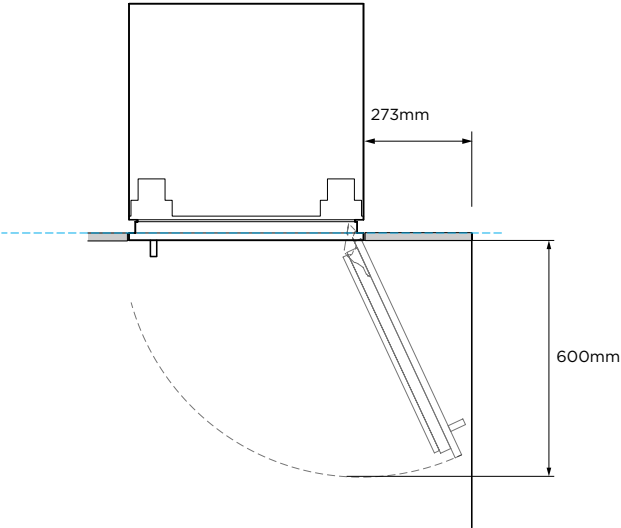
Note: Door weights includes weight of handle.

**TECHNICAL SUPPORT**

For additional design planning and installation support please contact the Fisher & Paykel design support team.

[designsupport@fisherpaykel.com](mailto:designsupport@fisherpaykel.com)

The models shown in this Planning Guide may not be available in all markets and are subject to change at any time. Product specifications may vary from those shown. This Planning Guide should not be used as installation guidance for any product. Further information is required to safely and correctly install the products featured here. Specific installation guidance will be available on our website [fisherpaykel.com](http://fisherpaykel.com)



**FULL INTERNAL ACCESS**

115° door opening - full internal access

Minimum dimensions shown are for the contemporary handle AHD5RDB19(B). Custom door panel and handle details need to be taken into account

**REDUCED INTERNAL ACCESS**

Use hinge limiting pin to restrict door opening to 90° where necessary

Minimum dimensions shown are for the contemporary handle AHD5RDB19(B). Custom door panel and handle details need to be taken into account

**REDUCED INTERNAL ACCESS**

Use hinge limiting pin to restrict door opening to 90° where necessary

Minimum dimensions shown are for the contemporary handle AHD5RDB19(B). Custom door panel and handle details need to be taken into account

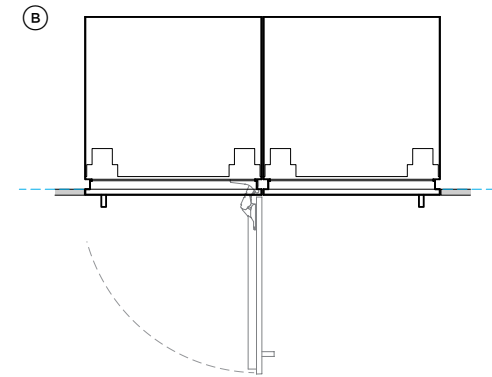
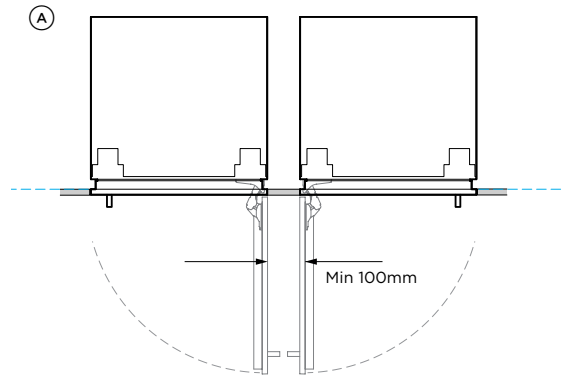
The models shown in this Planning Guide may not be available in all markets and are subject to change at any time. Product specifications may vary from those shown. This Planning Guide should not be used as installation guidance for any product. Further information is required to safely and correctly install the products featured here. Specific installation guidance will be available on our website [fisherpaykel.com](http://fisherpaykel.com)

**HINGE TO HINGE**

Ⓐ Both doors open at the same time - requires space between models

Ⓑ Only allows a single door open at a time

Minimum dimensions shown are for the contemporary handle AHD5RDB19(B). Custom door panel and handle details need to be taken into account



**ADDITIONAL NOTES**

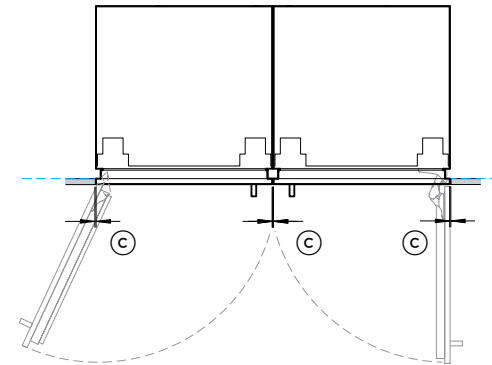
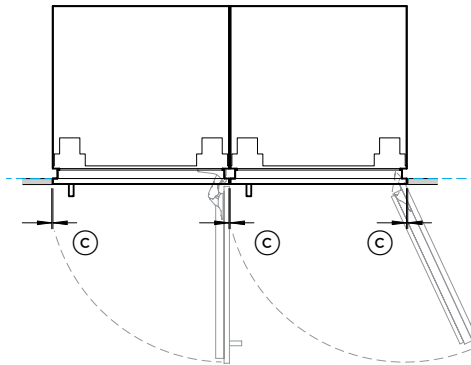
Use hinge limiting pin to restrict door opening to 90° where necessary.

Minimum dimensions shown are for the contemporary handle AHD5RDB19(B). Custom door panel and handle details need to be taken into account.

**DUAL INSTALLATION**

Ⓒ Stainless steel door panels (gaps equalized during installation) - 5mm

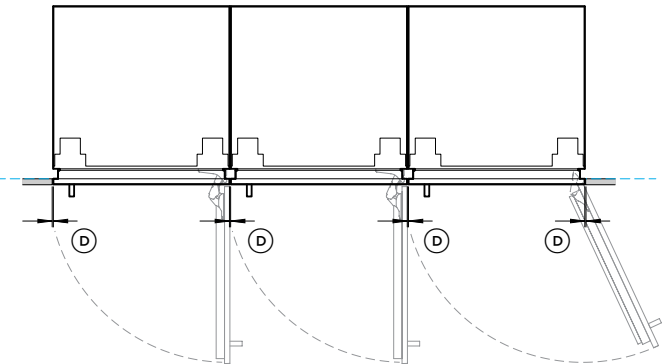
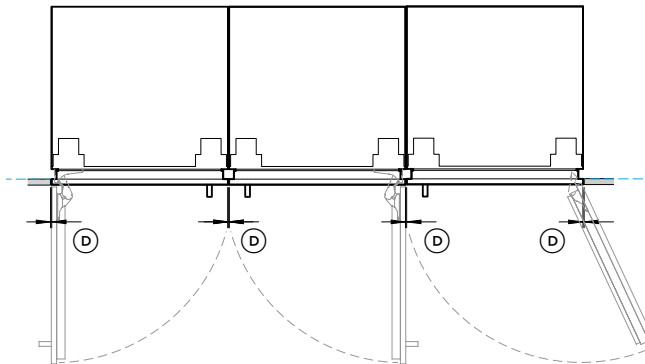
Ⓒ Custom door panels (width of custom door panel increased to maintain 4mm gap across multiple products) - 4mm



**TRIPLE INSTALLATION**

Ⓓ Stainless steel door panels (gaps equalized during installation) - 6mm

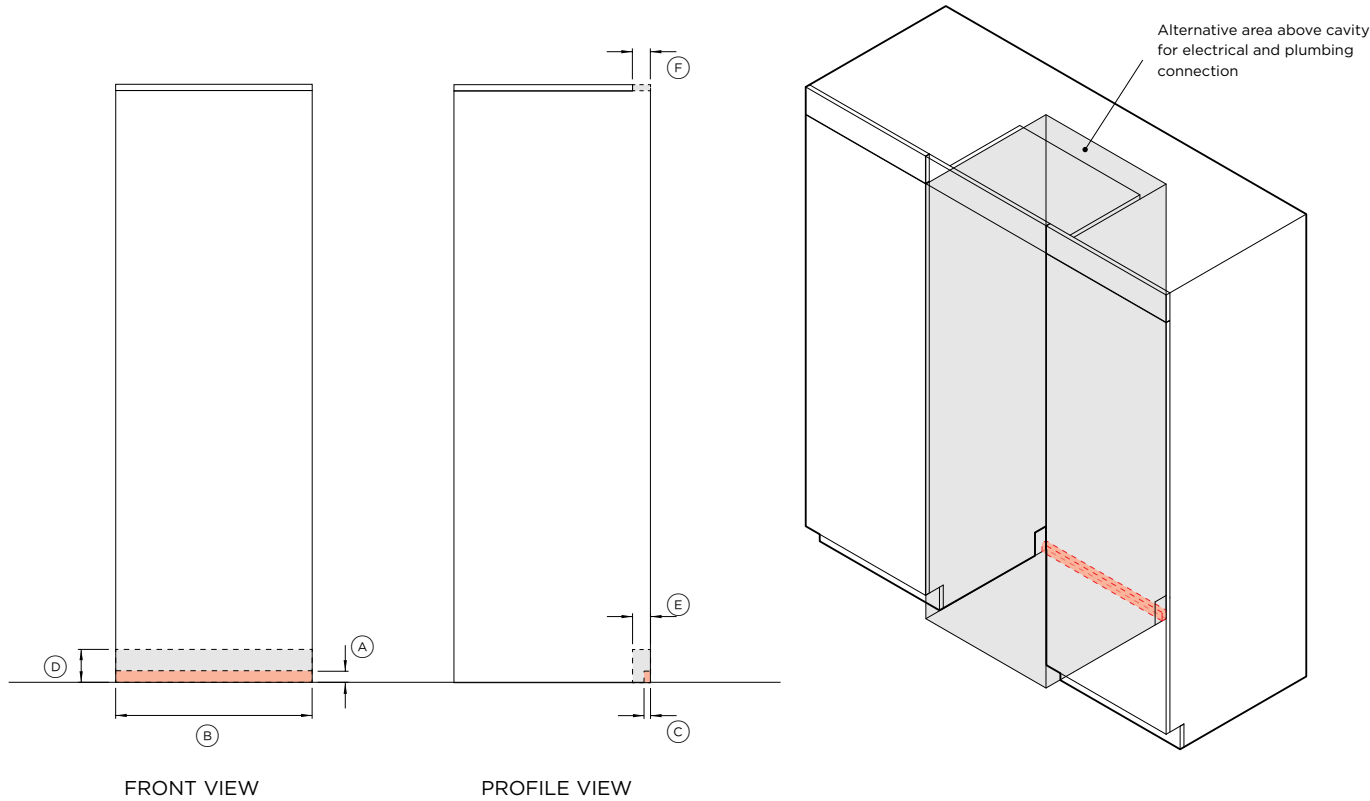
Ⓓ Custom door panels (width of custom door panel increased to maintain 4mm gap across multiple products) - 4mm



The models shown in this Planning Guide may not be available in all markets and are subject to change at any time. Product specifications may vary from those shown. This Planning Guide should not be used as installation guidance for any product. Further information is required to safely and correctly install the products featured here. Specific installation guidance will be available on our website [fisherpaykel.com](http://fisherpaykel.com)

## SERVICES





**LOCATION**

---

Recommended that services are routed to the adjacent cabinet or either side of the product.

**WATER AND ICE**

---

Plumbing is required for models with ice and water.

**SERVICE AREA CLEARANCES**

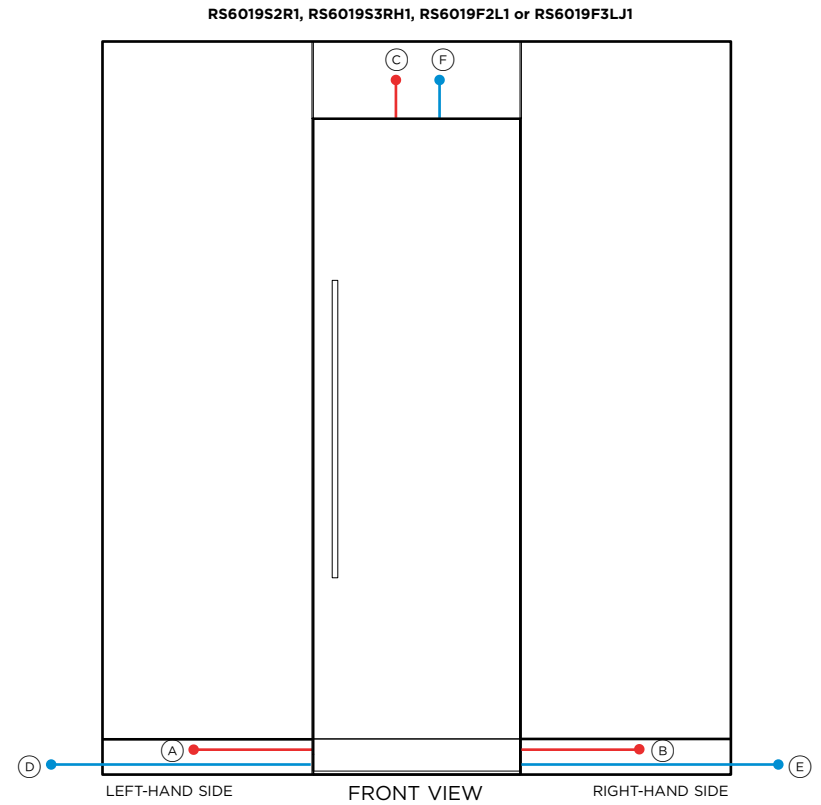
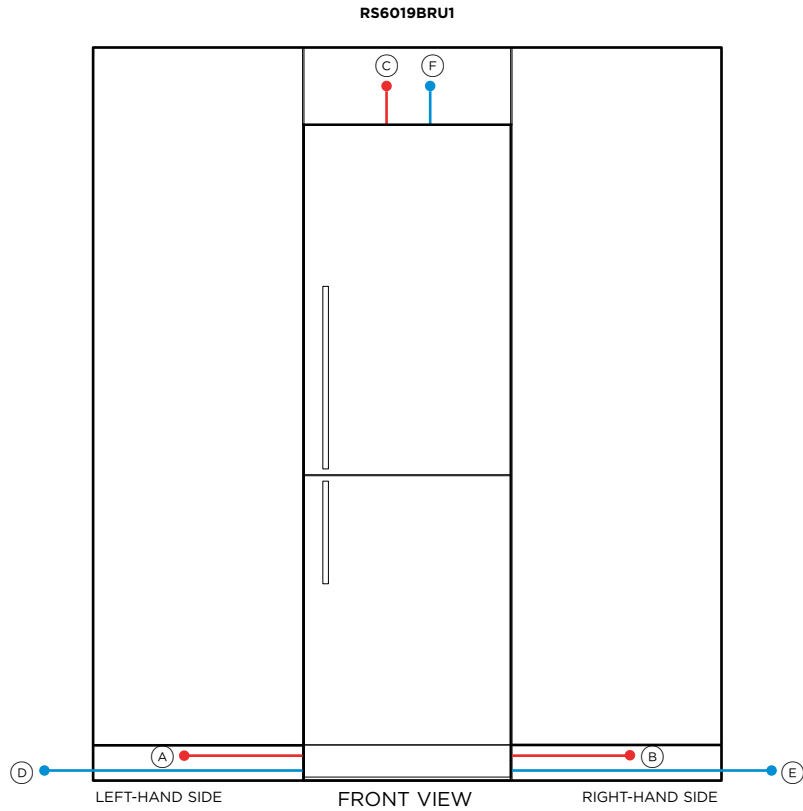
Dimensions	mm
Ⓐ Overall height of supply routing area at rear of cavity	37
Ⓑ Overall width of supply routing area at rear of cavity	600
Ⓒ Overall depth of supply routing area at rear of cavity	20
Ⓓ Height of notch at rear of cavity for services to be routed into adjacent cabinet (either side)	100
Ⓔ Depth of notch at rear of cavity for services to be routed into adjacent cabinet (either side)	55
Ⓕ Minimum depth above cavity for services to be routed through	55

Note: Recommended that services are routed to the adjacent cabinet.

**ELECTRICAL**

Supply	230 V, 50 Hz
Service	10 A
Connection	Flex cord with plug
Plumbing	
Supply UK EU IE SG HK NZ AU	Braided hose, 7/16" x 24 UNS to 3/4" BSP Braided hose, 7 x 16-24 UNS to 1/2" BSP
Pressure	min 275 kPa (40 psi) max 827 kPa (120 psi)

The models shown in this Planning Guide may not be available in all markets and are subject to change at any time. Product specifications may vary from those shown. This Planning Guide should not be used as installation guidance for any product. Further information is required to safely and correctly install the products featured here. Specific installation guidance will be available on our website [fisherpaykel.com](http://fisherpaykel.com)



**HOSE AND CORD LENGTHS**

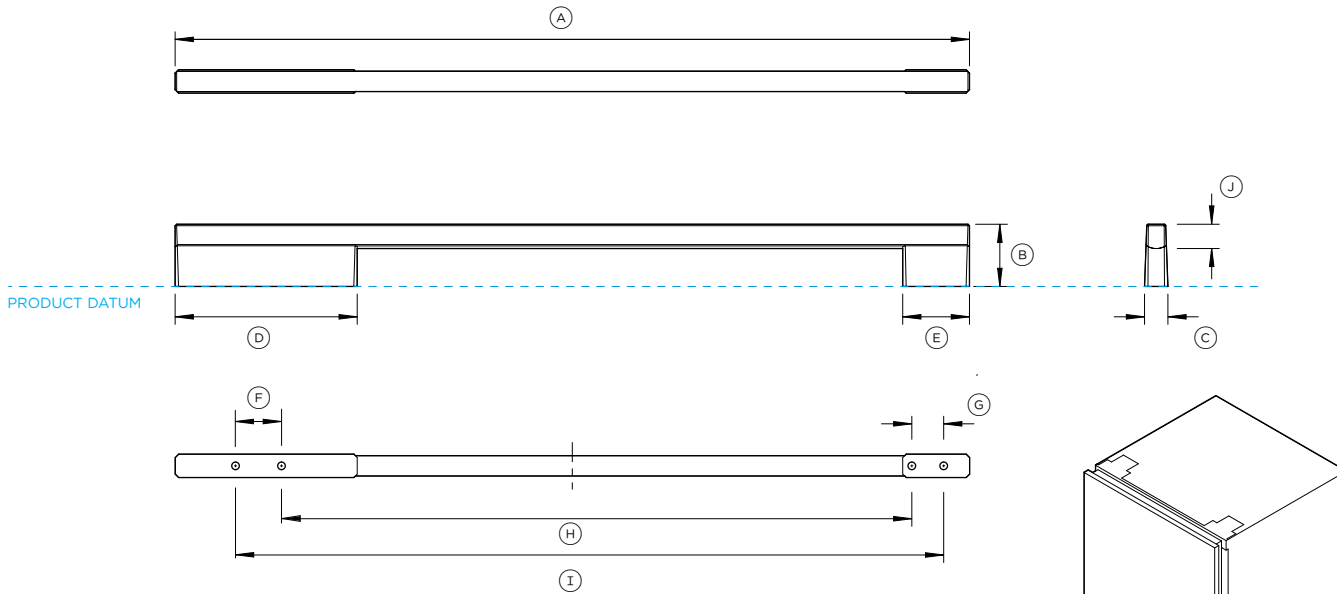
Electrical	mm
Ⓐ Power cord length (from the left edge of the product)*	1800
Ⓑ Power cord length (from the right edge of the product)*	2000
Ⓒ Power cord length (from the top of the product)*	380
Water	
Ⓓ Water inlet hose length (from the left edge of the product)	2450
Ⓔ Water inlet hose length (from the right edge of the product)	2000
Ⓕ Water inlet hose length (from the top of the product)	700

\*Excluding plug

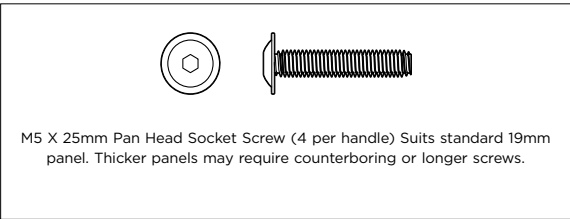
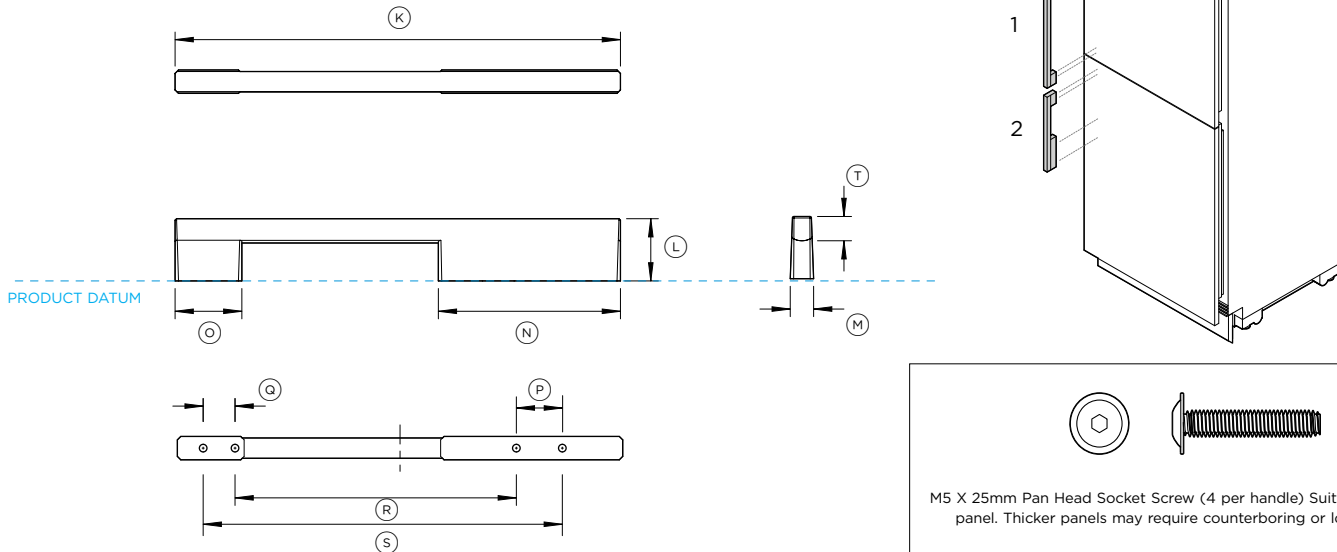
The models shown in this Planning Guide may not be available in all markets and are subject to change at any time. Product specifications may vary from those shown. This Planning Guide should not be used as installation guidance for any product. Further information is required to safely and correctly install the products featured here. Specific installation guidance will be available on our website [fisherpaykel.com](http://fisherpaykel.com)

## HANDLE DATA SHEETS

1 VERTICAL HANDLE TOP DOOR



2 VERTICAL HANDLE BOTTOM DOOR



**Model no:**

Square Fine Aluminium Handle Kit - AHD5RDB19  
 Square Fine Aluminium Handle Black Kit - AHD5RDB19B

**For Model:**

Integrated Refrigerator Freezer, 60cm - RS6019BRU1

**1 Vertical Handle Top Door Dimensions**

	mm
Ⓐ Overall length of handle	524
Ⓑ Overall height of handle	41
Ⓒ Overall width of handle	16
Ⓓ Length of off-stand	120
Ⓔ Length of off-stand	44
Ⓕ Distance between attachment holes	30
Ⓖ Distance between attachment holes	21
Ⓜ Distance between inner attachment holes	395
Ⓣ Distance between outer attachment holes	436
ⓙ Thickness of handle rail	16

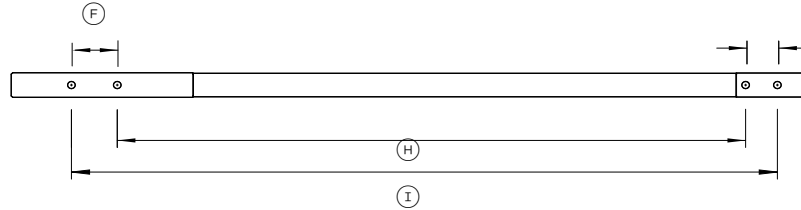
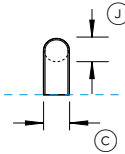
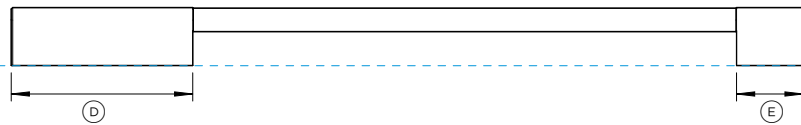
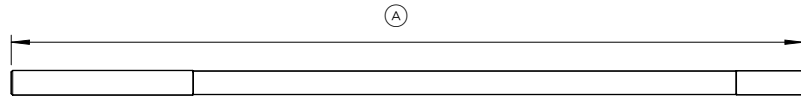
**2 Vertical Handle Bottom Door Dimensions**

	mm
Ⓚ Overall length of handle	294
Ⓛ Overall height of handle	41
Ⓜ Overall width of handle	16
Ⓝ Length of off-stand	120
Ⓞ Length of off-stand	44
Ⓟ Distance between attachment holes	30
Ⓡ Distance between attachment holes	21
Ⓢ Distance between inner attachment holes	185
Ⓣ Distance between outer attachment holes	237
ⓙ Thickness of handle rail	16

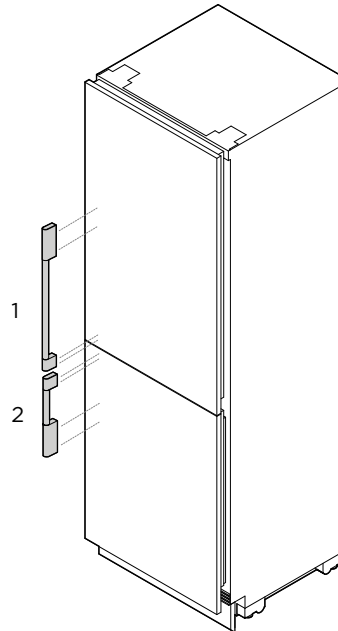
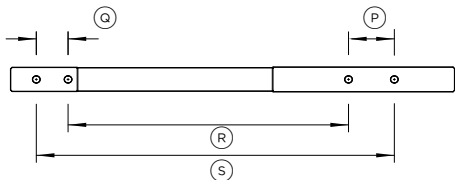
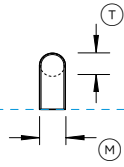
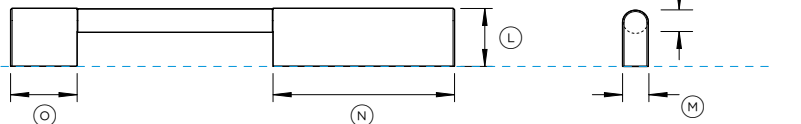
INDICATES PRODUCT DATUM -----  
 INDICATES CABINETRY CLEARANCES - - - - -

**IMPORTANT NOTE:** Throughout this guide, dimensions may vary by ±2mm (1/16"). Please read the Installation Guide for detailed information on installing the product. For full installation instructions visit [fisherpaykel.com](http://fisherpaykel.com)

1 VERTICAL HANDLE TOP DOOR



2 VERTICAL HANDLE BOTTOM DOOR



M5 X 25mm Pan Head Socket Screw (4 per handle) Suits standard 19mm panel. Thicker panels may require counterboring or longer screws.

**Model no:**

Round Handle Kit - AHSRDB19

**For Model:**

Integrated Refrigerator Freezer, 60cm - RS6019BRU1

**1 Vertical Handle Top Door Dimensions**

	<b>mm</b>
Ⓐ Overall length of handle	524
Ⓑ Overall height of handle	41
Ⓒ Overall width of handle	17
Ⓓ Length of off-stand	120
Ⓔ Length of off-stand	44
Ⓕ Distance between attachment holes	30
Ⓖ Distance between attachment holes	21
Ⓜ Distance between inner attachment holes	415
Ⓣ Distance between outer attachment holes	467
Ⓡ Thickness of handle rail	17

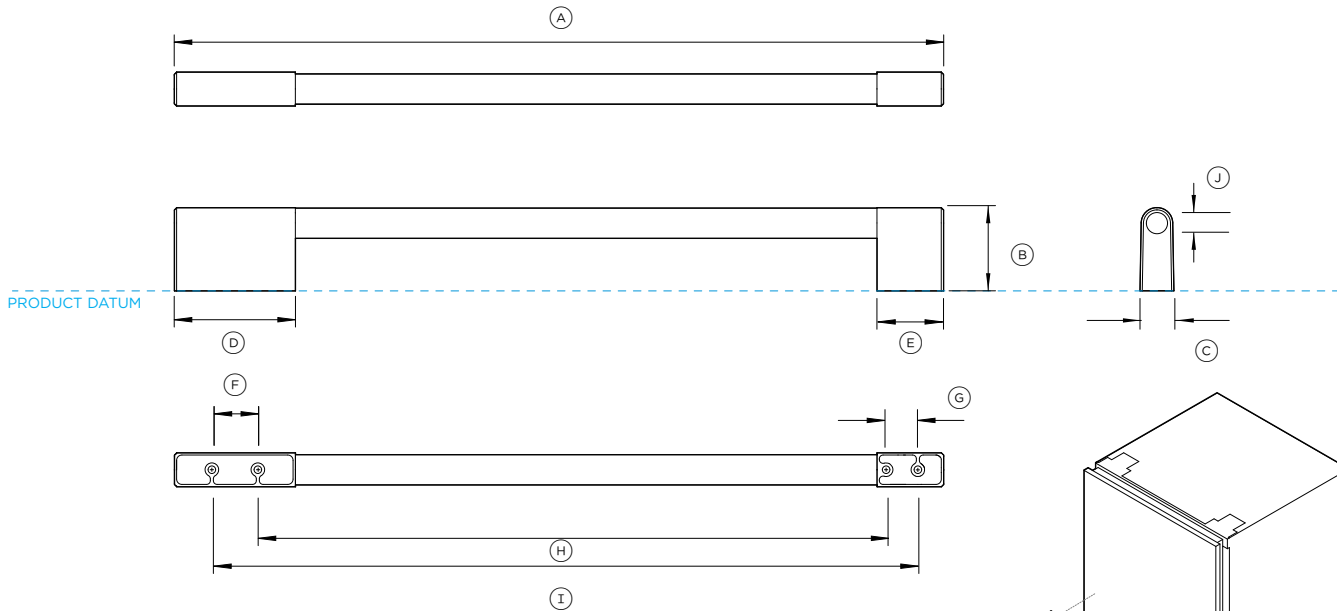
**2 Vertical Handle Bottom Door Dimensions**

	<b>mm</b>
Ⓚ Overall length of handle	294
Ⓛ Overall height of handle	41
Ⓜ Overall width of handle	17
Ⓝ Length of off-stand	120
Ⓞ Length of off-stand	44
Ⓟ Distance between attachment holes	30
Ⓡ Distance between attachment holes	21
Ⓢ Distance between inner attachment holes	185
Ⓣ Distance between outer attachment holes	237
Ⓡ Thickness of handle rail	17

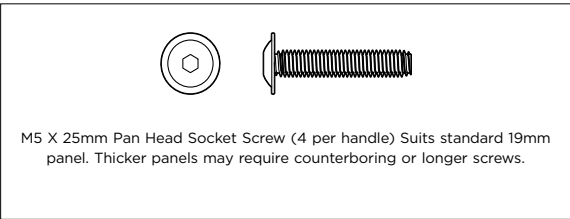
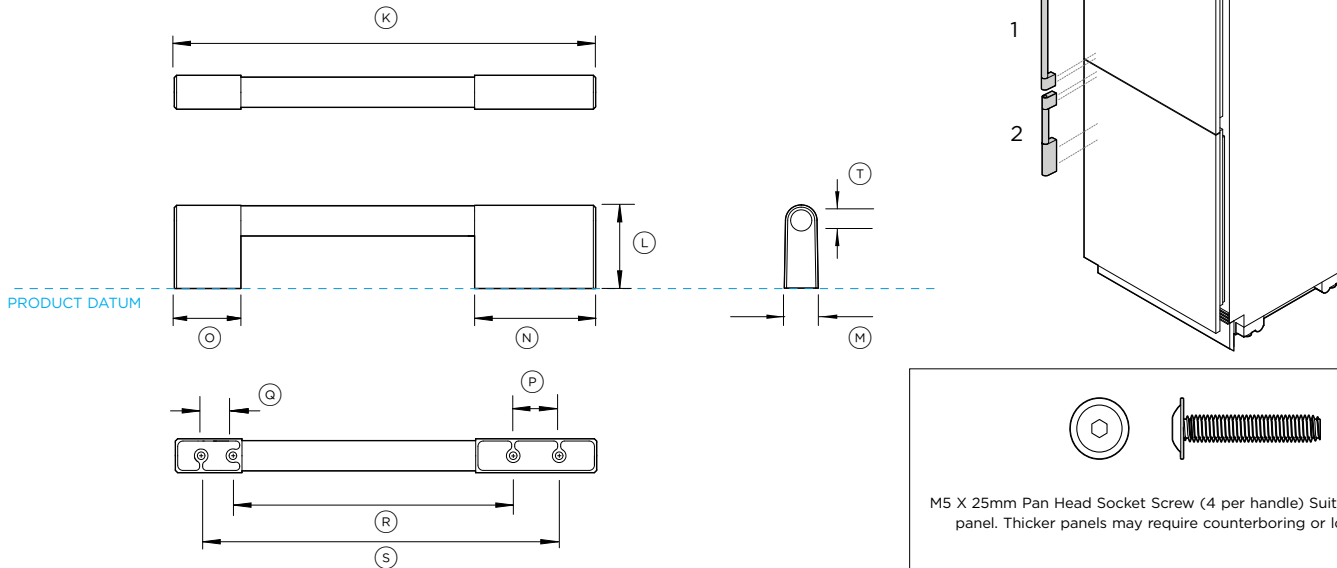
INDICATES PRODUCT DATUM -----  
 INDICATES CABINETRY CLEARANCES - - - - -

**IMPORTANT NOTE:** Throughout this guide, dimensions may vary by ±2mm (1/16"). Please read the Installation Guide for detailed information on installing the product. For full installation instructions visit [fisherpaykel.com](http://fisherpaykel.com)

1 VERTICAL HANDLE TOP DOOR



2 VERTICAL HANDLE BOTTOM DOOR



**Model no:**

Classic Handle Kit- AHCLRDB

**For Model:**

Integrated Refrigerator Freezer, 60cm - RS6019BRU1

**1 Vertical Handle Top Door Dimensions**

	<b>mm</b>
Ⓐ Overall length of handle	524
Ⓑ Overall height of handle	55
Ⓒ Overall width of handle	22
Ⓓ Length of off-stand	80
Ⓔ Length of off-stand	44
Ⓕ Distance between attachment holes	30
Ⓖ Distance between attachment holes	21
Ⓜ Distance between inner attachment holes	415
Ⓣ Distance between outer attachment holes	467
Ⓝ Thickness of handle rail	20

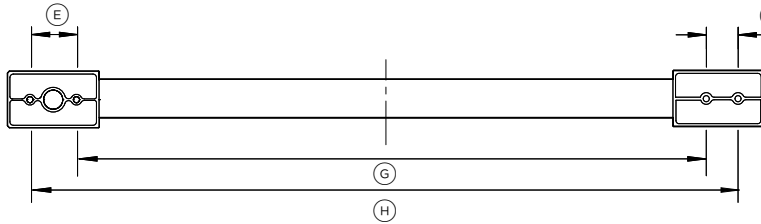
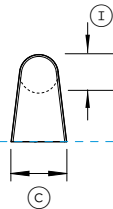
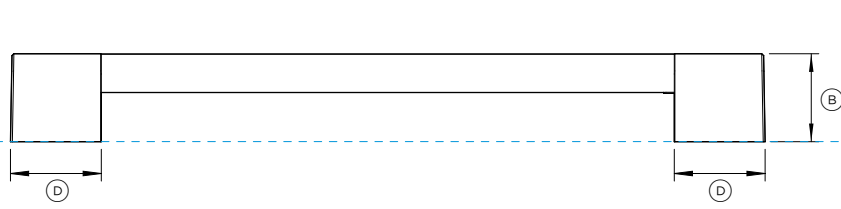
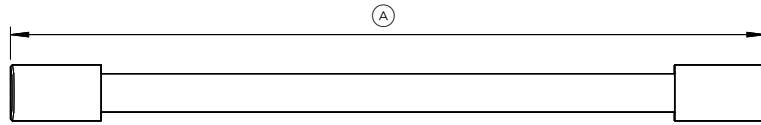
**2 Vertical Handle Bottom Door Dimensions**

	<b>mm</b>
Ⓚ Overall length of handle	294
Ⓛ Overall height of handle	55
Ⓜ Overall width of handle	22
Ⓝ Length of off-stand	80
Ⓞ Length of off-stand	44
Ⓟ Distance between attachment holes	30
Ⓢ Distance between attachment holes	21
Ⓡ Distance between inner attachment holes	185
Ⓣ Distance between outer attachment holes	237
Ⓝ Thickness of handle rail	20

INDICATES PRODUCT DATUM -----  
 INDICATES CABINETRY CLEARANCES - - - - -

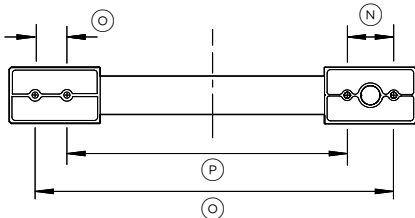
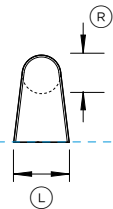
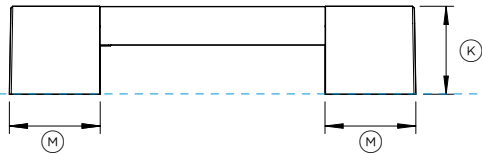
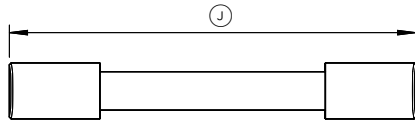
**IMPORTANT NOTE:** Throughout this guide, dimensions may vary by ±2mm (1/16"). Please read the Installation Guide for detailed information on installing the product. For full installation instructions visit [fisherpaykel.com](http://fisherpaykel.com)

1 VERTICAL HANDLE TOP DOOR

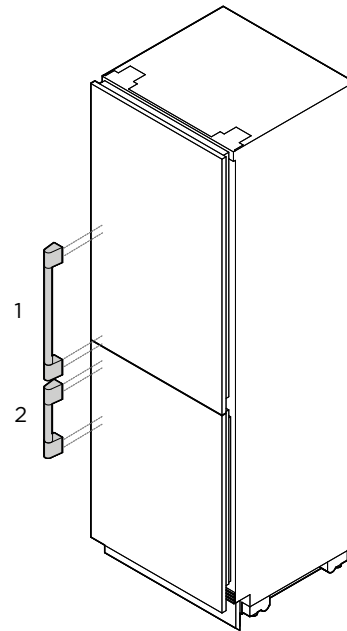


PRODUCT DATUM

2 VERTICAL HANDLE BOTTOM DOOR



PRODUCT DATUM



M5 X 25mm Pan Head Socket Screw (4 per handle) Suits standard 19mm panel. Thicker panels may require counterboring or longer screws.

Model no:

Professional Handle Kit - AHP3RDB19

For Model:

Integrated Refrigerator Freezer, 60cm - RS6019BRU1

1 Vertical Handle Top Door Dimensions

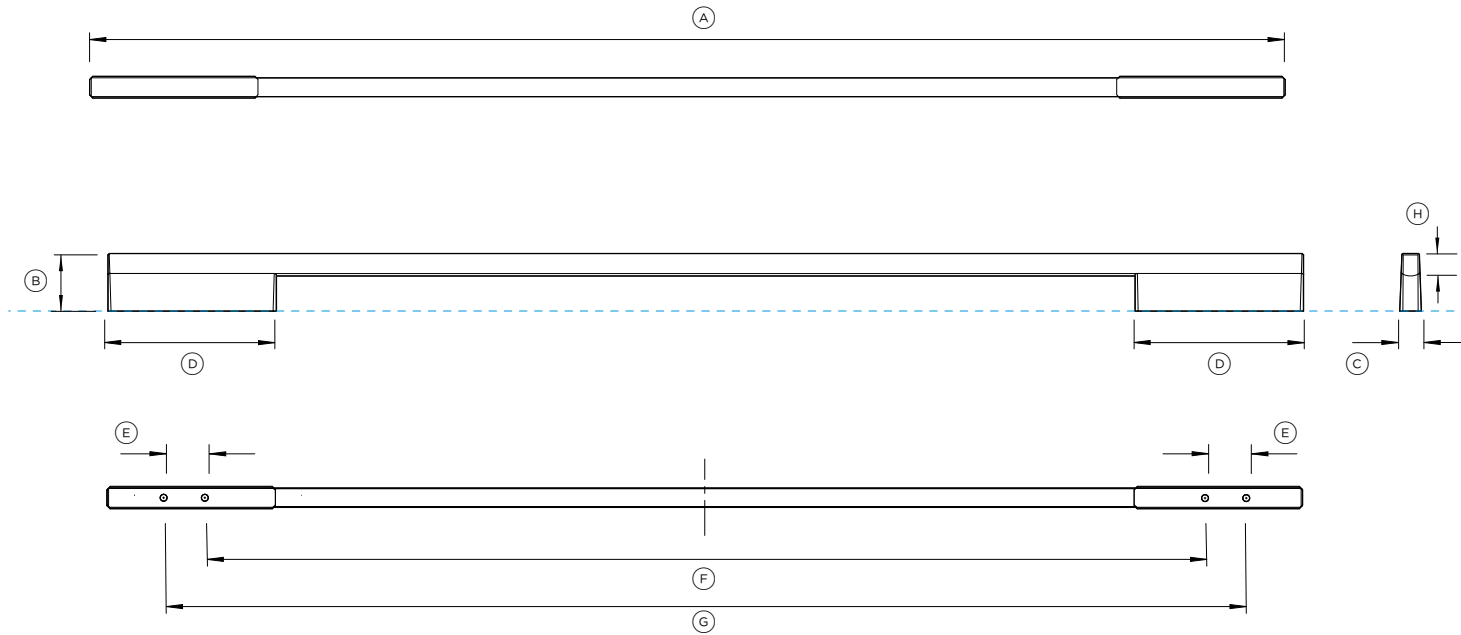
	mm
A Overall length of handle	499
B Overall height of handle	58
C Overall width of handle	37
D Length of off-stand	60
E Distance between attachment holes	30
F Distance between attachment holes	21
G Distance between inner attachment holes	415
H Distance between outer attachment holes	467
I Thickness of handle rail	25

2 Vertical Handle Bottom Door Dimensions

	mm
J Overall length of handle	269
K Overall height of handle	58
L Overall width of handle	37
M Length of off-stand	60
N Distance between attachment holes	30
O Distance between attachment holes	21
P Distance between inner attachment holes	185
Q Distance between outer attachment holes	237
R Thickness of handle rail	25

INDICATES PRODUCT DATUM -----  
 INDICATES CABINETRY CLEARANCES - - - - -

IMPORTANT NOTE: Throughout this guide, dimensions may vary by ±2mm (1/16"). Please read the Installation Guide for detailed information on installing the product. For full installation instructions visit [fisherpaykel.com](http://fisherpaykel.com)



**Model no:**

Square Fine Aluminium Handle - AHD5RDSF  
 Square Fine Aluminium Handle Black - AHD5RDSFB

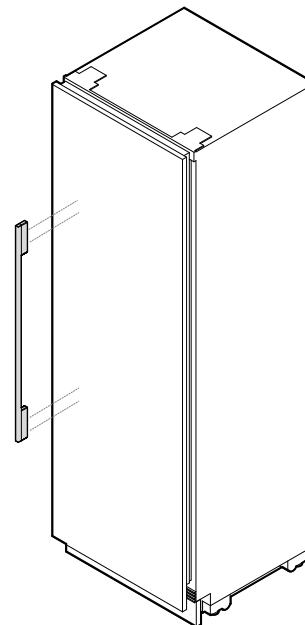
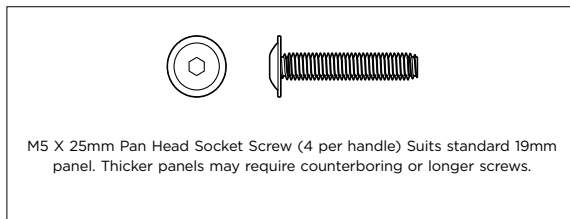
**For Model:**

Integrated Refrigerator - RS6019S2R1, RS6019S3RH1

Integrated Freezer - RS6019F2L1, RS6019F3LJ1

**Handle Dimensions**

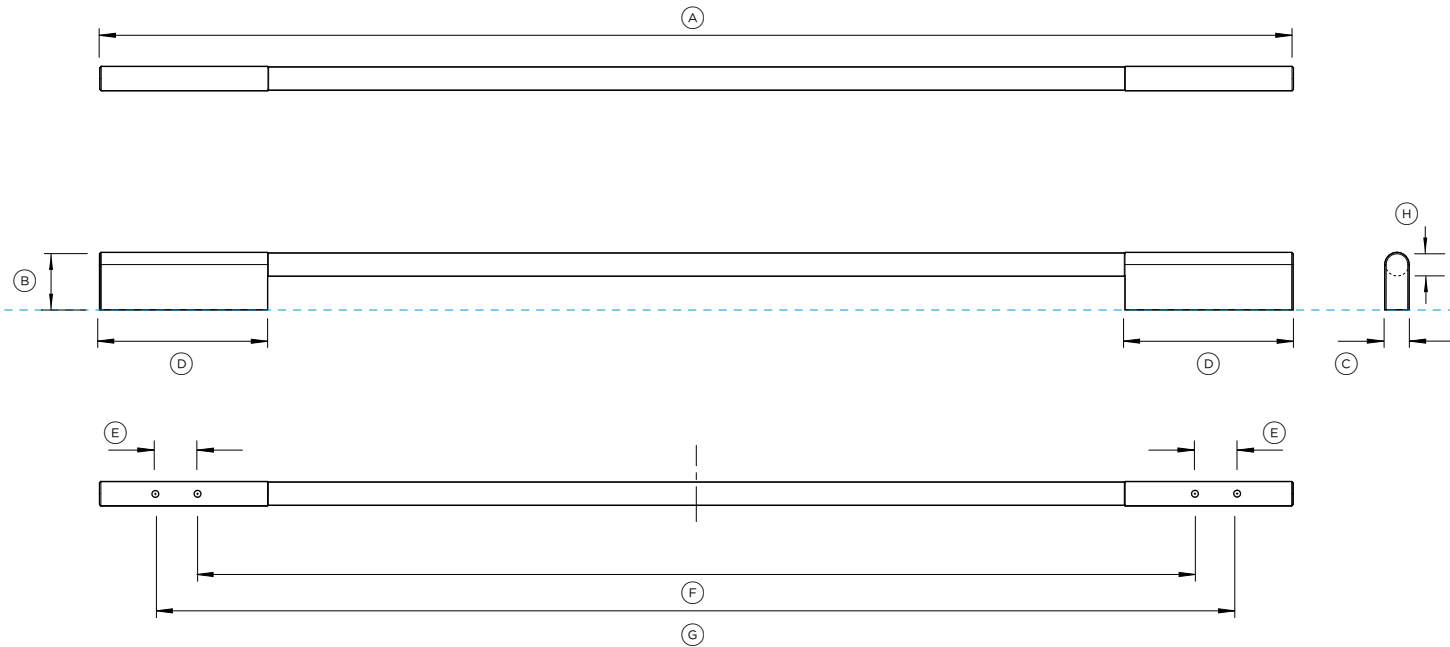
	<b>mm</b>
A Overall length of handle	852
B Overall height of handle	41
C Overall width of handle	15
D Length of off-stand	120
E Distance between attachment holes	30
F Distance between inner attachment holes	712
G Distance between outer attachment holes	773
H Thickness of handle rail	16



INDICATES PRODUCT DATUM -----  
 INDICATES CABINETRY CLEARANCES - - - - -

IMPORTANT NOTE: Throughout this guide, dimensions may vary by ±2mm (1/16"). Please read the Installation Guide for detailed information on installing the product. For full installation instructions visit [fisherpaykel.com](http://fisherpaykel.com)





**Model no:**

Round Handle - AHSRDSF

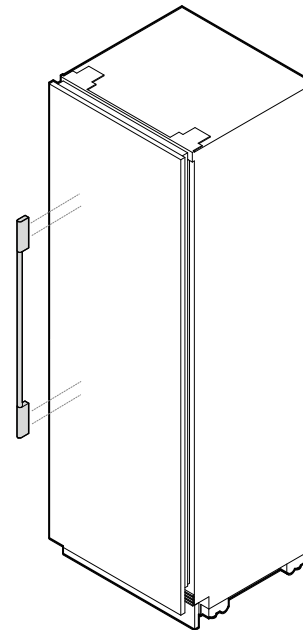
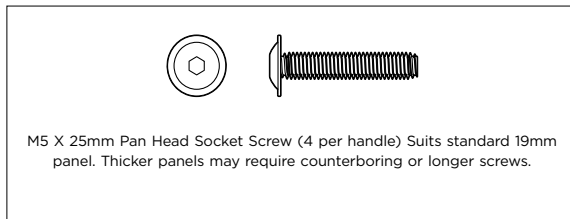
For Model:

Integrated Refrigerator - RS6019S2R1, RS6019S3RH1

Integrated Freezer - RS6019F2L1, RS6019F3LJ1

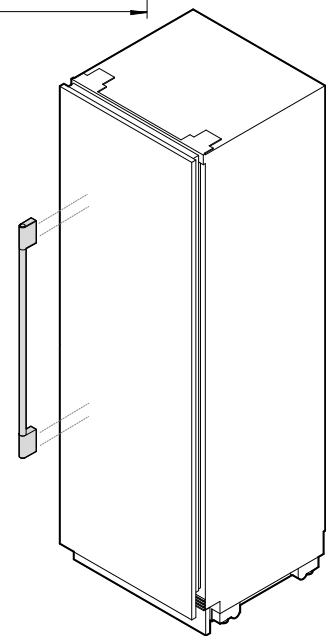
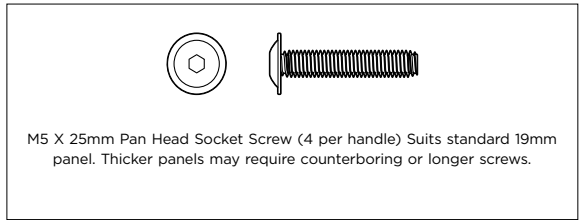
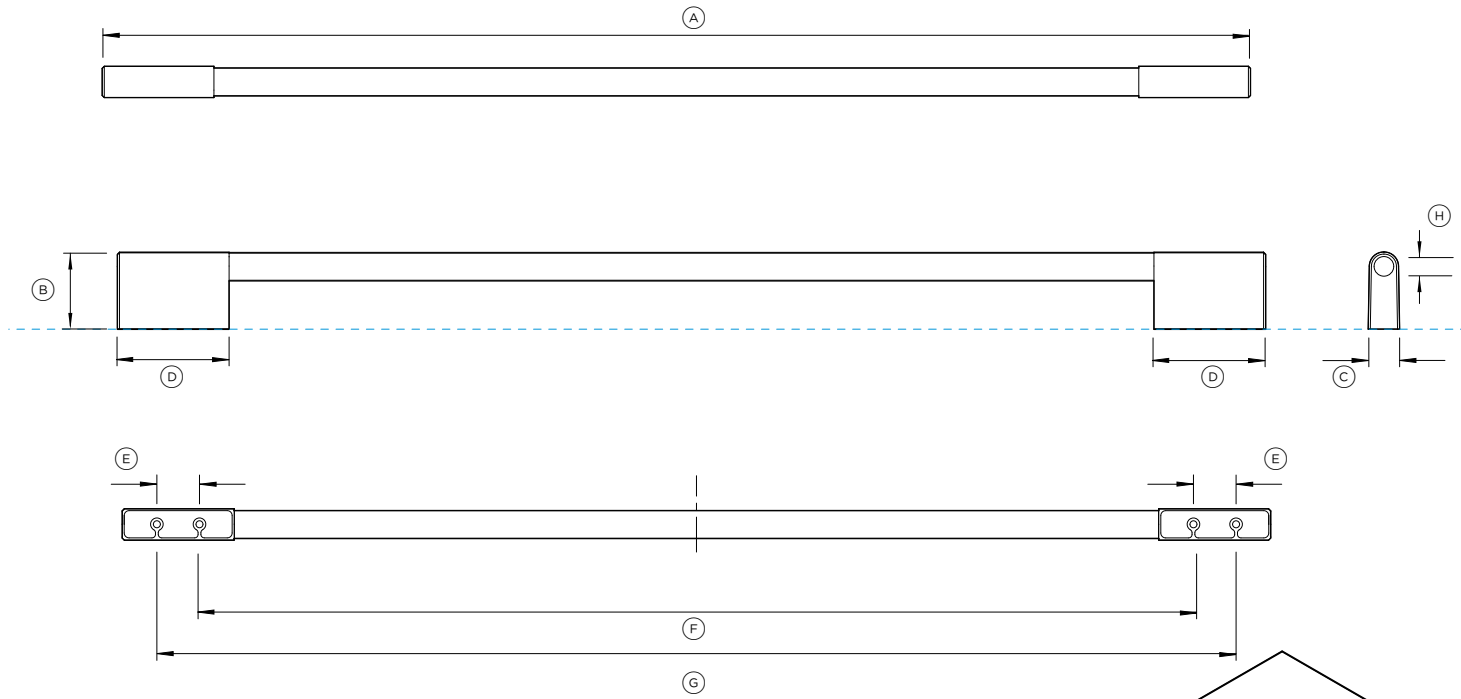
**Handle Dimensions**

	<b>mm</b>
Ⓐ Overall length of handle	852
Ⓑ Overall height of handle	41
Ⓒ Overall width of handle	17
Ⓓ Length of off-stand	120
Ⓔ Distance between attachment holes	30
Ⓕ Distance between inner attachment holes	712
Ⓖ Distance between outer attachment holes	773
ⓓ Thickness of handle rail	17



INDICATES PRODUCT DATUM -----  
 INDICATES CABINETRY CLEARANCES - - - - -

IMPORTANT NOTE: Throughout this guide, dimensions may vary by ±2mm (1/16"). Please read the Installation Guide for detailed information on installing the product. For full installation instructions visit [fisherpaykel.com](http://fisherpaykel.com)



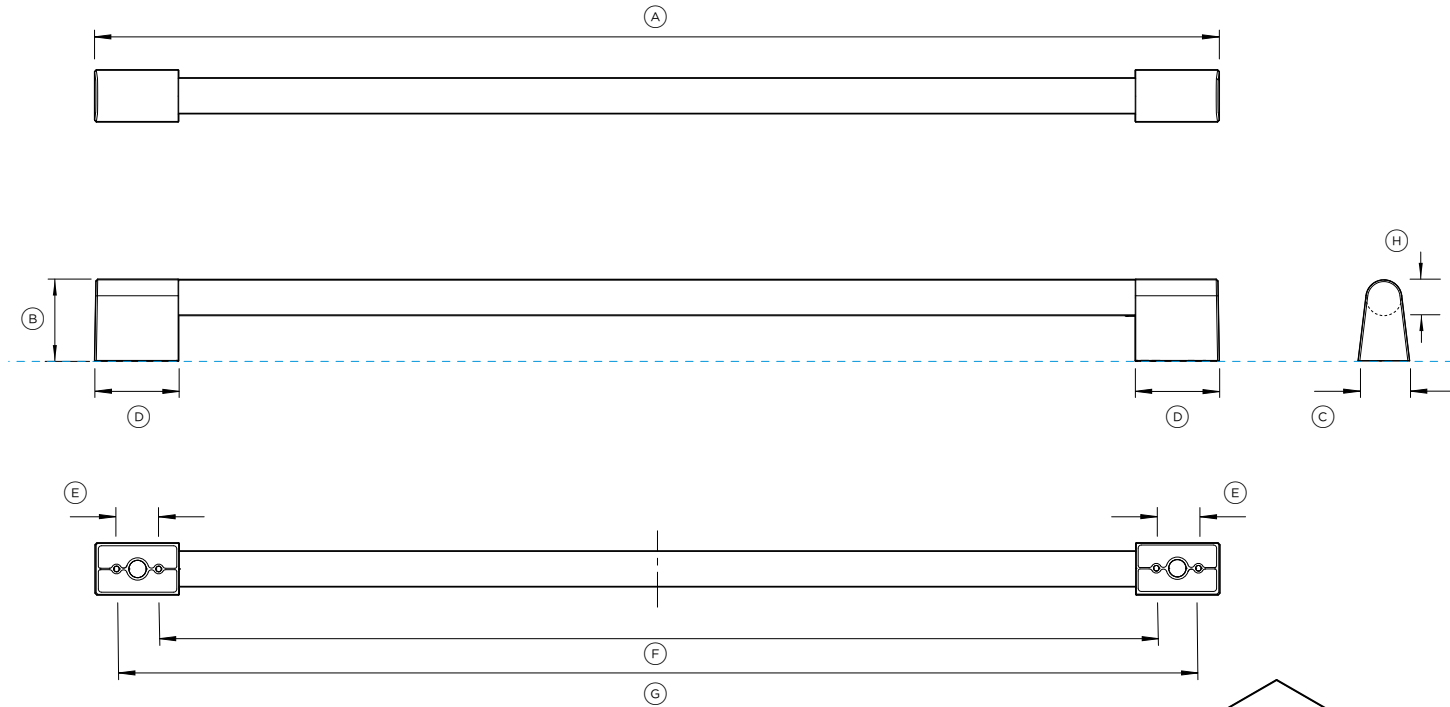
**Model no:**  
 Classic Handle - AHCLRDSF

For Model:  
 Integrated Refrigerator - RS6019S2R1, RS6019S3RH1  
 Integrated Freezer - RS6019F2L1, RS6019F3LJ1

Handle Dimensions	mm
A Overall length of handle	852
B Overall height of handle	55
C Overall width of handle	22
D Length of off-stand	80
E Distance between attachment holes	30
F Distance between inner attachment holes	712
G Distance between outer attachment holes	773
H Thickness of handle rail	20

INDICATES PRODUCT DATUM -----  
 INDICATES CABINETRY CLEARANCES -----

IMPORTANT NOTE: Throughout this guide, dimensions may vary by ±2mm (1/16"). Please read the Installation Guide for detailed information on installing the product. For full installation instructions visit [fisherpaykel.com](http://fisherpaykel.com)



**Model no:**

Professional Handle - AHP3RDSF

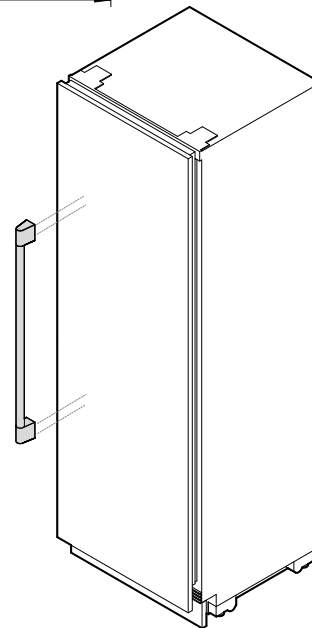
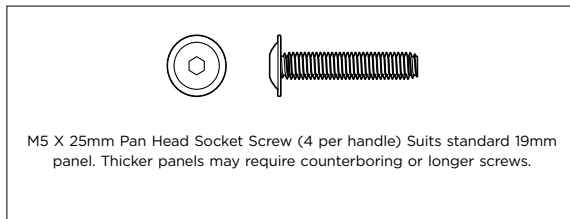
**For Model:**

Integrated Refrigerator - RS6019S2R1, RS6019S3RH1

Integrated Freezer - RS6019F2L1, RS6019F3LJ1

**Handle Dimensions**

	mm
A Overall length of handle	802
B Overall height of handle	58
C Overall width of handle	37
D Length of off-stand	60
E Distance between attachment holes	30
F Distance between inner attachment holes	712
G Distance between outer attachment holes	773
H Thickness of handle rail	25



INDICATES PRODUCT DATUM -----  
 INDICATES CABINETRY CLEARANCES -----

IMPORTANT NOTE: Throughout this guide, dimensions may vary by ±2mm (1/16"). Please read the Installation Guide for detailed information on installing the product. For full installation instructions visit [fisherpaykel.com](http://fisherpaykel.com)

