

FISHER & PAYKEL

SPECIFICATION GUIDE

DOUBLE OVEN, 30", SELF-CLEANING



OVERVIEW

Complete your Professional-style kitchen with this 30" Double Oven. It matches perfectly with any of our Professional kitchen appliances to deliver the feel of a commercial kitchen in the home. Intuitive controls and the performance to deliver perfect results make this double oven beautiful to use.

MODELS

Double Oven, 30", 17 Function

4.1 cu ft + 4.1 cu ft, Stainless Steel, Touchscreen
OB30DPPTX1

SERIES & STYLE

Series 9
Professional

FEATURES

- ① Designed to fit flush with cabinetry
- ② Designed to match the rest of Fisher & Paykel's Professional style family of appliances
- ③ Generous 4.1 cu ft total capacity per oven
- ④ High-resolution, user-friendly touch display
- ⑤ Guided cooking and recipes
- ⑥ Perfect results from a variety of oven functions
- ⑦ Even heat distribution throughout with AeroTech™ technology
- ⑧ Self-cleaning
- ⑨ CoolTouch door

ACCESSORIES

- ① Full-extension sliding shelves
- ② Self-cleaning-proof side racks
- ③ Roasting dish, tray and rack
- ④ Food probe

FISHER & PAYKEL

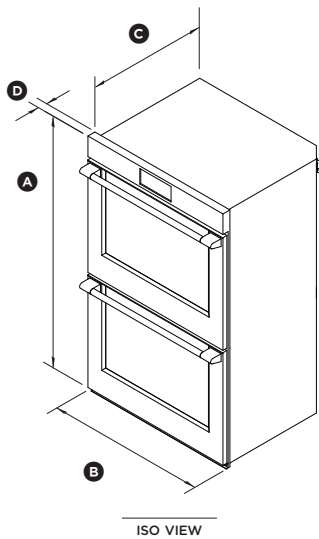
SPECIFICATION GUIDE

DOUBLE OVEN, 30", SELF-CLEANING

SPECIFICATIONS

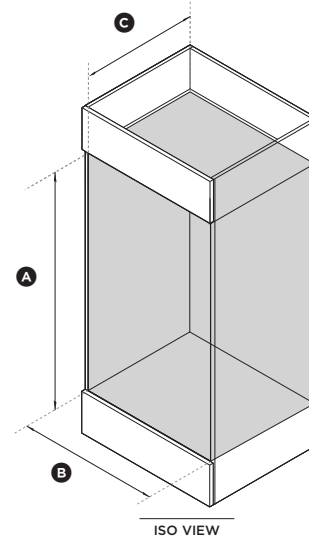
Model No.	OB30DPPTX1
Dimensions	H 48 1/2" (1232mm) x W 29 13/16" (757mm) x D 23 15/16" (608mm)
Total capacity	4.1 cu ft (116L) per oven
Weight	405lb (184kg)
Electrical	
Supply	208-240VAC, 60Hz
Service	33.2-38.3-amp circuit

PRODUCT DIMENSIONS



		in	mm
Ⓐ	Overall height	48 1/2	1232
Ⓑ	Overall width	29 13/16	757
Ⓒ	Depth of chassis	22 7/16	569
Ⓓ	Depth of oven chassis and front frame (excl. dials, handle and front black stainless trim)	1 9/16	39
	Depth of upper door when fully open (measured from front of control panel)	21 11/16	550
	Depth of lower door when fully open (measured from front of control panel)	20 7/8	530

CAVITY DIMENSIONS: STANDARD INSTALLATION



		in	mm
Ⓐ	Minimum inside height of cavity	48 3/16	1224
Ⓑ	Minimum inside width of cavity	28 1/2	724
Ⓒ	Minimum inside depth of cavity		
	• proud install	22 5/8"	575
	• flush install	24 3/16"	614