

FISHER & PAYKEL

INTEGRATED COLUMNS WINE CABINET

RS6121VL2K1 & RS6121VR2K1
models

INSTALLATION GUIDE

NZ AU GB IE SG HK

863021A 11.19

CONTENTS

SAFETY AND WARNINGS	4	INSTALL DOOR PANEL	33
INTEGRATED COLUMNS — WINE CABINET COMPONENTS	5	Hanging door panel	33
DOOR PANEL AND HANDLE SETS	6	Adjusting door panel	34
WINE DISPLAY ACCESSORIES	8	INSTALL TOE KICK MOUNTING PLATE	35
TOOLS	9	Adjusting toe kick grille	35
APPLIANCE DIMENSIONS	10	Installing toe kick mounting plate	35
CAVITY DIMENSIONS	11	INSTALL TOE KICK AND GRILLES	36
DOOR PANEL DIMENSIONS	13	Installing toe kick	36
TOE KICK PANEL DIMENSIONS	14	Attaching top and bottom grilles	36
CUSTOM DOOR PANEL DIMENSIONS	15	INSTALL CABINET TRIMS	37
DOOR CLEARANCE	16	Re-installing top trim	37
ELECTRICAL DIMENSIONS	17	Re-installing flow divider	37
ELECTRICAL SPECIFICATIONS	18	Installing side trims	38
BEFORE INSTALLATION	19	INSTALL DOOR TRIMS	39
Check your appliance	19	WINE DISPLAY	40
Move your appliance	19	OPTIONAL — CHANGE DOOR HINGES	41
Check the installation location	20	Removing the door	41
INSTALL ANTI-TIP BRACKET	21	Removing top door hinge	42
CONNECT TO POWER SUPPLY	22	Removing bottom door hinge	42
ATTACH DEPTH ALIGNMENT GAUGES	23	Moving the sensor housing	43
POSITION APPLIANCE INSIDE THE CABINETY	24	Top hinge installation	44
Attach barbed plugs	24	Bottom hinge installation	44
ALIGN APPLIANCE INSIDE THE CABINETY	25	Door brackets	45
Align depth gauges with cabinetry	25	Door installation	46
Adjusting appliance inside the cabinetry	26	FINAL CHECKLIST	47
FIX APPLIANCE INSIDE THE CABINETY	27		
INSTALL CARBON FILTER	28		
PREPARE FOR DOOR PANEL INSTALLATION	29		
Removing hanging bracket	29		
Attaching door handle	30		
Attaching hanging bracket and side brackets	30		
Attaching long glass trims	31		
Attaching short glass trims	32		

IMPORTANT!

SAVE THESE INSTRUCTIONS

The models shown in this installation guide may not be available in all markets and are subject to change at any time. For current details about model and specification availability in your country, go to our website fisherpaykel.com or contact your local Fisher & Paykel dealer.

⚠ WARNING!



Electric Shock Hazard
Read and follow the safety and warnings outlined in this installation guide before operating this appliance.
Failure to do so can result in death, electric shock, fire or injury to persons.

⚠ WARNING!



Cut Hazard
Take care — panel edges are sharp.
Failure to use caution could result in injury or cuts.

⚠ WARNING!



This appliance is top-heavy and must be secured to prevent the possibility of tipping forward.
To ensure that the appliance is stable under all loading conditions, the anti-tip bracket and fittings supplied must be installed according to the following installation steps by a professional installer.

IMPORTANT SAFETY INSTRUCTIONS

BEFORE INSTALLATION

- The appliance has front and rear rollers for moving the appliance forward and backward. Do not move the appliance sideways to avoid damaging the rollers or the floor covering/surface.
- Ensure your appliance is not exposed to any heat generating appliance eg cooktop, oven or dishwasher.
- The appliance must be installed by a qualified installer, or Fisher & Paykel trained and supported service technician to avoid faulty electrical connection.
- All connections for electrical power and earthing must comply with local codes and ordinances and be made by licensed personnel when required.
- Avoid installation of the appliance/s under a ground fault circuit interrupter (GFCI).
- Ensure the appliance is installed properly. Improper installation that results in appliance failure is not covered under the appliance warranty.

UNPACKING

- The appliance is heavy (including packaging — 302lb/137kg) and requires at least two persons to move and install. Avoid scratching the surface of your appliance when moving or installing.
- Keep the appliance stable and door closed to prevent tipping over when moving to installation location.
- Ensure feet of the appliance are retracted before moving to installation location.
- If appliance is damaged, contact your Fisher & Paykel dealer.
- Check all components and accessories are complete. Refer to 'Components' page.
- Record the model and registration numbers for future servicing or repair of your appliance.

ELECTRICAL

- Electrical connection for these appliances must be located in an adjacent area or unit (cabinet or cupboard) that is easily accessible in case of repair or disconnection.
- Once installed, the service technician will NOT remove the appliance from the cavity to gain access for repair.

WARNING!

- Electric shock hazard! Assume all parts live.
- Disconnect supply before servicing and installation.

SAFETY AND WARNINGS

INSTALLATION

Cavity preparation

- The anti-tip bracket and fittings supplied must be fitted to the wall of the finished enclosure to withstand a 225lb/100kg load.
- Ensure that the anti-tip bracket is installed correctly to prevent the possibility of the appliance tipping forward when the door is open.

Positioning inside the cabinetry

- DO NOT attempt to open the door until the appliance is fully installed.
- Ensure the door of the appliance is closed when rolling into the cabinetry.
- Ensure the power cord is not run over or damaged when rolling the product into the cabinetry.

Aligning inside the cabinetry

- Ensure the doors are in line with the cabinetry front and the appliance is centred.
- All four corners of the appliance must be supported firmly onto the floor to eliminate any movement. Installing the appliance on a soft, uneven, or not level floor may cause twisting and poor door sealing.

Fixing inside the cabinetry

- Use low speed, low torque setting when using a powered driver for the screws when fixing or aligning the product.
- Make sure to remove the depth alignment brackets before fixing the appliance inside the cabinetry.
- Open the appliance door to remove the alignment brackets from both sides of the appliance, and then re-tighten the screws.

Door panel installation

Stainless steel

- Protect the finish of the Fisher & Paykel Stainless Steel door panels from any scratch or damage.
- Leave the protective film on the panels when hanging and remove the film only when the installation is complete.

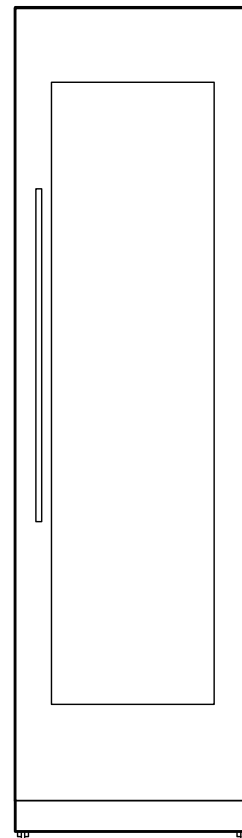
Custom

- If using Custom door panels, ensure they are prepared as per 'Custom door panel dimensions' section.
- Ensure the screw pilot holes do not penetrate the full depth of the panel.
- Do not place the handle holes in marked areas to avoid clashing with panel attachment brackets.
- Minimum panel thickness where screw hole is drilled must be 16mm.

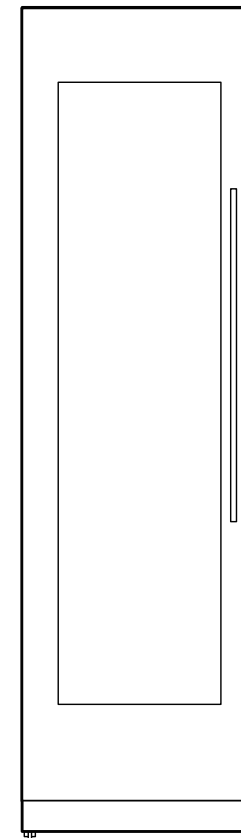
Door hinge change

- Door hinges are interchangeable for each model. A hinge change kit is available and can be purchased separately if you prefer to change from 'right hand hinge' to 'left hand hinge' or vice versa.

INTEGRATED COLUMNS – WINE CABINET



RS6121VR2K1



RS6121VL2K1

COMPONENTS

Installation kit (Internal box)

Supplied with appliance

Door panel attachment kit



Side bracket
(6)



Bracket slider
(6)



Side spacer bracket
(6)

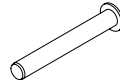


For SS door panels:
8Gx16 Mush washer screw (30)



For Custom door panels:
M5x12 Cross-head screw (30)

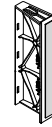
Miscellaneous components



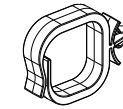
Hinge limiting pin
(3)



Air toe kick seal
(1)

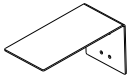


Flow divider cap
(1)



Locking clip
(2)

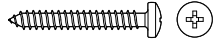
Anti-tip bracket assembly kit



Anti-tip bracket
(1)

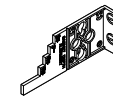


Masonry plug
(4)

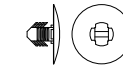


10-12x35mm cross-head screw
(5)

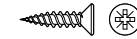
Install fasteners kit



Depth alignment gauge
(4)



Barbed plug
(2)



8Gx16 Countersunk screw
(7)

COMPONENTS

Miscellaneous items (MI) pack

Supplied with appliance



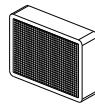
User guide
(1)



Service & Warranty
(1)



Installation guide
(1)



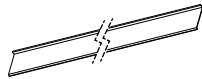
Air carbon filters
#862755
(2)

Install parts (External box)

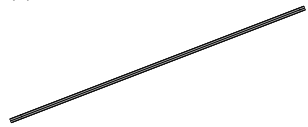
Supplied with appliance



Door panel side extrusion
(2)



Cabinet side trim assembly
(1)



Long glass trim (2)



Short glass trim (2)

Toe kick install kit

Not supplied and must be purchased separately

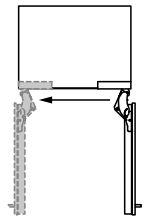
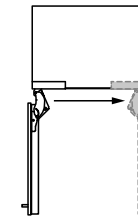


Toe kick
(1)

- Standard toe kick height is 102mm for standard stainless steel door panel.
- For Custom door panel installation, a toe kick 2"–6" (50-152mm) must be fitted and adjusted accordingly.
- An extra bottom grille is required for a 2" (50mm) toe kick installation. You can purchase the extra bottom grille (Part No. 847542P) online at fisherpaykel.com.

Hinge change kit (Optional)

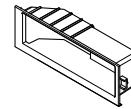
Not supplied and must be purchased separately



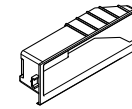
MODEL	LEFT HINGE TO RIGHT HINGE	RIGHT HINGE TO LEFT HINGE
RS61	848188	848187

Each kit includes: Hinge change assembly (1x), Top (fixed) grille assembly (1x)

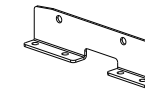
Hinge change assembly



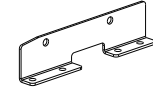
Hinge top pocket RH (2)



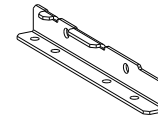
Hinge top pocket LH (2)



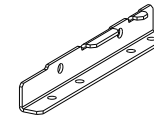
K05 top adaptor bracket RH (1)



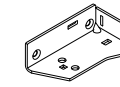
K05 top adaptor bracket LH (1)



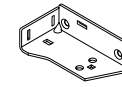
Bottom adaptor bracket RH (1)



Bottom adaptor bracket LH (1)

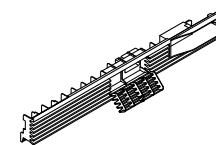


Bottom hinge bracket RH(1)



Bottom hinge bracket LH (1)

Top grille assembly



Top (fixed) grille
(1)

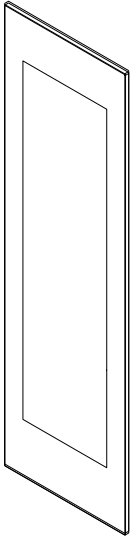
DOOR PANEL AND HANDLE SETS

Door panel set

Not supplied and must be purchased separately

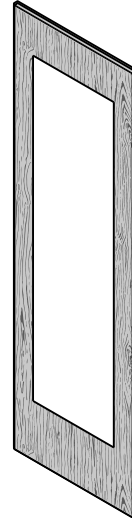
Stainless steel door panel set:

(Fisher & Paykel)



Custom door panel set:

Supplied by customers to match their cabinetry.

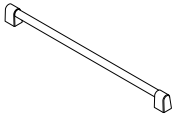


Custom Door Panel must leave glass pane visible.
A full custom panel sheathing over the glass pane does not meet the specifications of this appliance.

Door handle set

Not supplied and must be purchased separately. Select between the options below:

Professional round handle kit (CA: 24980)

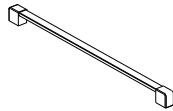


Professional round door handle (1)



M5x25 Hex screw (4)

Professional square handle kit (CA: 24982)

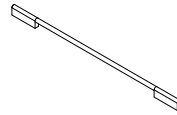


Professional square door handle (1)



M5x25 Hex screw (4)

Contemporary round handle kit (CA: 24981)

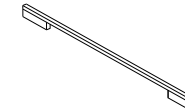


Contemporary round door handle (1)



M5x25 Hex screw (4)

Contemporary square handle kit (CA: 24979)



Contemporary square door handle (1)



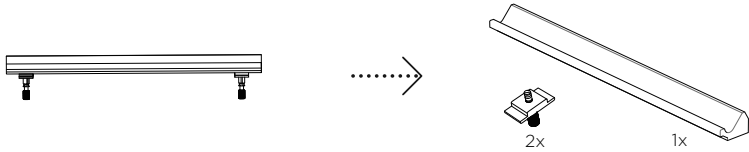
M5x25 Hex screw (4)

WINE DISPLAY ACCESSORIES

IMPORTANT!

Wine display accessories are not supplied with the appliance. A wine display kit and a label kit are sold separately and can be purchased online at fisherpaykel.com.

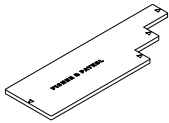
Wine display kit



Handle assembly (1)



Cradle assembly (4)



Spacer (1)

Wine label kit



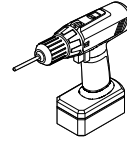
Label (14)

Pencil (1)

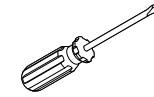
TOOLS

Required tools

Not supplied



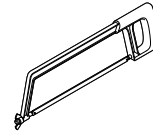
Powered driver



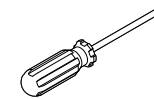
Flathead screwdriver



Ruler



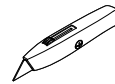
Hacksaw



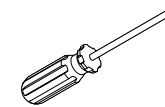
Cross-head screwdriver



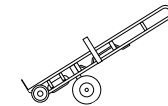
Pencil



Cutter



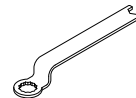
T2 star-head screwdriver



Hand truck

Supplied tools

Included in installation kit

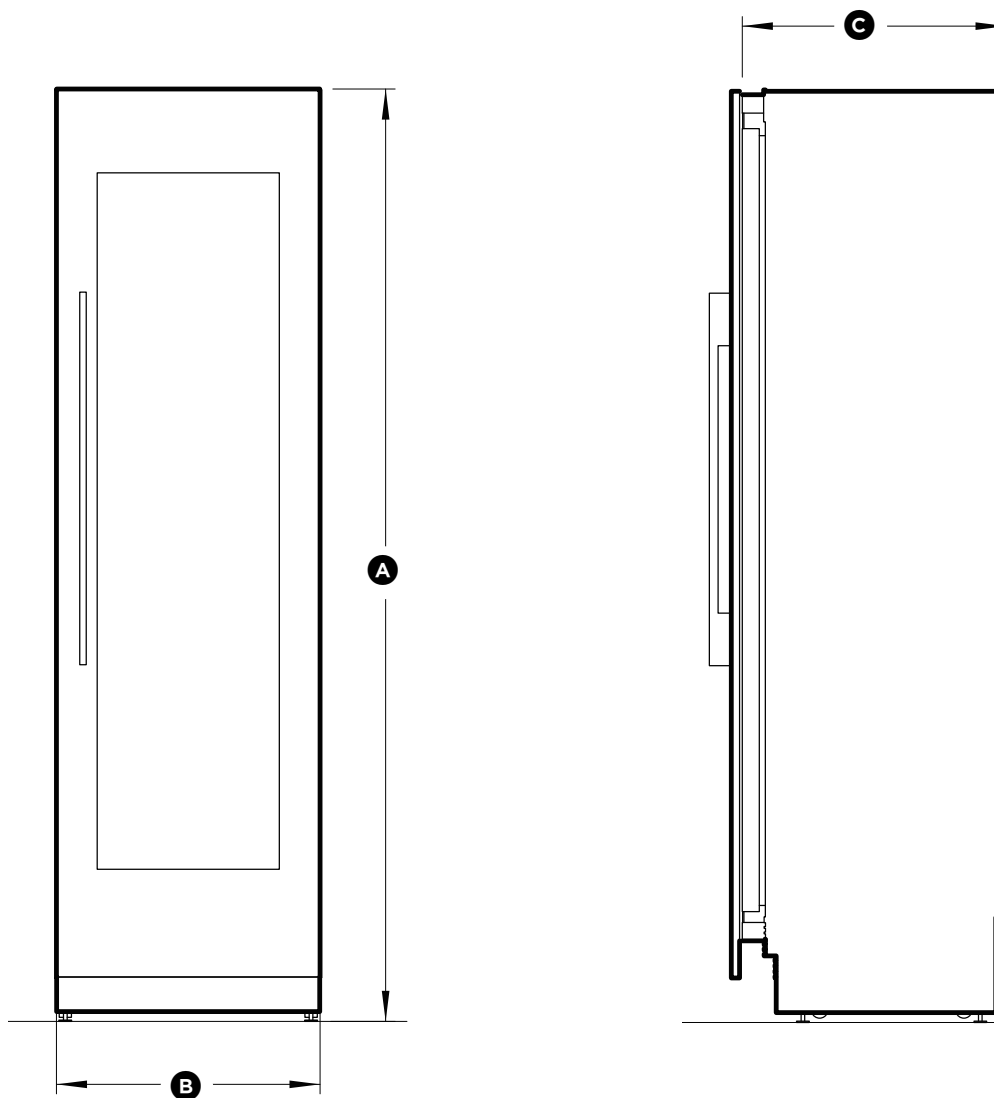


Spanner 13mm
(1)



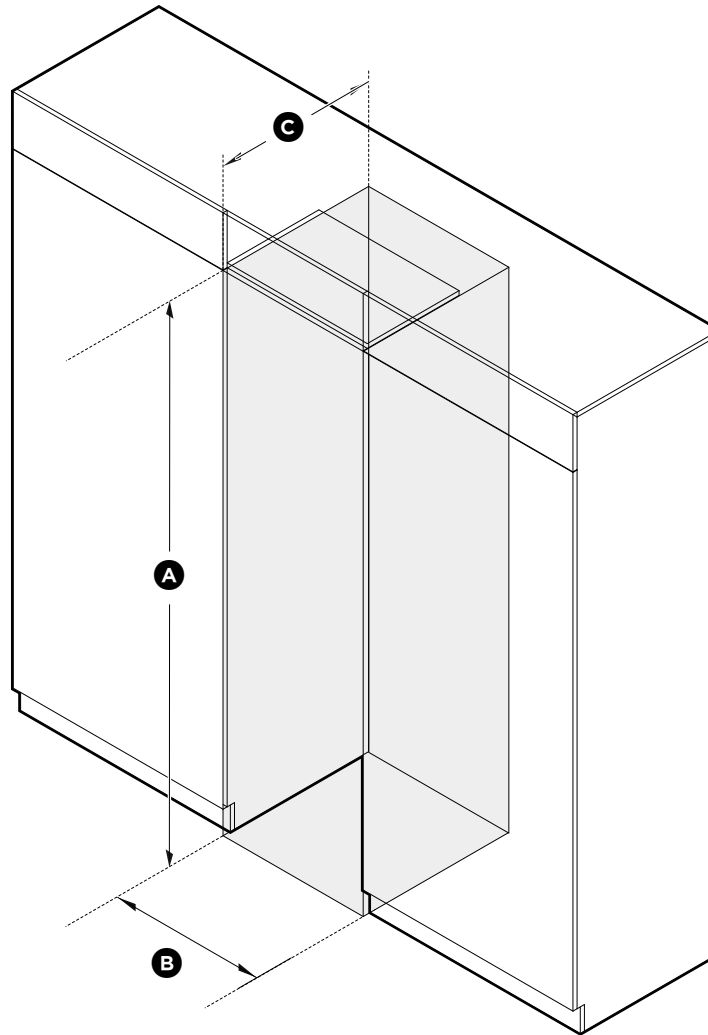
Hex key
(1)

APPLIANCE DIMENSIONS



PRODUCT DIMENSIONS		MM
(A)	Overall height of product	2134
(B)	Overall width of product	603
(C)	Overall depth of product (excluding front door panel)	610
	Weight (including packaging)	172kg

CAVITY DIMENSIONS



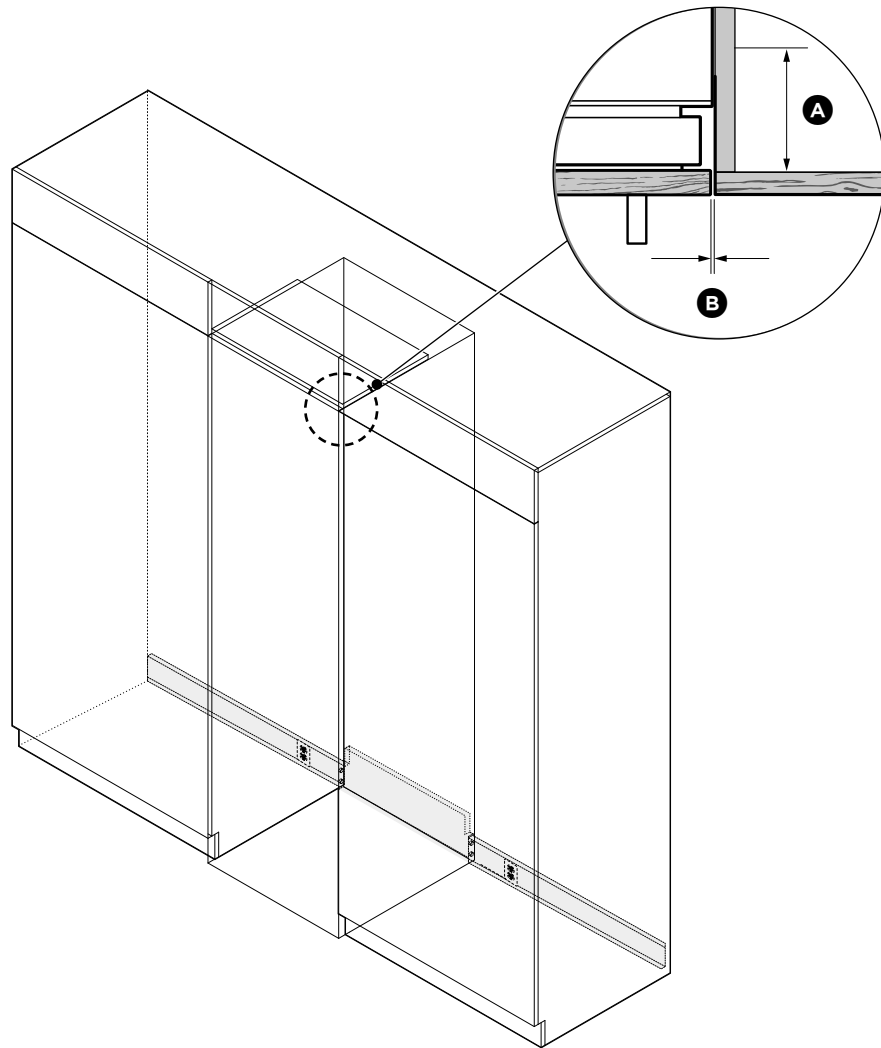
CAVITY DIMENSIONS		MM
Ⓐ	Overall height of cavity	2134
Ⓑ	Overall width of cavity	610
Ⓒ	Overall depth* (including door panel) if power plug is located in adjacent cabinet	635
	Overall depth* (including door panel) if power plug is located behind appliance	650

* Cavity depth assumes door panel thickness of 19mm.

CAVITY DIMENSIONS

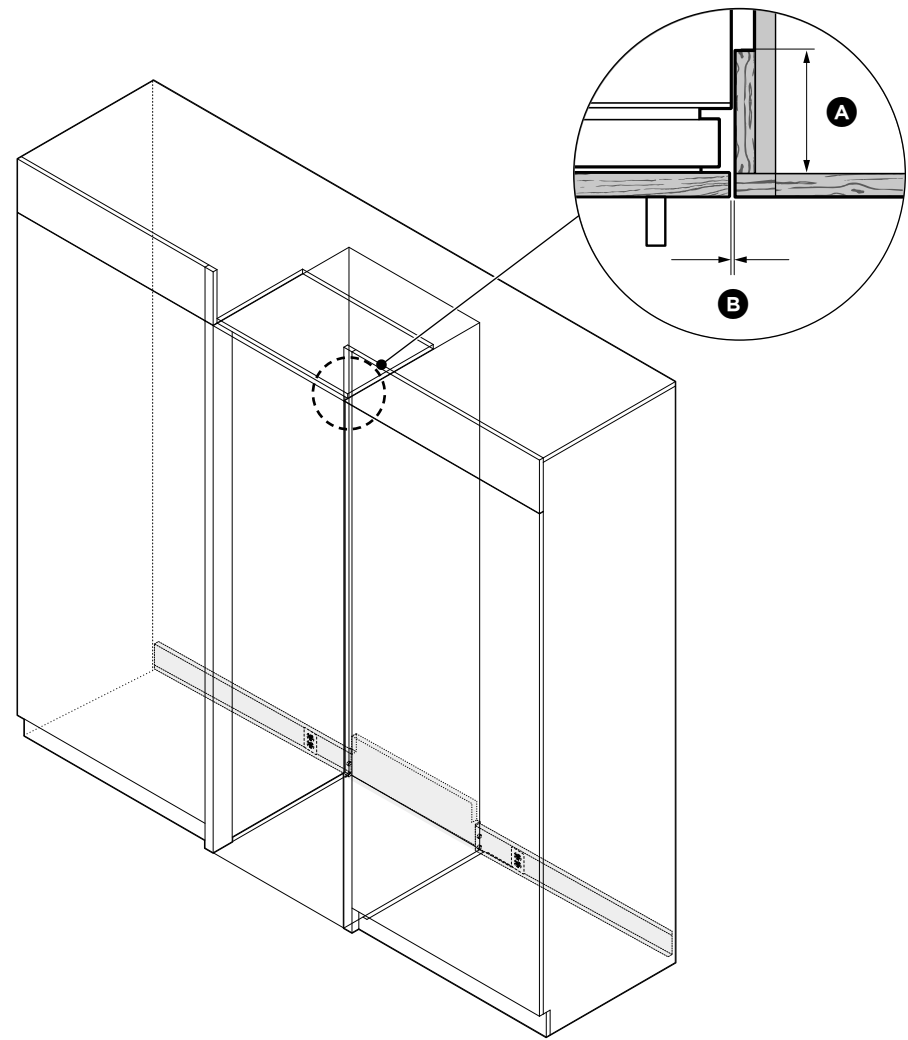
Frameless Cabinetry

Aligns appliance flush with the cabinetry



Framed Cabinetry

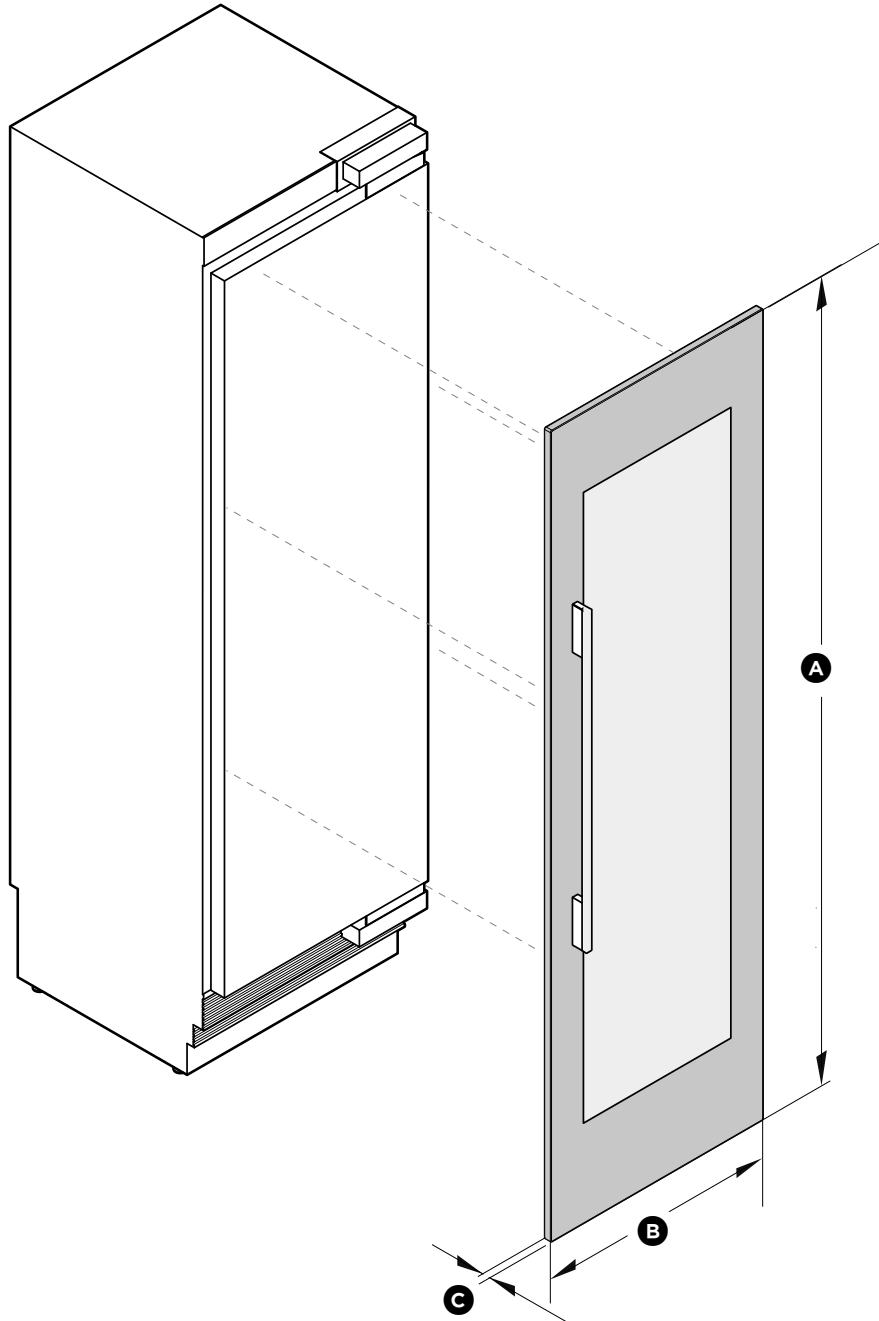
Aligns appliance flush with the frame of cabinetry



CAVITY DIMENSIONS		MM
(A)	Minimum required finished return (cavity sides and top)	102
(B)	Minimum cabinetry gap clearance from edge of door panels	3

DOOR PANEL DIMENSIONS

STAINLESS STEEL/CUSTOM DOOR PANEL



DOOR PANEL DIMENSIONS (STAINLESS STEEL)		MM
(A)	Height of door panel	2029
(B)	Width of door panel	603
(C)	Depth of door panel (excluding door handle)	3/4" (19)
DOOR PANEL DIMENSIONS (CUSTOM)*		
(A)	Height of door panel	1978-2080
(B)	Width of door panel	603
(C)	Depth of door panel	16-25
DOOR PANEL WEIGHT		LB (KG)
Maximum weight of Stainless steel/Custom door panel (including handle/brackets)†		55lb (25kg)

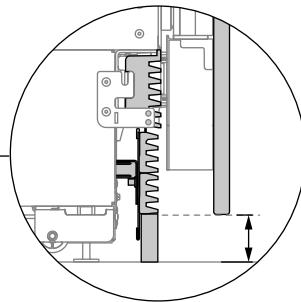
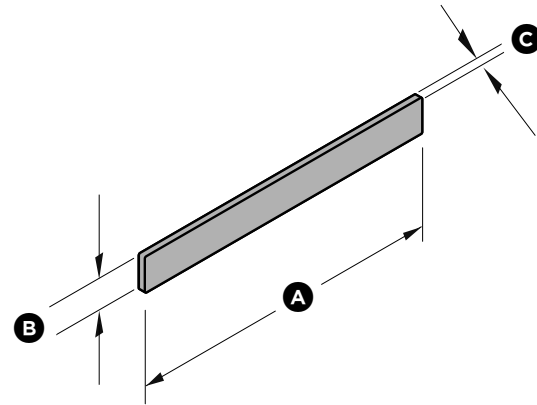
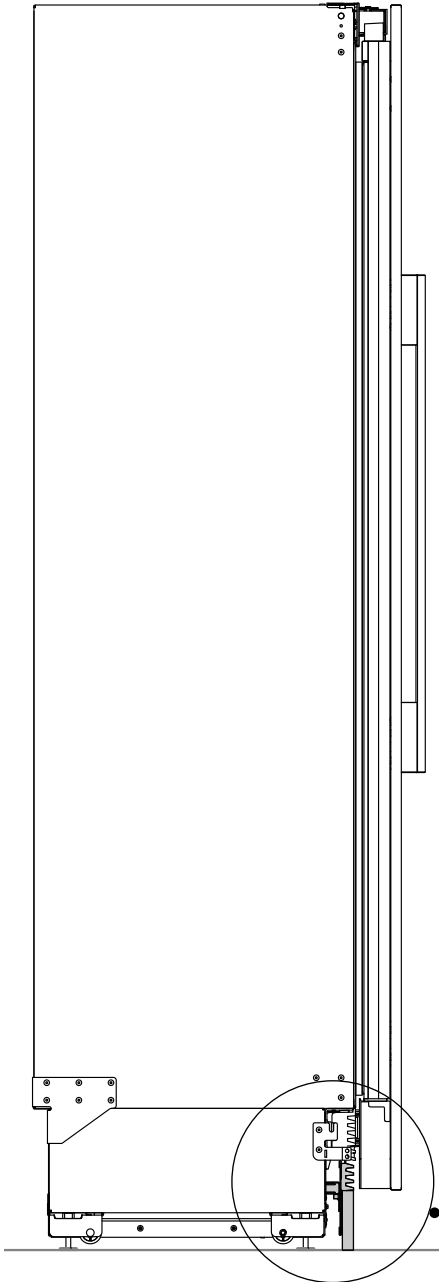
† Door handle kit is available as an optional accessory for both Stainless Steel door panels and Custom door panels and must be purchased separately.

TOE KICK PANEL DIMENSIONS

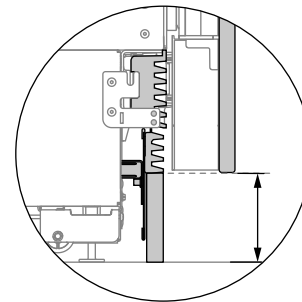
TOE KICK DIMENSIONS		MM
A	Width of toe kick	
	Stainless steel panel/Custom panel	607
B	Height of toe kick#	
	Stainless steel panel	102
	Custom panel**	50-152
C	Depth of toe kick (measured from front of door)	
	Stainless steel panel/Custom panel	73-102

Standard toe kick height is 4" (102mm) with the optional Stainless door panel. For Custom door panel installation, a custom toe kick 2-6" (50-152mm) can be manufactured and fitted by cabinetmaker. The Custom door panel height needs to be adjusted accordingly.

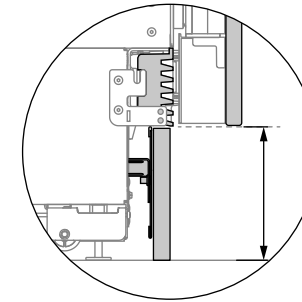
** Extra bottom grilles are required for a 2" (50mm) toe kick installation. You can purchase the extra bottom grille (Part No. 847542P) online at fisherpaykel.com.



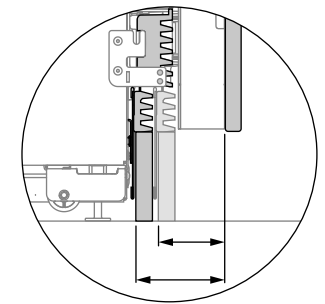
50mm toe kick height*
(with extra lower grille attached)



Standard toe kick height is 102mm with
Stainless steel door panel



152mm toe kick height**



73-102mm toe kick depth measured
from from rear of door panel

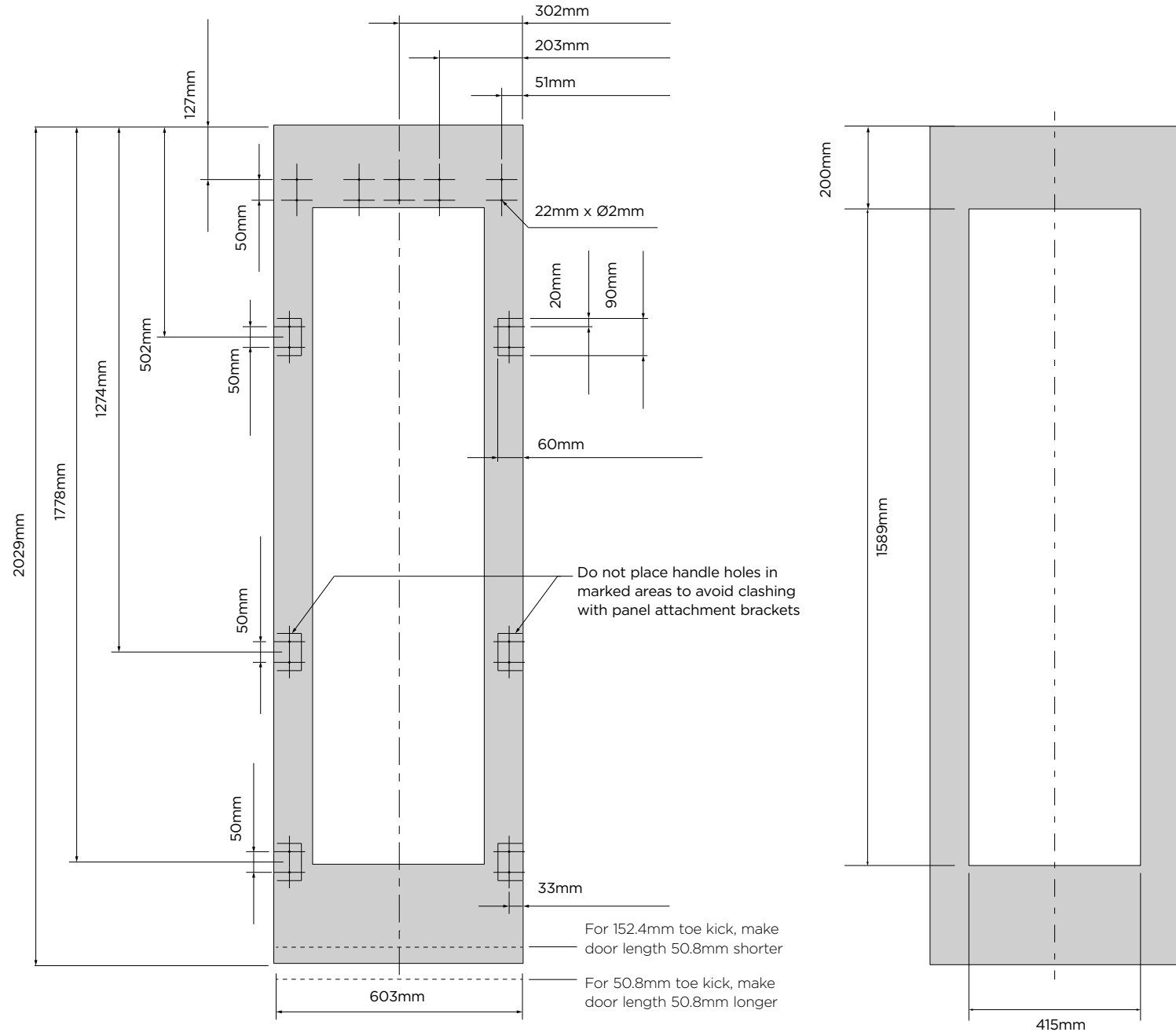
CUSTOM DOOR PANEL DIMENSIONS

Custom door panel dimensions

Dimensions apply for the preparation and installation of Custom door panels. For Dwg and Dxf files of the below panel preparation download the folder on thekitchentools.fisherpaykel.com.

IMPORTANT!

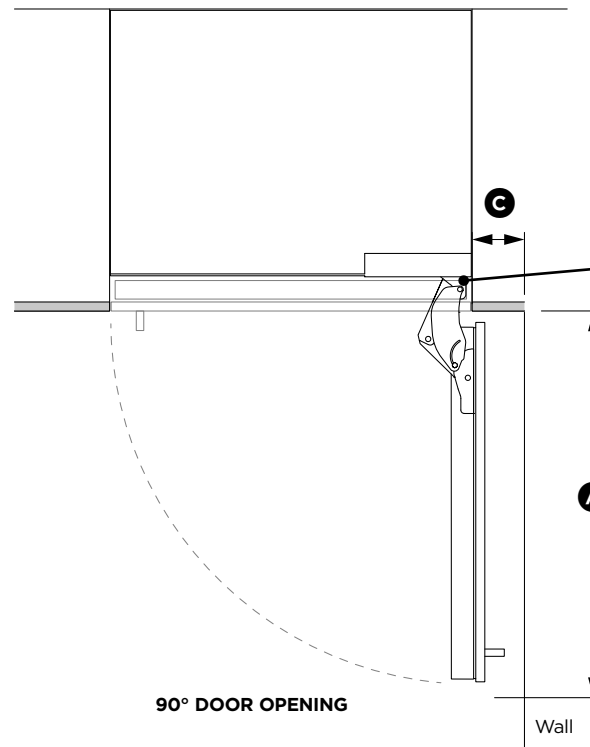
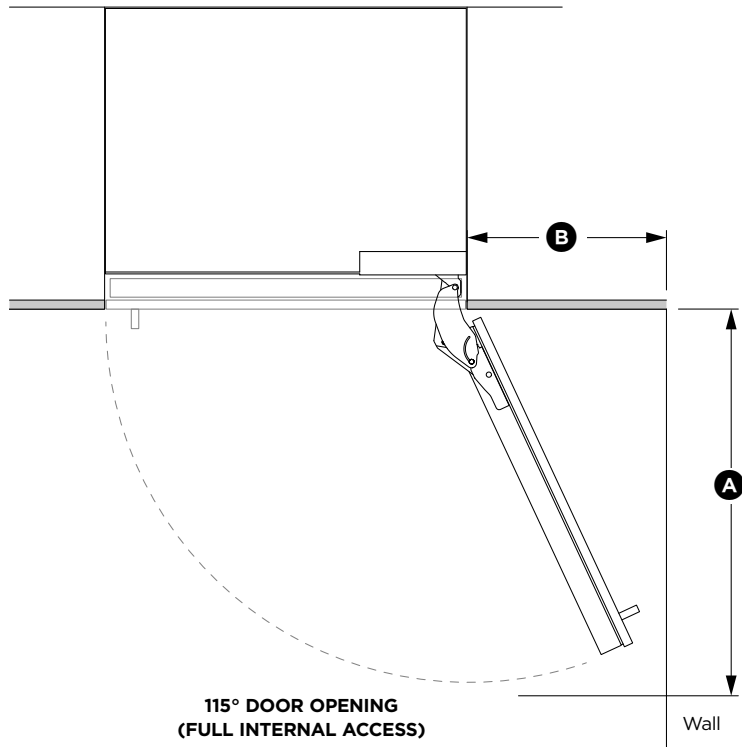
- The thickness of the custom door panel can vary as long as the screws do not penetrate beyond the full depth of the door panel, and as long as the overall weight of the panel does not exceed 55lb/25kg.
- Measurements of screw hole locations can vary depending on the height of toe kick 2-6"/50-152mm.



DOOR CLEARANCE

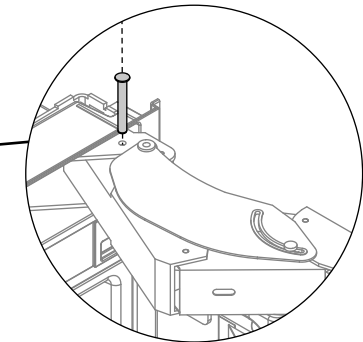
IMPORTANT!

Ensure the appliance is stable before opening the door.



IMPORTANT!

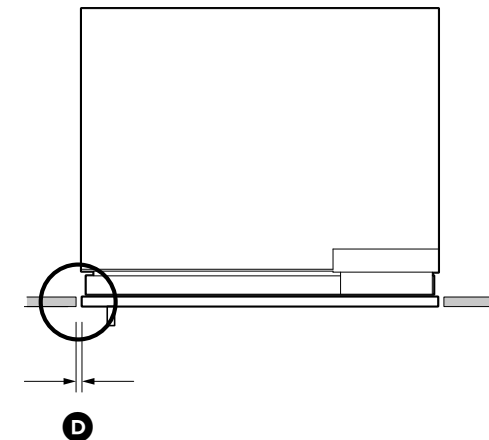
- Ensure the hinge limiting pin is inserted before pushing the appliance into the cabinetry.
- The pin fits in the boreholes of the top hinge.



Insert hinge limiting pin (supplied) to limit door swing to 90°.

CLEARANCE DIMENSIONS	MM
(A) Depth of door (90° open) measured from front of door	660
(B) Minimum door clearance* to adjacent wall (115° – full internal access)	356
(C) Minimum door clearance* to adjacent wall (90° – reduced internal access)	110
(D) Minimum cabinetry gap clearance from edge of door panels	3

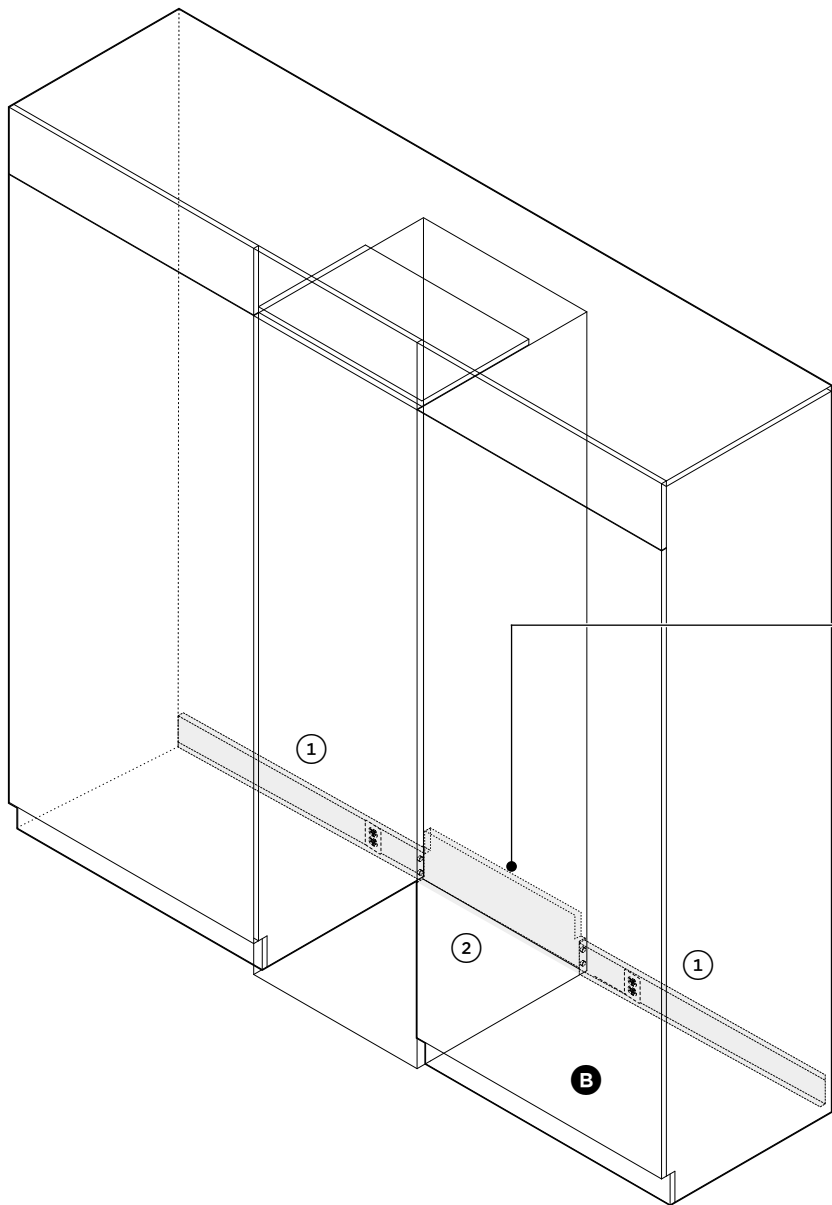
Note: Door clearance measured from front cabinetry edge.



ELECTRICAL DIMENSIONS

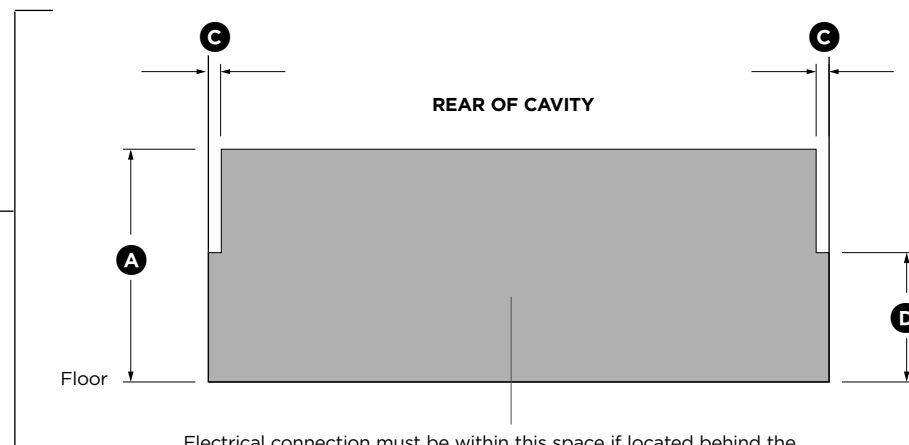
WARNING!

- Electric shock hazard! Assume all parts live.
- Disconnect power supply before servicing and installation.



ELECTRICAL AND PLUMBING CONNECTIONS

- ① Recommended location for connections in adjacent area or unit
- ② Alternative location for connections at rear of cavity



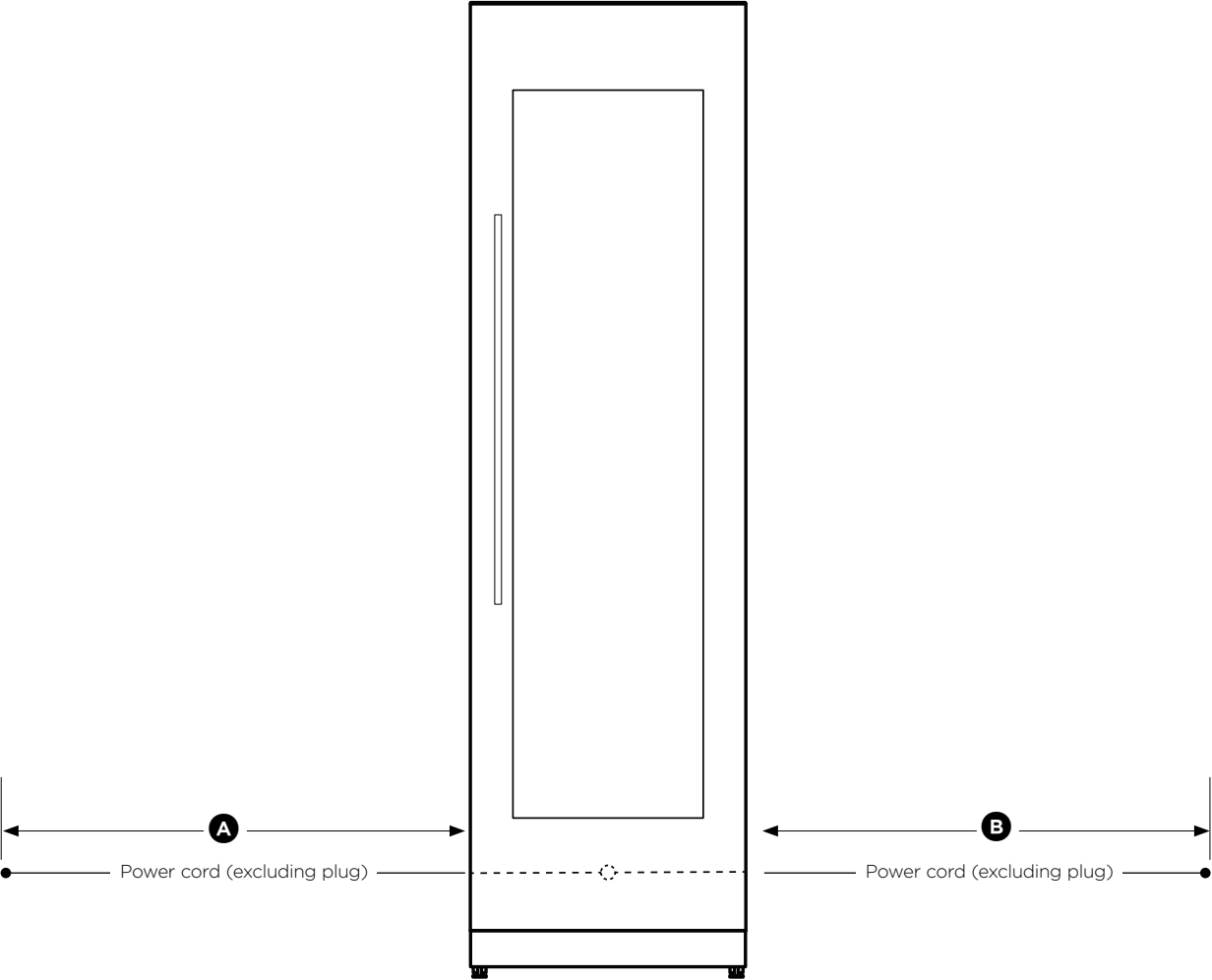
Electrical connection must be within this space if located behind the appliance and must not protrude from the back wall.

ELECTRICAL DIMENSIONS

	MM
Ⓐ Overall height of supply area	229
Ⓑ Overall depth of supply area	25
Ⓒ Width of notch in supply area (both sides)	13
Ⓓ Height of sides of supply area (both sides)	127

Note: Dimensions are based on minimum depth of cavity.

ELECTRICAL SPECIFICATIONS



MAXIMUM DISTANCE OF POWER CORD AND WATER HOSE	MM
Ⓐ Power cord length from left side edge of appliance (excluding plug)	1309
Ⓑ Power cord length from right side edge of appliance (excluding plug)	1335

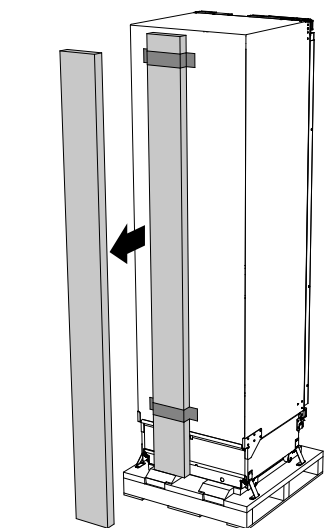
ELECTRICAL SPECIFICATIONS	
Supply	230 VAC, 50 Hz
Service	10 amp circuit
Socket	3-pin earthing-type
Power cord (total length)	2000mm

BEFORE INSTALLATION

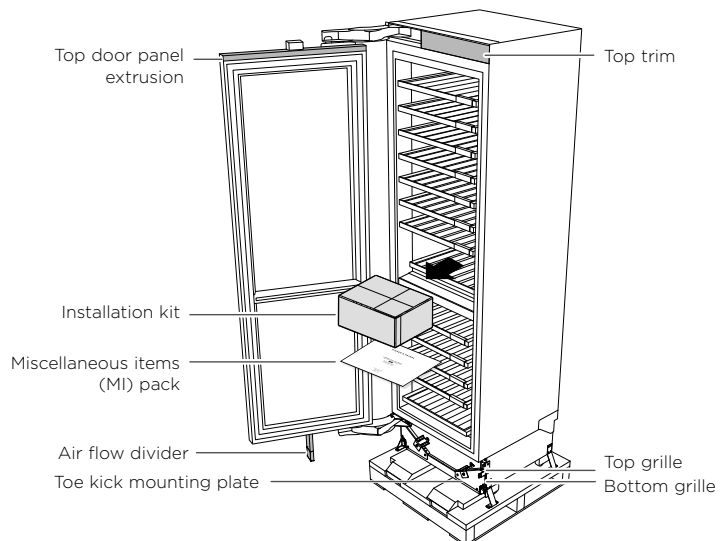
Check your appliance

IMPORTANT!

- Ensure that your appliance is the correct model as per your order.
- Check that the components and install kits are complete.
- Keep the detached parts to reinstall later.
 - air flow divider
 - top door panel extrusion
 - top trim
 - toe kick mounting plate
 - top grille
 - bottom grille



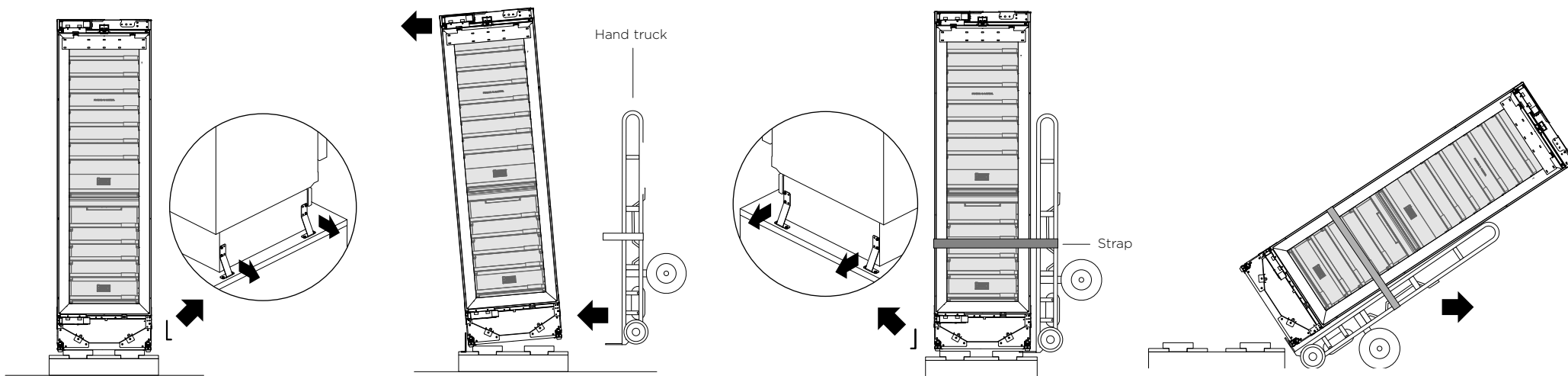
① Remove external box.



② Remove installation kit, MI pack and pre-installed parts. Keep all components to use later.

Move your appliance

Follow the steps below to move your appliance to installation location. Be careful when tilting the appliance forward/backward.



③ Remove brackets from one side of pallet.

④ Tilt slightly forward and Insert hand truck.

⑤ Restrain with strap and remove remaining brackets.

⑥ Tilt backward to load appliance onto hand truck.

BEFORE INSTALLATION

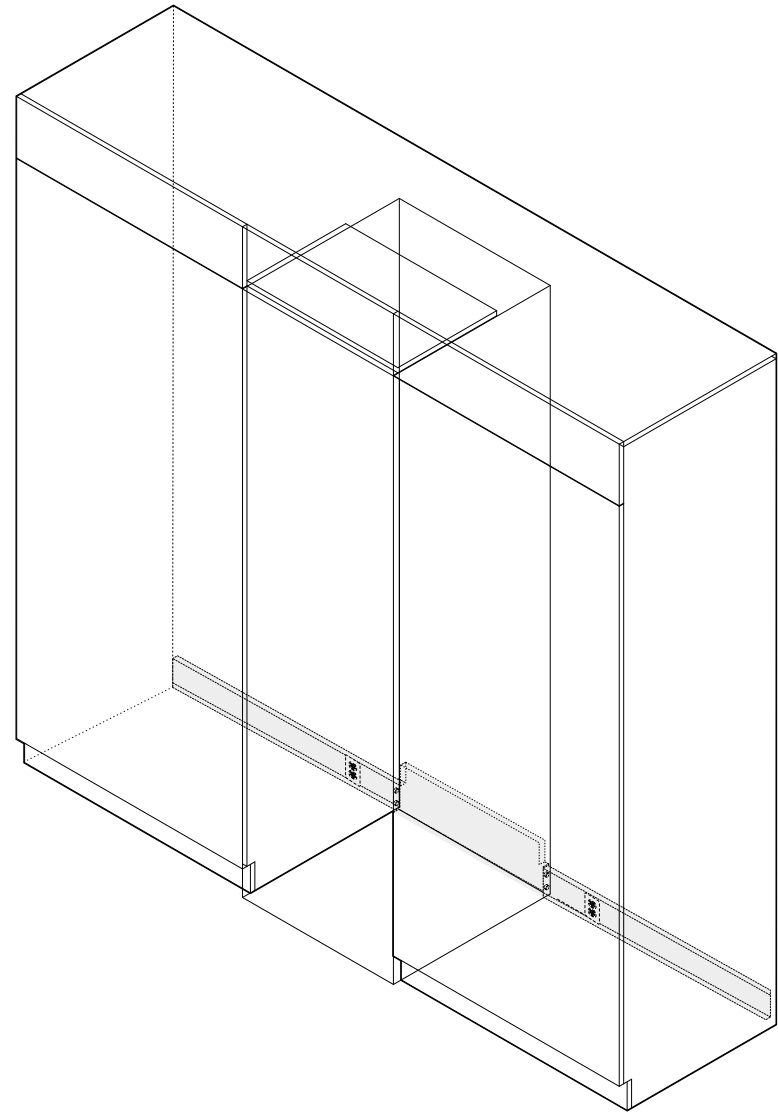
Check the installation location

Check the cabinetry

- Check the dimensions of the cabinetry: height, width, depth, floor level, finished alcove returns.

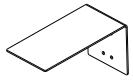
Check the power supply connection

- Ensure that there is a separate power socket for each appliance.
- Avoid sharing the power point with other appliances to prevent accidental switching off of the appliance.
- For power requirements, refer to the information on the serial plate.
- Ensure your appliance is properly grounded (earthed).
- Connect your appliance to an electrical supply with the fitted plug and lead.
- If power connection is located behind the appliance, we recommend to install an isolating switch to a location that is easily accessible to the user for repair or disconnection.
- Follow local codes and ordinances when installing the appliance.



INSTALL ANTI-TIP BRACKET

Anti-tip bracket assembly kit



Anti-tip bracket (1)

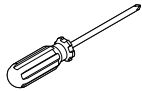


Masonry plug (4)

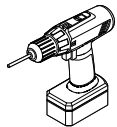


#10x40 cross-head screw (4)

Tools



Cross-head screwdriver



Powered drill



Pencil



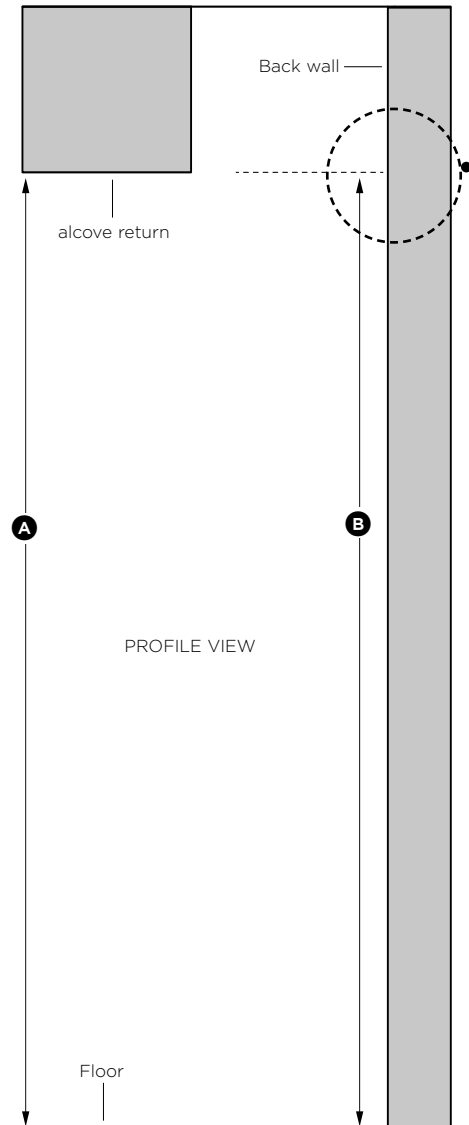
Leveler



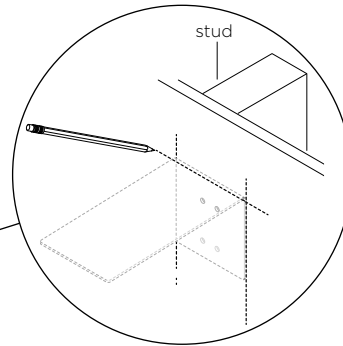
Safety glasses

- 1 Measure height from floor to alcove return (**A**). Use this measurement to locate the attachment height (**B**) of anti-tip bracket to the back wall.

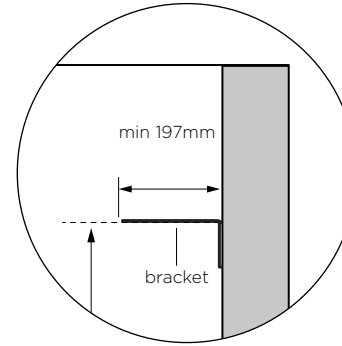
- Attachment height of anti-tip bracket should not be more than 2138mm to ensure the appliance is prevented from tipping over during installation.



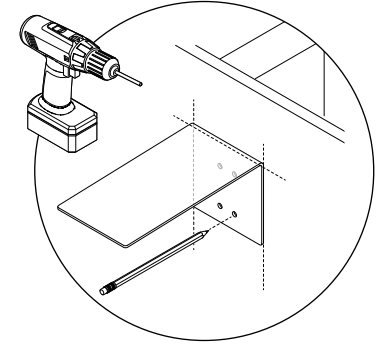
- 2 Mark a horizontal line on the back wall based on measured attachment height. Ensure there is a stud behind the wall.



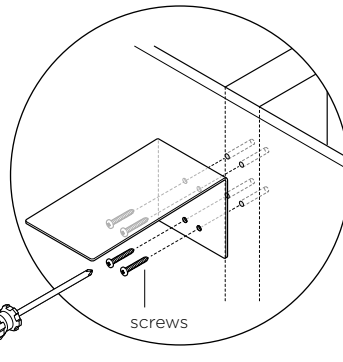
- 3 Place the bracket to the backwall. Align the undersurface of bracket along the marked line.



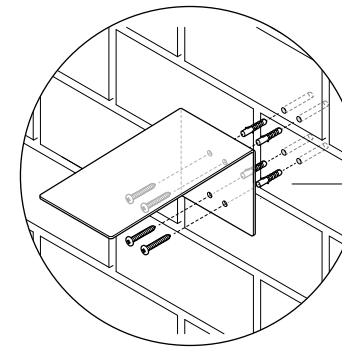
- 4 Mark screw hole locations, and drill screw holes with powered drill.



- 5 **For plaster board wall installation**
Fix bracket to wall with 10x40mm cross head screws (4x), and screw tightly with a screwdriver.

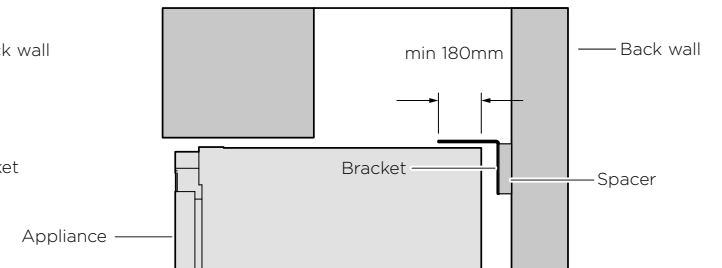
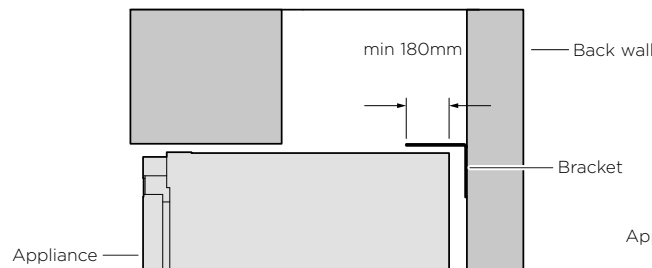


- 6 **For solid wall installation**
Hammer 10x30mm masonry plugs into wall until flush. Fix bracket to wall with 10x40mm cross head screws (4x), and screw tightly.



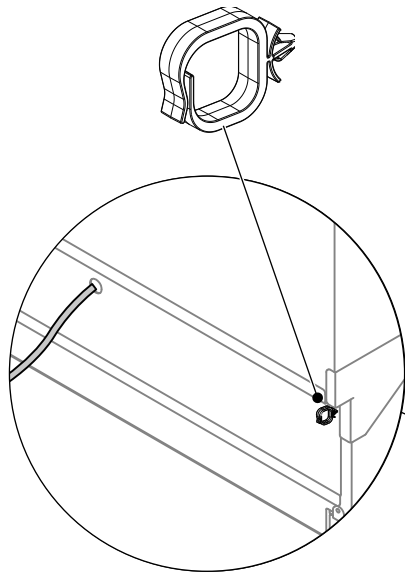
IMPORTANT!

Ensure the bracket overlaps the appliance by a minimum 7 1/16" (min 180mm) for a secure hold. If the minimum 7 1/16" (180mm) overlap cannot be achieved, install a solid spacer to the wall screw behind the bracket.

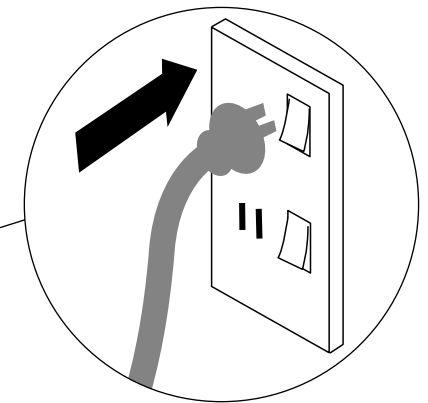


CONNECT TO POWER SUPPLY

- 1 Move appliance in front of cabinetry close enough to allow access at the back for power connection.



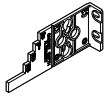
- 2 Uncoil the power cord from the clips .



- 3 Connect to the power supply (230 VAC, 50 Hz)

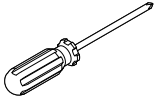
ATTACH DEPTH ALIGNMENT GAUGES

Install fasteners kit



Cabinet depth alignment gauge (4)

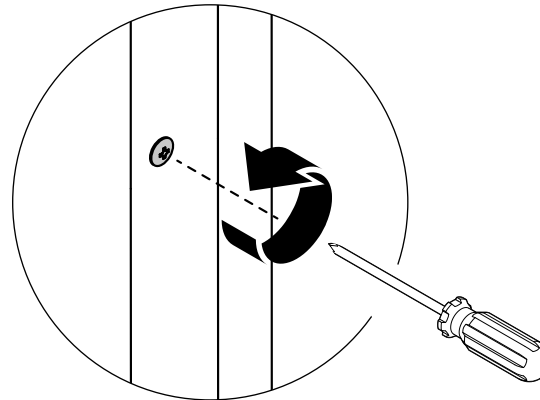
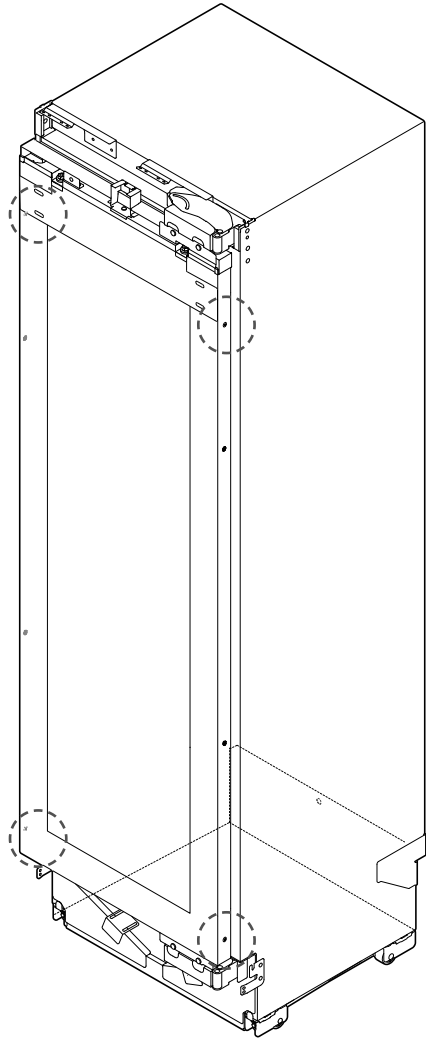
Tools



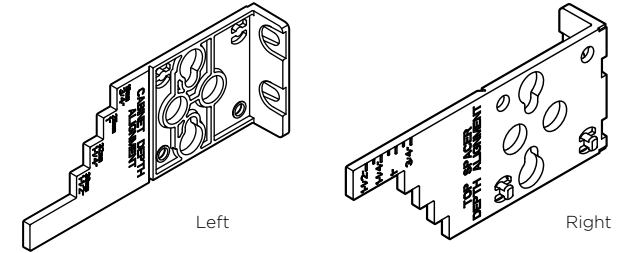
Cross-head screwdriver

IMPORTANT!

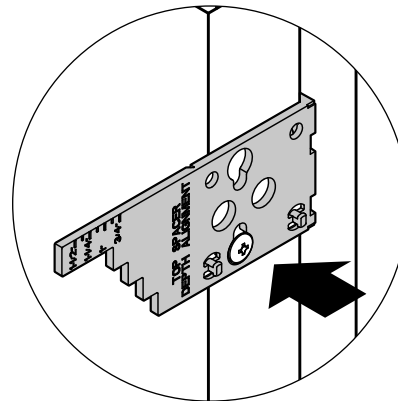
The alignment gauges are only temporary and must be removed after installation.



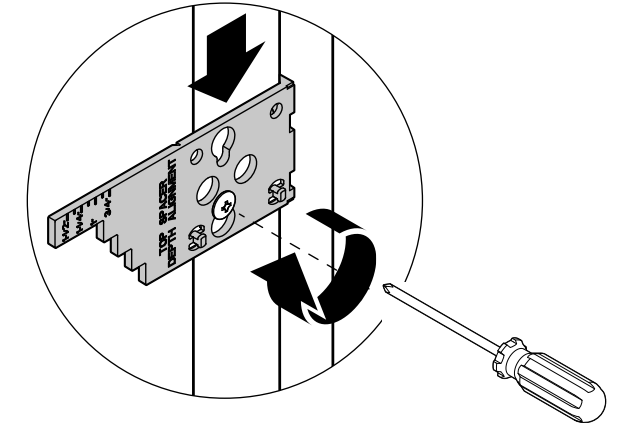
- ① Loosen right and left screws at top and bottom sides of door.



- ② Locate alignment gauges to screws at correct orientation.



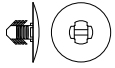
- ③ Attach alignment gauge so that screw head passes through the keyhole.



- ④ Push gauge down to lock screw position in keyhole, and tighten the screw just enough to firmly hold the gauge.

POSITION APPLIANCE INSIDE THE CABINETY

Install fasteners kit

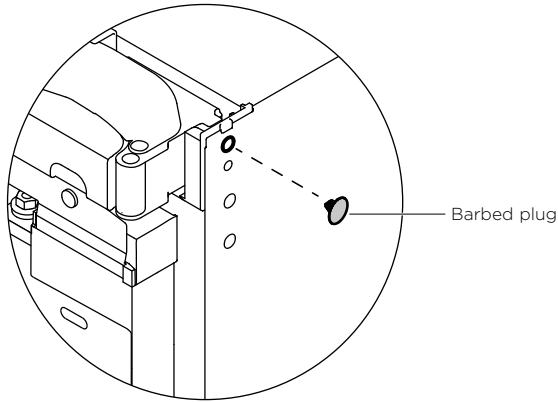


Barbed plug
(2)

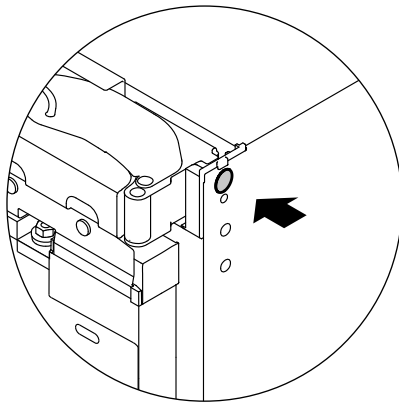
Attach barbed plugs

IMPORTANT!

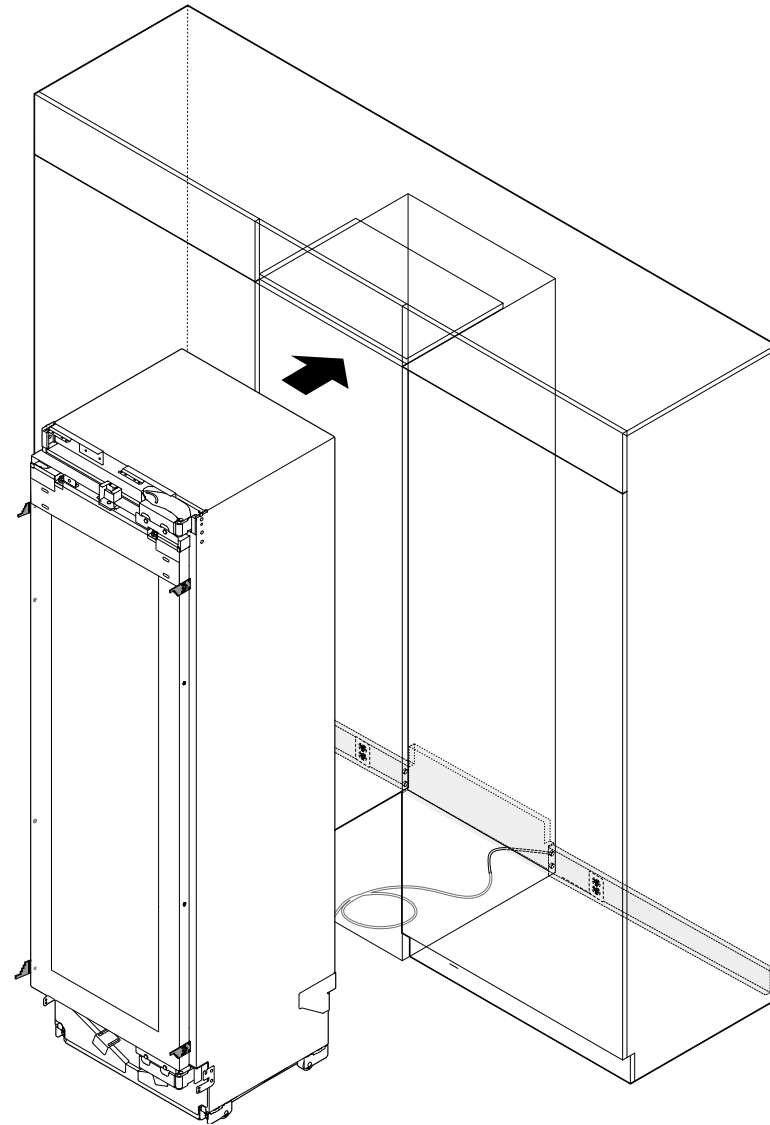
- Check clearance between floor and feet. Rollers must roll freely on the floor.
- Be careful not to run over the power cord when rolling in the appliance.



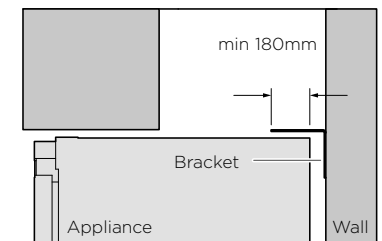
- ① Before rolling into the cavity, insert barbed plugs into large holes on the top right and left sides of the appliance.



- ② The plugs protect the inside surface of cabinetry from being damaged by screws when pushing in the appliance.

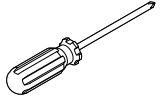


- ③ Roll appliance slowly into the cabinetry until the anti tip bracket overlaps the back top surface of appliance by minimum 180mm.



ALIGN APPLIANCE INSIDE THE CABINETY

Tools

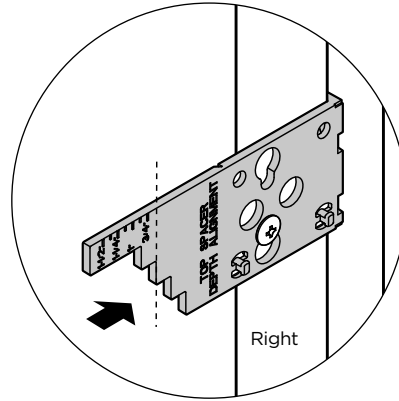
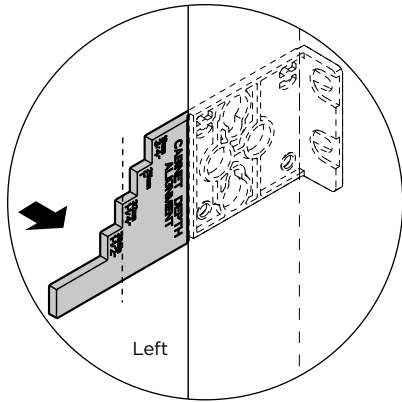


Cross-head screwdriver

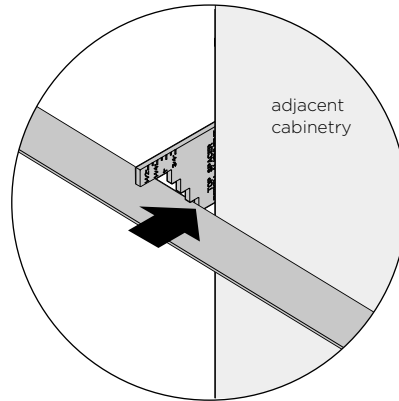
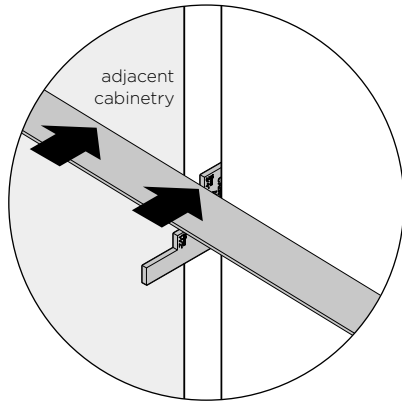


Ruler

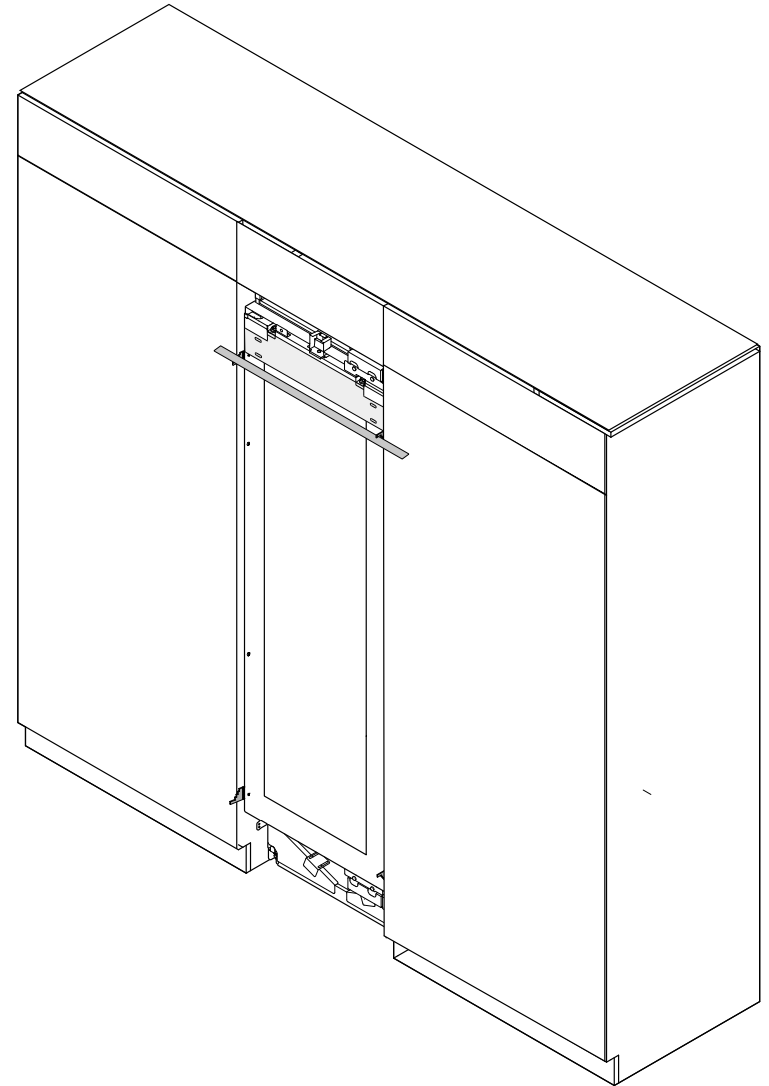
Align depth gauges with cabinetry



- 1 Mark the step of depth gauge on each side of the door based on the thickness of door panel.



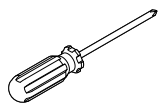
- 2 Move the appliance to align the marked steps of gauges to be flush with front surface of adjacent cabinetry. Use a ruler to check if gauges are in line relative to thickness of door panel.



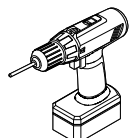
- 3 Check if the gaps between appliance and cabinetry side walls are even on both sides.

ALIGN APPLIANCE INSIDE THE CABINETY

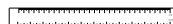
Tools



Cross-head screwdriver



Powered driver (optional)

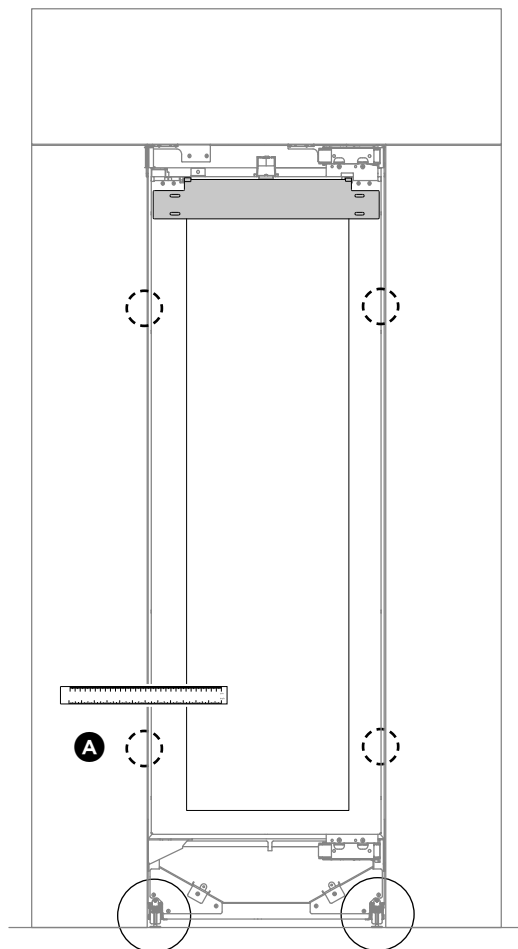


Ruler

Adjusting appliance inside the cabinetry

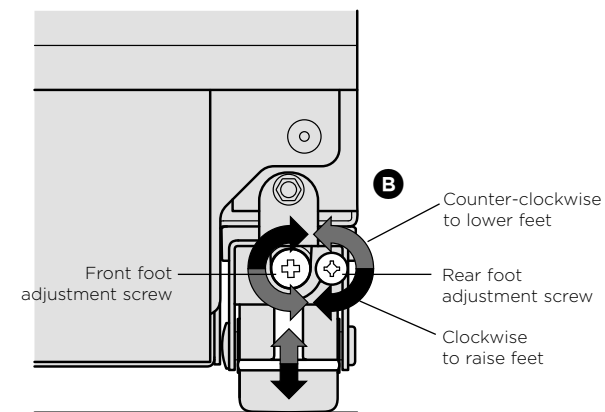
- 1 Centre the appliance within the alcove using the adjacent cabinetry walls as guide.

- 2 Check gaps top and bottom, left and right using a ruler. **(A)**

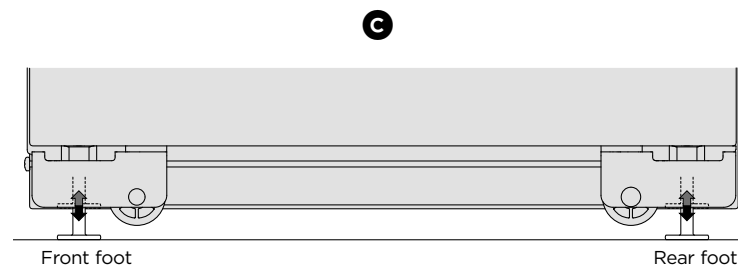


IMPORTANT!

- Turn front and rear adjustment screws clockwise to raise height of appliance and counter-clockwise to lower height.
- One turn of adjustment screw is equal to 0.5mm height adjustment.
- Use a cross-head screwdriver to turn the screws. If using a powered driver, use low torque setting.



- 3 Turn front and rear adjustment screws clockwise to extend the feet until it engages the floor, and top bracket reaches ceiling of alcove. **(B)**



- 4 Turn adjustment screws alternately until you achieve correct alignment. Check alignment gauges while adjusting the screws to maintain alignment of the appliance. **(C)**

Check top and bottom, left and right gaps again.

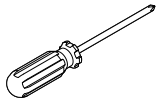
FIX APPLIANCE INSIDE THE CABINETY

Install fasteners kit



8Gx16 Countersunk screw (6)

Tools



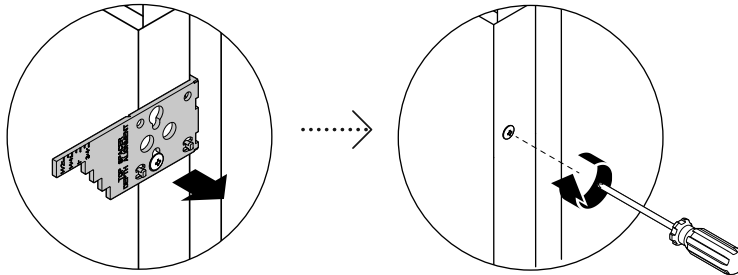
Cross-head screwdriver



Powered driver (optional)

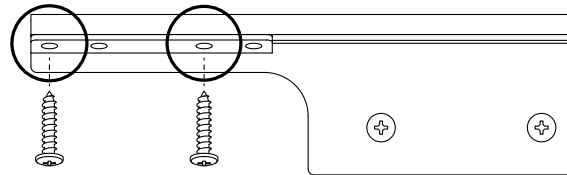
IMPORTANT!

- Remove the alignment gauges before fixing the appliance to the cabinetry.
- Ensure the appliance does not move as you open the door when you tighten the screws.

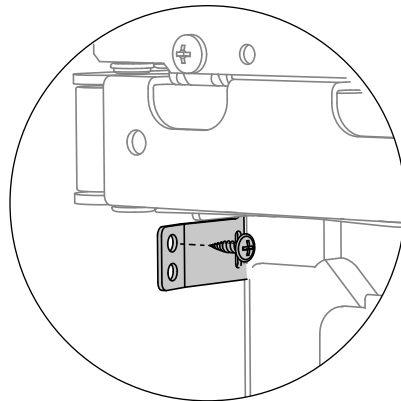


- ① Open the door and remove depth gauges from both sides of appliance.

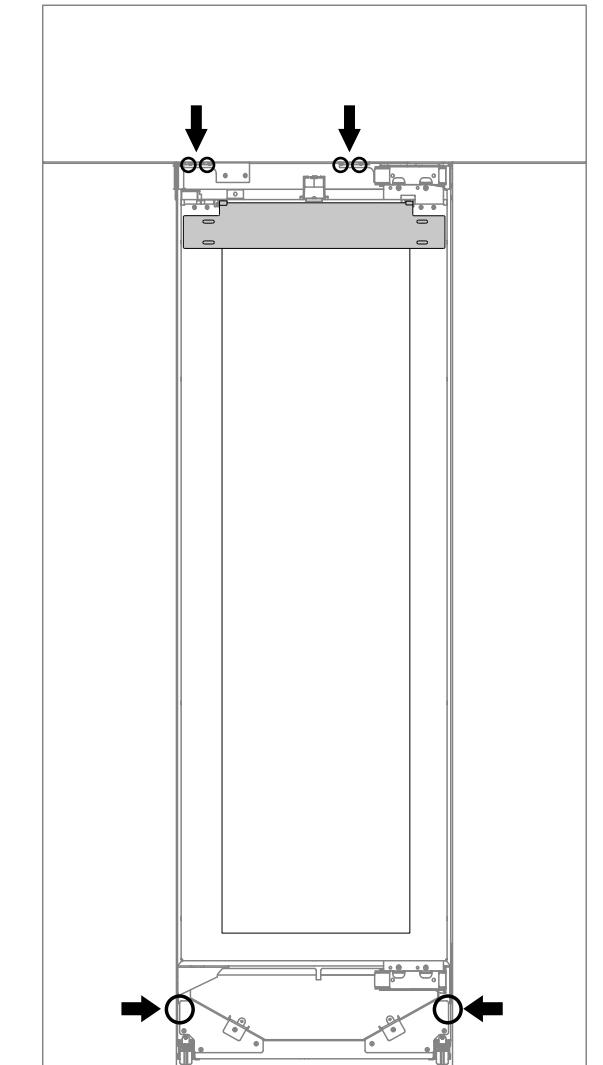
- ② Re-tighten the screws.



- ③ Close the door and fix top brackets (2x) to ceiling surface of cabinetry with 8Gx16 countersunk screws (2x).



- ④ Fix side brackets (2x) to the alcove side surface with 8Gx16 countersunk screws.

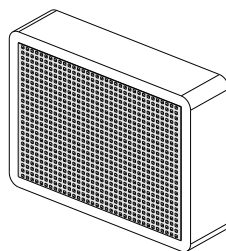
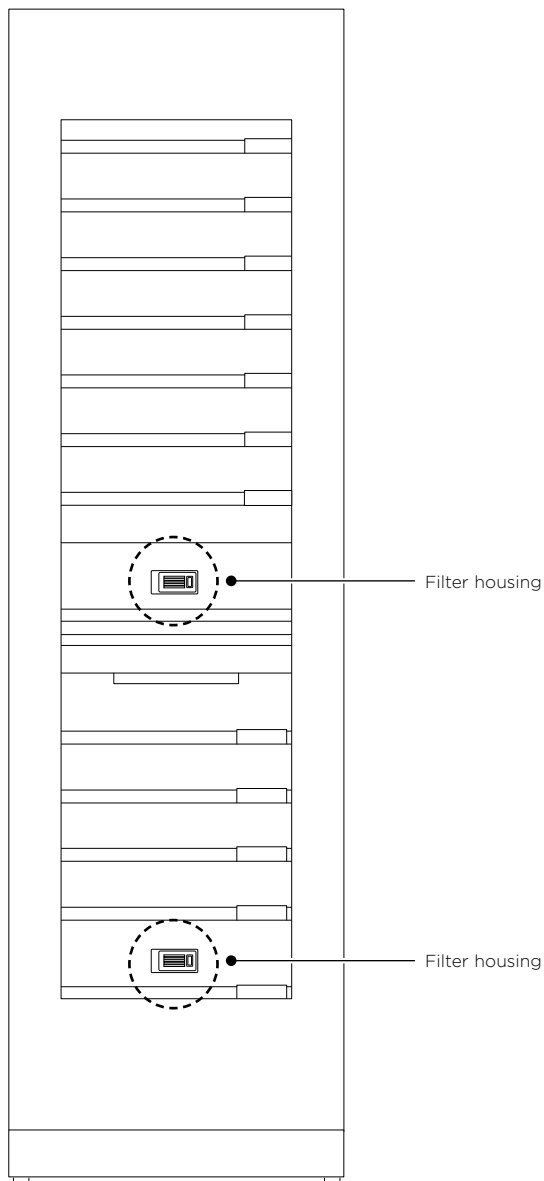


INSTALL CARBON FILTER

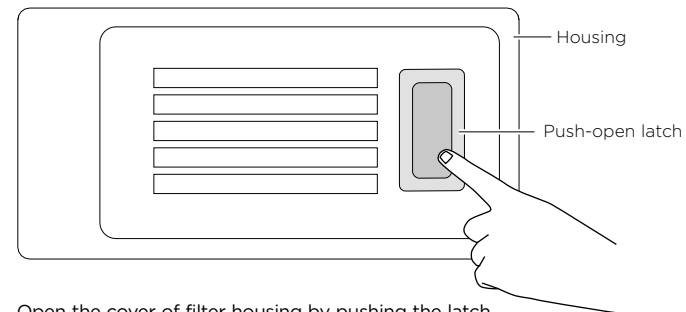
MI pack



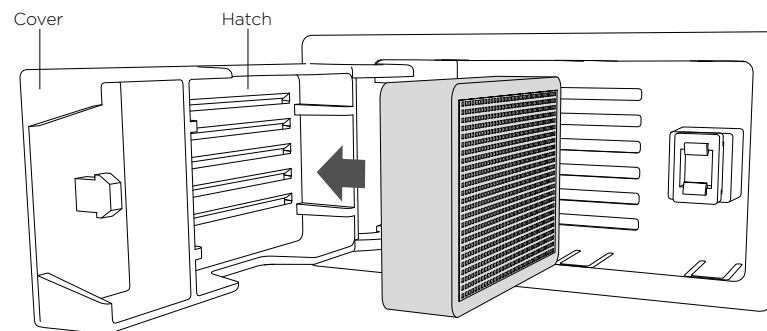
Carbon filter
(2)



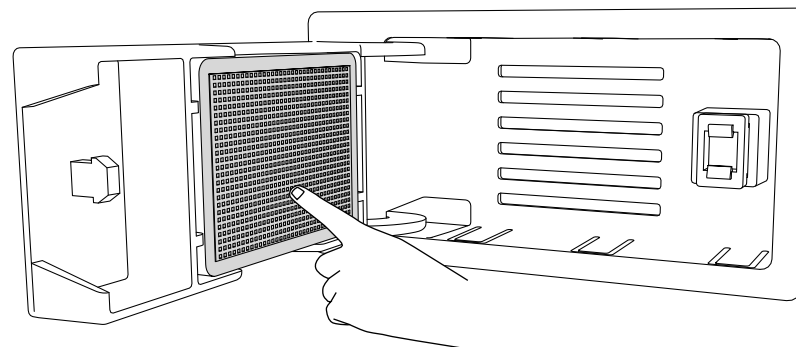
① Remove filter from packaging.



② Open the cover of filter housing by pushing the latch.



③ Insert carbon filter in hatch.



④ Push the filter gently into the hatch until flush, and then close the cover until it locks to the latch.

IMPORTANT!

- Ensure the cover is completely closed to prevent hatch or filter from being damaged.
- Replacement filters (862755) can be purchased online from fisherpaykel.com or by calling Fisher & Paykel Customer Care.

PREPARE FOR DOOR PANEL INSTALLATION

Tools

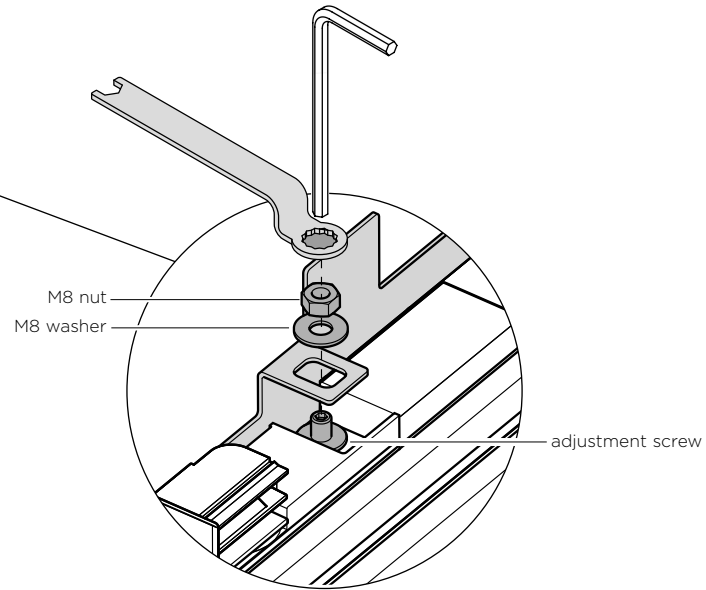
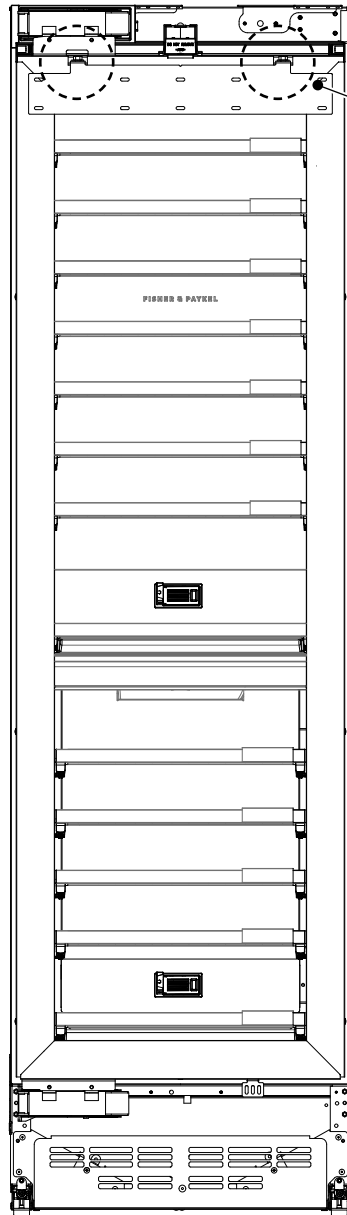


M4 hex key
(1)

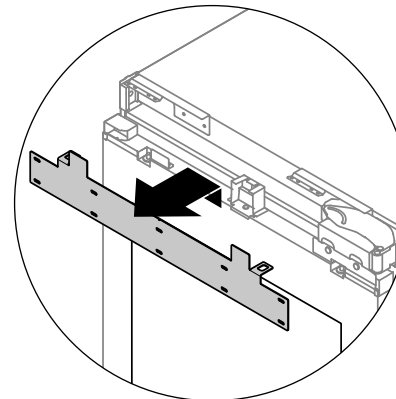


13mm spanner (1)

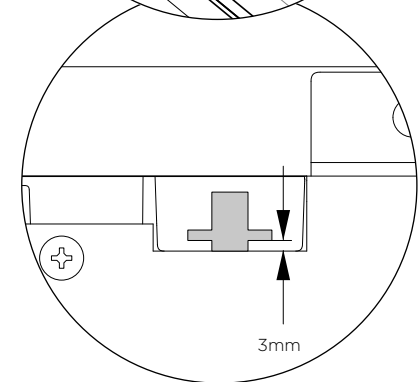
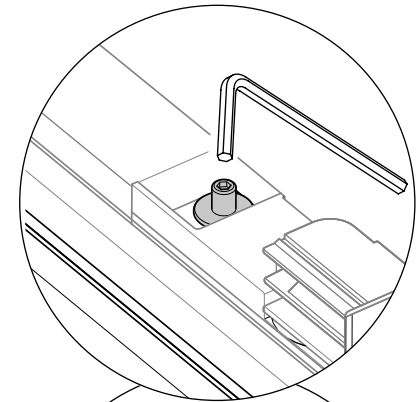
Removing hanging bracket



① Remove the M8 washer and M8 nut from the adjustment screw at the top the door.



② Remove hanging bracket and set aside to use later.



③ Loosen the adjustment screw by 3mm.

PREPARE FOR DOOR PANEL INSTALLATION

Door handle kit



M5x25 Hex screw
(4x)

Door panel attachment kit



Side bracket
(6)



Bracket slider
(6)

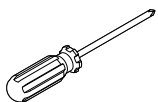


Bracket spacer
(6)



8Gx16 Mush washer
screw (30)

Tools

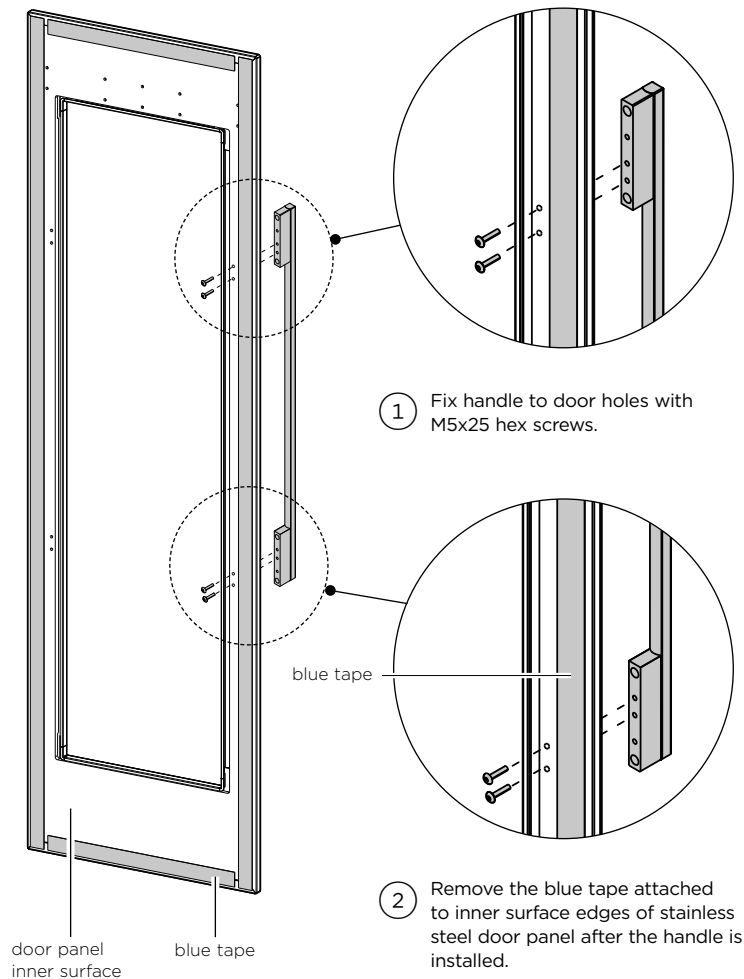


Cross-head screwdriver

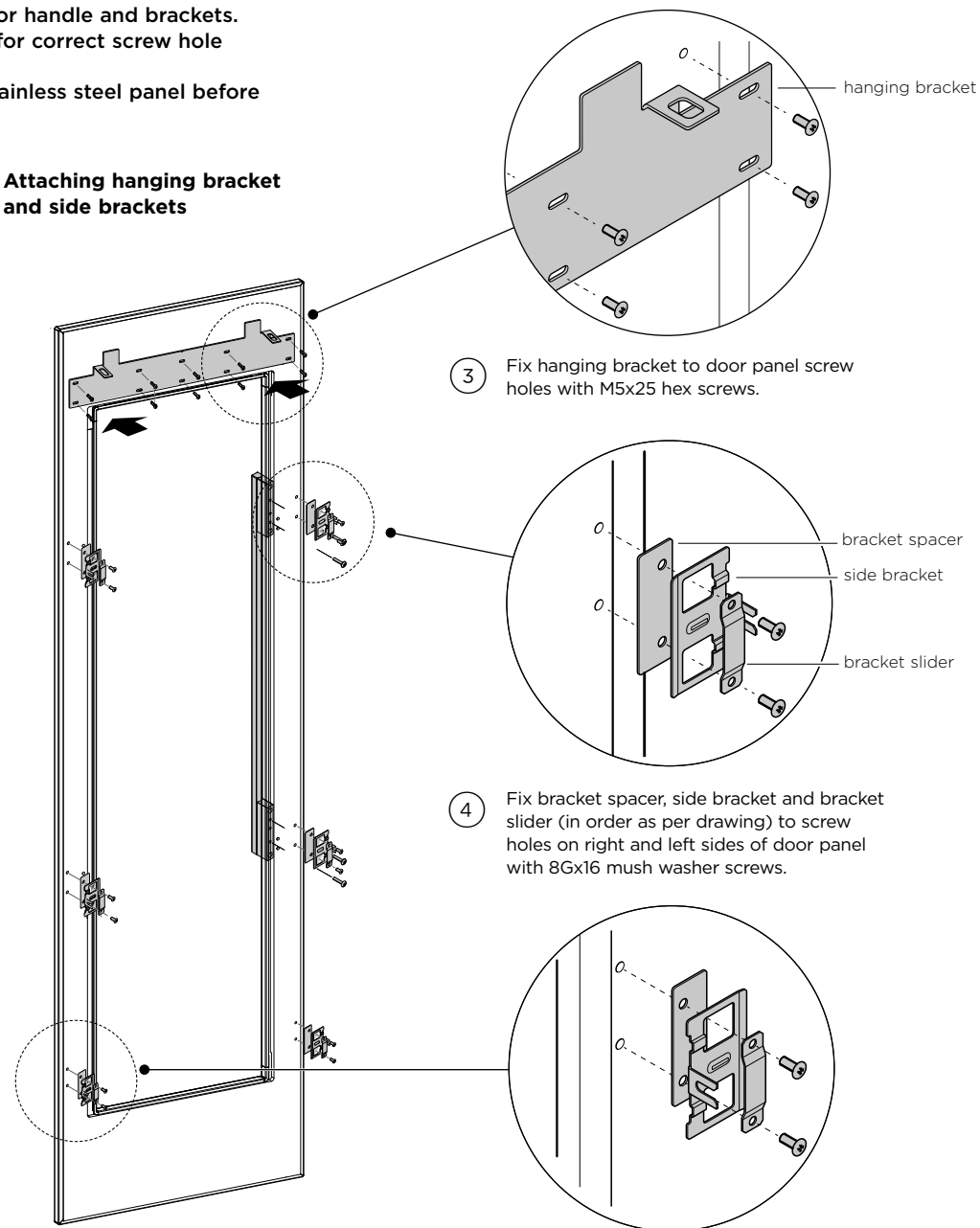
IMPORTANT!

- A stainless steel door panel has pre-drilled screw holes for attaching door handle and brackets.
- For custom door panels, see 'Custom door panel dimensions' (page 15) for correct screw hole locations of handles and brackets.
- Remove the protective film around the handle attachment area of the stainless steel panel before installing the handle.

Attaching door handle



Attaching hanging bracket and side brackets



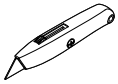
ATTACH DOOR PANEL GLASS TRIM

Installation kit



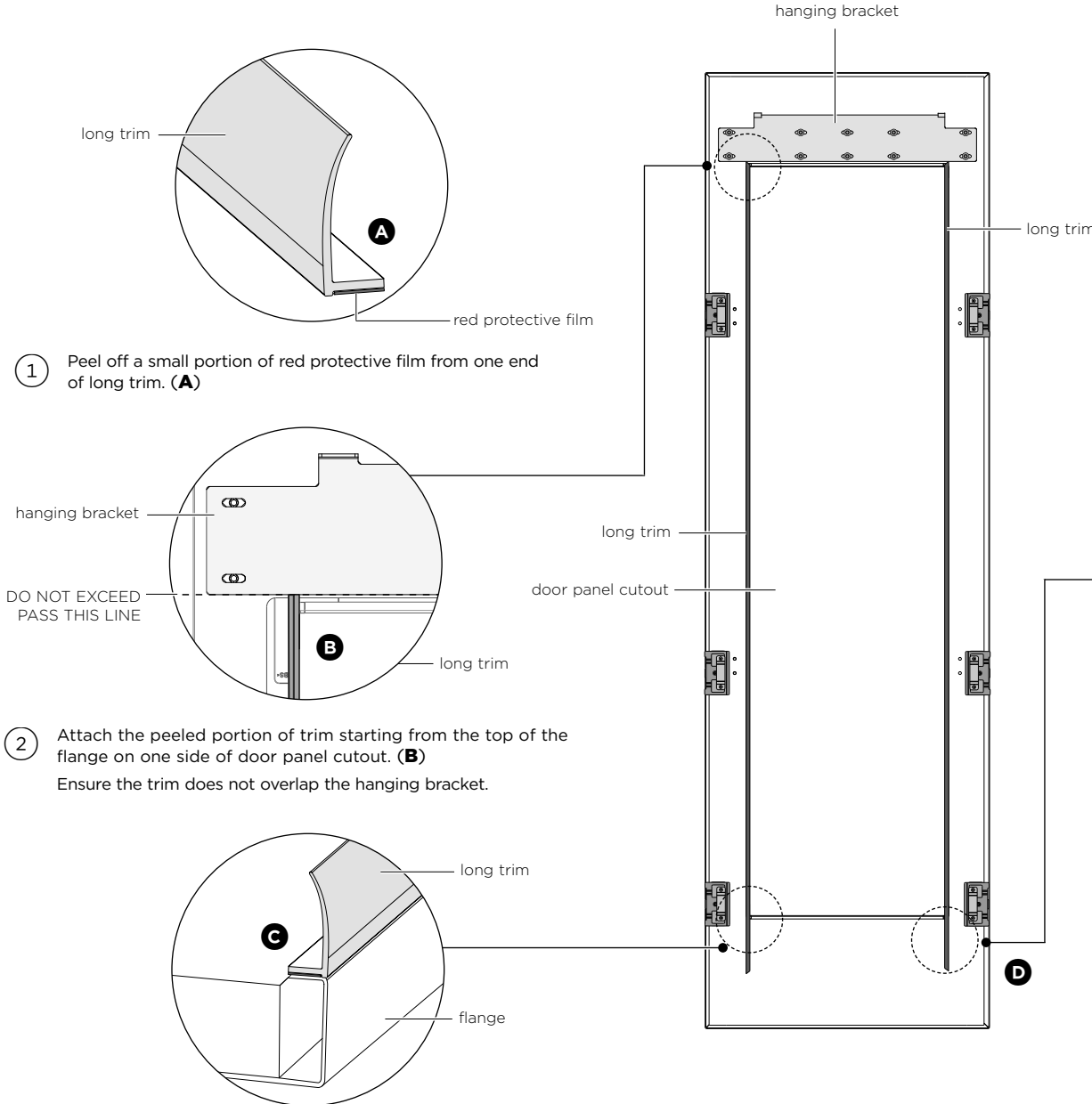
Long trim (2)

Tools



Cutter

Attaching long glass trims



1 Peel off a small portion of red protective film from one end of long trim. **(A)**

2 Attach the peeled portion of trim starting from the top of the flange on one side of door panel cutout. **(B)**
Ensure the trim does not overlap the hanging bracket.

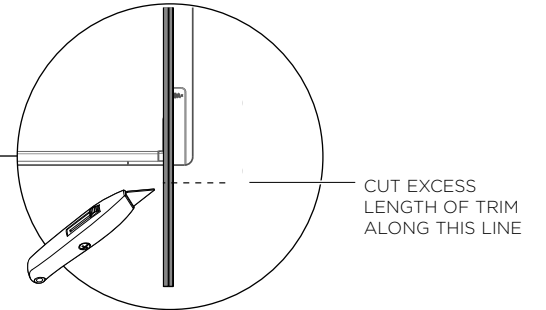
Ensure the trim is aligned flush to inside edge of flange. **(C)**

IMPORTANT!

- Glass trims are attached to cover the gap between the door panel and the glass panel.

3 Continue attaching the long trim for the length of the door panel cutout, peeling off the film as you go.

4 Cut-off the excess length of the bottom end of long trim. **(D)**



Repeat steps 1-4 on the other side of door panel cutout.

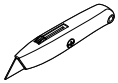
ATTACH DOOR PANEL GLASS TRIM

Installation kit



Short trim (2)

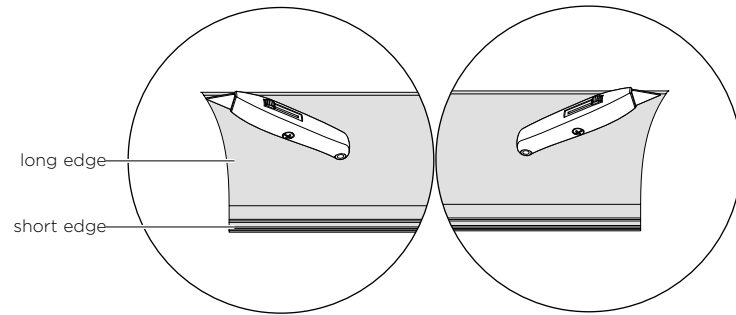
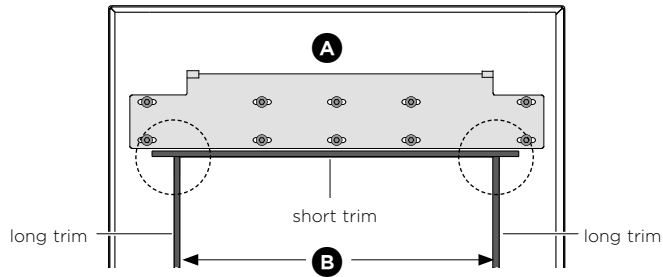
Tools



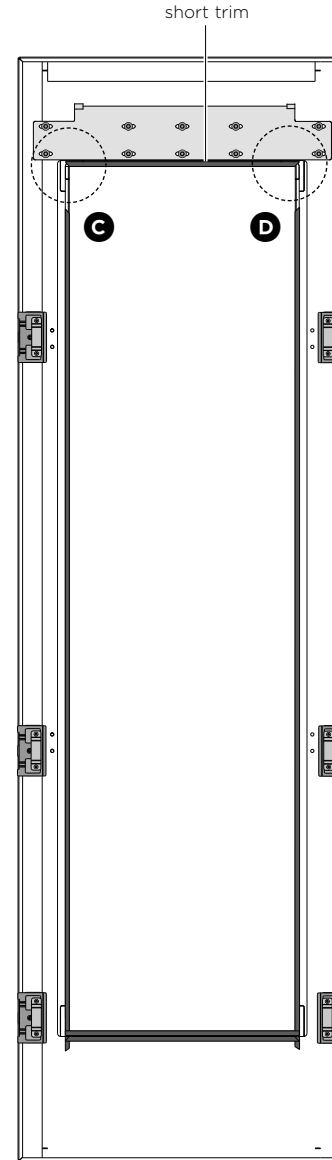
Cutter

Attaching short glass trims

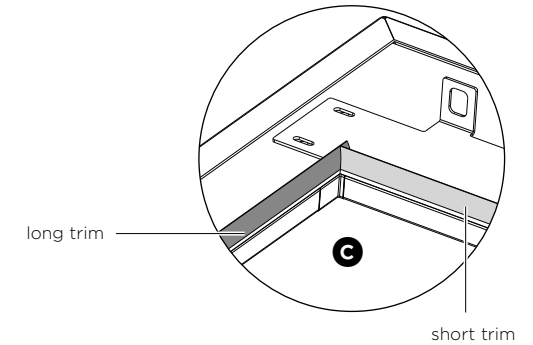
- 1 Place the short trim along the length of the top of door panel cutout to determine the correct length between long trims. **(A)**



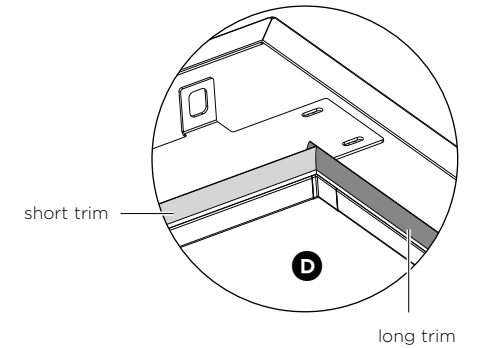
- 2 Cut both ends of the short trim to length. **(B)**
- 3 Peel off a small portion of red protective film from the short edge.



- 4 Attach the peeled portion starting from one end of flange perpendicular to top end of long trim. **(D)**



- 5 Continue attaching the short trim for the length of the top of door panel cutout, peeling off the film as you go. Ensure the trim is aligned flush to inside edge of flange.

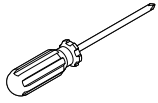


- 6 Attach the remaining peeled portion of short trim to the flange perpendicular to top end of the other long trim. **(D)**

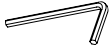
Repeat steps 1- 5 to the bottom of door panel cutout.

INSTALL DOOR PANEL

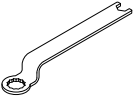
Tools



Cross-head screwdriver

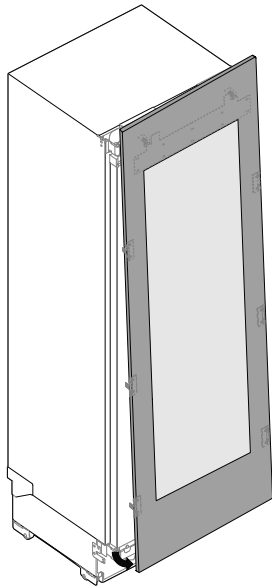


M4 hex key
(1)

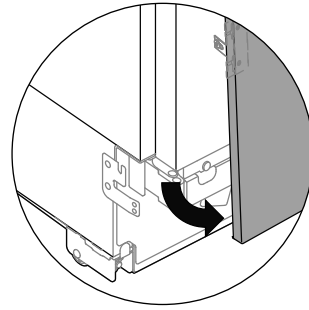


13mm spanner
(1)

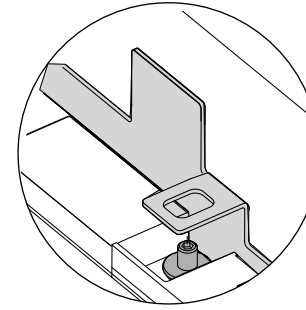
Hanging door panel



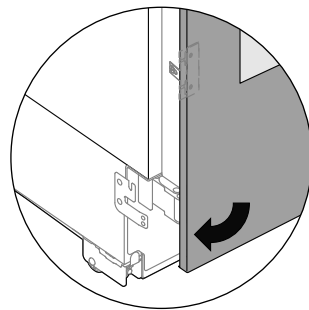
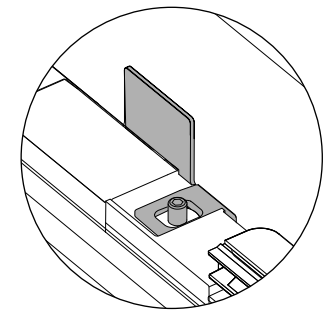
hanging bracket



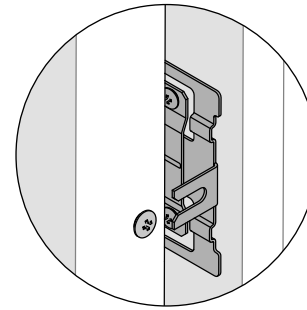
1 Align door panel to door at an angle.



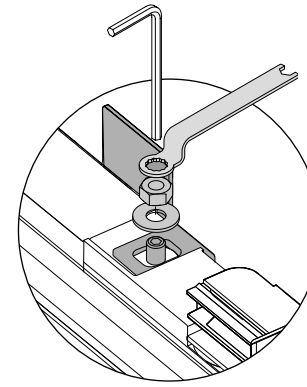
2 Align the holes of the hanging bracket over the adjustment screws and lower the door panel into place.



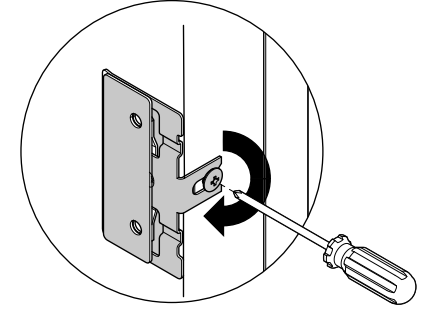
3 Align door panel straight with the door.



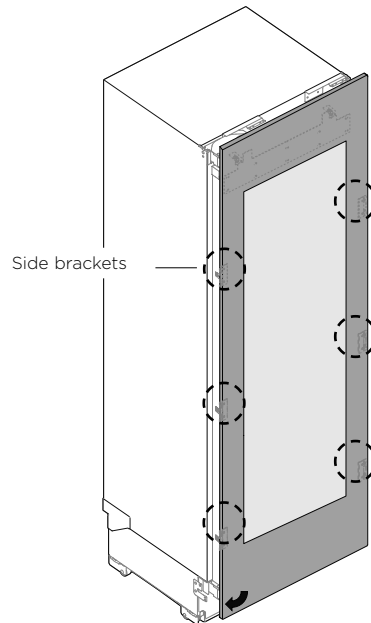
4 Align and slot side brackets of door panel to side screws of door.



5 Loosely screw M8 washer and nut to adjustment screw.



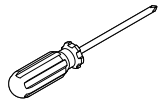
6 Re-tighten side screws to temporarily fix door panel.



Side brackets

INSTALL DOOR PANEL

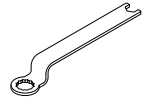
Tools



Cross-head screwdriver

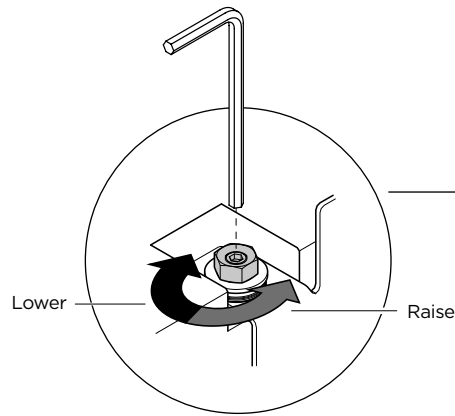


M4 hex key
(1)



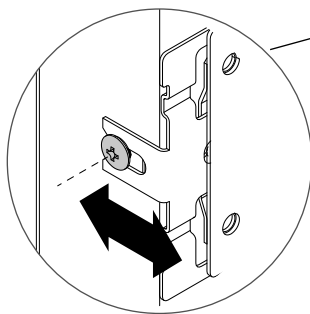
13mm spanner
(1)

Adjusting door panel



1 Height adjustment

Turn Adjustment screw to raise or lower the height of door panel relative to door. Continue adjustment until gap with cabinetry is more than 3mm.

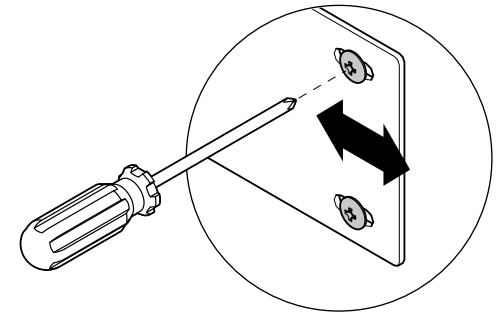
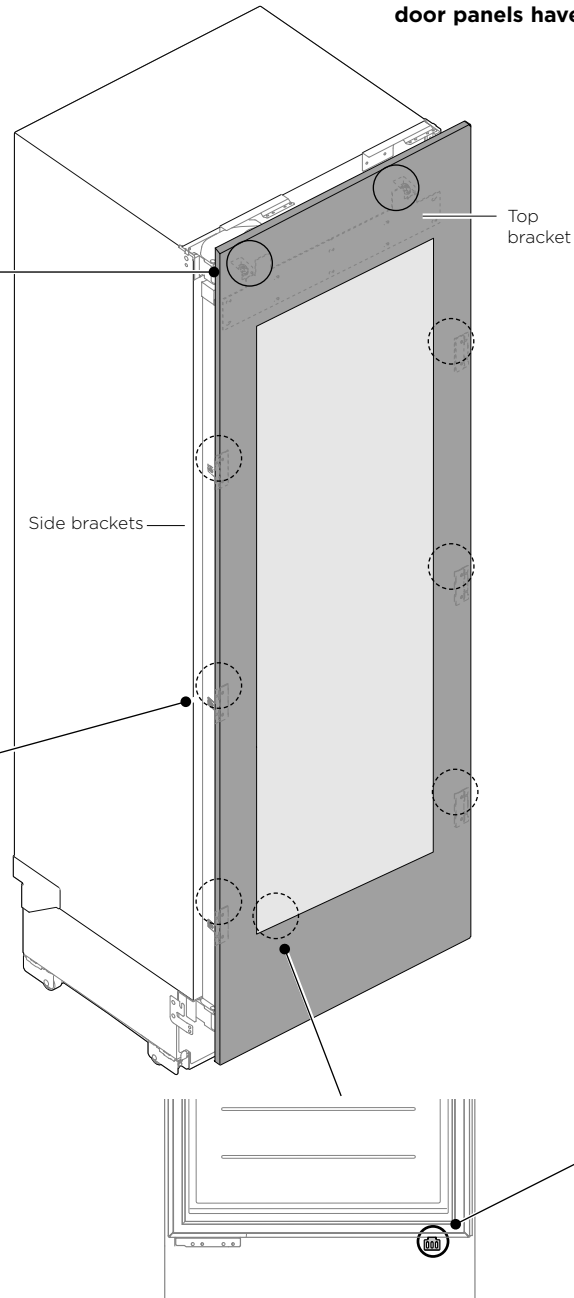


2 Depth adjustment

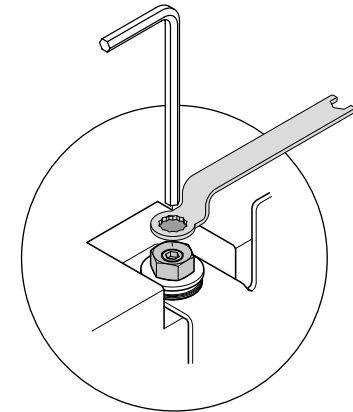
Loosen side screws on both sides of door, and slide door panel forward/backward. Re-tighten once satisfied.

IMPORTANT!

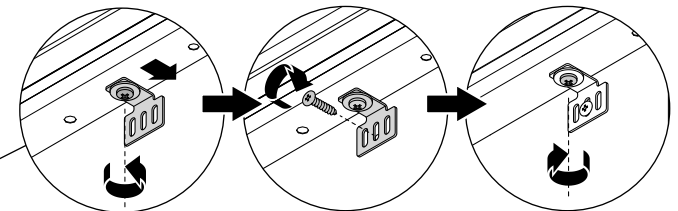
Check gaps 1/8" (3mm) between door panel/cabinetry using depth gauge. All door panels have full axis adjustment to ensure flushness with adjacent walls.



3 To adjust door panel further, remove door panel then loosen the fixing screws of hanging bracket and move the bracket sideways to suit.



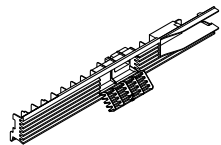
4 Once satisfied with door panel position, fully tighten M8 washer and nut to adjustment screw.



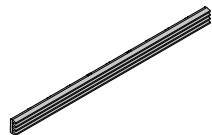
5 Loosen screw at bottom of door, and slide locking bracket until it touches the panel. Fix the locking bracket to door panel with 8Gx16 countersunk screw.

INSTALL TOE KICK MOUNTING PLATE

Toe kick grilles

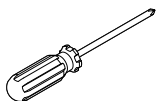


Top grille
(1)

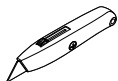


Bottom grille
(1)

Tools

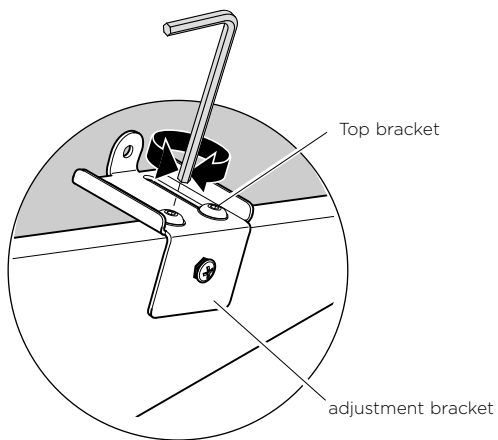
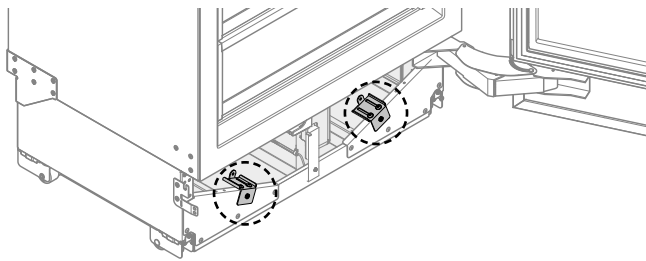


Cross-head screwdriver

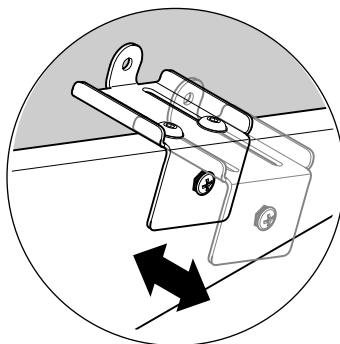


Cutter

Adjusting toe kick grille

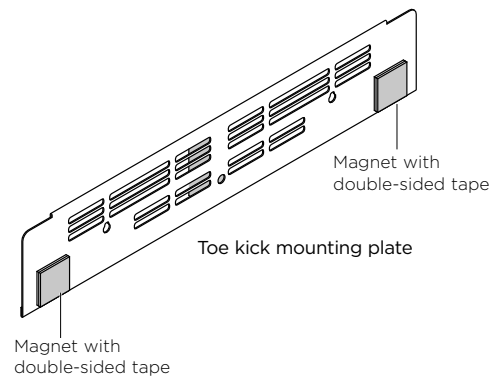


① Loosen cap screws of adjustment brackets on both sides of plinth with a hex key.

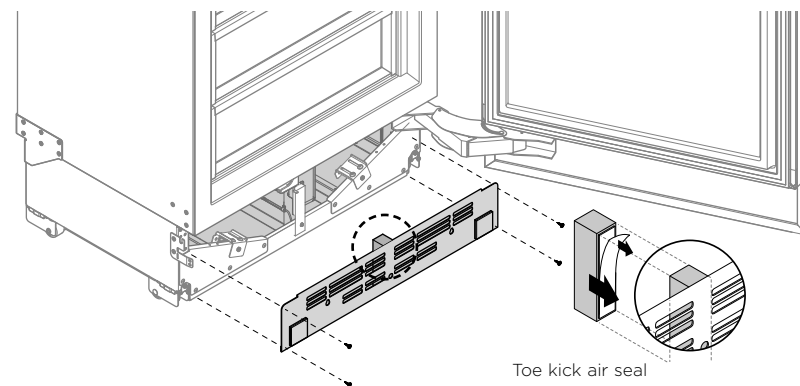


② Adjust the toe kick to the desired depth by moving it forward/backward. Re-tighten cap screws once satisfied.

Installing toe kick mounting plate



③ Reinstall toe kick mounting plate to plinth using same screws set aside previously.
NOTE: If toe kick depth is less than 92mm, attach an air toe kick seal to the mounting plate.
- Peel off the adhesive tape of air toe kick seal and attach to middle of back side of mounting plate. **(A)**



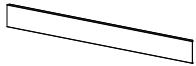
INSTALL TOE KICK AND GRILLES

Miscellaneous components



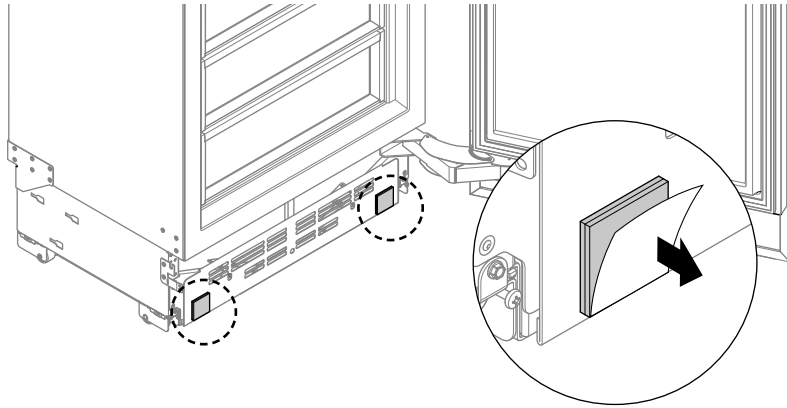
Air toe kick seal (1)

Toe kick install kit

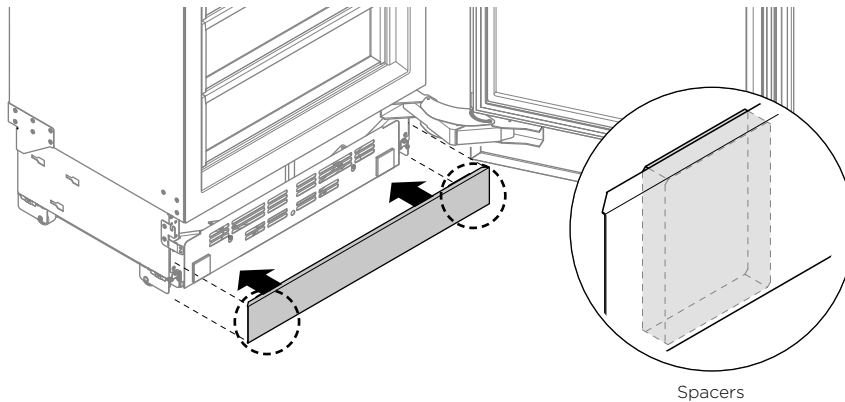


Toe kick (1)

Installing toe kick



- 1 Peel off the adhesive tape backing of the magnets.

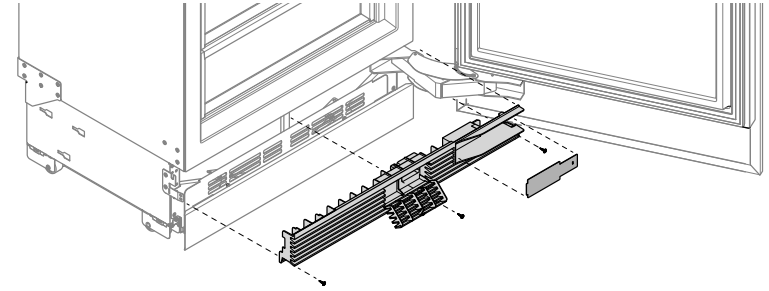


- 2 Position toe kick in front of mounting plate, with spacers on toe kick aligned with magnets of mounting plate. Press toe kick onto mounting plate to fix the position.

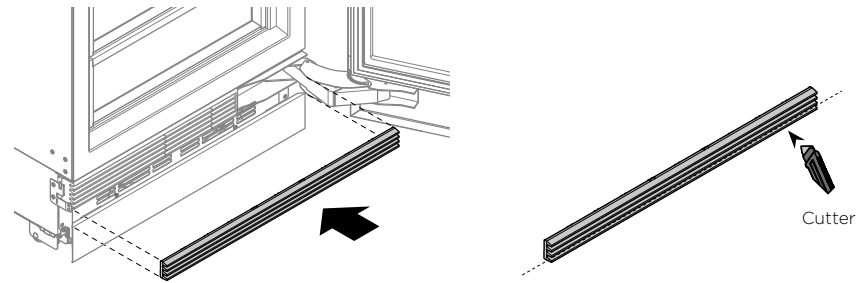
IMPORTANT!

- For custom toe kick, spacers are not needed.
- For correct dimensions of toe kick, refer to 'Toe kick panel dimensions' for more information.

Attaching top and bottom grilles

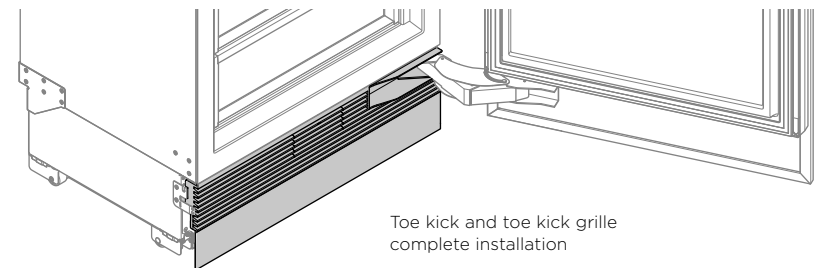


- 3 Reinstall top grille using same screws set aside previously, and reattach cover to bottom hinge pocket.



- 4 Reinstall the bottom grille to the mounting plate.

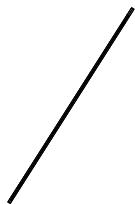
NOTE: For toe kick heights 114-127mm, shorten the bottom grille by cutting along the vertical ribs.



Toe kick and toe kick grille complete installation

INSTALL CABINET TRIMS

Dual install joiner kit

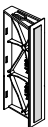


Centre trim (1)

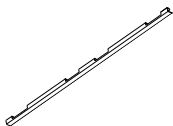


Dual-lock strip (4)

Miscellaneous components

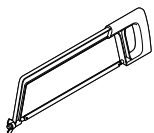


Flow divider cap (1)



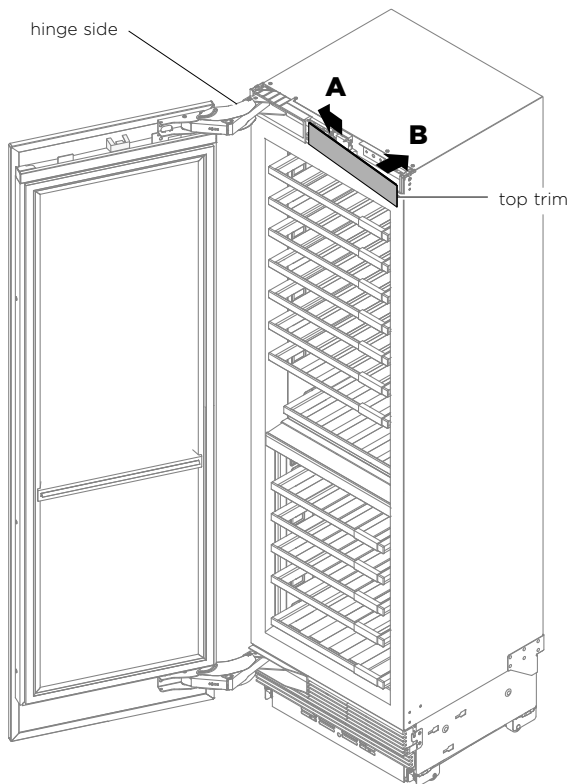
Door panel side extrusion (2)

Tools



Hacksaw

Re-installing top trim



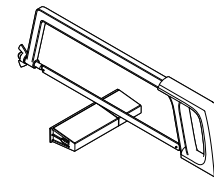
- ① Peel off the liners from the dual-lock strips.
- ② Slide the top trim into hinge pocket of appliance (A), and then engage dual lock at non-hinge side (B).

Re-installing flow divider

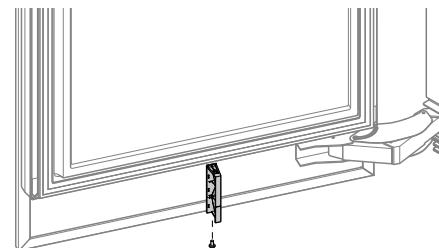
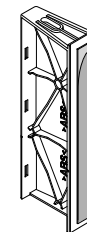
The flow divider blocks the air flow from bypassing in front of the bottom grille.

IMPORTANT!

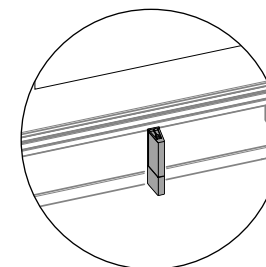
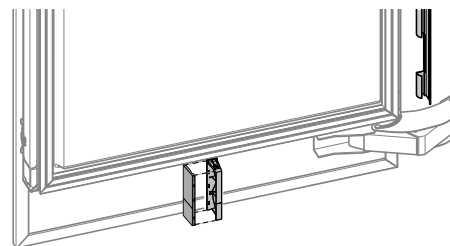
- For toe kick height greater than 102mm, shorten the air flow divider.
- Cut along the outline on both the divider and divider cover before installation to the door.
- Ensure to file the cut portions of the divider and cover.



- ③ Remove adhesive layer off the flow divider.



- ④ Press flow divider firmly against door panel. Ensure adhesive layer contacts door panel. Screw in flow divider using same screw.



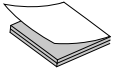
- ⑤ Attach flow divider cap to flow divider.

INSTALL CABINET TRIMS

Install parts

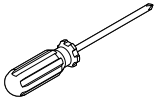


Cabinet side trim assembly (2)

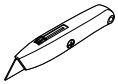


Dual-lock strip (4)

Tools



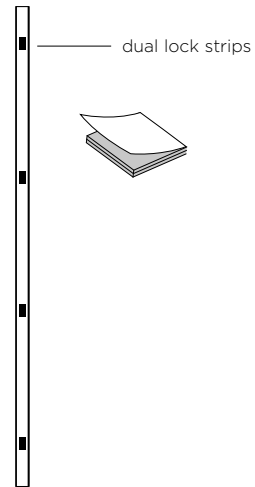
Cross-head screwdriver



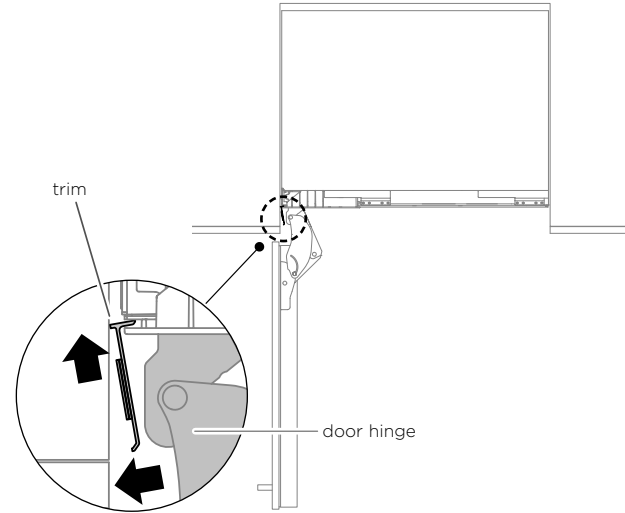
Cutter

Installing side trims

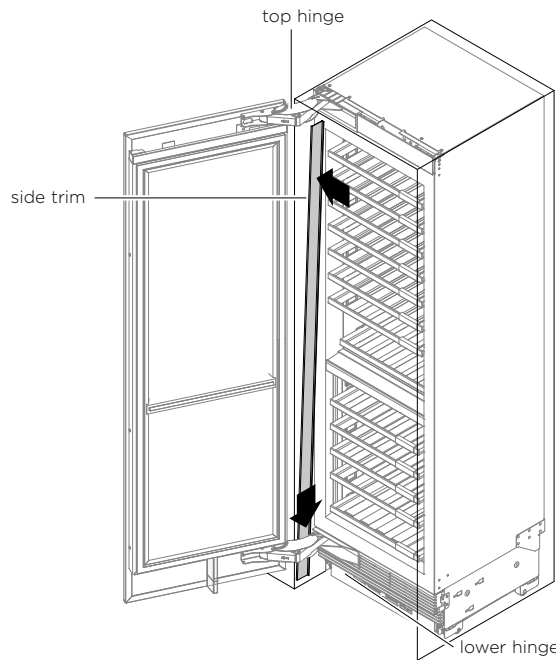
Four (4) dual-lock strips are pre-installed along each side trim.



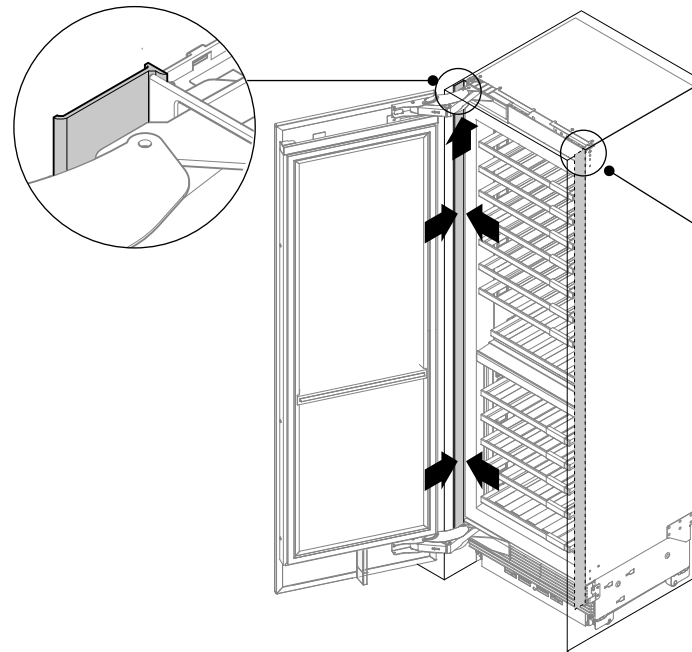
① Peel off the liners from the dual-lock strips.



② Position the trim on the throat at an angle.



③ Slide trim behind lower hinge, then top hinge. Hold the same angle when sliding the trim.



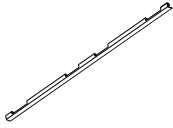
④ Slot trim in behind top hinge pocket, then press adhesive to cavity ensuring trim is also tight against appliance inner face.

IMPORTANT!

- Press firmly on the dual-lock strip locations to ensure the side trims are securely attached.
- Repeat steps 1-4 to the other side trim.

INSTALL DOOR TRIMS

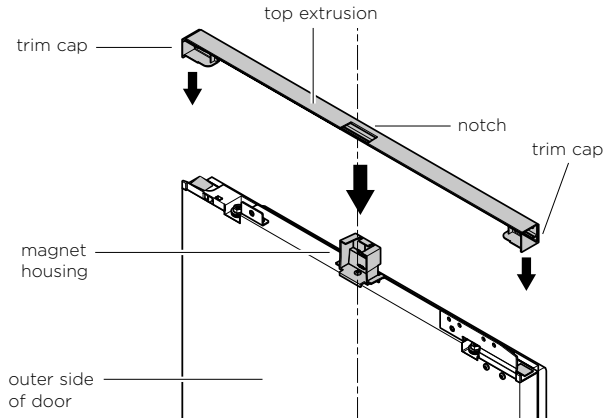
Miscellaneous components



Door panel side extrusion (2)

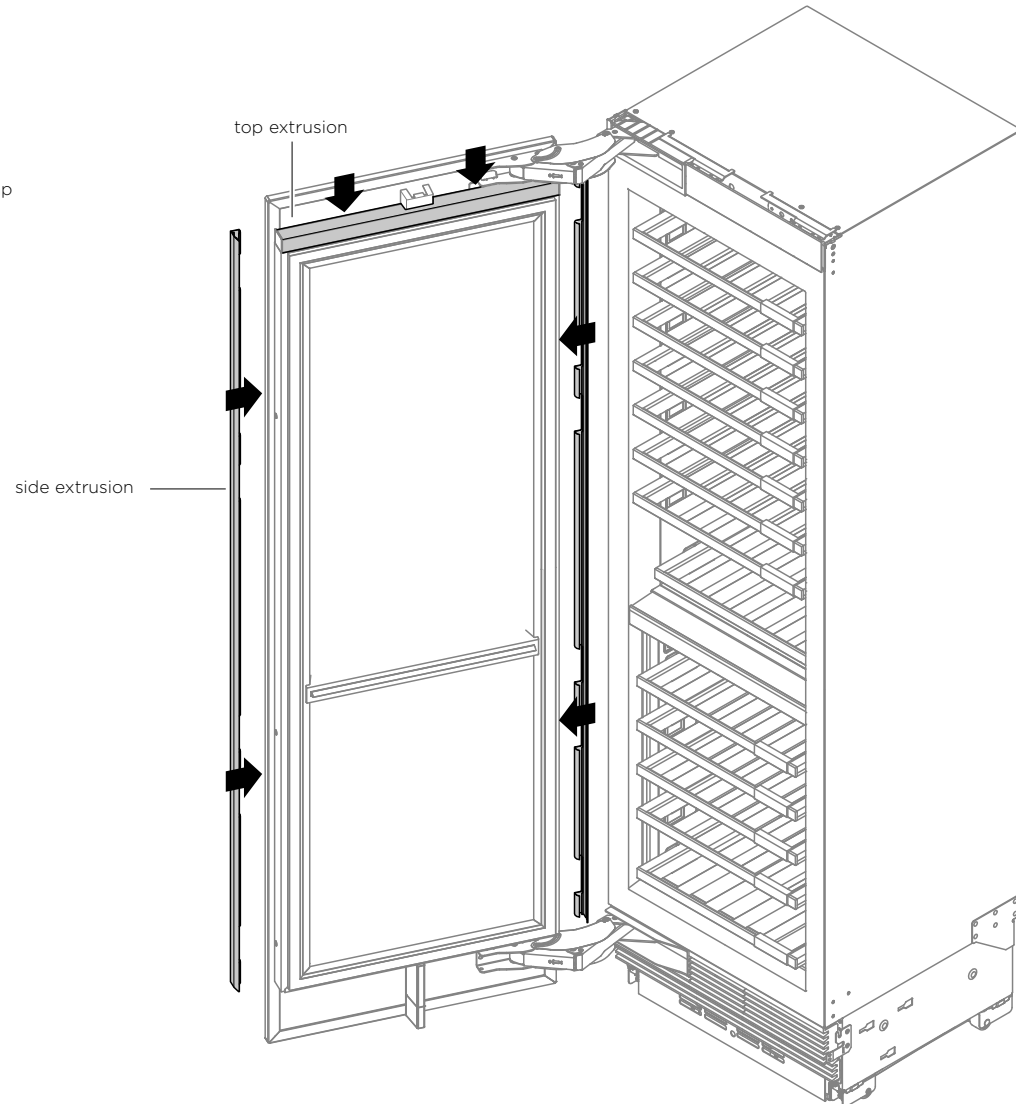
Installing door trims

- 1 Position door panel top extrusion to top of door. Align notch with magnet housing. Clip trim caps at both ends of top extrusion.



- 2 Peel off the liners from the dual-lock strips. Press top extrusion down so that dual lock strips engage each other.

- 3 Press side extrusions to fit into the right and left side gaps between door and door panel. Align top of side extrusions to fit with right and left ends of top extrusion.

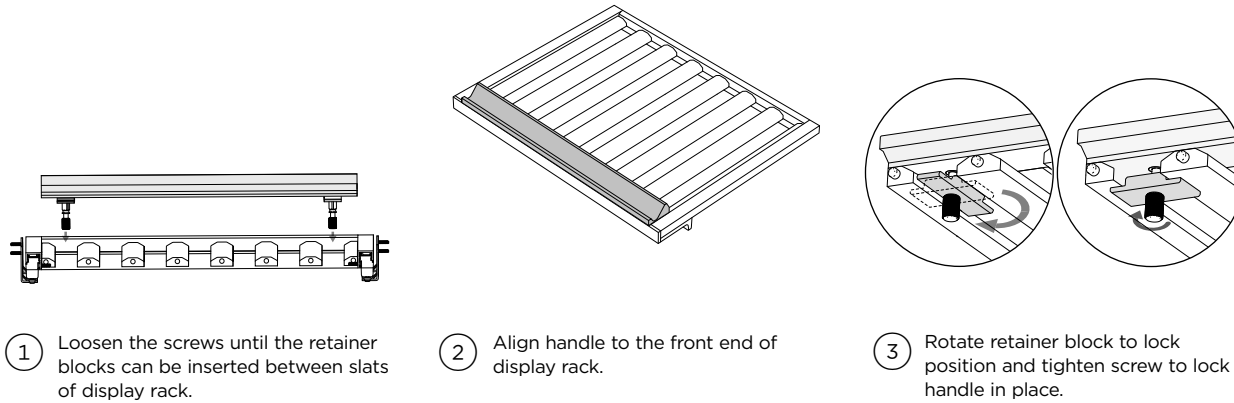


WINE DISPLAY

Installing wine display kit

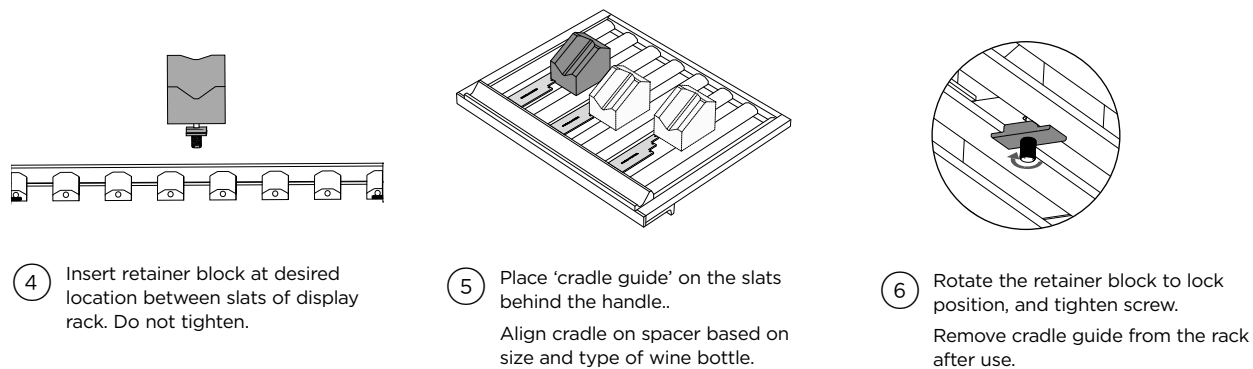
Handle assembly

Retainer blocks are pre-assembled at the bottom of both ends of the handle.



Cradle assembly

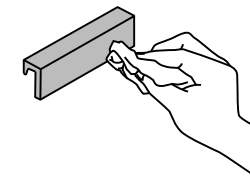
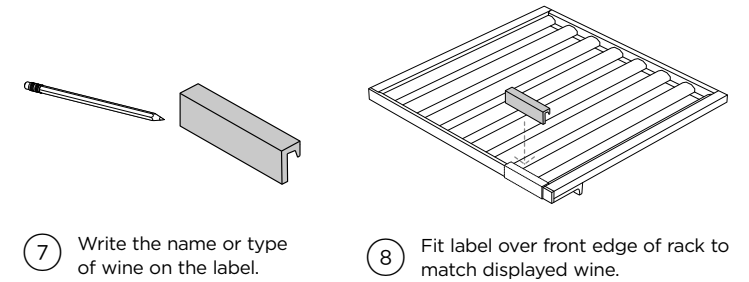
A retainer block is pre-assembled at the bottom of each cradle.



IMPORTANT!

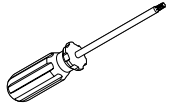
Use spacer to correctly position cradle and avoid wine bottles being too upright resulting in bottles tipping over.

Installing wine label kit

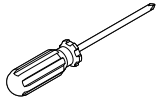


OPTIONAL – CHANGE DOOR HINGES

Tools



T2 star-head screwdriver



Cross-head screwdriver



Hex key

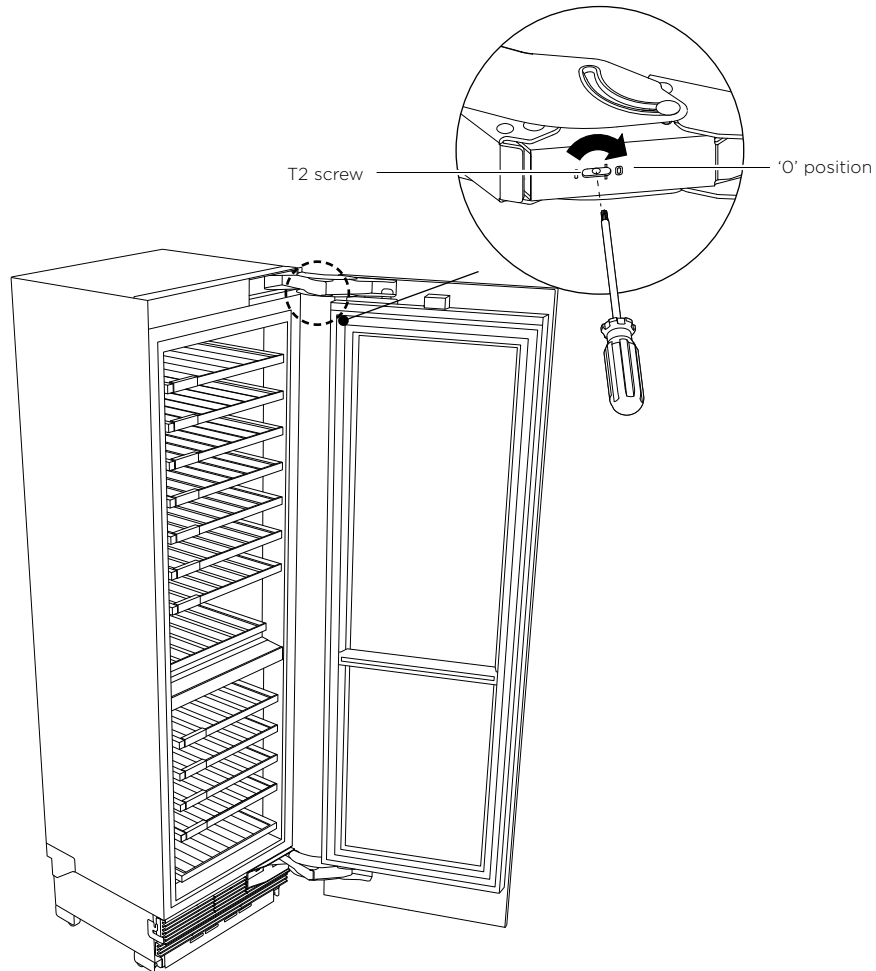
You have the option to change the door hinge side of your appliance from right hand hinge to left hand hinge or vice versa. A hinge change kit is required for this installation, and must be purchased separately.

IMPORTANT!

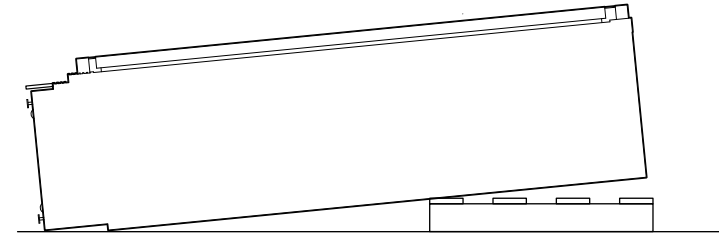
- We recommend to lay the appliance (door closed) onto its back on the pallet when removing the door hinges.

Removing the door

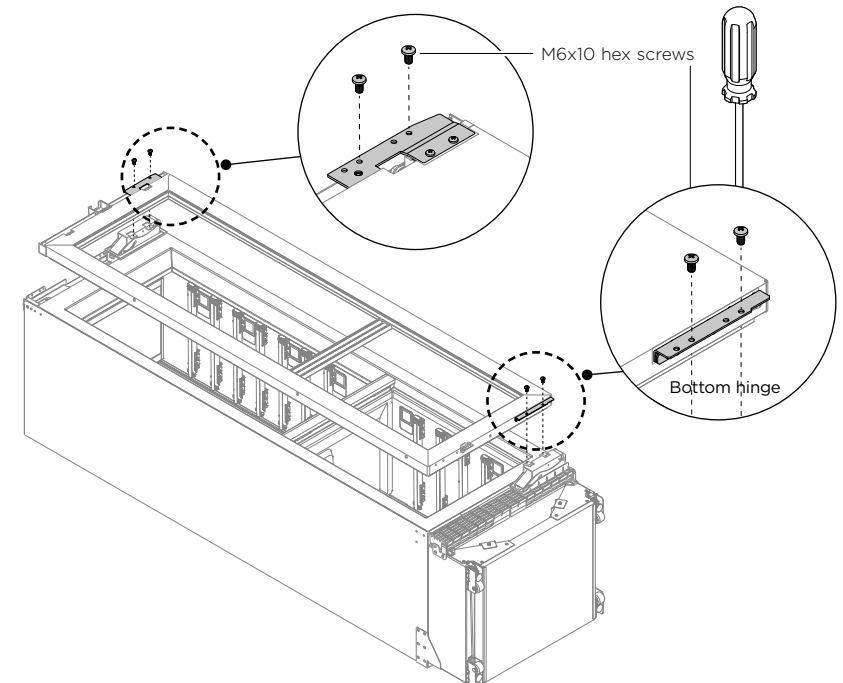
- 1 Release the hinge spring by turning the T2 screw in the hinge to '0' position.



- 2 Close the door and lay the appliance on its back on the pallet.



- 3 Detach the door from the appliance by unscrewing the door hinge M6x10 hex screws at the top and bottom hinges.

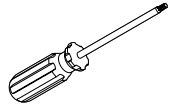


IMPORTANT!

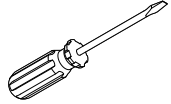
Ensure that you remove all the shelves, covers and trims from the appliance before changing the hinges. Take care not to damage the door.

OPTIONAL – CHANGE DOOR HINGES

Tools



T2 star-head screwdriver



Flat-head screwdriver

Removing top door hinge

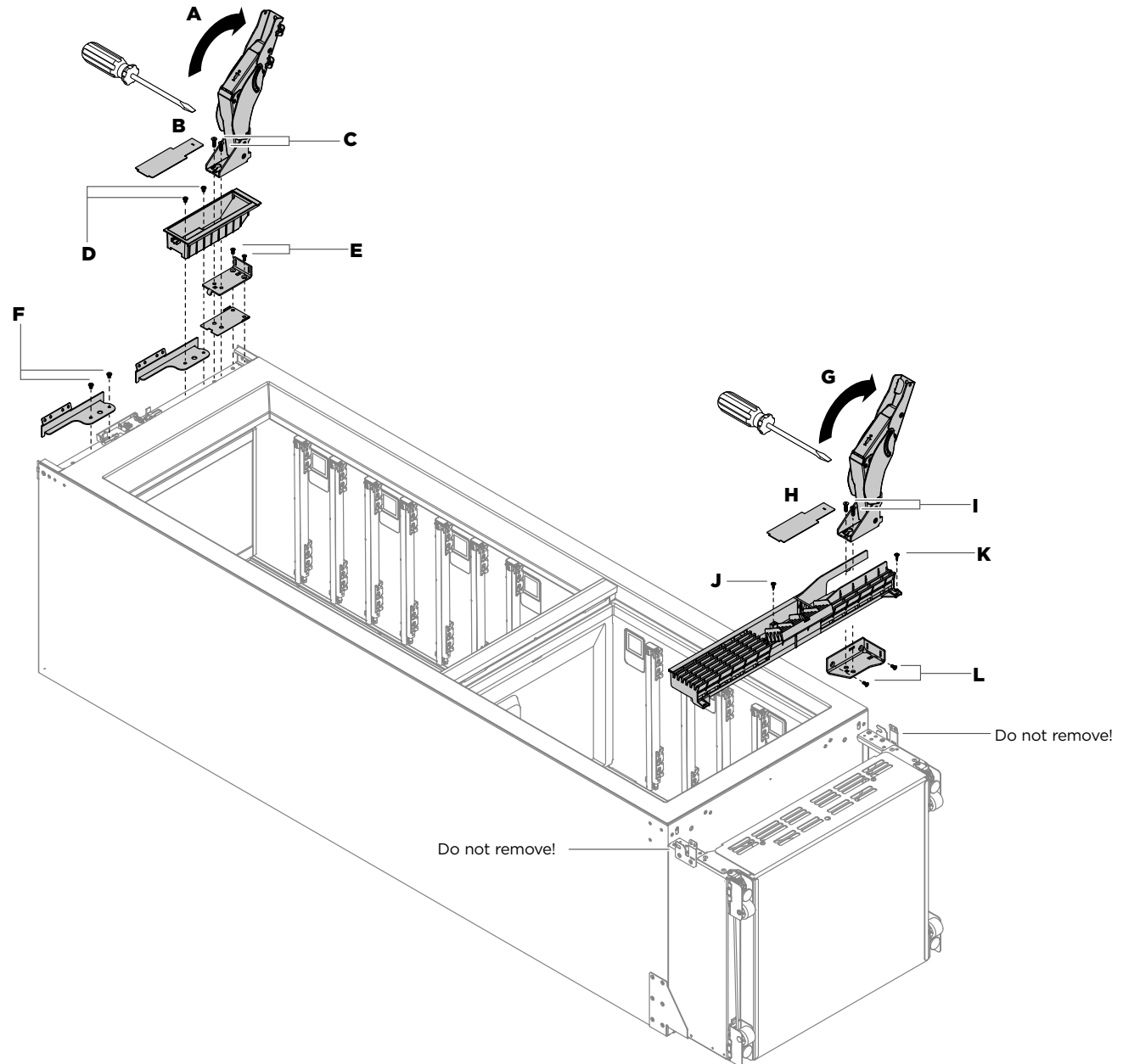
- 1 Rotate the top hinge (**A**) outwards and remove the top hinge pocket cover (**B**) using the flat head screwdriver in the slot of the cover.
- 2 Unscrew M5x12 pan head screws (**C**) to remove top hinge, and set aside to use later.
- 3 Unscrew M5x12 pan head screws (**D**) from hinge pocket to remove hinge pocket and top alcove bracket.
- 4 Unscrew M5x12 countersunk screws (**E**) to remove top hinge bracket and spacer.
- 5 For the non-hinge side, remove the top alcove bracket by unscrewing the M5x12 pan head screws (**F**).

Removing bottom door hinge

- 6 Rotate the bottom hinge (**G**) outwards and remove bottom hinge pocket cover (**H**) using a flat head screwdriver in the slot.
- 7 Unscrew the M6x16 countersunk screws (2x) (**I**) to remove the hinge.
- 8 Open the water filter hatch on the bottom (fixed) grille and unscrew the #8x16 screw (**J**) while holding the grille in place.
- 9 Unscrew the #8x16 screws (**K**) from the bottom left and right of the bottom grille to remove the grille.
- 10 Unscrew M6x16 countersunk screws (**L**) to remove bottom hinge bracket.

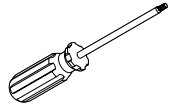
IMPORTANT!

Do not remove plinth-to-cabinet retention brackets!

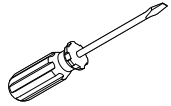


OPTIONAL – CHANGE DOOR HINGES

Tools

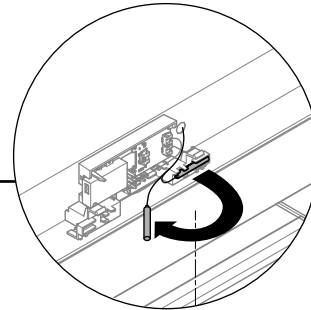
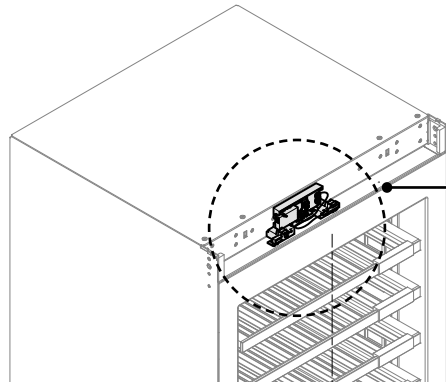


T2 star-head screwdriver

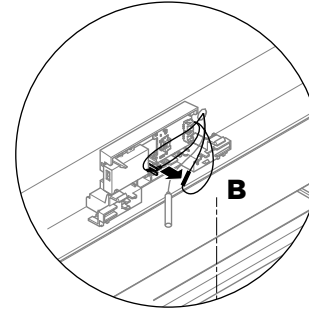


Flat-head screwdriver

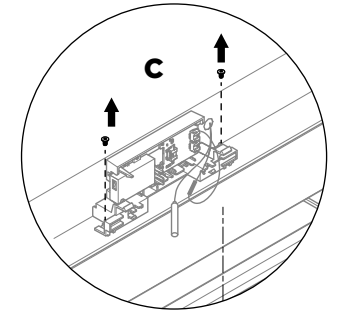
Moving the sensor housing



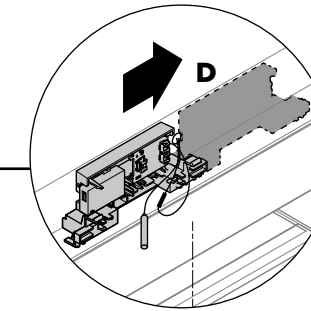
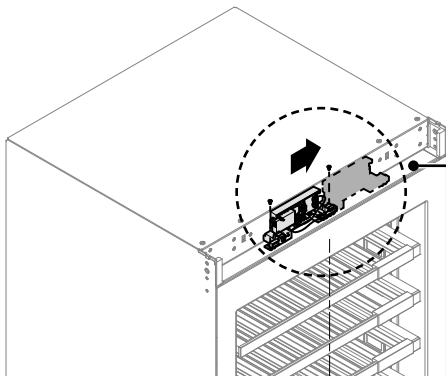
- ① Unclip the reed switch from the housing (A).



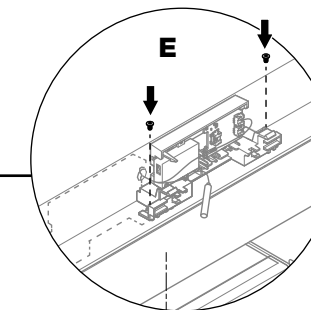
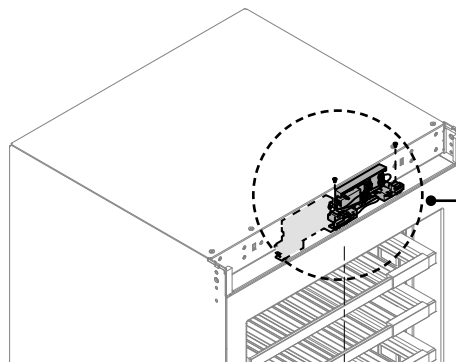
- ② Unhook the interceptor board harness from the sensor housing so harness is loose (B).



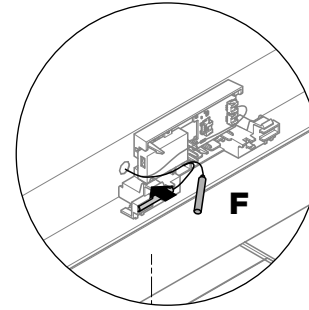
- ③ Remove the #8x16 screws (2x) from the sensor housing (C).



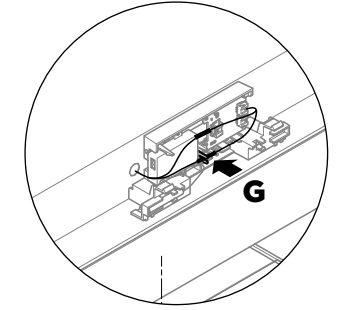
- ④ Move the sensor housing so that the opposite reed switch clip is aligned with the centre of the cabinet (D).



- ⑤ Reinstall the sensor housing using #8x16 screws (2x) into the pre-drilled holes in the cabinet top panel (E).



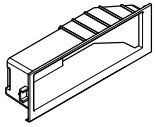
- ⑥ Clip the reed switch into the sensor housing in the pocket closest to the centreline of the cabinet (F).



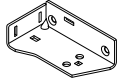
- ⑦ Press the harness from the interceptor board into the forks on the sensor housing (G).

OPTIONAL – CHANGE DOOR HINGES

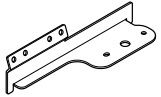
Hinge change assembly



Hinge (right or left) top pocket (1)

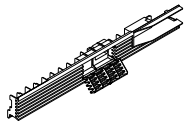


Lower (right or left) hinge bracket (1)



K05 top (right or left) adapter bracket (1)

Top (fixed) grille assembly



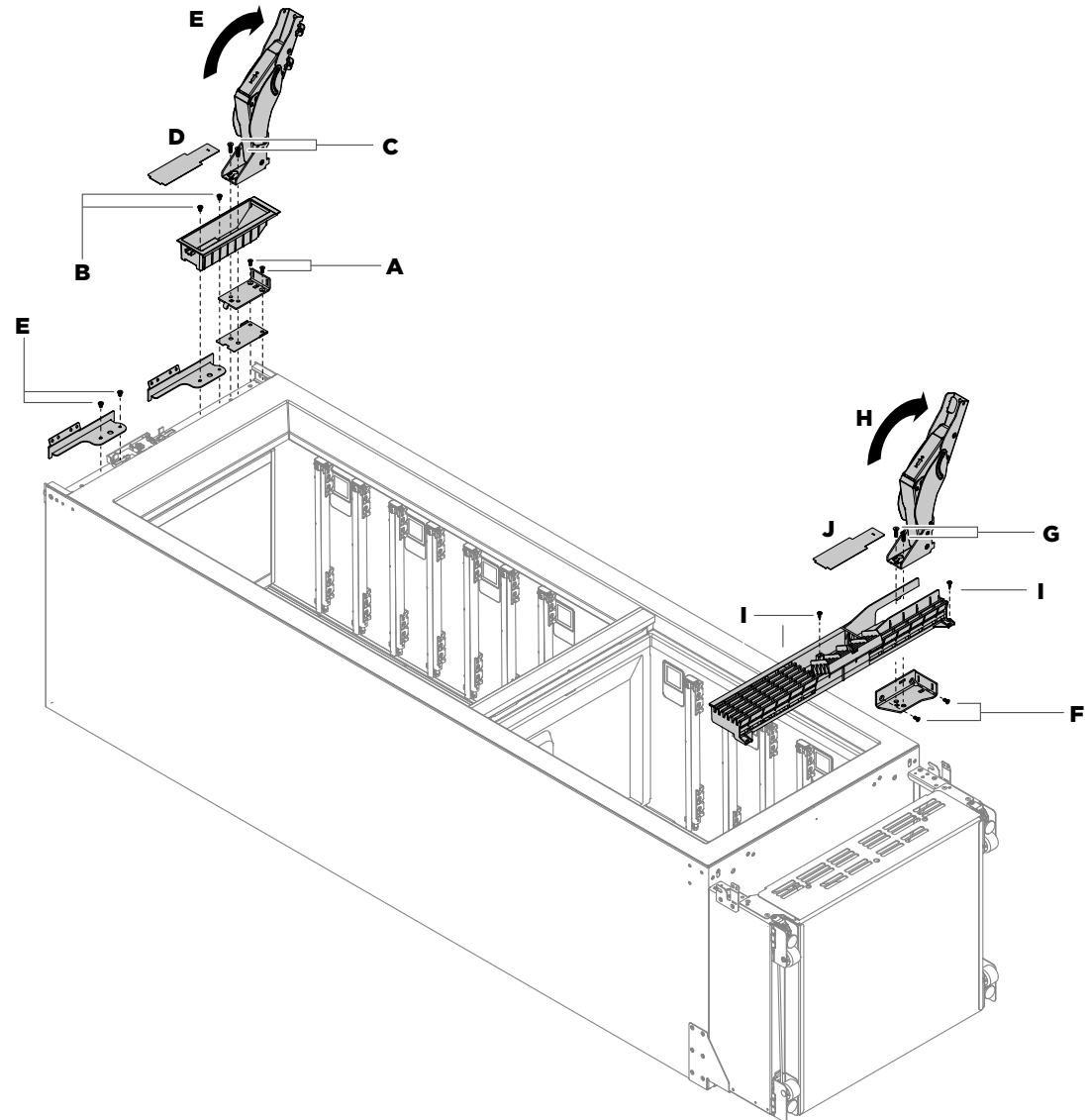
Top (fixed) grille (1)

Top hinge installation

- ① Reinstall the hinge top bracket and bracket spacer with M5x12 countersunk screws (A) on the new hinge side at the other side of the appliance.
- ② Install the new hinge pocket and alcove top bracket on the new hinge side using two (2x) M5x12 pan head screws (B).
Note: The new hinge pocket and alcove top bracket are supplied with the hinge kit.
- ③ Install the new hinge in the new hinge pocket by screwing M5x12 pan head screws (2x) (C).
- ④ Open the hinge and reinstall the top hinge pocket cover (D) to the top hinge pocket.
- ⑤ Install a new alcove top bracket on the new non-hinge side (E).

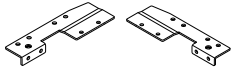
Bottom hinge installation

- ⑥ Install a new lower hinge bracket on the new hinge side with M6x16 screws (2x) (F).
- Ensure that the tab on the top of the bracket inserts into the slot in the plinth front bracket.
- ⑦ Use the hinge that was removed from the top of the appliance and insert the tabs into the hinge lower bracket. Rotate the hinge into place and fix with M5x12 countersunk screws (2x) (G).
- ⑧ Open the hinge (H), and install the new top (fixed) grille assembly.
- ⑨ Fasten in place with #8x16 screws (3x) (I). One each at the bottom left and right of the grille and one behind the water filter hatch.
- ⑩ Reinstall the bottom hinge pocket cover to the new hinge pocket (J).

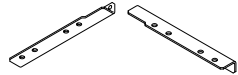


OPTIONAL – CHANGE DOOR HINGES

Hinge change assembly

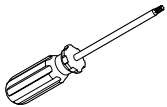


K05 top adaptor bracket R/L (1)

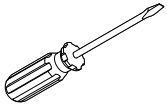


K05 bottom adaptor bracket R/L (1)

Tools



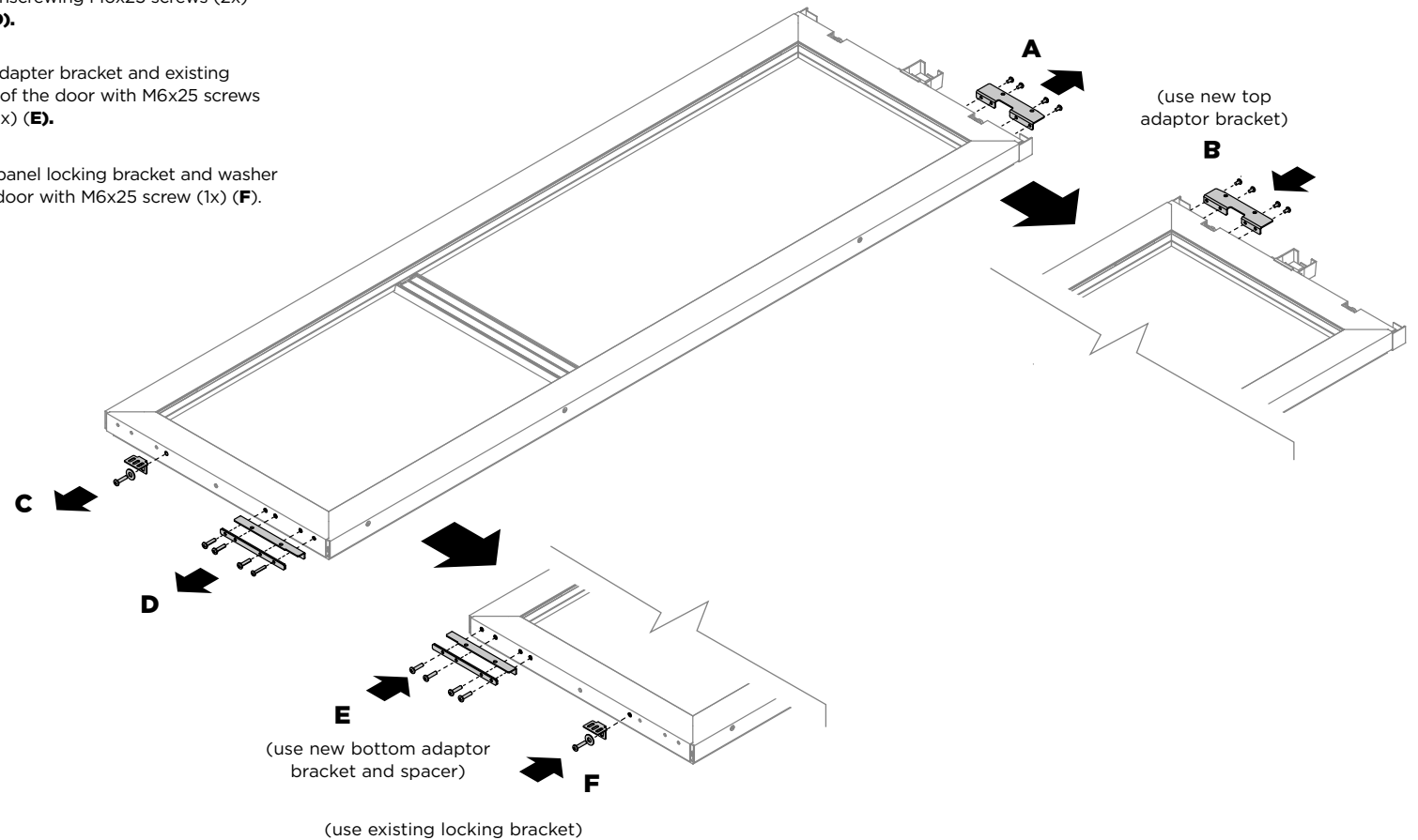
T2 star-head screwdriver



Flat-head screwdriver

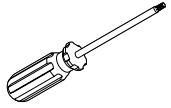
Door brackets

- 1 Remove the top adapter bracket from the top of the door by unscrewing M5x10 screws (4x) **(A)**.
- 2 Install the **new** top adapter bracket into the other side of the top of the door with M5x10 screws (4x) **(B)**.
- 3 Remove the door panel locking bracket and washer from the bottom of the door by unscrewing M6x25 screw (1x) **(C)**.
- 4 Remove the bottom adapter bracket and spacer from the bottom of the door by unscrewing M6x25 screws (2x) and M5x30 screw (1x) **(D)**.
- 5 Install the **new** bottom adapter bracket and existing spacer to the other side of the bottom of the door with M6x25 screws (2x) and M5x30 screw (1x) **(E)**.
- 6 Install the existing door panel locking bracket and washer to the other side of the door with M6x25 screw (1x) **(F)**.

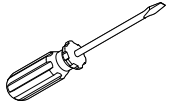


OPTIONAL – CHANGE DOOR HINGES

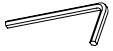
Tools



T2 star-head screwdriver



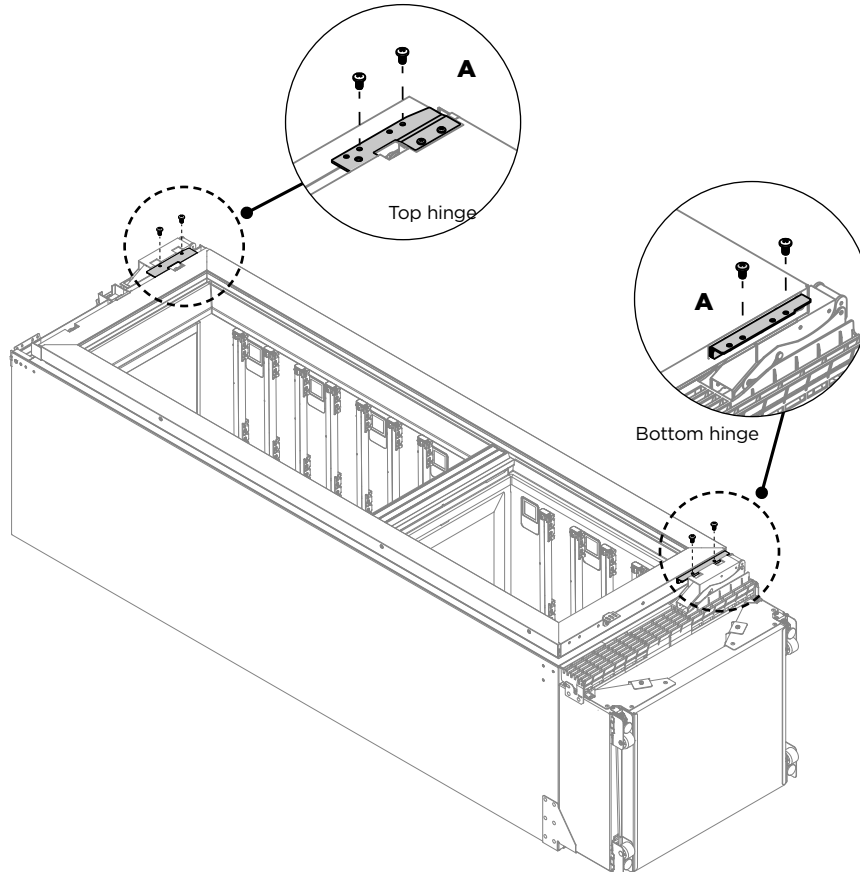
Flat-head screwdriver



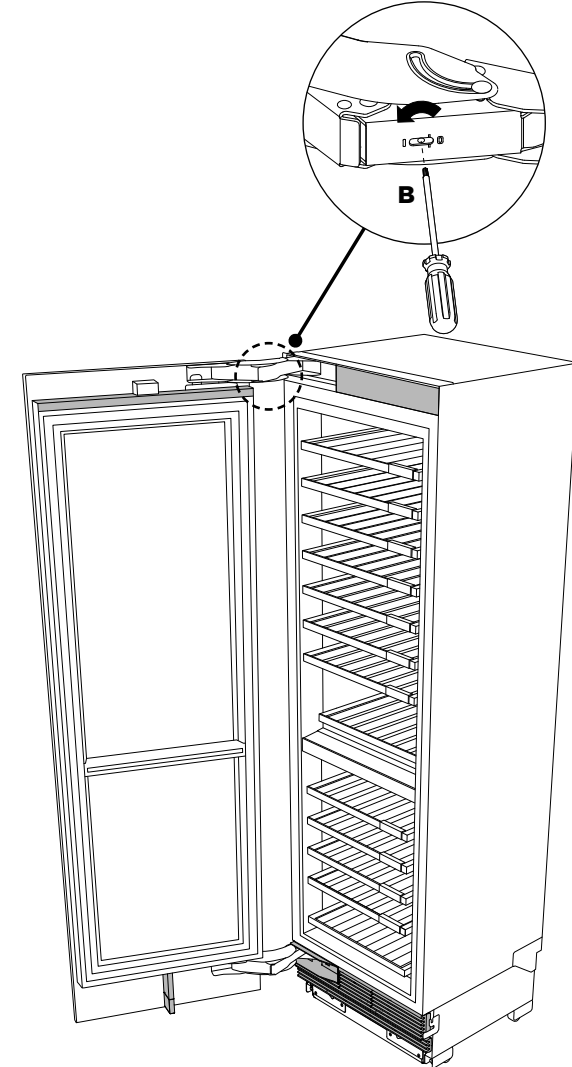
Hex key

Door installation

- 1 Reinstall the door to the appliance using M6x10 hex screws (4x) into the hinges (**A**).



- 2 Activate the hinge spring by turning the star T20 screws to the I position (**B**).



- 3 Return the appliance to the upright position, and reinstall all covers and trims.

FINAL CHECKLIST



TO BE COMPLETED BY THE INSTALLER

All models

- Check all parts are installed.
- Ensure the appliance is level.
- Ensure the appliance is securely fastened to the cabinetry with the supplied anti-tip bracket and fittings.
- Ensure the door can open and close freely with no resistance from surrounding cabinetry.
- Ensure hinge limiting pin is fitted for 90° door swing.
- Ensure all internal and external packaging is removed from the appliance before use.

Complete and keep for safe reference:

Model _____

Serial No. _____

Purchase Date _____

Purchaser _____

Dealer Address _____

Installer's Name _____

Installer's Signature _____

Installation Company _____

Installation Date _____

FISHERPAYKEL.COM

© Fisher & Paykel Appliances 2019. All rights reserved.
The appliance specifications in this document apply to the specific appliances and models described at the date of issue. Under our policy of continuous appliance improvement, these specifications may change at any time. You should therefore check with your Dealer to ensure this document correctly describes the appliance currently available.

NZ AU GB IE SG HK

863021A 11.19