



This comprehensive Planning Guide provides you with the framework and tools to achieve your desired design outcome with Fisher & Paykel appliances. In this guide, you will find a range of conceptual, detailed, and dimensional product information to bring your ideas to life and create spaces that truly reflect your vision.

**CONTENTS**

CONCEPT DESIGN	PAGE	DEVELOPED AND DETAILED DESIGN	PAGE	DEVELOPED AND DETAILED DESIGN	PAGE
<b>Specification Guide</b>	<b>3</b>	<b>Data Sheet</b>	<b>10</b>	Planning Guide information for Developed and Detailed Design available in <b>Q3 2024</b>	
Specification Guide - Refrigerator Freezer 91 cm	<b>4</b>	RS9121WRUVE1, RS9121WLUVE1	<b>11</b>		
		Panel preparation	<b>12</b>		
<b>Platform Overview</b>	<b>6</b>				
Design Choices - Integrated Columns	<b>7</b>				
Accessories Overview - Door Panels, Handles	<b>8</b>				
Accessories Overview - Toe Kicks, Joiner Kits	<b>9</b>				

## SPECIFICATION GUIDE



RS9121WLUVE1 - with Stainless Steel Door Panel



RS9121WRUVE1 - with Custom Door Panel

**OVERVIEW**

Designed to fit flush with cabinetry with minimal 3mm gaps, this Integrated Refrigerator can be installed individually or paired with other Integrated models. For true design freedom, it can be installed with stainless steel or custom door panels. ActiveSmart™ Foodcare helps keep food fresher for longer, while the Variable Temperature Drawer can be adjusted to Chill, Fridge, or Pantry modes, to suit different types of food.

**PRODUCTS**

**RS9121WRUVE1** Integrated Refrigerator Freezer, 91.4cm, Ice & Water, Right Hand Hinge  
(All models can achieve opposite hinge location using the supplied parts)

**RS9121WLUVE1** Integrated Refrigerator Freezer, 91.4cm, Ice & Water, Left Hand Hinge  
(All models can achieve opposite hinge location using the supplied parts)

**SERIES**

Series 11

**FEATURES**

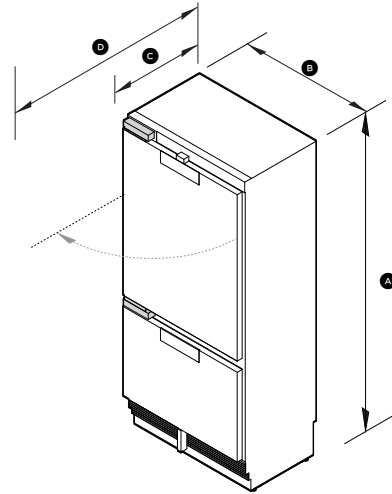
- ① Fits with stainless steel or custom door panels
- ② Independent Variable Temperature Drawer can change between Chill, Fridge, or Pantry modes to suit different foods
- ③ Flush fit with 3mm gaps and custom height installation
- ④ Automatic ice maker and internal water dispenser
- ⑤ ActiveSmart™ Foodcare helps keep food fresher for longer
- ⑥ Easy to use touch-control panel and WiFi capability
- ⑦ LED-lit and adjustable cantilevered shelving
- ⑧ Stainless steel interior lining with robust hinges
- ⑨ Perfectly pairs with other integrated models for flexible configurations

The models shown in this Planning Guide may not be available in all markets and are subject to change at any time. Product specifications may vary from those shown. This Planning Guide should not be used as installation guidance for any product. Further information is required to safely and correctly install the products featured here. Specific installation guidance will be available on our website [fisherpaykel.com](http://fisherpaykel.com)

**SPECIFICATIONS**

<b>Model No.</b>	RS9121WRUVE1, RS9121WLUVE1
<b>Product Dimensions</b>	H 2134mm W 908mm D 610mm
<b>Electrical</b>	
Supply	220-240 V, 50 Hz
Service	10 A

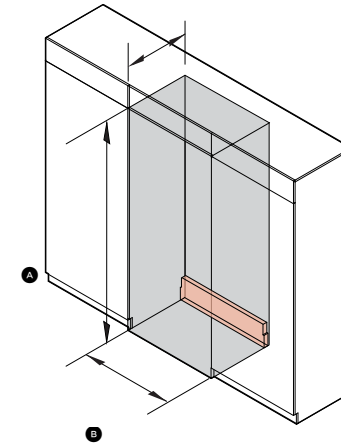
**PRODUCT DIMENSIONS**



	mm
(A) Overall height	2134
(B) Overall width	908
(C) Overall depth*	610
(D) Overall depth with the door open*	1570
(E) Overall depth with drawer open*	1004
Height from floor to bottom of bottom door panel**	15-150
Depth of toe kick (excl. front door and toe kick panels)**	50-100

\*Excluding handle and door panel  
 \*\*Applies to custom door panels

**CAVITY DIMENSIONS: STANDARD INSTALLATION**



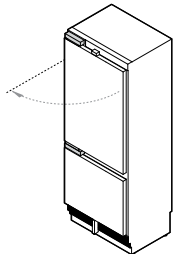
	mm
(A) Height	2134
(B) Minimum width	914
(C) Minimum overall cavity depth with service to the side*	635
<b>Service area H229mm x W914mm x D25mm</b>	

\*Assumes a door panel thickness of 19mm

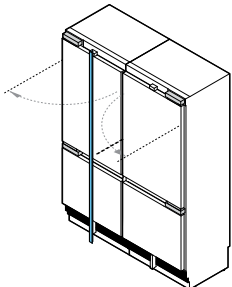
The models shown in this Planning Guide may not be available in all markets and are subject to change at any time. Product specifications may vary from those shown. This Planning Guide should not be used as installation guidance for any product. Further information is required to safely and correctly install the products featured here. Specific installation guidance will be available on our website [fisherpaykel.com](http://fisherpaykel.com)

## PLATFORM OVERVIEW

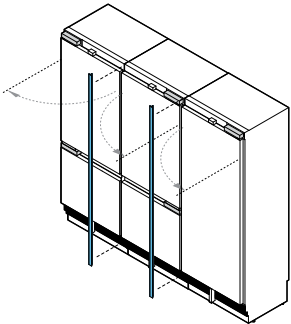
1  
MODELS



Single Installation



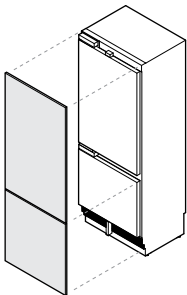
Dual Installation



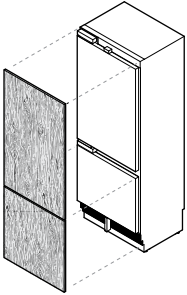
Triple Installation



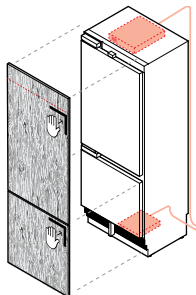
2  
DOOR STYLE



Stainless Steel Panels



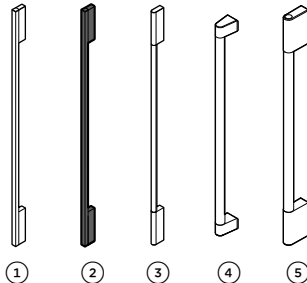
Custom Door Panels



Custom Door Panels and Assisted Opening Accessory



3  
HANDLES



Accessory Handles



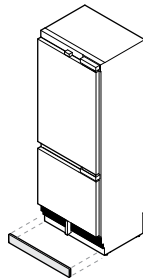
Custom Handle



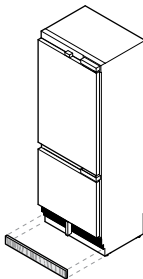
No handle



4  
TOE KICK

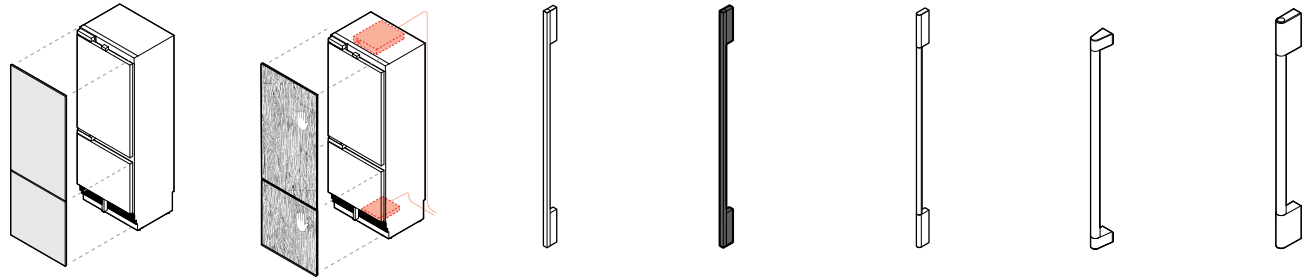


Stainless Steel Toe Kick



Custom Toe Kick

# ACCESSORIES OVERVIEW | INTEGRATED COLUMNS



## MODELS

### REFRIGERATOR/FREEZER

	STAINLESS STEEL DOOR PANEL	ASSISTED OPENING ACCESSORIES Availability Q2 2025	① HANDLE SQUARE FINE	② HANDLE SQUARE FINE	③ HANDLE ROUND	④ HANDLE PROFESSIONAL	⑤ HANDLE CLASSIC
① RS9121WRUVE1 - 91.4cm - Right Hinge	RDW9121WRD	OPINEX1RSW	AHD5RD9121W	AHD5RD9121WB	AHSRD9121W	AHP3RD9121W	AHCLRD9121W
② RS7621WRUK1 - 76.2cm - Right Hinge	RDW7621WRD	OPINEX1RSW	AHD5RD7621W	AHD5RD7621WB	AHSRD7621W	AHP3RD7621W	AHCLRD7621W
③ RS6121WRUK1 - 60.3cm - Right Hinge	RDW6121WRD	OPINEX1RSW	AHD5RD6121W	AHD5RD6121WB	AHSRD6121W	AHP3RD6121W	AHCLRD6121W
④ RS9121WLUVE1 - 91.4cm - Left Hinge	RDW9121WLD	OPINEX1RSW	AHD5RD9121W	AHD5RD9121WB	AHSRD9121W	AHP3RD9121W	AHCLRD9121W
⑤ RS7621WLUK1 - 76.2cm - Left Hinge	RDW7621WLD	OPINEX1RSW	AHD5RD7621W	AHD5RD7621WB	AHSRD7621W	AHP3RD7621W	AHCLRD7621W
⑥ RS6121WLUK1 - 60.3cm - Left Hinge	RDW6121WLD	OPINEX1RSW	AHD5RD6121W	AHD5RD6121WB	AHSRD6121W	AHP3RD6121W	AHCLRD6121W

### FREEZER

⑦ RS7621FRJK1 - 76.2cm - Right Hinge	RD7621R10D	OPEX1	AHD5RDSF	AHD5RDSFB	AHSRDSF	AHP3RDSF	AHCLRDSF
⑧ RS6121FRJK1 - 60.3cm - Right Hinge	RD6121R10D	OPEX1	AHD5RDSF	AHD5RDSFB	AHSRDSF	AHP3RDSF	AHCLRDSF
⑨ RS4621FRJK1 - 45.7cm - Right Hinge	RD4621R10D	OPEX1	AHD5RDSF	AHD5RDSFB	AHSRDSF	AHP3RDSF	AHCLRDSF
⑩ RS7621FLJK1 - 76.2cm - Left Hinge	RD7621L10D	OPEX1	AHD5RDSF	AHD5RDSFB	AHSRDSF	AHP3RDSF	AHCLRDSF
⑪ RS6121FLJK1 - 60.3cm - Left Hinge	RD6121L10D	OPEX1	AHD5RDSF	AHD5RDSFB	AHSRDSF	AHP3RDSF	AHCLRDSF
⑫ RS4621FLJK1 - 45.7 cm - Left Hinge	RD4621L10D	OPEX1	AHD5RDSF	AHD5RDSFB	AHSRDSF	AHP3RDSF	AHCLRDSF

### REFRIGERATOR

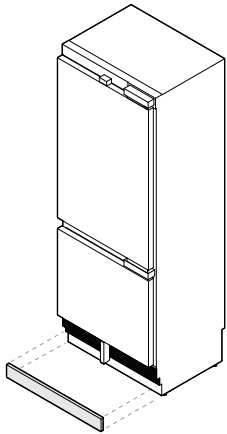
⑬ RS7621SRHK1 - 76.2cm - Right Hinge	RD7621R10D	OPEX1	AHD5RDSF	AHD5RDSFB	AHSRDSF	AHP3RDSF	AHCLRDSF
⑭ RS6121SRHK1 - 60.3cm - Right Hinge	RD6121R10D	OPEX1	AHD5RDSF	AHD5RDSFB	AHSRDSF	AHP3RDSF	AHCLRDSF
⑮ RS7621SLHK1 - 76.2cm - Left Hinge	RD7621L10D	OPEX1	AHD5RDSF	AHD5RDSFB	AHSRDSF	AHP3RDSF	AHCLRDSF
⑯ RS6121SLHK1 - 60.3cm - Left Hinge	RD6121L10D	OPEX1	AHD5RDSF	AHD5RDSFB	AHSRDSF	AHP3RDSF	AHCLRDSF

### WINE

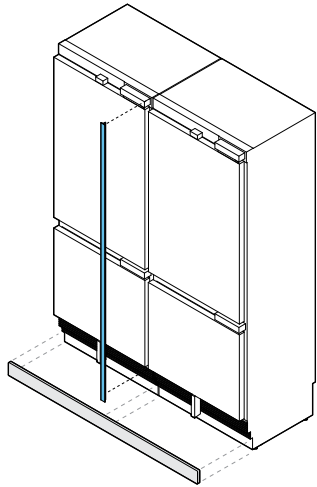
⑰ RS6121VR2K1 - 60.3cm - Right Hinge	RD6121VR4	OPEX1	AHD5RDSF	AHD5RDSFB	AHSRDSF	AHP3RDSF	AHCLRDSF
⑱ RS6121VL2K1 - 60.3cm - Left Hinge	RD6121VL4	OPEX1	AHD5RDSF	AHD5RDSFB	AHSRDSF	AHP3RDSF	AHCLRDSF

Custom door panels and toe kicks to be manufactured by joiner/cabinetmaker

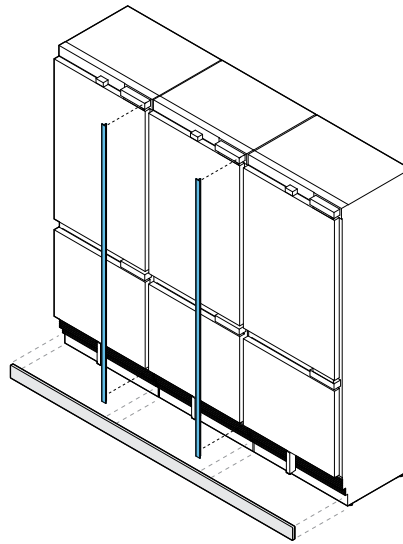




Single installation  
No Joiner Kit required



Dual installation  
1 Joiner Kit required



Triple installation  
2 Joiner Kits required

**JOINER KIT INFORMATION**

1x Joiner Kit (AJ-RS21LR) supplied with the following Freezer and Wine Models.

**FREEZER**

RS7621FRJK1, RS7621FLJK1

RS6121FRJK1, RS6121FLJK1

RS4621FRJK1, RS4621FLJK1

**WINE**

RS6121VR2K1, RS6121VL2K1

Additional Joiner Kits, AJ-RS21LR available

No Joiner Kit supplied with the following Refrigeration/Freezer and Refrigerator Models.

**REFRIGERATOR/FREEZER**

RS9121WRUVE1, RS9121WLUVE1

RS7621WRUK1, RS7621WLUK1

RS6121WRUK1, RS6121WLUK1

**REFRIGERATOR**

RS7621SRHK1, RS7621SLHK1

RS6121SRHK1, RS6121SLHK1

Additional Joiner Kits, AJ-RS21LR available

**STAINLESS STEEL TOE KICK**

**SINGLE INSTALLATION**

All 45.7cm models AKRS4621

All 60.3cm models AKRS6121

All 76.2cm models AKRS7621

All 91.4cm models AKRS9121

**DUAL INSTALLATION**

45.7cm + 60.3cm AKRS10710

45.7cm + 76.2cm AKRS12210

45.7cm + 91.4cm AKRS13710

60.3cm + 60.3cm AKRS12210

60.3cm + 76.2cm AKRS13710

60.3cm + 91.4cm AKRS15210

76.2cm + 76.2cm AKRS15210

76.2cm + 91.4cm AKRS16810

91.4cm + 91.4cm AKRS18310

**TRIPLE INSTALLATION**

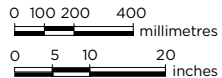
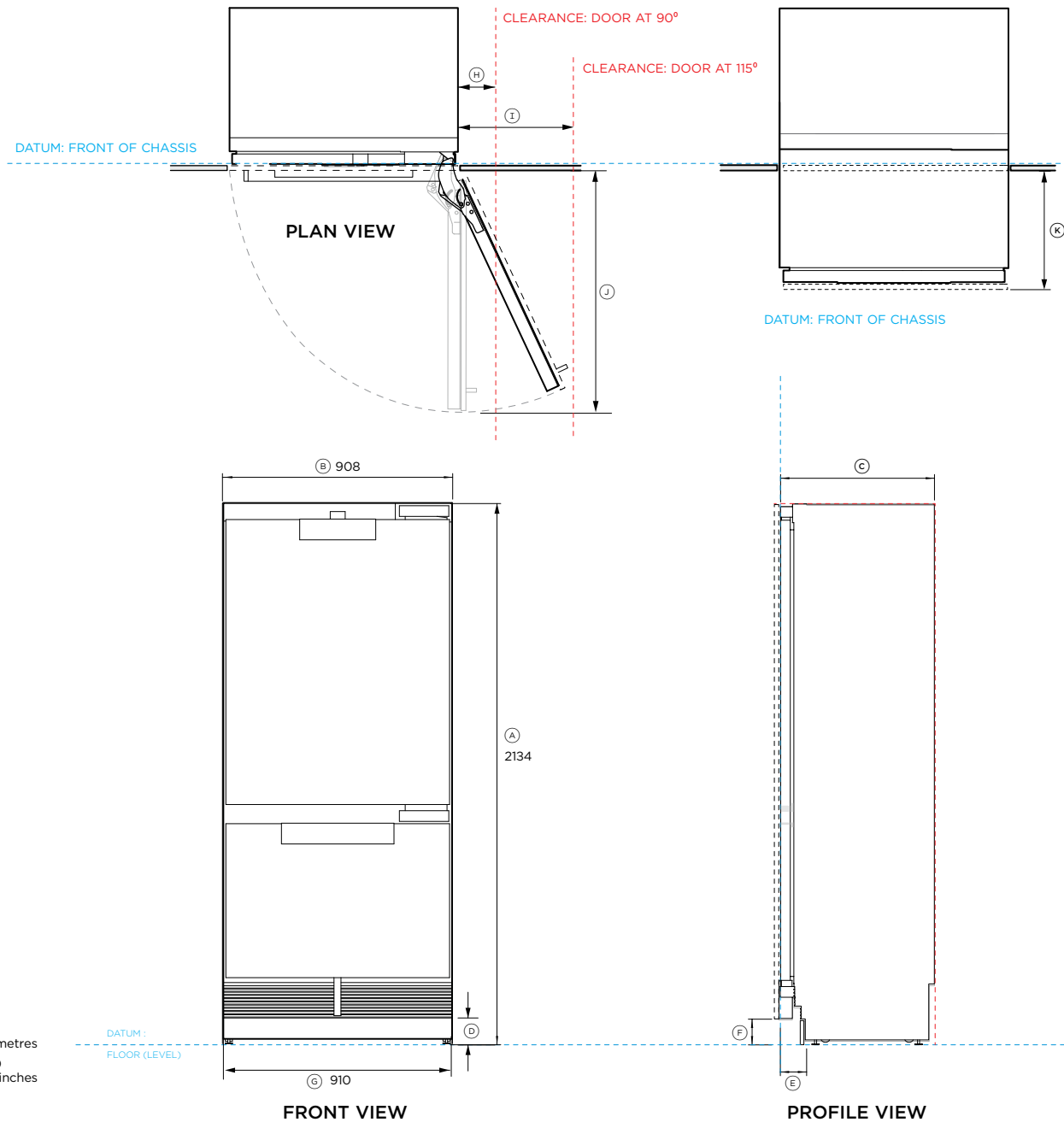
45.7cm + 60.3cm + 60.3cm AKRS16810

60.3cm + 60.3cm + 60.3cm AKRS18310

76.2cm + 60.3cm + 60.3cm AKRS19810

76.2cm + 76.2cm + 60.3cm AKRS21310

## DATA SHEET



**Model no:**  
RS9121WRUVE1, RS9121WLUVE1

Product Dimensions	in	mm
Ⓐ Overall height	84"	2134
Ⓑ Overall width	35 3/4"	908
Ⓒ Overall depth (excluding door panels)	24"	610
Ⓓ Floor to bottom of door	4"	102
Ⓔ Depth of toe-kick (excluding panels)	2 7/8 - 4"	73 - 102
Ⓕ Height of toe-kick	2 - 6"	50 - 152
Ⓖ Width of toe-kick	35 7/8"	910

Door/Drawer Opening Dimensions*		
Ⓜ Minimum door clearance** to adjacent wall* (90° - reduced internal access)*	4 5/16"	110
Ⓨ Minimum door clearance** to adjacent wall* (115° - full internal access)	17 1/8"	435
Ⓩ Depth of door (90° open) measured from front of door	38 1/16"	967
Ⓚ Depth of drawer (open) measured from front of drawer *	15 3/4"	400

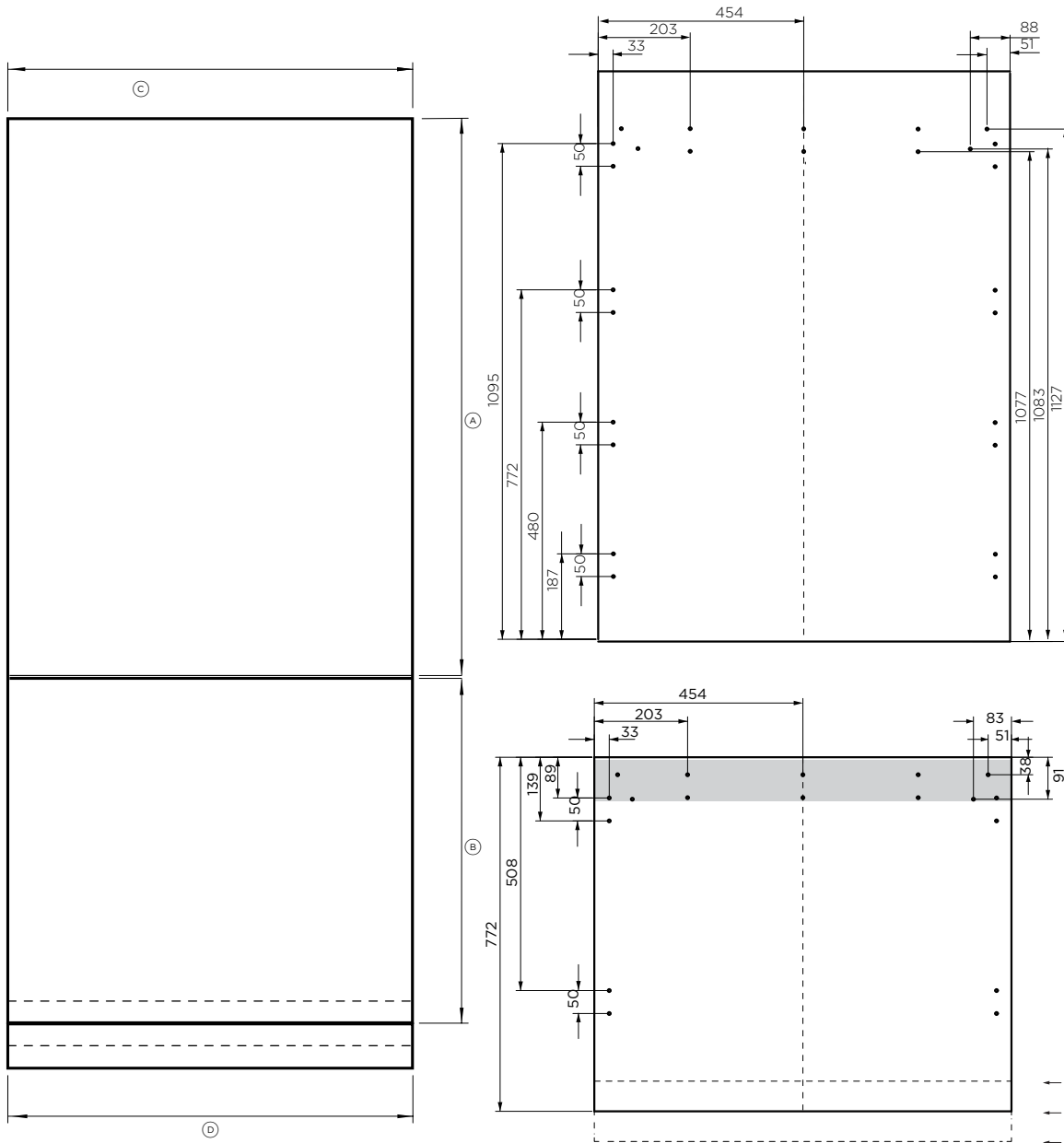
  

Clearance Dimensions*		
Minimum cabinetry gap clearance from edge of door panel	1/8"	3
Cavity overall height	84"	2134
Cavity overall width (single)	36"	914
Cavity overall width (double)	72"	1829
Minimum overall depth (shallow) of cavity when services are located outside of cavity****	25"	635
Minimum overall depth (deep) of cavity when services are located at rear of cavity****	25 5/8"	650

\* Custom panels to be manufactured & fitted by cabinetmaker  
 \*\* 3 15/16" (100mm) tall stainless steel toe-kick panel available. Adjust the height of the door panel accordingly  
 \*\*\* Door handle kit is available as an optional accessory.  
 \*\*\*\*Assumes a door panel depth of 3/4" (19mm).

INDICATES CABINETRY / PRODUCT DATUM -----  
 INDICATES CABINETRY CLEARANCES - - - - -

**IMPORTANT NOTE:** Throughout this guide, dimensions may vary by ±2mm (1/16"). Please read the Installation Guide for detailed information on installing the product. For full installation instructions visit fisherpaykel.com



Cutouts in the hanging bracket are applicable for Fisher and Paykel handles only.

If locating a custom handle in the shaded area shown above, ensure handle screw heads are countersunk into the back of the door panel to avoid interference with the hanging bracket.

10x Pilot holes recommended for bracket attachment. (Do not penetrate front surface).

Ensure handle is mounted 65mm from edge of panel to the centre – this will avoid interference with bracket.

- ← Toe kick height 152"
- ← Toe kick height 102"
- ← Toe kick height 50"

**Model no: RS9121WRUVE1, RS9121WLWUVE1**

Custom Panel Dimensions		in	mm
A	Height of door panel refrigerator	49 3/8"	1254
B	Height of drawer panel freezer	28 3/8 - 32 3/8"	721 - 822
C	Width of single panel	35 3/4"	908
	Width of dual/multiple panels	35 13/16"	910
D	Width of toe-kick	35 7/8"	911
E	Toe-kick** height	2 - 6"	50 - 152**
	Panel thickness	min 3/4"	min 19mm

**Clearance Dimensions\***

Minimum cabinetry gap clearance from edge of door panel	1/4"	3
---	------	---

\*Custom door panels, toe kick and handles to be manufactured / fitted by a cabinetmaker.\*\*

Dimensions apply for the preparation and installation of Custom door panels.

For Dwg and Dxf files of the below panel preparation, download the folder from <http://thekitchentools.fisherpaykel.com>.

The thickness of the custom door panel can vary provided that the screws do not penetrate beyond the full depth of the door panel.

INDICATES CABINETRY / PRODUCT DATUM -----  
 INDICATES CABINETRY CLEARANCES -----

IMPORTANT NOTE: Throughout this guide, dimensions may vary by ±2mm (1/16"). Please read the Installation Guide for detailed information on installing the product. For full installation instructions visit [fisherpaykel.com](http://fisherpaykel.com)

