

60cm Series 5 Pyramid Chimney Wall Rangehood

Series 5 | Contemporary

Stainless Steel

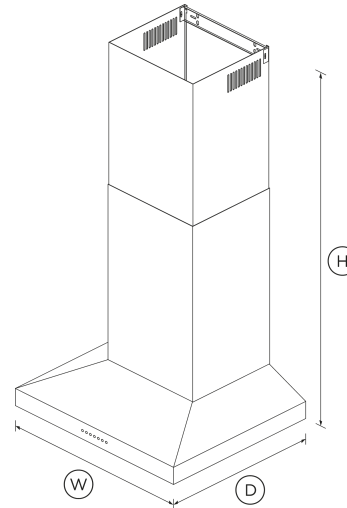


The wall chimney rangehood has contemporary styling, extracting steam, grease and cooking odours quietly and efficiently.

- With three fan speeds, select the perfect extraction rate for your cooking
- Powerful maximum air movement of 780m³/hr
- Dishwasher safe filters that are easy to remove and clean

DIMENSIONS

| | |
|--------|-------------|
| Height | 610-1050 mm |
| Width | 598 mm |
| Depth | 500 mm |



FEATURES & BENEFITS

Easy Installation

This wall chimney rangehood is the perfect partner to your Fisher & Paykel cooktop. It can be either externally ducted or internally recirculated, making it perfect for apartments.

Simple To Use

Three fan speeds provide powerful extraction to ensure steam and odours are quickly removed. Simply change the fan speed with the touch of a button.

Easy Cleaning

Three filters effectively trap grease particles during extraction. They are easy to remove and dishwasher safe, or can be cleaned by hand in hot soapy water.

Complementary Design

This wall chimney rangehood's sleek stainless steel finish which will complement any contemporary kitchen and is designed to match the rest of Fisher & Paykel's kitchen appliance family.

SPECIFICATIONS

Accessories (included)

| | |
|------------------|--------|
| Aluminium filter | 792527 |
|------------------|--------|

Accessories (sold separately)

| | |
|-----------------------------|-------------------------------------|
| Chimney extension | 792492 (Cover duct extension 850mm) |
| Eave ducting kit | PD-RHK15OE |
| Light bulb | 792461 |
| Recirculation carbon filter | 792481 |
| Recirculation diverter | 791820 |
| Roof ducting kit | PD-RHK15OR |
| Side wall ducting kit | PD-RHK15OW |

Fan ratings

| | |
|----------------------|------------------------|
| Maximum air movement | 780 m ³ /hr |
| Maximum sound rating | 65 dBA |

Installation and cleaning

| | |
|----------------------------------|---------------------------|
| Air outlet size | 120-150 mm |
| Dishwasher safe filters | 2 |
| Ducted | Top extraction |
| Recirculation | Optional - top extraction |
| Two piece height adjustable flue | • |

SKU 50006

The product dimensions and specifications in this page apply to the specific product and model. Under our policy of continuous improvement, these dimensions and specifications may change at any time. You should therefore check with Fisher & Paykel's Customer Care Centre to ensure this page correctly describes the model currently available. © Fisher & Paykel Appliances Ltd 2020

Performance

| | |
|-------------------|---------|
| Extraction type | Surface |
| Fan speeds | 3 |
| Filter type | Mesh |
| Number of filters | 2 |

Other product downloads available at fisherpaykel.com

- [↓ Service & Warranty](#)
- [↓ User/Installation Guide - Chimney Pyramid Rangehood](#)

Power requirements

| | |
|------------------|-----------|
| Supply frequency | 50 Hz |
| Supply voltage | 220-240 V |

Where applicable:

All appliances use energy, and energy usage typically generates carbon emissions. **Fisher & Paykel Appliances' In-use Energy Carbon Emissions Estimate** indicates carbon emissions from a product's in-use energy. This is calculated either annually or per cycle, using the product's market-specific energy label energy consumption data multiplied by the carbon emissions factor for energy in your country or region.

Product dimensions

| | |
|--------|-------------|
| Depth | 500 mm |
| Height | 610-1050 mm |
| Width | 598 mm |

Our In-use Energy Carbon Emissions Estimate is designed to assist customers in making informed purchasing decisions when comparing different Fisher & Paykel products. For example, a heat pump dryer typically has a lower In-use Energy Carbon Emissions Estimate than a vented dryer.

Product information

| | |
|--------------|-------------|
| Control type | Push Button |
|--------------|-------------|



A PEACE OF MIND SALE
 24 Hours 7 Days a Week Customer Support
 T 1300 650 590 W www.fisherpaykel.com

Ventilation features

| | |
|------------|-----|
| Light type | LED |
|------------|-----|