

# 30" Series 7 Professional 4 Burner Gas Range, LPG

Series 7 | Professional

Stainless Steel | LPG

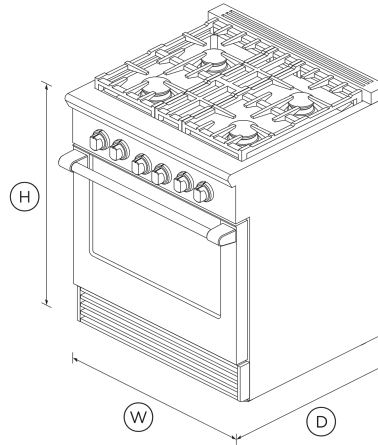


Professional style and performance, with powerful burners delivering high heat or the most gentle simmer.

- Top burner heat of 19,000 BTU, for seriously fast boiling
- Convection oven with 4.6 cu ft total capacity
- Non-tip full-extension shelves for safe removal of hot dishes

## DIMENSIONS

Height	35 3/4 - 36 3/4 "
Width	29 7/8 "
Depth	29 1/8 "



## FEATURES & BENEFITS

### Cooktop Power

Sealed Dual Flow Burners™ deliver cooktop power up to 22,500 BTU (NG models) for seriously fast boiling right down to a precise 140°F full surface simmer with the gentlest of flames.

### Total Control

Precise control across high and low settings is delivered through the halo-illuminated cooktop dials. The ovens have true convection and electronic oven control for precise and consistent temperatures.

### Easy To Clean

A sealed cooktop surface coupled with a commercial-style stainless steel finish means your cooktop simply needs a quick wipe to keep it looking good as new.

### Instant Visibility

Control dials have halo-illumination glowing white – heating up; orange – temperature reached; red – self-cleaning mode. The oven is illuminated by two powerful incandescent lights.

### Cooking Flexibility

The cooktop is designed for easy access to any burner with grates you can smoothly slide pots across. The oven is large enough to hold full size baking sheets.

### Design Quality

This range has been carefully crafted in every detail from performance to durability using quality materials.

## SPECIFICATIONS

### Accessories (sold separately)

Square handle option	AH-R30
Wok grate included	Yes

### Burner ratings

Maximum burner power	19000 BTU
Power back left	13000BTU
Power back right	13000BTU
Power front left	19000BTU
Power front right	15000BTU
Total cooktop power	60000 BTU

### Capacity

Shelf positions	5
Shelf positions (main oven)	5

Bake power	28000
------------	-------

- ADA compliant
- Full extension telescopic sliding shelves

**Controls**

Electric circuit	3 wire
Metal illuminated dials	•

**Power Requirements**

Amperage	15 A
Rated current	15 A
Supply frequency	60 Hz

SKU 71357

**Gas Requirements**

Fitting and pipe	½ NPT, min. ⅝" flex line
Supply Pressure (LPG)	11" to 14" W.C

**Product Dimensions**

Depth	29 1/8 "
Depth (excluding handles)	29 1/8 "
Height	35 3/4 - 36 3/4 "
Width	29 7/8 "

The product dimensions and specifications in this page apply to the specific product and model. Under our policy of continuous improvement, these dimensions and specifications may change at any time. You should therefore check with Fisher & Paykel's Customer Care Centre to ensure this page correctly describes the model currently available. © Fisher & Paykel Appliances Ltd 2020

**Oven features**

- Auto re-ignition system
- Broil pan
- Electronic oven control
- Full extension telescopic sliding shelves
- Infrared Broiler
- Internal light true

**Rangetop features**

- Sealed range top
- Vent trim included

**Other product downloads available at fisherpaykel.com**

- ↓ 2D-DWG Gas Range
- ↓ 2D-DXF Gas Range
- ↓ Archicad Gas Range
- ↓ Data Sheet Gas Range
- ↓ Service & Warranty
- ↓ Installation Guide EN / Guide d'installation FR
- ↓ Planning Guide Gas Range
- ↓ Revit Gas Range
- ↓ Rhino 5
- ↓ Sketchup Gas Range
- ↓ User Guide EN

**Oven functions**

- Bake
- Broil
- Convection bake
- Number of functions 3

**Recommended Back Guards Ventilation**

Combustible situation	BGRV2-3030H
Minimum CFM	600
Non combustibile situation	BGRV2-3030 / BGRV2-1230
Recommended hood	HCB30-6_N (Professional Range Hood)

Where applicable:

**Safety**

**Oven performance**

All appliances use energy, and energy usage typically generates carbon emissions. **Fisher & Paykel Appliances' In-use Energy Carbon Emissions Estimate** indicates carbon emissions from a product's in-use energy. This is calculated either annually or per cycle, using the product's market-specific energy label energy consumption data multiplied by the carbon emissions factor for energy in your country or region.

Our In-use Energy Carbon Emissions Estimate is designed to assist customers in making informed purchasing decisions when comparing different Fisher & Paykel products. For example, a heat pump dryer typically has a lower In-use Energy Carbon Emissions Estimate than a vented dryer.



**A PEACE OF MIND SALE**  
24 Hours 7 Days a Week Customer Support  
T 1.888.936.7872 W [www.fisherpaykel.com](http://www.fisherpaykel.com)