

Oven, 60cm, 16 Function Self-cleaning

Series 7 | Contemporary

Stainless Steel



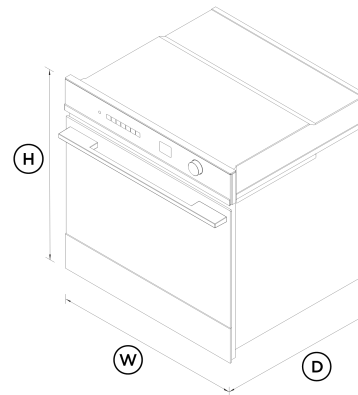
With beautiful Contemporary styling and a generous 85L total capacity, this built-in oven helps to ensure that every dish you create is cooked to perfection.

- 16 oven functions including Pastry Bake, Roast, Dehydrate and Rapid Proof
- Moisture level control with ActiveVent technology
- Pyrolytic self-cleaning function breaks down food residue for an easy clean

- Guided cooking capability offers helpful tips for different food types

DIMENSIONS

Height	598 mm
Width	596 mm
Depth	565 mm



FEATURES & BENEFITS

Multi-Function Flexibility

Each function has been perfected to ensure that no matter what you're cooking, you've got the right heat to match. This built-in oven has 16 functions including Pastry Bake, Roast, Fan Grill, Dehydrate and Rapid Proof, allowing you to use a variety of cooking styles.

Generous Capacity

With a generous 85L total capacity, you can create several perfectly cooked dishes at once using multiple shelves.

Cook With Confidence

The intuitive 2.4" screen provides an intuitive guided cooking experience that helps to deliver perfect results, whether you've been cooking all your life or are just starting out. Cook by food type and allow your oven to guide you through steps, or change temperature and heat type automatically, depending on your selection.

Exceptional performance

Our unique cooking technologies were developed to deliver perfect results. ActiveVent ensures optimised moisture levels, while AeroTech™ circulates heat evenly for a consistent temperature.

Self-Cleaning

Pyrolytic self-clean breaks down food residue at a very high temperature, leaving a light ash that's easily removed with a damp cloth. The enamel coated side racks don't need to be removed when using this function.

Design Freedom

Designed to fit seamlessly into your kitchen, this built-in oven features premium materials and detailing to support a cohesive, considered kitchen design.

Safe And Sound

The CoolTouch door features triple glazing and a cooling system that ensures it's safe to touch from the outside - protecting both your hands and the surrounding cabinetry.

SPECIFICATIONS

Accessories (included)

Full extension sliding shelves

1 set

Grill rack	1 set	Audio feedback	•	Fan grill	•
Pyrolytic proof shelf runners	•	Automatic cooking/minute timer	•	Grill	•
Roasting dish	1	Automatic pre-set temperatures	•	Number of functions	16
Smokeless grill tray	1	Celsius/Fahrenheit temperature	•	Pastry Bake	•
Step down wire shelf	1	Delay start	•	Pizza bake	•
Wired temperature sensor	1	Electronic clock	•	Pyrolytic self-clean	•
		Electronic oven control	•	Rapid proof	•
		Food probe	•	Roast	•
		Guided cooking by food types	•	Slow cook	•
		Halogen lights	•	Vent bake	•
		Intuitive touchscreen display	•	Warm	•
		Multi-language display	•		
			UK English, US English, Simplified Chinese, Français, Español		
Capacity				Performance	
Shelf positions	6			ActiveVent™ system	•
Total capacity	85 L			AeroTech™ technology	•
Usable capacity	72 L			Automatic rapid pre-heat	•
				Grill power	3000 W
				Temperature range	35°C - 280°C
				Whisper Quiet Cooking	•
Cleaning					
Acid resistant graphite enamel	•	Sabbath mode with Federation of Synagogues certification	•		
Pyrolytic proof shelf runners	•	Smart appliance	•		
Pyrolytic self-clean	•	Soft close doors	•		
Removable oven door	•	True convection oven	•		
Removable oven door inner glass	•	Turned stainless steel dials with illuminated halos	•		
Removable shelf runners	•	Wi-Fi connectivity	•		
		Wireless temperature sensor compatible	•		
				Power requirements	
Consumption				Amperage	15 A
Energy rating	A	Functions		Rated current	15 A
Energy usage	0.94kWh/cycle	Air fry	•	Supply frequency	50 Hz
In-use energy carbon emissions estimate	0.2kgCO2e/cycle	Bake	•	Supply voltage	220-240 V
		Classic bake	•		
		Dehydrate	•	Product dimensions	
		Fan bake	•	Depth	565 mm
		Fan forced	•		

Height	598 mm
Width	596 mm

- [↓ Declaration of Conformity Oven](#)
- [↓ Energy Label Oven](#)
- [↓ Service & Warranty](#)
- [↓ Installation Guide Wall Oven](#)
- [↓ Product Information Sheet Oven](#)
- [↓ Revit Oven](#)
- [↓ Rhino Oven](#)
- [↓ SketchUp Oven](#)
- [↓ Preliminary Specification Guide Wall Oven](#)
- [↓ User Guide Convection Oven](#)

Safety

- Balanced oven door •
- Catalytic venting system •
- Control panel key lock •
- CoolTouch door •
- Non-tip shelves •
- Safety thermostat •

Where applicable:

All appliances use energy, and energy usage typically generates carbon emissions. **Fisher & Paykel Appliances' In-use Energy Carbon Emissions Estimate** indicates carbon emissions from a product's in-use energy. This is calculated either annually or per cycle, using the product's market-specific energy label energy consumption data multiplied by the carbon emissions factor for energy in your country or region.

Our In-use Energy Carbon Emissions Estimate is designed to assist customers in making informed purchasing decisions when comparing different Fisher & Paykel products. For example, a heat pump dryer typically has a lower In-use Energy Carbon Emissions Estimate than a vented dryer.

Warranty

Parts and labour	5 years
------------------	----------------

SKU	82556
-----	-------



A PEACE OF MIND SALE
24 Hours 7 Days a Week Customer Support

T 08000 886 605 W www.fisherpaykel.com

The product dimensions and specifications in this page apply to the specific product and model. Under our policy of continuous improvement, these dimensions and specifications may change at any time. You should therefore check with Fisher & Paykel's Customer Care Centre to ensure this page correctly describes the model currently available. © Fisher & Paykel Appliances Ltd 2020

Other product downloads available at fisherpaykel.com

- [↓ 2D-DWG Oven](#)
- [↓ 2D-DXF Oven](#)
- [↓ ArchiCAD Oven](#)
- [↓ Datasheet Oven](#)