

HANDLELESS OVENS AND COMPANIONS, 60CM

PLANNING GUIDE

OVEN | OB60SMPTNB1, OB60SMPNG1

STEAM OVEN | OS60SMTNB1, OS60SMTNG1, OS60NMTNB1, OS60NMTNG1

COMBINATION MICROWAVE OVEN | OM60NMTNG1, OM60NMTNB1

BUILT-IN COFFEE MAKER | EB60MSB1, EB60MSG1

WARMING DRAWER | WB60SMB1-SET, WB60SMG1-SET, WB60SMTB1-SET

VACUUM SEAL DRAWER | VB60SMB1-SET, VB60SMG1-SET

FISHER & PAYKEL

This comprehensive Planning Guide provides you with the framework and tools to achieve your desired design outcome with Fisher & Paykel appliances. In this guide, you will find a range of conceptual, detailed and dimensional product information to bring your ideas to life and create spaces that truly reflect your vision.

CONTENTS

CONCEPT DESIGN		DEVELOPED AND DETAILED DESIGN			
	PAGE		PAGE	PAGE	
Design Choices		Data Sheets		Planning Considerations	
Ovens and Companions - ALL MODELS	4	Oven	19	Cabinetry Preparation - ALL MODELS	28
Configurations - ALL MODELS	5	Combination Steam Oven	20	Configurations - ALL MODELS	29
Overview - ALL MODELS	6	Combination Steam Oven	21	Oven	30
		Combination Microwave Oven	22	Combination Steam Oven	31
Specification Guides		Built-in Coffee Maker	23	Combination Steam Oven	32
Oven	8	Warming Drawer, Tall	24	Combination Microwave Oven	33
Combination Steam Oven	9	Warming Drawer	25	Built-in Coffee Maker	34
Combination Steam Oven	10	Vacuum Seal Drawer	26	Warming Drawer, Tall	35
Combination Microwave Oven	11			Warming Drawer	36
Built-in Coffee Maker	12			Vacuum Seal Drawer	37
Warming Drawer, Tall	13				
Warming Drawer	14			Services	
Vacuum Seal Drawer	15			Power Cord Length and Location - COMPANIONS	39
Dimensions - ALL MODELS	16			Power Cord Length and Location - OVENS	40
Power, Weight and Capacity - ALL MODELS	17				

The models shown in this Planning Guide may not be available in all markets and are subject to change at any time. Product specifications may vary from those shown. This Planning Guide should not be used as installation guidance for any product. Further information is required to safely and correctly install the products featured here. Specific installation guidance will be available on our website fisherpaykel.com

DESIGN CHOICES

OVENS

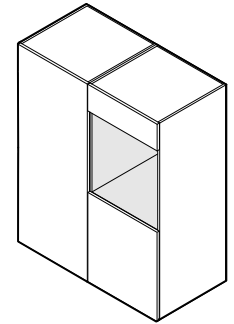
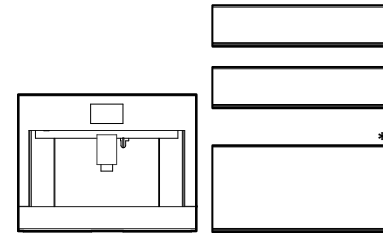
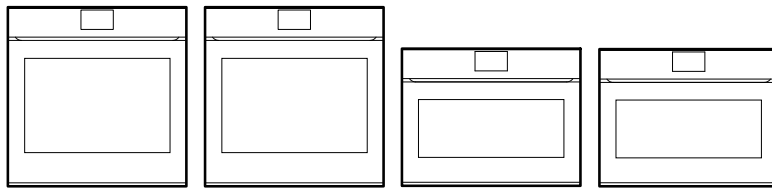
STEAM

MICROWAVES

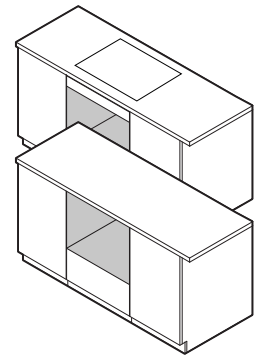
COFFEE MAKER

DRAWERS

INSTALLATION OPTIONS



Installation in wall



Installation under-bench

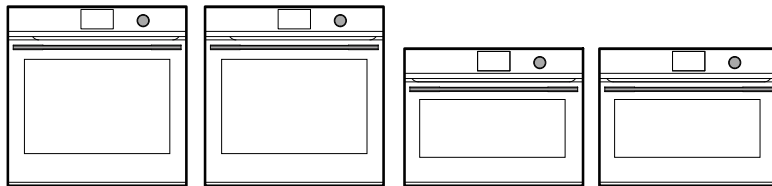
COLOUR



Grey Glass Black Glass

HANDLELESS FAMILY

DIAL AND HANDLE FAMILY

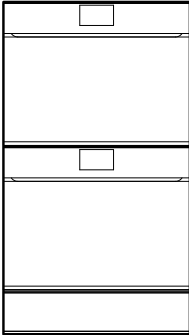


*Note: Warming Drawer Tall only available in Black Glass finish

The models shown in this Planning Guide may not be available in all markets and are subject to change at any time. Product specifications may vary from those shown. This Planning Guide should not be used as installation guidance for any product. Further information is required to safely and correctly install the products featured here. Specific installation guidance will be available on our website fisherpaykel.com

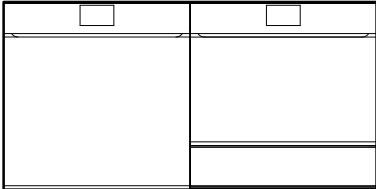
STACKED INSTALLATION

Stack Height
1060mm



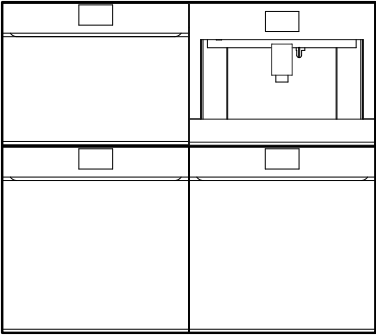
ROW INSTALLATION

Stack Height
600mm



GRID INSTALLATION

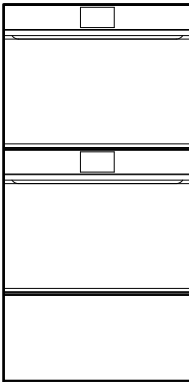
Stack Height
1060mm



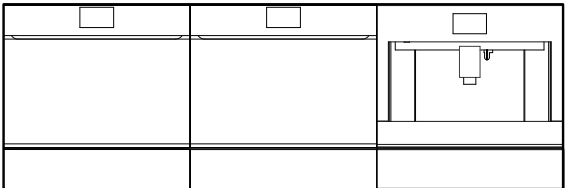
CONSIDERATIONS

Different configurations possible, considerations are height, colour, dial and handle or handleless.

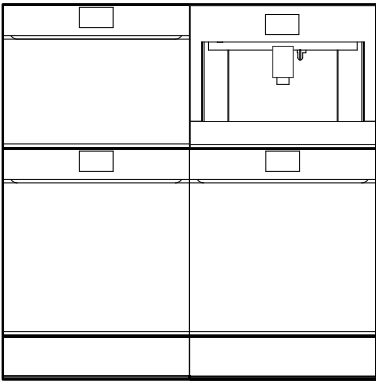
Stack Height
1210mm



Stack Height
600mm



Stack Height
1200mm



Note: Stack Height is overall product height with minimum clearances above appliance front panel to upper cabinetry front panel or appliance.

The models shown in this Planning Guide may not be available in all markets and are subject to change at any time. Product specifications may vary from those shown. This Planning Guide should not be used as installation guidance for any product. Further information is required to safely and correctly install the products featured here. Specific installation guidance will be available on our website fisherpaykel.com

FRONT ELEVATION								
	VACUUM SEAL DRAWER	WARMING DRAWER	WARMING DRAWER TALL	BUILT-IN COFFEE MAKER	COMBINATION MICROWAVE OVEN	COMBINATION STEAM OVEN	COMBINATION STEAM OVEN	OVEN
Series	Series 9	Series 9	Series 9	Series 9	Series 9	Series 9	Series 11	Series 9
Model Codes Black Glass	VB60SMB1-SET	WB60SMB1-SET	WB60SMTB1-SET	EB60MSB1	OM60NMTNB1	OS60NMTNB1	OS60SMTNB1	OB60SMPTNB1
Model Codes Grey Glass	VB60SMG1-SET	WB60SMG1-SET	-	EB60MSG1	OM60NMTNG1	OS60NMTNG1	OS60SMTNG1	OB60SMPTNG1
Interface	-	-	-	4.3" Touchscreen	5" Touchscreen	5" Touchscreen	5" Touchscreen	5" Touchscreen
Overall Product Heights	140mm	140mm	290mm	458mm	458mm	458mm	598mm	598mm
Front Panel Thickness	20mm	20mm	20mm	20mm	20mm	20mm	20mm	20mm

The models shown in this Planning Guide may not be available in all markets and are subject to change at any time. Product specifications may vary from those shown. This Planning Guide should not be used as installation guidance for any product. Further information is required to safely and correctly install the products featured here. Specific installation guidance will be available on our website fisherpaykel.com

SPECIFICATION GUIDE



OB60SMPTNB1



OB60SMPTNG1

OVERVIEW

Designed to complement our Minimal style appliances, this handleless oven offers a sleek, uninterrupted aesthetic that moves beyond traditional oven doors. Perfect for true handleless kitchen designs, it provides a streamlined look and ensures a continuous flow across kitchen surfaces. With a generous 85L capacity, 16 functions, and self-cleaning, its guided touchscreen ensures perfect results with ease.

PRODUCTS

OB60SMPTNB1 - Black Glass
Oven, 60cm, 16 Function, Self-cleaning

OB60SMPTNG1 - Grey Glass
Oven, 60cm, 16 Function, Self-cleaning

SERIES & STYLE

Series 9
Minimal

ACCESSORIES

- ① Full Extension Sliding Shelf
- ② Grill Rack
- ③ Smokeless Grill Tray
- ④ Roasting Dish
- ⑤ Step Down Wire Shelf

FEATURES

- ① Handleless oven design ensures smooth, uninterrupted lines in kitchen cabinetry for a cohesive look
- ② Designed to complement our Minimal style kitchen appliances
- ③ Effortlessly open and close the oven with a gentle press of a button, ensuring convenience and smooth operation in the kitchen
- ④ Available in both elegant black glass and subtle grey glass finishes
- ⑤ Designed to match companion products such as Warming Drawers
- ⑥ Guided touchscreen cooking offers helpful tips for different food types
- ⑦ Generous 85L total capacity
- ⑧ 16 oven functions including Pastry Bake, Roast, and Air Fry
- ⑨ Self-cleaning pyrolytic function breaks down food residue for an easy clean
- ⑩ Even heat circulation with AeroTech™, ideal for multi-shelf cooking
- ⑪ Includes a Wired Temperature Sensor for real-time monitoring of cooking temperatures
- ⑫ Voice-activated oven door provides hands-free control, compatible with Google's voice assistant via the SmartHQ™ app monitoring of cooking temperatures*

*Not available in all markets

ACCESSORIES

- ⑤ Wired Temperature Sensor
- ⑥ Flat Brushed Baking Tray
- ⑦ Pyrolytic Proof Shelf Runners

The models shown in this Planning Guide may not be available in all markets and are subject to change at any time. Product specifications may vary from those shown. This Planning Guide should not be used as installation guidance for any product. Further information is required to safely and correctly install the products featured here. Specific installation guidance will be available on our website fisherpaykel.com



OS60SMT NB1



OS60SMTNG1

OVERVIEW

The cornerstone of our collection, our handleless Combination Steam Oven offers a sleek, uninterrupted aesthetic that moves beyond traditional oven doors. Perfect for true handleless kitchen designs, it provides a streamlined look and ensures a continuous flow across kitchen surfaces. With 23 functions and a sophisticated balance of full steam and steam assist options at various temperatures, this oven ensures perfect results.

PRODUCTS

OS60SMTNB1 - Black Glass
Combination Steam Oven, 60cm, 23 Function

OS60SMTNG1 - Grey Glass
Combination Steam Oven, 60cm, 23 Function

SERIES & STYLE

Series 11
Minimal

ACCESSORIES

- ① Chromed Shelf Runners
- ② 2x Descale Solutions
- ③ Flat Brushed Baking Tray
- ④ 2x Full Extension Sliding Shelves
- ⑤ Grill Rack
- ⑥ Large Steam Dish
- ⑦ Step Down Wire Shelf
- ⑧ Large Perforated Steam Dish

FEATURES

- ① Handleless oven design ensures smooth, uninterrupted lines in kitchen cabinetry for a cohesive look
- ② Designed to complement our Minimal style kitchen appliances
- ③ Effortlessly open and close the oven with a gentle press of a button, ensuring convenience and smooth operation in the kitchen
- ④ Available in both elegant black glass and subtle grey glass finishes
- ⑤ Perfectly pairs with companion products such as Vacuum Seal Drawers
- ⑥ Guided touchscreen cooking offers helpful tips for different food types
- ⑦ True temperature precision with three levels of steam with convection
- ⑧ 23 oven functions including Steam, Sous Vide, Air Fry and Crisp Regenerate
- ⑨ Help reduce food waste by rejuvenating leftovers with steam for fresh-tasting roasts, and risottos and more
- ⑩ Even heat circulation with AeroTech™, ideal for multi-shelf cooking
- ⑪ Includes a Wired Temperature Sensor for real-time monitoring of cooking temperatures
- ⑫ Voice-activated oven door provides hands-free control, compatible with Google's voice assistant via the SmartHQ™ app monitoring of cooking temperatures*

*Not available in all markets

ACCESORIES

- ⑨ Small Perforated Steam Dish
- ⑩ Roasting Dish
- ⑪ Smokeless Grill Tray
- ⑫ Wired Temperature Sensor

The models shown in this Planning Guide may not be available in all markets and are subject to change at any time. Product specifications may vary from those shown. This Planning Guide should not be used as installation guidance for any product. Further information is required to safely and correctly install the products featured here. Specific installation guidance will be available on our website fisherpaykel.com



OS60NMTNB1



OS60NMTNG1, paired with Warming Drawer WB60SMG1-SET

OVERVIEW

The cornerstone of our collection, our handleless Combination Steam Oven offers a sleek, uninterrupted aesthetic that moves beyond traditional oven doors. Perfect for true handleless kitchen designs, it provides a streamlined look and ensures a continuous flow across kitchen surfaces. With 23 functions and a sophisticated balance of full steam and steam assist options at various temperatures, this oven ensures perfect results.

PRODUCTS

OS60NMTNB1 - Black Glass
Combination Steam Oven, 60cm, 23 Function

OS60NMTNG1 - Grey Glass
Combination Steam Oven, 60cm, 23 Function

SERIES & STYLE

Series 9
Minimal

ACCESSORIES

- ① Chromed Shelf Runners
- ② 2x Descale Solutions
- ③ Flat Brushed Baking Tray
- ④ Grill Rack
- ⑤ Large Steam Dish
- ⑥ Wire Shelf
- ⑦ Large Perforated Steam Dish
- ⑧ Small Perforated Steam Dish

FEATURES

- ① Handleless oven design ensures smooth, uninterrupted lines in kitchen cabinetry for a cohesive look
- ② Designed to complement our Minimal style kitchen appliances
- ③ Effortlessly open and close the oven with a gentle press of a button, ensuring convenience and smooth operation in the kitchen
- ④ Available in both elegant black glass and subtle grey glass finishes
- ⑤ Perfectly pairs with companion products such as Vacuum Seal Drawers
- ⑥ Guided touchscreen cooking offers helpful tips for different food types
- ⑦ True temperature precision with three levels of steam with convection
- ⑧ 23 oven functions including Steam, Sous Vide, Air Fry and Crisp Regenerate
- ⑨ Help reduce food waste by rejuvenating leftovers with steam for fresh-tasting roasts, and risottos and more
- ⑩ Even heat circulation with AeroTech™, ideal for multi-shelf cooking
- ⑪ Includes a Wired Temperature Sensor for real-time monitoring of cooking temperatures
- ⑫ Voice-activated oven door provides hands-free control, compatible with Google's voice assistant via the SmartHQ™ app monitoring of cooking temperatures*

*Not available in all markets

ACCESSORIES

- ⑨ Roasting Dish
- ⑩ Wired Temperature Sensor

The models shown in this Planning Guide may not be available in all markets and are subject to change at any time. Product specifications may vary from those shown. This Planning Guide should not be used as installation guidance for any product. Further information is required to safely and correctly install the products featured here. Specific installation guidance will be available on our website fisherpaykel.com



OM60NMTNB1



OM60NMTNG1

OVERVIEW

Experience the speed of microwave cooking with the versatility of a convection oven in a compact companion model. Designed to complement our Minimal style appliances, this handleless microwave oven features a sleek, seamless look that moves away from traditional oven door designs. Its compact size and 49L capacity provide convenient placement and ample space for a variety of dishes, ensuring perfect results.

PRODUCTS

OM60NMTNB1 - Black Glass
Combination Microwave Oven, 60cm, 22 Function

OM60NMTNG1 - Grey Glass
Combination Microwave Oven, 60cm, 22 Function

SERIES & STYLE

Series 9
Minimal

ACCESSORIES

- ① Chromed Shelf Runners
- ② Glass Tray
- ③ Step Down Wire Shelf
- ④ Wire Shelf
- ⑤ Wired Temperature Sensor
- ⑥ Grill Rack

FEATURES

- ① Handleless oven design ensures smooth, uninterrupted lines in kitchen cabinetry for a cohesive look
- ② Compact 60cm width means this microwave oven can be placed almost anywhere
- ③ Effortlessly open and close the oven with a gentle press of a button, ensuring convenience and smooth operation in the kitchen
- ④ Designed to complement our Minimal style kitchen appliances
- ⑤ Available in both elegant black glass and subtle grey glass finishes
- ⑥ Guided touchscreen cooking offers helpful tips for different food types
- ⑦ 22 functions, including four microwave-only, 14 traditional oven, and four combination settings
- ⑧ Combi microwave versatility for quick, even heating across a variety of dishes, ensuring perfect interior cooking with crisp exteriors
- ⑨ Generous 49L capacity, with four shelf positions
- ⑩ CoolTouch door is safe to touch from the outside, protecting hands and surrounding cabinetry
- ⑪ Includes a Wired Temperature Sensor for real-time monitoring of cooking temperatures
- ⑫ Voice-activated oven door provides hands-free control, compatible with Google's voice assistant via the SmartHQ™ app monitoring of cooking temperatures*

*Not available in all markets

The models shown in this Planning Guide may not be available in all markets and are subject to change at any time. Product specifications may vary from those shown. This Planning Guide should not be used as installation guidance for any product. Further information is required to safely and correctly install the products featured here. Specific installation guidance will be available on our website fisherpaykel.com



Built-in Coffee Maker EB60MSB1, paired with Warming Drawer WB60SMB1-SET



Built-in Coffee Maker EB60MSG1, paired with Warming Drawer WB60SMG1-SET

OVERVIEW

The Built-in Coffee Maker features a stylish finish and can be installed in multiple configurations to suit kitchen design and preference. With 13 beverage options, our Coffee Maker is designed to consistently pour delicious coffee – from Flat White to Latte or Americano. Favourite coffee styles are memorised for a fast brew with the push of a button. A programmable timer turns the Coffee Maker on at the ideal time each day, while the conical burr grinder delivers a consistent grind for a perfect coffee.

PRODUCTS

EB60MSB1 - Black Glass
Built-in Coffee Maker, 60cm

EB60MSG1 - Grey Glass
Built-in Coffee Maker, 60cm

ACCESSORIES

- ① Thermal milk jug (0.5L)
- ② Water filter
- ③ Coffee spoon
- ④ Extractable steam outlet
- ⑤ Descaling agent bottle

FEATURES

- ① Designed to pair perfectly with 60cm ovens and companion products
- ② Stylish stainless steel finish
- ③ Install in multiple configurations to suit your kitchen design
- ④ Intuitive touch display
- ⑤ 13 functions to suit any taste and selection – from Espresso to Latte
- ⑥ Programmable timer turns on the Coffee Maker at the ideal time each day
- ⑦ Favourite coffee types are memorised and stored in custom profiles
- ⑧ Stainless steel conical burr grinder with 13 coarseness positions
- ⑨ 15 bar pump pressure
- ⑩ Self-cleaning function and easy to empty coffee grounds container and drip tray
- ⑪ 2.4L water tank capacity

SERIES & STYLE

Series 9
Minimal

The models shown in this Planning Guide may not be available in all markets and are subject to change at any time. Product specifications may vary from those shown. This Planning Guide should not be used as installation guidance for any product. Further information is required to safely and correctly install the products featured here. Specific installation guidance will be available on our website fisherpaykel.com



Warming Drawer WB60SMTB1-SET, paired with Steam Oven OS60NMTNB1

OVERVIEW

Designed to complement our Minimal style ovens, these warming drawers are handle-free, and push-to-open for a coherent, considered look. Beautiful to use, with capacitive touch controls and six tailored functions for warming, proofing, dehydrating and slow cook. Pair with other companion products to create a kitchen suite for every need.

PRODUCTS

WB60SMTB1-SET - Black Glass
Warming Drawer, 60cm, Tall, Panel Ready*

*This model comes with an accessory door panel, and is not suitable for use with a custom door panel

SERIES & STYLE

Series 9
Minimal

FEATURES

- ① Seamless pairing with our Minimal style ovens and other companion products
- ② Push-to-open drawer
- ③ Easy-to-use capacitive touch controls
- ④ Automatic timing and switch-off functionality
- ⑤ Easy-to-clean, smooth-glass base
- ⑥ Room for 16 standard-sized place settings
- ⑦ Versatile with six tailored programmes for warming, proofing, dehydrating and slow cook

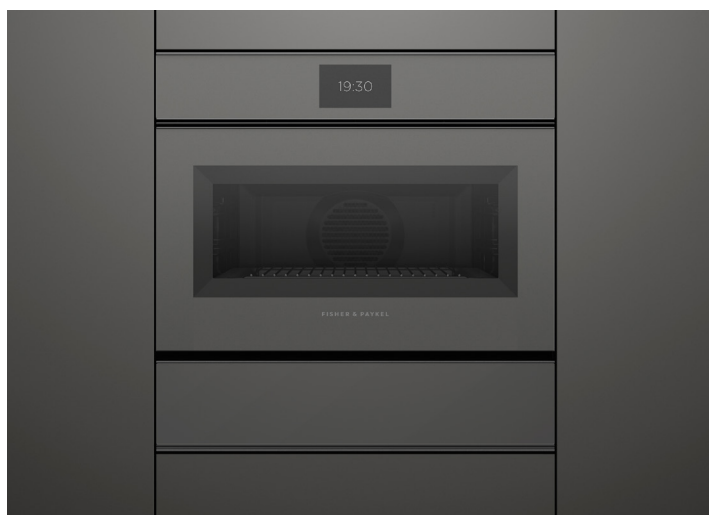
ACCESSORIES

- ① Accessory rack for optimising space

The models shown in this Planning Guide may not be available in all markets and are subject to change at any time. Product specifications may vary from those shown. This Planning Guide should not be used as installation guidance for any product. Further information is required to safely and correctly install the products featured here. Specific installation guidance will be available on our website fisherpaykel.com



Warming Drawer WB60SMB1-SET, paired with Steam Oven OS60NMTDB1



Warming Drawer WB60SMG1-SET, paired with Steam Oven OS60NMTDG1

OVERVIEW

Designed to complement our Minimal style ovens, these warming drawers are handle-free, and push-to-open for a coherent, considered look. Beautiful to use, with capacitive touch controls and six tailored functions for warming, proofing, dehydrating and slow cook. Pair with other companion products to create a kitchen suite for every need.

PRODUCTS

WB60SMB1-SET - Black Glass
Warming Drawer, 60cm, Panel Ready*

WB60SMG1-SET - Grey Glass
Warming Drawer, 60cm, Panel Ready*

*This model comes with an accessory door panel, and is not suitable for use with a custom door panel

SERIES & STYLE

Series 9
Minimal

FEATURES

- ① Seamless pairing with our Minimal style ovens and other companion products
- ② Push-to-open drawer
- ③ Easy-to-use capacitive touch controls
- ④ Easy-to-clean, smooth-glass base
- ⑤ Room for six standard-sized place settings
- ⑥ Automatic timing, switch-off functionality
- ⑦ Interior LED lighting
- ⑧ Versatile with six tailored programmes for warming, proofing, dehydrating and slow cook

The models shown in this Planning Guide may not be available in all markets and are subject to change at any time. Product specifications may vary from those shown. This Planning Guide should not be used as installation guidance for any product. Further information is required to safely and correctly install the products featured here. Specific installation guidance will be available on our website fisherpaykel.com



Vacuum Seal Drawer VB60SMB1-SET, paired with Steam Oven OS60NMTDB1



Vacuum Seal Drawer VB60SMG1-SET, paired with Steam Oven OS60NMTDG1

OVERVIEW

Designed to match our Minimal style appliances, the Vacuum Seal Drawer is the ideal companion for our Combination Steam Oven. Prepares food for sous vide cooking, or vacuum sealing for marinating, food storage and portioning and resealing. Beautiful to use, with capacitive touch controls, these drawers deliver the performance to achieve perfect results.

PRODUCTS

VB60SMB1-SET - Black Glass
Vacuum Seal Drawer, 60cm, Panel Ready*

VB60SMG1-SET - Grey Glass
Vacuum Seal Drawer, 60cm, Panel Ready*

*This model comes with an accessory door panel, and is not suitable for use with a custom door panel

SERIES & STYLE

Series 9
Minimal

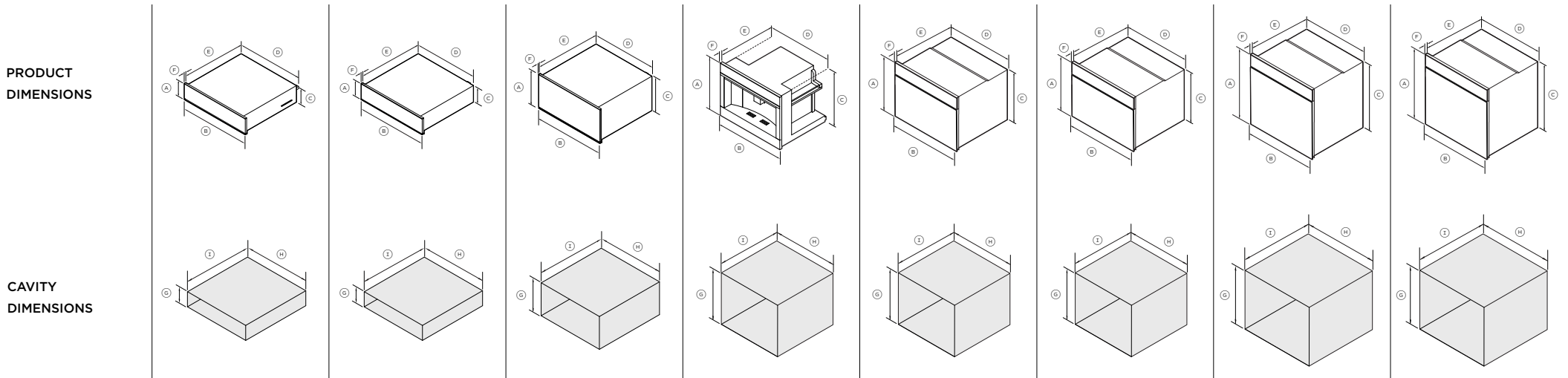
FEATURES

- ① Seamless pairing with our Minimal style ovens and other companion products
- ② Push-to-open drawer
- ③ Three levels of vacuum and heat sealing
- ④ Easy-to-clean base
- ⑤ Easy-to-use capacitive touch controls
- ⑥ Vacuum sealing for easy food portioning, marinating, storage and extended shelf life, or re-sealing
- ⑦ Effortless preparation for sous vide cooking
- ⑧ Maintenance and moisture indicator

ACCESSORIES

- ① External vacuuming accessory kit
- ② Large BPA free vacuum seal bags (50 bags, part 793034)
- ③ Small BPA-free vacuum seal bags (50 bags, part 793033)

The models shown in this Planning Guide may not be available in all markets and are subject to change at any time. Product specifications may vary from those shown. This Planning Guide should not be used as installation guidance for any product. Further information is required to safely and correctly install the products featured here. Specific installation guidance will be available on our website fisherpaykel.com



VACUUM SEAL DRAWER VB60SMB1-SET VB60SMG1-SET	WARMING DRAWER WB60SMB1-SET WB60SMG1-SET	WARMING DRAWER TALL WB60SMTB1-SET	BUILT-IN COFFEE MAKER EB60MSB1 EB60MSG1	COMBINATION MICROWAVE OVEN OM60NMTNB1 OM60NMTNG1	COMBINATION STEAM OVEN OS60NMTNB1 OS60NMTNG1	COMBINATION STEAM OVEN OS60SMTNB1 OS60SMTNG1	OVEN OB60SMPTNB1 OB60SMPTNG1
---	---	---	--	---	---	---	---

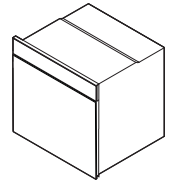
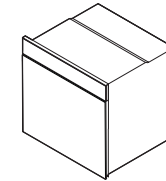
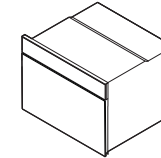
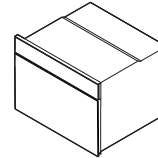
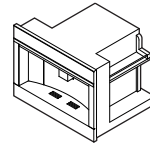
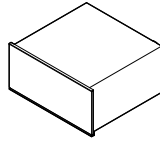
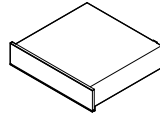
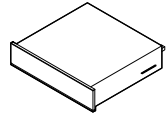
PRODUCT DIMENSIONS							
Ⓐ Overall height	140mm	140mm	290mm	458mm	458mm	458mm	598mm
Ⓑ Overall width	596mm	596mm	596mm	596mm	596mm	596mm	596mm
Ⓒ Chassis height	140mm	140mm	290mm	445mm	435mm	435mm	575mm
Ⓓ Chassis width	556mm**	543mm	543mm	560mm	556mm	556mm	556mm
Ⓔ Chassis depth	545mm	547mm	547mm	460mm	545mm	545mm	545mm
Ⓕ Front panel thickness	20mm	20mm	20mm	20mm	20mm	20mm	20mm
Depth of oven door fully open	-	-	-	-	320mm*	320mm*	460mm*

*Measured from front of control panel
**Includes side brackets

CAVITY DIMENSIONS							
Ⓖ Minimum inside height of cavity	142mm**	142mm**	292mm**	450mm	440mm	440mm	580mm
Ⓗ Minimum inside width of cavity	560mm	560mm	560mm	560mm	560mm	560mm	560mm
Ⓖ Minimum inside depth of cavity	550mm	550mm	550mm	545mm*	550mm*	550mm	550mm
Recommended cabinet width	600mm	600mm	600mm	600mm	600mm	600mm	600mm

*Requires ventilation at the rear of the cavity
**Standalone installation measurement can be installed with appliance on top. Drawers can fully support 60cm Fisher & Paykel wall oven, without adding shelf in between

The models shown in this Planning Guide may not be available in all markets and are subject to change at any time. Product specifications may vary from those shown. This Planning Guide should not be used as installation guidance for any product. Further information is required to safely and correctly install the products featured here. Specific installation guidance will be available on our website fisherpaykel.com



VACUUM SEAL DRAWER
VB60SMB1-SET
VB60SMG1-SET

WARMING DRAWER
WB60SMB1-SET
WB60SMG1-SET

WARMING DRAWER TALL
WB60SMTB1-SET

BUILT-IN COFFEE MAKER
EB60MSB1
EB60MSG1

COMBINATION MICROWAVE OVEN
OM60NMTNB1
OM60NMTNG1

COMBINATION STEAM OVEN
OS60NMTNB1
OS60NMTNG1

COMBINATION STEAM OVEN
OS60SMTNB1
OS60SMTNG1

OVEN
OB60SMPTNB1
OB60SMPTNG1

POWER REQUIREMENTS

Supply	220-240 V, 50 Hz	220-240 V, 50 Hz	220-240 V, 50 Hz	220-240 V, 50 Hz	220-240 V, 50 Hz	220-240 V, 50 Hz	220-240 V, 50 Hz	220-240 V, 50 Hz
Service	10 A	10 A	10 A	10 A	20 A	20 A	20 A	20 A
Connection	Flex cord 1800mm	Flex cord 1800mm	Flex cord 1800mm	Flex cord 1700mm	Hard wired	Hard wired	Hard wired	Hard wired

WEIGHT

Packaged	42kg	22kg	25kg	39kg	46kg	52kg	65kg	44kg
Unpackaged	35kg	18kg	20kg	29kg	41kg	39kg	46kg	38kg

CAPACITY

Total oven	-	-	-	-	49L	55L	85L	85L
Total water tank	-	-	-	2.4L	-	1.4L	1.4L	-

SERVICES

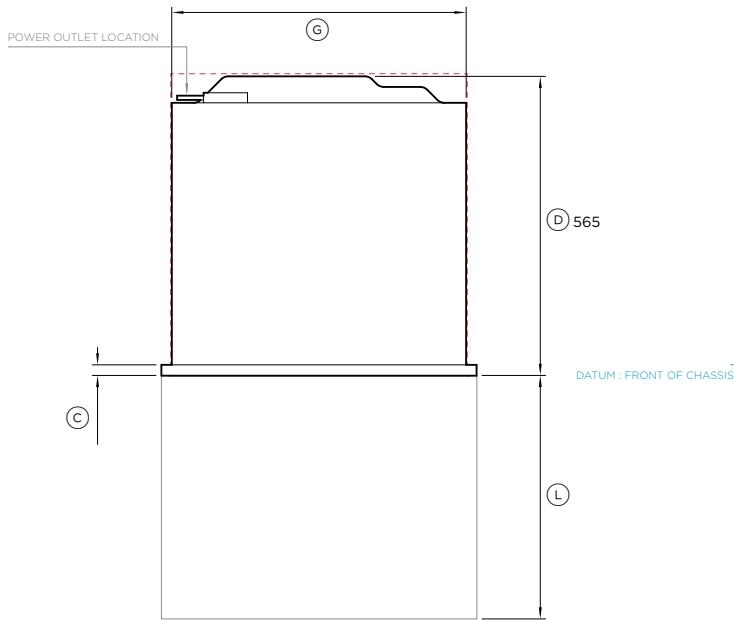
For more information on cord length, water supply and electrical requirements, refer to the 'Services' section of this Planning Guide.

WATER

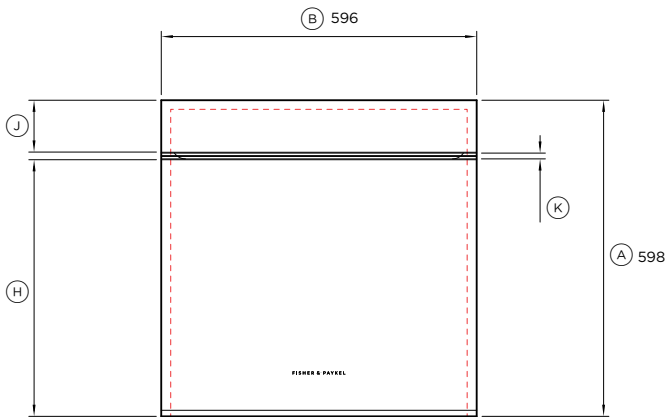
All Coffee Makers and Steam Ovens have internal water tanks which need to be filled manually. No external water supply is required.

The models shown in this Planning Guide may not be available in all markets and are subject to change at any time. Product specifications may vary from those shown. This Planning Guide should not be used as installation guidance for any product. Further information is required to safely and correctly install the products featured here. Specific installation guidance will be available on our website fisherpaykel.com

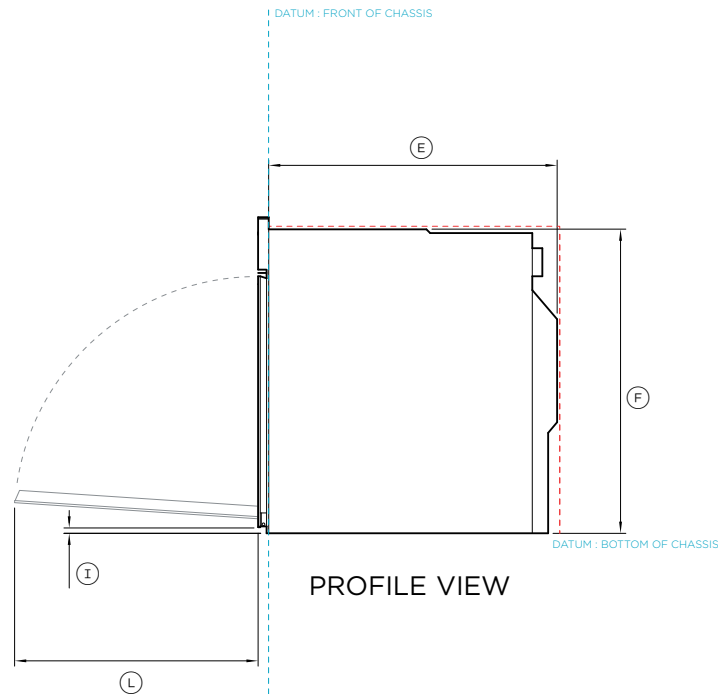
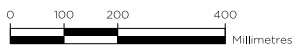
DATA SHEETS



PLAN VIEW



FRONT VIEW



PROFILE VIEW

Model no:

Oven, 60cm - OB60SMPTNB1, OB60SMPTNG1

Product Dimensions

	mm
A Overall height of product	598
B Overall width of product	596
C Depth of control panel	20
D Depth of chassis and control panel	565
E Depth of chassis	545
F Height of chassis	575
G Width of chassis	556
H Height from bottom datum to top of oven door	487
I Height from bottom datum to bottom of door	12
J Height of control panel	100
K Gap between door and control panel	11
L Depth of door when open (measured from front of door)	460

Minimum Clearances - Flush Installation

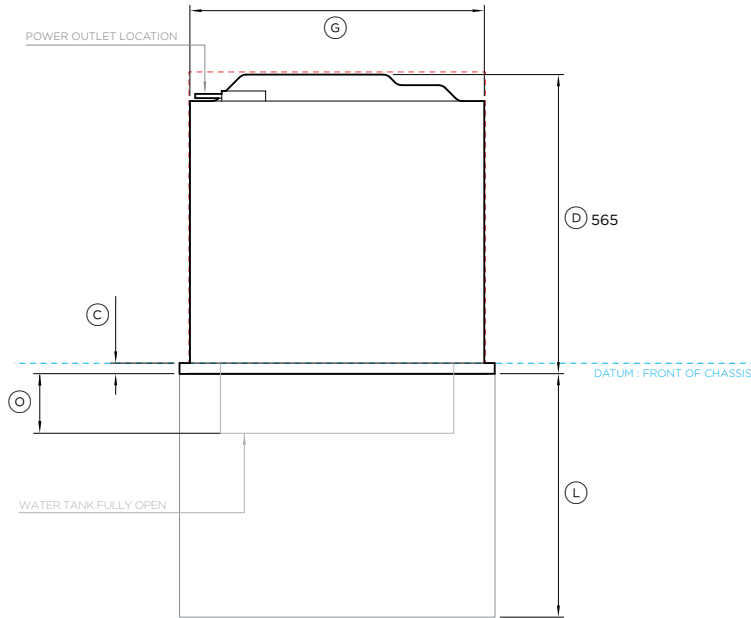
	mm
Minimum inside height of cavity	580
Minimum inside width of cavity	560
Minimum inside depth of cavity	550
Minimum clearances above oven control panel to upper cabinetry front panel or appliance	2
Minimum clearances between bottom of oven chassis to lower cabinetry front panel or appliance	2

Ensure a 5mm minimum clearance is maintained between the top of the oven chassis and the cabinetry. Ensure the oven is not bearing any weight from cabinetry or products installed above.

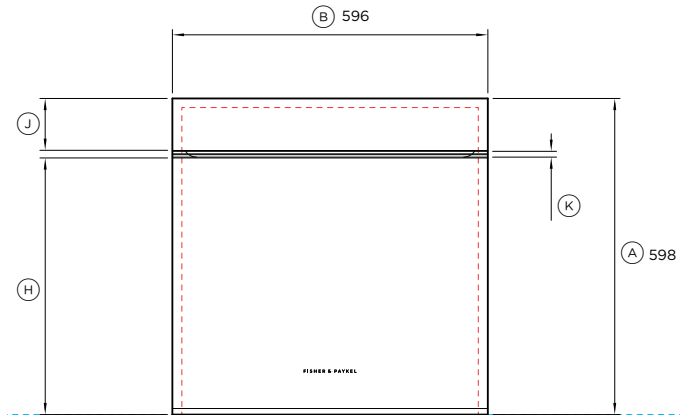
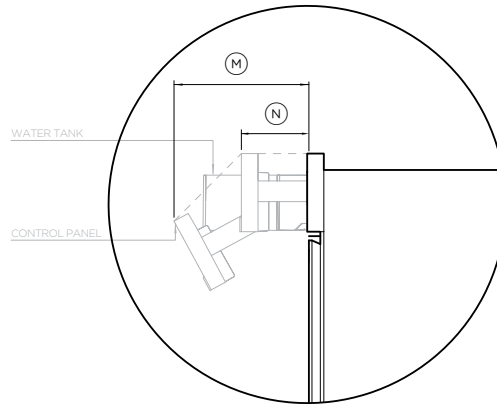
IMPORTANT NOTE: For full installation and clearance details please refer to our installation manual.

INDICATES CABINETRY / PRODUCT DATUM -----
INDICATES CABINETRY CLEARANCES - - - - -

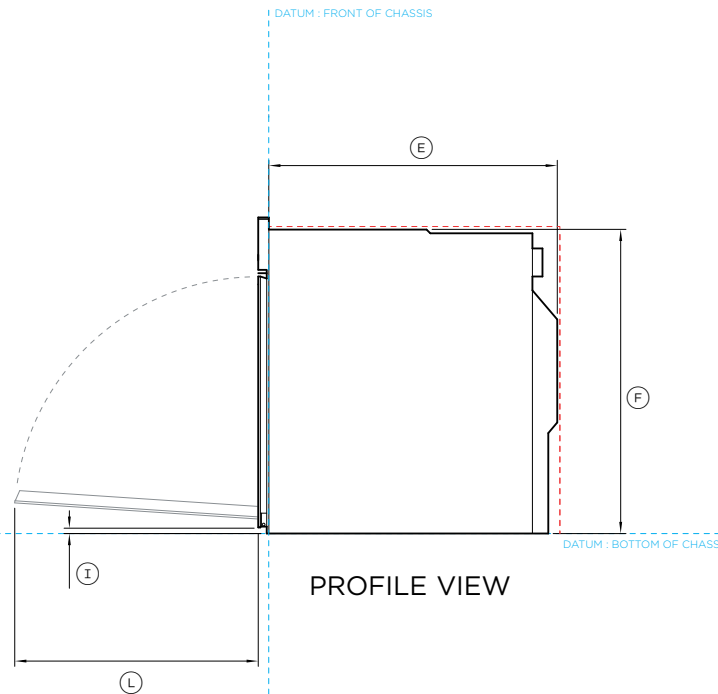
IMPORTANT NOTE: Throughout this guide, dimensions may vary by ±2mm (1/16"). Please read the Installation Guide for detailed information on installing the product. For full installation instructions visit fisherpaykel.com



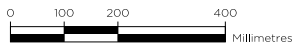
PLAN VIEW



FRONT VIEW



PROFILE VIEW



Model no:

Combination Steam Oven, 60cm - OS60SMTNB1, OS60SMTNG1

Product Dimensions

	mm
Ⓐ Overall height of product	598
Ⓑ Overall width of product	596
Ⓒ Depth of control panel	20
Ⓓ Depth of chassis and control panel	565
Ⓔ Depth of chassis	545
Ⓕ Height of chassis	575
Ⓖ Width of chassis	556
Ⓜ Height from bottom datum to top of oven door	487
Ⓨ Height from bottom datum to bottom of door	12
Ⓣ Height of control panel	100
Ⓧ Gap between door and control panel	11
Ⓛ Depth of door when open (measured from front of door)	460
Ⓜ Control panel fully open (measured from front of door)	170
Ⓝ Control panel half open (measured from front of door)	84
Ⓞ Water tank carriage fully open (measured from front of door)	133

Minimum Clearances - Flush Installation

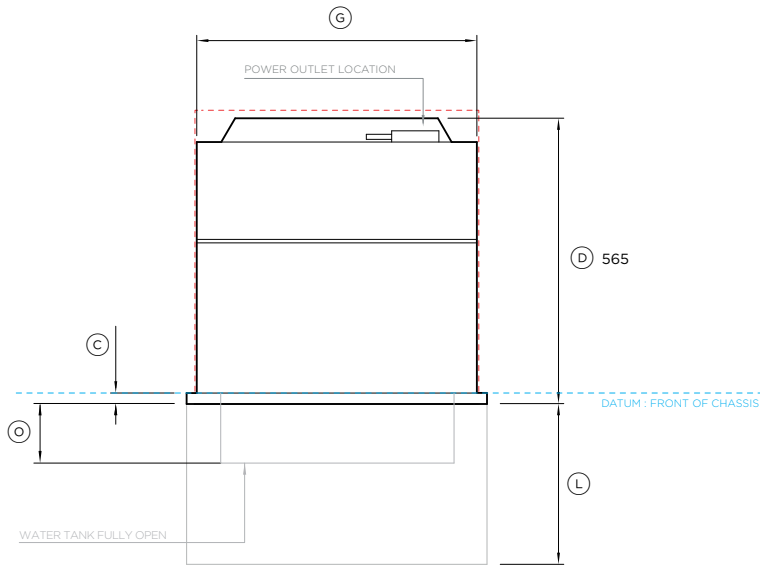
	mm
Minimum inside height of cavity	580
Minimum inside width of cavity	560
Minimum inside depth of cavity	550
Minimum clearances above oven control panel to upper cabinetry front panel or appliance	2
Minimum clearances between bottom of oven chassis to lower cabinetry front panel or appliance	2

Ensure a 5mm minimum clearance is maintained between the top of the oven chassis and the cabinetry. Ensure the oven is not bearing any weight from cabinetry or products installed above.

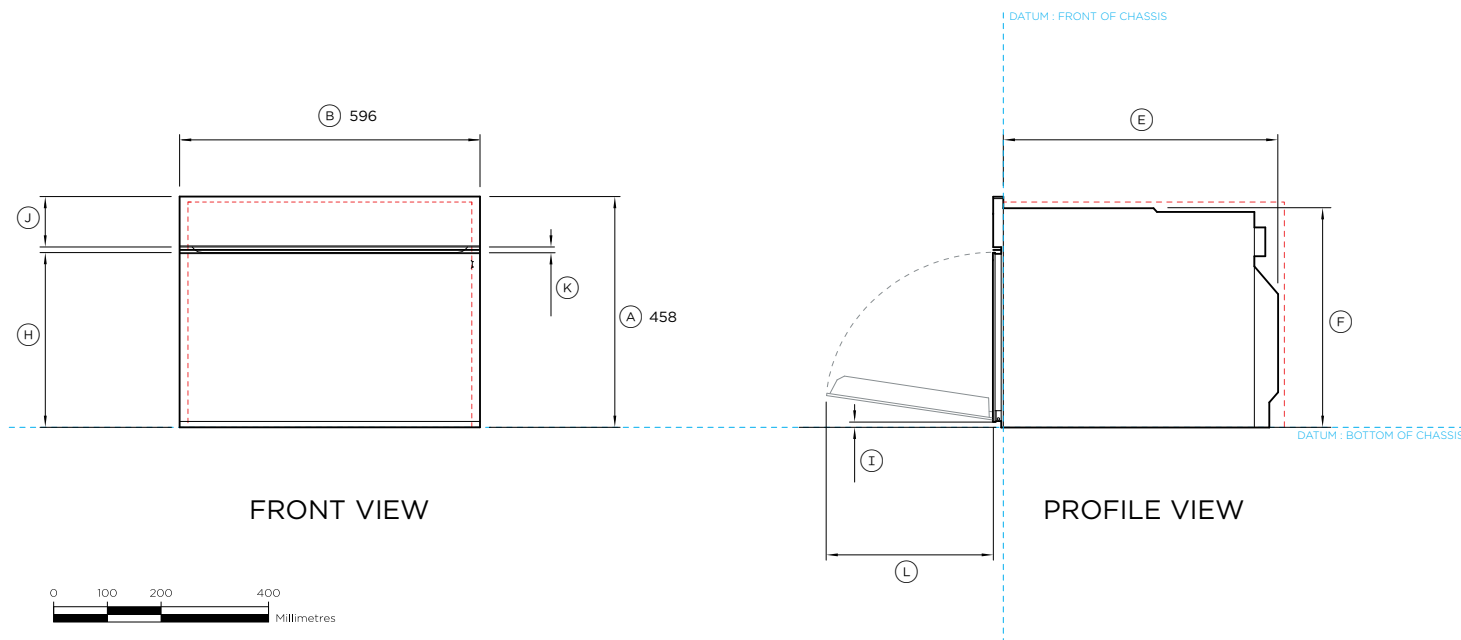
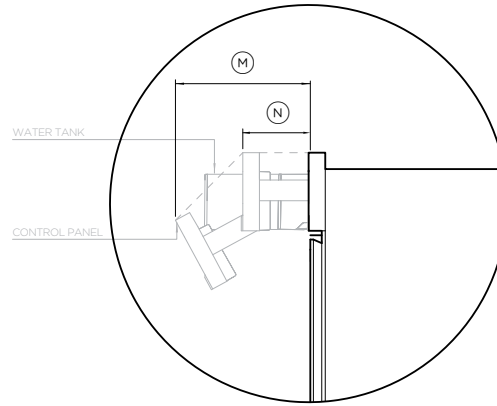
IMPORTANT NOTE: For full installation and clearance details please refer to our installation manual.

INDICATES CABINETRY / PRODUCT DATUM
 INDICATES CABINETRY CLEARANCES - - - - -

IMPORTANT NOTE: Throughout this guide, dimensions may vary by ±2mm (1/16"). Please read the Installation Guide for detailed information on installing the product. For full installation instructions visit fisherpaykel.com



PLAN VIEW



FRONT VIEW

PROFILE VIEW

Model no:

Combination Steam Oven, 60cm - OS60NMTNB1, OS60NMTNG1

Product Dimensions

	mm
Ⓐ Overall height of product	458
Ⓑ Overall width of product	596
Ⓒ Depth of control panel	20
Ⓓ Depth of chassis and control panel	565
Ⓔ Depth of chassis	545
Ⓕ Height of chassis	435
Ⓖ Width of chassis	556
Ⓜ Height from bottom datum to top of oven door	347
Ⓨ Height from bottom datum to bottom of door	12
Ⓣ Height of control panel	100
Ⓧ Gap between door and control panel	11
Ⓛ Depth of door when open (measured from front of door)	320
Ⓜ Control panel fully open (measured from front of door)	170
Ⓝ Control panel half open (measured from front of door)	84
Ⓟ Water tank carriage fully open (measured from front of door)	133

Minimum Clearances - Flush Installation

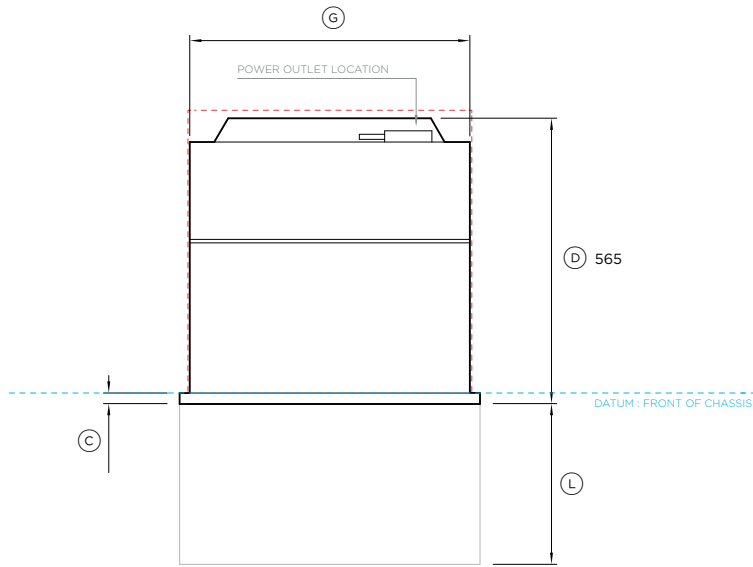
	mm
Minimum inside height of cavity	440
Minimum inside width of cavity	560
Minimum inside depth of cavity	550
Minimum clearances above oven control panel to upper cabinetry front panel or appliance	2
Minimum clearances between bottom of oven chassis to lower cabinetry front panel or appliance	2

Ensure a 5mm minimum clearance is maintained between the top of the oven chassis and the cabinetry. Ensure the oven is not bearing any weight from cabinetry or products installed above.

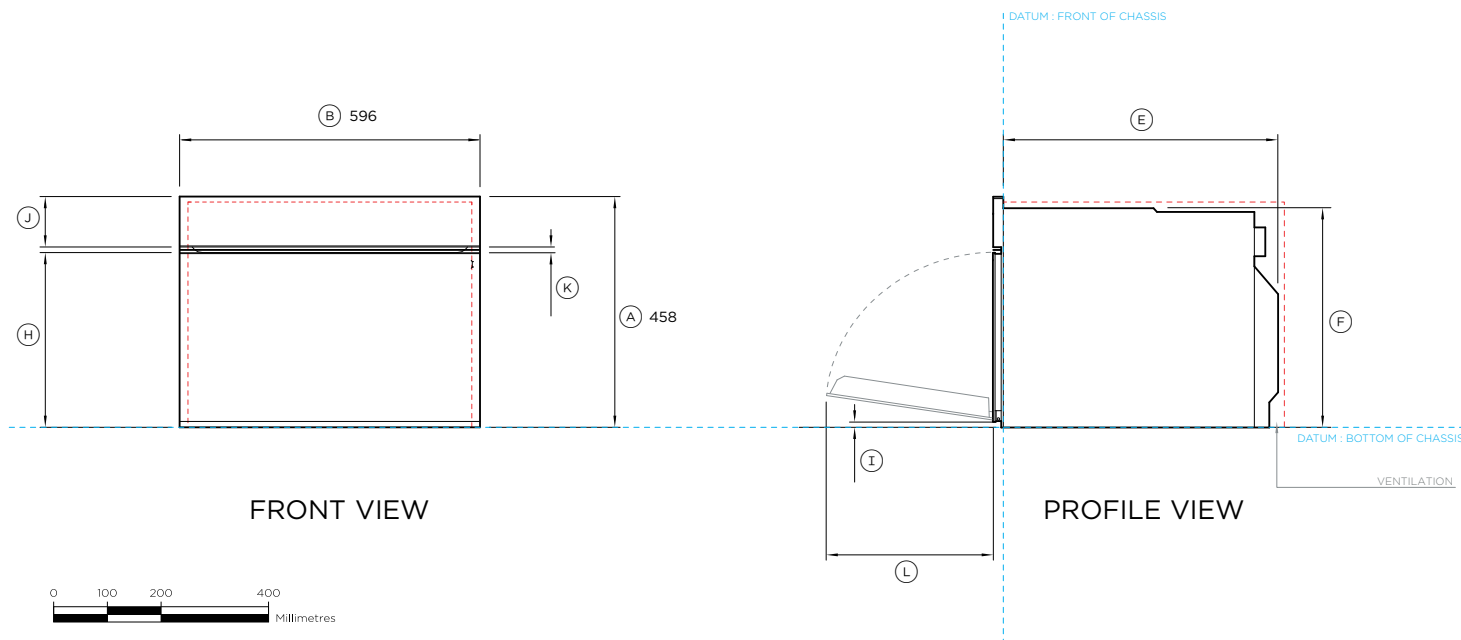
IMPORTANT NOTE: For full installation and clearance details please refer to our installation manual.

INDICATES CABINETRY / PRODUCT DATUM -----
 INDICATES CABINETRY CLEARANCES - - - - -

IMPORTANT NOTE: Throughout this guide, dimensions may vary by ±2mm (1/16"). Please read the Installation Guide for detailed information on installing the product. For full installation instructions visit fisherpaykel.com



PLAN VIEW



FRONT VIEW

PROFILE VIEW



Model no:

Combination Microwave Oven, 60cm - OM60NMTNB1, OM60NMTNG1

Product Dimensions

	mm
Ⓐ Overall height of product	458
Ⓑ Overall width of product	596
Ⓒ Depth of control panel	20
Ⓓ Depth of chassis and control panel	565
Ⓔ Depth of chassis	545
Ⓕ Height of chassis	435
Ⓖ Width of chassis	556
ⓓ Height from bottom datum to top of oven door	347
Ⓣ Height from bottom datum to bottom of door	12
Ⓩ Height of control panel	100
Ⓚ Gap between door and control panel	11
Ⓛ Depth of door when open (measured from front of door)	320

Minimum Clearances - Flush Installation

	mm
Minimum inside height of cavity	440
Minimum inside width of cavity	560
Minimum inside depth of cavity	550
Rear ventilation air vent depth*	50
Rear ventilation air vent width*	560
Minimum clearances above oven control panel to upper cabinetry front panel or appliance	2
Minimum clearances between bottom of oven chassis to lower cabinetry front panel or appliance	2

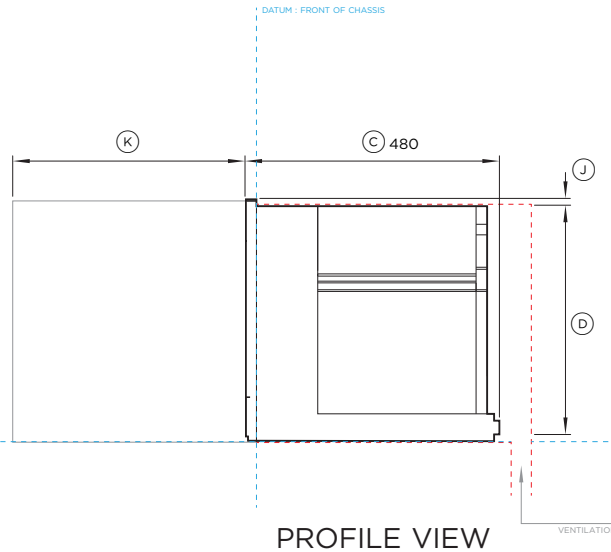
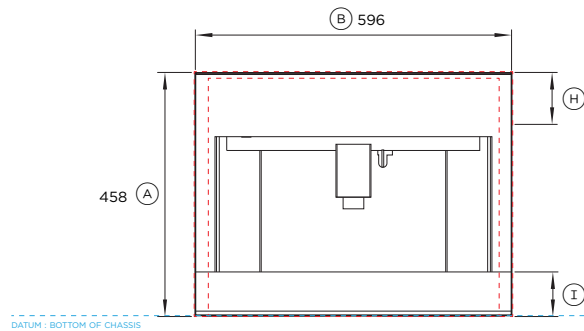
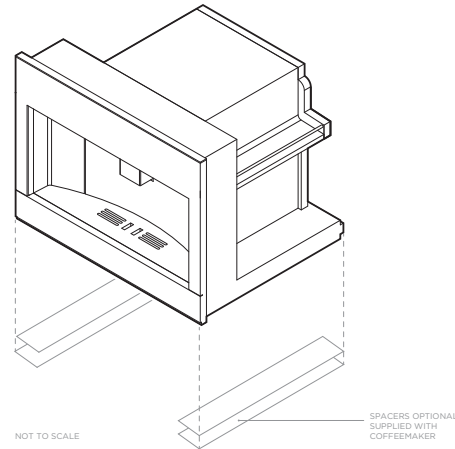
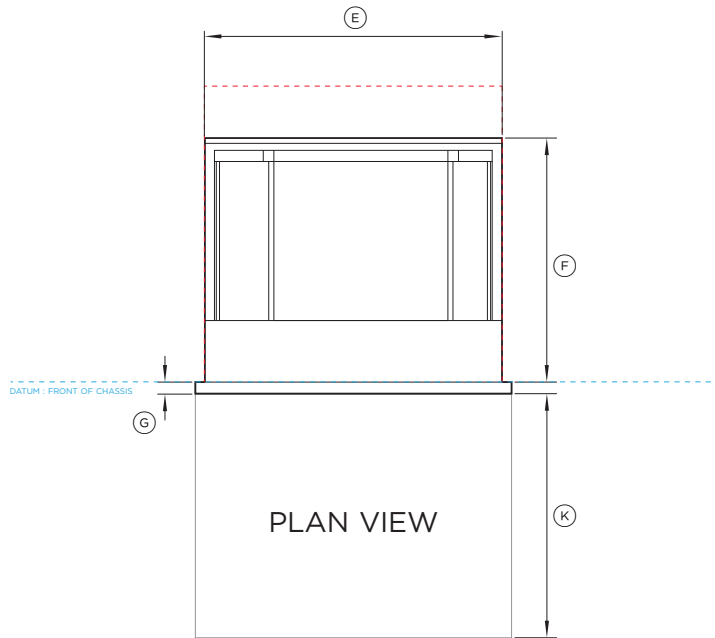
*A rear ventilation air vent totalling 280cm² is required. The air vent must be located at the rear of the cabinet, it can be positioned at the base, sides, back or top of the cavity.

Ensure a 5mm minimum clearance is maintained between the top of the oven chassis and the cabinetry. Ensure the oven is not bearing any weight from cabinetry or products installed above.

IMPORTANT NOTE: For full installation and clearance details please refer to our installation manual.

INDICATES CABINETRY / PRODUCT DATUM -----
 INDICATES CABINETRY CLEARANCES -----

IMPORTANT NOTE: Throughout this guide, dimensions may vary by ±2mm (1/16"). Please read the Installation Guide for detailed information on installing the product. For full installation instructions visit fisherpaykel.com



Model no:

Built-in Coffee Maker, 60cm - EB60MSB1, EB60MSG1

Product Dimensions

	mm
Ⓐ Overall height of product	458
Ⓑ Overall width of product	596
Ⓒ Overall depth of product (excludes front metal trim)	480
Ⓓ Height of chassis	445
Ⓔ Width of chassis	560
Ⓕ Depth of chassis	460
Ⓞ Depth of coffee maker front frame and control panel (excludes front metal trim)	20
Ⓜ Height of control panel	100
Ⓨ Height of horizontal lower section from bottom datum	83
Ⓩ Stepdown from control panel to chassis	13
Ⓧ Extent coffee maker pulls out	435

Minimum Clearances - Flush Installation

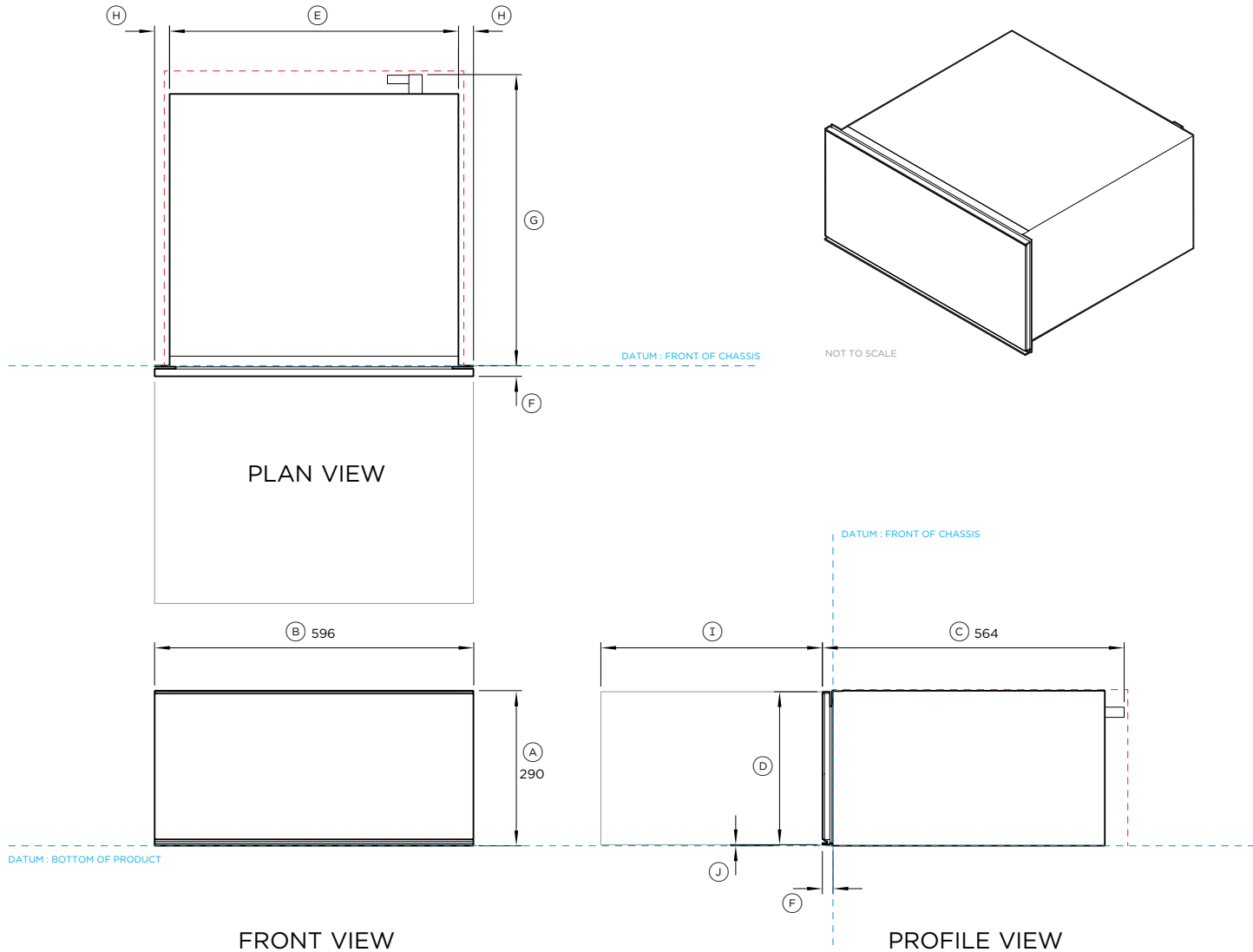
	mm
Minimum inside height of cavity	450
Minimum inside width of cavity	560
Minimum inside depth of cavity from front datum	545
Overall height of cabinetry	460
Overall width of cabinetry	600
Rear ventilation air vent depth*	50
Rear ventilation air vent width*	560
Minimum clearances above built-in coffee maker control panel to upper cabinetry front panel or appliance	2
Minimum clearances between bottom of coffee maker rails to lower cabinetry front panel or appliance	2

*A rear ventilation air vent totalling 280cm² is required. The air vent must be located at the rear of cabinet. It can be positioned at the base, sides, back or top of the cavity.

IMPORTANT NOTE: For full installation and clearance details please refer to our installation manual.

INDICATES CABINETRY / PRODUCT DATUM -----
 INDICATES CABINETRY CLEARANCES - - - - -

IMPORTANT NOTE: Throughout this guide, dimensions may vary by ±2mm (1/16"). Please read the Installation Guide for detailed information on installing the product. For full installation instructions visit fisherpaykel.com



Model no:

Warming Drawer, 60cm, Tall - WB60SMTB1-SET

Product Dimensions

	mm
Ⓐ Overall height of product	290
Ⓑ Overall width of product	596
Ⓒ Overall depth (incl. front panel & power plug)	564
Ⓓ Height of drawer front panel	286
Ⓔ Width of chassis	543
Ⓕ Depth of drawer front panel and flange	20
Ⓖ Depth of chassis (includes power plug, excludes flange)	547
ⓓ Distance from side of chassis to side of drawer front	36
Ⓜ Depth of open drawer (measured from front of drawer panel)	414
Ⓝ Height from bottom of chassis to bottom of front panel	2

Dimension Clearances - Flush Installation

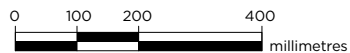
	mm
Minimum inside height of cavity	292
Minimum inside width of cavity	560
Minimum inside depth of cavity	550
Overall width of cabinetry	600
Minimum clearances above drawer front panel to upper cabinetry front panel or appliance*	4
Minimum clearances between bottom of drawer chassis to lower cabinetry front panel or appliance	2

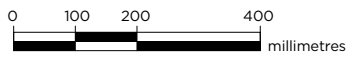
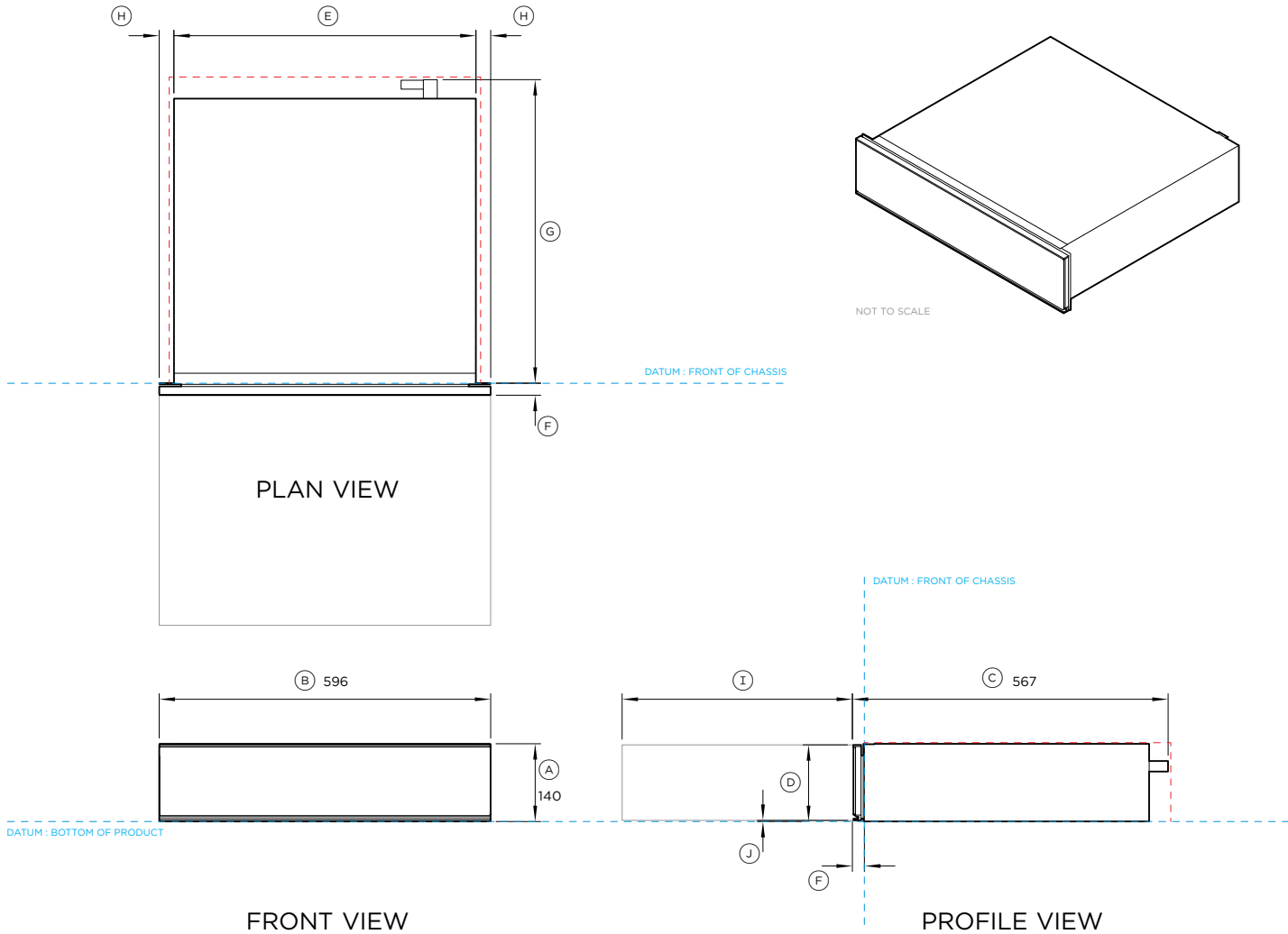
*Achieve a smaller gap between drawer front panel to upper cabinetry front panel by dropping cabinetry front panel down

IMPORTANT NOTE: For full installation and clearance details please refer to our installation manual.

INDICATES CABINERY / PRODUCT DATUM -----
 INDICATES CABINERY CLEARANCES - - - - -

IMPORTANT NOTE: Throughout this guide, dimensions may vary by ±2mm (1/16"). Please read the Installation Guide for detailed information on installing the product. For full installation instructions visit fisherpaykel.com





Model no:

Warming Drawer, 60cm - WB60SMB1-SET, WB60SMG1-SET

Product Dimensions

	mm
Ⓐ Overall height of product	140
Ⓑ Overall width of product	596
Ⓒ Overall depth (incl. front panel & power plug, excludes stainless cap)	567
Ⓓ Height of drawer front panel	136
Ⓔ Width of chassis	543
Ⓕ Depth of drawer front panel and flange (excludes stainless cap)	20
Ⓖ Depth of chassis (includes power plug, excludes flange)	547
Ⓗ Distance from side of chassis to side of drawer front	36
Ⓘ Depth of open drawer (measured from front of drawer panel)	414
Ⓣ Height from bottom of chassis to bottom of front panel	2

Dimension Clearances - Flush Installation

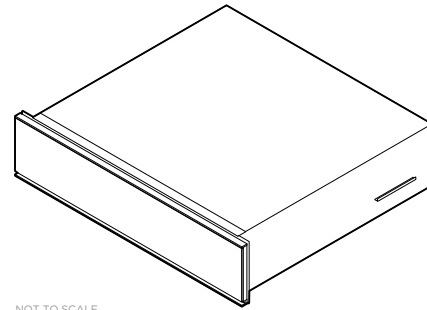
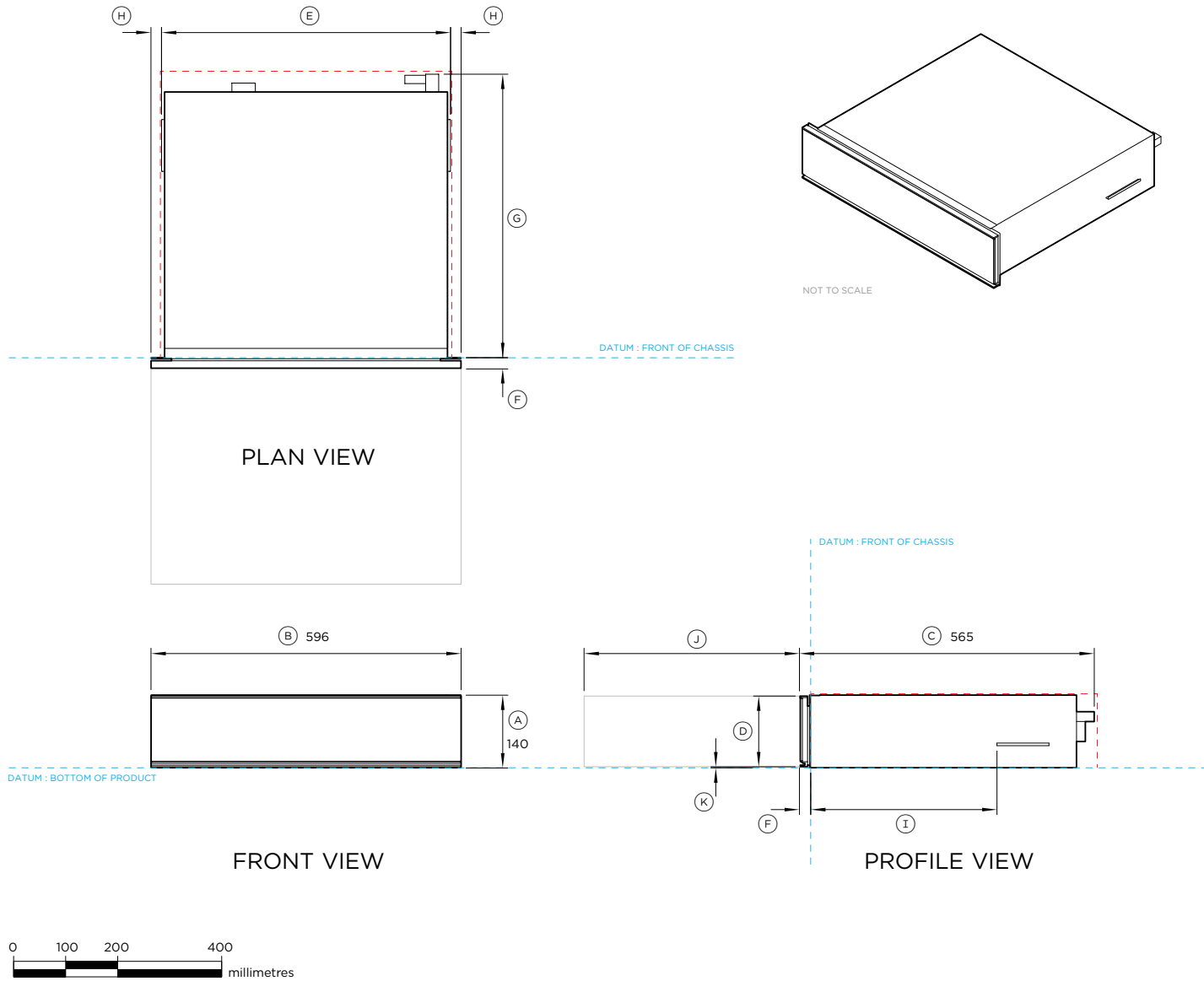
	mm
Minimum inside height of cavity	142
Minimum inside width of cavity	560
Minimum inside depth of cavity	550
Overall width of cabinetry	600
Minimum clearances above drawer front panel to upper cabinetry front panel or appliance*	4
Minimum clearances between bottom of drawer chassis to lower cabinetry front panel or appliance	2

*Achieve a smaller gap between drawer front panel to upper cabinetry front panel by dropping cabinetry front panel down

IMPORTANT NOTE: For full installation and clearance details please refer to our installation manual.

INDICATES CABINETRY / PRODUCT DATUM -----
 INDICATES CABINETRY CLEARANCES - - - - -

IMPORTANT NOTE: Throughout this guide, dimensions may vary by ±2mm (1/16"). Please read the Installation Guide for detailed information on installing the product. For full installation instructions visit fisherpaykel.com



Model no:

Vacuum Seal Drawer - VB60SMB1-SET, VB60SMG1-SET

Product Dimensions

	mm
Ⓐ Overall height of product	140
Ⓑ Overall width of product	596
Ⓒ Overall depth (incl. front panel & power plug)	565
Ⓓ Height of drawer front panel	136
Ⓔ Width of chassis (includes side brackets)	556
Ⓕ Depth of drawer front panel and flange	20
Ⓖ Depth of chassis (includes power plug, excludes flange)	545
Ⓜ Distance from side bracket to side of drawer front	20
Ⓣ Distance between flange and side bracket	358
Ⓝ Depth of open drawer (measured from front of drawer panel)	414
Ⓚ Height from bottom of chassis to bottom of front panel	2

Dimension Clearances - Flush Installation

	mm
Minimum inside height of cavity	142
Minimum inside width of cavity	560
Minimum inside depth of cavity	550
Overall width of cabinetry	600
Minimum clearances above drawer front panel to upper cabinetry front panel or appliance*	4
Minimum clearances between bottom of drawer chassis to lower cabinetry front panel or appliance	2

*Achieve a smaller gap between drawer front panel to upper cabinetry front panel by dropping cabinetry front panel down

IMPORTANT NOTE: For full installation and clearance details please refer to our installation manual.

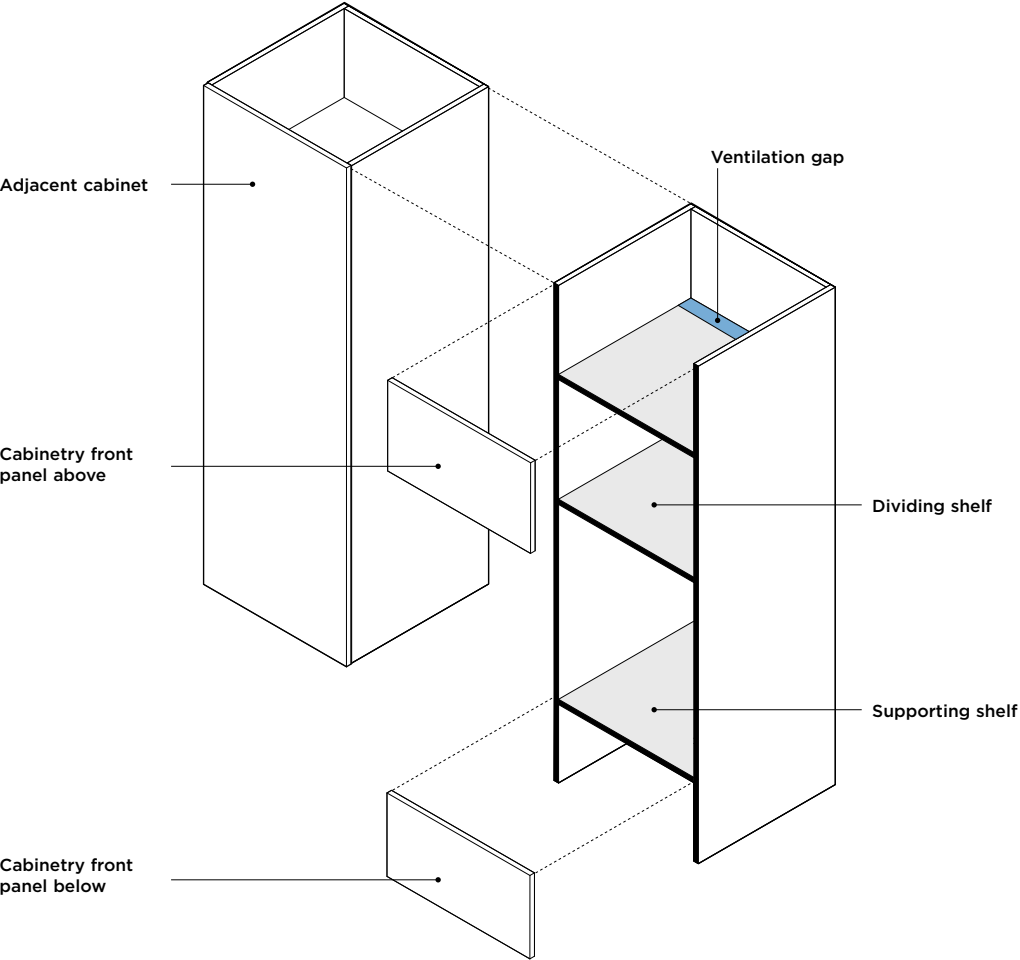
INDICATES CABINETRY / PRODUCT DATUM -----
 INDICATES CABINETRY CLEARANCES - - - - -

IMPORTANT NOTE: Throughout this guide, dimensions may vary by ±2mm (1/16"). Please read the Installation Guide for detailed information on installing the product. For full installation instructions visit fisherpaykel.com

PLANNING CONSIDERATIONS

BLACK CLASHING

Black clashing recommended on front facing edges where products are located and on side cabinets if cabinet is rebated.

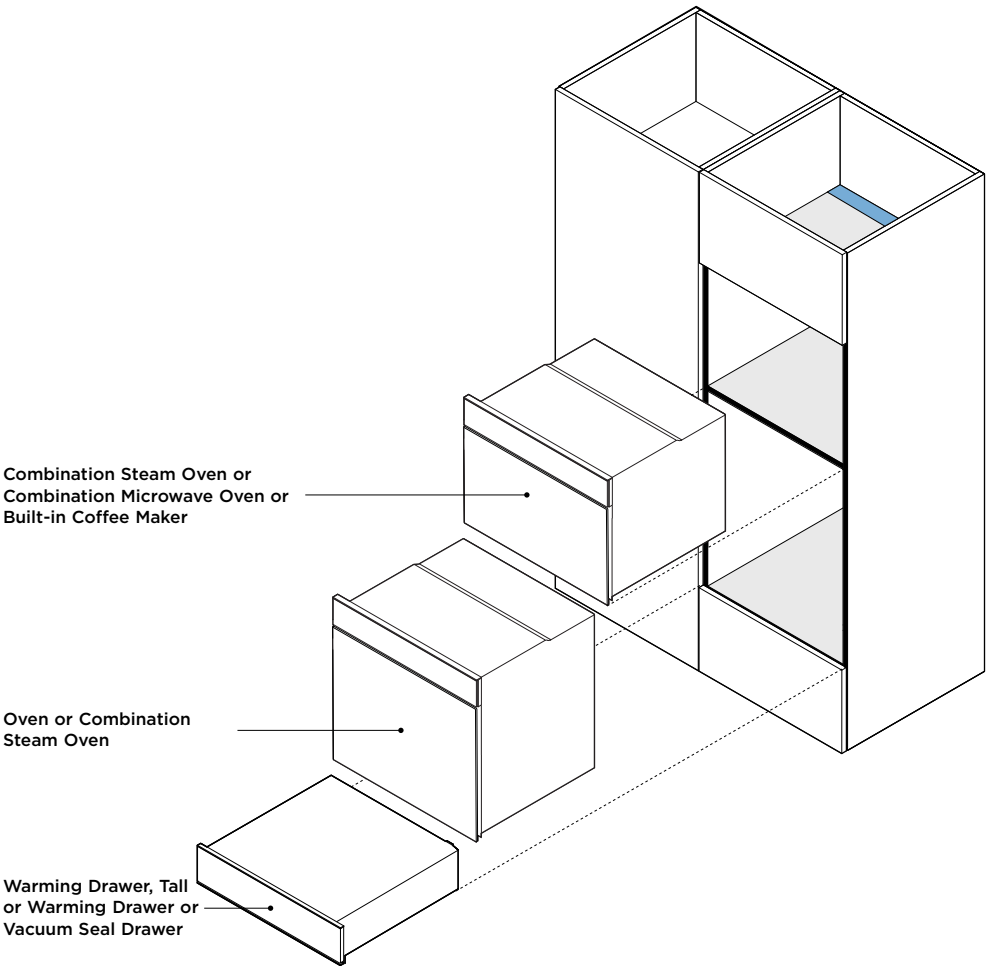


DIVIDING SHELF

If the cabinetry front panels are thinner than 20mm (less than the thickness of the appliance front) a rebate is required for the appliance to achieve a flush finish.

LEVEL CABINETRY

Check the shelves are level and the side panels are straight.



The models shown in this Planning Guide may not be available in all markets and are subject to change at any time. Product specifications may vary from those shown. This Planning Guide should not be used as installation guidance for any product. Further information is required to safely and correctly install the products featured here. Specific installation guidance will be available on our website fisherpaykel.com

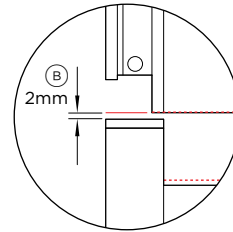
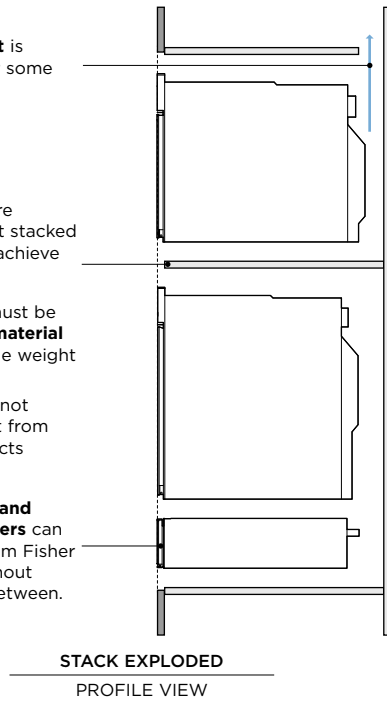
Ventilation air vent is required at rear for some products.

Dividing shelves are required to support stacked appliances and to achieve correct clearance.

Dividing shelves must be constructed from material that will support the weight of the appliances.

Ensure the oven is not bearing any weight from cabinetry or products installed above.

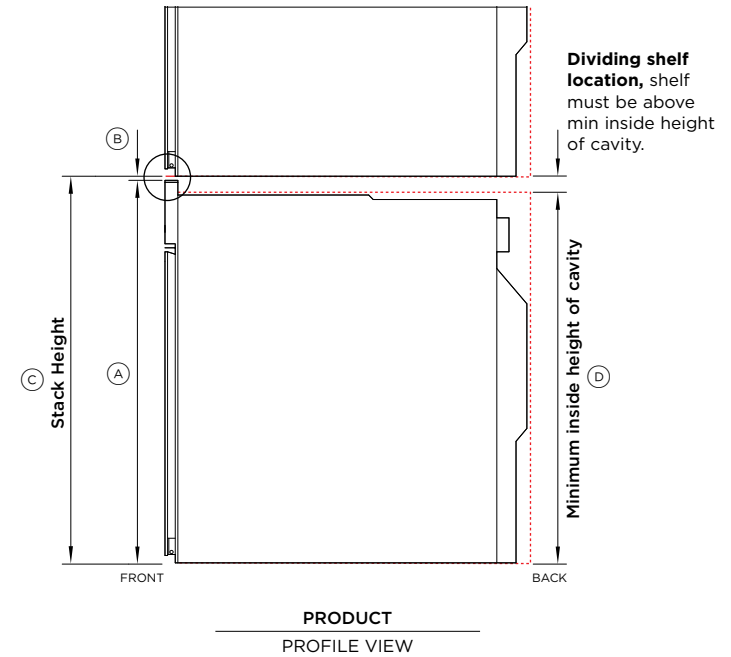
Warming Drawers and Vacuum Seal Drawers can fully support a 60cm Fisher & Paykel oven, without adding a shelf in between.



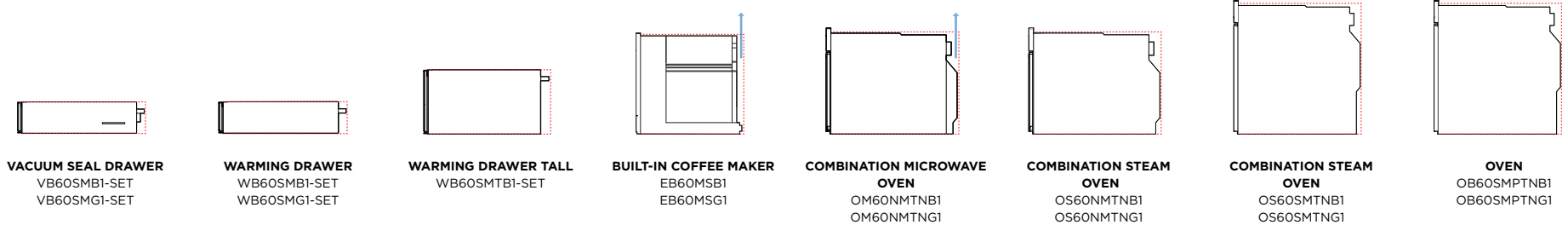
Minimum clearances above appliance control panel to upper appliance

STACK HEIGHT

$$\begin{aligned}
 & \textcircled{A} \text{ Overall product height} \\
 & + \\
 & \textcircled{B} \text{ Minimum clearances above appliance control panel or front panel to upper appliance} \\
 & = \\
 & \textcircled{C} \text{ Stacked Height}
 \end{aligned}$$



MINIMUM DIMENSION CLEARANCES



DIMENSIONS

	VACUUM SEAL DRAWER VB60SMB1-SET VB60SMG1-SET	WARMING DRAWER WB60SMB1-SET WB60SMG1-SET	WARMING DRAWER TALL WB60SMTB1-SET	BUILT-IN COFFEE MAKER EB60MSB1 EB60MSG1	COMBINATION MICROWAVE OVEN OM60NMTNB1 OM60NMTNG1	COMBINATION STEAM OVEN OS60NMTNB1 OS60NMTNG1	COMBINATION STEAM OVEN OS60SMTNB1 OS60SMTNG1	OVEN OB60SMPTNB1 OB60SMPTNG1
Ⓐ Overall product height	140mm	140mm	290mm	458mm***	458mm	458mm	598mm	598mm
Ⓑ Minimum clearance above	-	-	-	2mm	2mm	2mm	2mm	2mm
Ⓒ Stack height	140mm**	140mm**	290mm**	460mm*	460mm*	460mm*	600mm*	600mm*
Ⓓ Minimum inside height of cavity	140mm	140mm	290mm	450mm	440mm	440mm	580mm	580mm

*Stack Height is overall product height with minimum clearances above appliance control panel or front panel to upper appliance

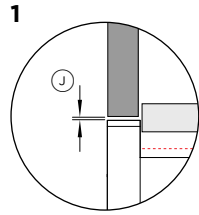
**Warming Drawers and Vacuum Seal Drawers can fully support a 60cm Fisher & Paykel oven, without adding a shelf in between.

***Includes coffee maker rail height

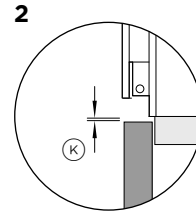
The models shown in this Planning Guide may not be available in all markets and are subject to change at any time. Product specifications may vary from those shown. This Planning Guide should not be used as installation guidance for any product. Further information is required to safely and correctly install the products featured here. Specific installation guidance will be available on our website fisherpaykel.com

COOKTOP CLEARANCE

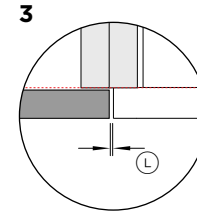
If installing a cooktop above the oven, ensure adequate clearance is provided for the cooktop as per the cooktop manufacturer's instructions.



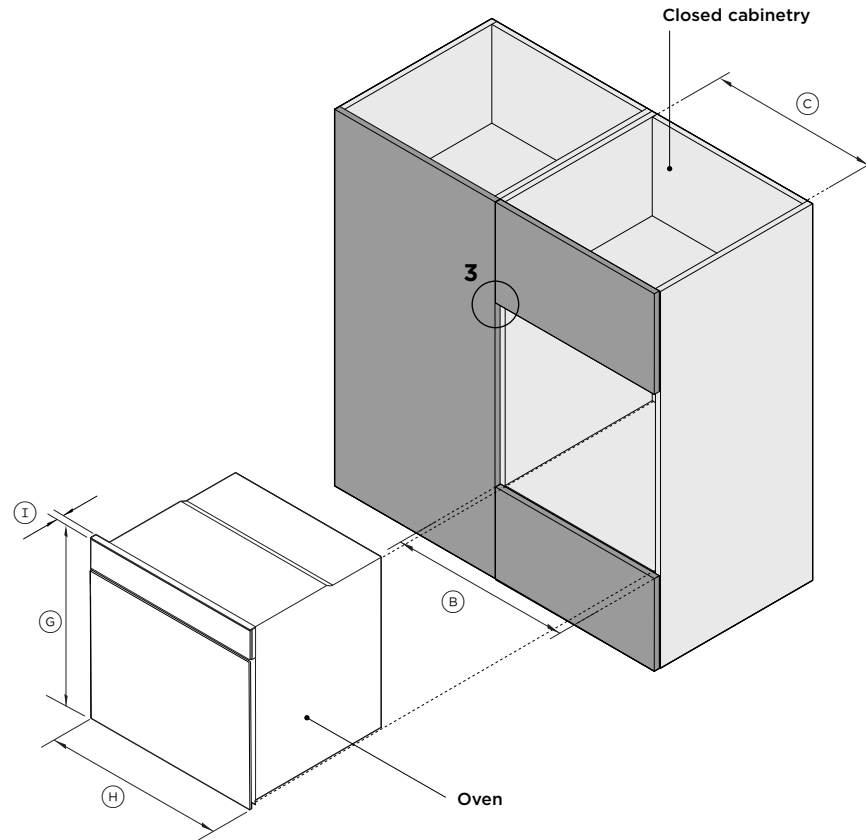
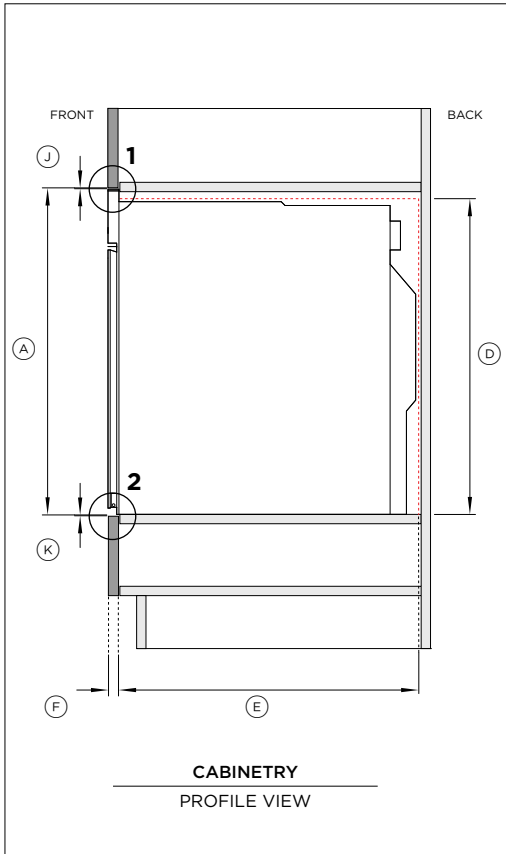
1
CLEARANCE ABOVE
PROFILE VIEW



2
CLEARANCE BOTTOM
PROFILE VIEW



3
ADJACENT CABINET
PLAN VIEW



Model no:

Oven - OB60SMPTNB1, OB60SMPTNG1

Cabinetry Dimensions - Flush

	mm
Ⓐ Overall cabinet height*	600
Ⓑ Overall cabinet width	600
Ⓒ Minimum inside width of cavity	560
Ⓓ Minimum inside height of cavity	580
Ⓔ Minimum inside depth of cavity	550
Ⓕ Thickness of cabinetry front panel**	16-20

*Overall cabinet height is overall product height with minimum clearances above oven control panel to upper cabinetry front panel

**Cabinetry shown in drawings 19mm panels. If the front panel is thinner than 20mm a rebate for the Oven is required to achieve a flush finish

Product Dimensions

	mm
Ⓒ Overall height of product	598
Ⓓ Overall width of product	596
Ⓕ Thickness of oven front panel	20

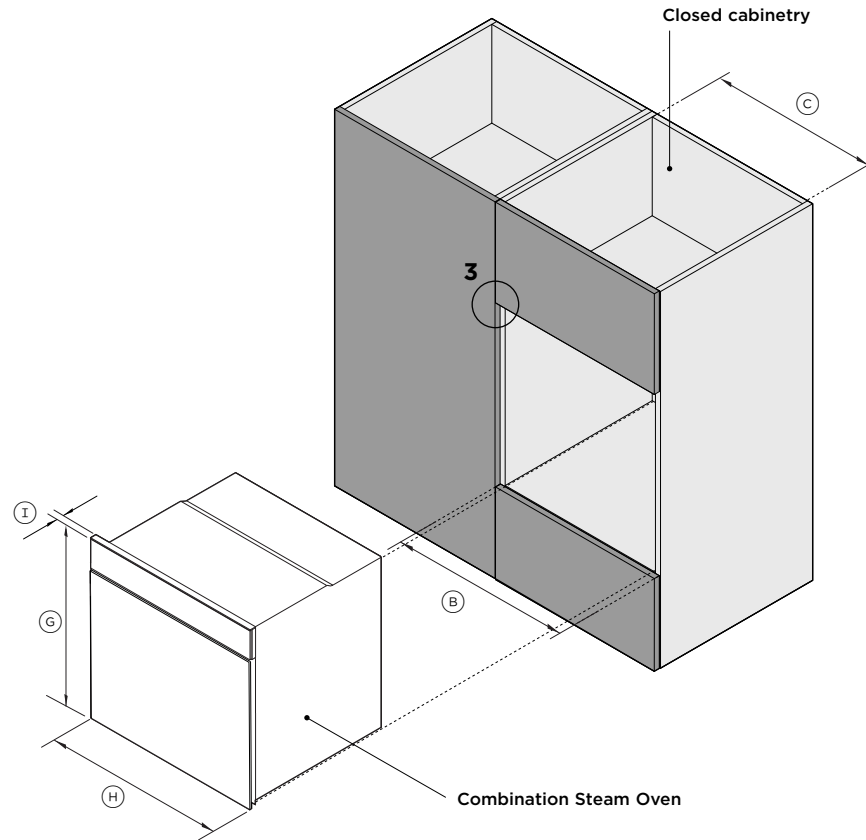
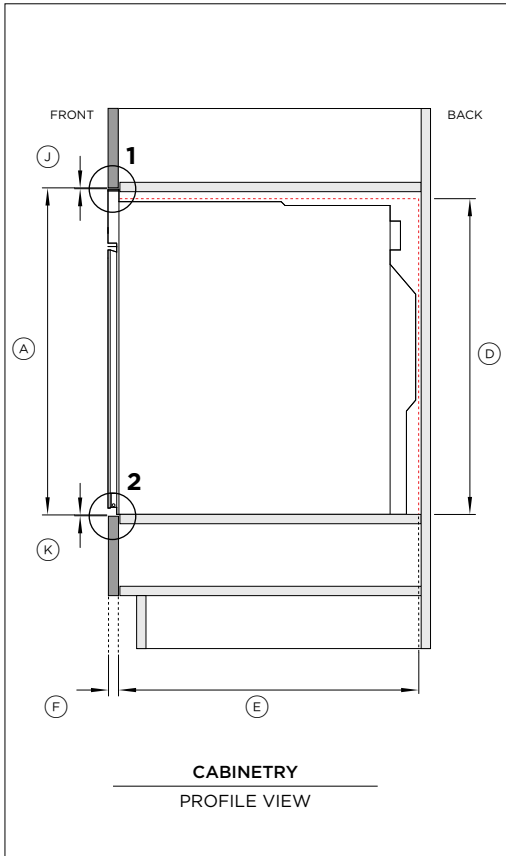
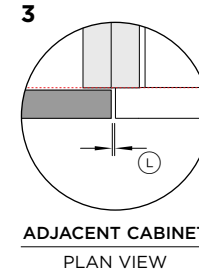
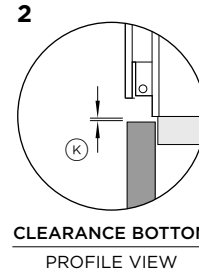
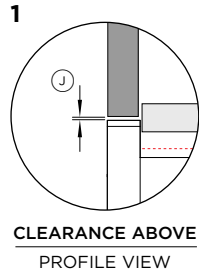
Cabinetry Clearances

	mm
Ⓒ Minimum clearances above oven control panel to upper cabinetry front panel	2
Ⓓ Minimum clearances between bottom of oven chassis to lower cabinetry front panel	2
Ⓕ Minimum clearance between adjacent front panel or appliance	2

The models shown in this Planning Guide may not be available in all markets and are subject to change at any time. Product specifications may vary from those shown. This Planning Guide should not be used as installation guidance for any product. Further information is required to safely and correctly install the products featured here. Specific installation guidance will be available on our website fisherpaykel.com

COOKTOP CLEARANCE

If installing a cooktop above the oven, ensure adequate clearance is provided for the cooktop as per the cooktop manufacturer's instructions.



Model no:
Combination Steam Oven - OS60SMTNB1, OS60SMTNG1

Cabinetry Dimensions - Flush	mm
Ⓐ Overall cabinet Height*	600
Ⓑ Overall cabinet width	600
Ⓒ Minimum inside width of cavity	560
Ⓓ Minimum inside height of cavity	580
Ⓔ Minimum inside depth of cavity	550
Ⓕ Thickness of cabinetry front panel**	16-20

*Overall cabinet height is overall product height with minimum clearances above oven control panel to upper cabinetry front panel

**Cabinetry shown in drawings 19mm panels. If the front panel is thinner than 20mm a rebate for the Oven is required to achieve a flush finish

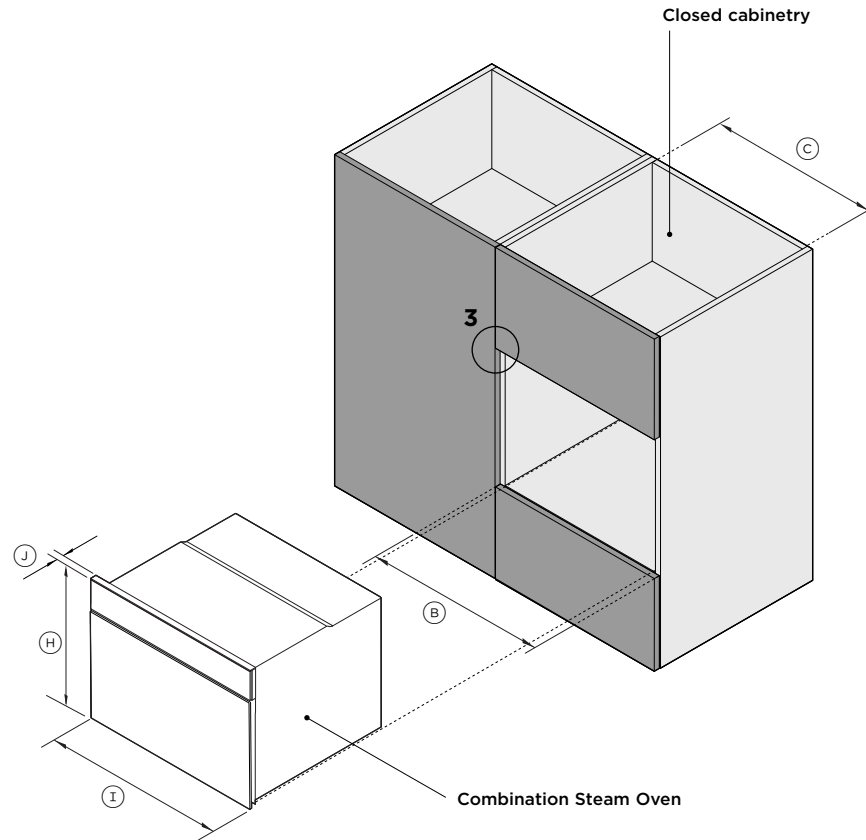
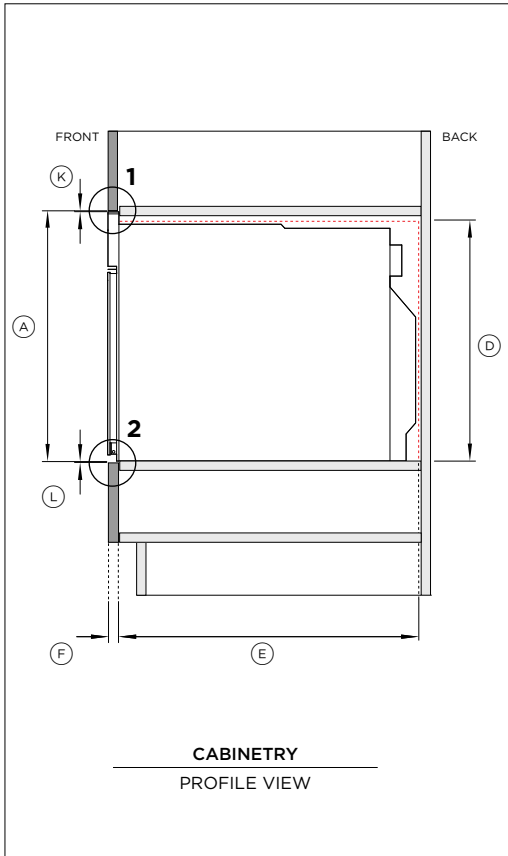
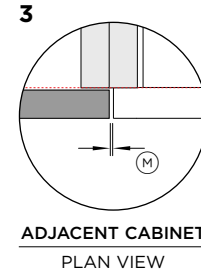
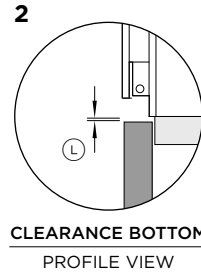
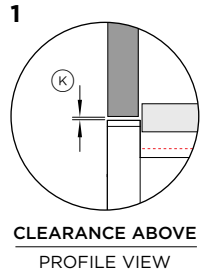
Product Dimensions	mm
Ⓒ Overall height of product	598
Ⓓ Overall width of product	596
Ⓕ Thickness of oven front panel	20

Cabinetry Clearances	mm
Ⓐ Minimum clearances above oven control panel to upper cabinetry front panel	2
ⓧ Minimum clearances between bottom of oven chassis to lower cabinetry front panel	2
Ⓕ Minimum clearance between adjacent front panel or appliance	2

The models shown in this Planning Guide may not be available in all markets and are subject to change at any time. Product specifications may vary from those shown. This Planning Guide should not be used as installation guidance for any product. Further information is required to safely and correctly install the products featured here. Specific installation guidance will be available on our website fisherpaykel.com

COOKTOP CLEARANCE

If installing a cooktop above the oven, ensure adequate clearance is provided for the cooktop as per the cooktop manufacturer's instructions.



Model no:
Combination Steam Oven - OS60NMTNB1, OS60NMTNG1

Cabinetry Dimensions - Flush	mm
Ⓐ Overall cabinet height*	460
Ⓑ Overall cabinet width	600
Ⓒ Minimum inside width of cavity***	560
Ⓓ Minimum inside height of cavity	440
Ⓔ Minimum inside depth of cavity	550
Ⓕ Thickness of cabinetry front panel**	16-20

*Overall cabinet height is overall product height with minimum clearances above oven control panel to upper cabinetry front panel

**Cabinetry shown in drawings 19mm panels. If the front panel is thinner than 20mm a rebate for the Oven is required to achieve a flush finish

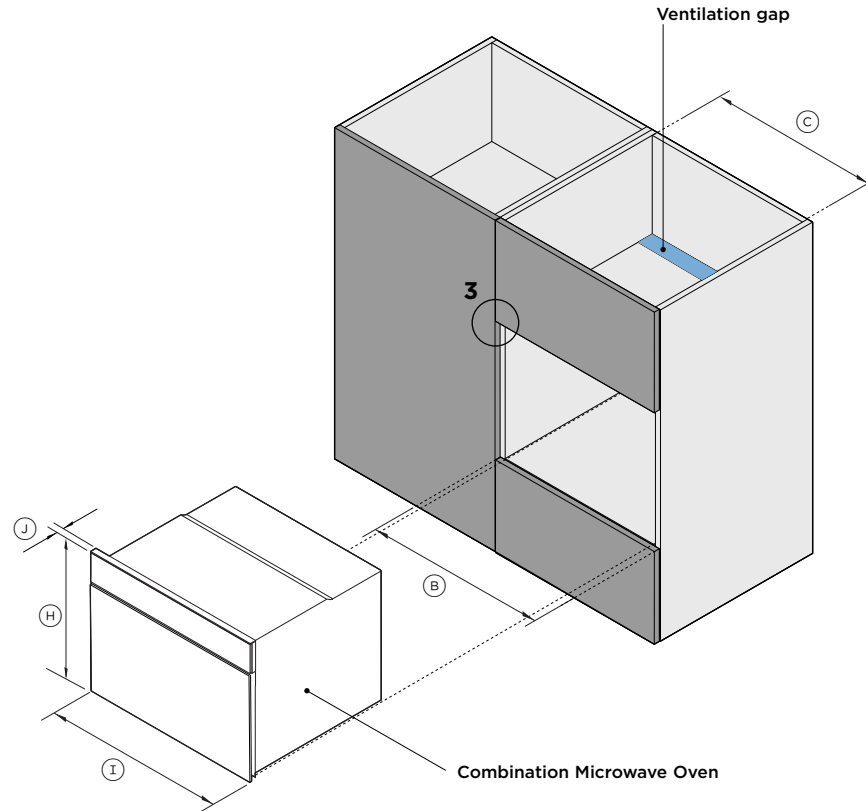
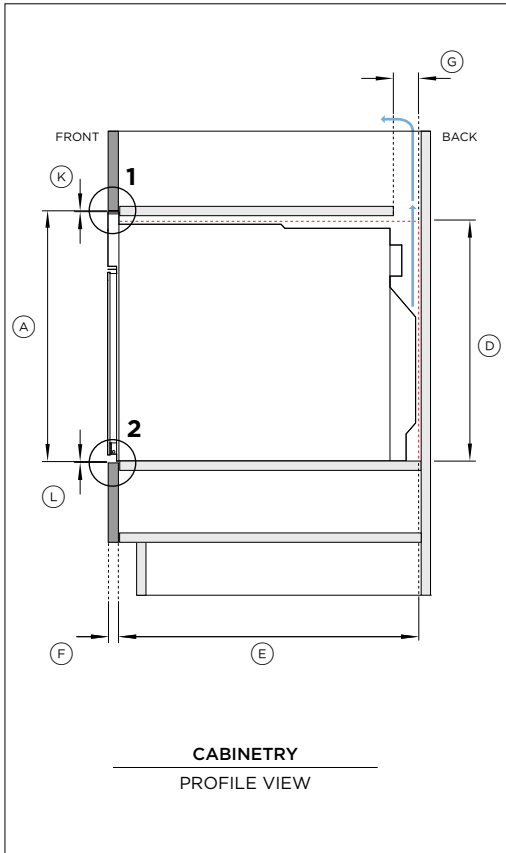
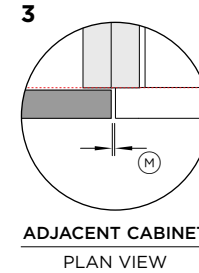
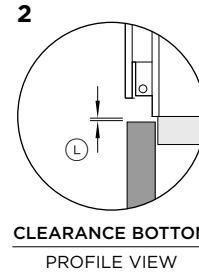
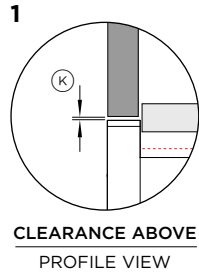
Product Dimensions	mm
Ⓔ Overall height of product	458
Ⓖ Overall width of product	596
Ⓘ Thickness of oven front panel	20

Cabinetry Clearances	mm
Ⓙ Minimum clearances above oven control panel to upper cabinetry front panel	2
Ⓚ Minimum clearances between bottom of oven chassis to lower cabinetry front panel	2
Ⓛ Minimum clearance between adjacent front panel or appliance	2

The models shown in this Planning Guide may not be available in all markets and are subject to change at any time. Product specifications may vary from those shown. This Planning Guide should not be used as installation guidance for any product. Further information is required to safely and correctly install the products featured here. Specific installation guidance will be available on our website fisherpaykel.com

VENTILATION

Ventilation of 50mm x 560mm or totalling 280cm² is required. The air vent must be located at the rear of cabinet, it can be positioned at the base, top, sides, or back.



Model no:
Combination Microwave Oven - OM60NMTNB1, OM60NMTNG1

Cabinetry Dimensions - Flush	mm
Ⓐ Overall cabinet height*	460
Ⓑ Overall cabinet width	600
Ⓒ Minimum inside width of cavity**	560
Ⓓ Minimum inside height of cavity	440
Ⓔ Minimum inside depth of cavity	550
Ⓕ Thickness of cabinetry front panel**	16-20
Ⓖ Ventilation gap***	50

*Overall cabinet height is overall product height with minimum clearances above oven control panel to upper cabinetry front panel

**Cabinetry shown in drawings 19mm panels. If the front panel is thinner than 20mm a rebate for the Oven is required to achieve a flush finish

***Ventilation of 50mm x 560mm or totalling 280cm² is required. The air vent must be located at the rear of cabinet, it can be positioned at the base, top, sides, or back

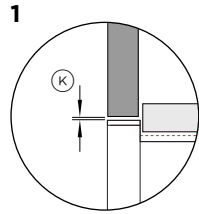
Product Dimensions	mm
Ⓐ Overall height of product	458
Ⓐ Overall width of product	596
Ⓕ Thickness of oven front panel	20

Cabinetry Clearances	mm
Ⓚ Minimum clearances above oven control panel to upper cabinetry front panel	2
Ⓓ Minimum clearances between bottom of oven chassis to lower cabinetry front panel	2
Ⓛ Minimum clearance between adjacent front panel or appliance	2

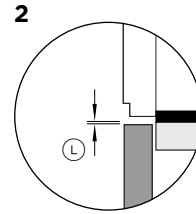
The models shown in this Planning Guide may not be available in all markets and are subject to change at any time. Product specifications may vary from those shown. This Planning Guide should not be used as installation guidance for any product. Further information is required to safely and correctly install the products featured here. Specific installation guidance will be available on our website fisherpaykel.com

VENTILATION

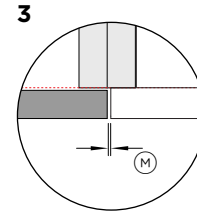
Ventilation of 50mm x 560mm or totalling 280cm² is required. The air vent must be located at the rear of cabinet, it can be positioned at the base, top, sides, or back.



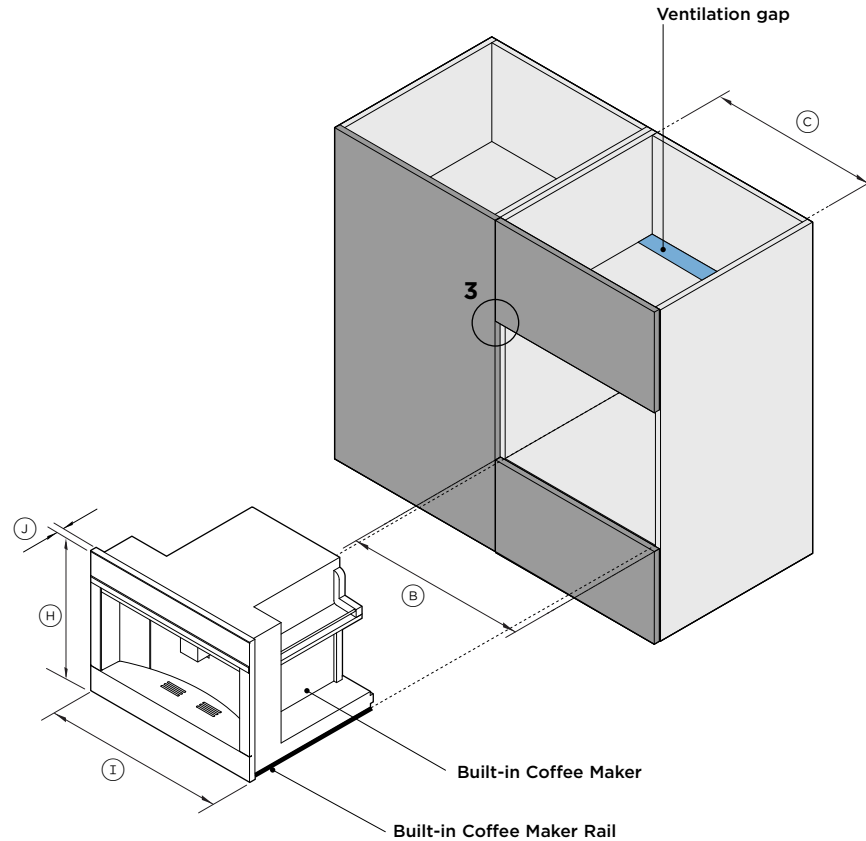
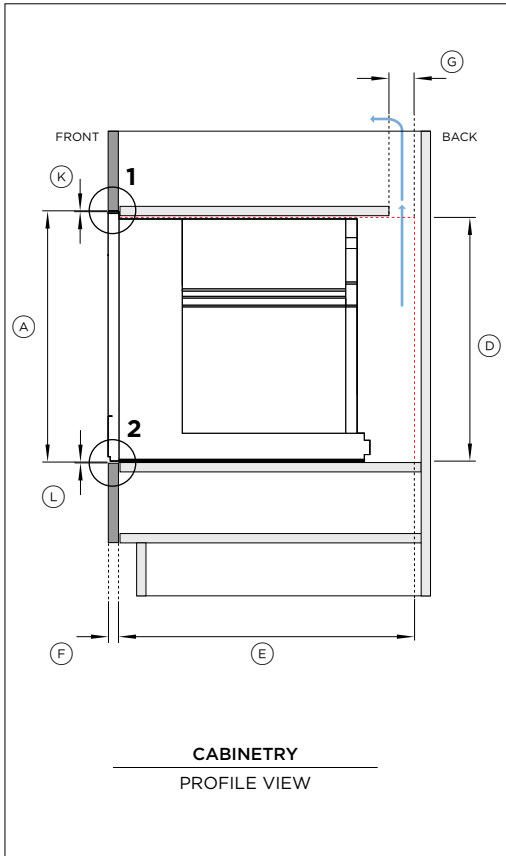
1
CLEARANCE ABOVE
PROFILE VIEW



2
CLEARANCE BOTTOM
PROFILE VIEW



3
ADJACENT CABINET
PLAN VIEW



Model no:

Built-in Coffee Maker - EB60MSB1, EB60MSG1

Cabinetry Dimensions - Flush

	mm
Ⓐ Overall cabinet height*	460
Ⓑ Overall cabinet width	600
Ⓒ Minimum inside width of cavity**	560
Ⓓ Minimum inside height of cavity	450
Ⓔ Minimum inside depth of cavity	545
Ⓕ Thickness of cabinetry front panel**	16-20
Ⓖ Ventilation gap***	50

*Overall cabinet height is overall product height with minimum clearances above coffee maker control panel to upper cabinetry front panel

**Cabinetry shown in drawings 19mm panels. If the front panel is thinner than 20mm a rebate for the coffee maker is required to achieve a flush finish

***Ventilation of 50mm x 560mm or totalling 280cm² is required. The air vent must be located at the rear of cabinet, it can be positioned at the base, top, sides, or back

Product Dimensions

	mm
Ⓐ Overall height of product	458
Ⓐ Overall width of product	596
Ⓕ Thickness of coffee maker control panel	20

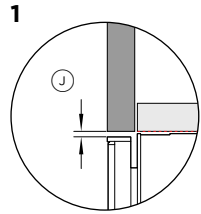
Cabinetry Clearances

	mm
Ⓚ Minimum clearances above coffee maker control panel to upper cabinetry front panel	2
Ⓒ Minimum clearances between bottom of coffee maker rails to lower cabinetry front panel	2
Ⓚ Minimum clearance between adjacent front panel or appliance	2

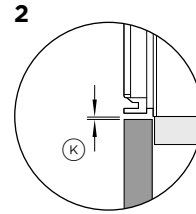
The models shown in this Planning Guide may not be available in all markets and are subject to change at any time. Product specifications may vary from those shown. This Planning Guide should not be used as installation guidance for any product. Further information is required to safely and correctly install the products featured here. Specific installation guidance will be available on our website fisherpaykel.com

NOTE

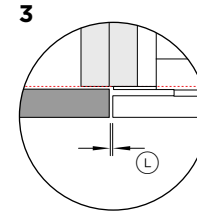
The Warming Drawer can fully support a 60cm Fisher & Paykel oven, without adding a shelf in between.



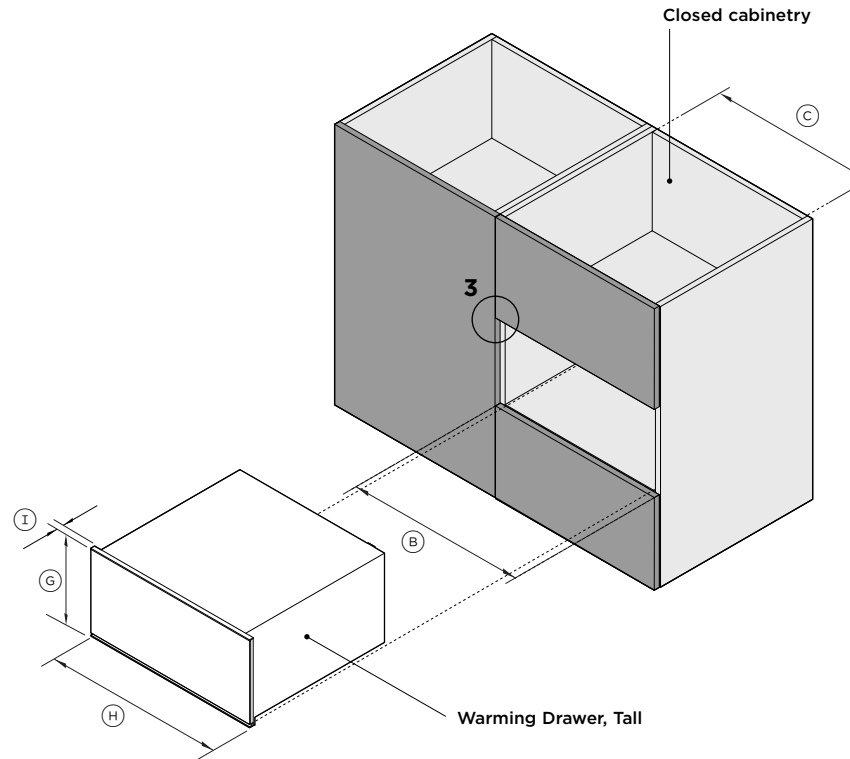
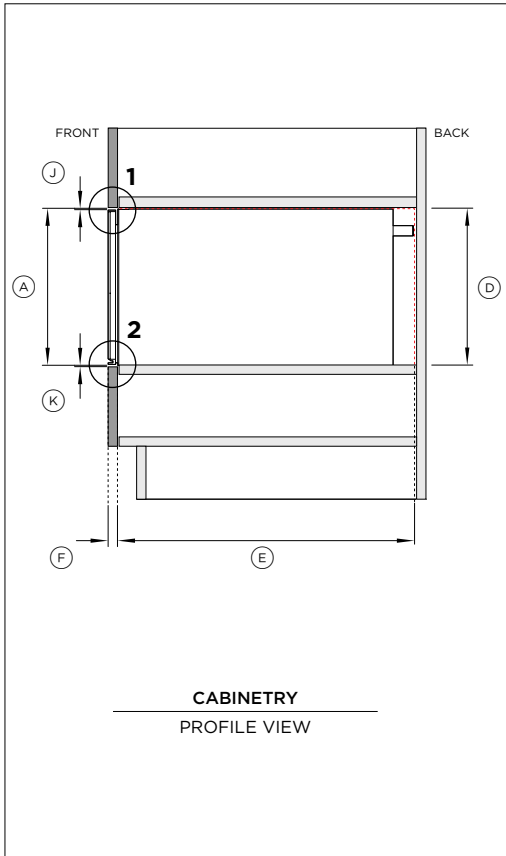
1
CLEARANCE ABOVE
PROFILE VIEW



2
CLEARANCE BOTTOM
PROFILE VIEW



3
ADJACENT CABINET
PLAN VIEW



Model no:

Warming Drawer, Tall - WB60SMTB1-SET

Cabinetry Dimensions - Flush

	mm
Ⓐ Overall cabinet height*	294
Ⓑ Overall cabinet width	600
Ⓒ Minimum inside width of cavity	560
Ⓓ Minimum inside height of cavity	292
Ⓔ Minimum inside depth of cavity	550
Ⓕ Thickness of cabinetry front panel**	16-20

*Overall cabinet height is overall product height with minimum clearances above drawer front panel to upper cabinetry front panel

**Cabinetry shown in drawings 19mm panels. If the front panel is thinner than 20mm a rebate for the warming drawer is required to achieve a flush finish

Product Dimensions

	mm
Ⓐ Overall height of product	290
Ⓑ Overall width of product	596
Ⓕ Thickness of warming drawer front panel and flange	20

Cabinetry Clearances

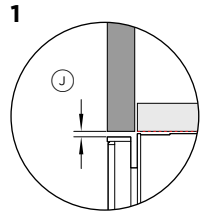
	mm
Ⓐ Minimum clearances above drawer front panel to upper cabinetry front panel*	4
Ⓑ Minimum clearances between bottom of drawer chassis to lower cabinetry front panel	2
Ⓒ Minimum clearance between adjacent front panel or appliance	2

*Achieve a smaller gap between drawer front panel to upper cabinetry front panel by dropping cabinetry front panel down

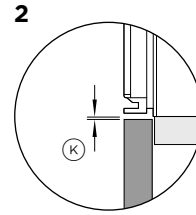
The models shown in this Planning Guide may not be available in all markets and are subject to change at any time. Product specifications may vary from those shown. This Planning Guide should not be used as installation guidance for any product. Further information is required to safely and correctly install the products featured here. Specific installation guidance will be available on our website fisherpaykel.com

NOTE

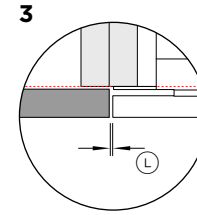
The Warming Drawer can fully support a 60cm Fisher & Paykel oven, without adding a shelf in between.



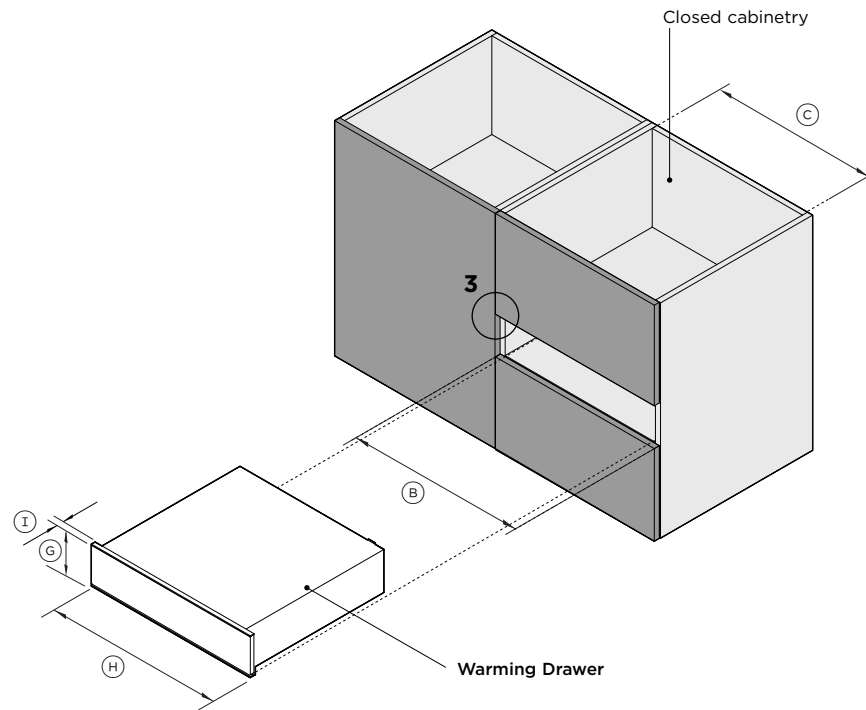
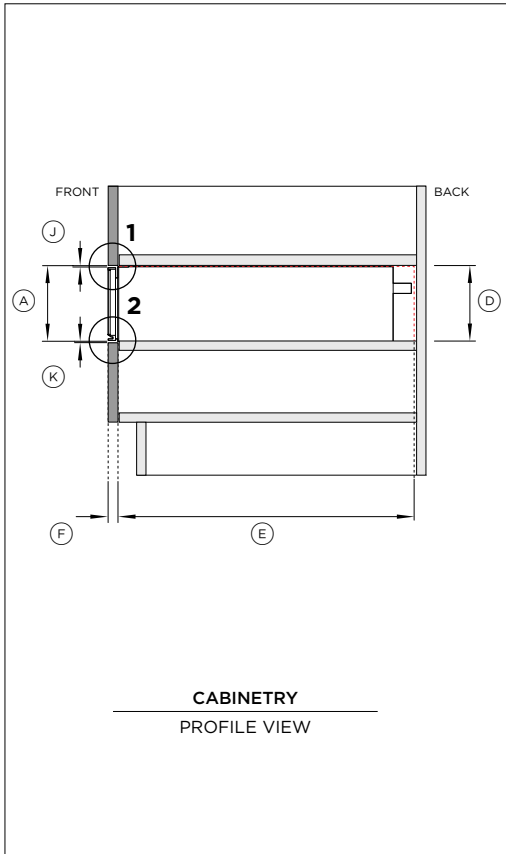
1
CLEARANCE ABOVE
PROFILE VIEW



2
CLEARANCE BOTTOM
PROFILE VIEW



3
ADJACENT CABINET
PLAN VIEW



Model no:

Warming Drawer - WB60SMB1-SET, WB60SMG1-SET

Cabinetry Dimensions - Flush

	mm
Ⓐ Overall cabinet height*	144
Ⓑ Overall cabinet width	600
Ⓒ Minimum inside width of cavity	560
Ⓓ Minimum inside height of cavity	142
Ⓔ Minimum inside depth of cavity	550
Ⓕ Thickness of cabinetry front panel**	16-20

*Overall cabinet height is overall product height with minimum clearances above drawer front panel to upper cabinetry front panel

**Cabinetry shown in drawings 19mm panels. If the front panel is thinner than 20mm a rebate for the warming drawer is required to achieve a flush finish

Product Dimensions

	mm
Ⓐ Overall height of product	140
Ⓑ Overall width of product	596
Ⓘ Thickness of warming drawer front panel and flange	20

Cabinetry Clearances

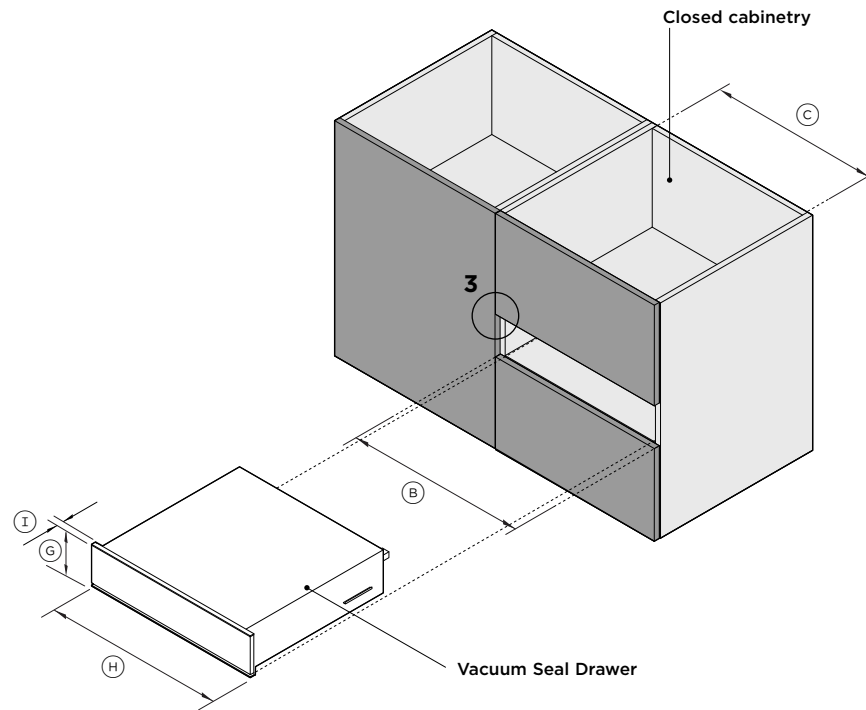
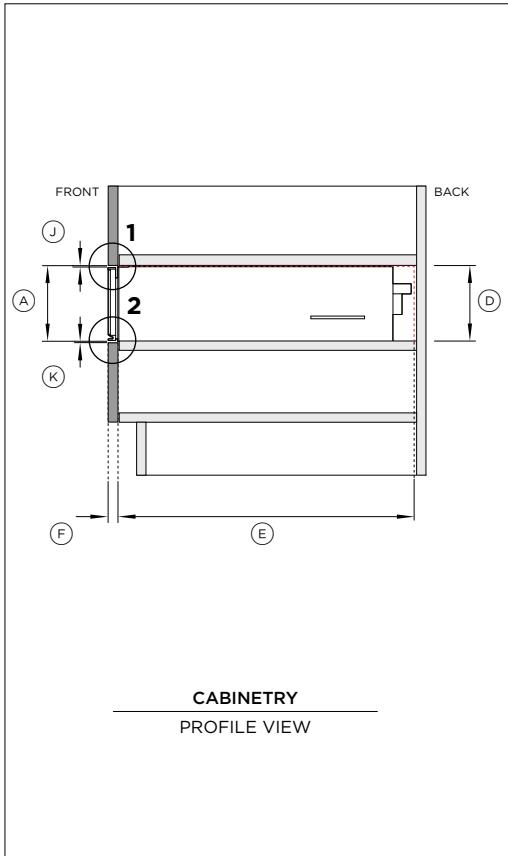
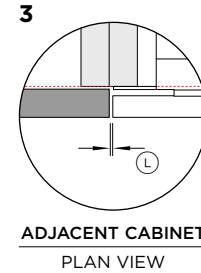
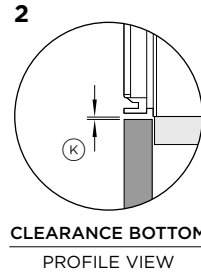
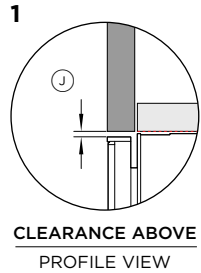
	mm
Ⓐ Minimum clearances above drawer front panel to upper cabinetry front panel*	4
Ⓚ Minimum clearances between bottom of drawer chassis to lower cabinetry front panel	2
Ⓛ Minimum clearance between adjacent front panel or appliance	2

*Achieve a smaller gap between drawer front panel to upper cabinetry front panel by dropping cabinetry front panel down

The models shown in this Planning Guide may not be available in all markets and are subject to change at any time. Product specifications may vary from those shown. This Planning Guide should not be used as installation guidance for any product. Further information is required to safely and correctly install the products featured here. Specific installation guidance will be available on our website fisherpaykel.com

NOTE

The Vacuum Seal Drawer can fully support a 60cm Fisher & Paykel oven, without adding a shelf in between.



Model no:

Vacuum Seal Drawer - VB60SMB1-SET, VB60SMG1-SET

Cabinetry Dimensions - Flush	mm
Ⓐ Overall cabinet height*	144
Ⓑ Overall cabinet width	600
Ⓒ Minimum inside width of cavity	560
Ⓓ Minimum inside height of cavity	142
Ⓔ Minimum inside depth of cavity	550
Ⓕ Thickness of cabinetry front panel**	16-20

*Overall cabinet height is overall product height with minimum clearances above drawer front panel to upper cabinetry front panel

**Cabinetry shown in drawings 19mm panels. If the front panel is thinner than 20mm a rebate for the vacuum seal drawer is required to achieve a flush finish

Product Dimensions	mm
Ⓐ Overall height of product	140
Ⓑ Overall width of product	596
Ⓘ Thickness of vacuum seal drawer front panel and flange	20

Cabinetry Clearances	mm
Ⓐ Minimum clearances above drawer front panel to upper cabinetry front panel*	4
Ⓑ Minimum clearances between bottom of drawer chassis to lower cabinetry front panel	2
Ⓒ Minimum clearance between adjacent front panel or appliance	2

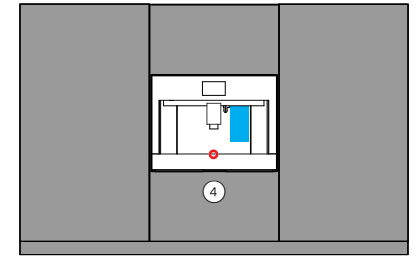
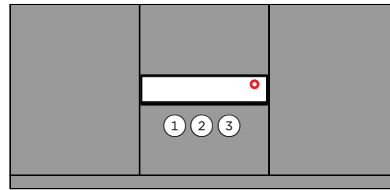
*Achieve a smaller gap between drawer front panel to upper cabinetry front panel by dropping cabinetry front panel down

The models shown in this Planning Guide may not be available in all markets and are subject to change at any time. Product specifications may vary from those shown. This Planning Guide should not be used as installation guidance for any product. Further information is required to safely and correctly install the products featured here. Specific installation guidance will be available on our website fisherpaykel.com

SERVICES

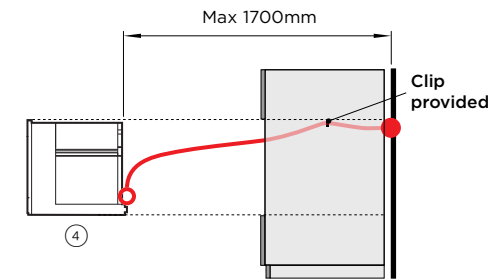
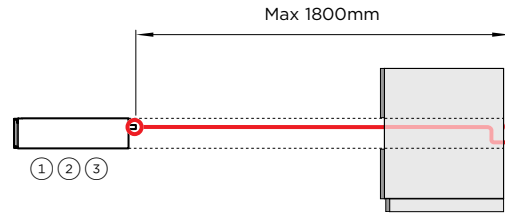
CONNECTION



Connections may be located in an adjacent cabinet to either side of the appliance. Ensure power will remain accessible following install to allow access for any future product maintenance.



BUILT-IN COFFEE MAKER

The power cable must be long enough to allow the appliance to be extracted from the cabinet to fill the coffee bean container. Fix the power cable with the clip.



-  Power Cable
-  Water Tank

① **VACUUM SEAL DRAWER**
VB60SMB1-SET
VB60SMG1-SET

② **WARMING DRAWER**
WB60SMB1-SET
WB60SMG1-SET

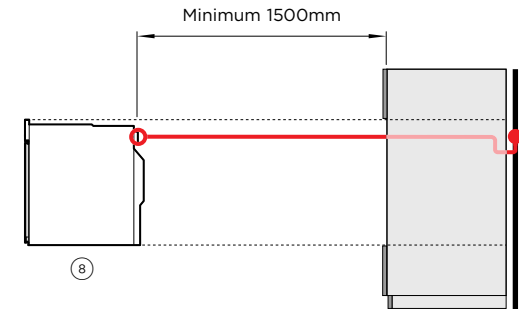
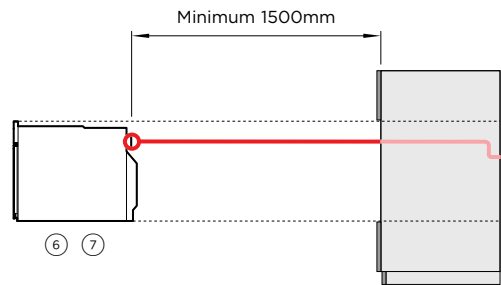
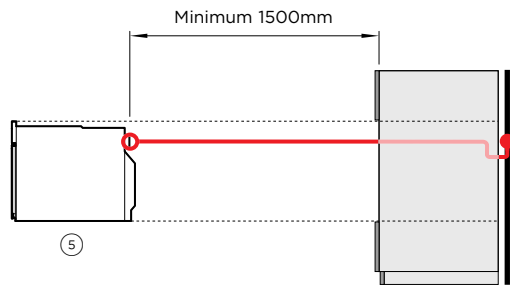
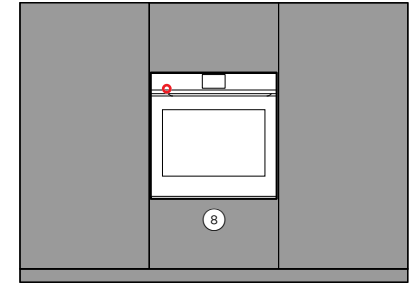
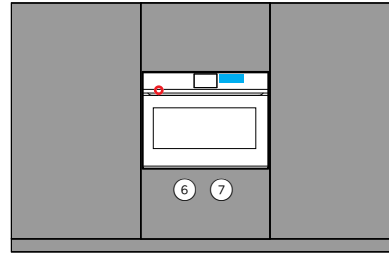
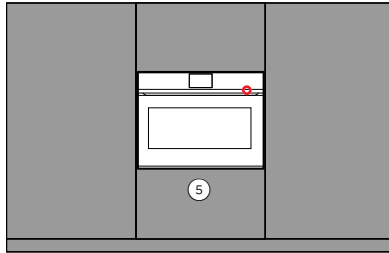
③ **WARMING DRAWER TALL**
WB60SMTB1-SET

④ **BUILT-IN COFFEE MAKER**
EB60MSB1
EB60MSG1

	① VACUUM SEAL DRAWER VB60SMB1-SET VB60SMG1-SET	② WARMING DRAWER WB60SMB1-SET WB60SMG1-SET	③ WARMING DRAWER TALL WB60SMTB1-SET	④ BUILT-IN COFFEE MAKER EB60MSB1 EB60MSG1
POWER CORD				
Maximum power cord length*	1800mm	1800mm	1800mm	1700mm
Location	Upper right	Upper right	Upper right	Lower centered
Connection	Flex cord	Flex cord	Flex cord	Flex cord
*Measured from power outlet				
WATER				
Total Capacity	-	-	-	2.4L
Location	-	-	-	Water tank (internal)
ELECTRICAL				
Supply	220-240 V, 50 Hz	220-240 V, 50 Hz	220-240 V, 50 Hz	220-240 V, 50 Hz
Service	10 A	10 A	10 A	20 A

Note: Multiple product installation requires the design of power outlets according to local regulations.

The models shown in this Planning Guide may not be available in all markets and are subject to change at any time. Product specifications may vary from those shown. This Planning Guide should not be used as installation guidance for any product. Further information is required to safely and correctly install the products featured here. Specific installation guidance will be available on our website fisherpaykel.com



- Power Cable
- Water Tank

5 COMBINATION MICROWAVE OVEN
OM60NMTNB1
OM60NMTNG1

6 COMBINATION STEAM OVEN
OS60NMTNB1
OS60NMTNG1

7 COMBINATION STEAM OVEN
OS60SMTNB1
OS60SMTNG1

8 OVEN
OB60SMPTNB1
OB60SMPTNG1

POWER CORD

Power cord free length	Minimum 1500mm*	Minimum 1500mm*	Minimum 1500mm*	Minimum 1500mm*
Location	Upper right	Upper left	Upper left	Upper left
Connection	Hard wire**	Hard wire**	Hard wire**	Hard wire**

*The electrician provides sufficient free length of power supply cable to reach from the bottom rear of the cavity to at least 1.5m in front of the bottom edge of the opening

**For more information, refer to the Installation Guide. Ensure power will remain accessible following install to allow access for any future product maintenance.

WATER

Total Capacity	-	1.4L	1.4L	-
Location	-	Water tank (internal)	Water tank (internal)	-

ELECTRICAL

Supply	220-240 V, 50 Hz	220-240 V, 50 Hz	220-240 V, 50 Hz	220-240 V, 50 Hz
Service	20 A	20 A	20 A	20 A

Note: Multiple product installation requires the design of power outlets according to local regulations.

The models shown in this Planning Guide may not be available in all markets and are subject to change at any time. Product specifications may vary from those shown. This Planning Guide should not be used as installation guidance for any product. Further information is required to safely and correctly install the products featured here. Specific installation guidance will be available on our website fisherpaykel.com

