

**60CM OVENS AND COMPANIONS MINIMAL**

---

# PLANNING GUIDE

---

**OVEN** | OB60SMPTDB1, OB60SMPTDG1

**STEAM OVEN** | OS60SMTDB1, OS60SMTDG1, OS60NMTDB1, OS60NMTDG1

**COMBINATION MICROWAVE OVEN** | OM60NMTDB1, OM60NMTDG1

**BUILT-IN COFFEE MAKER** | EB60MSB1, EB60MSG1

**WARMING DRAWER** | WB60SMB1-SET, WB60SMG1-SET, WB60SMTB1-SET

**VACUUM SEAL DRAWER** | VB60SMB1-SET, VB60SMG1-SET

**FISHER & PAYKEL**

This comprehensive Planning Guide provides you with the framework and tools to achieve your desired design outcome with Fisher & Paykel appliances. In this guide, you will find a range of conceptual, detailed and dimensional product information to bring your ideas to life and create spaces that truly reflect your vision.

**CONTENTS**

| CONCEPT DESIGN                          |           | DEVELOPED AND DETAILED DESIGN |           |   |           |
|---|-----------|-------------------------------|-----------|---|-----------|
|   | PAGE      |                               | PAGE      | PAGE  |           |
| <b>Design Choices</b>                   |           | <b>Data Sheets</b>            |           | <b>Planning Considerations</b>              |           |
| Ovens and Companions - ALL MODELS       | <b>4</b>  | Oven                          | <b>19</b> | Cabinetry Preparation - ALL MODELS          | <b>28</b> |
| Configurations - ALL MODELS             | <b>5</b>  | Combination Steam Oven        | <b>20</b> | Configurations - ALL MODELS                 | <b>29</b> |
| Overview - ALL MODELS                   | <b>6</b>  | Combination Steam Oven        | <b>21</b> | Oven  | <b>30</b> |
|   |           | Combination Microwave Oven    | <b>22</b> | Combination Steam Oven                      | <b>31</b> |
| <b>Specification Guides</b>             |           | Built-in Coffee Maker         | <b>23</b> | Combination Steam Oven                      | <b>32</b> |
| Oven                                    | <b>8</b>  | Warming Drawer, Tall          | <b>24</b> | Combination Microwave Oven                  | <b>33</b> |
| Combination Steam Oven                  | <b>9</b>  | Warming Drawer                | <b>25</b> | Built-in Coffee Maker                       | <b>34</b> |
| Combination Steam Oven                  | <b>10</b> | Vacuum Seal Drawer            | <b>26</b> | Warming Drawer, Tall                        | <b>35</b> |
| Combination Microwave Oven              | <b>11</b> |                               |           | Warming Drawer                              | <b>36</b> |
| Built-in Coffee Maker                   | <b>12</b> |                               |           | Vacuum Seal Drawer                          | <b>37</b> |
| Warming Drawer, Tall                    | <b>13</b> |                               |           |   |           |
| Warming Drawer                          | <b>14</b> |                               |           | <b>Services</b>                             |           |
| Vacuum Seal Drawer                      | <b>15</b> |                               |           | Power Cord Length and Location - COMPANIONS | <b>39</b> |
| Dimensions - ALL MODELS                 | <b>16</b> |                               |           | Power Cord Length and Location - OVENS      | <b>40</b> |
| Power, Weight and Capacity - ALL MODELS | <b>17</b> |                               |           |   |           |

The models shown in this Planning Guide may not be available in all markets and are subject to change at any time. Product specifications may vary from those shown. This Planning Guide should not be used as installation guidance for any product. Further information is required to safely and correctly install the products featured here. Specific installation guidance will be available on our website [fisherpaykel.com](http://fisherpaykel.com)

## DESIGN CHOICES

OVENS

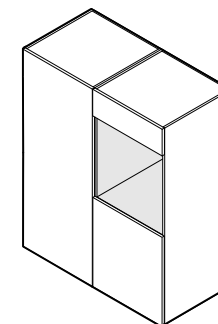
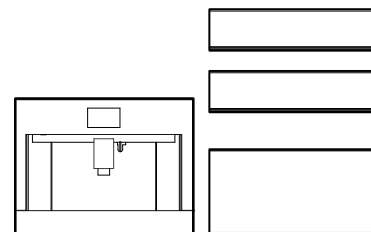
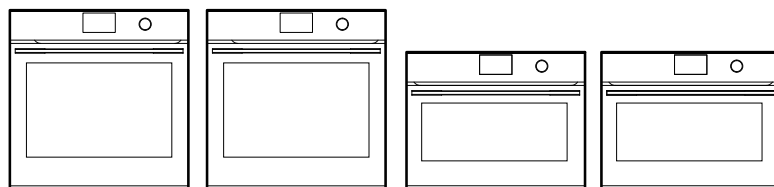
STEAM

MICROWAVES

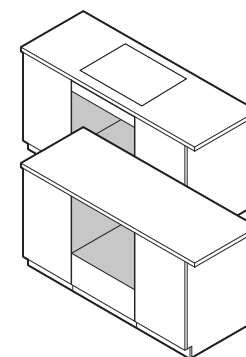
COFFEE MAKER

DRAWERS

INSTALLATION OPTIONS



Installation in wall



Installation under-bench

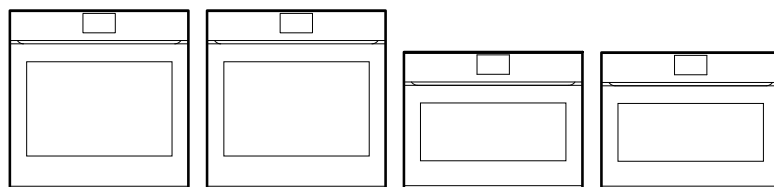
COLOUR



Grey Glass    Black Glass

DIAL AND HANDLE FAMILY

HANDLELESS FAMILY

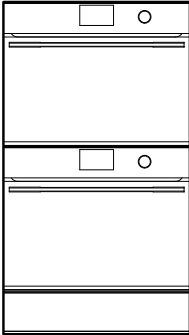


\*Note: Warming Drawer Tall only available in Black Glass finish

The models shown in this Planning Guide may not be available in all markets and are subject to change at any time. Product specifications may vary from those shown. This Planning Guide should not be used as installation guidance for any product. Further information is required to safely and correctly install the products featured here. Specific installation guidance will be available on our website [fisherpaykel.com](http://fisherpaykel.com)

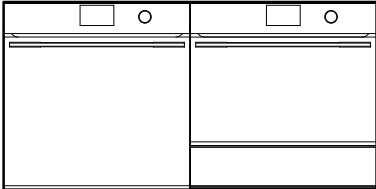
**STACKED INSTALLATION**

Stack Height  
1060mm



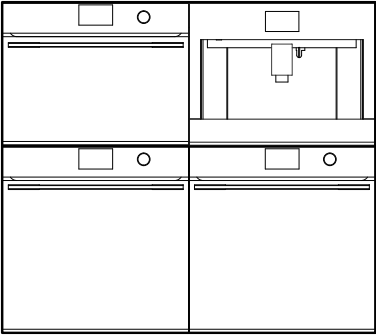
**ROW INSTALLATION**

Stack Height  
600mm

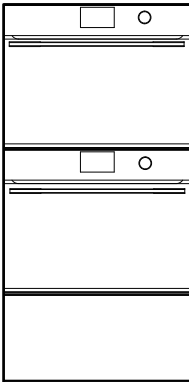


**GRID INSTALLATION**

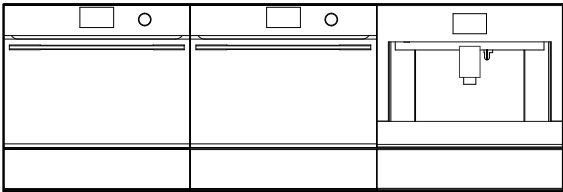
Stack Height  
1060mm



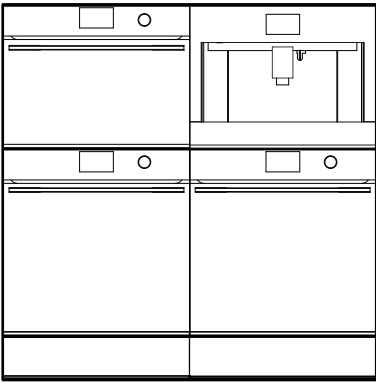
Stack Height  
1210mm



Stack Height  
600mm



Stack Height  
1200mm




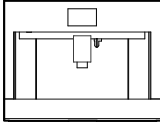
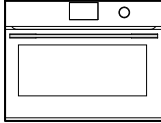

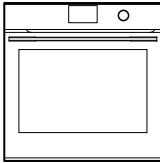
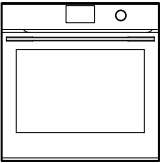

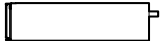
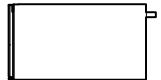
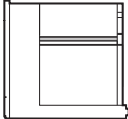


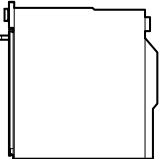
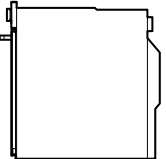
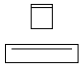
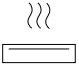
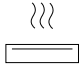
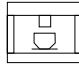
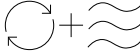
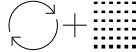
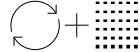



**CONSIDERATIONS**

Different configurations possible, considerations are height, colour, dial and handle or handleless.

Note: Stack Height is overall product height with minimum clearances above appliance front panel to upper cabinetry front panel or appliance.

The models shown in this Planning Guide may not be available in all markets and are subject to change at any time. Product specifications may vary from those shown. This Planning Guide should not be used as installation guidance for any product. Further information is required to safely and correctly install the products featured here. Specific installation guidance will be available on our website [fisherpaykel.com](http://fisherpaykel.com)

|                            |  |  |  |  |  |  |  |  |
|----------------------------|---|---|---|---|---|---|---|---|
| FRONT ELEVATION            |   |   |   |   |   |   |   |   |
| SIDE ELEVATION             |  |  |  |  |  |  |  |  |
|                            |  |  |  |  |  |  |  |  |
|                            | VACUUM SEAL DRAWER  | WARMING DRAWER  | WARMING DRAWER TALL   | BUILT-IN COFFEE MAKER   | COMBINATION MICROWAVE OVEN  | COMBINATION STEAM OVEN  | COMBINATION STEAM OVEN  | OVEN  |
| Series                     | Series 9  | Series 9  | Series 9  | Series 9  | Series 9  | Series 9  | Series 11   | Series 9  |
| Model Codes<br>Black Glass | VB60SMB1-SET  | WB60SMB1-SET  | WB60SMTB1-SET   | EB60MSB1  | OM60NMTDB1  | OS60NMTDB1  | OS60SMTDB1  | OB60SMPTDB1   |
| Model Codes<br>Grey Glass  | VB60SMG1-SET  | WB60SMG1-SET  | -   | EB60MSG1  | OM60NMTDGI  | OS60NMTDGI  | OS60SMTDGI  | OB60SMPTDGI   |
| Interface                  | -   | -   | -   | 4.3" Touchscreen  | 5" Touchscreen  | 5" Touchscreen  | 5" Touchscreen  | 5" Touchscreen  |
| Overall Product Heights    | 140mm   | 140mm   | 290mm   | 458mm   | 458mm   | 458mm   | 598mm   | 598mm   |
| Front Panel Thickness      | 20mm  | 20mm  | 20mm  | 20mm  | 20mm  | 20mm  | 20mm  | 20mm  |

The models shown in this Planning Guide may not be available in all markets and are subject to change at any time. Product specifications may vary from those shown. This Planning Guide should not be used as installation guidance for any product. Further information is required to safely and correctly install the products featured here. Specific installation guidance will be available on our website [fisherpaykel.com](http://fisherpaykel.com)

## SPECIFICATION GUIDE



OB60SMPTDB1



OB60SMPTDG1

**OVERVIEW**

Designed to fit seamlessly into any kitchen with Minimal styling, this 60cm oven features a generous 85L total capacity. Achieve perfect results with 16 oven functions, plus a Wireless Temperature Sensor\* for monitoring cooking in real time. Beautiful to use, the large 5” touchscreen interface features simple and intuitive guided cooking, while Pyrolytic self-cleaning breaks down grime and grease, to keep the oven pristine for the next use.

\*sold separately

**PRODUCTS**

**OB60SMPTDB1** - Black Glass  
Oven, 60cm, 16 Function, Self-cleaning

**OB60SMPTDG1** - Grey Glass  
Oven, 60cm, 16 Function, Self-cleaning

**SERIES & STYLE**

Series 9  
Minimal

**ACCESSORIES**

- ① Full Extension Sliding Shelf
- ② Grill Rack
- ③ Smokeless Grill Tray
- ④ Roasting Dish
- ⑤ Step Down Wire Shelf

**FEATURES**

- ① Minimal style, designed to fit flush with cabinetry
- ② Generous 85L total capacity with six shelf positions
- ③ Intuitive, large 5” touchscreen display with illuminated dial
- ④ 16 oven functions including Air fry, Fan Bake, and Roast
- ⑤ Pyrolytic self-cleaning function breaks down food residue for an easy clean
- ⑥ Includes a Wired Temperature Sensor for real-time monitoring of cooking temperatures
- ⑦ Guided touchscreen cooking makes it simple to cook by food, function or recipe
- ⑧ Moisture control and even heat distribution thanks to ActiveVent and AeroTech™ technology
- ⑨ Automatic rapid pre-heat function for added convenience
- ⑩ Soft open and close door
- ⑪ Wi-Fi/Connected capability through the SmartHQ™ app

**ACCESSORIES**

- ⑤ Wired Temperature Sensor
- ⑥ Flat Brushed Baking Tray
- ⑦ Pyrolytic Proof Shelf Runners

The models shown in this Planning Guide may not be available in all markets and are subject to change at any time. Product specifications may vary from those shown. This Planning Guide should not be used as installation guidance for any product. Further information is required to safely and correctly install the products featured here. Specific installation guidance will be available on our website [fisherpaykel.com](http://fisherpaykel.com)





OS60SMTDB1



OS60SMTDG1

**OVERVIEW**

Experience the precise control, repeatability and certainty of steam with our flagship Combination Steam Oven. Harnessing all the advantages of AeroTech™ technology, the oven features 23 functions, including steam-only, convection-only, or a combination of both. A Wireless Temperature Sensor\* precisely monitors food in real time, while the intuitive interface and dial offer simple guided cooking, helping to ensure perfect results.

\*sold separately

**PRODUCTS**

**OS60SMTDB1** - Black Glass  
Combination Steam Oven, 60cm, 23 Function

**OS60SMTDG1** - Grey Glass  
Combination Steam Oven, 60cm, 23 Function

**SERIES & STYLE**

Series 11  
Minimal

**ACCESSORIES**

- ① Chromed Shelf Runners
- ② 2x Descale Solutions
- ③ Flat Brushed Baking Tray
- ④ 2x Full Extension Sliding Shelves
- ⑤ Grill Rack
- ⑥ Large Steam Dish

**FEATURES**

- ① Minimal style, designed to fit flush with cabinetry
- ② Generous 85L total capacity with six shelf positions
- ③ Intuitive, large 5" touchscreen display with illuminated dial
- ④ 23 oven functions including six steam-only functions
- ⑤ Moisture control and even heat distribution thanks to ActiveVent and AeroTech™ technology
- ⑥ Guided touchscreen cooking makes it simple to cook by food, function or recipe
- ⑦ Includes a Wired Temperature Sensor for real-time monitoring of cooking temperatures
- ⑧ Water tank capacity of 1.5L
- ⑨ Wi-Fi/Connected capability through the SmartHQ™ app

**ACCESSORIES**

- ⑦ Step Down Wire Shelf
- ⑧ Large Perforated Steam Dish
- ⑨ Small Perforated Steam Dish
- ⑩ Roasting Dish
- ⑪ Smokeless Grill Tray
- ⑫ Wired Temperature Sensor

The models shown in this Planning Guide may not be available in all markets and are subject to change at any time. Product specifications may vary from those shown. This Planning Guide should not be used as installation guidance for any product. Further information is required to safely and correctly install the products featured here. Specific installation guidance will be available on our website [fisherpaykel.com](http://fisherpaykel.com)

**OVERVIEW**

With timeless Minimal styling, the compact Combination Steam Oven is designed to fit seamlessly into any kitchen. It features 23 functions, including steam-only, convection-only, or a combination of both. Reduce the need for oils and fats with six standalone steam functions, perfect for creating flavourful and healthy restaurant-quality meals at home. Beautiful to use, the large 5" touchscreen interface has simple and intuitive guided cooking, helping to ensure perfect results.

**PRODUCTS**

**OS60NMTDB1** - Black Glass  
Combination Steam Oven, 60cm, 23 Function

**OS60NMTDG1** - Grey Glass  
Combination Steam Oven, 60cm, 23 Function

**SERIES & STYLE**

Series 9  
Minimal

**FEATURES**

- ① Minimal style, designed to fit flush with cabinetry
- ② 55L total capacity
- ③ Intuitive, large 5" touchscreen display with illuminated dial
- ④ 23 oven functions, including six steam-only functions
- ⑤ Includes a Wired Temperature Sensor for real-time monitoring of cooking temperatures
- ⑥ Guided touchscreen cooking makes it simple to cook by food, function or recipe
- ⑦ Moisture control and even heat distribution thanks to ActiveVent and AeroTech™ technology
- ⑧ Motorised control panel reveals large 1.5L water tank
- ⑨ Wi-Fi/Connected capability through the SmartHQ™ app

**ACCESSORIES**

- ① Chromed Shelf Runners
- ② Full Extension Sliding Shelf
- ③ 2x Descale Solutions
- ④ Flat Brushed Baking Tray
- ⑤ Grill Rack
- ⑥ Large Steam Dish
- ⑦ Wire Shelf
- ⑧ Large Perforated Steam Dish
- ⑨ Small Perforated Steam Dish
- ⑩ Roasting Dish
- ⑪ Wired Temperature Sensor



OS60NMTDB1



OS60NMTDG1, paired with Warming Drawer WB60SMGI-SET

The models shown in this Planning Guide may not be available in all markets and are subject to change at any time. Product specifications may vary from those shown. This Planning Guide should not be used as installation guidance for any product. Further information is required to safely and correctly install the products featured here. Specific installation guidance will be available on our website [fisherpaykel.com](https://fisherpaykel.com)



OM60NMTDB1



OM60NMTDG1

## OVERVIEW

With timeless Minimal styling, the Combination Microwave Oven is designed to fit seamlessly into any kitchen. A flexible appliance that pairs the speed of microwave cooking with oven technology, which can crisp and brown as it cooks. Featuring 22 cooking functions on an intuitive touch display for easy programming of desired cooking mode and duration. A Wired Temperature Sensor monitors cooking in real time for complete control.

## PRODUCTS

**OM60NMTDB1** - Black Glass  
Combination Microwave Oven, 60cm, 22 Function

**OM60NMTDG1** - Grey Glass  
Combination Microwave Oven, 60cm, 22 Function

## SERIES & STYLE

Series 9  
Minimal

## ACCESSORIES

- ① Chromed Shelf Runners
- ② Glass Tray
- ③ Step Down Wire Shelf
- ④ Wire Shelf
- ⑤ Wired Temperature Sensor
- ⑥ Grill Rack

## FEATURES

- ① Minimal style, designed to fit flush with cabinetry
- ② Compact size for smaller kitchens, and generous 49L capacity with 4 shelf positions to cook for everyday's needs
- ③ Intuitive, large 5" touchscreen display with illuminated dial
- ④ The benefits of both microwave and convection oven cooking in one
- ⑤ 22 cooking functions, including 14 traditional convection functions, 4 microwave-only functions, and 4 microwave combination functions
- ⑥ Guided touchscreen cooking makes it simple to cook by food and function
- ⑦ Includes a Wired Temperature Sensor for real-time monitoring of cooking temperatures
- ⑧ Inverter technology for fast and even heating, and quiet product operation
- ⑨ Wi-Fi/Connected capability through the SmartHQ™ app

The models shown in this Planning Guide may not be available in all markets and are subject to change at any time. Product specifications may vary from those shown. This Planning Guide should not be used as installation guidance for any product. Further information is required to safely and correctly install the products featured here. Specific installation guidance will be available on our website [fisherpaykel.com](https://fisherpaykel.com)



Built-in Coffee Maker EB60MSB1, paired with Warming Drawer WB60SMB1-SET



Built-in Coffee Maker EB60MSG1, paired with Warming Drawer WB60SMG1-SET

## OVERVIEW

The Built-in Coffee Maker features a stylish finish and can be installed in multiple configurations to suit kitchen design and preference. With 13 beverage options, our Coffee Maker is designed to consistently pour delicious coffee – from Flat White to Latte or Americano. Favourite coffee styles are memorised for a fast brew with the push of a button. A programmable timer turns the Coffee Maker on at the ideal time each day, while the conical burr grinder delivers a consistent grind for a perfect coffee.

## PRODUCTS

**EB60MSB1** - Black Glass  
Built-in Coffee Maker, 60cm

**EB60MSG1** - Grey Glass  
Built-in Coffee Maker, 60cm

## ACCESSORIES

- ① Thermal milk jug (0.5L)
- ② Water filter
- ③ Coffee spoon
- ④ Extractable steam outlet
- ⑤ Descaling agent bottle
- ⑥ Telescopic runners

## FEATURES

- ① Designed to pair perfectly with 60cm ovens and companion products
- ② Install in multiple configurations to suit your kitchen design
- ③ Intuitive touch display
- ④ 13 functions to suit any taste and selection – from Espresso to Latte
- ⑤ Programmable timer turns on the Coffee Maker at the ideal time each day
- ⑥ Favourite coffee types are memorised and stored in custom profiles
- ⑦ Stainless steel conical burr grinder with 13 coarseness positions
- ⑧ 15 bar pump pressure
- ⑩ Self-cleaning function and easy to empty coffee grounds container and drip tray
- ⑪ 2.4L water tank capacity

## SERIES & STYLE

Series 9  
Minimal

The models shown in this Planning Guide may not be available in all markets and are subject to change at any time. Product specifications may vary from those shown. This Planning Guide should not be used as installation guidance for any product. Further information is required to safely and correctly install the products featured here. Specific installation guidance will be available on our website [fisherpaykel.com](https://fisherpaykel.com)



Warming Drawer WB60SMTB1-SET, paired with Steam Oven OS60NMTDB1

## OVERVIEW

Designed to complement our Minimal style ovens, these warming drawers are handle-free, and push-to-open for a coherent, considered look. Beautiful to use, with capacitive touch controls and six tailored functions for warming, proofing, dehydrating and slow cook. Pair with other companion products to create a kitchen suite for every need.

## PRODUCTS

**WB60SMTB1-SET** - Black Glass  
Warming Drawer, 60cm, Tall, Panel Ready\*

\*This model comes with an accessory door panel, and is not suitable for use with a custom door panel

## SERIES & STYLE

Series 9  
Minimal

## FEATURES

- ① Seamless pairing with our Minimal style ovens and other companion products
- ② Push-to-open drawer
- ③ Easy-to-use capacitive touch controls
- ④ Automatic timing and switch-off functionality
- ⑤ Easy-to-clean, smooth-glass base
- ⑥ Room for 16 standard-sized place settings
- ⑦ Versatile with six tailored programmes for warming, proofing, dehydrating and slow cook

## ACCESSORIES

- ① Accessory rack for optimising space

The models shown in this Planning Guide may not be available in all markets and are subject to change at any time. Product specifications may vary from those shown. This Planning Guide should not be used as installation guidance for any product. Further information is required to safely and correctly install the products featured here. Specific installation guidance will be available on our website [fisherpaykel.com](https://fisherpaykel.com)



Warming Drawer WB60SMB1-SET, paired with Steam Oven OS60NMTDB1



Warming Drawer WB60SMG1-SET, paired with Steam Oven OS60NMTDG1

### OVERVIEW

Designed to complement our Minimal style ovens, these warming drawers are handle-free, and push-to-open for a coherent, considered look. Beautiful to use, with capacitive touch controls and six tailored functions for warming, proofing, dehydrating and slow cook. Pair with other companion products to create a kitchen suite for every need.

### PRODUCTS

**WB60SMB1-SET** - Black Glass  
Warming Drawer, 60cm, Panel Ready\*

**WB60SMG1-SET** - Grey Glass  
Warming Drawer, 60cm, Panel Ready\*

\*This model comes with an accessory door panel, and is not suitable for use with a custom door panel

### SERIES & STYLE

Series 9  
Minimal

### FEATURES

- ① Seamless pairing with our Minimal style ovens and other companion products
- ② Push-to-open drawer
- ③ Easy-to-use capacitive touch controls
- ④ Easy-to-clean, smooth-glass base
- ⑤ Room for six standard-sized place settings
- ⑥ Automatic timing, switch-off functionality
- ⑦ Interior LED lighting
- ⑧ Versatile with six tailored programmes for warming, proofing, dehydrating and slow cook

The models shown in this Planning Guide may not be available in all markets and are subject to change at any time. Product specifications may vary from those shown. This Planning Guide should not be used as installation guidance for any product. Further information is required to safely and correctly install the products featured here. Specific installation guidance will be available on our website [fisherpaykel.com](https://fisherpaykel.com)



Vacuum Seal Drawer VB60SMB1-SET, paired with Steam Oven OS60NMTDB1



Vacuum Seal Drawer VB60SMG1-SET, paired with Steam Oven OS60NMTDG1

**OVERVIEW**

Designed to match our Minimal style appliances, the Vacuum Seal Drawer is the ideal companion for our Combination Steam Oven. Prepares food for sous vide cooking, or vacuum sealing for marinating, food storage and portioning and resealing. Beautiful to use, with capacitive touch controls, these drawers deliver the performance to achieve perfect results.

**PRODUCTS**

**VB60SMB1-SET** - Black Glass  
Vacuum Seal Drawer, 60cm, Panel Ready\*

**VB60SMG1-SET** - Grey Glass  
Vacuum Seal Drawer, 60cm, Panel Ready\*

\*This model comes with an accessory door panel, and is not suitable for use with a custom door panel

**SERIES & STYLE**

Series 9  
Minimal

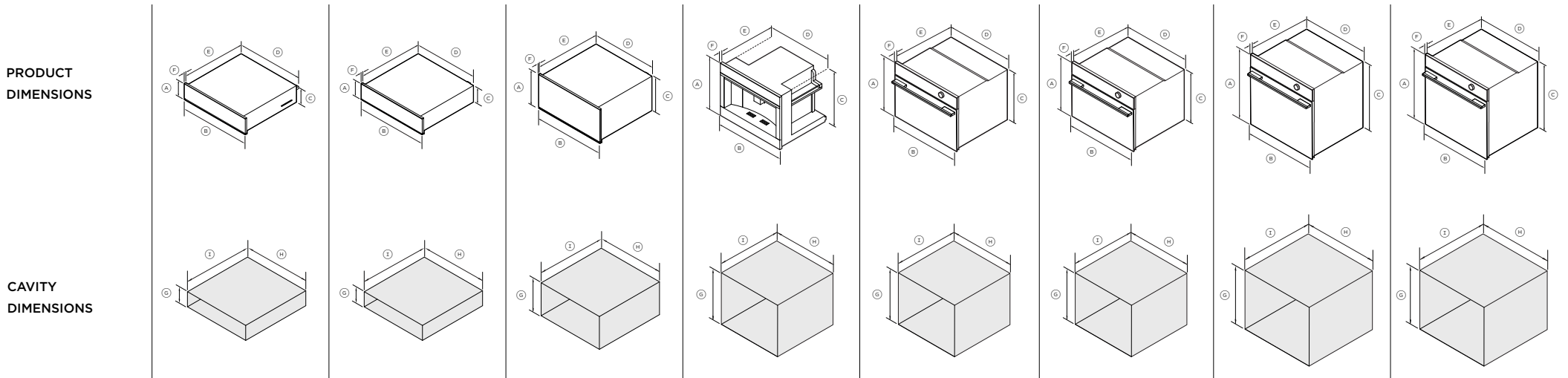
**FEATURES**

- ① Seamless pairing with our Minimal style ovens and other companion products
- ② Push-to-open drawer
- ③ Three levels of vacuum and heat sealing
- ④ Easy-to-clean base
- ⑤ Easy-to-use capacitive touch controls
- ⑥ Vacuum sealing for easy food portioning, marinating, storage and extended shelf life, or re-sealing
- ⑦ Effortless preparation for sous vide cooking
- ⑧ Maintenance and moisture indicator

**ACCESSORIES**

- ① External vacuuming accessory kit
- ② Large BPA free vacuum seal bags (50 bags, part 793034)
- ③ Small BPA-free vacuum seal bags (50 bags, part 793033)

The models shown in this Planning Guide may not be available in all markets and are subject to change at any time. Product specifications may vary from those shown. This Planning Guide should not be used as installation guidance for any product. Further information is required to safely and correctly install the products featured here. Specific installation guidance will be available on our website [fisherpaykel.com](http://fisherpaykel.com)



|   |   |   |  |   |   |   |   |
|---|---|---|--|---|---|---|---|
| <b>VACUUM SEAL DRAWER</b><br>VB60SMB1-SET<br>VB60SMG1-SET | <b>WARMING DRAWER</b><br>WB60SMB1-SET<br>WB60SMG1-SET | <b>WARMING DRAWER TALL</b><br>WB60SMTB1-SET | <b>BUILT-IN COFFEE MAKER</b><br>EB60MSB1<br>EB60MSG1 | <b>COMBINATION MICROWAVE OVEN</b><br>OM60NMTDB1<br>OM60NMTDG1 | <b>COMBINATION STEAM OVEN</b><br>OS60NMTDB1<br>OS60NMTDG1 | <b>COMBINATION STEAM OVEN</b><br>OS60SMTDB1<br>OS60SMTDG1 | <b>OVEN</b><br>OB60SMPTDB1<br>OB60SMPTDG1 |
|---|---|---|--|---|---|---|---|

| PRODUCT DIMENSIONS            |         |       |       |       |        |        |        |
|-------------------------------|---------|-------|-------|-------|--------|--------|--------|
| Ⓐ Overall height              | 140mm   | 140mm | 290mm | 458mm | 458mm  | 458mm  | 598mm  |
| Ⓑ Overall width               | 596mm   | 596mm | 596mm | 596mm | 596mm  | 596mm  | 596mm  |
| Ⓒ Chassis height              | 140mm   | 140mm | 290mm | 445mm | 435mm  | 435mm  | 575mm  |
| Ⓓ Chassis width               | 556mm** | 543mm | 543mm | 560mm | 556mm  | 556mm  | 556mm  |
| Ⓔ Chassis depth               | 545mm   | 547mm | 547mm | 460mm | 545mm  | 545mm  | 545mm  |
| Ⓕ Front panel thickness       | 20mm    | 20mm  | 20mm  | 20mm  | 20mm   | 20mm   | 20mm   |
| Depth of oven door fully open | -       | -     | -     | -     | 320mm* | 320mm* | 460mm* |

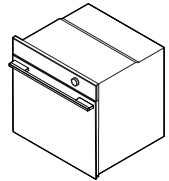
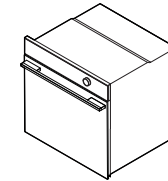
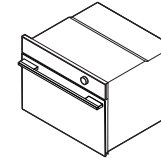
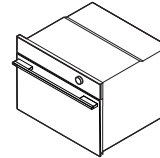
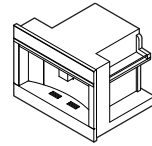
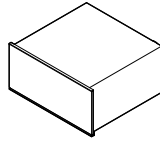
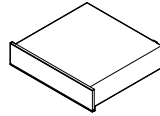
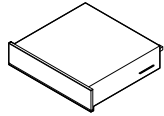
\*Measured from front of control panel  
\*\*Includes side brackets

| CAVITY DIMENSIONS                 |         |         |         |        |        |       |       |
|-----------------------------------|---------|---------|---------|--------|--------|-------|-------|
| Ⓖ Minimum inside height of cavity | 142mm** | 142mm** | 292mm** | 450mm  | 440mm  | 440mm | 580mm |
| Ⓗ Minimum inside width of cavity  | 560mm   | 560mm   | 560mm   | 560mm  | 560mm  | 560mm | 560mm |
| Ⓖ Minimum inside depth of cavity  | 550mm   | 550mm   | 550mm   | 545mm* | 550mm* | 550mm | 550mm |
| Recommended cabinet width         | 600mm   | 600mm   | 600mm   | 600mm  | 600mm  | 600mm | 600mm |

\*Requires ventilation at the rear of the cavity  
\*\*Standalone installation measurement can be installed with appliance on top. Drawers can fully support 60cm Fisher & Paykel wall oven, without adding shelf in between

The models shown in this Planning Guide may not be available in all markets and are subject to change at any time. Product specifications may vary from those shown. This Planning Guide should not be used as installation guidance for any product. Further information is required to safely and correctly install the products featured here. Specific installation guidance will be available on our website [fisherpaykel.com](http://fisherpaykel.com)





**VACUUM SEAL DRAWER**  
VB60SMB1-SET  
VB60SMG1-SET

**WARMING DRAWER**  
WB60SMB1-SET  
WB60SMG1-SET

**WARMING DRAWER TALL**  
WB60SMTB1-SET

**BUILT-IN COFFEE MAKER**  
EB60MSB1  
EB60MSG1

**COMBINATION MICROWAVE OVEN**  
OM60NMTDB1  
OM60NMTDGI

**COMBINATION STEAM OVEN**  
OS60NMTDB1  
OS60NMTDGI

**COMBINATION STEAM OVEN**  
OS60SMTDB1  
OS60SMTDGI

**OVEN**  
OB60SMPTDB1  
OB60SMPTDGI

**POWER REQUIREMENTS**

|            |                  |                  |                  |                  |                  |                  |                  |                  |
|------------|------------------|------------------|------------------|------------------|------------------|------------------|------------------|------------------|
| Supply     | 220-240 V, 50 Hz | 220-240 V, 50 Hz | 220-240 V, 50 Hz | 220-240 V, 50 Hz | 220-240 V, 50 Hz | 220-240 V, 50 Hz | 220-240 V, 50 Hz | 220-240 V, 50 Hz |
| Service    | 10 A             | 10 A             | 10 A             | 10 A             | 20 A             | 20 A             | 20 A             | 20 A             |
| Connection | Flex cord 1800mm | Flex cord 1800mm | Flex cord 1800mm | Flex cord 1700mm | Hard wired       | Hard wired       | Hard wired       | Hard wired       |

**WEIGHT**

|            |      |      |      |      |      |      |      |      |
|------------|------|------|------|------|------|------|------|------|
| Packaged   | 42kg | 22kg | 25kg | 39kg | 46kg | 52kg | 65kg | 44kg |
| Unpackaged | 35kg | 18kg | 20kg | 29kg | 41kg | 39kg | 46kg | 38kg |

**CAPACITY**

|                  |   |   |   |      |     |      |      |     |
|------------------|---|---|---|------|-----|------|------|-----|
| Total oven       | - | - | - | -    | 49L | 55L  | 85L  | 85L |
| Total water tank | - | - | - | 2.4L | -   | 1.4L | 1.4L | -   |

**SERVICES**

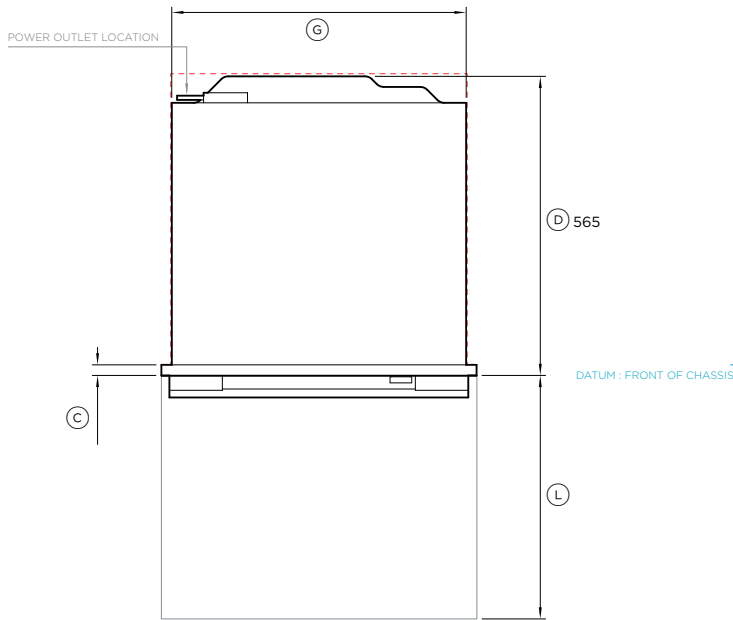
For more information on cord length, water supply and electrical requirements, refer to the 'Services' section of this Planning Guide.

**WATER**

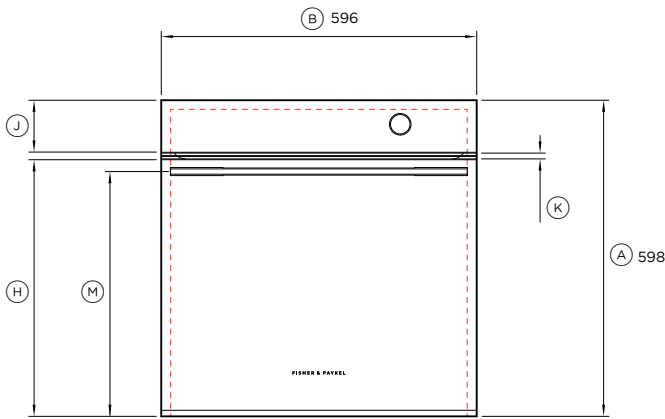
All Coffee Makers and Steam Ovens have internal water tanks which need to be filled manually. No external water supply is required.

The models shown in this Planning Guide may not be available in all markets and are subject to change at any time. Product specifications may vary from those shown. This Planning Guide should not be used as installation guidance for any product. Further information is required to safely and correctly install the products featured here. Specific installation guidance will be available on our website [fisherpaykel.com](http://fisherpaykel.com)

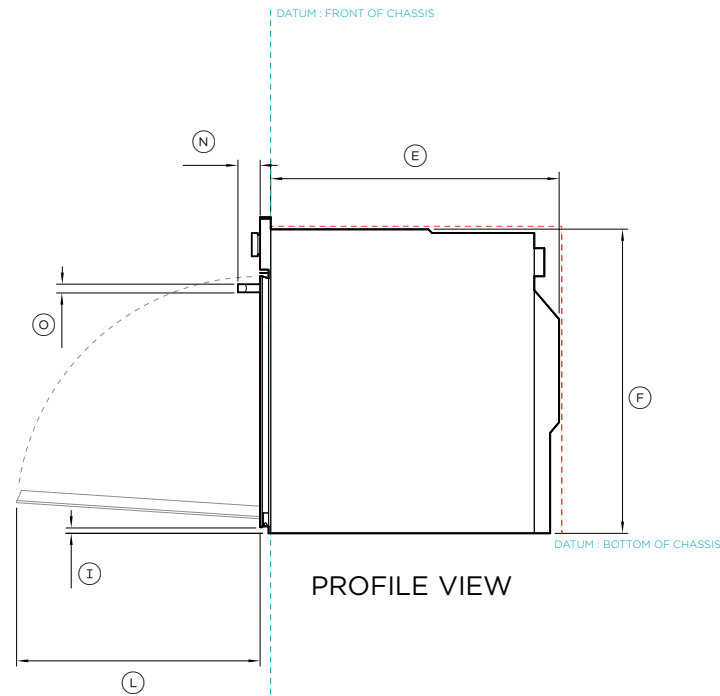
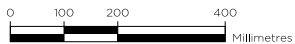
## DATA SHEETS



PLAN VIEW



FRONT VIEW



PROFILE VIEW

**Model no:**

Oven, 60cm - OB60SMPTDB1, OB60SMPTDG1

**Product Dimensions**

|   | mm  |
|---|-----|
| A Overall height of product                                     | 598 |
| B Overall width of product                                      | 596 |
| C Depth of control panel (excludes dial and handle)             | 20  |
| D Depth of chassis and control panel (excludes dial and handle) | 565 |
| E Depth of chassis  | 545 |
| F Height of chassis   | 575 |
| G Width of chassis  | 556 |
| H Height from bottom datum to top of oven door                  | 487 |
| I Height from bottom datum to bottom of door                    | 12  |
| J Height of control panel                                       | 100 |
| K Gap between door and control panel                            | 11  |
| L Depth of door when open (measured from front of door)         | 460 |
| M Height from bottom datum to centerline of handle              | 464 |
| N Depth of handle (measured from front of door)                 | 42  |
| O Thickness of handle   | 16  |

**Minimum Clearances - Flush Installation**

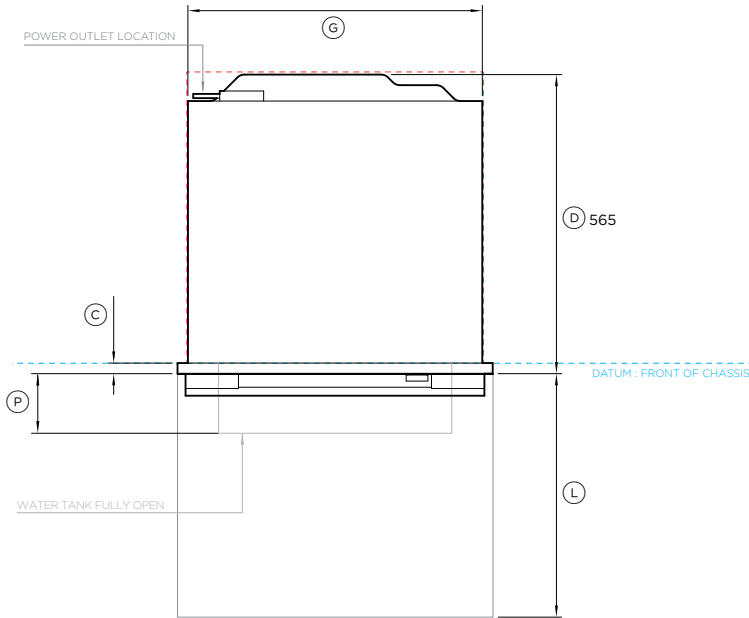
|   | mm  |
|---|-----|
| Minimum inside height of cavity   | 580 |
| Minimum inside width of cavity  | 560 |
| Minimum inside depth of cavity  | 550 |
| Minimum clearances above oven control panel to upper cabinetry front panel or appliance       | 2   |
| Minimum clearances between bottom of oven chassis to lower cabinetry front panel or appliance | 2   |

Ensure a 5mm minimum clearance is maintained between the top of the oven chassis and the cabinetry. Ensure the oven is not bearing any weight from cabinetry or products installed above.

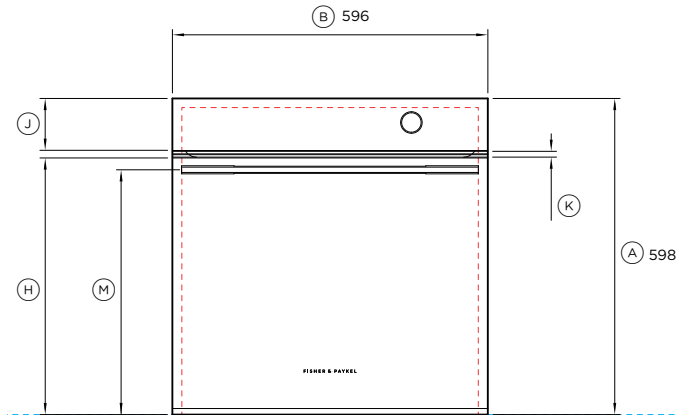
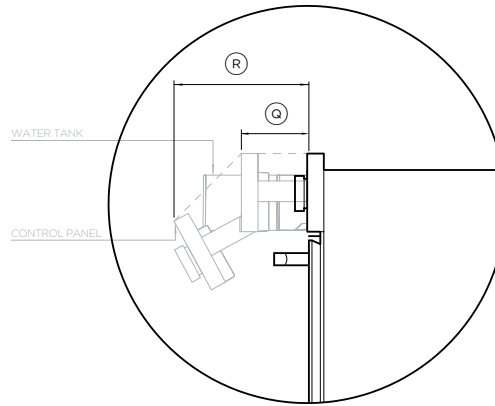
IMPORTANT NOTE: For full installation and clearance details please refer to our installation manual.

INDICATES CABINETRY / PRODUCT DATUM -----  
INDICATES CABINETRY CLEARANCES - - - - -

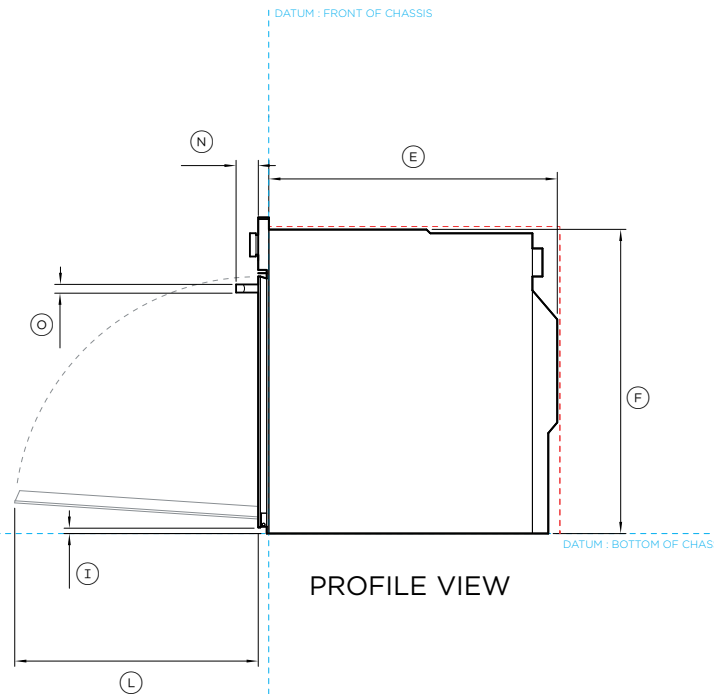
IMPORTANT NOTE: Throughout this guide, dimensions may vary by ±2mm (1/16"). Please read the Installation Guide for detailed information on installing the product. For full installation instructions visit [fisherpaykel.com](http://fisherpaykel.com)



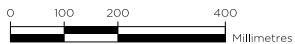
PLAN VIEW



FRONT VIEW



PROFILE VIEW



**Model no:**

Combination Steam Oven, 60cm - OS60SMTDB1, OS60SMTDG1

**Product Dimensions**

|   | <b>mm</b> |
|---|-----------|
| Ⓐ Overall height of product                                     | 598       |
| Ⓑ Overall width of product                                      | 596       |
| Ⓒ Depth of control panel (excludes dial and handle)             | 20        |
| Ⓓ Depth of chassis and control panel (excludes dial and handle) | 565       |
| Ⓔ Depth of chassis  | 545       |
| Ⓕ Height of chassis   | 575       |
| Ⓖ Width of chassis  | 556       |
| Ⓜ Height from bottom datum to top of oven door                  | 487       |
| Ⓜ Height from bottom datum to bottom of door                    | 12        |
| Ⓜ Height of control panel                                       | 100       |
| Ⓧ Gap between door and control panel                            | 11        |
| Ⓛ Depth of door when open (measured from front of door)         | 460       |
| Ⓜ Height from bottom datum to centerline of handle              | 464       |
| Ⓝ Depth of handle (measured from front of door)                 | 42        |
| Ⓞ Thickness of handle   | 16        |
| Ⓟ Control panel fully open (measured from front of door)        | 170       |
| Ⓠ Control panel half open (measured from front of door)         | 84        |
| Ⓢ Water tank carriage fully open (measured from front of door)  | 133       |

**Minimum Clearances - Flush Installation**

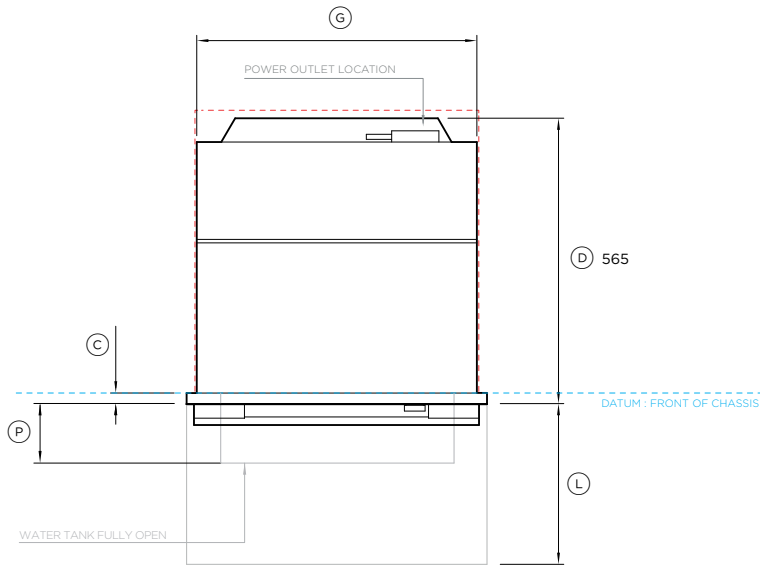
|   | <b>mm</b> |
|---|-----------|
| Minimum inside height of cavity   | 580       |
| Minimum inside width of cavity  | 560       |
| Minimum inside depth of cavity  | 550       |
| Minimum clearances above oven control panel to upper cabinetry front panel or appliance       | 2         |
| Minimum clearances between bottom of oven chassis to lower cabinetry front panel or appliance | 2         |

Ensure a 5mm minimum clearance is maintained between the top of the oven chassis and the cabinetry. Ensure the oven is not bearing any weight from cabinetry or products installed above.

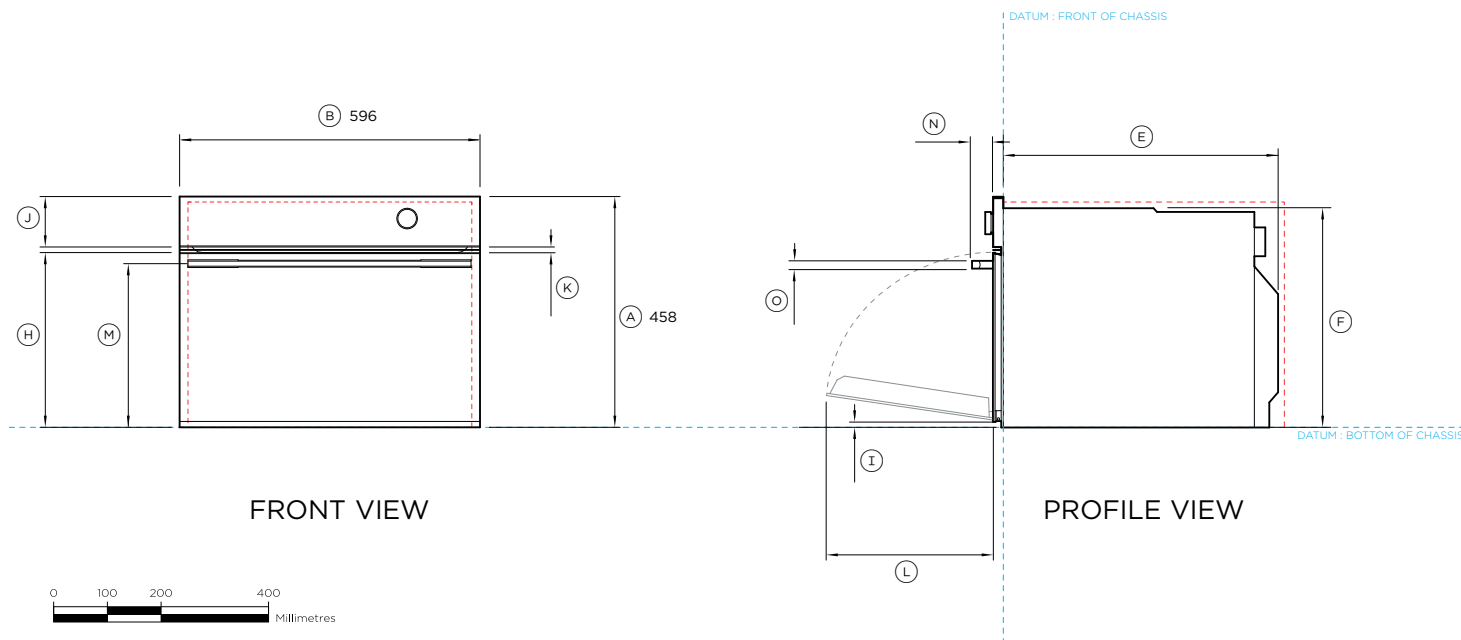
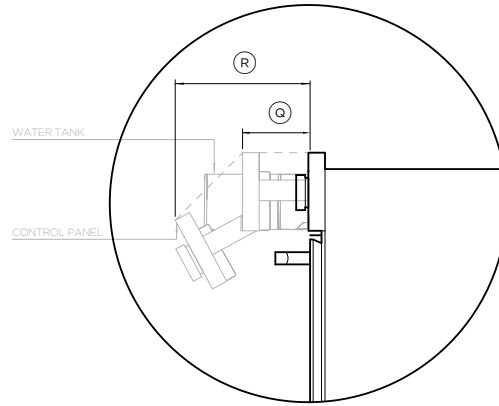
IMPORTANT NOTE: For full installation and clearance details please refer to our installation manual.

INDICATES CABINETRY / PRODUCT DATUM .....  
 INDICATES CABINETRY CLEARANCES - - - - -

IMPORTANT NOTE: Throughout this guide, dimensions may vary by ±2mm (1/16"). Please read the Installation Guide for detailed information on installing the product. For full installation instructions visit fisherpaykel.com



PLAN VIEW



FRONT VIEW

PROFILE VIEW

**Model no:**

Combination Steam Oven, 60cm - OS60NMTDB1, OS60NMTDG1

**Product Dimensions**

|   | <b>mm</b> |
|---|-----------|
| A Overall height of product                                     | 458       |
| B Overall width of product                                      | 596       |
| C Depth of control panel (excludes dial and handle)             | 20        |
| D Depth of chassis and control panel (excludes dial and handle) | 565       |
| E Depth of chassis  | 545       |
| F Height of chassis   | 435       |
| G Width of chassis  | 556       |
| H Height from bottom datum to top of oven door                  | 347       |
| I Height from bottom datum to bottom of door                    | 12        |
| J Height of control panel                                       | 100       |
| K Gap between door and control panel                            | 11        |
| L Depth of door when open (measured from front of door)         | 320       |
| M Height from bottom datum to centerline of handle              | 324       |
| N Depth of handle (measured from front of door)                 | 42        |
| O Thickness of handle   | 16        |
| P Control panel fully open (measured from front of door)        | 170       |
| Q Control panel half open (measured from front of door)         | 84        |
| R Water tank carriage fully open (measured from front of door)  | 133       |

**Minimum Clearances - Flush Installation**

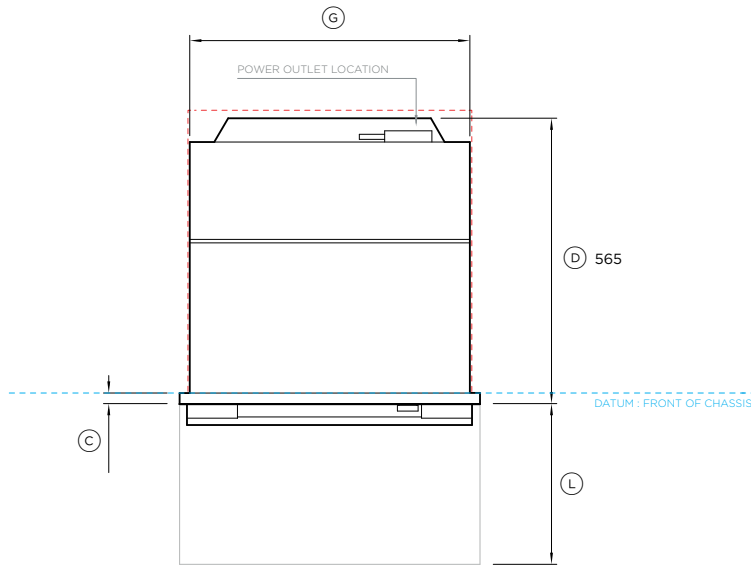
|   | <b>mm</b> |
|---|-----------|
| Minimum inside height of cavity   | 440       |
| Minimum inside width of cavity  | 560       |
| Minimum inside depth of cavity  | 550       |
| Minimum clearances above oven control panel to upper cabinetry front panel or appliance       | 2         |
| Minimum clearances between bottom of oven chassis to lower cabinetry front panel or appliance | 2         |

Ensure a 5mm minimum clearance is maintained between the top of the oven chassis and the cabinetry. Ensure the oven is not bearing any weight from cabinetry or products installed above.

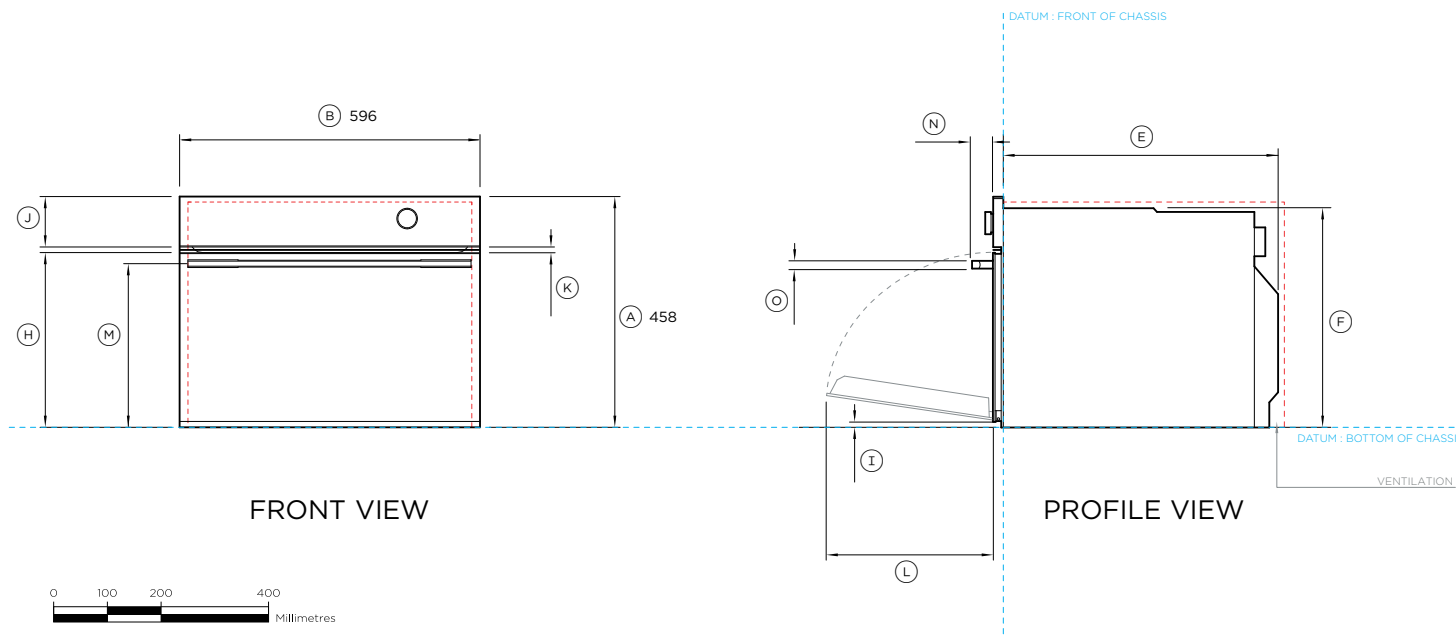
IMPORTANT NOTE: For full installation and clearance details please refer to our installation manual.

INDICATES CABINETRY / PRODUCT DATUM -----  
 INDICATES CABINETRY CLEARANCES - - - - -

IMPORTANT NOTE: Throughout this guide, dimensions may vary by ±2mm (1/16"). Please read the Installation Guide for detailed information on installing the product. For full installation instructions visit fisherpaykel.com



PLAN VIEW



FRONT VIEW

PROFILE VIEW



**Model no:**

Combination Microwave Oven, 60cm - OM60NMTDB1, OM60NMTDG1

**Product Dimensions**

|   | <b>mm</b> |
|---|-----------|
| Ⓐ Overall height of product                                     | 458       |
| Ⓑ Overall width of product                                      | 596       |
| Ⓒ Depth of control panel (excludes dial and handle)             | 20        |
| Ⓓ Depth of chassis and control panel (excludes dial and handle) | 565       |
| Ⓔ Depth of chassis  | 545       |
| Ⓕ Height of chassis   | 435       |
| Ⓖ Width of chassis  | 556       |
| Ⓜ Height from bottom datum to top of oven door                  | 347       |
| Ⓣ Height from bottom datum to bottom of door                    | 12        |
| Ⓝ Height of control panel                                       | 100       |
| Ⓚ Gap between door and control panel                            | 11        |
| Ⓛ Depth of door when open (measured from front of door)         | 320       |
| Ⓜ Height from bottom datum to centerline of handle              | 324       |
| Ⓝ Depth of handle (measured from front of door)                 | 42        |
| Ⓞ Thickness of handle   | 16        |

**Minimum Clearances - Flush Installation**

|   | <b>mm</b> |
|---|-----------|
| Minimum inside height of cavity   | 440       |
| Minimum inside width of cavity  | 560       |
| Minimum inside depth of cavity  | 550       |
| Rear ventilation air vent depth*  | 50        |
| Rear ventilation air vent width*  | 560       |
| Minimum clearances above oven control panel to upper cabinetry front panel or appliance       | 2         |
| Minimum clearances between bottom of oven chassis to lower cabinetry front panel or appliance | 2         |

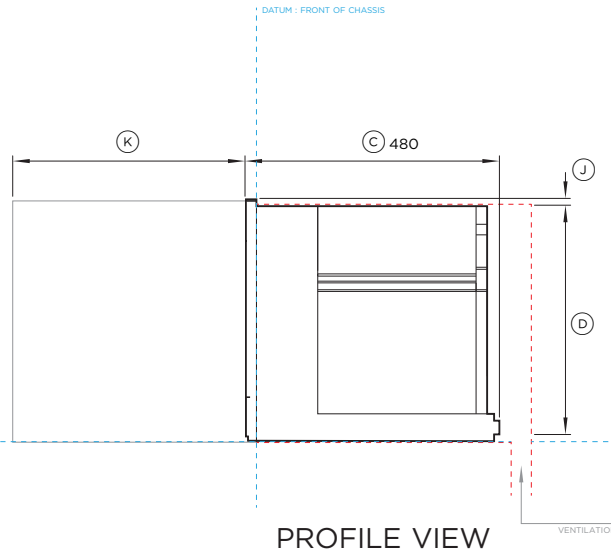
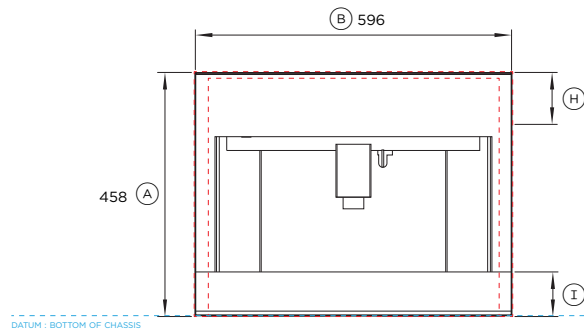
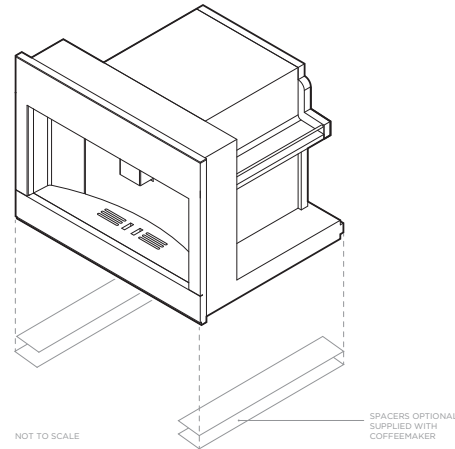
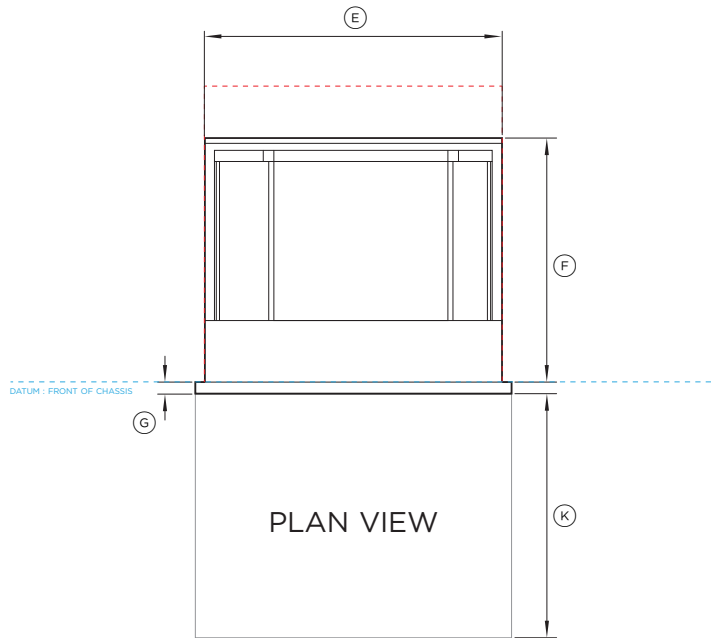
\*A rear ventilation air vent totalling 280cm<sup>2</sup> is required. The air vent must be located at the rear of the cabinet, it can be positioned at the base, sides, back or top of the cavity.

Ensure a 5mm minimum clearance is maintained between the top of the oven chassis and the cabinetry. Ensure the oven is not bearing any weight from cabinetry or products installed above.

IMPORTANT NOTE: For full installation and clearance details please refer to our installation manual.

INDICATES CABINETRY / PRODUCT DATUM .....  
 INDICATES CABINETRY CLEARANCES - - - - -

IMPORTANT NOTE: Throughout this guide, dimensions may vary by ±2mm (1/16"). Please read the Installation Guide for detailed information on installing the product. For full installation instructions visit fisherpaykel.com



**Model no:**

Built-in Coffee Maker, 60cm - EB60MSB1, EB60MSG1

**Product Dimensions**

|   | <b>mm</b> |
|---|-----------|
| Ⓐ Overall height of product   | 458       |
| Ⓑ Overall width of product  | 596       |
| Ⓒ Overall depth of product (excludes front metal trim)                            | 480       |
| Ⓓ Height of chassis   | 445       |
| Ⓔ Width of chassis  | 560       |
| Ⓕ Depth of chassis  | 460       |
| Ⓖ Depth of coffee maker front frame and control panel (excludes front metal trim) | 20        |
| Ⓗ Height of control panel   | 100       |
| Ⓘ Height of horizontal lower section from bottom datum                            | 83        |
| Ⓝ Stepdown from control panel to chassis  | 13        |
| Ⓚ Extent coffee maker pulls out   | 435       |

**Minimum Clearances - Flush Installation**

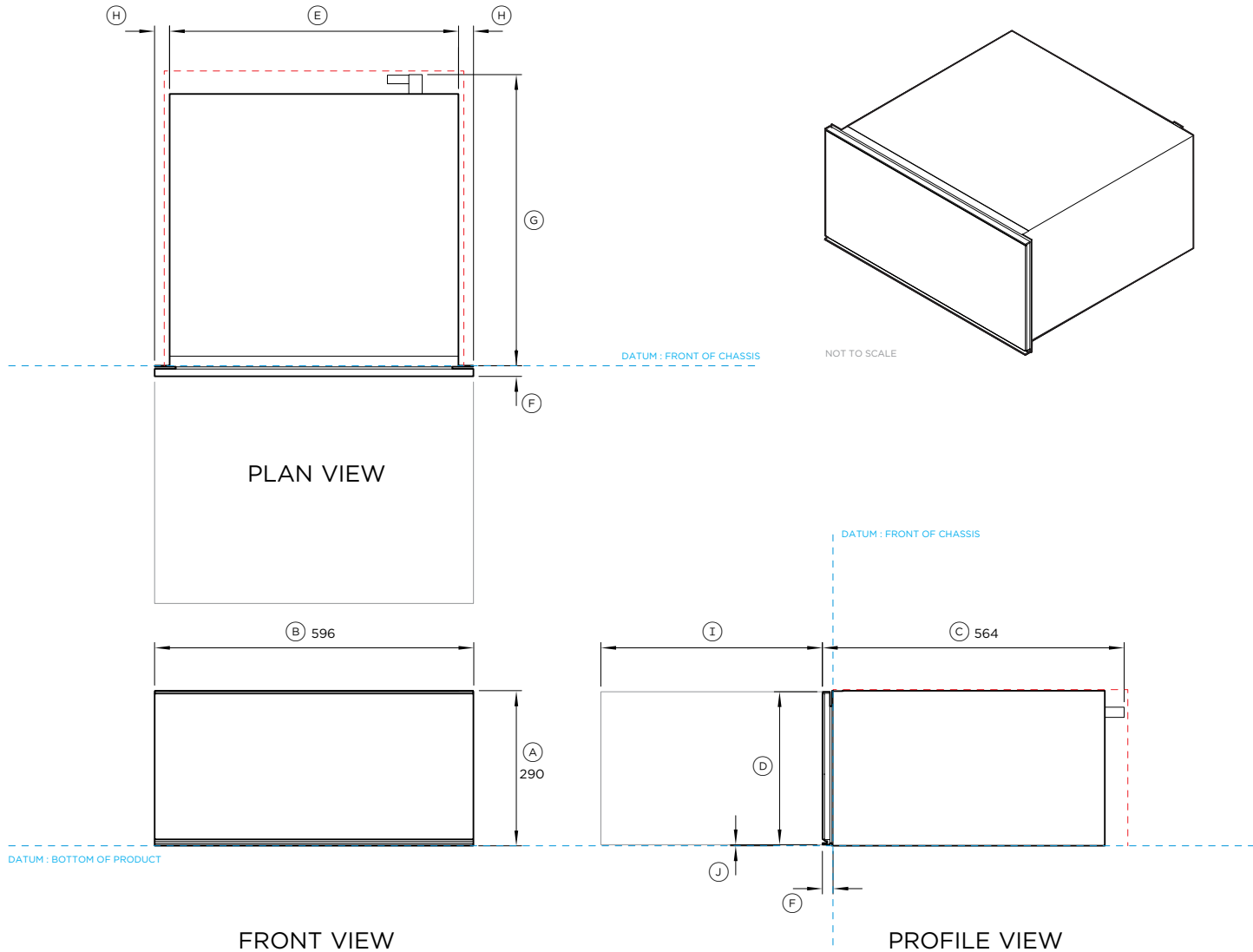
|  | <b>mm</b> |
|--|-----------|
| Minimum inside height of cavity  | 450       |
| Minimum inside width of cavity   | 560       |
| Minimum inside depth of cavity from front datum  | 545       |
| Overall height of cabinetry  | 460       |
| Overall width of cabinetry   | 600       |
| Rear ventilation air vent depth*   | 50        |
| Rear ventilation air vent width*   | 560       |
| Minimum clearances above built-in coffee maker control panel to upper cabinetry front panel or appliance | 2         |
| Minimum clearances between bottom of coffee maker rails to lower cabinetry front panel or appliance      | 2         |

\*A rear ventilation air vent totalling 280cm<sup>2</sup> is required. The air vent must be located at the rear of cabinet. It can be positioned at the base, sides, back or top of the cavity.

IMPORTANT NOTE: For full installation and clearance details please refer to our installation manual.

INDICATES CABINETRY / PRODUCT DATUM -----  
 INDICATES CABINETRY CLEARANCES - - - - -

IMPORTANT NOTE: Throughout this guide, dimensions may vary by ±2mm (1/16"). Please read the Installation Guide for detailed information on installing the product. For full installation instructions visit [fisherpaykel.com](http://fisherpaykel.com)



**Model no:**

Warming Drawer, 60cm, Tall - WB60SMTB1-SET

**Product Dimensions**

|  | mm  |
|--|-----|
| Ⓐ Overall height of product                                  | 290 |
| Ⓑ Overall width of product                                   | 596 |
| Ⓒ Overall depth (incl. front panel & power plug)             | 564 |
| Ⓓ Height of drawer front panel                               | 286 |
| Ⓔ Width of chassis   | 543 |
| Ⓕ Depth of drawer front panel and flange                     | 20  |
| Ⓖ Depth of chassis (includes power plug, excludes flange)    | 547 |
| Ⓗ Distance from side of chassis to side of drawer front      | 36  |
| Ⓘ Depth of open drawer (measured from front of drawer panel) | 414 |
| ⓵ Height from bottom of chassis to bottom of front panel     | 2   |

**Dimension Clearances - Flush Installation**

|   | mm  |
|---|-----|
| Minimum inside height of cavity   | 292 |
| Minimum inside width of cavity  | 560 |
| Minimum inside depth of cavity  | 550 |
| Overall width of cabinetry  | 600 |
| Minimum clearances above drawer front panel to upper cabinetry front panel or appliance*        | 4   |
| Minimum clearances between bottom of drawer chassis to lower cabinetry front panel or appliance | 2   |

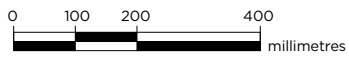
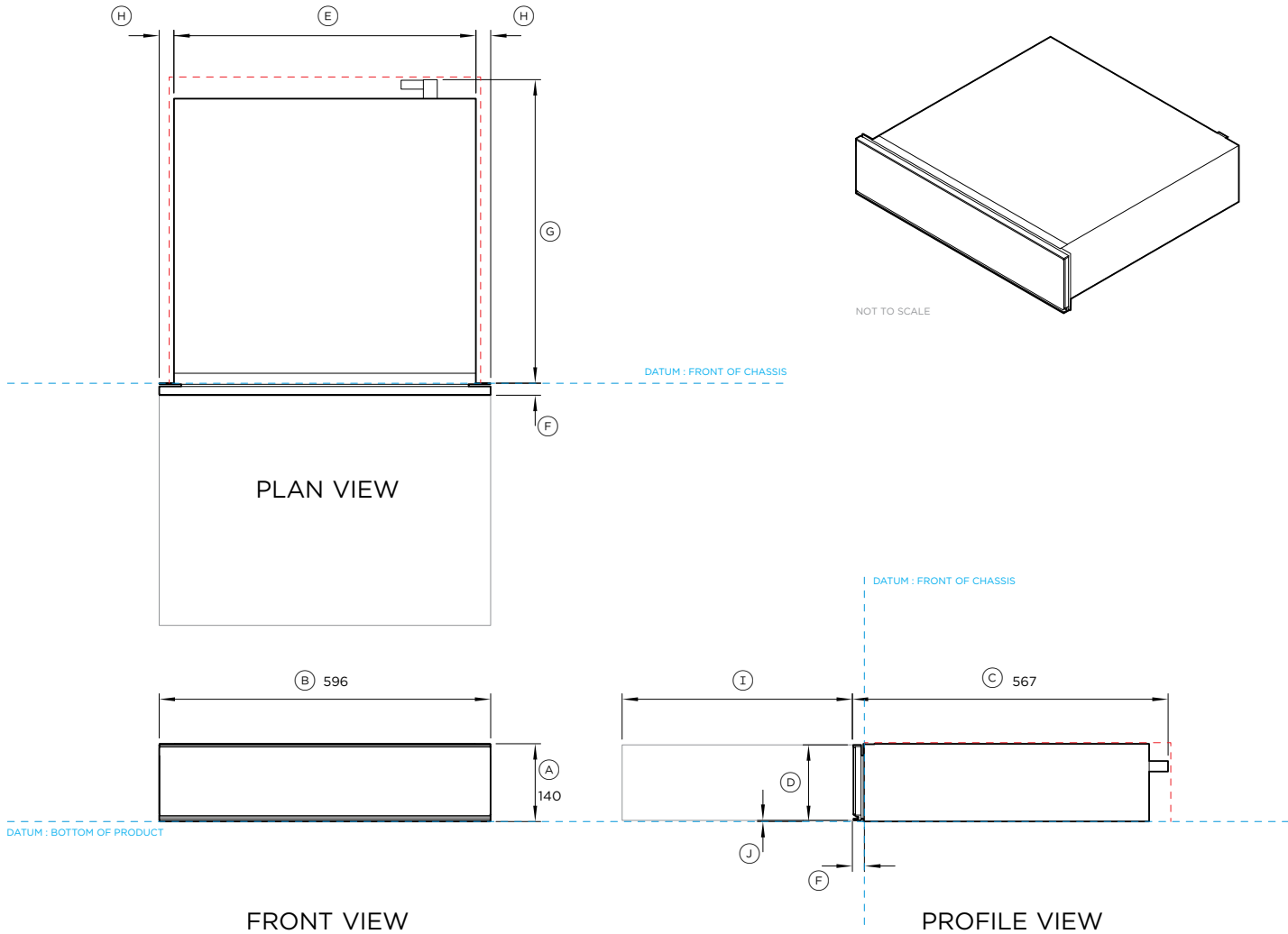
\*Achieve a smaller gap between drawer front panel to upper cabinetry front panel by dropping cabinetry front panel down

IMPORTANT NOTE: For full installation and clearance details please refer to our installation manual.

INDICATES CABINERY / PRODUCT DATUM -----  
 INDICATES CABINERY CLEARANCES -----

IMPORTANT NOTE: Throughout this guide, dimensions may vary by ±2mm (1/16"). Please read the Installation Guide for detailed information on installing the product. For full installation instructions visit fisherpaykel.com





**Model no:**

Warming Drawer, 60cm - WB60SMB1-SET, WB60SMG1-SET

| Product Dimensions   | mm  |
|--|-----|
| Ⓐ Overall height of product  | 140 |
| Ⓑ Overall width of product   | 596 |
| Ⓒ Overall depth (incl. front panel & power plug, excludes stainless cap) | 567 |
| Ⓓ Height of drawer front panel   | 136 |
| Ⓔ Width of chassis   | 543 |
| Ⓕ Depth of drawer front panel and flange (excludes stainless cap)        | 20  |
| Ⓖ Depth of chassis (includes power plug, excludes flange)                | 547 |
| Ⓜ Distance from side of chassis to side of drawer front                  | 36  |
| Ⓘ Depth of open drawer (measured from front of drawer panel)             | 414 |
| Ⓚ Height from bottom of chassis to bottom of front panel                 | 2   |

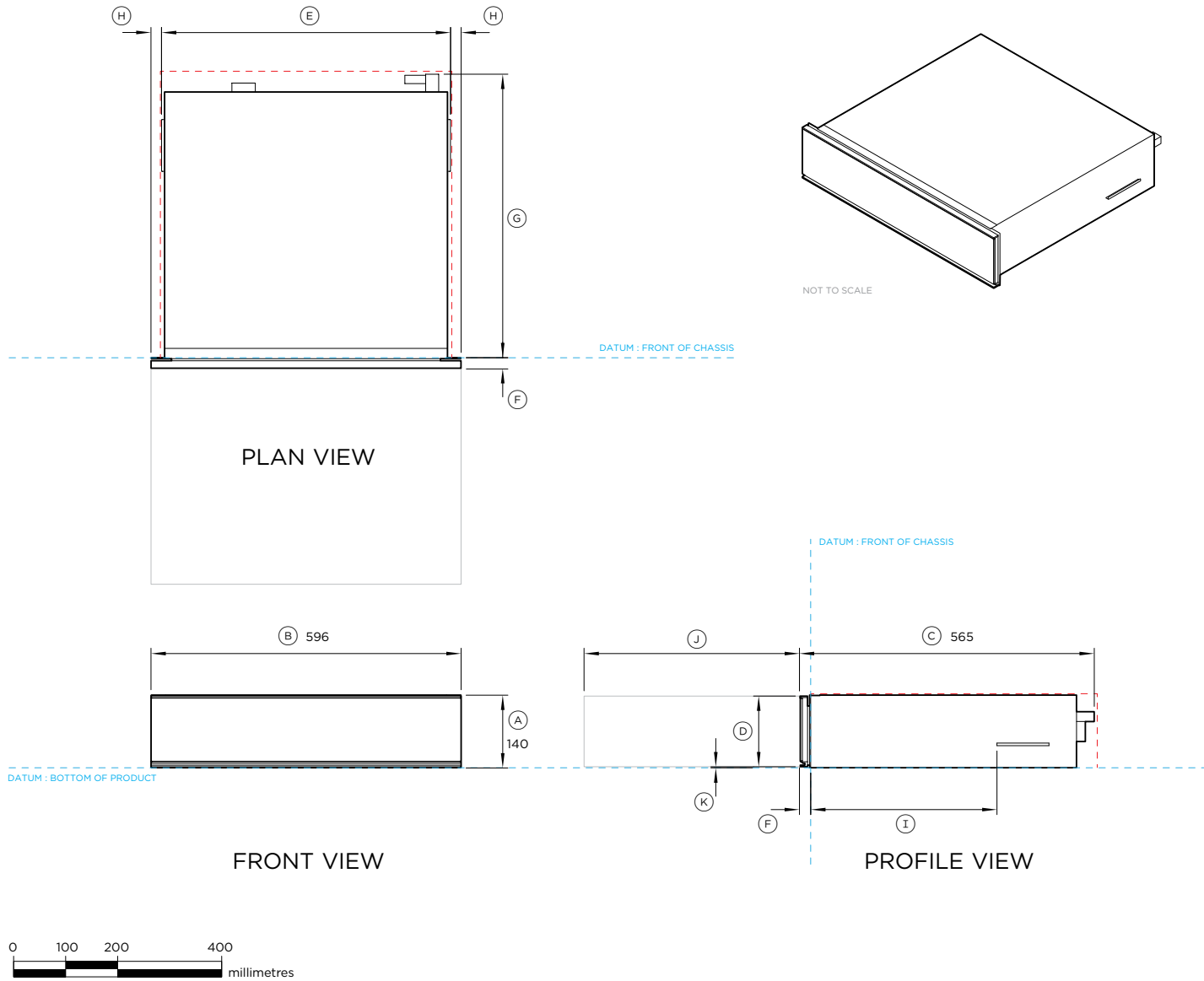
| Dimension Clearances - Flush Installation   | mm  |
|---|-----|
| Minimum inside height of cavity   | 142 |
| Minimum inside width of cavity  | 560 |
| Minimum inside depth of cavity  | 550 |
| Overall width of cabinetry  | 600 |
| Minimum clearances above drawer front panel to upper cabinetry front panel or appliance*        | 4   |
| Minimum clearances between bottom of drawer chassis to lower cabinetry front panel or appliance | 2   |

\*Achieve a smaller gap between drawer front panel to upper cabinetry front panel by dropping cabinetry front panel down

IMPORTANT NOTE: For full installation and clearance details please refer to our installation manual.

INDICATES CABINETRY / PRODUCT DATUM -----  
 INDICATES CABINETRY CLEARANCES - - - - -

IMPORTANT NOTE: Throughout this guide, dimensions may vary by ±2mm (1/16"). Please read the Installation Guide for detailed information on installing the product. For full installation instructions visit fisherpaykel.com



**Model no:**

Vacuum Seal Drawer - VB60SMB1-SET, VB60SMG1-SET

**Product Dimensions**

|  | mm  |
|--|-----|
| Ⓐ Overall height of product                                  | 140 |
| Ⓑ Overall width of product                                   | 596 |
| Ⓒ Overall depth (incl. front panel & power plug)             | 565 |
| Ⓓ Height of drawer front panel                               | 136 |
| Ⓔ Width of chassis (includes side brackets)                  | 556 |
| Ⓕ Depth of drawer front panel and flange                     | 20  |
| Ⓖ Depth of chassis (includes power plug, excludes flange)    | 545 |
| Ⓜ Distance from side bracket to side of drawer front         | 20  |
| Ⓣ Distance between flange and side bracket                   | 358 |
| ⓵ Depth of open drawer (measured from front of drawer panel) | 414 |
| Ⓧ Height from bottom of chassis to bottom of front panel     | 2   |

**Dimension Clearances - Flush Installation**

|   | mm  |
|---|-----|
| Minimum inside height of cavity   | 142 |
| Minimum inside width of cavity  | 560 |
| Minimum inside depth of cavity  | 550 |
| Overall width of cabinetry  | 600 |
| Minimum clearances above drawer front panel to upper cabinetry front panel or appliance*        | 4   |
| Minimum clearances between bottom of drawer chassis to lower cabinetry front panel or appliance | 2   |

\*Achieve a smaller gap between drawer front panel to upper cabinetry front panel by dropping cabinetry front panel down

IMPORTANT NOTE: For full installation and clearance details please refer to our installation manual.

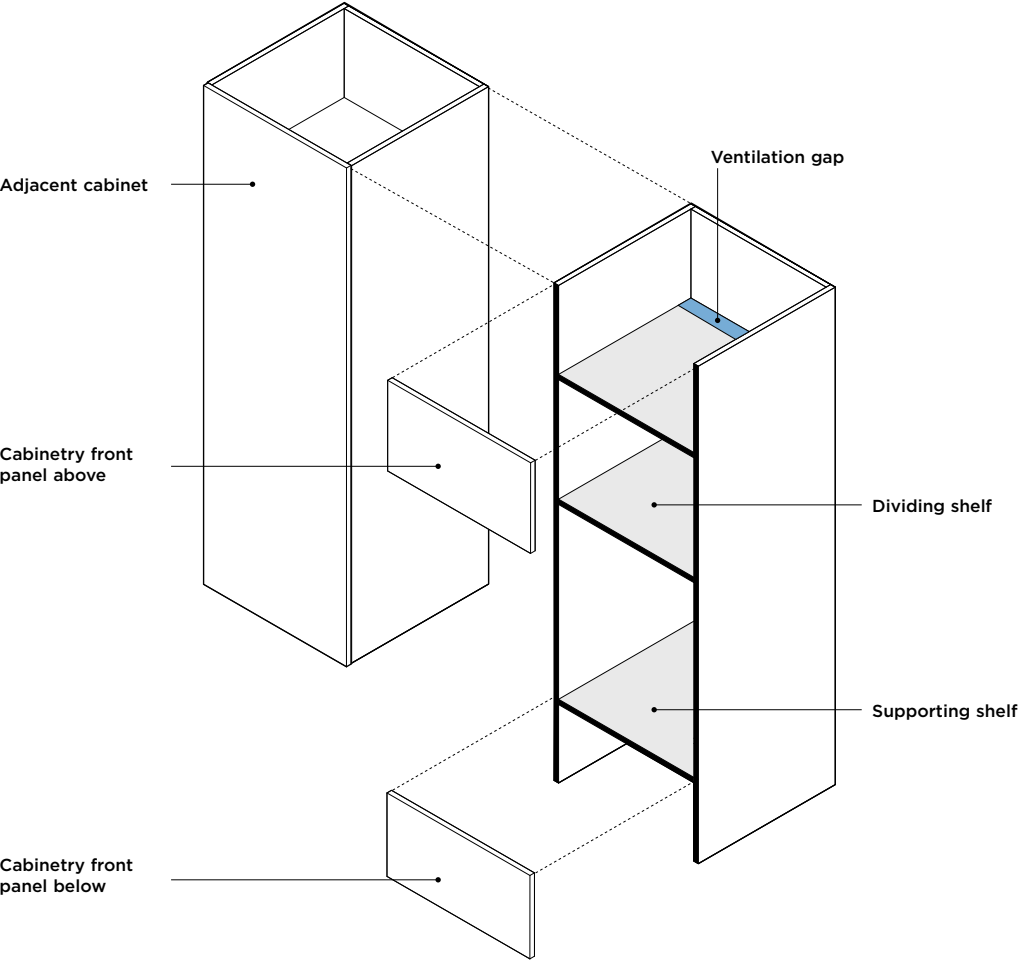
INDICATES CABINERY / PRODUCT DATUM -----  
 INDICATES CABINERY CLEARANCES - - - - -

IMPORTANT NOTE: Throughout this guide, dimensions may vary by ±2mm (1/16"). Please read the Installation Guide for detailed information on installing the product. For full installation instructions visit fisherpaykel.com

## PLANNING CONSIDERATIONS

**BLACK CLASHING**

Black clashing recommended on front facing edges where products are located and on side cabinets if cabinet is rebated.

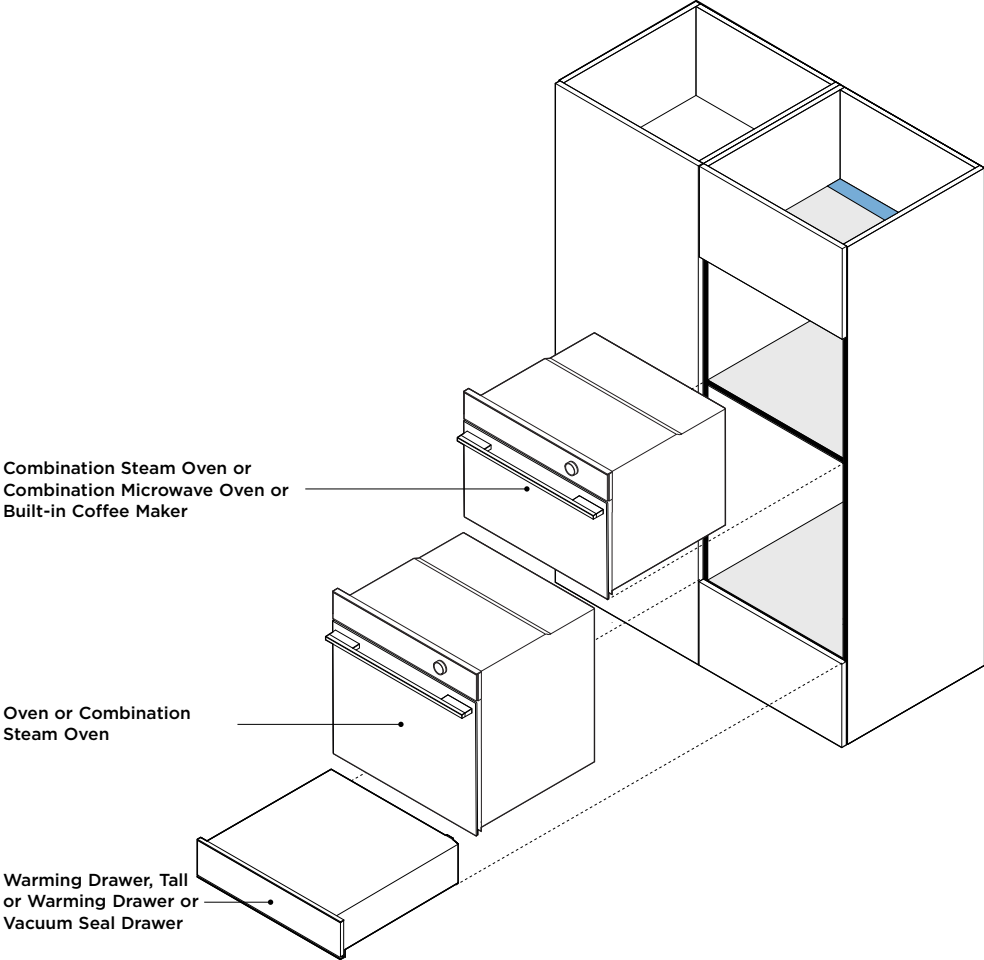


**DIVIDING SHELF**

If the cabinetry front panels are thinner than 20mm (less than the thickness of the appliance front) a rebate is required for the appliance to achieve a flush finish.

**LEVEL CABINETRY**

Check the shelves are level and the side panels are straight.



The models shown in this Planning Guide may not be available in all markets and are subject to change at any time. Product specifications may vary from those shown. This Planning Guide should not be used as installation guidance for any product. Further information is required to safely and correctly install the products featured here. Specific installation guidance will be available on our website [fisherpaykel.com](http://fisherpaykel.com)

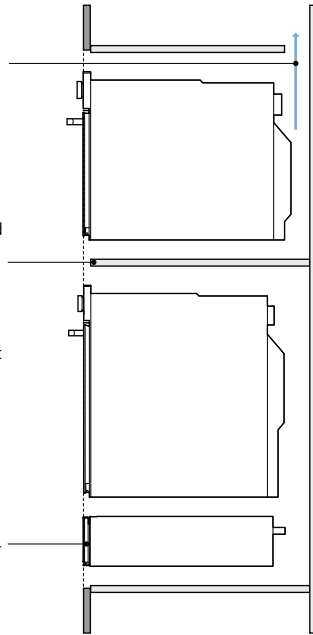
Ventilation air vent is required at rear for some products.

Dividing shelves are required to support stacked appliances and to achieve correct clearance.

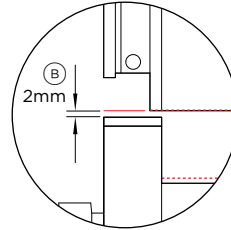
Dividing shelves must be constructed from material that will support the weight of the appliances.

Ensure the oven is not bearing any weight from cabinetry or products installed above.

Warming Drawers and Vacuum Seal Drawers can fully support a 60cm Fisher & Paykel oven, without adding a shelf in between.



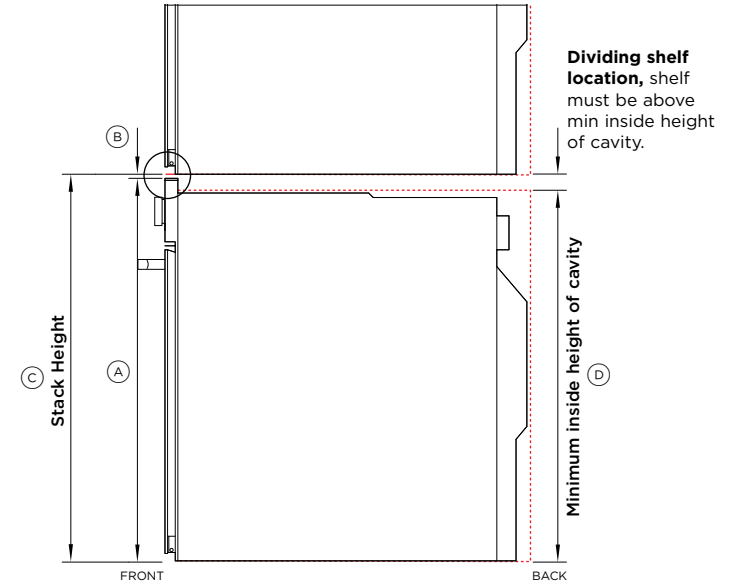
STACK EXPLODED  
PROFILE VIEW



Minimum clearances above appliance control panel to upper appliance

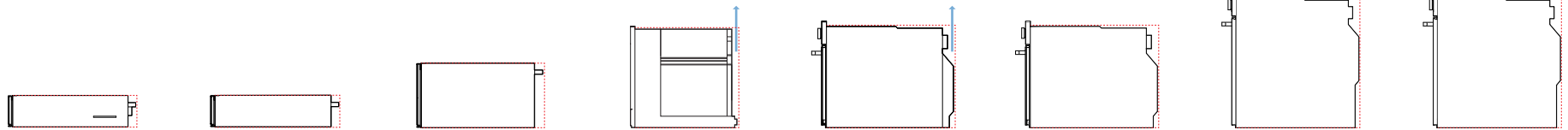
**STACK HEIGHT**

$$\begin{aligned} & \textcircled{A} \text{ Overall product height} \\ & + \\ & \textcircled{B} \text{ Minimum clearances above appliance control panel or} \\ & \text{front panel to upper appliance} \\ & = \\ & \textcircled{C} \text{ Stacked Height} \end{aligned}$$



PRODUCT  
PROFILE VIEW

MINIMUM  
DIMENSION  
CLEARANCES



VACUUM SEAL DRAWER  
VB60SMB1-SET  
VB60SMG1-SET

WARMING DRAWER  
WB60SMB1-SET  
WB60SMG1-SET

WARMING DRAWER TALL  
WB60SMTB1-SET

BUILT-IN COFFEE MAKER  
EB60MSB1  
EB60MSG1

COMBINATION MICROWAVE  
OVEN  
OM60NMTDB1  
OM60NMTDG1

COMBINATION STEAM  
OVEN  
OS60NMTDB1  
OS60NMTDG1

COMBINATION STEAM  
OVEN  
OS60SMTDB1  
OS60SMTDG1

OVEN  
OB60SMPTDB1  
OB60SMPTDG1

DIMENSIONS

|                                   |         |         |         |          |        |        |        |        |
|-----------------------------------|---------|---------|---------|----------|--------|--------|--------|--------|
| Ⓐ Overall product height          | 140mm   | 140mm   | 290mm   | 458mm*** | 458mm  | 458mm  | 598mm  | 598mm  |
| Ⓑ Minimum clearance above         | -       | -       | -       | 2mm      | 2mm    | 2mm    | 2mm    | 2mm    |
| Ⓒ Stack height                    | 140mm** | 140mm** | 290mm** | 460mm*   | 460mm* | 460mm* | 600mm* | 600mm* |
| Ⓓ Minimum inside height of cavity | 140mm   | 140mm   | 290mm   | 450mm    | 440mm  | 440mm  | 580mm  | 580mm  |

\*Stack Height is overall product height with minimum clearances above appliance control panel or front panel to upper appliance

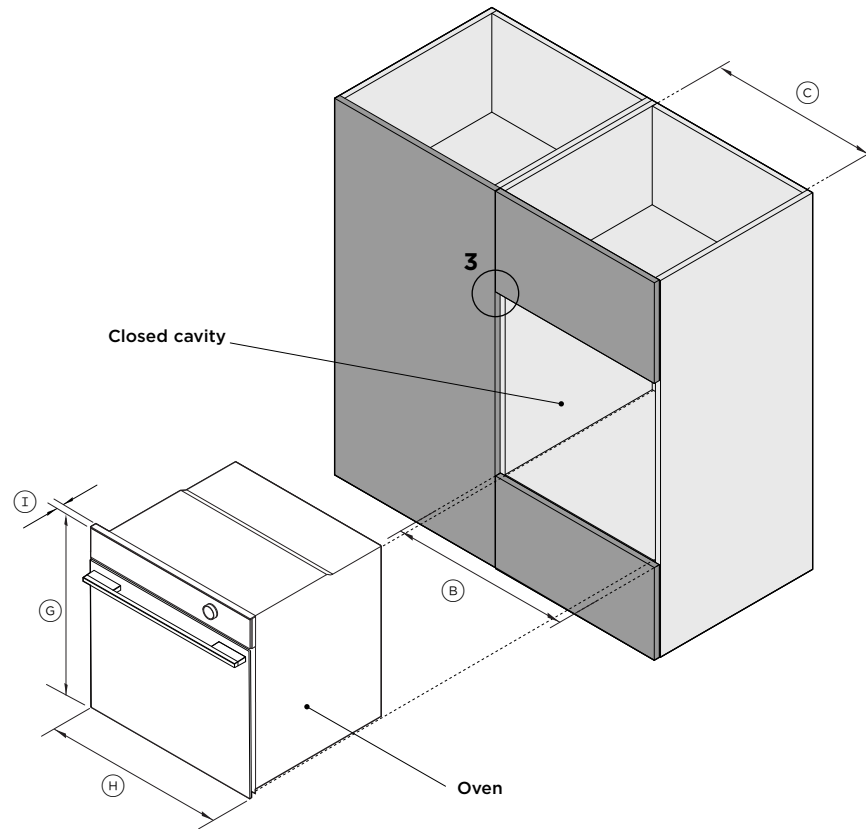
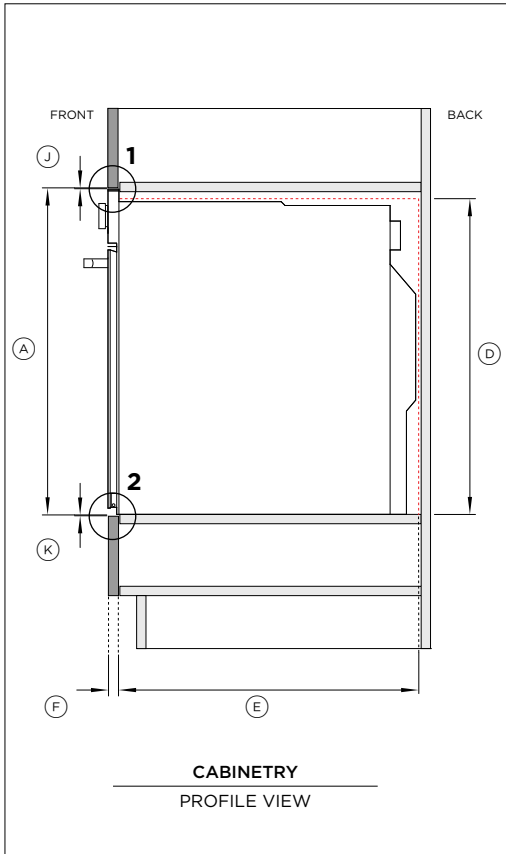
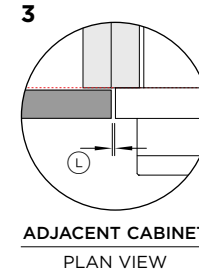
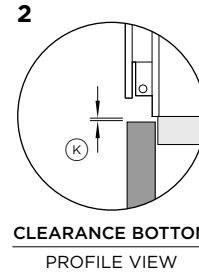
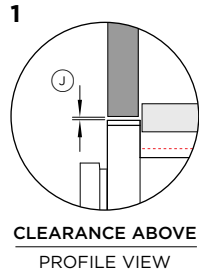
\*\*Warming Drawers and Vacuum Seal Drawers can fully support a 60cm Fisher & Paykel oven, without adding a shelf in between.

\*\*\*Includes coffee maker rail height

The models shown in this Planning Guide may not be available in all markets and are subject to change at any time. Product specifications may vary from those shown. This Planning Guide should not be used as installation guidance for any product. Further information is required to safely and correctly install the products featured here. Specific installation guidance will be available on our website [fisherpaykel.com](http://fisherpaykel.com)

**COOKTOP CLEARANCE**

If installing a cooktop above the oven, ensure adequate clearance is provided for the cooktop as per the cooktop manufacturer's instructions.



**Model no:**

Oven - OB60SMPTDB1, OB60SMPTDG1

| Cabinetry Dimensions - Flush           | mm    |
|--|-------|
| Ⓐ Overall cabinet height*              | 600   |
| Ⓑ Overall cabinet width                | 600   |
| Ⓒ Minimum inside width of cavity       | 560   |
| Ⓓ Minimum inside height of cavity      | 580   |
| Ⓔ Minimum inside depth of cavity       | 550   |
| Ⓕ Thickness of cabinetry front panel** | 16-20 |

\*Overall cabinet height is overall product height with minimum clearances above oven control panel to upper cabinetry front panel

\*\*Cabinetry shown in drawings 19mm panels. If the front panel is thinner than 20mm a rebate for the Oven is required to achieve a flush finish

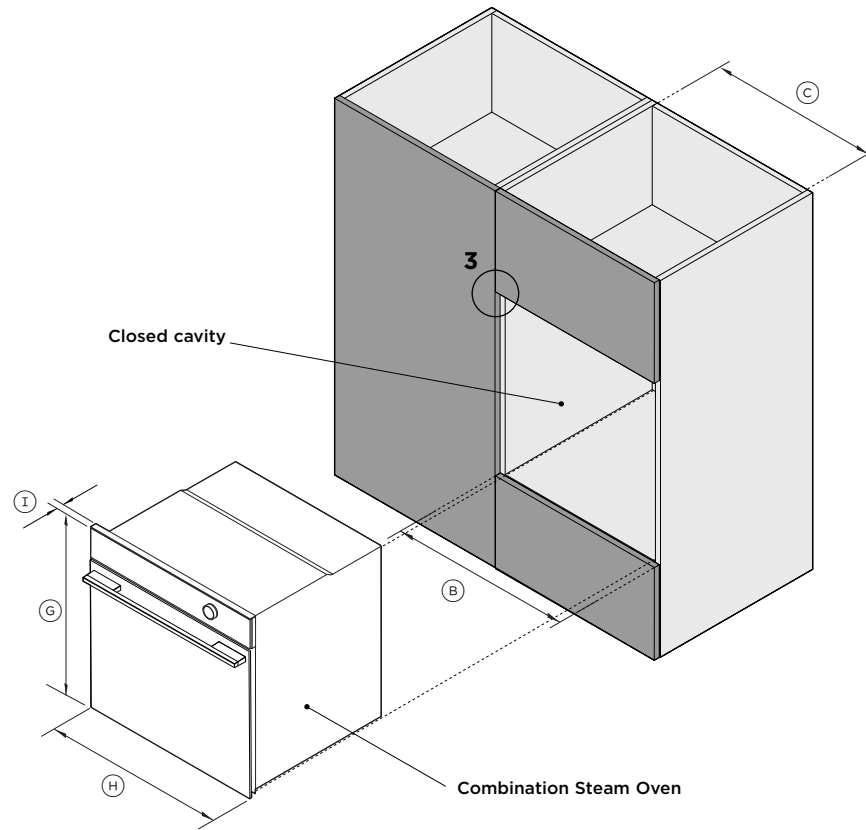
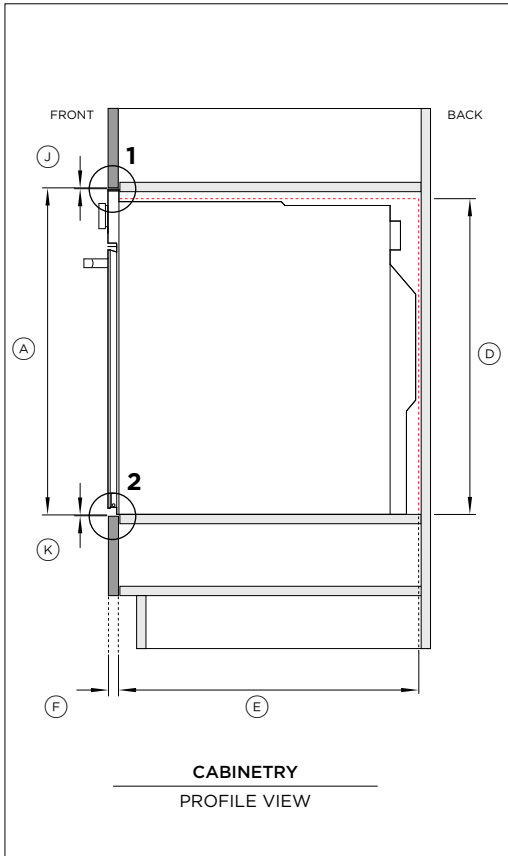
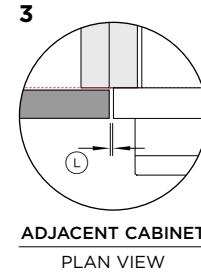
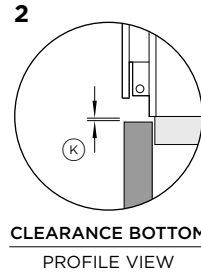
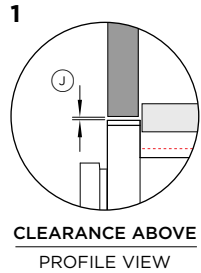
| Product Dimensions   | mm  |
|--|-----|
| Ⓒ Overall height of product                                | 598 |
| Ⓓ Overall width of product                                 | 596 |
| Ⓕ Thickness of oven front panel (excludes dial and handle) | 20  |

| Cabinetry Clearances   | mm |
|--|----|
| Ⓐ Minimum clearances above oven control panel to upper cabinetry front panel       | 2  |
| Ⓑ Minimum clearances between bottom of oven chassis to lower cabinetry front panel | 2  |
| Ⓕ Minimum clearance between adjacent front panel or appliance                      | 2  |

The models shown in this Planning Guide may not be available in all markets and are subject to change at any time. Product specifications may vary from those shown. This Planning Guide should not be used as installation guidance for any product. Further information is required to safely and correctly install the products featured here. Specific installation guidance will be available on our website [fisherpaykel.com](http://fisherpaykel.com)

**COOKTOP CLEARANCE**

If installing a cooktop above the oven, ensure adequate clearance is provided for the cooktop as per the cooktop manufacturer's instructions.



**Model no:**  
Combination Steam Oven - OS60SMTDB1, OS60SMTDG1

| Cabinetry Dimensions - Flush           | mm    |
|--|-------|
| Ⓐ Overall cabinet Height*              | 600   |
| Ⓑ Overall cabinet width                | 600   |
| Ⓒ Minimum inside width of cavity       | 560   |
| Ⓓ Minimum inside height of cavity      | 580   |
| Ⓔ Minimum inside depth of cavity       | 550   |
| Ⓕ Thickness of cabinetry front panel** | 16-20 |

\*Overall cabinet height is overall product height with minimum clearances above oven control panel to upper cabinetry front panel

\*\*Cabinetry shown in drawings 19mm panels. If the front panel is thinner than 20mm a rebate for the Oven is required to achieve a flush finish

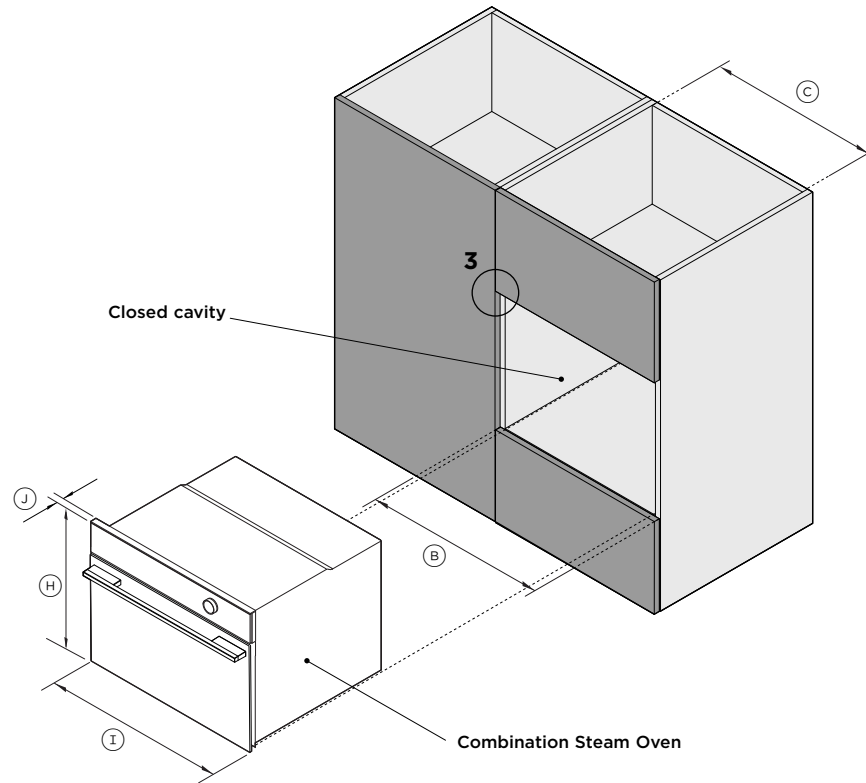
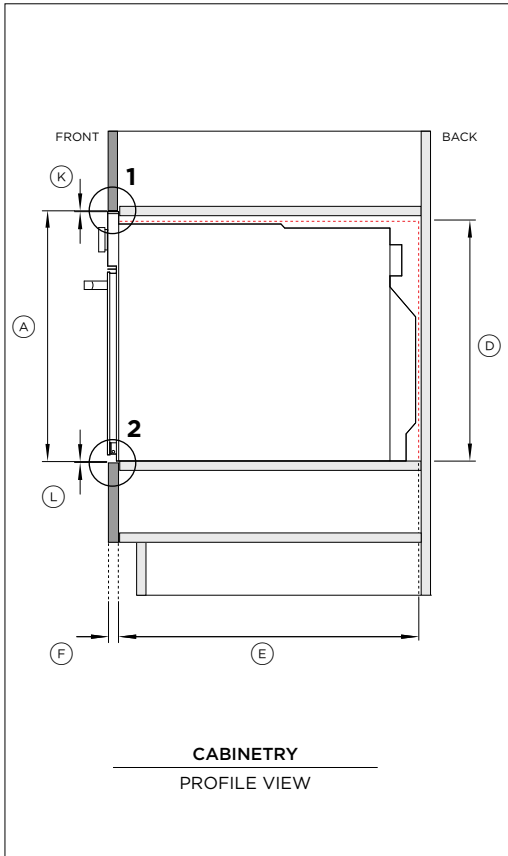
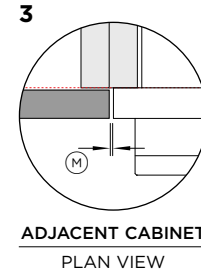
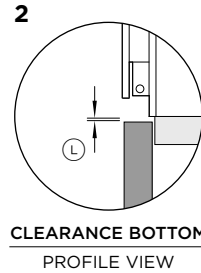
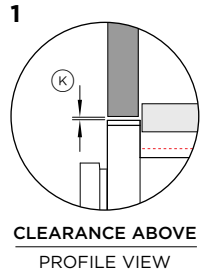
| Product Dimensions   | mm  |
|--|-----|
| Ⓖ Overall height of product                                | 598 |
| Ⓗ Overall width of product                                 | 596 |
| Ⓘ Thickness of oven front panel (excludes dial and handle) | 20  |

| Cabinetry Clearances   | mm |
|--|----|
| Ⓙ Minimum clearances above oven control panel to upper cabinetry front panel       | 2  |
| Ⓚ Minimum clearances between bottom of oven chassis to lower cabinetry front panel | 2  |
| Ⓛ Minimum clearance between adjacent front panel or appliance                      | 2  |

The models shown in this Planning Guide may not be available in all markets and are subject to change at any time. Product specifications may vary from those shown. This Planning Guide should not be used as installation guidance for any product. Further information is required to safely and correctly install the products featured here. Specific installation guidance will be available on our website [fisherpaykel.com](http://fisherpaykel.com)

**COOKTOP CLEARANCE**

If installing a cooktop above the oven, ensure adequate clearance is provided for the cooktop as per the cooktop manufacturer's instructions.



**Model no:**  
Combination Steam Oven - OS60NMTDB1, OS60NMTDG1

| Cabinetry Dimensions - Flush           | mm    |
|--|-------|
| Ⓐ Overall cabinet height*              | 460   |
| Ⓑ Overall cabinet width                | 600   |
| Ⓒ Minimum inside width of cavity***    | 560   |
| Ⓓ Minimum inside height of cavity      | 440   |
| Ⓔ Minimum inside depth of cavity       | 550   |
| Ⓕ Thickness of cabinetry front panel** | 16-20 |

\*Overall cabinet height is overall product height with minimum clearances above oven control panel to upper cabinetry front panel

\*\*Cabinetry shown in drawings 19mm panels. If the front panel is thinner than 20mm a rebate for the Oven is required to achieve a flush finish

| Product Dimensions   | mm  |
|--|-----|
| Ⓒ Overall height of product                                | 458 |
| Ⓓ Overall width of product                                 | 596 |
| Ⓕ Thickness of oven front panel (excludes dial and handle) | 20  |

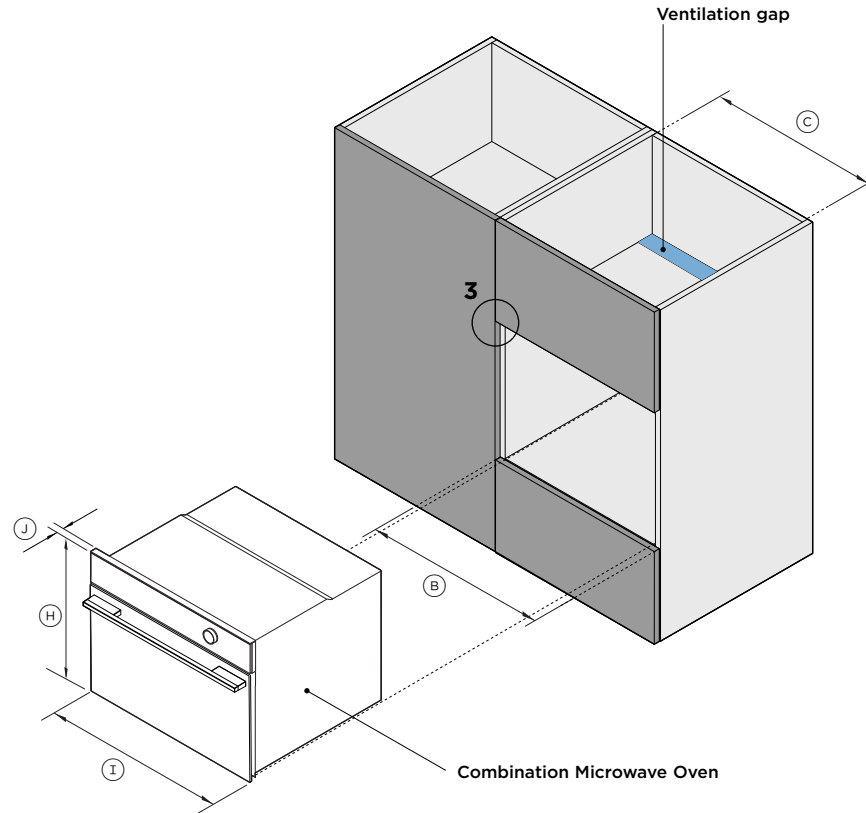
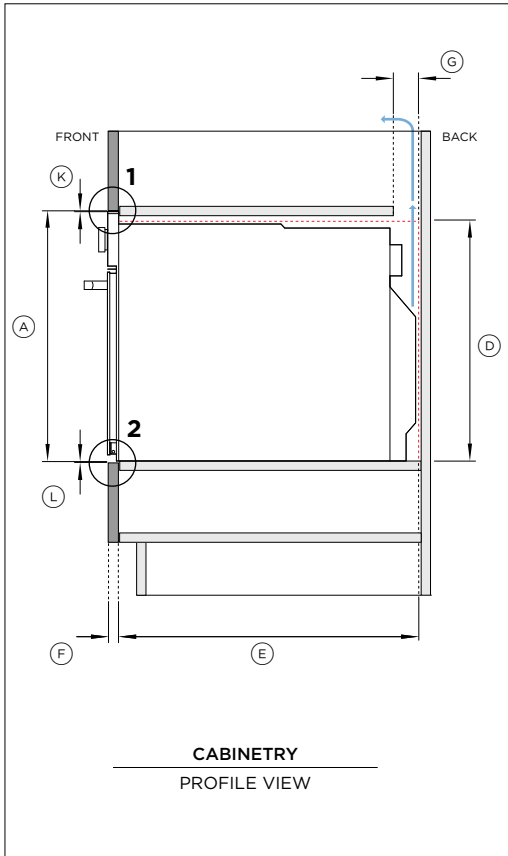
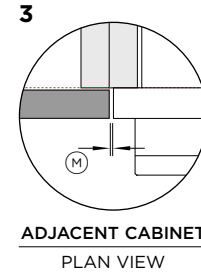
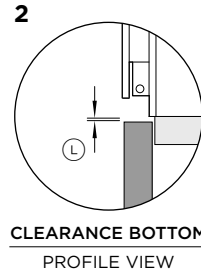
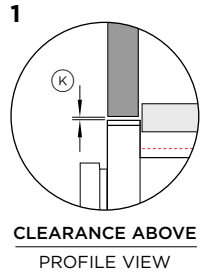
| Cabinetry Clearances   | mm |
|--|----|
| Ⓐ Minimum clearances above oven control panel to upper cabinetry front panel       | 2  |
| Ⓑ Minimum clearances between bottom of oven chassis to lower cabinetry front panel | 2  |
| Ⓒ Minimum clearance between adjacent front panel or appliance                      | 2  |

The models shown in this Planning Guide may not be available in all markets and are subject to change at any time. Product specifications may vary from those shown. This Planning Guide should not be used as installation guidance for any product. Further information is required to safely and correctly install the products featured here. Specific installation guidance will be available on our website [fisherpaykel.com](http://fisherpaykel.com)



**VENTILATION**

Ventilation of 50mm x 560mm or totalling 280cm<sup>2</sup> is required. The air vent must be located at the rear of cabinet, it can be positioned at the base, top, sides, or back.



**Model no:**

Combination Microwave Oven - OM60NMTDB1, OM60NMTDG1

| Cabinetry Dimensions - Flush           | mm    |
|--|-------|
| Ⓐ Overall cabinet height*              | 460   |
| Ⓑ Overall cabinet width                | 600   |
| Ⓒ Minimum inside width of cavity**     | 560   |
| Ⓓ Minimum inside height of cavity      | 440   |
| Ⓔ Minimum inside depth of cavity       | 550   |
| Ⓕ Thickness of cabinetry front panel** | 16-20 |
| Ⓖ Ventilation gap***                   | 50    |

\*Overall cabinet height is overall product height with minimum clearances above oven control panel to upper cabinetry front panel

\*\*Cabinetry shown in drawings 19mm panels. If the front panel is thinner than 20mm a rebate for the Oven is required to achieve a flush finish

\*\*\*Ventilation of 50mm x 560mm or totalling 280cm<sup>2</sup> is required. The air vent must be located at the rear of cabinet, it can be positioned at the base, top, sides, or back

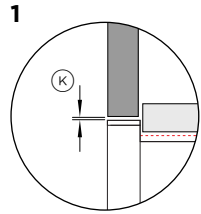
| Product Dimensions   | mm  |
|--|-----|
| Ⓐ Overall height of product                                | 458 |
| Ⓐ Overall width of product                                 | 596 |
| Ⓕ Thickness of oven front panel (excludes dial and handle) | 20  |

| Cabinetry Clearances   | mm |
|--|----|
| Ⓕ Minimum clearances above oven control panel to upper cabinetry front panel       | 2  |
| Ⓖ Minimum clearances between bottom of oven chassis to lower cabinetry front panel | 2  |
| Ⓗ Minimum clearance between adjacent front panel or appliance                      | 2  |

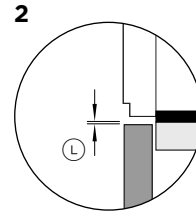
The models shown in this Planning Guide may not be available in all markets and are subject to change at any time. Product specifications may vary from those shown. This Planning Guide should not be used as installation guidance for any product. Further information is required to safely and correctly install the products featured here. Specific installation guidance will be available on our website fisherpaykel.com

**VENTILATION**

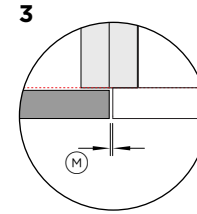
Ventilation of 50mm x 560mm or totalling 280cm<sup>2</sup> is required. The air vent must be located at the rear of cabinet, it can be positioned at the base, top, sides, or back.



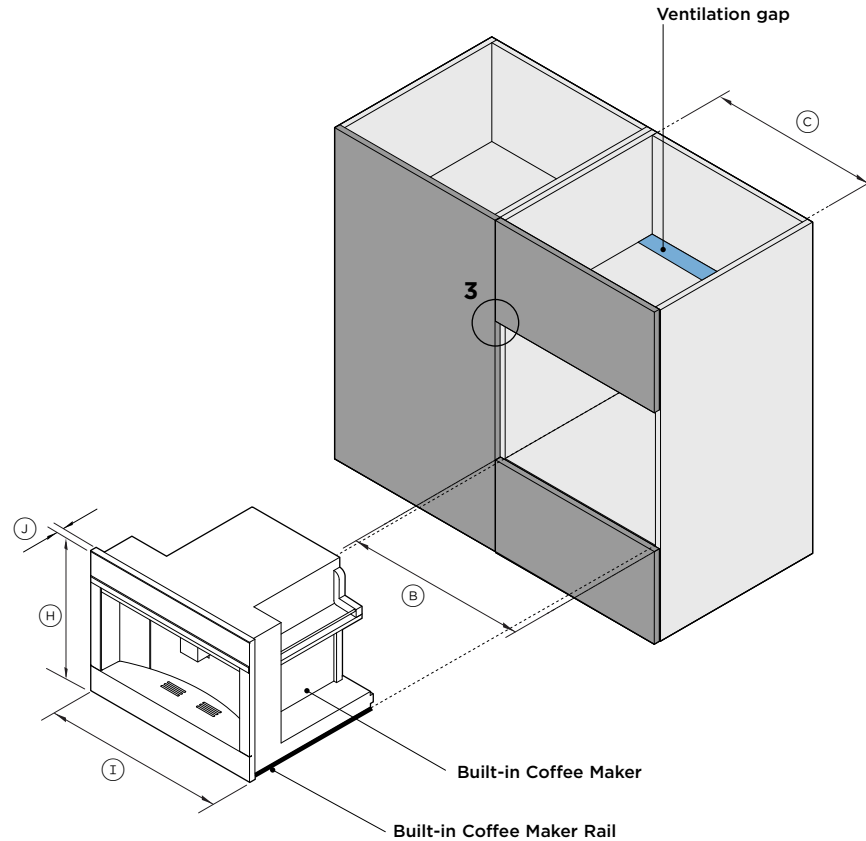
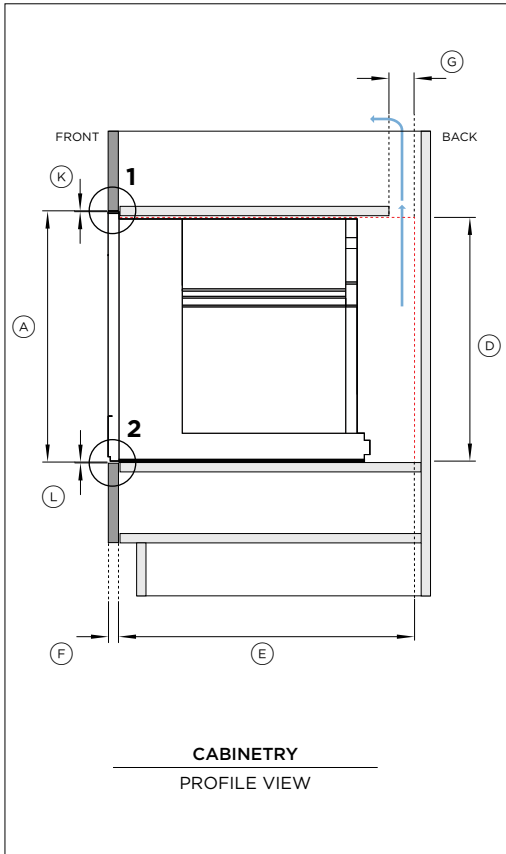
**1**  
**CLEARANCE ABOVE**  
PROFILE VIEW



**2**  
**CLEARANCE BOTTOM**  
PROFILE VIEW



**3**  
**ADJACENT CABINET**  
PLAN VIEW



**Model no:**

Built-in Coffee Maker - EB60MSB1, EB60MSG1

**Cabinetry Dimensions - Flush**

|  | mm    |
|--|-------|
| Ⓐ Overall cabinet height*              | 460   |
| Ⓑ Overall cabinet width                | 600   |
| Ⓒ Minimum inside width of cavity**     | 560   |
| Ⓓ Minimum inside height of cavity      | 450   |
| Ⓔ Minimum inside depth of cavity       | 545   |
| Ⓕ Thickness of cabinetry front panel** | 16-20 |
| Ⓖ Ventilation gap***                   | 50    |

\*Overall cabinet height is overall product height with minimum clearances above coffee maker control panel to upper cabinetry front panel

\*\*Cabinetry shown in drawings 19mm panels. If the front panel is thinner than 20mm a rebate for the coffee maker is required to achieve a flush finish

\*\*\*Ventilation of 50mm x 560mm or totalling 280cm<sup>2</sup> is required. The air vent must be located at the rear of cabinet, it can be positioned at the base, top, sides, or back

**Product Dimensions**

|   | mm  |
|---|-----|
| Ⓐ Overall height of product               | 458 |
| Ⓘ Overall width of product                | 596 |
| Ⓙ Thickness of coffee maker control panel | 20  |

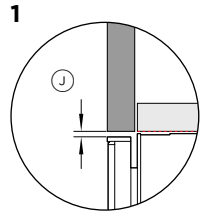
**Cabinetry Clearances**

|  | mm |
|--|----|
| Ⓚ Minimum clearances above coffee maker control panel to upper cabinetry front panel     | 2  |
| Ⓛ Minimum clearances between bottom of coffee maker rails to lower cabinetry front panel | 2  |
| Ⓜ Minimum clearance between adjacent front panel or appliance                            | 2  |

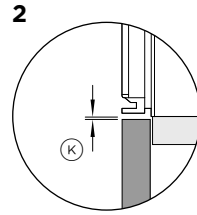
The models shown in this Planning Guide may not be available in all markets and are subject to change at any time. Product specifications may vary from those shown. This Planning Guide should not be used as installation guidance for any product. Further information is required to safely and correctly install the products featured here. Specific installation guidance will be available on our website [fisherpaykel.com](http://fisherpaykel.com)

**NOTE**

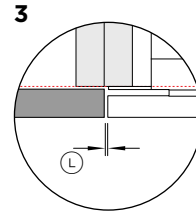
The Warming Drawer can fully support a 60cm Fisher & Paykel oven, without adding a shelf in between.



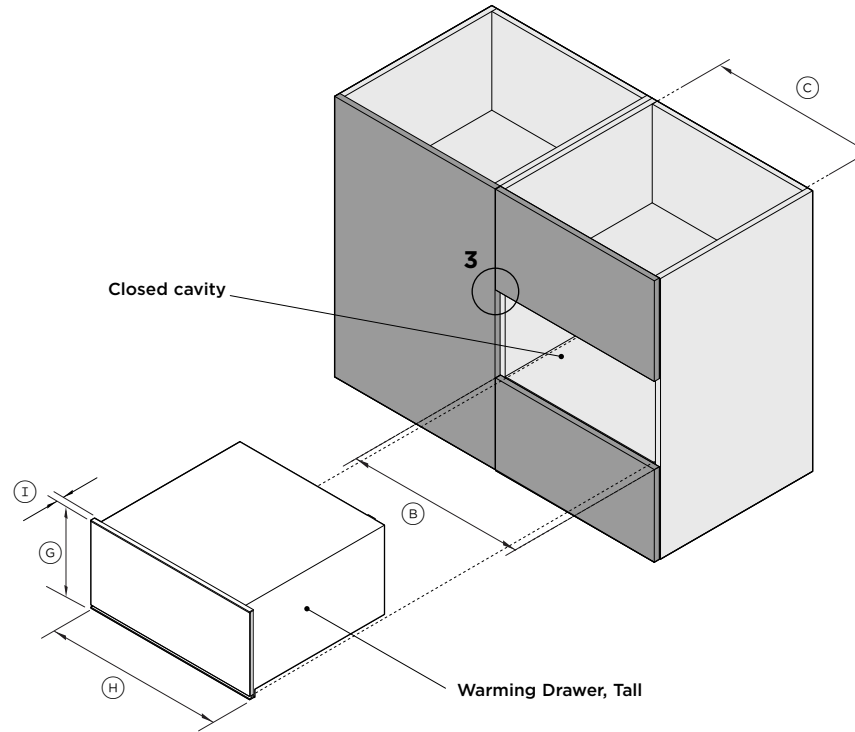
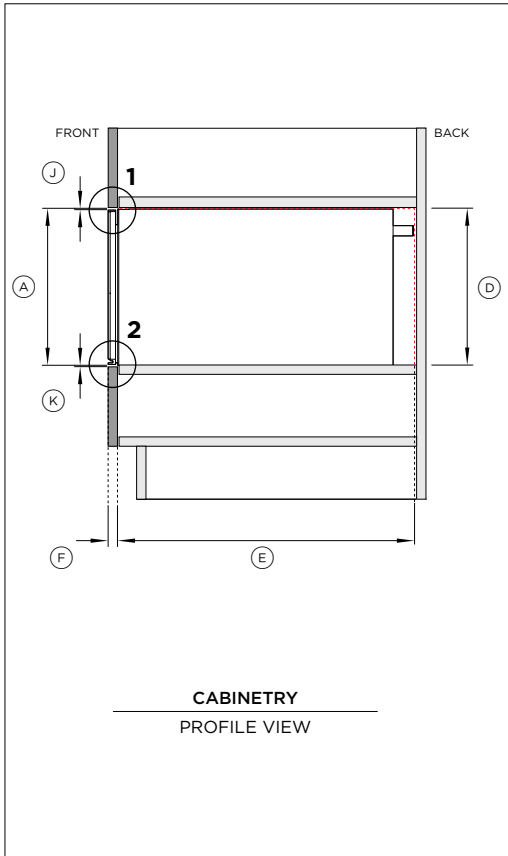
**1**  
**CLEARANCE ABOVE**  
PROFILE VIEW



**2**  
**CLEARANCE BOTTOM**  
PROFILE VIEW



**3**  
**ADJACENT CABINET**  
PLAN VIEW



**Model no:**

Warming Drawer, Tall - WB60SMTB1-SET

**Cabinetry Dimensions - Flush**

|  | <b>mm</b> |
|--|-----------|
| Ⓐ Overall cabinet height*              | 294       |
| Ⓑ Overall cabinet width                | 600       |
| Ⓒ Minimum inside width of cavity       | 560       |
| Ⓓ Minimum inside height of cavity      | 292       |
| Ⓔ Minimum inside depth of cavity       | 550       |
| Ⓕ Thickness of cabinetry front panel** | 16-20     |

\*Overall cabinet height is overall product height with minimum clearances above drawer front panel to upper cabinetry front panel

\*\*Cabinetry shown in drawings 19mm panels. If the front panel is thinner than 20mm a rebate for the warming drawer is required to achieve a flush finish

**Product Dimensions**

|  | <b>mm</b> |
|--|-----------|
| Ⓐ Overall height of product                          | 290       |
| Ⓑ Overall width of product                           | 596       |
| Ⓘ Thickness of warming drawer front panel and flange | 20        |

**Cabinetry Clearances**

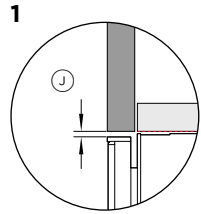
|  | <b>mm</b> |
|--|-----------|
| Ⓐ Minimum clearances above drawer front panel to upper cabinetry front panel*        | 4         |
| Ⓚ Minimum clearances between bottom of drawer chassis to lower cabinetry front panel | 2         |
| Ⓛ Minimum clearance between adjacent front panel or appliance                        | 2         |

\*Achieve a smaller gap between drawer front panel to upper cabinetry front panel by dropping cabinetry front panel down

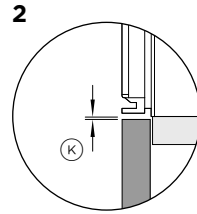
The models shown in this Planning Guide may not be available in all markets and are subject to change at any time. Product specifications may vary from those shown. This Planning Guide should not be used as installation guidance for any product. Further information is required to safely and correctly install the products featured here. Specific installation guidance will be available on our website [fisherpaykel.com](http://fisherpaykel.com)

**NOTE**

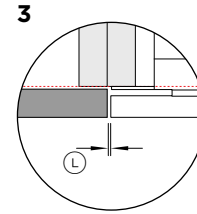
The Warming Drawer can fully support a 60cm Fisher & Paykel oven, without adding a shelf in between.



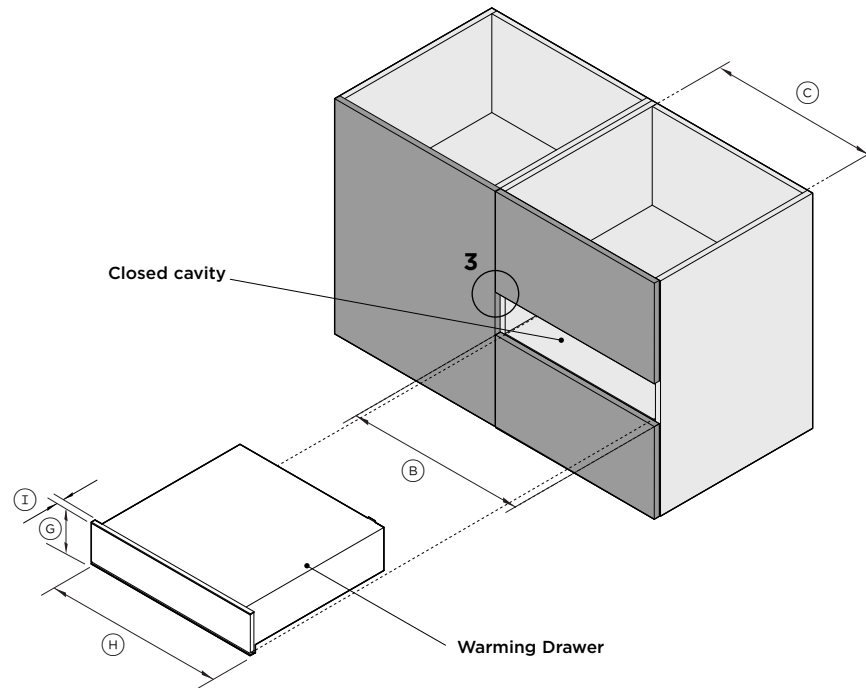
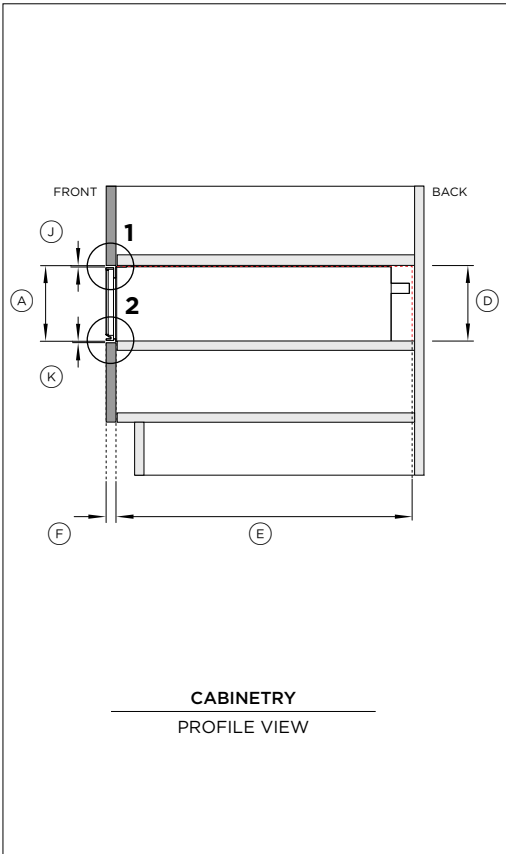
**1**  
**CLEARANCE ABOVE**  
PROFILE VIEW



**2**  
**CLEARANCE BOTTOM**  
PROFILE VIEW



**3**  
**ADJACENT CABINET**  
PLAN VIEW



**Model no:**

Warming Drawer - WB60SMB1-SET, WB60SMG1-SET

**Cabinetry Dimensions - Flush**

|  | mm    |
|--|-------|
| Ⓐ Overall cabinet height*              | 144   |
| Ⓑ Overall cabinet width                | 600   |
| Ⓒ Minimum inside width of cavity       | 560   |
| Ⓓ Minimum inside height of cavity      | 142   |
| Ⓔ Minimum inside depth of cavity       | 550   |
| Ⓕ Thickness of cabinetry front panel** | 16-20 |

\*Overall cabinet height is overall product height with minimum clearances above drawer front panel to upper cabinetry front panel

\*\*Cabinetry shown in drawings 19mm panels. If the front panel is thinner than 20mm a rebate for the warming drawer is required to achieve a flush finish

**Product Dimensions**

|  | mm  |
|--|-----|
| Ⓐ Overall height of product                          | 140 |
| Ⓑ Overall width of product                           | 596 |
| Ⓘ Thickness of warming drawer front panel and flange | 20  |

**Cabinetry Clearances**

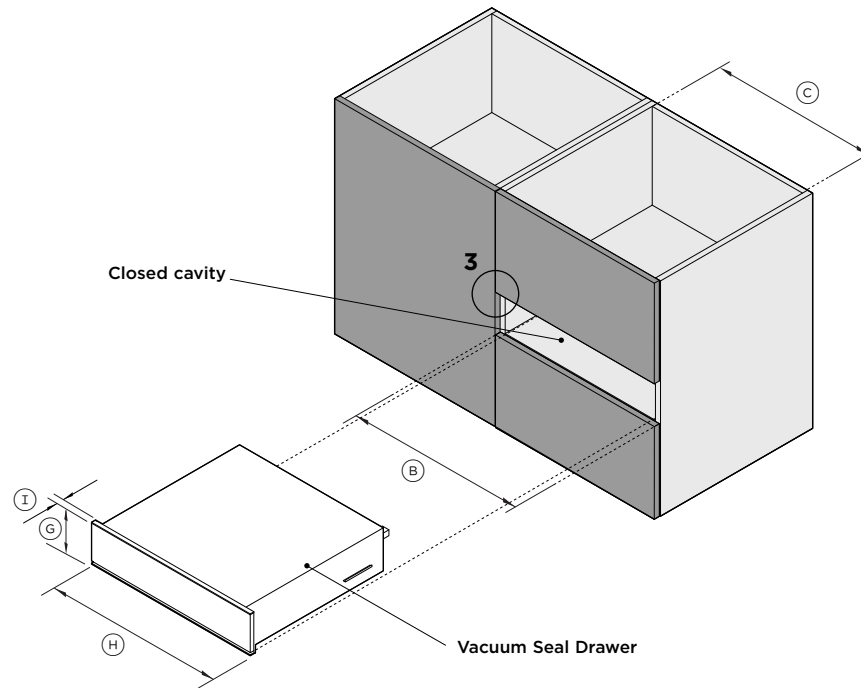
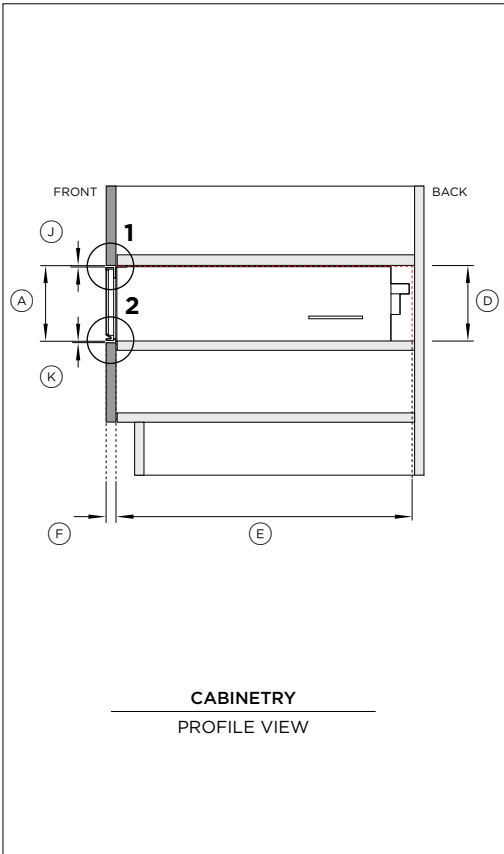
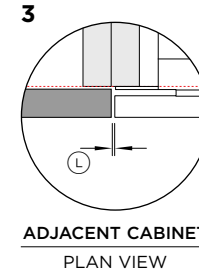
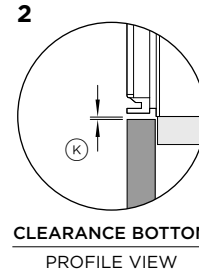
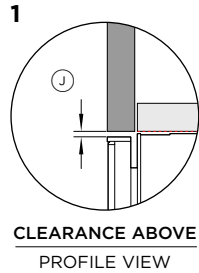
|  | mm |
|--|----|
| Ⓐ Minimum clearances above drawer front panel to upper cabinetry front panel*        | 4  |
| Ⓚ Minimum clearances between bottom of drawer chassis to lower cabinetry front panel | 2  |
| Ⓛ Minimum clearance between adjacent front panel or appliance                        | 2  |

\*Achieve a smaller gap between drawer front panel to upper cabinetry front panel by dropping cabinetry front panel down

The models shown in this Planning Guide may not be available in all markets and are subject to change at any time. Product specifications may vary from those shown. This Planning Guide should not be used as installation guidance for any product. Further information is required to safely and correctly install the products featured here. Specific installation guidance will be available on our website [fisherpaykel.com](http://fisherpaykel.com)

**NOTE**

The Vacuum Seal Drawer can fully support a 60cm Fisher & Paykel oven, without adding a shelf in between.



**Model no:**

Vacuum Seal Drawer - VB60SMB1-SET, VB60SMG1-SET

| <b>Cabinetry Dimensions - Flush</b>    | <b>mm</b> |
|--|-----------|
| Ⓐ Overall cabinet height*              | 144       |
| Ⓑ Overall cabinet width                | 600       |
| Ⓒ Minimum inside width of cavity       | 560       |
| Ⓓ Minimum inside height of cavity      | 142       |
| Ⓔ Minimum inside depth of cavity       | 550       |
| Ⓕ Thickness of cabinetry front panel** | 16-20     |

\*Overall cabinet height is overall product height with minimum clearances above drawer front panel to upper cabinetry front panel

\*\*Cabinetry shown in drawings 19mm panels. If the front panel is thinner than 20mm a rebate for the vacuum seal drawer is required to achieve a flush finish

| <b>Product Dimensions</b>                                | <b>mm</b> |
|--|-----------|
| Ⓒ Overall height of product                              | 140       |
| Ⓓ Overall width of product                               | 596       |
| Ⓕ Thickness of vacuum seal drawer front panel and flange | 20        |

| <b>Cabinetry Clearances</b>  | <b>mm</b> |
|--|-----------|
| Ⓐ Minimum clearances above drawer front panel to upper cabinetry front panel*        | 4         |
| Ⓑ Minimum clearances between bottom of drawer chassis to lower cabinetry front panel | 2         |
| Ⓒ Minimum clearance between adjacent front panel or appliance                        | 2         |

\*Achieve a smaller gap between drawer front panel to upper cabinetry front panel by dropping cabinetry front panel down

The models shown in this Planning Guide may not be available in all markets and are subject to change at any time. Product specifications may vary from those shown. This Planning Guide should not be used as installation guidance for any product. Further information is required to safely and correctly install the products featured here. Specific installation guidance will be available on our website [fisherpaykel.com](http://fisherpaykel.com)

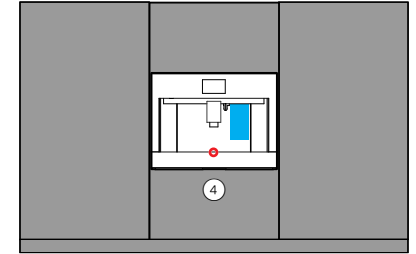
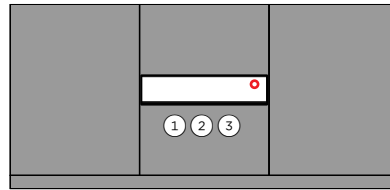
## SERVICES

# SERVICES | POWER CORD LENGTH AND LOCATION

VB60SMB1-SET, VB60SMG1-SET,  
WB60SMB1-SET, WB60SMG1-SET, WB60SMTB1-SET,  
EB60MSB1, EB60MSG1

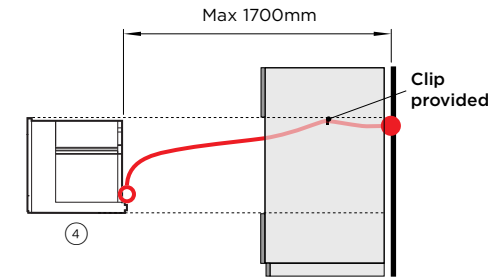
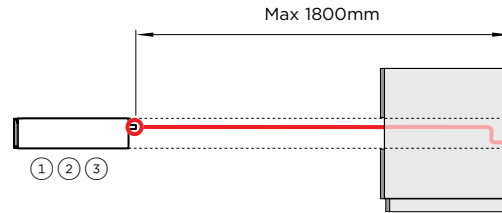
## CONNECTION



Connections may be located in an adjacent cabinet to either side of the appliance. Ensure power will remain accessible following install to allow access for any future product maintenance.



## BUILT-IN COFFEE MAKER

The power cable must be long enough to allow the appliance to be extracted from the cabinet to fill the coffee bean container. Fix the power cable with the clip.



-  Power Cable
-  Water Tank

① **VACUUM SEAL DRAWER**  
VB60SMB1-SET  
VB60SMG1-SET

② **WARMING DRAWER**  
WB60SMB1-SET  
WB60SMG1-SET

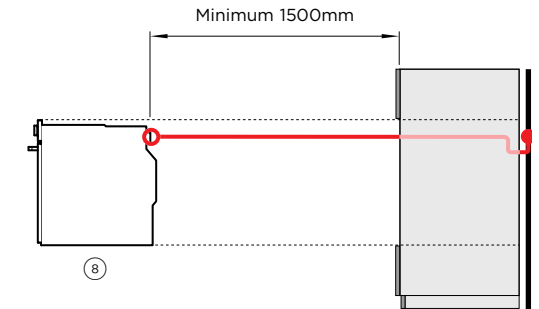
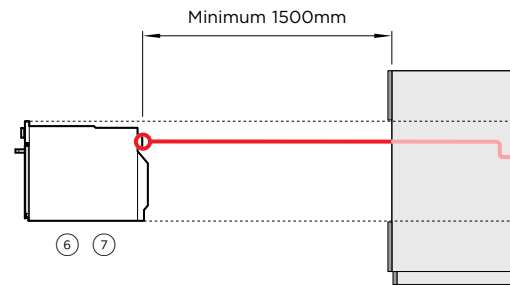
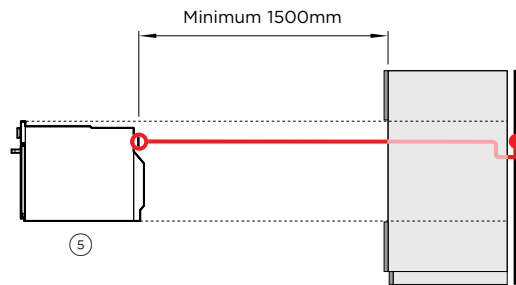
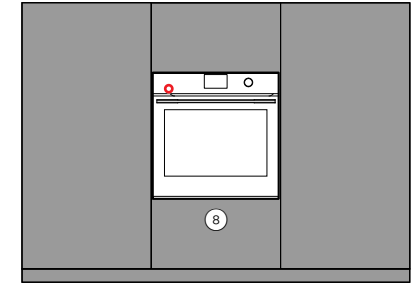
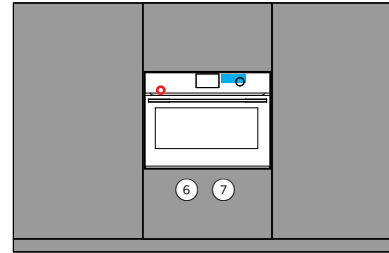
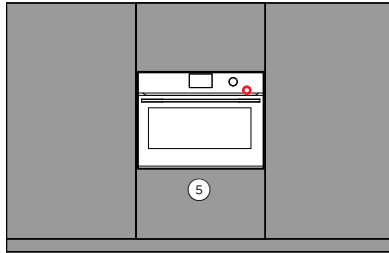
③ **WARMING DRAWER TALL**  
WB60SMTB1-SET

④ **BUILT-IN COFFEE MAKER**  
EB60MSB1  
EB60MSG1

|                             | ① VACUUM SEAL DRAWER<br>VB60SMB1-SET<br>VB60SMG1-SET | ② WARMING DRAWER<br>WB60SMB1-SET<br>WB60SMG1-SET | ③ WARMING DRAWER TALL<br>WB60SMTB1-SET | ④ BUILT-IN COFFEE MAKER<br>EB60MSB1<br>EB60MSG1 |
|-----------------------------|--|--|--|---|
| <b>POWER CORD</b>           |  |  |  |   |
| Maximum power cord length*  | 1800mm   | 1800mm   | 1800mm                                 | 1700mm  |
| Location                    | Upper right  | Upper right                                      | Upper right                            | Lower centered                                  |
| Connection                  | Flex cord  | Flex cord  | Flex cord                              | Flex cord                                       |
| *Measured from power outlet |  |  |  |   |
| <b>WATER</b>                |  |  |  |   |
| Total Capacity              | -  | -  | -                                      | 2.4L  |
| Location                    | -  | -  | -                                      | Water tank (internal)                           |
| <b>ELECTRICAL</b>           |  |  |  |   |
| Supply                      | 220-240 V, 50 Hz                                     | 220-240 V, 50 Hz                                 | 220-240 V, 50 Hz                       | 220-240 V, 50 Hz                                |
| Service                     | 10 A   | 10 A   | 10 A                                   | 20 A  |

Note: Multiple product installation requires the design of power outlets according to local regulations.

The models shown in this Planning Guide may not be available in all markets and are subject to change at any time. Product specifications may vary from those shown. This Planning Guide should not be used as installation guidance for any product. Further information is required to safely and correctly install the products featured here. Specific installation guidance will be available on our website [fisherpaykel.com](http://fisherpaykel.com)



- Power Cable
- Water Tank

⑤ **COMBINATION MICROWAVE OVEN**  
OM60NMTDB1  
OM60NMTDG1

⑥ **COMBINATION STEAM OVEN**  
OS60NMTDB1  
OS60NMTDG1

⑦ **COMBINATION STEAMOVEN**  
OS60SMTDB1  
OS60SMTDG1

⑧ **OVEN**  
OB60SMPTDB1  
OB60SMPTDG1

**POWER CORD**

|                        |                 |                 |                 |                 |
|------------------------|-----------------|-----------------|-----------------|-----------------|
| Power cord free length | Minimum 1500mm* | Minimum 1500mm* | Minimum 1500mm* | Minimum 1500mm* |
| Location               | Upper right     | Upper left      | Upper left      | Upper left      |
| Connection             | Hard wire**     | Hard wire**     | Hard wire**     | Hard wire**     |

\*The electrician provides sufficient free length of power supply cable to reach from the bottom rear of the cavity to at least 1.5m in front of the bottom edge of the opening  
\*\*For more information, refer to the Installation Guide. Ensure power will remain accessible following install to allow access for any future product maintenance.

**WATER**

|                |   |                       |                       |   |
|----------------|---|-----------------------|-----------------------|---|
| Total Capacity | - | 1.4L                  | 1.4L                  | - |
| Location       | - | Water tank (internal) | Water tank (internal) | - |

**ELECTRICAL**

|         |                  |                  |                  |                  |
|---------|------------------|------------------|------------------|------------------|
| Supply  | 220-240 V, 50 Hz | 220-240 V, 50 Hz | 220-240 V, 50 Hz | 220-240 V, 50 Hz |
| Service | 20 A             | 20 A             | 20 A             | 20 A             |

Note: Multiple product installation requires the design of power outlets according to local regulations.

The models shown in this Planning Guide may not be available in all markets and are subject to change at any time. Product specifications may vary from those shown. This Planning Guide should not be used as installation guidance for any product. Further information is required to safely and correctly install the products featured here. Specific installation guidance will be available on our website [fisherpaykel.com](http://fisherpaykel.com)



