

Oven, 60cm, 6 Function

Series 5 | Contemporary

Stainless Steel

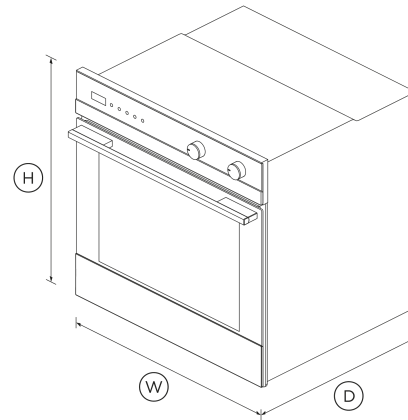


With generous capacity and beautiful contemporary styling, this built-in oven will complement your kitchen design perfectly.

- 85L total capacity
- Six oven functions including Pizza Bake
- Optional non-tip, full-extension shelves for safe removal of hot dishes

DIMENSIONS

Height	598 mm
Width	596 mm
Depth	565 mm



FEATURES & BENEFITS

Multi-Function Flexibility

Six functions including Pizza Bake, Fan Bake and Fan Grill mean no matter what you're cooking, you've got the right heat to match.

Generous Capacity

With a generous sized internal cavity of 85L total capacity, you can create several dishes at once using multiple shelves.

Even Cooking

AeroTech™ technology circulates heat evenly, ensuring consistent cooking across multiple oven shelves.

Fast And Easy Cleaning

Cleaning this built-in oven is quick and easy thanks to the optional catalytic liners which absorb oil and fat splashes during cooking.

Refined Styling

With sophisticated handle styling and stainless steel finish, our built-in ovens are designed to match the rest of Fisher & Paykel's kitchen appliance family.

Safe And Sound

The CoolTouch door features triple glazing and a cooling system that ensures it's safe to touch from the outside - protecting both your hands and the surrounding cabinetry.

SPECIFICATIONS

Accessories (included)

Chromed shelf runners	•
Full extension sliding shelves	1 set
Roasting dish	1
Step down wire shelf	1

Accessories (sold separately)

Optional Accessory round handle	Part 81645
Optional catalytic panels	Part 562816

Capacity

Shelf positions	6
Total capacity	85 L
Usable capacity	72 L

Cleaning

- Acid resistant graphite enamel
- Removable oven door
- Removable oven door inner glass
- Removable shelf runners

Controls

- Automatic cooking/minute timer
- Electronic clock

Functions

- Bake
- Fan bake
- Fan forced
- Fan grill
- Grill
- Number of functions **6**
- Pizza bake

Performance

- AeroTech™ technology
- Grill power **3200 W**
- Whisper quiet cooking

Power requirements

- Amperage **15 A**
- Supply frequency **50 Hz**

Supply voltage **220 - 240 V**

Product dimensions

Depth **565 mm**
 Height **598 mm**
 Width **596 mm**

Safety

- Balanced oven door
- CoolTouch door
- Non-tip shelves

SKU **81745**

The product dimensions and specifications in this page apply to the specific product and model. Under our policy of continuous improvement, these dimensions and specifications may change at any time. You should therefore check with Fisher & Paykel's Customer Care Centre to ensure this page correctly describes the model currently available. © Fisher & Paykel Appliances Ltd 2020

Other product downloads available at fisherpaykel.com

- [↓](#) 2D-DWG Oven
- [↓](#) 2D-DXF Oven
- [↓](#) Data Sheet Oven
- [↓](#) Service & Warranty
- [↓](#) Installation Guide Built-In Oven

Where applicable:

All appliances use energy, and energy usage typically generates carbon emissions. **Fisher & Paykel Appliances' In-use Energy Carbon Emissions Estimate** indicates carbon emissions from a product's in-use energy. This is calculated either annually or per cycle, using the product's market-specific energy label energy consumption data multiplied by the carbon emissions factor for energy in your country or region.

Our In-use Energy Carbon Emissions Estimate is designed to assist customers in making informed purchasing decisions when comparing different Fisher & Paykel products. For example, a heat pump dryer typically has a lower In-use Energy Carbon Emissions Estimate than a vented dryer.



A PEACE OF MIND SALE
24 Hours 7 Days a Week Customer Support
 T 0800 372 273 W www.fisherpaykel.com