

Front Loader Washing Machine, 9kg

Series 3 | Front Load

White

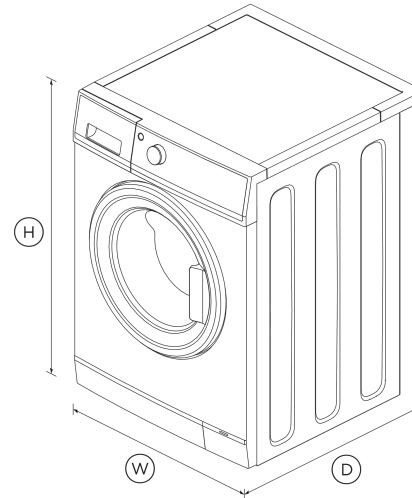


This front loader cares for all kinds of fabrics, with a cycle for everything from delicates to bulky items.

- Nine wash cycles including Quick 30, Delicate and Heavy
- 4.5-star water and 4-star energy rating
- Vortex Wash helps deliver a 30 minute Quick cycle without compromising fabric care
- Delivers a quiet, reliable wash with its unique cushion drum design powered by SmartDrive™ technology

DIMENSIONS

Height	850 mm
Width	600 mm
Depth	655 mm



FEATURES & BENEFITS

Nine Fabric Care Cycles

Featuring nine specially-developed wash cycles to care for your clothes, this machine has a cycle to suit every load type from Heavy to Delicate.

Easy To Use

This washing machine features an intuitive control panel, where you can easily select your preferred cycle and wash boost options, which include Rinse+ and Pre Wash.

A Smarter, Quieter Motor

SmartDrive™ Technology is a gentle, quiet, and efficient combination of smart electronics and a direct drive motor that senses the load to deliver better fabric care.

Quick Cycles

When time is short, you can select a quick 30-minute wash without compromising cleaning and fabric care. Vortex Wash allows most cycles to take less than one hour to complete.

Saves Water And Energy

With a 4.5 star water rating and 4 star energy rating, our 9kg washing machine handles large loads while keeping water and power usage to a minimum.

SPECIFICATIONS

Capacity

Capacity **9 kg**

Consumption

Energy rating	4 star
Energy usage	340kWh/year
In-use energy carbon emissions estimate	46.0kgCO2e/year
Water consumption per cycle	77L
Water rating	4.5 star (WELS)

Features

- Anti-fungal door gasket
- Auto out of balance correction
- Child/Keylock
- Delay start

Extra rinse option	•
Flood protection	•
No Spin / Spin hold	•
Pre Wash	•
SmartTouch™ control dial	•
Stainless steel drum	•
Water temperature controls	5

Easy Iron	•
Everyday	•
Heavy	•
Number of wash cycles	9
Quick 30	•
Rinse	•
Spin	•

All appliances use energy, and energy usage typically generates carbon emissions. **Fisher & Paykel Appliances' In-use Energy Carbon Emissions Estimate** indicates carbon emissions from a product's in-use energy. This is calculated either annually or per cycle, using the product's market-specific energy label energy consumption data multiplied by the carbon emissions factor for energy in your country or region.

Our In-use Energy Carbon Emissions Estimate is designed to assist customers in making informed purchasing decisions when comparing different Fisher & Paykel products. For example, a heat pump dryer typically has a lower In-use Energy Carbon Emissions Estimate than a vented dryer.

Performance

Maximum spin speed	1200 rpm
Number of spin speeds	3
SmartDrive™ technology	•
Vortex wash	•

SKU 92275

The product dimensions and specifications in this page apply to the specific product and model. Under our policy of continuous improvement, these dimensions and specifications may change at any time. You should therefore check with Fisher & Paykel's Customer Care Centre to ensure this page correctly describes the model currently available. © Fisher & Paykel Appliances Ltd 2020



A PEACE OF MIND SALE
24 Hours 7 Days a Week Customer Support
 T 0800 372 273 W www.fisherpaykel.com

Product dimensions

Depth	655 mm
Height	850 mm
Width	600 mm

Other product downloads available at fisherpaykel.com

- [↓ Energy & Water Label](#)
- [↓ Service & Warranty](#)
- [↓ Installation Guide](#)
- [↓ User Guide](#)

Warranty

Parts and labour	2 years
Parts only direct drive motor	8 years

Where applicable:

Wash Cycles

Cottons	•
Delicate	•
Drum Clean	•