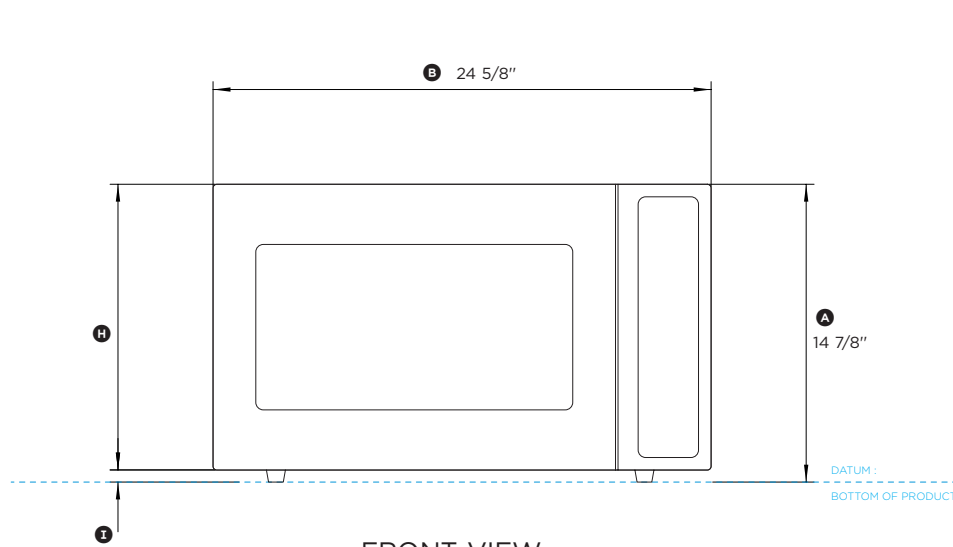
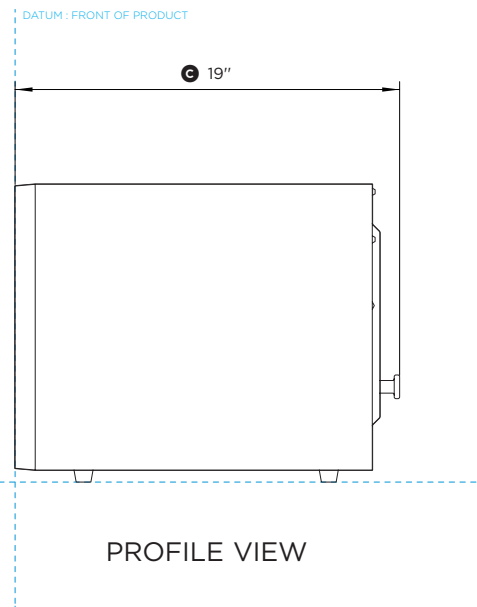


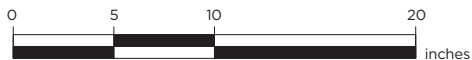
PLAN VIEW



FRONT VIEW



PROFILE VIEW



Model no:

CMO24SS2 (refer page 2 for metric measurements)

Product Dimensions	in
Ⓐ Overall height of microwave	14 7/8"
Ⓑ Overall width of microwave	24 5/8"
Ⓒ Overall depth of microwave (from front of panel to back)	19"
Ⓓ Depth of front panel	1"
Ⓔ Depth of chassis	16 3/4"
Ⓕ Width of door	19 7/8"
Ⓖ Width of control panel	4 5/8"
Ⓜ Height of chassis	14 1/4"
Ⓨ Height from bottom of chassis to bottom of product	5/8"

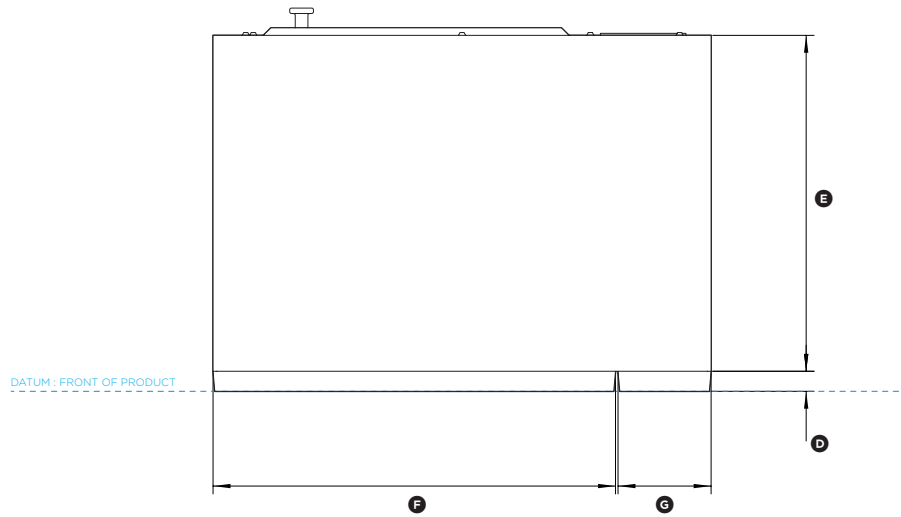
Cavity Dimensions	in
Overall height of cavity	16 7/8"
Overall width of cavity	28 3/4"
Overall depth of cavity	min 21"

INDICATES PRODUCT / CABINETRY DATUM -----

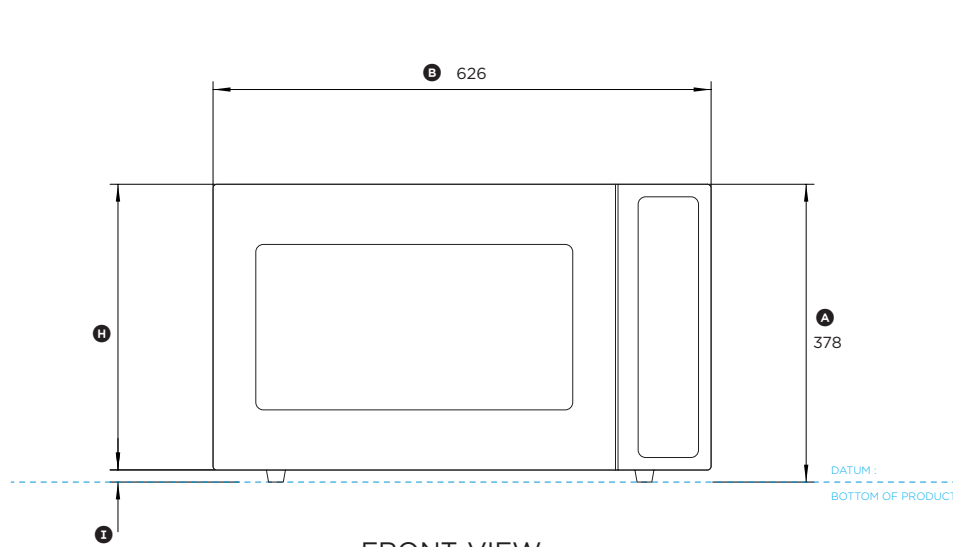
DATE: **21.10.2024**

90001511C

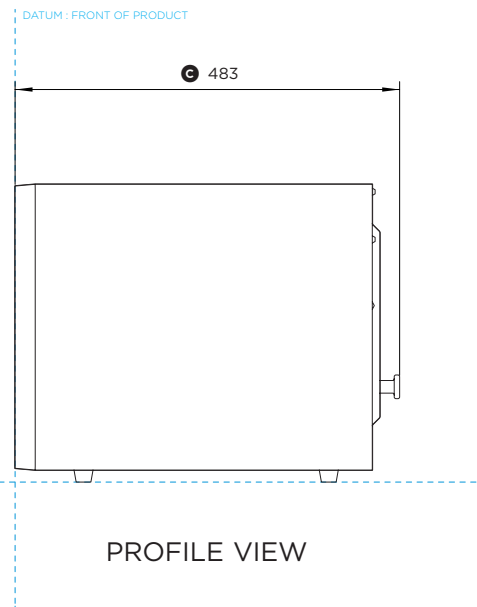
IMPORTANT NOTE: Throughout this guide, dimensions may vary by ±2mm (3/32"). Please read the installation manual for detailed information on installing the product. www.fisherpaykel.com



PLAN VIEW



FRONT VIEW



PROFILE VIEW



Model no:

CMO24SS2 (refer page 1 for imperial measurements)

Product Dimensions	mm
Ⓐ Overall height of microwave	378
Ⓑ Overall width of microwave	626
Ⓒ Overall depth of microwave (from front of panel to back)	483
Ⓓ Depth of front panel	25
Ⓔ Depth of chassis	425
Ⓕ Width of door	507
Ⓖ Width of control panel	116
Ⓜ Height of chassis	362
Ⓨ Height from bottom of chassis to bottom of product	16

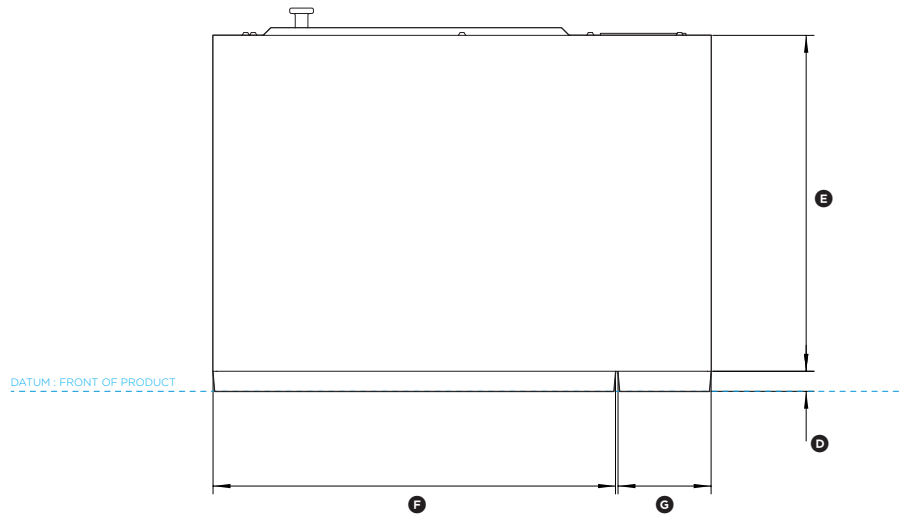
Cavity Dimensions	mm
Overall height of cavity	429
Overall width of cavity	731
Overall depth of cavity	534

INDICATES PRODUCT / CABINETRY DATUM -----

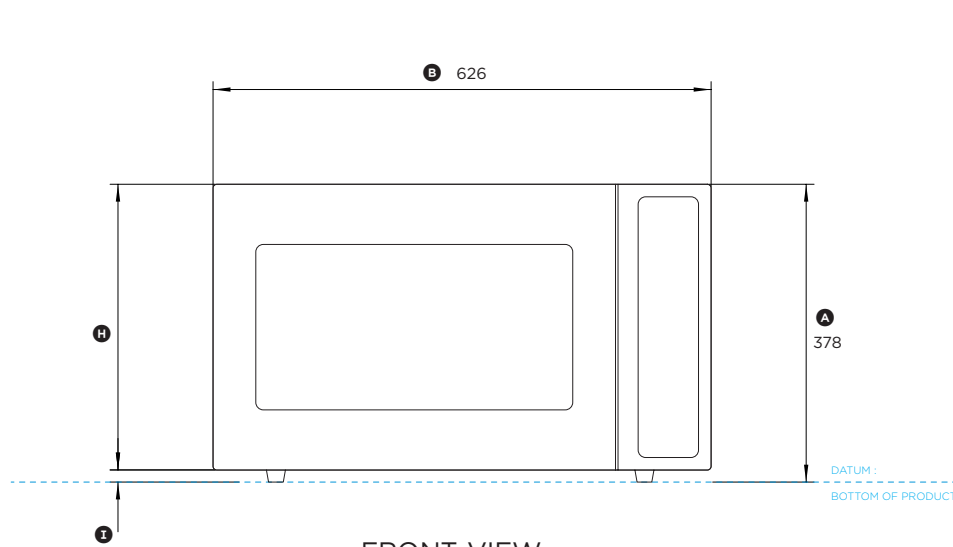
DATE: **21.10.2024**

90001511C

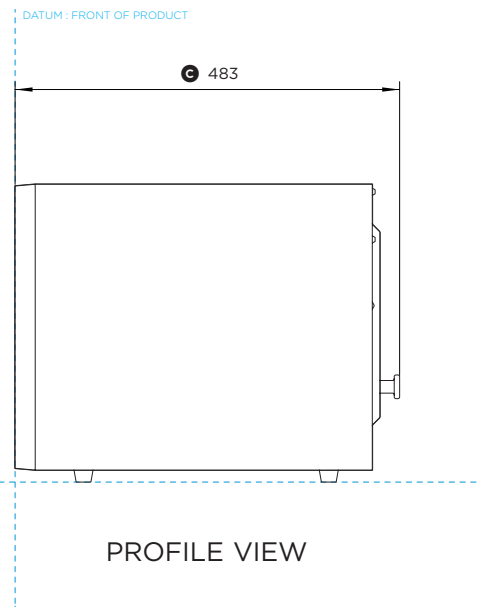
IMPORTANT NOTE: Throughout this guide, dimensions may vary by ±2mm (3/32"). Please read the installation manual for detailed information on installing the product. www.fisherpaykel.com



PLAN VIEW



FRONT VIEW



PROFILE VIEW



Model no:

CMO24SS2 (refer page 1 for imperial measurements)

Product Dimensions	mm
Ⓐ Overall height of microwave	378
Ⓑ Overall width of microwave	629
Ⓒ Overall depth of microwave (from front of panel to back)	483
Ⓓ Depth of front panel	25
Ⓔ Depth of chassis	425
Ⓕ Width of door	507
Ⓖ Width of control panel	116
Ⓜ Height of chassis	362
Ⓨ Height from bottom of chassis to bottom of product	16

Cavity Dimensions	mm
Overall height of cavity	429
Overall width of cavity	731
Overall depth of cavity	536

INDICATES PRODUCT / CABINETRY DATUM -----

DATE: **21.10.2024**

90001511B

IMPORTANT NOTE: Throughout this guide, dimensions may vary by ±2mm (3/32"). Please read the installation manual for detailed information on installing the product. www.fisherpaykel.com